

193184012 SHOWN

MATERIAL NO.	WIRE RANGE		A	B	d1 \varnothing	d2 \varnothing	E	L	mm	
	MCM/AWG	mm ²							t	inch
193180026	2 AWG	26.7-42.4	30.0 1.19	13.5 0.53	9.4 0.37	6.5 0.26	14.0 0.55	38.0 1.50	1.8 0.07	
193180108	1/0 AWG	42.4-60.6	38.7 1.52	16.0 0.63	11.4 0.45	8.4 0.33	18.0 0.71	49.0 1.93	1.8 0.07	
193180110	1/0 AWG	42.4-60.6	38.7 1.52	16.0 0.63	11.4 0.45	10.5 0.41	18.0 0.71	49.0 1.93	1.8 0.07	
193180308	3/0 AWG	76.3-96.3	40.7 1.60	21.8 0.86	14.5 0.57	8.4 0.33	20.0 0.79	49.0 1.93	2.3 0.091	
193180310	3/0 AWG	76.3-96.3	40.7 1.60	21.8 0.86	14.5 0.57	10.5 0.41	20.0 0.79	49.0 1.93	2.3 0.091	
193180312	3/0 AWG	76.3-96.3	40.7 1.60	21.8 0.86	14.5 0.57	13.0 0.51	20.0 0.79	49.0 1.93	2.3 0.091	
193180408	4/0 AWG	96.3-117	41.4 1.63	21.8 0.86	16.4 0.65	8.4 0.33	21.0 0.83	53.0 2.09	2.7 0.11	
193180410	4/0 AWG	96.3-117	41.4 1.63	21.8 0.86	16.4 0.65	10.5 0.41	21.0 0.83	53.0 2.09	2.7 0.11	
193180412	4/0 AWG	96.3-117	41.4 1.63	21.8 0.86	16.4 0.65	13.0 0.51	21.0 0.83	53.0 2.09	2.7 0.11	
193181010	250-300MCM	117-152	49.3 1.94	22.0 0.87	19.5 0.77	10.5 0.41	27.0 1.06	61.0 2.40	3.2 0.13	
193181012	250-300MCM	117-152	49.3 1.94	22.0 0.87	19.5 0.77	13.0 0.51	27.0 1.06	61.0 2.40	3.2 0.13	
193183010	350-450MCM	193-242	53.8 2.12	36.0 1.42	24.0 0.94	10.5 0.41	31.5 1.24	72.5 2.85	4.0 0.16	
193183012	350-450MCM	193-242	53.8 2.12	36.0 1.42	24.0 0.94	13.0 0.51	31.5 1.24	72.5 2.85	4.0 0.16	
193184012	500-600MCM	242-325	67.5 2.66	37.2 1.46	28.0 1.10	13.0 0.51	35.5 1.40	88.0 3.46	4.3 0.17	

- NOTES:
1. MATERIAL: TIN PLATED COPPER
 2. PRODUCT IS ROHS COMPLIANT
 3. TERMINAL IS MARKED AS SHOWN.

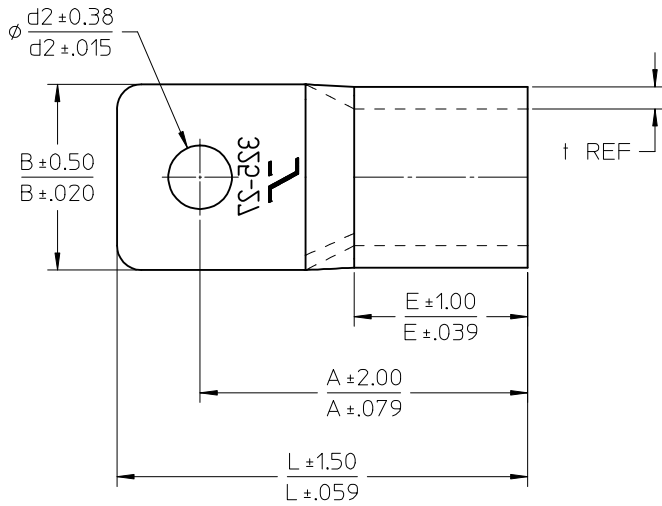
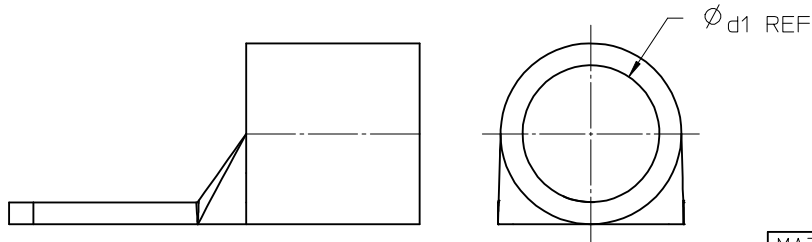
TYPD DIM: 6.5 WAS 8.4
 EC NO: IPGZ013-1768
 DRWN:DMYRICK 2013/05/16
 CHKD:JMACNEIL 2013/05/16
 APPR:JMACNEIL 2013/05/16
 G1
 REV

QUALITY SYMBOLS
 ▼=0
 ▽=0
 DESCRIPTION

GENERAL TOLERANCES (UNLESS SPECIFIED)
 mm INCH
 4 PLACES ± --- ± ---
 3 PLACES ± --- ± ---
 2 PLACES ± --- ± ---
 1 PLACE ± --- ± ---
 ANGULAR ± ---°
 DRAFT WHERE APPLICABLE
 MUST REMAIN WITHIN DIMENSIONS

DIMENSION STYLE
 MM/IN
 DRAWN BY DATE
 MODELL 2009/02/18
 CHECKED BY DATE
 RDEROSS 2009/02/18
 APPROVED BY DATE
 RDEROSS 2009/02/18
 MATERIAL NO.
 SEE CHART
 SIZE B
 THIS DRAWING CONTAINS INFORMATION THAT IS PROPRIETARY TO MOLEX INCORPORATED AND SHOULD NOT BE USED WITHOUT WRITTEN PERMISSION

SCALE
 1:1
 DESIGN UNITS
 METRIC
 THIRD ANGLE PROJECTION
 TITLE
 SL SERIES
 SQUARE TYPE
 2 AWG TO 600 MCM
 MOLEX INCORPORATED
 DOCUMENT NO.
 SD-19318-001
 SHEET NO.
 1 OF 1



MATERIAL NO.	WIRE RANGE		A	B	d1 \varnothing	d2 \varnothing	E	L	mm	
	MCM/AWG	mm ²							t	inch
193180026	2 AWG	26.7-42.4	30.0 1.19	13.5 0.53	9.4 0.37	6.5 0.26	14.0 0.55	38.0 1.50	1.8 0.07	
193180108	1/0 AWG	42.4-60.6	38.7 1.52	16.0 0.63	11.4 0.45	8.4 0.33	18.0 0.71	49.0 1.93	1.8 0.07	
193180110	1/0 AWG	42.4-60.6	38.7 1.52	16.0 0.63	11.4 0.45	10.5 0.41	18.0 0.71	49.0 1.93	1.8 0.07	
193180308	3/0 AWG	76.3-96.3	40.7 1.60	21.8 0.86	14.5 0.57	8.4 0.33	20.0 0.79	49.0 1.93	2.3 0.091	
193180310	3/0 AWG	76.3-96.3	40.7 1.60	21.8 0.86	14.5 0.57	10.5 0.41	20.0 0.79	49.0 1.93	2.3 0.091	
193180312	3/0 AWG	76.3-96.3	40.7 1.60	21.8 0.86	14.5 0.57	13.0 0.51	20.0 0.79	49.0 1.93	2.3 0.091	
193180408	4/0 AWG	96.3-117	41.4 1.63	21.8 0.86	16.4 0.65	8.4 0.33	21.0 0.83	53.0 2.09	2.7 0.11	
193180410	4/0 AWG	96.3-117	41.4 1.63	21.8 0.86	16.4 0.65	10.5 0.41	21.0 0.83	53.0 2.09	2.7 0.11	
193180412	4/0 AWG	96.3-117	41.4 1.63	21.8 0.86	16.4 0.65	13.0 0.51	21.0 0.83	53.0 2.09	2.7 0.11	
193181010	250-300MCM	117-152	49.3 1.94	22.0 0.87	19.5 0.77	10.5 0.41	27.0 1.06	61.0 2.40	3.2 0.13	
193181012	250-300MCM	117-152	49.3 1.94	22.0 0.87	19.5 0.77	13.0 0.51	27.0 1.06	61.0 2.40	3.2 0.13	
193183010	350-450MCM	193-242	53.8 2.12	36.0 1.42	24.0 0.94	10.5 0.41	31.5 1.24	72.5 2.85	4.0 0.16	
193183012	350-450MCM	193-242	53.8 2.12	36.0 1.42	24.0 0.94	13.0 0.51	31.5 1.24	72.5 2.85	4.0 0.16	
193184012	500-600MCM	242-325	67.5 2.66	37.2 1.46	28.0 1.10	13.0 0.51	35.5 1.40	88.0 3.46	4.3 0.17	

193184012 SHOWN

- NOTES:
1. MATERIAL: TIN PLATED COPPER
 2. PRODUCT IS ROHS COMPLIANT
 3. TERMINAL IS MARKED AS SHOWN.

TYPD DIM: 6.5 WAS 8.4
 EC NO: IPGZ013-1768
 DRWN:DMYRICK 2013/05/16
 CHKD:JMACNEIL 2013/05/16
 APPR:JMACNEIL 2013/05/16
 G1
 REV

QUALITY SYMBOLS
 ▼=0
 ▽=0
 DESCRIPTION

GENERAL TOLERANCES (UNLESS SPECIFIED)
 mm INCH
 4 PLACES ± --- ± ---
 3 PLACES ± --- ± ---
 2 PLACES ± --- ± ---
 1 PLACE ± --- ± ---
 ANGULAR ± ---°
 DRAFT WHERE APPLICABLE
 MUST REMAIN WITHIN DIMENSIONS

DIMENSION STYLE
 MM/IN
 DRAWN BY DATE
 MODELL 2009/02/18
 CHECKED BY DATE
 RDEROSS 2009/02/18
 APPROVED BY DATE
 RDEROSS 2009/02/18
 MATERIAL NO.
 SEE CHART
 SIZE B
 THIS DRAWING CONTAINS INFORMATION THAT IS PROPRIETARY TO MOLEX INCORPORATED AND SHOULD NOT BE USED WITHOUT WRITTEN PERMISSION

SCALE
 1:1
 DESIGN UNITS
 METRIC
 THIRD ANGLE PROJECTION
 TITLE
 SL SERIES
 SQUARE TYPE
 2 AWG TO 600 MCM
 MOLEX INCORPORATED
 DOCUMENT NO.
 SD-19318-001
 SHEET NO.
 1 OF 1