

MATERIAL NO.	WIRE RANGE		L	Dø	dø	t
	MCM	mm <sup>2</sup>				
193190004	500-600	242.3 - 325	72.0 2.83	37.0 1.46	28.0 1.10	4.5 0.18
193190003	350-450	192.6 - 242.3	63.0 2.48	32.0 1.26	24.0 0.94	4.0 0.16
193190002	300-350	152 - 192.6	57.0 2.24	28.0 1.10	21.0 0.83	3.5 0.14
193190001	250-300	117.2 - 152	54.0 2.13	25.9 1.02	19.5 0.77	3.2 0.13

NOTES:

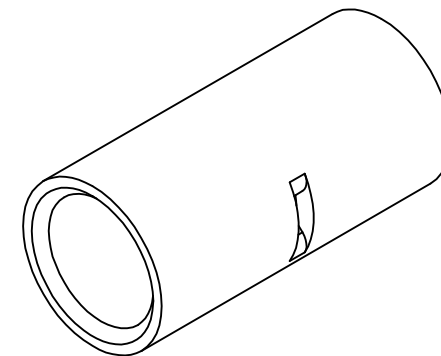
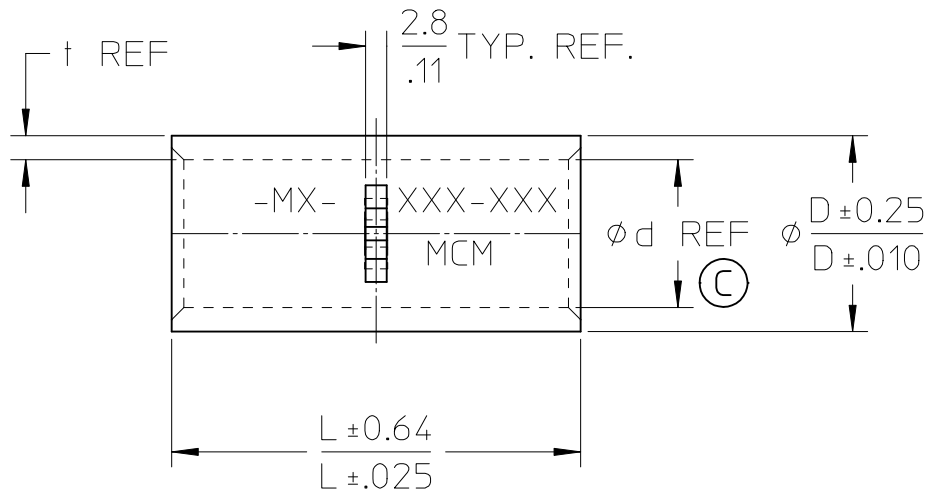
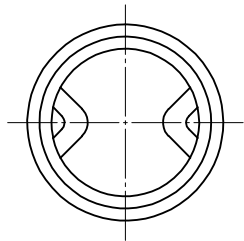
- MATERIAL:  
TIN PLATED COPPER
- TERMINALS MARKED  
AS SHOWN W/  
CORRESPONDING WIRE  
SIZE

ENTER DESCRIPTION EC NO: WNAZ009-0806 DRWN: MOELLER 2009/06/05 CHKD: 2009/06/08 APPR: RDEROSS 2009/06/08	QUALITY SYMBOLS
	=0 =0

GENERAL TOLERANCES (UNLESS SPECIFIED)	
	mm INCH
4 PLACES	± --- ± ---
3 PLACES	± --- ± ---
2 PLACES	± --- ± ---
1 PLACE	± --- ± ---
ANGULAR ±1/2°	
DRAFT WHERE APPLICABLE MUST REMAIN WITHIN DIMENSIONS	

DIMENSION STYLE MM/IN	
DRAWN BY	DATE
T. MOELLER	2009/02/04
CHECKED BY	DATE
T. MOELLER	2009/02/04
APPROVED BY	DATE
R. DEROSS	2009/02/04
MATERIAL NO.	
SEE CHART	

SCALE 1:1	DESIGN UNITS METRIC	THIRD ANGLE PROJECTION
TITLE BRAZED SEAM BUTT CONNECTORS (250-600 MCM)		
MOLEX INCORPORATED		
DOCUMENT NO. SD-19319-001	SHEET NO. 1 OF 1	
THIS DRAWING CONTAINS INFORMATION THAT IS PROPRIETARY TO MOLEX INCORPORATED AND SHOULD NOT BE USED WITHOUT WRITTEN PERMISSION		



MATERIAL NO.	WIRE RANGE		L	Dø	dø	t
	MCM	mm <sup>2</sup>				
193190004	500-600	242.3 - 325	72.0 2.83	37.0 1.46	28.0 1.10	4.5 0.18
193190003	350-450	192.6 - 242.3	63.0 2.48	32.0 1.26	24.0 0.94	4.0 0.16
193190002	300-350	152 - 192.6	57.0 2.24	28.0 1.10	21.0 0.83	3.5 0.14
193190001	250-300	117.2 - 152	54.0 2.13	25.9 1.02	19.5 0.77	3.2 0.13

NOTES:

- MATERIAL:  
TIN PLATED COPPER
- TERMINALS MARKED AS SHOWN W/  
CORRESPONDING WIRE SIZE

ENTER DESCRIPTION EC NO: WNAZ009-0806 DRWN:MOELL 2009/06/05 CHKD: 2009/06/08 APPR:RDEROSS 2009/06/08	QUALITY SYMBOLS
	=0 =0

GENERAL TOLERANCES (UNLESS SPECIFIED)	
	mm INCH
4 PLACES	± --- ± ---
3 PLACES	± --- ± ---
2 PLACES	± --- ± ---
1 PLACE	± --- ± ---
ANGULAR ±1/2°	
DRAFT WHERE APPLICABLE MUST REMAIN WITHIN DIMENSIONS	

DIMENSION STYLE MM/IN	
DRAWN BY	DATE
T. MOELLER	2009/02/04
CHECKED BY	DATE
T. MOELLER	2009/02/04
APPROVED BY	DATE
R. DEROSS	2009/02/04
MATERIAL NO.	
SEE CHART	

SCALE 1:1	DESIGN UNITS METRIC	THIRD ANGLE PROJECTION
TITLE BRAZED SEAM BUTT CONNECTORS (250-600 MCM)		
MOLEX INCORPORATED		
DOCUMENT NO. SD-19319-001	SHEET NO. 1 OF 1	
THIS DRAWING CONTAINS INFORMATION THAT IS PROPRIETARY TO MOLEX INCORPORATED AND SHOULD NOT BE USED WITHOUT WRITTEN PERMISSION		