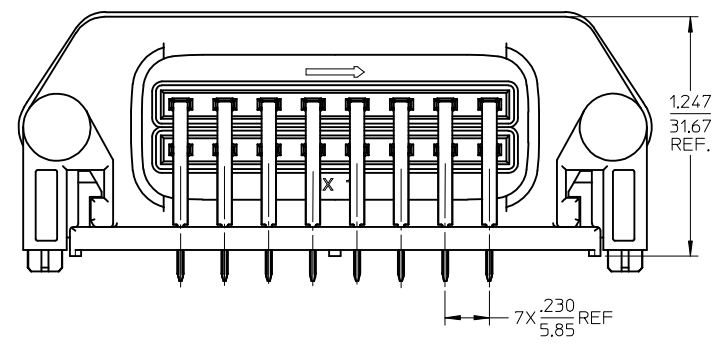
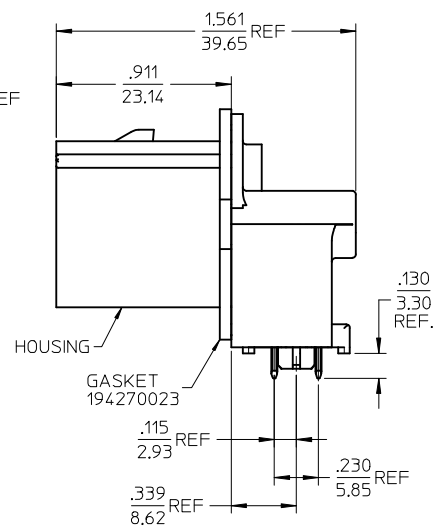
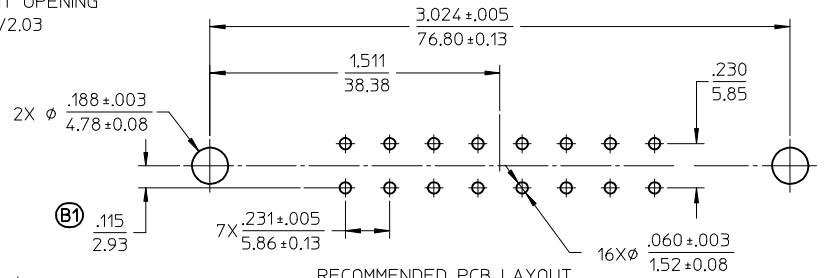


RECOMMENDED PANEL MOUNT OPENING
MAX PANEL THK .080/2.03



- NOTES:
- MATERIALS:
HOUSING: POLYESTER (PBT), GLASS FILLED, UL94 V-0,
COLOR: BLACK
TERMINALS: COPPER ALLOY
 - FINISHES: 1. TIN ONLY: 100µM TIN OVER 50µM NICKEL
2. TIN/GOLD: 30µM SELECT GOLD (CONTACT MATING AREA),
100µM SELECT TIN (PCB TAIL AREA) OVER 50µM NICKEL OVERALL.
 - PRODUCT SPECIFICATION: PS-19427-001.
 - PACKAGING SPECIFICATION: PK-19427-001.
 - MATES WITH: 19418 SERIES RECEPTACLE ASSEMBLIES.
 - RECOMMENDED MOUNTING HARDWARE: (2)#10 X .62/18.9 LONG PLASTIC
THREAD CUTTING SCREWS. RECOMMENDED TORQUE 15-17 IN.-LBS.
SUGGESTED SOURCE: ITW SHAKEPROOF INDUSTRIAL BOSSCREW OR EQUIVALENT.

CORRECT DIM ERROR EC NO: IPG2017-1118 DRAWN: BRUPERT CHKD: APPR: F. MURPHY	2017/06/06	2017/07/22
	DESCRIPTION	

QUALITY SYMBOLS	GENERAL TOLERANCES (UNLESS SPECIFIED)
▽=0	mm INCH
▽=0	4 PLACES ± --- ± ---
	3 PLACES ± --- ± .015
	2 PLACES ± 0.38 ± ---
	1 PLACE ± --- ± ---
	ANGULAR ± 1 °
	DRAFT WHERE APPLICABLE MUST REMAIN WITHIN DIMENSIONS

DIMENSION STYLE IN/MM		SCALE 2:1	
DRAWN BY JLOMASTRO	DATE 04/06/10	TITLE 16 WAY RIGHT ANGLE HEADER ASSEMBLY	
CHECKED BY JPAWLICKI	DATE 04/06/14	MATERIAL NO. SEE CHART	
APPROVED BY RDEROSS	DATE 04/06/23	DOCUMENT NO. SD-19427-025	
SIZE C		SHEET NO. 1 OF 1	

MATERIAL NO. 194270049	PLATING TIN
194270102	SELECT GOLD/TIN
MATERIAL NO. SEE CHART	
DOCUMENT NO. SD-19427-025	
SHEET NO. 1 OF 1	

THIS DRAWING CONTAINS INFORMATION THAT IS PROPRIETARY TO MOLEX INCORPORATED AND SHOULD NOT BE USED WITHOUT WRITTEN PERMISSION