

**PLEASE CHECK WWW.MOLEX.COM FOR LATEST PART INFORMATION**

**Part Number:** [0194280016](#)  
**Status:** **Active**  
**Description:** 5.84mm Pitch MX150L™ Vertical PCB Header, Dual Row, Low Profile, 16 Circuits

**Documents:**

[3D Model](#) [RoHS Certificate of Compliance \(PDF\)](#)  
[Drawing \(PDF\)](#) [Product Literature \(PDF\)](#)  
[Product Specification PS-19427-001 \(PDF\)](#)

**Agency Certification**

UL E152602

**General**

Product Family PCB Headers  
 Series [19428](#)  
 Application Power, Wire-to-Board  
 Comments Low Profile  
 Product Literature Order No 987650-2181  
 Product Name MX150L™

**Physical**

Breakaway No  
 Circuits (Loaded) 16  
 Circuits (maximum) 16  
 Durability (mating cycles max) 25  
 Flammability 94V-0  
 Glow-Wire Compliant No  
 Lock to Mating Part Yes  
 Material - Plating Mating Tin  
 Material - Plating Termination Tin  
 Number of Rows 2  
 Orientation Vertical  
 PC Tail Length 3.30mm  
 PCB Locator Yes  
 PCB Retention Yes  
 PCB Thickness - Recommended 1.60mm  
 Packaging Type Tray  
 Pitch - Mating Interface 5.84mm  
 Polarized to Mating Part Yes  
 Polarized to PCB Yes  
 Shrouded Fully  
 Stackable No  
 Surface Mount Compatible (SMC) No  
 Temperature Range - Operating -40°C to +125°C  
 Termination Interface: Style Through Hole

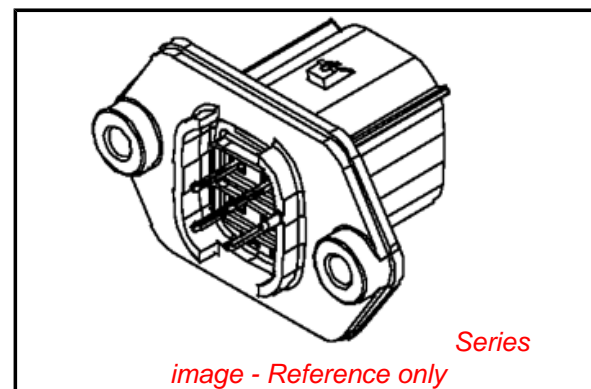
**Electrical**

Current - Maximum per Contact 18A  
 Voltage - Maximum 600V

**Material Info**

**Reference - Drawing Numbers**

Product Specification PS-19427-001  
 Sales Drawing SD-19428-008



**EU RoHS**

**ELV and RoHS  
 Compliant**  
**REACH SVHC**  
 Not Reviewed  
**Low-Halogen Status**  
**Not Reviewed**

**China RoHS**



**Need more information on product  
 environmental compliance?**

Email [productcompliance@molex.com](mailto:productcompliance@molex.com)  
 For a multiple part number RoHS Certificate of  
 Compliance, [click here](#)

Please visit the [Contact Us](#) section for any  
 non-product compliance questions.

**Search Parts in this Series**

[19428Series](#)

**Mates With**

[19418 Receptacle Assemblies](#)

This document was generated on 03/14/2012

**PLEASE CHECK [WWW.MOLEX.COM](http://WWW.MOLEX.COM) FOR LATEST PART INFORMATION**