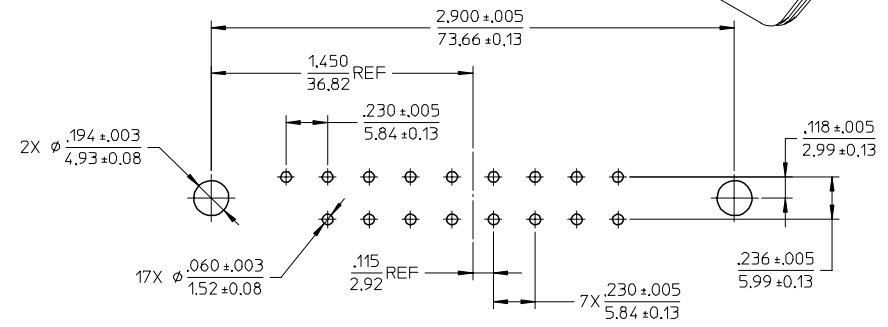
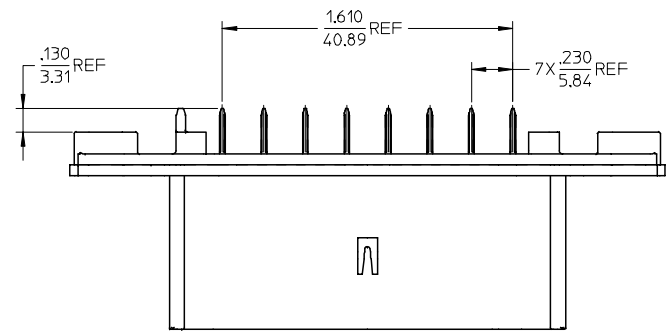
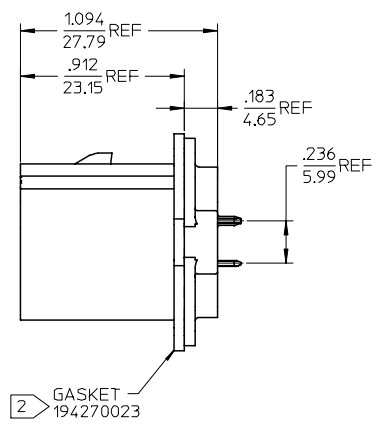
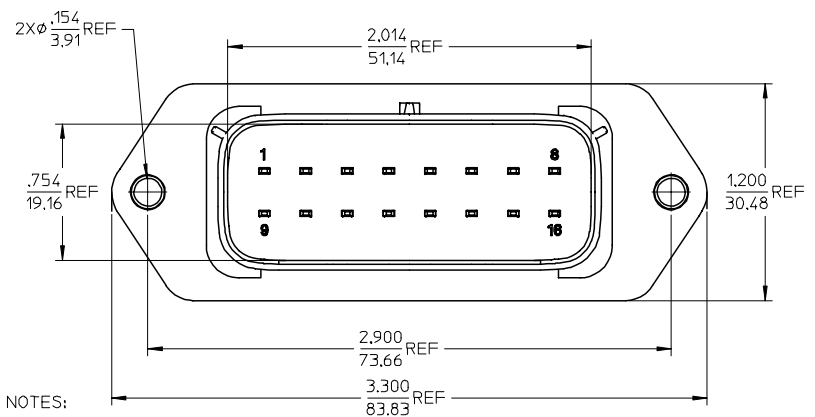


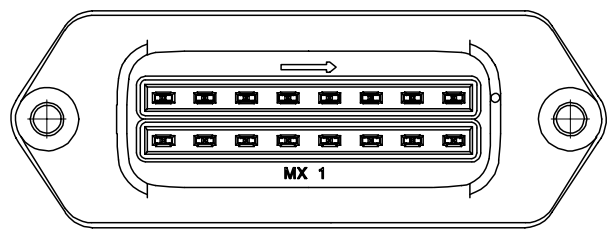
RECOMMENDED PANEL CUTOUT
MAX PANEL THICKNESS .080/2.03



RECOMMENDED PCB LAYOUT
COMPONENT VIEW
TOLERANCES ARE NON-ACCUMULATIVE



2 GASKET
194270023



MATERIAL NUMBER	TERMINAL PLATING
194280016	TIN
194280032	SELECT GOLD/TIN

- NOTES:
- ASSEMBLY PACKAGED PER PK-19428-001.
 - GASKET SHOWN ASSEMBLED FOR ILLUSTRATION. ONLY. GASKET IS SUPPLIED IN BULK AND ASSEMBLED TO CONNECTOR BY END USER.
 - MATERIAL: HOUSING: 30%GF POLYESTER 94V-0 BLACK
TERMINALS: COPPER ALLOY.
PLATING: 1. TIN ONLY: 100µm TIN OVER 50µm NICKEL
2. GOLD/TIN: 30µm SELECT GOLD (CONTACT MATING AREA) OVER 100µm TIN OVERALL, OVER 50µm NICKEL OVERALL.
 - HEADER ASSEMBLY DESIGNED TO MATE TO 19418 SERIES RECEPTACLE ASSEMBLIES.

EC NO: ETC2004-0215 DRWN: DMYRICK 2004/07/24 CHKD: JPAWLICK 2004/07/24 APPR: RDEROSS 2004/07/24	QUALITY SYMBOLS	GENERAL TOLERANCES (UNLESS SPECIFIED) 4 PLACES ± --- ± --- 3 PLACES ± --- ± .015 2 PLACES ± 0.38 ± --- 1 PLACE ± --- ± --- ANGULAR ± 1 ° DRAFT WHERE APPLICABLE MUST REMAIN WITHIN DIMENSIONS	SCALE 2:1	DESIGN UNITS INCH	THIRD ANGLE PROJECTION	REVISE ON CAD ONLY	
	DESCRIPTION		DIMENSION STYLE IN/MM	TITLE 16-WAY STRAIGHT HEADER ASSEMBLY, SHORT VERSION			
	REV		APPROVED BY RDEROSS	DATE 04/06/16	MATERIAL NO. SEE CHART SD-19428-008		
	1		CHECKED BY JPAWLICK	DATE 04/06/16	SHEET NO. 1 OF 1		
THIS DRAWING CONTAINS INFORMATION THAT IS PROPRIETARY TO MOLEX INCORPORATED AND SHOULD NOT BE USED WITHOUT WRITTEN PERMISSION							