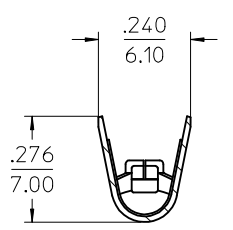
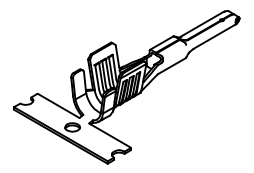
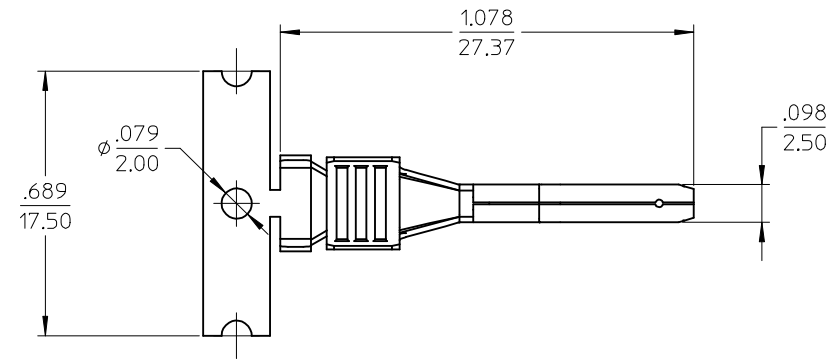
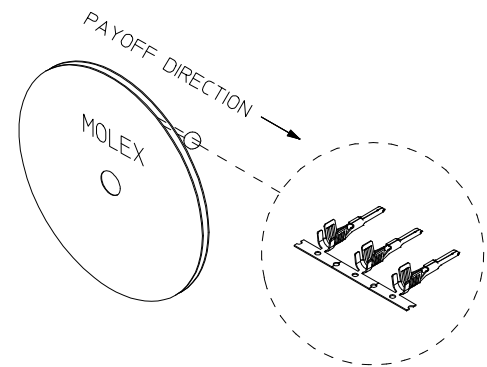
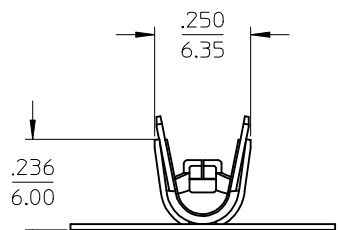


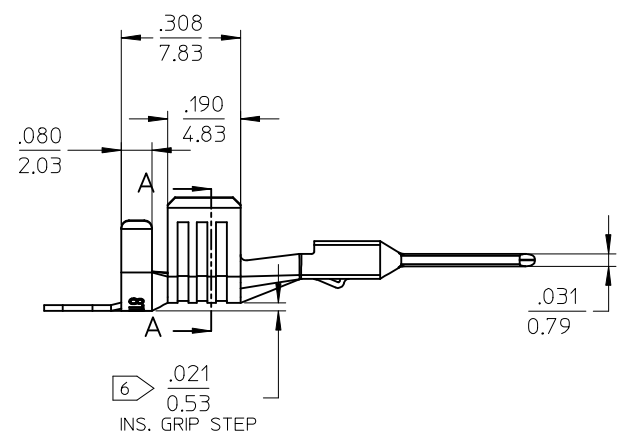
STRIP MATERIAL NUMBER	LOOSE PIECE MATERIAL NUMBER	AWG SIZE	WIRE INSULATION DIAMETER
194310056	194310057	8 TW	.153-.191" (3.90-4.85MM)



SECTION A-A
CONDUCTOR GRIP



INSULATION GRIP



- NOTES:
1. MATERIAL: COPPER ALLOY.
 2. FINISH: PREPLATED AND REFLOWED OVERALL. 100μ TIN OVER 50μ NICKEL, MINIMUM.
 3. DO NOT USE TERMINALS WITH 19433**** PLUG HOUSINGS.
 4. PACKAGING SPECIFICATION: PK-19431-001 FOR LOOSE TERMINALS. STRIP PARTS ARE REELED 2000 TERMINALS PER REEL. (B)
 5. APPLICATION TOOLING AND CRIMP SPECIFICATIONS: CONSULT FACTORY
 - 6 INSULATION GRIP STEP DIMENSION NOT TO BE ALTERED BY CRIMP PROCESS.
 7. ALL DIMENSIONS ARE REFERENCE.

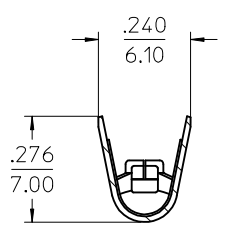
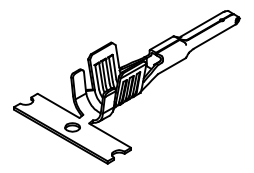
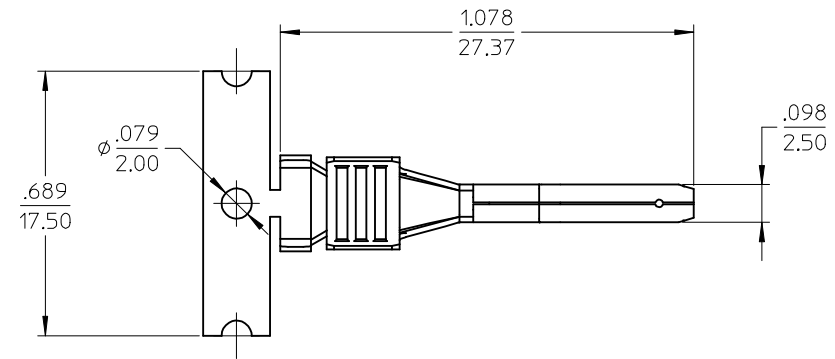
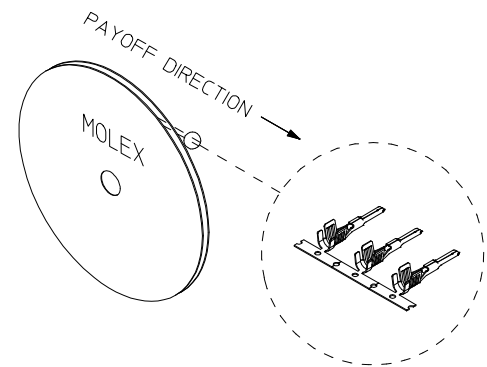
CHG REEL QTY FROM 2500	EC NO: IPG2015-0205	2014/07/31	DESCRIPTION
	DRW:WLEUNG	2014/07/31	
	CHKD:TWOLDEGE	2014/08/12	
	APPR:WOODMAN	2014/08/12	
REV			

QUALITY SYMBOLS	▼=0
	▽=0
GENERAL TOLERANCES (UNLESS SPECIFIED)	
	mm
	INCH
4 PLACES	± .010
3 PLACES	± .010
2 PLACES	± .020
1 PLACE	± .025
0 PLACE	± .030
ANGULAR ± 3°	
DRAFT WHERE APPLICABLE MUST REMAIN WITHIN DIMENSIONS	

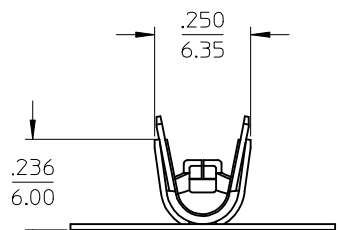
DIMENSION STYLE	
IN/MM	
DRAWN BY	DATE
WLEUNG	2012/11/26
CHECKED BY	DATE
BRUPERT	2013/09/06
APPROVED BY	DATE
JFMURPHY	2013/12/26
MATERIAL NO.	
SEE CHART	

SCALE	DESIGN UNITS	THIRD ANGLE PROJECTION
4:1	INCH	
TITLE		
MX150L MALE TERMINAL 8AWG TW (THIN WALL INSULATION)		
molex		
DOCUMENT NO.		SHEET NO.
SD-19431-003		1 OF 1
THIS DRAWING CONTAINS INFORMATION THAT IS PROPRIETARY TO MOLEX INCORPORATED AND SHOULD NOT BE USED WITHOUT WRITTEN PERMISSION		

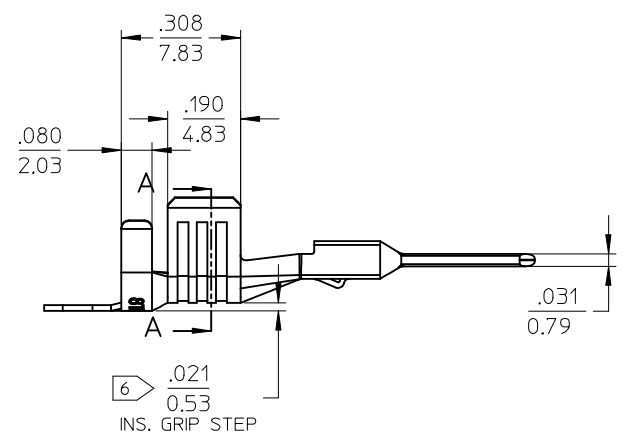
STRIP MATERIAL NUMBER	LOOSE PIECE MATERIAL NUMBER	AWG SIZE	WIRE INSULATION DIAMETER
194310056	194310057	8 TW	.153-.191" (3.90-4.85MM)



SECTION A-A
CONDUCTOR GRIP



INSULATION GRIP



- NOTES:
1. MATERIAL: COPPER ALLOY.
 2. FINISH: PREPLATED AND REFLOWED OVERALL. 100μ TIN OVER 50μ NICKEL, MINIMUM.
 3. DO NOT USE TERMINALS WITH 19433**** PLUG HOUSINGS.
 4. PACKAGING SPECIFICATION: PK-19431-001 FOR LOOSE TERMINALS. STRIP PARTS ARE REELED 2000 TERMINALS PER REEL. (B)
 5. APPLICATION TOOLING AND CRIMP SPECIFICATIONS: CONSULT FACTORY
 - 6 INSULATION GRIP STEP DIMENSION NOT TO BE ALTERED BY CRIMP PROCESS.
 7. ALL DIMENSIONS ARE REFERENCE.

CHG REEL QTY FROM 2500	EC NO: IPG2015-0205	2014/07/31	DESCRIPTION
	DRW:WLEUNG	2014/07/31	
	CHKD:TWOLDEGE	2014/08/12	
	APPR:WOODMAN	2014/08/12	
REV			

QUALITY SYMBOLS	▼=0
	▽=0
GENERAL TOLERANCES (UNLESS SPECIFIED)	
	mm INCH
4 PLACES	± .010 ± .004
3 PLACES	± .010 ± .004
2 PLACES	± .025 ± .010
1 PLACE	± 0.5 ± .020
0 PLACE	± .010 ± .004
ANGULAR ± 3°	
DRAFT WHERE APPLICABLE MUST REMAIN WITHIN DIMENSIONS	

DIMENSION STYLE		SCALE	DESIGN UNITS	THIRD ANGLE PROJECTION
IN/MM		4:1	INCH	
DRAWN BY	DATE	TITLE		
WLEUNG	2012/11/26	MX150L MALE TERMINAL		
CHECKED BY	DATE	8AWG TW		
BRUPERT	2013/09/06	(THIN WALL INSULATION)		
APPROVED BY	DATE	molex		
JFMURPHY	2013/12/26			
MATERIAL NO.		DOCUMENT NO.	SHEET NO.	
SEE CHART		SD-19431-003	1 OF 1	

THIS DRAWING CONTAINS INFORMATION THAT IS PROPRIETARY TO MOLEX INCORPORATED AND SHOULD NOT BE USED WITHOUT WRITTEN PERMISSION