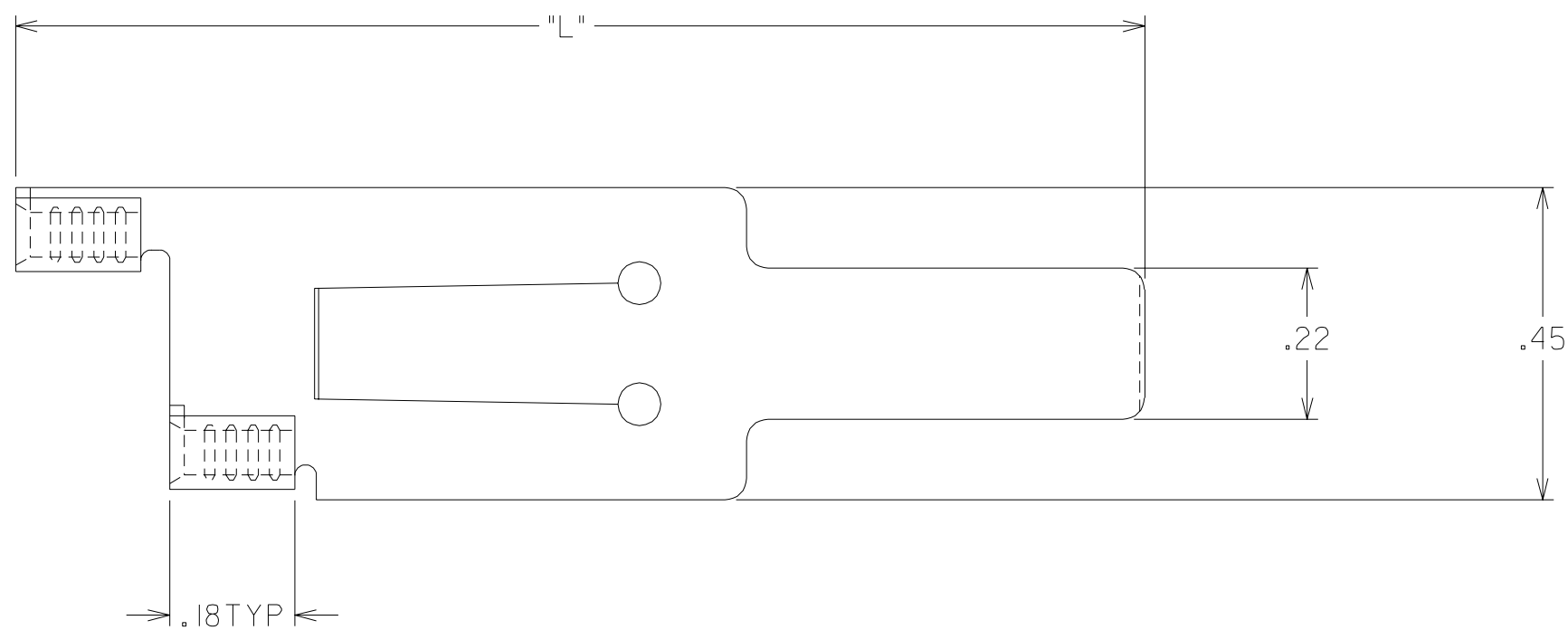
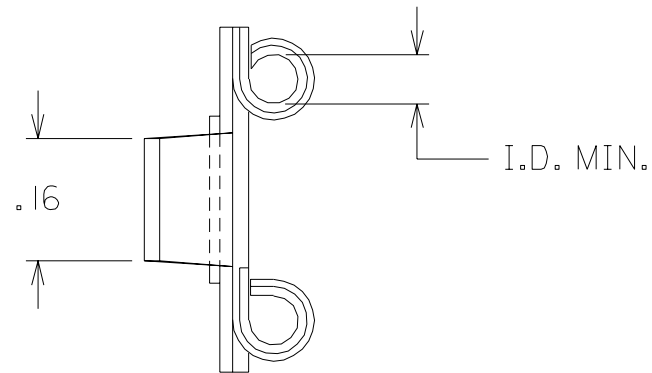
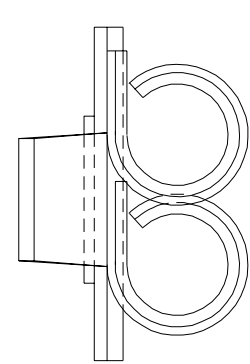


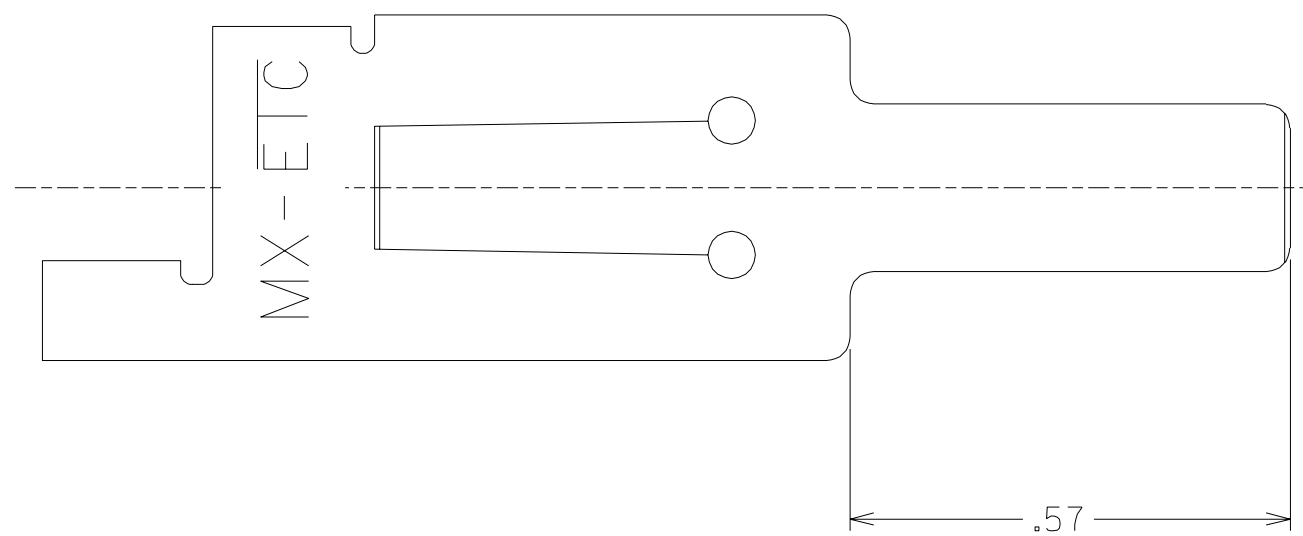
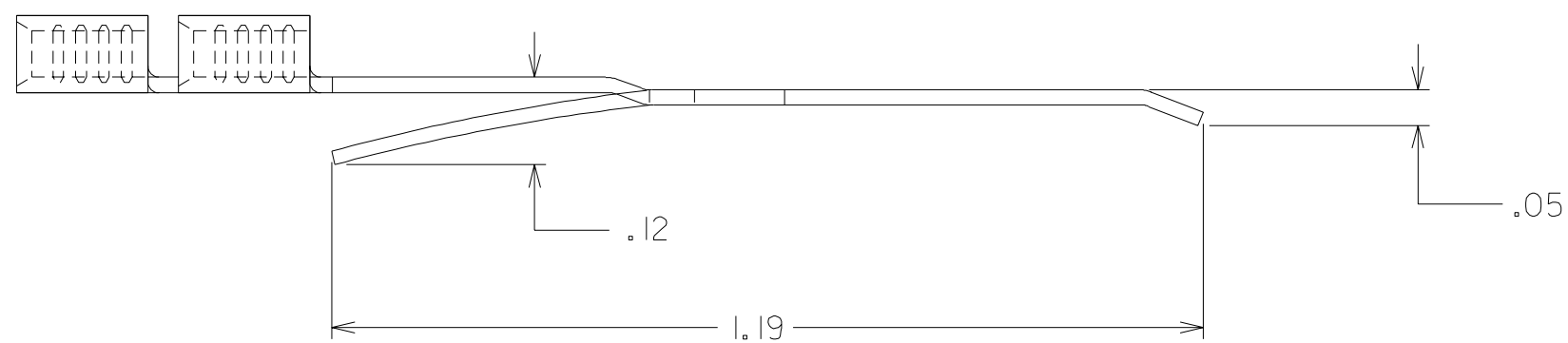
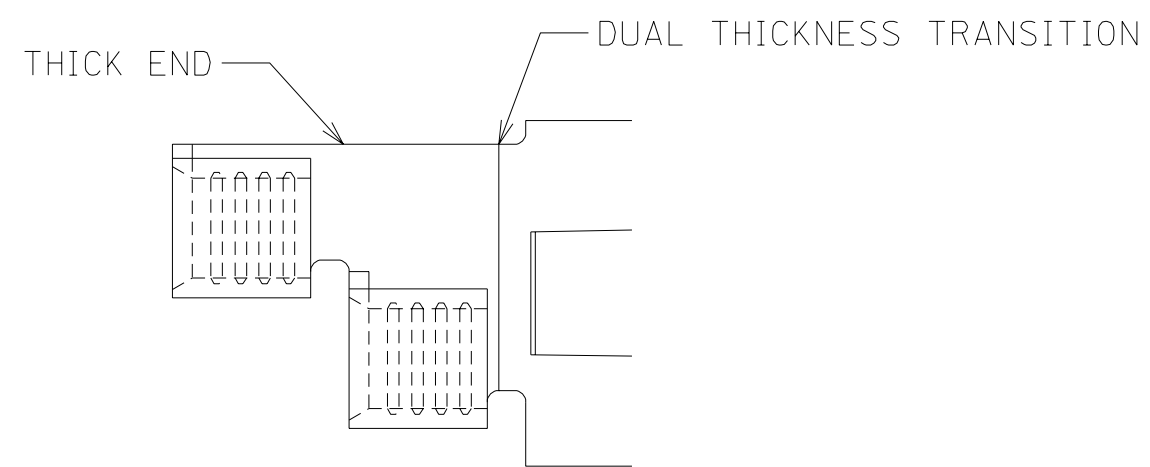
CUSTOMER PART NO.	PART NO.	"L" MAX. ±.015	I.D. MIN.	MATERIAL THICKNESS	WIRE SIZE
RT-2016	19702-4001	1.63	.060	.021	AWG 20-16
RT-1410	19702-4101	1.66	.128	DUAL THICKNESS .021/.026	AWG 14-10

- NOTES:  
 1. MATERIAL: PHOSBRONZE.  
 2. PLATING: SILVER.  
 3. BARREL BRAZED CLOSED.  
 4. MATERIAL THICKNESS: SEE CHART.

AWG 14-10 VIEW



DUAL THICKNESS DETAIL



LTR.	REVISIONS
B-2	LOAD INTO WM ETC2003-0200 03-02-10 BRE
B-1	19702-4001 WAS -4000; 19702-4101 WAS -4100 ECN70887 7/1 DAY
B	ADD COLUMN TO CHART ECN60601 11/96 JH
A	RELEASE CUSTOMER DRAWING ECN60593 10/25 JH

CUSTOMER DRAWING

DIMENSIONS SHOWN (METRIC) INCH	
UNLESS OTHERWISE SPECIFIED TOLERANCES: ANGULAR ± 1/2°	
INCH	METRIC
3 PLACE ± .005 ± ---	± ---
2 PLACE ± .01 ± 0.13	± 0.13
1 PLACE ± --- ± 0.25	± 0.25

DRAFT WHERE APPLICABLE MUST REMAIN WITHIN DIMENSIONS

REVISE ONLY ON CAD SYSTEM	
TITLE	
RAILROAD RELAY TERMINAL CUSTOMER DRAWING	
<b>ETC INC.</b> PINELLAS PARK, FLA. 33781 U.S.A.	SHEET NO. DATE 96/10/23
PART NO. <b>SEE CHART</b>	DRWG. NO. <b>19702400</b>
FILE NAME 19702400 CST	DIV. SIZE C

THIS DRAWING CONTAINS INFORMATION THAT IS PROPRIETARY TO MOLEX-ETC INC. AND SHOULD NOT BE USED WITHOUT WRITTEN PERMISSION.