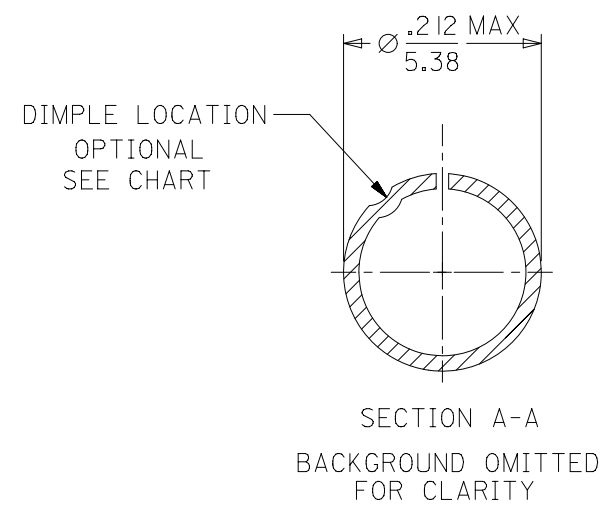
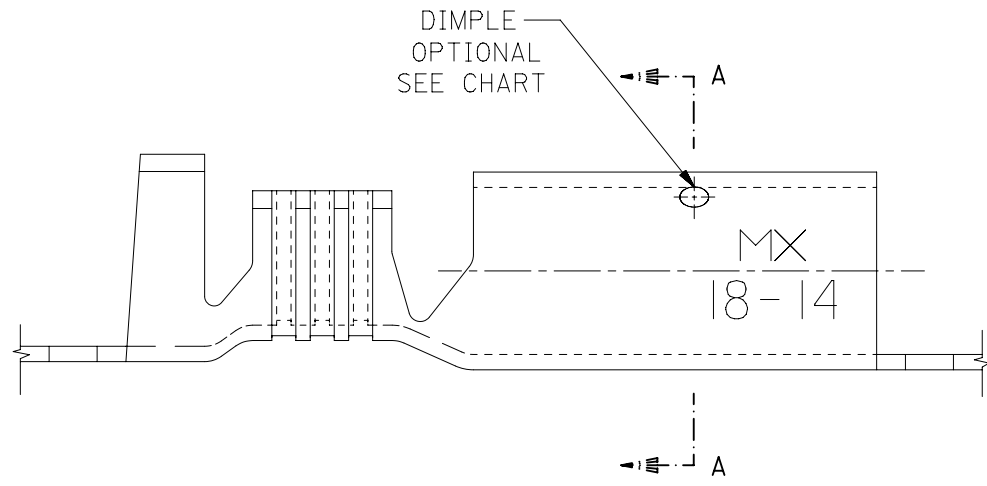
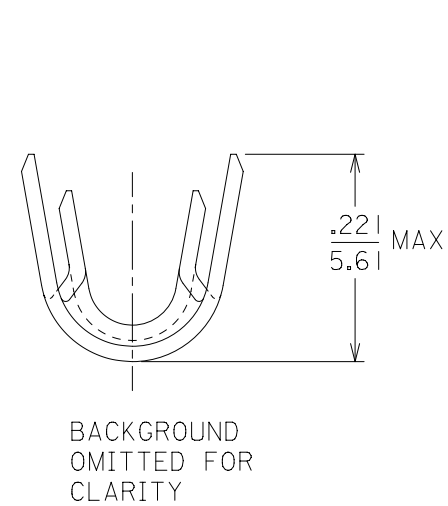
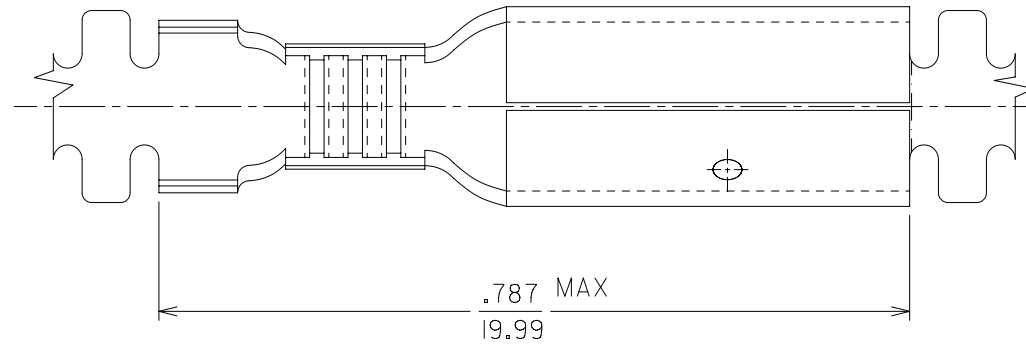


MATERIAL NO.	ENG NUMBER	DESCRIPTION	FINISH
197234402	19723-4402	CONTINUOUS STRIP WITH DIMPLE	ELECTRO-TIN
197234403	19723-4403	CONTINUOUS STRIP WITHOUT DIMPLE	



SALES DRAWING

- NOTES:
1. MATERIAL: BRASS
  2. FINISH: SEE CHART
  3. PACKING QTY. 6000 PER REEL.

THIS DRAWING CONTAINS INFORMATION THAT IS PROPRIETARY TO MOLEX ELECTRONIC TECHNOLOGIES, LLC AND SHOULD NOT BE USED WITHOUT WRITTEN PERMISSION									
DIMENSION UNITS <b>IN/MM</b>		SCALE <b>5:1</b>		CURRENT REV DESC: OBSOLETED PART NO					
GENERAL TOLERANCES (UNLESS SPECIFIED)				EC NO: 628886		2019/10/10		<b>molex</b>	
				DRWN: VLOKESHA		2020/01/13			
				CHK'D: GGA		2020/01/13		AVIKRIMP FEMALE	
				APPR: GGA		2020/01/13		BULLET RECEPTACLE 18 - 14 AWG CHAIN STAMPED	
				INITIAL REVISION:				PRODUCT CUSTOMER DRAWING	
				DRWN: BRE		2002/06/28		DOCUMENT NUMBER	
				APPR: RWD		2002/06/28		SD-19723-440	
DRAFT WHERE APPLICABLE MUST REMAIN WITHIN DIMENSIONS				THIRD ANGLE PROJECTION		DRAWING		SERIES	
				B-SIZE		19723		MATERIAL NUMBER	
				SEE TABLE		GENERAL MARKET		CUSTOMER	
								SHEET NUMBER	
								1 OF 1	