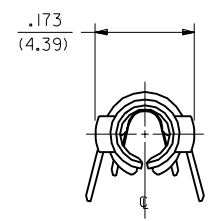
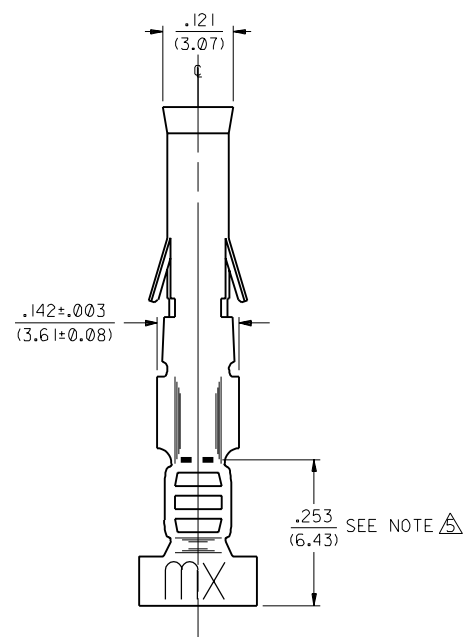
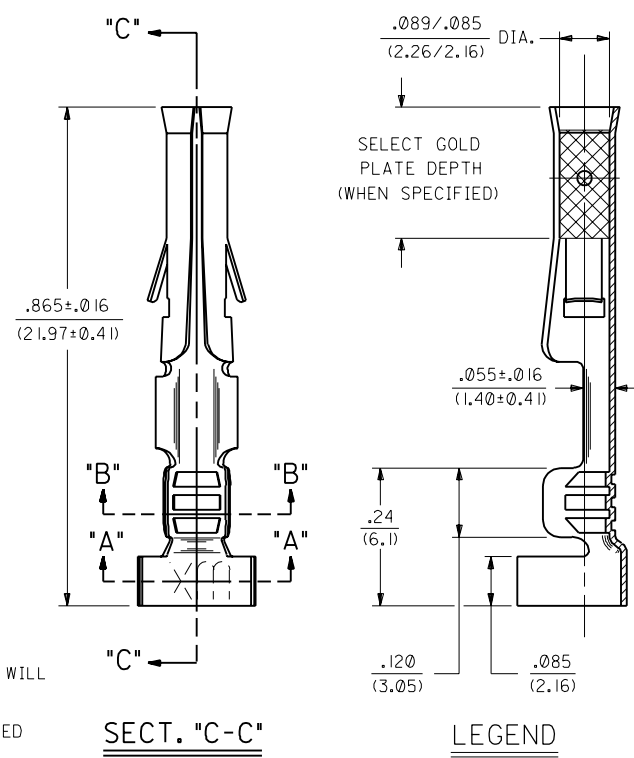
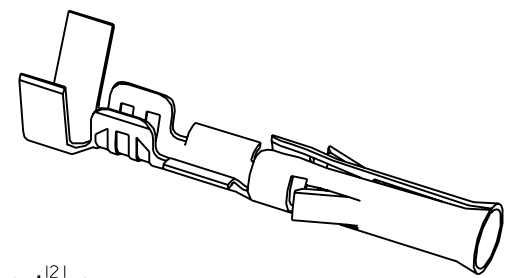
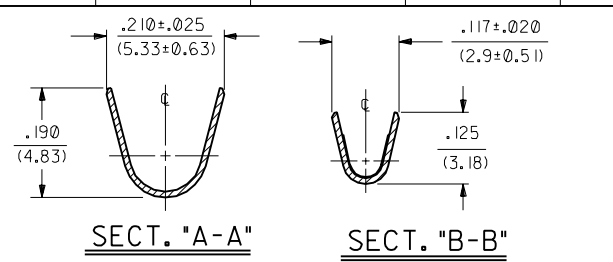


PART NO.	ENG. NO.	
02-09-1103	1189-(P90)IL	OBSOLETE
02-09-1101	1189-(P90)I	OBSOLETE
02-09-5111	1189-(P59)IL	
02-09-5102	1189-(P59)I	
02-09-5106	1189-(P550)IL	
02-09-5100	1189-(P550)I	
NOT TOOLED	1189-(P558)IL	
NOT TOOLED	1189-(P558)I	



- NOTES:
1. TERMINAL FOR USE WITH .093/(2.36) SERIES HOUSINGS AND WILL ACCEPT 14 THRU 20 AWG WIRE.
 2. INSERTION FORCE: 3.5 LBS. MAX. WHEN TERMINAL IS INSERTED INTO AN .093 SERIES HOUSING.
 3. RETENTION: 20 LBS. MIN. FROM HOUSING.
 4. THIS PART CONFORMS TO PROD. SPEC. 02-09.
- △ DIMENSION FROM THE END OF TERMINAL TO THE END OF THE BRUSH ON THE WIRE CRIMPED INTO THE TERMINAL.

- FINISH CODES:
- 901 HOT TIN DIP .000020/(0.0005) MIN.
 - 914 HOT TIN-LEAD DIP .000040/(0.0010) MIN.
 - 565 SELECT GOLD PLATE .000020/(0.0005) MIN. IN CONTACT AREA, OVER .000030/(0.00076) MIN. NICKEL OVERALL WITH .000010/(0.00025) MAX. GOLD FLASH OVERALL.
 - 591 SELECT GOLD PLATE .000050/(0.00127) MIN. IN CONTACT AREA, OVER .000050/(0.00127) MIN. NICKEL OVERALL WITH .000010/(0.00025) MAX. GOLD FLASH OVERALL.
 - 550 SELECT GOLD PLATE .000015/(0.00038) MIN. IN CONTACT AREA, OVER .000030/(0.00076) MIN. NICKEL OVERALL WITH .000010/(0.00025) MAX. GOLD FLASH OVERALL.
 - 558 SELECT GOLD PLATE .000030/(0.00076) MIN. IN CONTACT AREA, OVER .000050/(0.00127) MIN. NICKEL OVERALL WITH .000010/(0.00025) MAX. GOLD FLASH OVERALL.

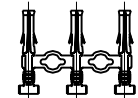
SECT. "C-C"

LEGEND

1189-(****)*
 P=PREPLATE BLANK=POSTPLATE
 FORM BLANK=CHAIN L=LOOSE
 FINISH CODE

MATERIAL:
 CARTRIDGE BRASS, ALLOY *C26000,
 .010/(0.25) THICK, SPRING TEMPER.

CHAIN FORM FULL SCALE



DIMENSIONS SHOWN (METRIC) INCH UNLESS OTHERWISE SPECIFIED TOLERANCES ANGULAR ± 1/2°		▽ = 0 ▽ = 0		REVISE ONLY ON CAD SYSTEM	
INCH METRIC		TITLE		CRIMP TERM., FEMALE .093/(2.36) DIA. W/DIMPLE FOR 14 THRU 20 AWG WIRE	
3 PLACE ± .010	---	MOLEX INCORPORATED		SHEET NO.	DATE
2 PLACE ± .014 ± 0.25	---	L1SLE.ILL. 60532 U.S.A.		1 OF 1	02/10/95
1 PLACE --- ± 0.35	---	DRAWING NO.		SD-1189-*	
DRAFT WHERE APPLICABLE MUST REMAIN WITHIN DIMENSIONS		SEE CHART		DIV. CP	
DRWG. BY: GXC	CHK'D BY: RW	FILE NAME: SQ1189X2		THIS DRAWING CONTAINS INFORMATION THAT IS PROPRIETARY TO MOLEX INC. AND SHOULD NOT BE USED WITHOUT WRITTEN PERMISSION.	
APP'D BY: RAS	SCALE: 6 : 1	SIZE: CP		C	

C	OBSOLETE P/N UCR2002-0270 COMERCI 01/9/19
B2	REVISED PER UCR2000-0538 3/1/00 DDS
B1	ADDED ISO VIEW UCR1998-0248 WANG 98-05-20
B	OBS. VER'S PER EGR US 0543 GXC 11/2/95 RW
A	FINAL RELEASE EGR US 0799 GXC 2/10/95 RW