

Distributed by:

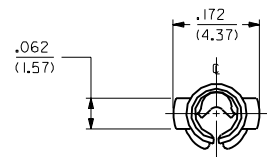
**JAMECO**<sup>®</sup>  
ELECTRONICS

**www.Jameco.com ♦ 1-800-831-4242**

The content and copyrights of the attached  
material are the property of its owner.

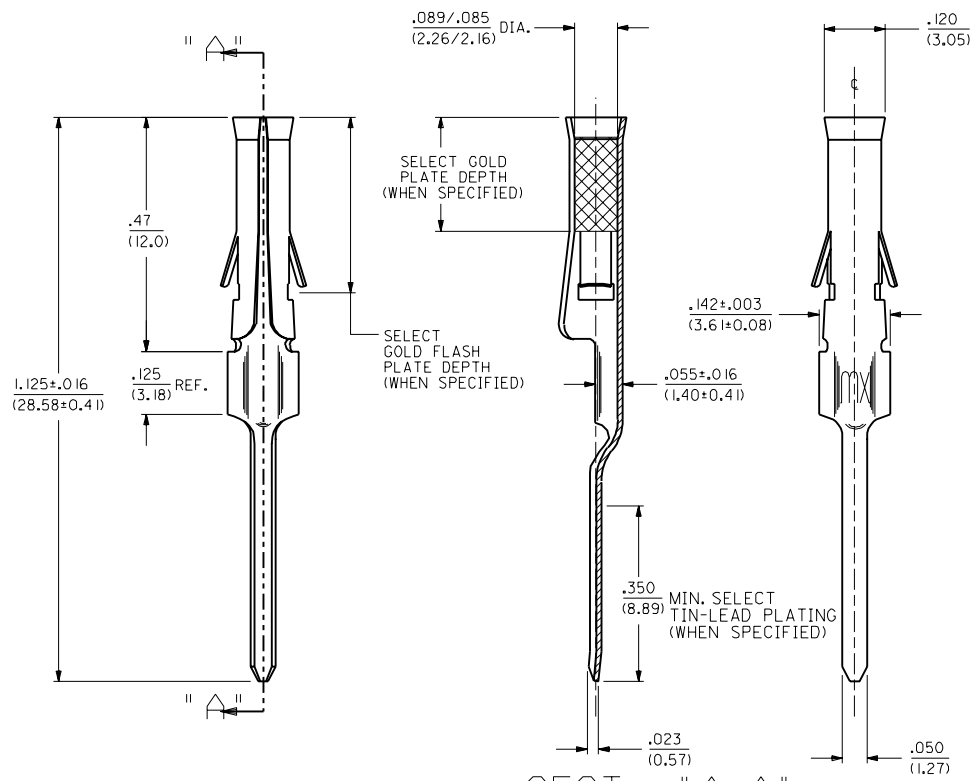
**Jameco Part Number 224258 (02-09-1134-C)**

PART NO.	ENG. NO.	SUFFIX WAS
02-09-1134	1377-A(P913)L	-ATL
02-09-5132	1377-A(P563)L	-GL
PRELIMINARY	1377-A(P603)L	



### LEGEND

1377-A(\*\*\*\*)\*  
 \* FORM L=LOOSE  
 \* FINISH CODE  
 P=PREPLATE  
 BLANK=POSTPLATE



SECT. "A-A"

- NOTES:
1. RECOMMENDED P.C. BOARD HOLE SIZE IS  $.062 \pm .002 / (.157 \pm 0.05)$  DIA.
  2. INSERTION FORCE; 3.5 LBS. MAX. WHEN TERMINAL IS INSERTED INTO AN .093 SERIES HOUSING.
  3. THIS PART CONFORMS TO PROD. SPEC. 02-09.

- FINISH CODES:
- 913 HOT TIN-LEAD DIP .000100/(0.00254) MIN.
  - 563 SELECT GOLD PLATE .000030/(0.00076) MIN. IN CONTACT AREA, SELECT TIN-LEAD PLATE .000100/(0.00254) MIN. IN TAIL AREA OVER .000050/(0.00127) NICKEL OVERALL.
  - 603 SELECT GOLD PLATE .000030/(0.00076) MIN. IN CONTACT AREA, SELECT TIN-LEAD PLATE .000100/(0.00254) MIN. IN TAIL AREA OVER .000050/(0.00127) NICKEL OVERALL WITH SELECT GOLD FLASH .000010/(0.00025) MAX. IN AREA INDICATED.

MATERIAL:  
 CARTRIDGE BRASS, ALLOY #C26000,  
 .010/(0.25) THICK, SPRING TEMPER

REV.	DATE	BY	REVISIONS
U			REVISE PER ECR U5 0799 CXC 2/14/95 RW
T			ADD .125 REF. ECR U2 0809 CXC 5/21/92 RW
S			ADDED NOTE 3. ECR U1 0722 CXC 6/11/91 RW
R			FINAL RELEASE ECR U1 0390 CXC 2/18/91 RW

DIMENSIONS SHOWN METRIC ( ) INCH		▽ = 0 ▼ = 0		REVISE ONLY ON CAD SYSTEM	
UNLESS OTHERWISE SPECIFIED TOLERANCES: ANGULAR ± 1/2°		TITLE		P.C. TAIL TERMINAL FEMALE, .093/(2.36) DIA.	
INCH METRIC		PART NO.		SHEET NO. DATE	
3 PLACE ± .010 ---		L13LEJLL		1 2/18/91	
2 PLACE ± .014 ± 0.25		MOLEX INCORPORATED		DIV. SIZE	
1 PLACE --- ± 0.36		60532 U.S.A.		CP C	
DRAFT WHERE APPLICABLE MUST REMAIN WITHIN DIMENSIONS		FILE NAME		DRWG. NO.	
DRWG. BY CXC		S1377X1		SD-1377-*	
APP'D BY GWF		SCALE 6 : 1		THIS DRAWING CONTAINS INFORMATION THAT IS PROPRIETARY TO MOLEX INC. AND SHOULD NOT BE USED WITHOUT WRITTEN PERMISSION.	