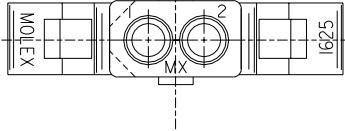
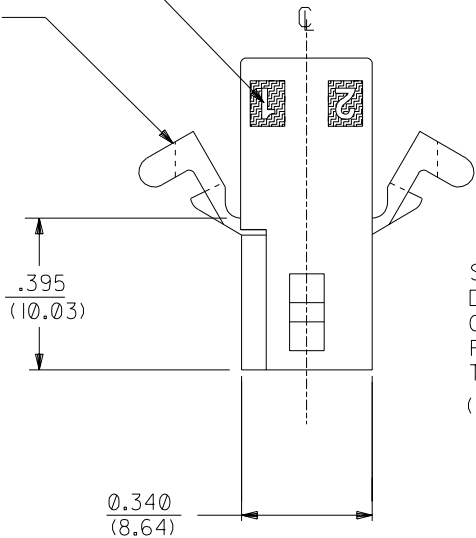


.187
(4.75)



△ 4 CIRCUIT I.D.

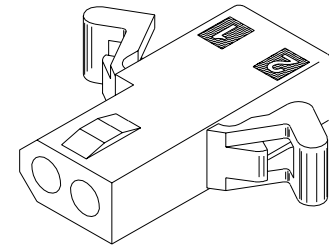
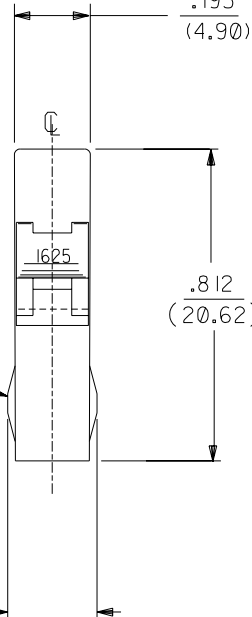
MOUNTING EAR (2 PL)
(WHEN SPECIFIED)
SEE DETAIL 3 OR 4



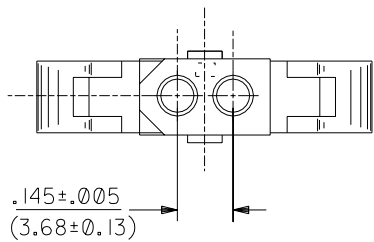
STANDARD
DETENT SHOWN.
OPTIONAL
POSITIVE LOCK
THIS SIDE ONLY
(SEE NOTE △ 5)

0.233±.010
(5.92±0.25)

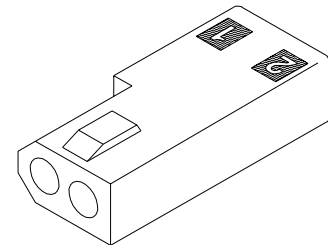
.193
(4.90)



RECEPTACLE HOUSING
(1625-2R2 SHOWN)



OPTIONAL POSITIVE LOCK
ONE SIDE ONLY
SCALE 4:1



RECEPTACLE HOUSING
(1625-2R3 SHOWN)

ADI	SEE SHT. I
AD	SEE SHT. I
X	SEE SHT. I
W	SEE SHT. I
V	SEE SHT. I
P	SEE SHT. I
AE	SEE SHT. I
LTR.	REVISIONS

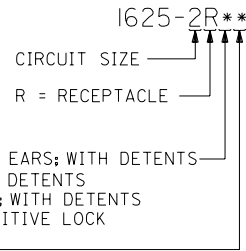
DIMENSIONS SHOWN (METRIC) INCH	
UNLESS OTHERWISE SPECIFIED TOLERANCES: ANGULAR ± .007	
3 PLACE	± .007 ---
2 PLACE	± .010 ± .18
1 PLACE	--- ± .25
DRAFT WHERE APPLICABLE MUST REMAIN WITHIN DIMENSIONS	
DRWG. BY	JJS
CHK'D. BY	RW
APP'D. BY	RAS
SCALE	4:1

▽ = 0	▼ = 0	REVISE ONLY ON CAD SYSTEM	
TITLE			
PLUG & RECEPTACLE HOUSING			
2 CIRCUIT, .062/(1.57) DIA.			
MOLEX INCORPORATED		SHEET NO.	DATE
LITSE, ILL. 60532		2	4/14/88
PART NO.		DRWG. NO.	
SEE CHART		SD-1625-2*	
FILE NAME		THIS DRAWING CONTAINS INFORMATION THAT IS PROPRIETARY TO MOLEX INC. AND SHOULD NOT BE USED WITHOUT WRITTEN PERMISSION	
S16252K2		DIV. CP	
000		SIZE	

PLUG		OBSOLETE
PART NO.	ENG. NO.	
03-06-7023	I625-2P1BK	
03-06-2023	I625-2P1	
03-06-7027	I625-2P2BK	
03-06-2024	I625-2P2	

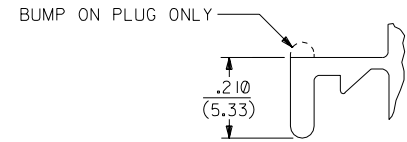
RECEPTACLE		OBSOLETE
PART NO.	ENG. NO.	
03-06-6023	I625-2R1BK	
03-06-1020	I625-2R3	
03-06-1023	I625-2R1	
03-06-1022	I625-2R2	
03-06-6025	I625-2R2RD	OBSOLETE
03-06-6026	I625-2R2GN	OBSOLETE
03-06-6027	I625-2R2BU	OBSOLETE
03-06-6022	I625-2R2BK	OBSOLETE
03-06-6028	I625-2R1BU	OBSOLETE

RECEPTACLE LEGEND:

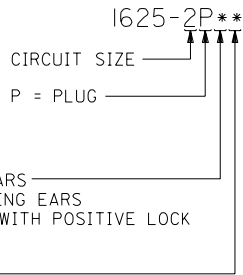


BLANK = WITH STANDARD MOUNTING EARS; WITH DETENTS
 1 = WITHOUT MOUNTING EARS; WITH DETENTS
 2 = WITH PREBENT MOUNTING EARS; WITH DETENTS
 3 = W/O MOUNTING EARS, WITH POSITIVE LOCK

BLANK = NATURAL
 AM=AMBER BK=BLACK BU=BLUE
 BN=BROWN GY=GRAY GN=GREEN
 OR=ORANGE RD=RED YW=YELLOW

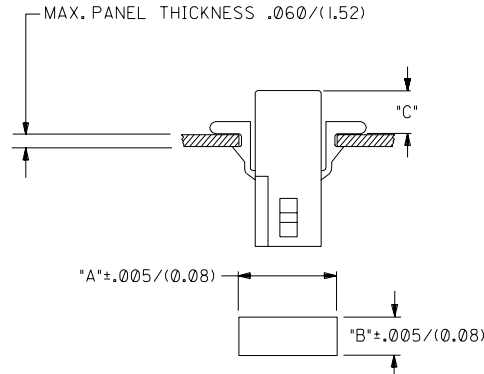


PLUG LEGEND:



1 = WITHOUT MOUNTING EARS
 2 = WITH PREBENT MOUNTING EARS
 3 = W/O MOUNTING EARS, WITH POSITIVE LOCK

BLANK = NATURAL
 AM=AMBER BK=BLACK BU=BLUE
 BN=BROWN GY=GRAY GN=GREEN
 OR=ORANGE RD=RED YW=YELLOW



RECOMMENDED HOLE PATTERN

HOUSING	DIM. "A"	DIM. "B"	PREBENT EAR DIM. "C"	STD. EAR DIM. "C"
PLUG	.609 (15.47)	.318 (8.08)	.24 (6.0)	.24 (6.1)
RECEPTACLE	.505 (12.83)	.265 (6.73)	.25 (6.4)	.25 (6.4)

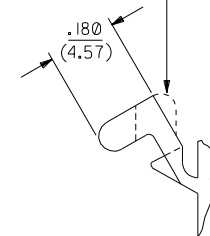
NOTES:

- MATERIAL - NYLON TYPE 6/6, 94V-2
- THIS PRODUCT COMPLIES WITH MOLEX PRODUCT SPEC 02-06.
- HOUSINGS FOR USE WITH MOLEX .062/(1.57) DIA. SERIES TERMINALS.
- CIRCUIT I.D. NUMBERS ON SIDE OF HOUSING APPEAR ON PARTS FROM TOOLS BUILT AFTER 7/1/91.
- POSTIVE LOCK VERSION REQUIRES USE OF A SCREWDRIVER OR SIMILAR TOOL TO LIFT SHROUD ON PLUG HOUSING IN ORDER TO UNMATE RECEPTACLE HOUSING.

DETAIL 3

STANDARD MOUNTING EARS (SCALE 4:1)

BUMP ON PLUG ONLY



DETAIL 4

PREBENT MOUNTING EARS (SCALE 4:1)

DIMENSIONS SHOWN (METRIC) INCH UNLESS OTHERWISE SPECIFIED TOLERANCES: ANGULAR $\pm .007$		REVISIONS ONLY ON CAD SYSTEM																	
<table border="1"> <thead> <tr> <th>PLACE</th> <th>INCH</th> <th>METRIC</th> </tr> </thead> <tbody> <tr> <td>3 PLACE</td> <td>$\pm .007$</td> <td>---</td> </tr> <tr> <td>2 PLACE</td> <td>$\pm .010$</td> <td>$\pm .18$</td> </tr> <tr> <td>1 PLACE</td> <td>---</td> <td>$\pm .25$</td> </tr> </tbody> </table>		PLACE	INCH	METRIC	3 PLACE	$\pm .007$	---	2 PLACE	$\pm .010$	$\pm .18$	1 PLACE	---	$\pm .25$	<table border="1"> <tr> <td>FILE NAME</td> <td>DATE</td> </tr> <tr> <td>S16252X3</td> <td>4/14/88</td> </tr> </table>		FILE NAME	DATE	S16252X3	4/14/88
PLACE	INCH	METRIC																	
3 PLACE	$\pm .007$	---																	
2 PLACE	$\pm .010$	$\pm .18$																	
1 PLACE	---	$\pm .25$																	
FILE NAME	DATE																		
S16252X3	4/14/88																		
DRAFT WHERE APPLICABLE MUST REMAIN WITHIN DIMENSIONS		<table border="1"> <tr> <td>MOLEX INCORPORATED</td> <td>SHEET NO.</td> <td>DATE</td> </tr> <tr> <td>L15LEJLL</td> <td>3</td> <td>4/14/88</td> </tr> </table>		MOLEX INCORPORATED	SHEET NO.	DATE	L15LEJLL	3	4/14/88										
MOLEX INCORPORATED	SHEET NO.	DATE																	
L15LEJLL	3	4/14/88																	
<table border="1"> <tr> <td>DRWG. BY</td> <td>CHK'D. BY</td> </tr> <tr> <td>JJS</td> <td>RW</td> </tr> </table>		DRWG. BY	CHK'D. BY	JJS	RW	<table border="1"> <tr> <td>PART NO.</td> <td>DRWG. NO.</td> </tr> <tr> <td>SD-1625-2*</td> <td></td> </tr> </table>		PART NO.	DRWG. NO.	SD-1625-2*									
DRWG. BY	CHK'D. BY																		
JJS	RW																		
PART NO.	DRWG. NO.																		
SD-1625-2*																			
<table border="1"> <tr> <td>APP'D. BY</td> <td>SCALE</td> </tr> <tr> <td>RAS</td> <td>2 : 1</td> </tr> </table>		APP'D. BY	SCALE	RAS	2 : 1	<table border="1"> <tr> <td>FILE NAME</td> <td>DIV.</td> <td>SIZE</td> </tr> <tr> <td>S16252X3</td> <td>CP</td> <td>C</td> </tr> </table>		FILE NAME	DIV.	SIZE	S16252X3	CP	C						
APP'D. BY	SCALE																		
RAS	2 : 1																		
FILE NAME	DIV.	SIZE																	
S16252X3	CP	C																	

LTR.	REVISIONS	LTR.	REVISIONS
	AE		SEE SHT. I
	AD1		SEE SHT. I
	AD		SEE SHT. I