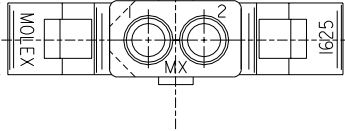
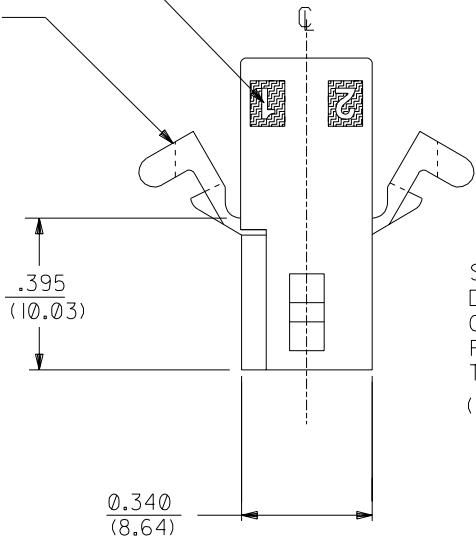


.187  
(4.75)



△ 4 CIRCUIT I.D.

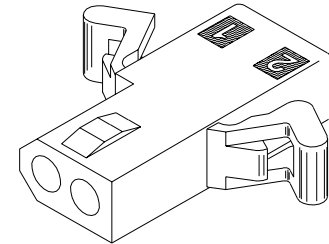
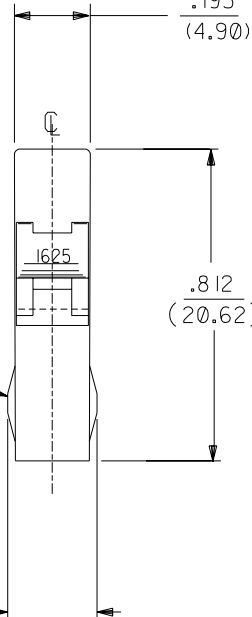
MOUNTING EAR (2 PL)  
(WHEN SPECIFIED)  
SEE DETAIL 3 OR 4



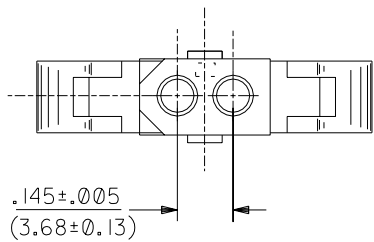
STANDARD  
DETENT SHOWN.  
OPTIONAL  
POSITIVE LOCK  
THIS SIDE ONLY  
(SEE NOTE △ 5)

0.233±.010  
(5.92±0.25)

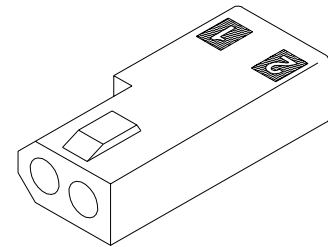
.193  
(4.90)



RECEPTACLE HOUSING  
(1625-2R2 SHOWN)



OPTIONAL POSITIVE LOCK  
ONE SIDE ONLY  
SCALE 4:1



RECEPTACLE HOUSING  
(1625-2R3 SHOWN)

ADI	SEE SHT. I
AD	SEE SHT. I
X	SEE SHT. I
W	SEE SHT. I
V	SEE SHT. I
P	SEE SHT. I
AE	SEE SHT. I
LTR.	REVISIONS

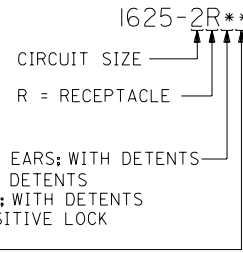
DIMENSIONS SHOWN (METRIC) INCH	
UNLESS OTHERWISE SPECIFIED TOLERANCES: ANGULAR ± .007	
3 PLACE	± .007 ---
2 PLACE	± .010 ± .18
1 PLACE	--- ± .25
DRAFT WHERE APPLICABLE MUST REMAIN WITHIN DIMENSIONS	
DRWG. BY	JJS
CHK'D. BY	RW
APP'D. BY	RAS
SCALE	4:1

▽ = 0	▼ = 0	REVISE ONLY ON CAD SYSTEM	
TITLE			
PLUG & RECEPTACLE HOUSING			
2 CIRCUIT, .062/(1.57) DIA.			
MOLEX INCORPORATED		SHEET NO.	DATE
LITSE,ILL. 60532		2	4/14/88
PART NO.		DRWG. NO.	
SEE CHART		SD-1625-2*	
FILE NAME		THIS DRAWING CONTAINS INFORMATION THAT IS PROPRIETARY TO MOLEX INC. AND SHOULD NOT BE USED WITHOUT WRITTEN PERMISSION	
S16252K2		DIV. SIZE	
000		CP C	

PLUG		OBSOLETE
PART NO.	ENG. NO.	
03-06-7023	I625-2PIBK	
03-06-2023	I625-2P1	
03-06-7027	I625-2P2BK	
03-06-2024	I625-2P2	

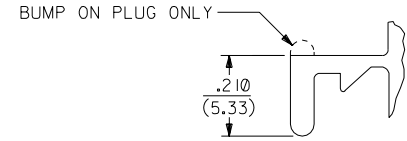
RECEPTACLE		OBSOLETE
PART NO.	ENG. NO.	
03-06-6023	I625-2RIBK	
03-06-1020	I625-2R3	
03-06-1023	I625-2R1	
03-06-1022	I625-2R2	
03-06-6025	I625-2R2RD	OBSOLETE
03-06-6026	I625-2R2GN	OBSOLETE
03-06-6027	I625-2R2BU	OBSOLETE
03-06-6022	I625-2R2BK	OBSOLETE
03-06-6028	I625-2R1BU	OBSOLETE

RECEPTACLE LEGEND:

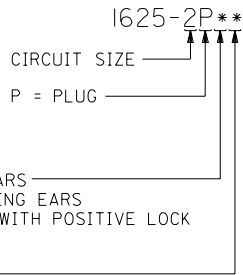


BLANK = WITH STANDARD MOUNTING EARS; WITH DETENTS  
1 = WITHOUT MOUNTING EARS; WITH DETENTS  
2 = WITH PREBENT MOUNTING EARS; WITH DETENTS  
3 = W/O MOUNTING EARS, WITH POSITIVE LOCK

BLANK = NATURAL  
AM=AMBER BK=BLACK BU=BLUE  
BN=BROWN GY=GRAY GN=GREEN  
OR=ORANGE RD=RED YW=YELLOW

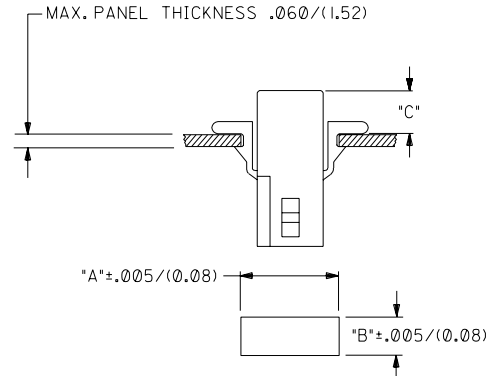


PLUG LEGEND:



1 = WITHOUT MOUNTING EARS  
2 = WITH PREBENT MOUNTING EARS  
3 = W/O MOUNTING EARS, WITH POSITIVE LOCK

BLANK = NATURAL  
AM=AMBER BK=BLACK BU=BLUE  
BN=BROWN GY=GRAY GN=GREEN  
OR=ORANGE RD=RED YW=YELLOW



RECOMMENDED HOLE PATTERN

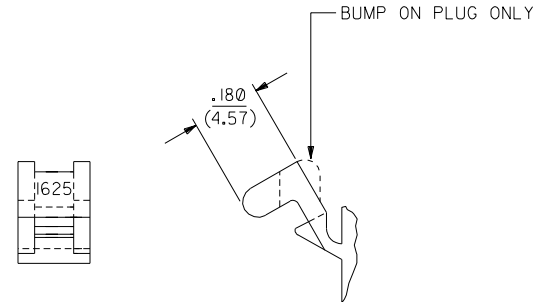
HOUSING	DIM. "A"	DIM. "B"	PREBENT EAR DIM. "C"	STD. EAR DIM. "C"
PLUG	.609 (15.47)	.318 (8.08)	.24 (6.0)	.24 (6.1)
RECEPTACLE	.505 (12.83)	.265 (6.73)	.25 (6.4)	.25 (6.4)

NOTES:

- MATERIAL - NYLON TYPE 6/6, 94V-2
- THIS PRODUCT COMPLIES WITH MOLEX PRODUCT SPEC 02-06.
- HOUSINGS FOR USE WITH MOLEX .062/(1.57) DIA. SERIES TERMINALS.
- CIRCUIT I.D. NUMBERS ON SIDE OF HOUSING APPEAR ON PARTS FROM TOOLS BUILT AFTER 7/1/91.
- POSTIVE LOCK VERSION REQUIRES USE OF A SCREWDRIVER OR SIMILAR TOOL TO LIFT SHROUD ON PLUG HOUSING IN ORDER TO UNMATE RECEPTACLE HOUSING.

DETAIL 3

STANDARD MOUNTING EARS (SCALE 4:1)



DETAIL 4

PREBENT MOUNTING EARS (SCALE 4:1)

DIMENSIONS SHOWN (METRIC) INCH UNLESS OTHERWISE SPECIFIED TOLERANCES: ANGULAR ± .5°		▽ = 0	▼ = 0	REVISE ONLY ON CAD SYSTEM
INCH METRIC		TITLE PLUG & RECEPTACLE HOUSINGS 2 CIRCUIT, .062/(1.57) DIA.		
3 PLACE ± .007	---	MOLEX INCORPORATED SHEET NO. DATE L1SLE,ILL. 60532 U.S.A. 3 4/14/88		
2 PLACE ± .010	± .18	PART NO. DRWG. NO. SEE CHART SD-1625-2*		
1 PLACE ---	± .25	FILE NAME DIV. SIZE S16252X3 CP C		
DRAFT WHERE APPLICABLE MUST REMAIN WITHIN DIMENSIONS		THIS DRAWING CONTAINS INFORMATION THAT IS PROPRIETARY TO MOLEX INC. AND SHOULD NOT BE USED WITHOUT WRITTEN PERMISSION.		
DRWG. BY: JJS	CHK'D. BY: RW	SCALE: 2 : 1		
APP'D. BY: RAS				

LTR.	REVISIONS	LTR.	REVISIONS
	AE	SEE SHT. I	
	AD1	SEE SHT. I	
	AD	SEE SHT. I	