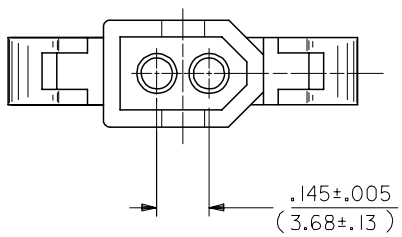
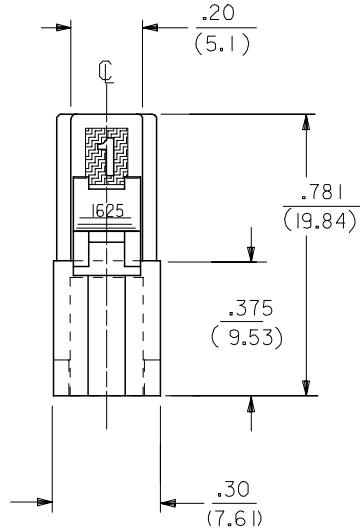
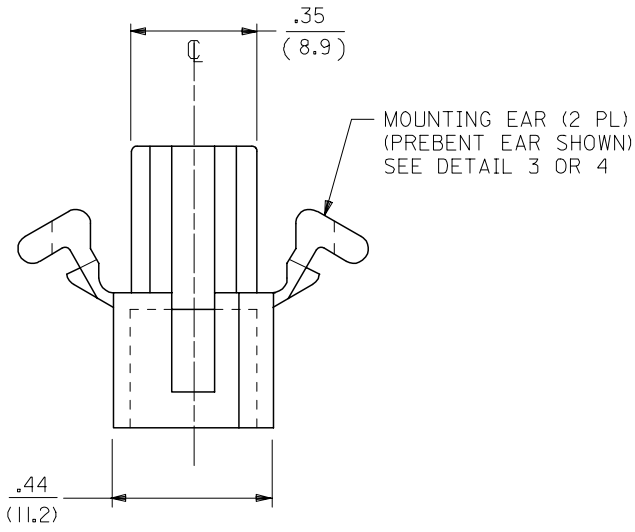
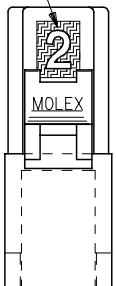


PLUG HOUSING

CIRCUIT I.D.



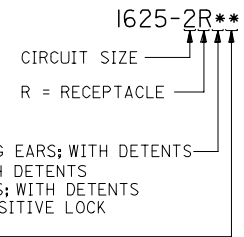
3	AE1
2	AE1
1	AE1
SHT.REV.	

ADD NEW TOOL STEP EC NO: UCP2007-1980 DRAWN/PRI/DDR 2007/04/13 CHKD: AEL/HAG 2007/04/16 APPR: FSM/TH 2007/04/19 REVISION AE1	QUALITY SYMBOLS 	GENERAL TOLERANCES (UNLESS SPECIFIED)		DIMENSION STYLE IN/MM		SCALE 4:1	DESIGN UNITS INCH	THIRD ANGLE PROJECTION			
		4 PLACES ± --- ± ---	3 PLACES ± --- ± .007	DRAWN BY JJS	DATE 1988/04/13	TITLE PLUG AND RECEPTACLE 2 CIRCUIT HOUSINGS .062/(1.57) DIA.					
		2 PLACES ± 0.18 ± .010	1 PLACE ± 0.25 ± ---	CHECKED BY RW	DATE 1988/04/13	MATERIAL NO. SEE CHART					
		ANGULAR ± 1 °		APPROVED BY RAS	DATE 1988/04/13	MOLEX INCORPORATED		DOCUMENT NO. SD-1625-2*		SHEET NO. 1 OF 3	
DRAFT WHERE APPLICABLE MUST REMAIN WITHIN DIMENSIONS				SIZE C		THIS DRAWING CONTAINS INFORMATION THAT IS PROPRIETARY TO MOLEX INCORPORATED AND SHOULD NOT BE USED WITHOUT WRITTEN PERMISSION					

PLUG	
PART NO.	ENG. NO.
03-06-7023	I625-2PIBK
03-06-2023	I625-2P1
03-06-7027	I625-2P2BK
03-06-2024	I625-2P2

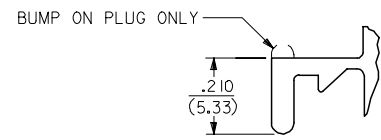
RECEPTACLE	
PART NO.	ENG. NO.
03-06-6023	I625-2RIBK
03-06-1020	I625-2R3
03-06-1023	I625-2R1
03-06-1022	I625-2R2
03-06-6025	I625-2R2RD
03-06-6026	I625-2R2GN
03-06-6027	I625-2R2BU
03-06-6022	I625-2R2BK
03-06-6028	I625-2R1BU

RECEPTACLE LEGEND:



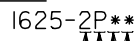
1 = WITHOUT MOUNTING EARS; WITH DETENTS
 2 = WITH PREBENT MOUNTING EARS; WITH DETENTS
 3 = W/O MOUNTING EARS, WITH POSITIVE LOCK

BLANK = NATURAL
 AM=AMBER BK=BLACK BU=BLUE
 BN=BROWN GY=GRAY GN=GREEN
 OR=ORANGE RD=RED YW=YELLOW



DETAIL 3
STANDARD MOUNTING EARS
(SCALE 4:1)

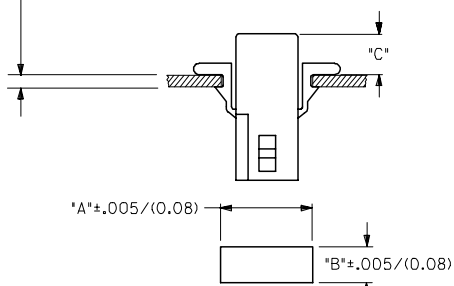
PLUG LEGEND:



1 = WITHOUT MOUNTING EARS
 2 = WITH PREBENT MOUNTING EARS
 3 = W/O MOUNTING EARS, WITH POSITIVE LOCK

BLANK = NATURAL
 AM=AMBER BK=BLACK BU=BLUE
 BN=BROWN GY=GRAY GN=GREEN
 OR=ORANGE RD=RED YW=YELLOW

MAX. PANEL THICKNESS .060/(1.52)

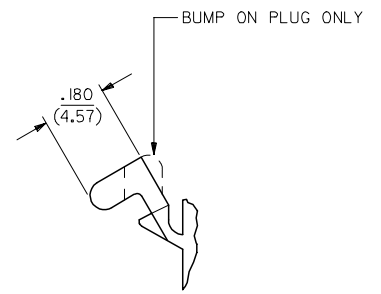


RECOMMENDED HOLE PATTERN

HOUSING	DIM. "A"	DIM. "B"	PREBENT EAR DIM. "C"	STD. EAR DIM. "C"
PLUG	.609 (15.47)	.318 (8.08)	.24 (6.0)	.24 (6.1)
RECEPTACLE	.505 (12.83)	.265 (6.73)	.25 (6.4)	.25 (6.4)

NOTES:

1. MATERIAL - NYLON TYPE 6/6, 94V-2
2. FINISH: NONE
3. PRODUCT SPECIFICATION: PS-02-06
4. PACKAGING SPECIFICATION: PK-1625-001
5. POSITIVE LOCK VERSION REQUIRES USE OF A SCREWDRIVER OR SIMILAR TOOL TO LIFT SHROUD ON PLUG HOUSING IN ORDER TO UNMATE RECEPTACLE HOUSINGS
6. HOUSINGS FOR USE WITH MOLEX .062/(1.57) DIA. SERIES TERMINALS.
7. CIRCUIT I.D. NUMBERS ON SIDE OF HOUSING APPEAR ON PARTS FROM TOOLS BUILT AFTER 07/01/1991.
8. THIS PART CONFORMS TO CLASS B REQUIREMENTS OF COSMETIC SPECIFICATION PS-45499-002.



DETAIL 4

PREBENT MOUNTING EARS
(SCALE 4:1)

UPDATE NOTES EC NO: UCP2007-1980 DRAWN/PRD/DR 2007/04/13 CHKD: AEL/HAG 2007/04/16 APPR: FSM/TH 2007/04/19 REVISIONS A1	QUALITY SYMBOLS ▽=0 ▽=0	GENERAL TOLERANCES (UNLESS SPECIFIED)		DIMENSION STYLE IN/MM		SCALE 2:1	DESIGN UNITS INCH	THIRD ANGLE PROJECTION			
		4 PLACES ± --- ± ---	3 PLACES ± --- ± .007	DRAWN BY JJS	DATE 1988/04/14	TITLE PLUG & RECEPTACLE 2 CIRCUIT HOUSINGS .062(1.57)DIA.					
		2 PLACES ± 0.18 ± .010	1 PLACE ± 0.25 ± ---	CHECKED BY RW	DATE 1988/04/14	MOLEX INCORPORATED					
		ANGULAR ± 1 °		APPROVED BY RAS	DATE 1988/04/14	MATERIAL NO. SEE CHART		DOCUMENT NO. SD-1625-2*	SHEET NO. 3 OF 3		
DRAFT WHERE APPLICABLE MUST REMAIN WITHIN DIMENSIONS				THIS DRAWING CONTAINS INFORMATION THAT IS PROPRIETARY TO MOLEX INCORPORATED AND SHOULD NOT BE USED WITHOUT WRITTEN PERMISSION							

