

PLUG		
PART NO.	ENG. NO.	
03-06-2041	I625-4P	OBSOLETE
46999-0267	I625-4P-1	
03-06-7041	I625-4PBK	OBSOLETE
03-06-2042	I625-4P1	
03-06-7042	I625-4P1BK	
46999-0355	I625-4P2	
NOT TOOLED	I625-4P2BK	
46999-0353	I625-4P2-1	
	-	

RECEPTACLE		
PART NO.	ENG. NO.	
03-06-1041	I625-4R	OBSOLETE
03-06-6041	I625-4RBK	OBSOLETE
03-06-1042	I625-4R1	
03-06-6042	I625-4R1BK	
50-29-1758	I625-4R2	
46999-0266	I625-4R2-1	
46999-0354	I625-4R1-1	
	-	
	-	

LEGEND:

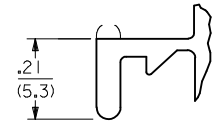
I625-4***-*

CIRCUIT SIZE
 R = RECEPTACLE
 P = PLUG

BLANK = WITH STANDARD MTG. EARS
 1 = WITHOUT EARS
 2 = WITH PREBENT MTG. EARS

BLANK = NOT DYED
 AM=AMBER BK=BLACK BU=BLUE
 BN=BROWN GY=GRAY GN=GREEN
 OR=ORANGE RD=RED YW=YELLOW

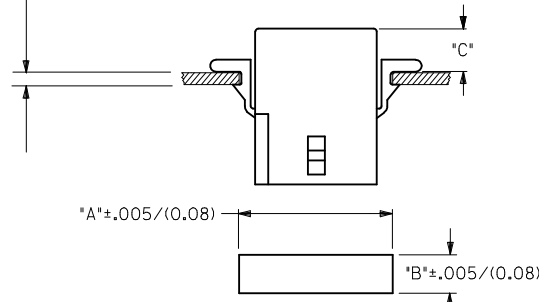
BLANK = MATERIAL CODE A
 1 = MATERIAL CODE B



DETAIL 1

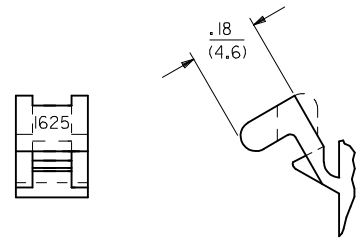
STANDARD MOUNTING EARS
 (SCALE 4:1)

MAX. PANEL THICKNESS .060/(1.52)



RECOMMENDED PANEL OPENING

HOUSING	DIM. "A"	DIM. "B"	"C" PREBENT EAR	"C" STANDARD EAR
PLUG	.865/(21.97)	.312/(7.92)	.19/(4.8)	.18/(4.6)
RECEPT.	.785/(19.94)	.260/(6.60)	.21/(5.3)	.20/(5.1)



DETAIL 2

PREBENT MOUNTING EARS
 (SCALE 4:1)

- NOTES:
- MATERIAL:
 A = NYLON TYPE 6/6, 94V-2
 B = NYLON PA6, UL94V-2, COLOR: NATURAL
 IEC 60335-1, 4th EDITION, GLOW WIRE CAPABLE
 - FINISH: N/A.
 - THIS PRODUCT COMPLIES WITH MOLEX PRODUCT SPECIFICATION PS-02-06
 - PACKAGING: PK-1625-003.
 - HOUSINGS FOR USE WITH MOLEX .062/(1.57) DIA. SERIES TERMINALS.
 - CIRCUIT I.D. NUMBERS ON SIDE OF HOUSING APPEAR ON PARTS FROM TOOLS BUILT AFTER 8/10/92. PARTS FROM TOOLS BUILT BEFORE THIS DATE WILL HAVE CIRCUIT I.D. RIBS ON HOUSING.
 - PARTS CONFORM TO CLASS 'B' REQUIREMENTS OF COSMETIC SPECIFICATION PS-45499-002.

SEE SHEET 1 EC NO: UCP2013-1167 DRWN: AELHAG CHKD: JBELL APPR: FSMITH REV: R1	QUALITY SYMBOLS ▽=0 ▽=0 ▽=0	GENERAL TOLERANCES (UNLESS SPECIFIED) <table border="1"> <thead> <tr> <th></th> <th>mm</th> <th>INCH</th> </tr> </thead> <tbody> <tr> <td>4 PLACES ±</td> <td>---</td> <td>---</td> </tr> <tr> <td>3 PLACES ±</td> <td>---</td> <td>±.010</td> </tr> <tr> <td>2 PLACES ±</td> <td>0.25</td> <td>±.014</td> </tr> <tr> <td>1 PLACE ±</td> <td>0.36</td> <td>---</td> </tr> </tbody> </table>		mm	INCH	4 PLACES ±	---	---	3 PLACES ±	---	±.010	2 PLACES ±	0.25	±.014	1 PLACE ±	0.36	---	DIMENSION STYLE IN/MM DRAWN BY DATE AELHAG 2010/06/30 CHECKED BY DATE JBELL 2012/01/23 APPROVED BY DATE FSMITH 2011/12/02	SCALE --- DESIGN UNITS INCH THIRD ANGLE PROJECTION	TITLE PLUG & RECEPTACLE HOUSINGS, 4 CIRCUIT, .062 DIA., .145 CENTERS MOLEX INCORPORATED DOCUMENT NO. SD-1625-4* SHEET NO. 2 OF 2
		mm	INCH																	
	4 PLACES ±	---	---																	
	3 PLACES ±	---	±.010																	
2 PLACES ±	0.25	±.014																		
1 PLACE ±	0.36	---																		
DRAFT WHERE APPLICABLE MUST REMAIN WITHIN DIMENSIONS		SEE CHART	THIS DRAWING CONTAINS INFORMATION THAT IS PROPRIETARY TO MOLEX INCORPORATED AND SHOULD NOT BE USED WITHOUT WRITTEN PERMISSION																	