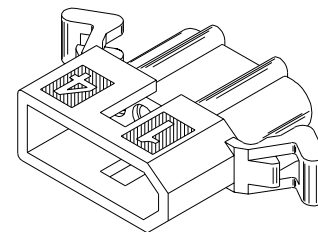
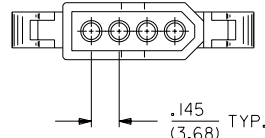
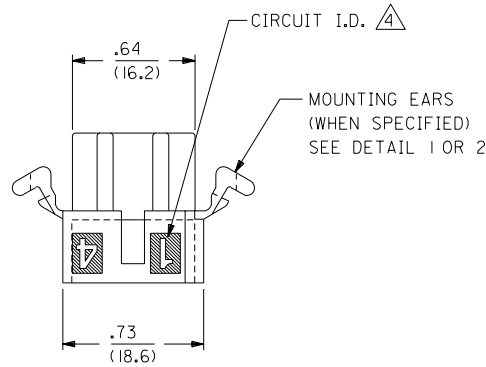
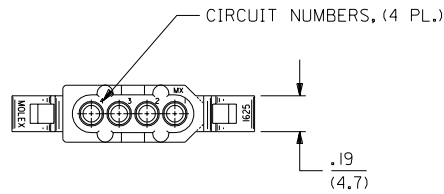


**RECEPTACLE HOUSING**



**PLUG HOUSING**

M	OBSOLETE P/N UCP2003-1545 AELHAG, 03/01/15		
L	OBSOLETE P/N UCR2002-0270 COMERCI 01/9/26		
K2	REVISED PER UCR2000-0509 01/26/00 DDS		
K1	2	M	REVISED & REDRAWN ECR U2 1159 GIC 8/17/92 RW
K1	1	M	
MFG, SH.	REV.	LTR.	REVISIONS

DIMENSIONS SHOWN (METRIC) INCH		UNLESS OTHERWISE SPECIFIED TOLERANCES: ANGULAR $\pm .01$	
3 PLACE	$\pm .010$	---	---
2 PLACE	$\pm .014$	$\pm 0.25$	---
1 PLACE	---	$\pm 0.36$	---
DRAFT WHERE APPLICABLE MUST REMAIN WITHIN DIMENSIONS			
DRWG. BY	CHK'D. BY	SCALE	2 : 1
RAS	RW		

TITLE		REVISIONS	
PLUG & RECEPTACLE HOUSINGS 4 CIRCUIT, .062/(1.57) DIA.		= 0	
PART NO.		DRWG. NO.	
SD-1625-4*		SD-1625-4*	
SEE CHART		U.S.A.	
MOLEX INCORPORATED LITSE, ILL. 60532		SHEET NO. 1 of 2	
DATE 8/17/91		DIV. CP	
THIS DRAWING CONTAINS INFORMATION THAT IS PROPRIETARY TO MOLEX INC. AND SHOULD NOT BE USED WITHOUT WRITTEN PERMISSION.			

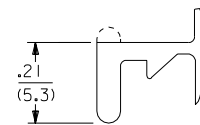
PLUG		
PART NO.	ENG. NO.	
03-06-2041	1625-4P	
03-06-7041	1625-4PBK	OBSOLETE
03-06-2042	1625-4P1	
03-06-7042	1625-4P1BK	
NOT TOOLED	1625-4P2	
NOT TOOLED	1625-4P2BK	
	-	
	-	

RECEPTACLE		
PART NO.	ENG. NO.	
03-06-1041	1625-4R	
03-06-6041	1625-4RBK	OBSOLETE
03-06-1042	1625-4R1	
03-06-6042	1625-4R1BK	
	-	
	-	
	-	
	-	

**LEGEND:**

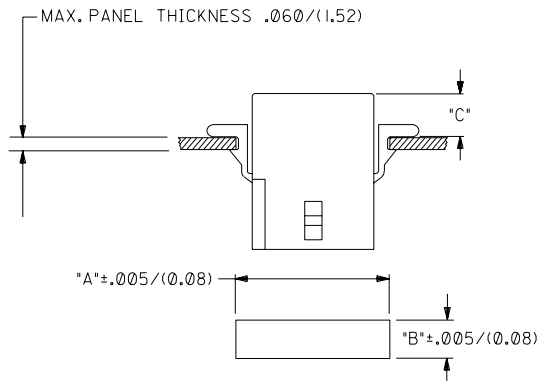
1625-4\*\*\*  
 CIRCUIT SIZE  
 R = RECEPTACLE  
 P = PLUG  
 BLANK = WITH STANDARD MTG. EARS  
 1 = WITHOUT EARS  
 2 = WITH PREBENT MTG. EARS

BLANK = NOT DYED  
 AM=AMBER BK=BLACK BU=BLUE  
 BN=BROWN GY=GRAY GN=GREEN  
 OR=ORANGE RD=RED YW=YELLOW



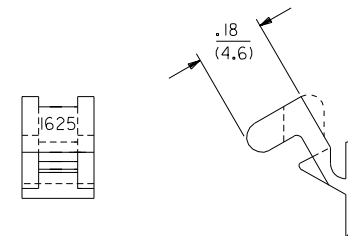
**DETAIL 1**

STANDARD MOUNTING EARS  
 (SCALE 4:1)



RECOMMENDED PANEL OPENING

HOUSING	DIM. "A"	DIM. "B"	"C" PREBENT EAR	"C" STANDARD EAR
PLUG	.865/(21.97)	.312/(7.92)	.19/(4.8)	.18/(4.6)
RECEPT.	.785/(19.94)	.260/(6.60)	.21/(5.3)	.20/(5.1)



**DETAIL 2**

PREBENT MOUNTING EARS  
 (SCALE 4:1)

**NOTES:**

- MATERIAL - NYLON TYPE 6/6, 94V-2
  - THIS PRODUCT COMPLIES WITH MOLEX PRODUCT SPEC 02-06.
  - HOUSINGS FOR USE WITH MOLEX .062/(1.57) DIA. SERIES TERMINALS.
- △ CIRCUIT I.D. NUMBERS ON SIDE OF HOUSING APPEAR ON PARTS FROM TOOLS BUILT AFTER 8/10/92.

DIMENSIONS SHOWN (METRIC) INCH UNLESS OTHERWISE SPECIFIED TOLERANCES: ANGULAR ± .5°		▽ = 0 ▼ = 0 REVISE ONLY ON CAD SYSTEM																			
<table border="1"> <thead> <tr> <th></th> <th>INCH</th> <th>METRIC</th> </tr> </thead> <tbody> <tr> <td>3 PLACE</td> <td>± .010</td> <td>---</td> </tr> <tr> <td>2 PLACE</td> <td>± .014</td> <td>± 0.25</td> </tr> <tr> <td>1 PLACE</td> <td>---</td> <td>± 0.36</td> </tr> </tbody> </table>			INCH	METRIC	3 PLACE	± .010	---	2 PLACE	± .014	± 0.25	1 PLACE	---	± 0.36	<table border="1"> <tr> <td>MOLEX INCORPORATED</td> <td>SHEET NO. 2</td> <td>DATE 8/17/92</td> </tr> <tr> <td>1151E,ILL. 60532 U.S.A.</td> <td></td> <td></td> </tr> </table>		MOLEX INCORPORATED	SHEET NO. 2	DATE 8/17/92	1151E,ILL. 60532 U.S.A.		
	INCH	METRIC																			
3 PLACE	± .010	---																			
2 PLACE	± .014	± 0.25																			
1 PLACE	---	± 0.36																			
MOLEX INCORPORATED	SHEET NO. 2	DATE 8/17/92																			
1151E,ILL. 60532 U.S.A.																					
DRAFT WHERE APPLICABLE MUST REMAIN WITHIN DIMENSIONS		PART NO. SD-1625-4*																			
DRWG. BY: RAS		SEE CHART																			
CHK'D. BY: RW		DIV. CP																			
APP'D. BY: RAS		SCALE 2 : 1																			
LTR.	REVISIONS	LTR.	REVISIONS																		