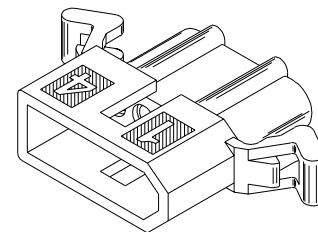
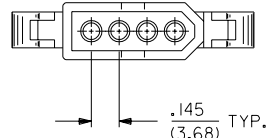
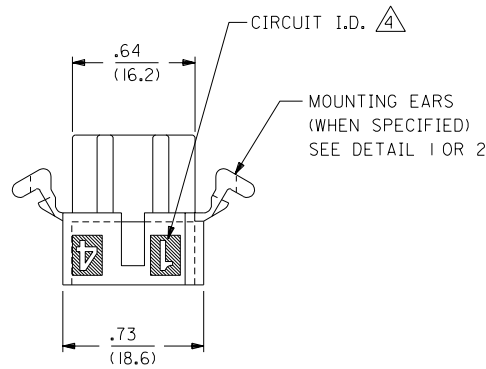
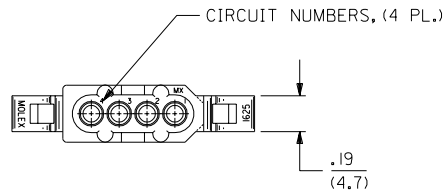


**RECEPTACLE HOUSING**



**PLUG HOUSING**

M	OBsolete P/N UCP2003-1545 AELHAG, 03/01/15
L	OBsolete P/N UCR2002-0270 COMERCI 01/9/26
K2	REVISED PER UCR2000-0509 01/26/00 DDS
K1	REVISED & REDRAWN ECR U2 1159 8/17/92 RW

K1	2	M			
K1	1	M	K1		
MFG.	SH.	REV.	LTR.	REVISONS	

DIMENSIONS SHOWN (METRIC) INCH		▽ = 0	▼ = 0	REVISE ONLY ON CAD SYSTEM
UNLESS OTHERWISE SPECIFIED TOLERANCES: ANGULAR ± .0010		TITLE		
3 PLACE ± .010 ---		PLUG & RECEPTACLE HOUSINGS		
2 PLACE ± .014 ± 0.25		4 CIRCUIT, .062/(1.57) DIA.		
1 PLACE --- ± 0.36		MOLEX INCORPORATED SHEET NO. DATE		
DRAFT WHERE APPLICABLE MUST REMAIN WITHIN DIMENSIONS		LITSE, ILL. 60532 U.S.A. 1 of 2 8/17/91		
DRAWG. BY: GAC		PART NO. SD-1625-4X1		DRWG. NO. SD-1625-4*
CHK'D. BY: RW		SEE CHART		
APP'D. BY: RAS		FILE NAME: S1625-4X1.DGN		
SCALE: 2 : 1		THIS DRAWING CONTAINS INFORMATION THAT IS PROPRIETARY TO MOLEX INC. AND SHOULD NOT BE USED WITHOUT WRITTEN PERMISSION.		

PLUG		
PART NO.	ENG. NO.	
03-06-2041	1625-4P	
03-06-7041	1625-4PBK	OBSOLETE
03-06-2042	1625-4P1	
03-06-7042	1625-4P1BK	
NOT TOOLED	1625-4P2	
NOT TOOLED	1625-4P2BK	
	-	
	-	

RECEPTACLE		
PART NO.	ENG. NO.	
03-06-1041	1625-4R	
03-06-6041	1625-4RBK	OBSOLETE
03-06-1042	1625-4R1	
03-06-6042	1625-4R1BK	
	-	
	-	
	-	
	-	

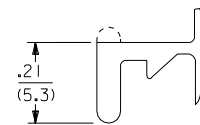
**LEGEND:**

1625-4\*\*\*

CIRCUIT SIZE  
R = RECEPTACLE  
P = PLUG

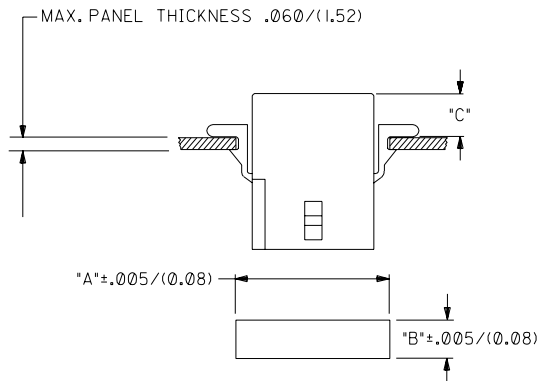
BLANK = WITH STANDARD MTG. EARS  
1 = WITHOUT EARS  
2 = WITH PREBENT MTG. EARS

BLANK = NOT DYED  
AM=AMBER BK=BLACK BU=BLUE  
BN=BROWN GY=GRAY GN=GREEN  
OR=ORANGE RD=RED YW=YELLOW



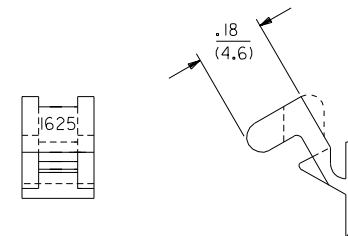
**DETAIL 1**

STANDARD MOUNTING EARS  
(SCALE 4:1)



RECOMMENDED PANEL OPENING

HOUSING	DIM. "A"	DIM. "B"	"C" PREBENT EAR	"C" STANDARD EAR
PLUG	.865/(21.97)	.312/(7.92)	.19/(4.8)	.18/(4.6)
RECEPT.	.785/(19.94)	.260/(6.60)	.21/(5.3)	.20/(5.1)



**DETAIL 2**

PREBENT MOUNTING EARS  
(SCALE 4:1)

**NOTES:**

- MATERIAL - NYLON TYPE 6/6, 94V-2
  - THIS PRODUCT COMPLIES WITH MOLEX PRODUCT SPEC 02-06.
  - HOUSINGS FOR USE WITH MOLEX .062/(1.57) DIA. SERIES TERMINALS.
- △ CIRCUIT I.D. NUMBERS ON SIDE OF HOUSING APPEAR ON PARTS FROM TOOLS BUILT AFTER 8/10/92.

DIMENSIONS SHOWN (METRIC) INCH UNLESS OTHERWISE SPECIFIED TOLERANCES: ANGULAR ± .5°		▽ = 0	▼ = 0	REVISE ONLY ON CAD SYSTEM												
<table border="1"> <thead> <tr> <th></th> <th>INCH</th> <th>METRIC</th> </tr> </thead> <tbody> <tr> <td>3 PLACE</td> <td>± .010</td> <td>---</td> </tr> <tr> <td>2 PLACE</td> <td>± .014</td> <td>± 0.25</td> </tr> <tr> <td>1 PLACE</td> <td>---</td> <td>± 0.36</td> </tr> </tbody> </table>			INCH	METRIC	3 PLACE	± .010	---	2 PLACE	± .014	± 0.25	1 PLACE	---	± 0.36	TITLE <b>PLUG &amp; RECEPTACLE HOUSINGS</b> 4 CIRCUIT, .062/(1.57) DIA.		
	INCH	METRIC														
3 PLACE	± .010	---														
2 PLACE	± .014	± 0.25														
1 PLACE	---	± 0.36														
DRAFT WHERE APPLICABLE MUST REMAIN WITHIN DIMENSIONS		MOLEX INCORPORATED SHEET NO. 2 DATE 8/17/92 LISLE, ILL. 60532 U.S.A.														
DRWG. BY: <b>GC</b> CHK'D. BY: <b>RW</b>		PART NO. <b>SD-1625-4*</b>														
APP'D. BY: <b>RAS</b> SCALE: 2 : 1		SEE CHART														
LTR. REVISIONS		FILE NAME: 516254X2 DIV. CP														