

Distributed by:



[www.Jameco.com](http://www.Jameco.com) ♦ 1-800-831-4242

The content and copyrights of the attached material are the property of its owner.

Jameco Part Number 224426

The subject products should meet the following requirements when tested under the condition of involving all circuits with terminals crimped on the specified maximum size wire.

1. Electrical Performance

	Item	Test Condition	Requirement	
1-1	Rated voltage and current		1~15 CKTS.	AC&DC 250V 5A
			24 CKTS.	AC&DC 250V 4A
1-2	Contact resistance	Mate connectors measure by Dry Circuit, 20mV max., 10mA.	10 mΩ max.	
1-3	Dielectric strength	When applied AC 1500V 1 minute between adjacent terminals or ground	No breakdown	
1-4	Insulation resistance	When applied DC 500V between adjacent terminals or ground	1000 MΩ min.	

2. Mechanical Performance

	Item	Test Condition	Requirement	
2-1	Insertion force	Mating speed : 25±3mm/minute	See para 7	
2-2	Extraction force	Disengaging speed : 25±3mm/minute	See para 7	
2-3	Durability	When mated up to 30 cycles by the rate of 10 cycles per minute	Contact resistance	20 mΩ max.
			Insertion extraction force	See para 7
2-4	Terminal retention force	Pull speed : 25±3mm/minute	7.0 kg min.	
2-5	Terminal strength	When applied a load of 500gw, 1 minute	No damage	

3. Environmental Performance

	Item	Test Condition	Requirement	
3-1	Temperature rise	When carried the rated current	30 °C max.	
3-2	Vibration	1.5mm,10-55-10Hz/min.,each 2 hrs. for X,Y&Z directions, applying 1mA-DC current	Contact resistance	20 mΩ max.
			Discontinuity	1 μsec. max.
			Appearance	No damage
3-3	Shock	50G,each 3 times for X,Y,Z directions, applying 1mA-DC current	Discontinuity	1 μsec. max.
			Appearance	No damage

REV. B

Item	Test Condition	Requirement	
3-4 Solderability	Soldering time : 3 ± 0.5 sec. Soldering pot : 230 ± 5 °C	Min. 3/4 of immersed area	
3-5 Resistance to soldering heat	Soldering time : 5 ± 0.5 sec. Soldering pot : 260 ± 5 °C	No damage	
3-6 Heat resistance	85 ± 2°C, 96 hours	Contact resistance	20 mΩ max.
		Appearance	No damage
3-7 Humidity	Temperature : 40±2°C Relative Humidity: 90~95% Duration : 96 hours Measurement must be taken within 30 minute after tested	Contact resistance	20 mΩ max.
		Dielectric strength	To pass para 1-3
		Insulation resistance	100 MΩ min.
		Appearance	No damage
3-8 Temperature cycling ( 5 cycles )	One cycle consists of (1) -55±3°C, 30 minute (2) Room temp. 10~15 minute (3) 105±2°C, 30 minute (4) Room temp. 10~15 minute	Contact resistance	20 mΩ max.
		Appearance	No damage
3-9 Salt Spray	Temperature: 35±2°C Solution : 5±1% Spray time : 48±4 hours Measurement must be taken after water rinse.	Contact resistance	20 mΩ max.
		Appearance	No significant corrosion
3-10 SO <sub>2</sub> Gas	24 hours in sulfur dioxide gas (SO <sub>2</sub> ) 50±5ppm at 40±2°C	Contact resistance	20 mΩ max.

4. Terminal To Be Used

	Customer P/No	Molex P/No	Wire Size	Insulation Dia.
1.		1560,1561	AWG #18 ~ #24	φ (1.5) ~ 3.1
2.		1854,1855	AWG #22 ~ #28	φ (1.1) ~ 1.5
3.		1778,1779	-----	-----
4.				

5. Ambient Temperature Range : -40°C ~ 105°C

6. Construction, Dimension and Material : Specified by the attached drawing.

REV. B

7. Insertion and Extraction Force

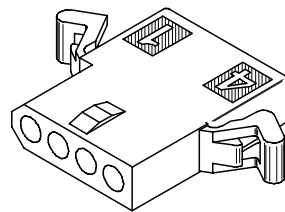
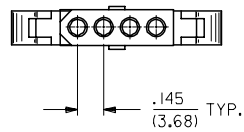
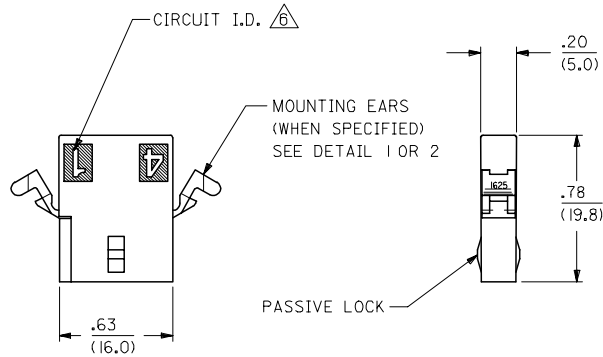
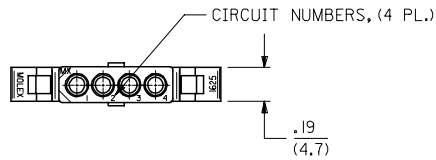
No of Ckt.	Insertion Force (kgf, max.)			Extraction Force (kgf, min.)		
	1st	6th	30th	1st	6th	30th
1	5.0	4.5	4.5	0.8	0.5	0.5
2	7.0	6.0	6.0	1.5	1.0	1.0
3	10.0	9.0	8.0	1.8	1.2	1.2
4	13.0	12.0	10.0	2.0	1.4	1.4
5	15.5	14.0	11.0	2.3	1.5	1.5
6	18.0	16.0	12.0	2.5	1.6	1.6
9	26.0	23.0	17.0	3.5	2.5	2.5
12	34.0	30.0	23.0	4.5	3.5	3.5
15	40.0	35.0	30.0	5.5	4.5	4.5
24	60.0	55.0	50.0	6.5	5.5	5.5

REV. B

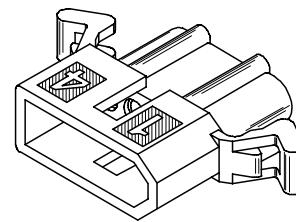
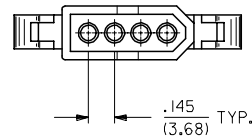
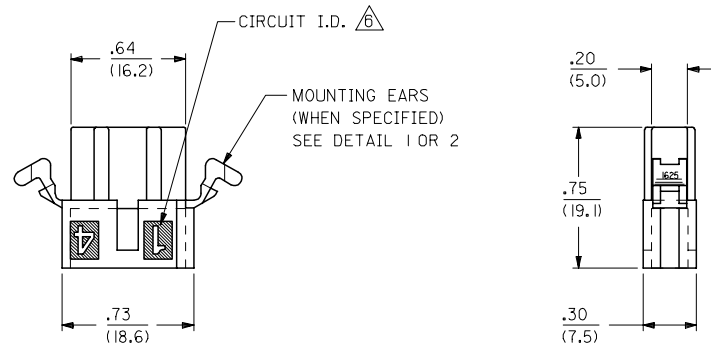
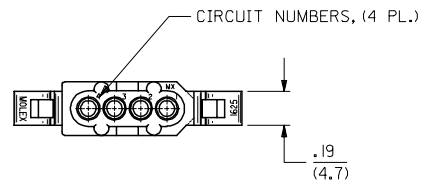
13 12 11 10 9 8 7 6 5 4 3 2 1

J  
I  
H  
G  
F  
E  
D  
C  
B  
A

J  
I  
H  
G  
F  
E  
D  
C  
B  
A



**RECEPTACLE HOUSING**



**PLUG HOUSING**

K1	2	M1
K1	1	M1
MFG.	SHT.	REV.

UPDATE TITLE BLOCK  
 EC NO: UCP2006-1478  
 DRAWN: AELHAG  
 CHKD: ADERR  
 APPR: FSM TH

2006/01/26  
 2006/01/26  
 2006/01/27

QUALITY SYMBOLS	GENERAL TOLERANCES (UNLESS SPECIFIED)	DIMENSION STYLE	SCALE	DESIGN UNITS	THIRD ANGLE PROJECTION
$\nabla=0$ $\nabla=0$	mm INCH	IN/MM	---	INCH	$\odot$ $\square$
	4 PLACES ± --- ± ---	DRAWN BY	DATE	TITLE	
	3 PLACES ± --- ± .010	GC	8/17/92	PLUG & RECEPTACLE HOUSINGS, 4 CIRCUIT, .062 DIA., .145 CENTERS	
	2 PLACES ± 0.25 ± .014	CHECKED BY	DATE	MATERIAL NO.	
	1 PLACE ± 0.36 ± ---	RW	8/17/92	DOCUMENT NO.	
	ANGULAR ± 1 °	APPROVED BY	DATE	SHEET NO.	
		RAS	8/17/92	1 OF 2	
	DRAFT WHERE APPLICABLE MUST REMAIN WITHIN DIMENSIONS	SEE CHART		SD-1625-4*	

DRAWN BY GC  
 CHECKED BY RW  
 APPROVED BY RAS  
 DATE 8/17/92

MOLEX INCORPORATED  
 THIS DRAWING CONTAINS INFORMATION THAT IS PROPRIETARY TO MOLEX INCORPORATED AND SHOULD NOT BE USED WITHOUT WRITTEN PERMISSION

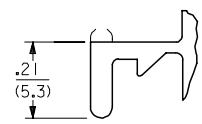
12 11 10 9 8 7 6 5 4 3 2 1

PLUG		
PART NO.	ENG. NO.	
03-06-2041	I625-4P	
03-06-7041	I625-4PBK	OBSOLETE
03-06-2042	I625-4P1	
03-06-7042	I625-4P1BK	
NOT TOOLED	I625-4P2	
NOT TOOLED	I625-4P2BK	
	-	
	-	

RECEPTACLE		
PART NO.	ENG. NO.	
03-06-1041	I625-4R	
03-06-6041	I625-4RBK	OBSOLETE
03-06-1042	I625-4R1	
03-06-6042	I625-4R1BK	
50-29-1758	I625-4R2	
	-	
	-	
	-	

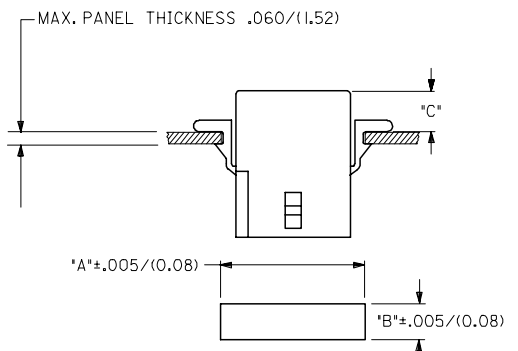
**LEGEND:**

I625-4\*\*\*  
 CIRCUIT SIZE  
 R = RECEPTACLE  
 P = PLUG  
 BLANK = WITH STANDARD MTG. EARS  
 1 = WITHOUT EARS  
 2 = WITH PREBENT MTG. EARS  
 BLANK = NOT DYED  
 AM=AMBER BK=BLACK BU=BLUE  
 BN=BROWN GY=GRAY GN=GREEN  
 OR=ORANGE RD=RED YW=YELLOW



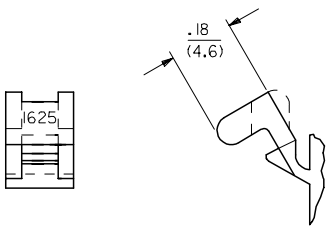
**DETAIL 1**

STANDARD MOUNTING EARS  
 (SCALE 4:1)



RECOMMENDED PANEL OPENING

	DIM. "A"	DIM. "B"	*C* PREBENT EAR	*C* STANDARD EAR
PLUG	.865/(21.97)	.312/(7.92)	.19/(4.8)	.18/(4.6)
RECEPT.	.785/(19.94)	.260/(6.60)	.21/(5.3)	.20/(5.1)



**DETAIL 2**

PREBENT MOUNTING EARS  
 (SCALE 4:1)

**NOTES:**

- MATERIAL - NYLON TYPE 6/6, 94V-2
  - FINISH: N/A.
  - THIS PRODUCT COMPLIES WITH MOLEX PRODUCT SPEC 02-06.
  - PACKAGING: NOT SPECIFIED.
  - HOUSINGS FOR USE WITH MOLEX .062/(1.57) DIA. SERIES TERMINALS.
- △ CIRCUIT I.D. NUMBERS ON SIDE OF HOUSING APPEAR ON PARTS FROM TOOLS BUILT AFTER 8/10/92.

ADD P/N 1625-4R2 EC NO: UCP2006-1478 DRW:NAELHAG 2006/01/26 CHKD:ADERR 2006/01/26 APPR:FSM TH 2006/01/27 M1	QUALITY SYMBOLS ▽=0 ▽=0	GENERAL TOLERANCES (UNLESS SPECIFIED) mm INCH 4 PLACES ± --- ± --- 3 PLACES ± --- ± .010 2 PLACES ± 0.25 ± .014 1 PLACE ± 0.36 ± --- ANGULAR ± 1 °		DIMENSION STYLE IN/MM DRAWN BY DATE GC 8/17/92 CHECKED BY DATE RW 8/17/92 APPROVED BY DATE RAS 8/17/92		SCALE ---	DESIGN UNITS INCH	THIRD ANGLE PROJECTION
		DRAFT WHERE APPLICABLE MUST REMAIN WITHIN DIMENSIONS		SEE CHART		MATERIAL NO. RAS	DOCUMENT NO. SD-1625-4*	SHEET NO. 2 OF 2

THIS DRAWING CONTAINS INFORMATION THAT IS PROPRIETARY TO MOLEX INCORPORATED AND SHOULD NOT BE USED WITHOUT WRITTEN PERMISSION