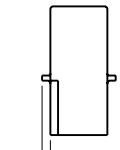
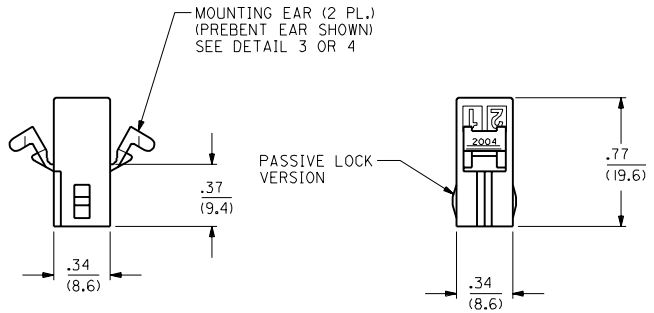
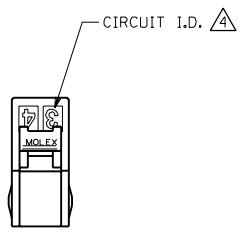
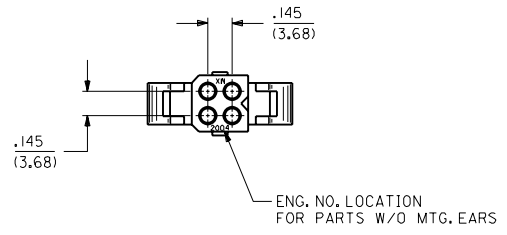


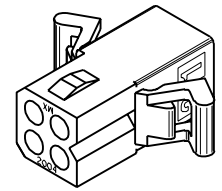
**DETAIL 1**  
 POSITIVE LOCK VERSION  
 ENG. NO. 2004-R5\*



ALLOWANCE OF .000/.060 (0.00/1.52) (2 PL.) FOR CUT OFF OF MOUNTING EARS  
**DETAIL 2**  
 RECEPTACLE WITHOUT EARS OR DETENTS, ENG. NO. 2004-R3\*



ENG. NO. LOCATION FOR PARTS W/O MTG. EARS



**RECEPTACLE HOUSING**

DIMENSIONS SHOWN METRIC (INCH)		▽ = 0 ▼ = 0		REVISE ONLY ON CAD SYSTEM	
UNLESS OTHERWISE SPECIFIED TOLERANCES: ANGULAR ± .001		TITLE		PLUG AND RECEPTACLE HOUSINGS, 4 CIRCUIT .062/(1.57) DIA.	
3 PLACE	± .010	---	---	PART NO. <b>MOLEX INCORPORATED</b> L15LEJLL 60532 U.S.A.	SHEET NO. 2 DATE 8/27/91
2 PLACE	± .014	± 0.25	---		
1 PLACE	---	± 0.36	---		
DRAFT WHERE APPLICABLE MUST REMAIN WITHIN DIMENSIONS		DRAWING NO. <b>SD-2004-*</b>		SEE CHART	
DRW. BY <b>RS</b>	CHKD. BY <b>RS</b>	SCALE 4:1	FILE NAME H2004C4.S05	DIV. CP	
LTR.	REVISIONS	LTR.	REVISIONS	I SEE SHEET I	

PLUG		PART NO.	ENG. NO.
PART NO.	ENG. NO.		
03-06-2043	2004-P		
03-06-7043	2004-PBK		
03-06-2044	2004-PI		
03-06-7044	2004-PIBK		
PRELIMINARY	2004-P2		
03-06-7045	2004-PIRD	<b>OBSOLETE</b>	
03-06-7046	2004-PIBN	<b>OBSOLETE</b>	
03-06-7047	2004-PIOR	<b>OBSOLETE</b>	

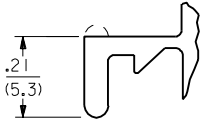
RECEPTACLE		PART NO.	ENG. NO.	
PART NO.	ENG. NO.			
03-06-1043	2004-R			
03-06-6043	2004-RBK			
03-06-1044	2004-RI			
03-06-6044	2004-RIBK	<b>OBSOLETE</b>		
03-06-1046	2004-R3	<b>OBSOLETE</b>		
03-06-1052	2004-R5	<b>OBSOLETE</b>		
03-06-6052	2004-R5BK	<b>OBSOLETE</b>		
PRELIMINARY	2004-R2			
03-06-6045	2004-RRD	<b>OBSOLETE</b>		
03-06-6046	2004-RBN	<b>OBSOLETE</b>		
03-06-6048	2004-ROR	<b>OBSOLETE</b>		

**LEGEND:**

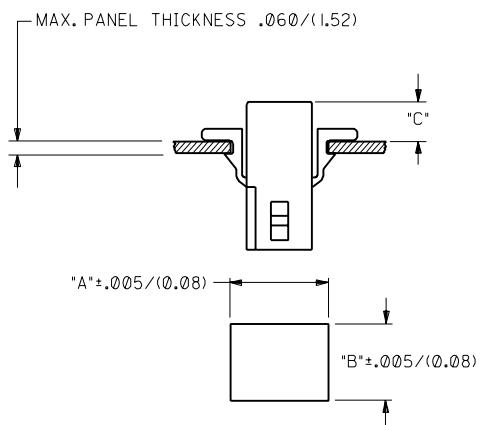
2004-\*\*\*  
 P = PLUG  
 R = RECEPTACLE

BLANK = WITH STANDARD EARS  
 1 = WITHOUT EARS  
 2 = WITH PREBENT EARS  
 3 = W/O EARS, W/O DETENTS  
 5 = W/O EARS, WITH POSITIVE LOCKS

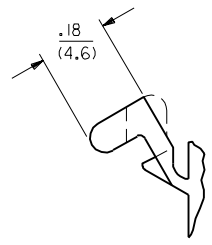
COLOR:  
 BLANK = NATURAL  
 AM=AMBER BK=BLACK BU=BLUE  
 BN=BROWN GY=GRAY GN=GREEN  
 OR=ORANGE RD=RED YW=YELLOW



**NOTE:**  
 THIS DRAWING ENCOMPASSES ALL 2004 SERIES HOUSINGS EXCEPT 2004-R7.



- NOTES:**
- MATERIAL - NYLON TYPE 6/6, 94V-2
  - THIS PRODUCT COMPLIES WITH MOLEX PRODUCT SPEC 02-06.
  - HOUSINGS FOR USE WITH MOLEX .062/(1.57) DIA. SERIES TERMINALS.
  - CIRCUIT I.D. NUMBERS ON SIDE OF HOUSING APPEAR ON PARTS FROM TOOLS BUILT AFTER 8/26/91.
  - THIS DIMENSION .020/(0.51) LESS ON TOOLS BUILT PRIOR TO 8/26/91.



**RECOMMENDED HOLE PATTERN**

HOUSING	DIM. "A"	DIM. "B"	PREBENT EAR DIM. "C"	STD. EAR DIM. "C"
PLUG	.615 (15.62)	.465 (11.81)	.26 (6.6)	.26 (6.6)
RECEPTACLE	.506 (12.85)	.400 (10.16)	.24 (6.1)	.24 (6.1)

**DETAIL 4**

PREBENT MOUNTING EARS  
 (SCALE 4:1)

**DETAIL 3**

STANDARD MOUNTING EARS  
 (SCALE 4:1)

DIMENSIONS SHOWN (METRIC) INCH UNLESS OTHERWISE SPECIFIED TOLERANCES ANGULAR 1/16 10		REVISE ONLY ON CAD SYSTEM	
INCH METRIC		TITLE	
3 PLACE ± .010	---	PLUG AND RECEPTACLE HOUSINGS, 4 CIRCUIT	
2 PLACE ± .014	± 0.25	.062/(1.57) DIA.	
1 PLACE ---	± 0.36	MOLEX INCORPORATED U.S.A.	
DRAFT WHERE APPLICABLE MUST REMAIN WITHIN DIMENSIONS		PART NO. SD-2004-*	
DRAWN BY: JJS		SHEET NO. 3	
CHK'D BY: RW		DATE 8/28/91	
APP'D BY: RS		SCALE 2:1	
LTR.	REVISIONS	LTR.	REVISIONS