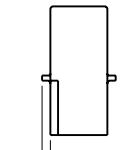
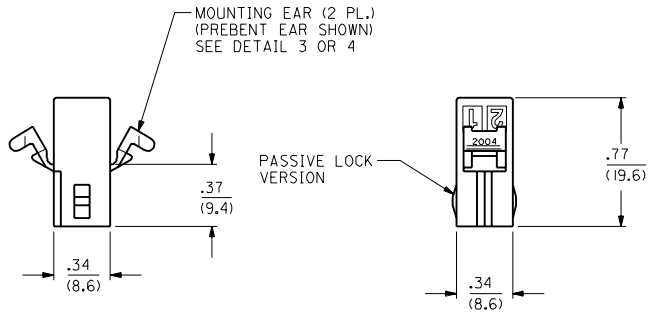
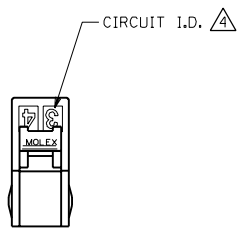
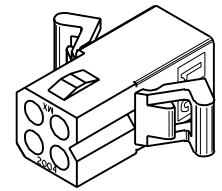
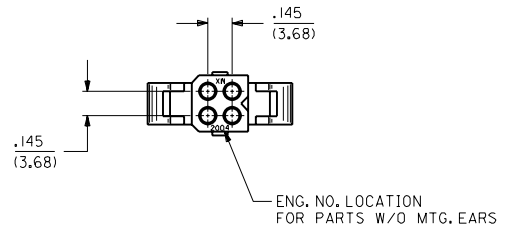


DETAIL 1
POSITIVE LOCK VERSION
ENG. NO. 2004-R5*



DETAIL 2
RECEPTACLE WITHOUT EARS
OR DETENTS, ENG. NO. 2004-R3*

ALLOWANCE OF .000/.060 (0.00/1.52) (2 PL.) FOR CUT OFF OF MOUNTING EARS



RECEPTACLE HOUSING

DIMENSIONS SHOWN METRIC (INCH)		▽ = 0 ▼ = 0		REVISE ONLY ON CAD SYSTEM	
UNLESS OTHERWISE SPECIFIED TOLERANCES: ANGULAR ± .0010		TITLE		PLUG AND RECEPTACLE HOUSINGS, 4 CIRCUIT .062/(1.57) DIA.	
INCH METRIC		FILE NAME		MOLLEX INCORPORATED	
3 PLACE ± .010	---	H2004C4		SHEET NO. 2	
2 PLACE ± .014	± 0.25	S05		DATE 8/27/91	
1 PLACE ---	± 0.36	PART NO.		DRAWING NO.	
DRAFT WHERE APPLICABLE MUST REMAIN WITHIN DIMENSIONS		SEE CHART		SD-2004-*	
DRW. BY	CHKD. BY	SCALE	4: 1	DIV. SIZE	
APP'D. BY	RS			CP C	
LTR.	REVISIONS	LTR.	REVISIONS		
	I SEE SHEET I				

PLUG		PART NO.	ENG. NO.
PART NO.	ENG. NO.		
03-06-2043	2004-P		
03-06-7043	2004-PBK		
03-06-2044	2004-PI		
03-06-7044	2004-PIBK		
PRELIMINARY	2004-P2		
03-06-7045	2004-PIRD	OBSOLETE	
03-06-7046	2004-PIBN	OBSOLETE	
03-06-7047	2004-PIOR	OBSOLETE	

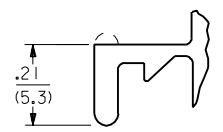
RECEPTACLE		PART NO.	ENG. NO.	
PART NO.	ENG. NO.			
03-06-1043	2004-R			
03-06-6043	2004-RBK			
03-06-1044	2004-RI			
03-06-6044	2004-RIBK	OBSOLETE		
03-06-1046	2004-R3	OBSOLETE		
03-06-1052	2004-R5	OBSOLETE		
03-06-6052	2004-R5BK	OBSOLETE		
PRELIMINARY	2004-R2			
03-06-6045	2004-RRD	OBSOLETE		
03-06-6046	2004-RBN	OBSOLETE		
03-06-6048	2004-ROR	OBSOLETE		

LEGEND:

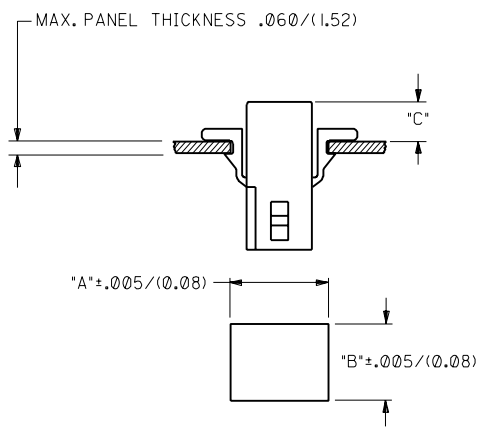
2004-***
 P = PLUG
 R = RECEPTACLE

BLANK = WITH STANDARD EARS
 1 = WITHOUT EARS
 2 = WITH PREBENT EARS
 3 = W/O EARS, W/O DETENTS
 5 = W/O EARS, WITH POSITIVE LOCKS

COLOR:
 BLANK = NATURAL
 AM=AMBER BK=BLACK BU=BLUE
 BN=BROWN GY=GRAY GN=GREEN
 OR=ORANGE RD=RED YW=YELLOW



NOTE:
 THIS DRAWING ENCOMPASSES ALL 2004 SERIES HOUSINGS EXCEPT 2004-R7.



RECOMMENDED HOLE PATTERN

HOUSING	DIM. "A"	DIM. "B"	PREBENT EAR DIM. "C"	STD. EAR DIM. "C"
PLUG	.615 (15.62)	.465 (11.81)	.26 (6.6)	.26 (6.6)
RECEPTACLE	.506 (12.85)	.400 (10.16)	.24 (6.1)	.24 (6.1)

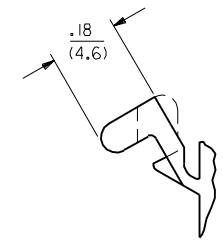
NOTES:

- MATERIAL - NYLON TYPE 6/6, 94V-2
- THIS PRODUCT COMPLIES WITH MOLEX PRODUCT SPEC 02-06.
- HOUSINGS FOR USE WITH MOLEX .062/(1.57) DIA. SERIES TERMINALS.
- CIRCUIT I.D. NUMBERS ON SIDE OF HOUSING APPEAR ON PARTS FROM TOOLS BUILT AFTER 8/26/91.
- THIS DIMENSION .020/(0.51) LESS ON TOOLS BUILT PRIOR TO 8/26/91.

DETAIL 3
 STANDARD MOUNTING EARS
 (SCALE 4:1)



DETAIL 4
 PREBENT MOUNTING EARS
 (SCALE 4:1)



DIMENSIONS SHOWN (METRIC) INCH UNLESS OTHERWISE SPECIFIED TOLERANCES ANGULAR		REVISE ONLY ON CAD SYSTEM	
INCH METRIC		TITLE	
3 PLACE ± .010	---	PLUG AND RECEPTACLE HOUSINGS, 4 CIRCUIT	
2 PLACE ± .014	± 0.25	.062/(1.57) DIA.	
1 PLACE ---	± 0.36	MOLEX INCORPORATED U.S.A.	
DRAFT WHERE APPLICABLE MUST REMAIN WITHIN DIMENSIONS		PART NO.	DRWG. NO.
DRAWN BY: JJS		FILE NAME: H2004C4	SD-2004-*
CHECKED BY: RW		DATE: 8/28/91	CP C
APPROVED BY: RS		THIS DRAWING CONTAINS INFORMATION THAT IS PROPRIETARY TO MOLEX INC. AND SHOULD NOT BE USED WITHOUT WRITTEN PERMISSION.	