

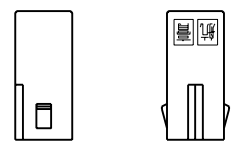
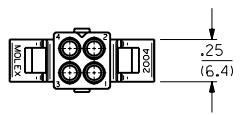
Distributed by:

**JAMECO**<sup>®</sup>  
ELECTRONICS

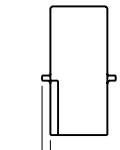
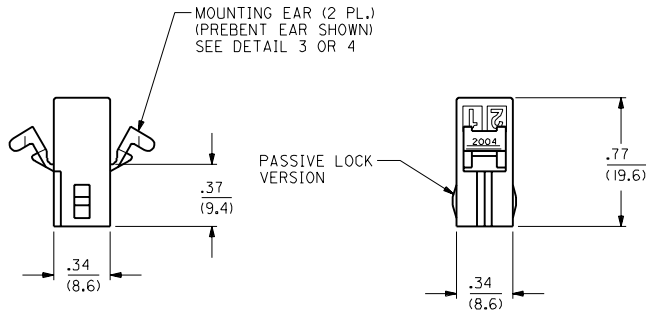
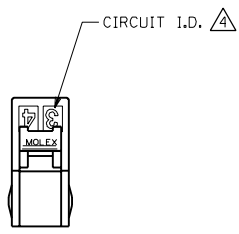
**www.Jameco.com ♦ 1-800-831-4242**

The content and copyrights of the attached  
material are the property of its owner.

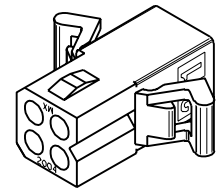
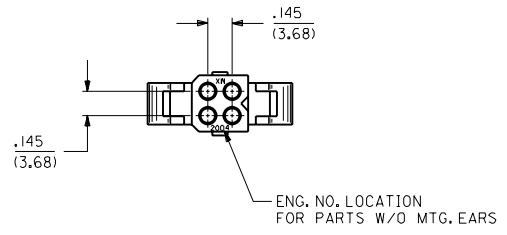
Jameco Part Number 224434



**DETAIL 1**  
 POSITIVE LOCK VERSION  
 ENG. NO. 2004-R5\*



ALLOWANCE OF  $\frac{.000}{.060}$  (2 PL.) FOR CUT OFF OF MOUNTING EARS  
 $\frac{(0.00/1.52)}$   
**DETAIL 2**  
 RECEPTACLE WITHOUT EARS OR DETENTS, ENG. NO. 2004-R3\*



**RECEPTACLE HOUSING**

DIMENSIONS SHOWN METRIC INCH		▽ = 0 ▼ = 0		REVISE ONLY ON CAD SYSTEM	
UNLESS OTHERWISE SPECIFIED TOLERANCES: ANGULAR ± .0010		TITLE		PLUG AND RECEPTACLE HOUSINGS, 4 CIRCUIT .062/(1.57) DIA.	
INCH METRIC		FILE NAME		PART NO.	
3 PLACE ± .010	---	H2004C4		MOLEX INCORPORATED	
2 PLACE ± .014	± 0.25	SCALE		L15LEJLL 60532	
1 PLACE ---	± 0.36	4: 1		SHEET NO. 2 DATE 8/27/91	
DRAFT WHERE APPLICABLE MUST REMAIN WITHIN DIMENSIONS		DRWG. NO.		SD-2004-*	
DRWG. BY: RS		CHKD. BY: RW		SEE CHART	
APP'D. BY:		SCALE		DIV. CP	
LTR. REVISIONS		LTR. REVISIONS		SIZE C	
I SEE SHEET I					

PLUG		OBSOLETE
PART NO.	ENG. NO.	
03-06-2043	2004-P	
03-06-7043	2004-PBK	
03-06-2044	2004-PI	
03-06-7044	2004-PIBK	
PRELIMINARY	2004-P2	
03-06-7045	2004-PIRD	
03-06-7046	2004-PIBN	
03-06-7047	2004-PIOR	

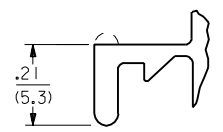
RECEPTACLE		OBSOLETE
PART NO.	ENG. NO.	
03-06-1043	2004-R	
03-06-6043	2004-RBK	
03-06-1044	2004-RI	
03-06-6044	2004-RIBK	
03-06-1046	2004-R3	
03-06-1052	2004-R5	
03-06-6052	2004-R5BK	
PRELIMINARY	2004-R2	
03-06-6045	2004-RRD	
03-06-6046	2004-RBN	
03-06-6048	2004-ROR	

**LEGEND:**

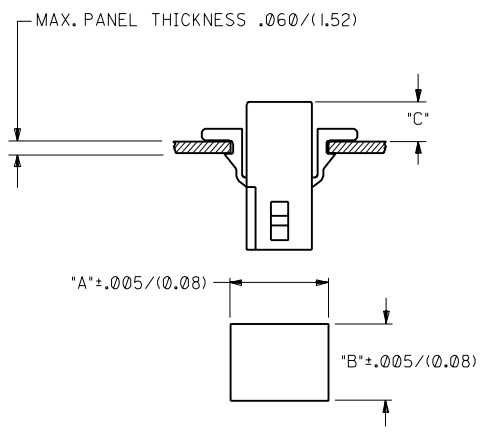
2004-\*\*\*  
 P = PLUG  
 R = RECEPTACLE

BLANK = WITH STANDARD EARS  
 1 = WITHOUT EARS  
 2 = WITH PREBENT EARS  
 3 = W/O EARS, W/O DETENTS  
 5 = W/O EARS, WITH POSITIVE LOCKS

COLOR: \_\_\_\_\_  
 BLANK = NATURAL  
 AM=AMBER BK=BLACK BU=BLUE  
 BN=BROWN GY=GRAY GN=GREEN  
 OR=ORANGE RD=RED YW=YELLOW



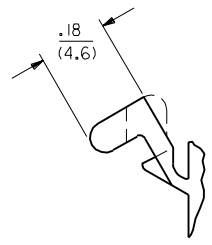
**NOTE:**  
 THIS DRAWING ENCOMPASSES ALL 2004  
 SERIES HOUSINGS EXCEPT 2004-R7.



- NOTES:**
- MATERIAL - NYLON TYPE 6/6, 94V-2
  - THIS PRODUCT COMPLIES WITH MOLEX  
 PRODUCT SPEC 02-06.
  - HOUSINGS FOR USE WITH MOLEX  
 .062/(1.57) DIA. SERIES TERMINALS.
  - CIRCUIT I.D. NUMBERS ON SIDE OF HOUSING APPEAR  
 ON PARTS FROM TOOLS BUILT AFTER 8/26/91.
  - THIS DIMENSION .020/(0.51) LESS ON TOOLS BUILT  
 PRIOR TO 8/26/91.

**RECOMMENDED HOLE PATTERN**

HOUSING	DIM. "A"	DIM. "B"	PREBENT EAR DIM. "C"	STD. EAR DIM. "C"
PLUG	.615 (15.62)	.465 (11.81)	.26 (6.6)	.26 (6.6)
RECEPTACLE	.506 (12.85)	.400 (10.16)	.24 (6.1)	.24 (6.1)



**DETAIL 4**

PREBENT MOUNTING EARS  
 (SCALE 4:1)

**DETAIL 3**

STANDARD MOUNTING EARS  
 (SCALE 4:1)

DIMENSIONS SHOWN (METRIC) INCH		UNLESS OTHERWISE SPECIFIED TOLERANCES ANGULAR		REVISE ONLY ON CAD SYSTEM	
3 PLACE ± .010		10		TITLE	
INCH		METRIC		PLUG AND RECEPTACLE HOUSINGS, 4 CIRCUIT .062/(1.57) DIA.	
3 PLACE ± .010	---	---	± 0.25	MOLEX INCORPORATED U.S.A. SHEET NO. 3 DATE 8/28/91	
2 PLACE ± .014	± 0.25	SEE CHART SD-2004-*			
1 PLACE ---	± 0.36	DRAWG. NO.			
DRAFT WHERE APPLICABLE MUST REMAIN WITHIN DIMENSIONS		PART NO. H2004C4 69532			
DRWG. BY JJS		CHK'D. BY RW		FILE NAME H2004C4 506	
APP'D. BY RS		SCALE 2 : 1		THIS DRAWING CONTAINS INFORMATION THAT IS PROPRIETARY TO MOLEX INC. AND SHOULD NOT BE USED WITHOUT WRITTEN PERMISSION.	
LTR. REVISIONS		LTR. REVISIONS		DIV. CP	