

PLEASE CHECK WWW.MOLEX.COM FOR LATEST PART INFORMATION

Part Number: [0003061122](#)

Status: **Active**

Overview:

Description: 1.57mm (.062") Diameter Standard .062 Pin and Socket Receptacle Housing, 12 Circuits, Without Mounting Ears

Documents:

[3D Model](#)

[Drawing \(PDF\)](#)

[Packaging Specification \(PDF\)](#)

[Product Specification PS-02-06 \(PDF\)](#)

[RoHS Certificate of Compliance \(PDF\)](#)

General

Product Family	Crimp Housings
Series	1625
Comments	Polarized to Mating Part
Overview	Standard .062"
Product Name	Standard .062"

Physical

Breakaway	No
Circuits (maximum)	12
Circuits Detail	3x4
Color - Resin	Natural
Flammability	94V-2
Gender	Receptacle
Glow-Wire Compliant	No
Keying to Mating Part	None
Lock to Mating Part	Yes
Material - Resin	Nylon
Number of Rows	3
Packaging Type	Bag
Panel Mount	No
Pitch - Mating Interface (in)	0.145 In
Pitch - Mating Interface (mm)	3.68 mm
Pitch - Term. Interface (in)	0.145 In
Pitch - Term. Interface (mm)	3.96 mm
Polarized to Mating Part	Yes
Stackable	No
Temperature Range - Operating	-40°C to +105°C

Electrical

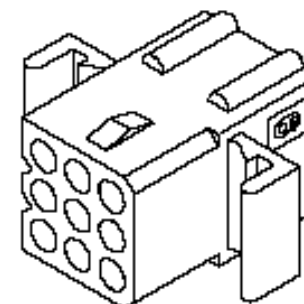
CSA	LR19980
Current - Maximum	5A
TUV	R72081037
UL	E29179

Material Info

Old Part Number	1625-12R1
-----------------	-----------

Reference - Drawing Numbers

Product Specification	PS-02-06
Sales Drawing	SD-1625-12*



Series image - Reference only

EU RoHS

**ELV and RoHS
Compliant**

REACH SVHC

Contains SVHC: No

Halogen-Free

Status

Not Reviewed

**Need more information on product
environmental compliance?**

Email productcompliance@molex.com
Please visit the [Contact Us](#) section for any
non-product compliance questions.

China RoHS



Search Parts in this Series

[1625 Series](#)

Mates With

[1625 Plug](#)

Use With

Female Crimp Terminals [1561Link:4559](#)
, [4529](#) , [2190](#) , [2189](#) , [1787](#) , [1855](#) . Male
Crimp Terminals [1560](#) , [1786](#) , [1854](#) . [1778](#)
Male PC Tail Terminals. [1779](#) Female PC
Tail Terminals