

Distributed by:



[www.Jameco.com](http://www.Jameco.com) ♦ 1-800-831-4242

The content and copyrights of the attached material are the property of its owner.

Jameco Part Number 224485

The subject products should meet the following requirements when tested under the condition of involving all circuits with terminals crimped on the specified maximum size wire.

1. Electrical Performance

	Item	Test Condition	Requirement
1-1	Rated voltage and current		1~15 CKTS. AC&DC 250V 5A
			24 CKTS. AC&DC 250V 4A
1-2	Contact resistance	Mate connectors measure by Dry Circuit, 20mV max., 10mA.	10 mΩ max.
1-3	Dielectric strength	When applied AC 1500V 1 minute between adjacent terminals or ground	No breakdown
1-4	Insulation resistance	When applied DC 500V between adjacent terminals or ground	1000 MΩ min.

2. Mechanical Performance

	Item	Test Condition	Requirement
2-1	Insertion force	Mating speed : 25±3mm/minute	See para 7
2-2	Extraction force	Disengaging speed : 25±3mm/minute	See para 7
2-3	Durability	When mated up to 30 cycles by the rate of 10 cycles per minute	Contact resistance 20 mΩ max.
			Insertion extraction force See para 7
2-4	Terminal retention force	Pull speed : 25±3mm/minute	7.0 kg min.
2-5	Terminal strength	When applied a load of 500gw, 1 minute	No damage

3. Environmental Performance

	Item	Test Condition	Requirement
3-1	Temperature rise	When carried the rated current	30 °C max.
3-2	Vibration	1.5mm,10-55-10Hz/min.,each 2 hrs. for X,Y&Z directions, applying 1mA-DC current	Contact resistance 20 mΩ max.
			Discontinuity 1 μsec. max.
			Appearance No damage
3-3	Shock	50G,each 3 times for X,Y,Z directions, applying 1mA-DC current	Discontinuity 1 μsec. max.
			Appearance No damage

REV. B

Item	Test Condition	Requirement	
3-4 Solderability	Soldering time : 3 ± 0.5 sec. Soldering pot : 230 ± 5 °C	Min. 3/4 of immersed area	
3-5 Resistance to soldering heat	Soldering time : 5 ± 0.5 sec. Soldering pot : 260 ± 5 °C	No damage	
3-6 Heat resistance	85 ± 2°C, 96 hours	Contact resistance	20 mΩ max.
		Appearance	No damage
3-7 Humidity	Temperature : 40±2°C Relative Humidity: 90~95% Duration : 96 hours Measurement must be taken within 30 minute after tested	Contact resistance	20 mΩ max.
		Dielectric strength	To pass para 1-3
		Insulation resistance	100 MΩ min.
		Appearance	No damage
3-8 Temperature cycling ( 5 cycles )	One cycle consists of (1) -55±3°C, 30 minute (2) Room temp. 10~15 minute (3) 105±2°C, 30 minute (4) Room temp. 10~15 minute	Contact resistance	20 mΩ max.
		Appearance	No damage
3-9 Salt Spray	Temperature: 35±2°C Solution : 5±1% Spray time : 48±4 hours Measurement must be taken after water rinse.	Contact resistance	20 mΩ max.
		Appearance	No significant corrosion
3-10 SO <sub>2</sub> Gas	24 hours in sulfur dioxide gas (SO <sub>2</sub> ) 50±5ppm at 40±2°C	Contact resistance	20 mΩ max.

4. Terminal To Be Used

	Customer P/No.	Molex P/No.	Wire Size	Insulation Dia.
1.		1560,1561	AWG #18 ~ #24	φ (1.5) ~ 3.1
2.		1854,1855	AWG #22 ~ #28	φ (1.1) ~ 1.5
3.		1778,1779	-----	-----
4.				

5. Ambient Temperature Range : -40°C ~ 105°C

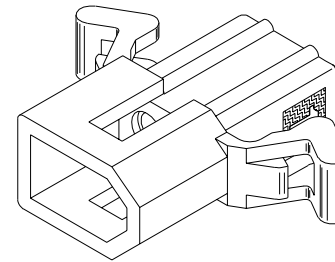
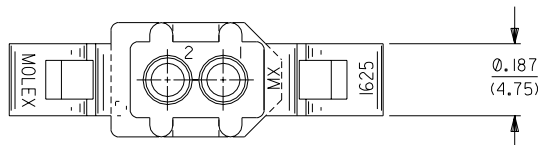
6. Construction, Dimension and Material : Specified by the attached drawing.

REV. B

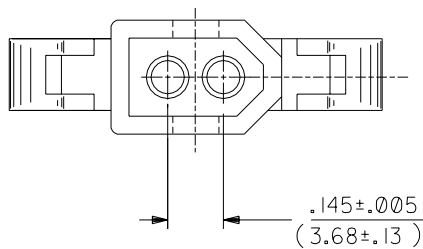
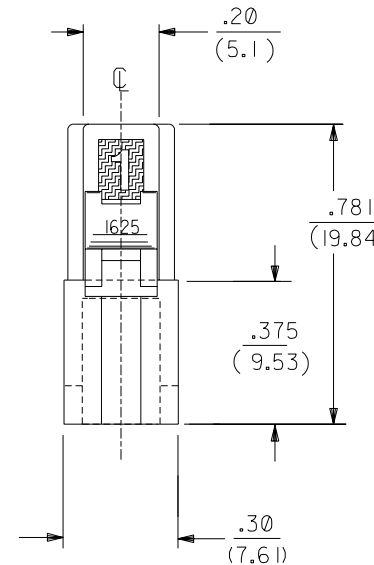
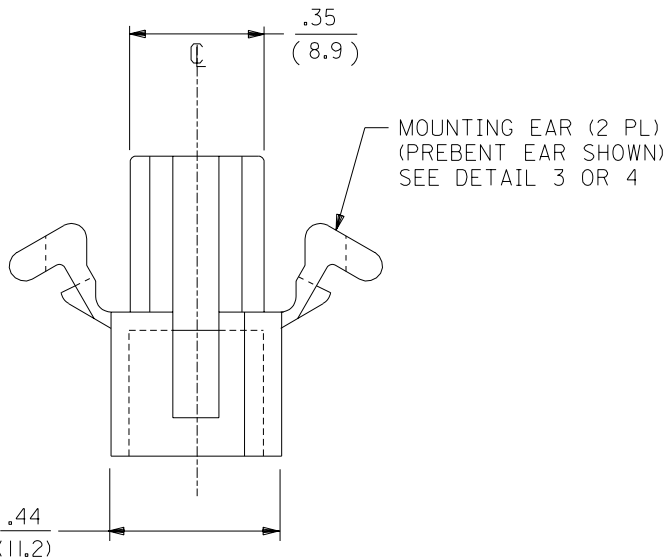
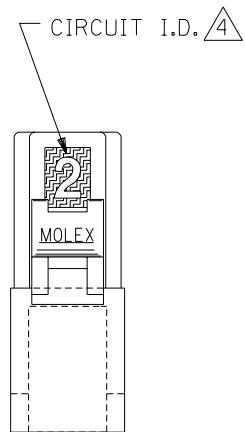
7. Insertion and Extraction Force

No of Ckt.	Insertion Force (kgf, max.)			Extraction Force (kgf, min.)		
	1st	6th	30th	1st	6th	30th
1	5.0	4.5	4.5	0.8	0.5	0.5
2	7.0	6.0	6.0	1.5	1.0	1.0
3	10.0	9.0	8.0	1.8	1.2	1.2
4	13.0	12.0	10.0	2.0	1.4	1.4
5	15.5	14.0	11.0	2.3	1.5	1.5
6	18.0	16.0	12.0	2.5	1.6	1.6
9	26.0	23.0	17.0	3.5	2.5	2.5
12	34.0	30.0	23.0	4.5	3.5	3.5
15	40.0	35.0	30.0	5.5	4.5	4.5
24	60.0	55.0	50.0	6.5	5.5	5.5

REV. B



PLUG HOUSING



AE	REV DIM'S/OBS P/N'S UCP2003-1545 AELHAG, 03-01-31	
ADI	REVISED UCR1998-0112 WANG 98-04-07	
AD	REVISED ECN U81434 WANG 98-01-06	
AC	ADD -2R1 BU ECN #U6 1505 5-31-96 RW	
AB	CHG. -2R's TO -2R2's ECR U4 0671 CNC 5/26/94 RW	
AA	REMOVE 1625-2P ECR U2 1817 CNC 12/16/92 RW	
ZI	FINAL REL. -2P2BK ECN #U3 0328 3-2-93 RW	
Z	REVISE PER ECR U2 0850 CNC 6/8/92 RW	
Y	REVISE PER ECR U1 2251 CNC 11/20/91 RW	
X	REVISE PER ECR U1 1963 CNC 10/29/91 RW	
W	REVISE RECEPTACLE PER ECR U1 1034 CNC 7/2/91 RW	
V	ADD CKT ID RIBS ECR U0 0229 CNC 2/27/90 RW	
T	ADD -2PGN OPTION ECR # US 0979 8-21-89 RW	
S	REVISED PER ECR #U90390 GEP 4-26-89 RW	
R	ADDED OPTIONS ECR # U90277 KBW 03-22-89 RW	
P	REV. CORE DETAILS ECR # U8 1202 GEP 3-29-88 RW	
N	REDRAWN PER ECR #9482 7-27-87 ME/RW	
3	AE	
2	AE	
1	AE	

DIMENSIONS SHOWN (METRIC) INCH  
 UNLESS OTHERWISE SPECIFIED  
 TOLERANCES: ANGULAR  $\pm$  .5°

PLACES	INCH	METRIC
3 PLACES	$\pm$ .007	---
2 PLACES	$\pm$ .010	$\pm$ 0.18
1 PLACE	---	$\pm$ 0.25

DRAFT WHERE APPLICABLE MUST  
 REMAIN WITHIN DIMENSIONS

DRWG. BY: JJS CHK'D. BY: RW  
 APP'D. BY: RAS SCALE: 4:1

TITLE: PLUG & RECEPTACLE HOUSINGS  
 2 CIRCUIT, .062/(1.57) DIA.

MOLEX INCORPORATED  
 LISLE, ILL. 60532 U.S.A.

SHEET NO. 1 OF 3  
 DATE 4/13/88

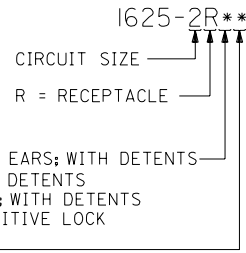
PART NO. SD-1625-2\*  
 DRWG. NO.

THIS DRAWING CONTAINS INFORMATION THAT IS PROPRIETARY TO MOLEX INC. AND SHOULD NOT BE USED WITHOUT WRITTEN PERMISSION.

PLUG		OBSOLETE
PART NO.	ENG. NO.	
03-06-7023	I625-2PIBK	
03-06-2023	I625-2P1	
03-06-7027	I625-2P2BK	
03-06-2024	I625-2P2	

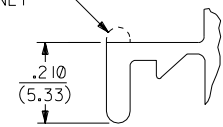
RECEPTACLE		OBSOLETE
PART NO.	ENG. NO.	
03-06-6023	I625-2RIBK	
03-06-1020	I625-2R3	
03-06-1023	I625-2R1	
03-06-1022	I625-2R2	
03-06-6025	I625-2R2RD	OBSOLETE
03-06-6026	I625-2R2GN	OBSOLETE
03-06-6027	I625-2R2BU	OBSOLETE
03-06-6022	I625-2R2BK	OBSOLETE
03-06-6028	I625-2R1BU	OBSOLETE

RECEPTACLE LEGEND:

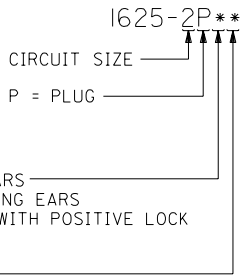


BLANK = WITH STANDARD MOUNTING EARS; WITH DETENTS  
 1 = WITHOUT MOUNTING EARS; WITH DETENTS  
 2 = WITH PREBENT MOUNTING EARS; WITH DETENTS  
 3 = W/O MOUNTING EARS, WITH POSITIVE LOCK

BLANK = NATURAL  
 AM=AMBER BK=BLACK BU=BLUE  
 BN=BROWN GY=GRAY GN=GREEN  
 OR=ORANGE RD=RED YW=YELLOW

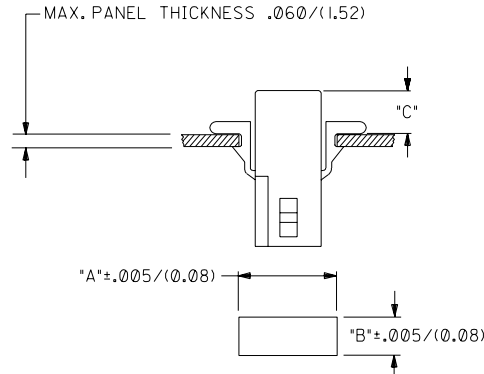


PLUG LEGEND:



1 = WITHOUT MOUNTING EARS  
 2 = WITH PREBENT MOUNTING EARS  
 3 = W/O MOUNTING EARS, WITH POSITIVE LOCK

BLANK = NATURAL  
 AM=AMBER BK=BLACK BU=BLUE  
 BN=BROWN GY=GRAY GN=GREEN  
 OR=ORANGE RD=RED YW=YELLOW



RECOMMENDED HOLE PATTERN

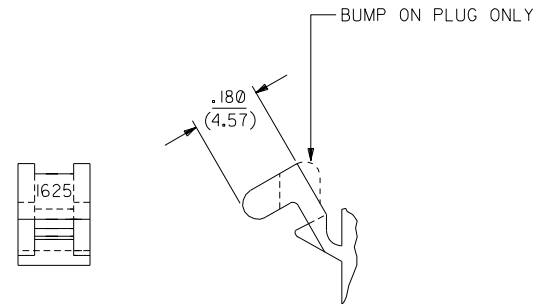
HOUSING	DIM. "A"	DIM. "B"	PREBENT EAR DIM. "C"	STD. EAR DIM. "C"
PLUG	.609 (15.47)	.318 (8.08)	.24 (6.0)	.24 (6.1)
RECEPTACLE	.505 (12.83)	.265 (6.73)	.25 (6.4)	.25 (6.4)

NOTES:

- MATERIAL - NYLON TYPE 6/6, 94V-2
- THIS PRODUCT COMPLIES WITH MOLEX PRODUCT SPEC 02-06.
- HOUSINGS FOR USE WITH MOLEX .062/(1.57) DIA. SERIES TERMINALS.
- CIRCUIT I.D. NUMBERS ON SIDE OF HOUSING APPEAR ON PARTS FROM TOOLS BUILT AFTER 7/1/91.
- POSTIVE LOCK VERSION REQUIRES USE OF A SCREWDRIVER OR SIMILAR TOOL TO LIFT SHROUD ON PLUG HOUSING IN ORDER TO UNMATE RECEPTACLE HOUSING.

DETAIL 3

STANDARD MOUNTING EARS (SCALE 4:1)



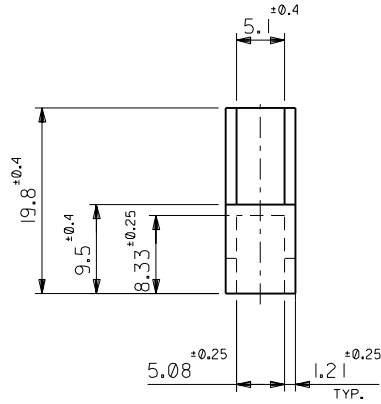
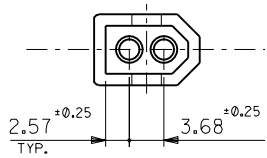
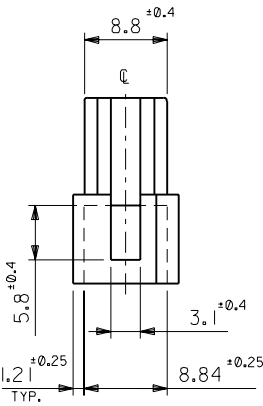
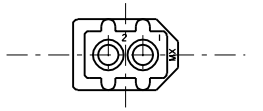
DETAIL 4

PREBENT MOUNTING EARS (SCALE 4:1)

DIMENSIONS SHOWN (METRIC) INCH		▽ = 0 ▼ = 0		REVISE ONLY ON CAD SYSTEM	
UNLESS OTHERWISE SPECIFIED TOLERANCES: ANGULAR ± .5°					
INCH		METRIC		10	
3 PLACE	± .007	---			
2 PLACE	± .010	± .18			
1 PLACE	---	± .25			
DRAFT WHERE APPLICABLE MUST REMAIN WITHIN DIMENSIONS					
DRWG. BY	JJS	CHK'D. BY	RW		
APP'D. BY	RAS	SCALE	2 : 1		
TITLE		PLUG & RECEPTACLE HOUSINGS 2 CIRCUIT, .062/(1.57) DIA.			
MOLEX INCORPORATED		SHEET NO.	3	DATE 4/14/88	
L15LE,ILL. 60532		U.S.A.			
PART NO. SD-1625-2*		DRWG. NO.			
SEE CHART					
THIS DRAWING CONTAINS INFORMATION THAT IS PROPRIETARY TO MOLEX INC. AND SHOULD NOT BE USED WITHOUT WRITTEN PERMISSION.					

LTR.	REVISIONS	LTR.	REVISIONS
	AE	SEE SHT. 1	
	AD1	SEE SHT. 1	
	AD	SEE SHT. 1	

DWG. NO.  
SD-1625-2PI



注記  
NOTE

材質：ナイロン66，94V-2  
MATERIAL:NYLON66,94V-2

DIMENSIONS IN METRIC DO NOT SCALE DRAWING

角度 ANGLE	±3°				
30°以上 OVER	+0.3				
10°以上 30°未満 UNDER	+0.25	E	REVISED (JC90389)	S.K	98/12/23
10°未満 UNDER	+0.2	D	再作図 REDRAWN (JC70302)	H.J	96/07/08
一般公差 GENERAL TOLERANCES		記号 LTR	変更内容 REVISION RECORD	DR. CHR.	日付 DATE

材料 MATERIAL	☒中参照 REFER TO DRAWING	
仕上げ FINISH	—	
適用電線範囲 WIRE RANGE	—	
被覆外径 INS. RANGE	—	
DRAWN BY	98/12/23	CHK'D BY
H.IIJIMA		S.KUNISHI
APP'D BY	98/12/23	尺 度 SCALE
M.FUKUSHIMA		2 : 1

1625-2PI	03-06-2023
ENG NO.	PART NO.
MOLEX-JAPAN CO.,LTD. 日本モレックス株式会社	
REVISE ONLY ON CAD SYSTEM	
TITLE 名称	
.062 DIA. 2 CIRCUIT PLUG HOUSING	
DWG. NO.	REV
SD-1625-2PI	E

THIS DRAWING CONTAINS INFORMATION THAT IS PROPRIETARY TO MOLEX(JAPAN) AND SHOULD NOT BE USED WITHOUT WRITTEN PERMISSION  
本図面は日本モレックス(株)の所有する情報を含むもので 当社の許可なく複製を禁止する。  
EN-01C(032)MXJ-32

8 7 6 5 4 3 2 1

E

D

C

B

A

F

E

D

C

B

A

1625-2PI

8 7 6 5 4 3 2 1