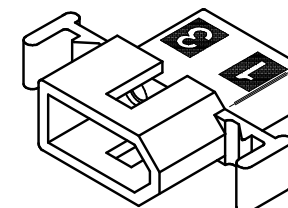
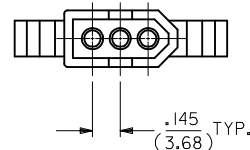
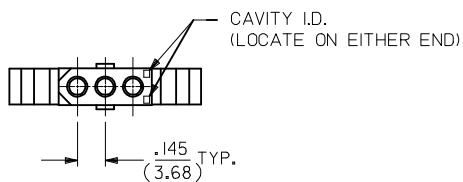
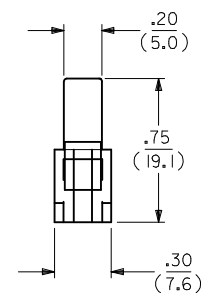
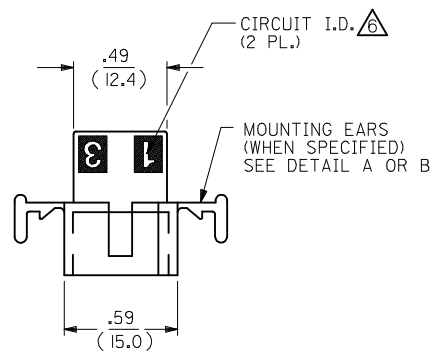
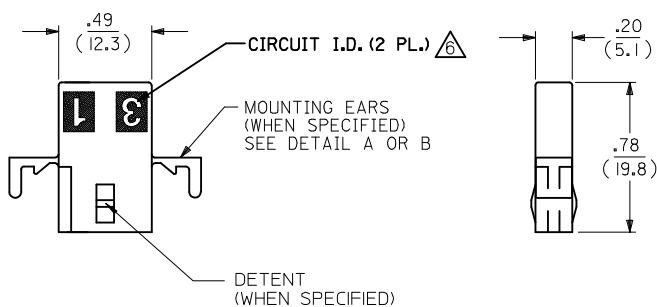
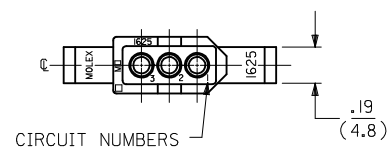
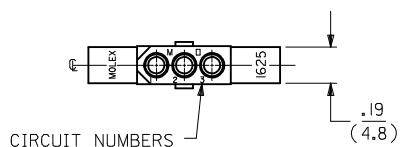
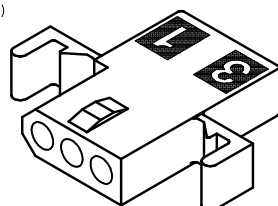


RECEPTACLE

PLUG



PLUG HOUSING
SHOWN WITH STANDARD EARS

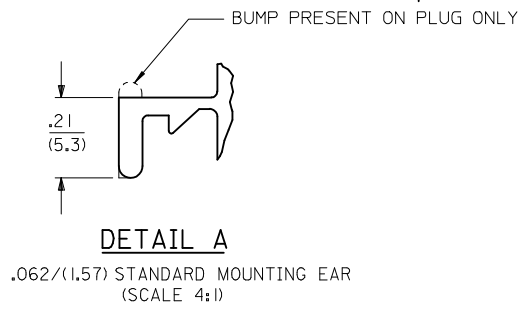


RECEPTACLE HOUSING
SHOWN WITH STANDARD EARS

0306031 OBSOLETE IEC NO: UCP2015-0278 DRWN:KIPPER 2014/07/22 CHKD:JBELL 2014/07/24 APPR:FSMITH 2014/07/31	QUALITY SYMBOLS ▽=0 ▽=0 ▽=0	GENERAL TOLERANCES (UNLESS SPECIFIED)		DIMENSION STYLE IN/MM		SCALE 2:1	DESIGN UNITS INCH	THIRD ANGLE PROJECTION			
		4 PLACES ± --- ± ---	3 PLACES ± --- ± .010	DRAWN BY KBW	DATE 1/26/89	TITLE PLUG AND RECEPTACLE HOUSINGS, 3 CIRCUIT, .062 DIA. molex					
		2 PLACES ± 0.25 ± .014	1 PLACE ± 0.35 ± ---	CHECKED BY RW	DATE 1/26/89						
		0 PLACE ± --- ± ---	ANGULAR ±1/2°		APPROVED BY FSMITH	DATE 2014/07/31	DOCUMENT NO. SD-1625-3*		SHEET NO. 1 OF 2		
M4	DESCRIPTION M4	DRAFT WHERE APPLICABLE MUST REMAIN WITHIN DIMENSIONS		SEE CHART	THIS DRAWING CONTAINS INFORMATION THAT IS PROPRIETARY TO MOLEX INCORPORATED AND SHOULD NOT BE USED WITHOUT WRITTEN PERMISSION						

PLUG		
PART NO.	ENG. NO.	
03-06-2031	I625-3P	
03-06-2032	I625-3P1	
03-06-2034	I625-3P4BK	
03-06-7032	I625-3P1BK	OBSOLETE
03-06-2033	I625-3P4	

RECEPTACLE		
PART NO.	ENG. NO.	
03-06-1033	I625-3R2	
03-06-1031	I625-3R	
03-06-1032	I625-3R1	
03-06-6031	I625-3RBK	OBSOLETE
03-06-6032	I625-3R1BK	OBSOLETE
03-06-1034	I625-3R3	
03-06-1038	I625-3R4	

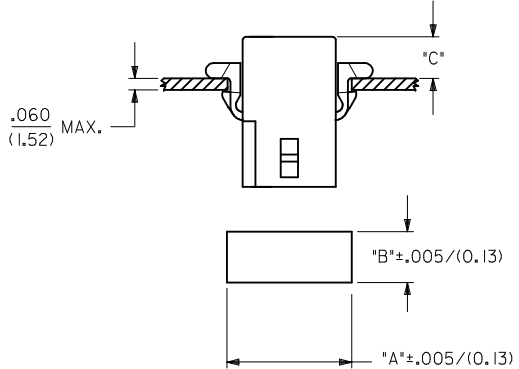


LEGEND:
 1625-3****
 CIRCUIT SIZE
 P = PLUG
 R = RECEPTACLE

OPTION	STANDARD EARS (PER DETAIL A)	PREBENT EARS (PER DETAIL B)	DETENTS
BLANK	X		X
1			X
2			
3	X		
4		X	X

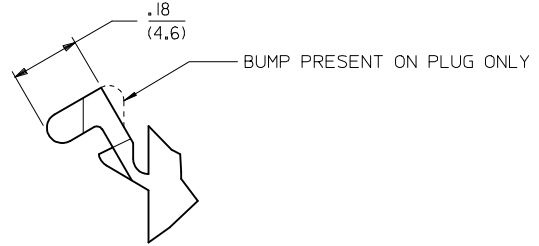
X = PRESENT

COLOR:
 BLANK = NATURAL COLOR
 AM = AMBER BK = BLACK BU = BLUE
 BN = BROWN GY = GRAY GN = GREEN
 OR = ORANGE RD = RED YW = YELLOW



RECOMMENDED PANEL OPENING

HOUSING	DIM. "A"	DIM. "B"	"C" PREBENT EAR	"C" STANDARD EAR
PLUG	.754/(19.15)	.318/(8.08)	.19/(4.8)	.18/(4.6)
RECEPT.	.650/(16.51)	.265/(6.73)	.21/(5.3)	.20/(5.1)



DETAIL B

.062/(1.57)PREBENT MOUNTING EAR (SCALE 4:1)

- NOTES:-
1. MATERIAL: NYLON TYPE 6/6, 94V-2.
 2. FINISH: NONE.
 3. PRODUCT SPECIFICATION: PS-02-06.
 4. PACKAGING SPECS: BULK PACK PER PK-1625-003.
 5. ACCEPTS MOLEX .062" SERIES TERMINALS.

ETCHED CIRCUIT I.D. NUMBERS ON HOUSING MAY OR MAY NOT BE PRESENT.

7. PARTS CONFORM TO CLASS B REQUIREMENTS OF COSMETIC SPECIFICATION PS-45499-002.

SEE SHEET 1 EC NO: UCP2015-0278 DRAWN: KIPPER 2014/07/22 CHKD: BELM 2014/07/24 APPR: FSMITH 2014/07/31	QUALITY SYMBOLS = 0 = 0 = 0	GENERAL TOLERANCES (UNLESS SPECIFIED)		DIMENSION STYLE IN/MM	SCALE 2:1	DESIGN UNITS INCH	THIRD ANGLE PROJECTION		
		4 PLACES ± --- ± --- 3 PLACES ± --- ±.010 2 PLACES ± 0.25 ±.014 1 PLACE ± 0.35 ± --- 0 PLACE ± --- ± ---	mm INCH ± --- ± --- ±.010 ±.010 ±.014 ±.014 ±.035 ± --- ± --- ± ---	DRAWN BY KBW	DATE 1/26/89	TITLE PLUG AND RECEPTACLE HOUSINGS, 3 CIRCUIT, .062 DIA.			
		APPROVED BY FSMITH		DATE 2014/07/31	molex				
		MATERIAL NO. SEE CHART		DOCUMENT NO. SD-1625-3*	SHEET NO. 2 OF 2				

DRAFT WHERE APPLICABLE MUST REMAIN WITHIN DIMENSIONS

SIZE

THIS DRAWING CONTAINS INFORMATION THAT IS PROPRIETARY TO MOLEX INCORPORATED AND SHOULD NOT BE USED WITHOUT WRITTEN PERMISSION