

Distributed by:



[www.Jameco.com](http://www.Jameco.com) ♦ 1-800-831-4242

The content and copyrights of the attached material are the property of its owner.

Jameco Part Number 229964

The subject products should meet the following requirements when tested under the condition of involving all circuits with terminals crimped on the specified maximum size wire.

1. Electrical Performance

	Item	Test Condition	Requirement
1-1	Rated voltage and current		1~15 CKTS. AC&DC 250V 5A
			24 CKTS. AC&DC 250V 4A
1-2	Contact resistance	Mate connectors measure by Dry Circuit, 20mV max., 10mA.	10 mΩ max.
1-3	Dielectric strength	When applied AC 1500V 1 minute between adjacent terminals or ground	No breakdown
1-4	Insulation resistance	When applied DC 500V between adjacent terminals or ground	1000 MΩ min.

2. Mechanical Performance

	Item	Test Condition	Requirement
2-1	Insertion force	Mating speed : 25±3mm/minute	See para 7
2-2	Extraction force	Disengaging speed : 25±3mm/minute	See para 7
2-3	Durability	When mated up to 30 cycles by the rate of 10 cycles per minute	Contact resistance 20 mΩ max.
			Insertion extraction force See para 7
2-4	Terminal retention force	Pull speed : 25±3mm/minute	7.0 kg min.
2-5	Terminal strength	When applied a load of 500gw, 1 minute	No damage

3. Environmental Performance

	Item	Test Condition	Requirement
3-1	Temperature rise	When carried the rated current	30 °C max.
3-2	Vibration	1.5mm,10-55-10Hz/min.,each 2 hrs. for X,Y&Z directions, applying 1mA-DC current	Contact resistance 20 mΩ max.
			Discontinuity 1 μsec. max.
			Appearance No damage
3-3	Shock	50G,each 3 times for X,Y,Z directions, applying 1mA-DC current	Discontinuity 1 μsec. max.
			Appearance No damage

REV. B

Item	Test Condition	Requirement	
3-4 Solderability	Soldering time : 3 ± 0.5 sec. Soldering pot : 230 ± 5 °C	Min. 3/4 of immersed area	
3-5 Resistance to soldering heat	Soldering time : 5 ± 0.5 sec. Soldering pot : 260 ± 5 °C	No damage	
3-6 Heat resistance	85 ± 2°C, 96 hours	Contact resistance	20 mΩ max.
		Appearance	No damage
3-7 Humidity	Temperature : 40±2°C Relative Humidity: 90~95% Duration : 96 hours Measurement must be taken within 30 minute after tested	Contact resistance	20 mΩ max.
		Dielectric strength	To pass para 1-3
		Insulation resistance	100 MΩ min.
		Appearance	No damage
3-8 Temperature cycling ( 5 cycles )	One cycle consists of (1) -55±3°C, 30 minute (2) Room temp. 10~15 minute (3) 105±2°C, 30 minute (4) Room temp. 10~15 minute	Contact resistance	20 mΩ max.
		Appearance	No damage
3-9 Salt Spray	Temperature: 35±2°C Solution : 5±1% Spray time : 48±4 hours Measurement must be taken after water rinse.	Contact resistance	20 mΩ max.
		Appearance	No significant corrosion
3-10 SO <sub>2</sub> Gas	24 hours in sulfur dioxide gas (SO <sub>2</sub> ) 50±5ppm at 40±2°C	Contact resistance	20 mΩ max.

4. Terminal To Be Used

	Customer P/No	Molex P/No	Wire Size	Insulation Dia.
1.		1560,1561	AWG #18 ~ #24	φ (1.5) ~ 3.1
2.		1854,1855	AWG #22 ~ #28	φ (1.1) ~ 1.5
3.		1778,1779	-----	-----
4.				

5. Ambient Temperature Range : -40°C ~ 105°C

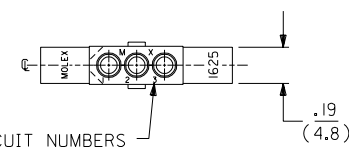
6. Construction, Dimension and Material : Specified by the attached drawing.

REV. B

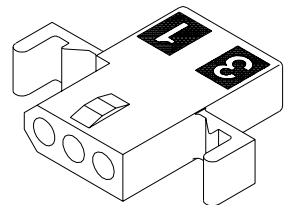
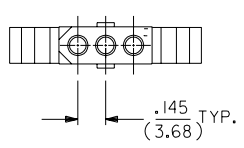
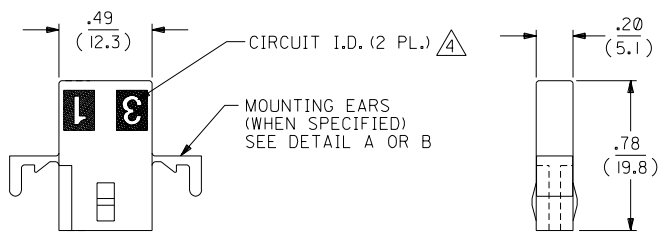
7. Insertion and Extraction Force

No of Ckt.	Insertion Force (kgf, max.)			Extraction Force (kgf, min.)		
	1st	6th	30th	1st	6th	30th
1	5.0	4.5	4.5	0.8	0.5	0.5
2	7.0	6.0	6.0	1.5	1.0	1.0
3	10.0	9.0	8.0	1.8	1.2	1.2
4	13.0	12.0	10.0	2.0	1.4	1.4
5	15.5	14.0	11.0	2.3	1.5	1.5
6	18.0	16.0	12.0	2.5	1.6	1.6
9	26.0	23.0	17.0	3.5	2.5	2.5
12	34.0	30.0	23.0	4.5	3.5	3.5
15	40.0	35.0	30.0	5.5	4.5	4.5
24	60.0	55.0	50.0	6.5	5.5	5.5

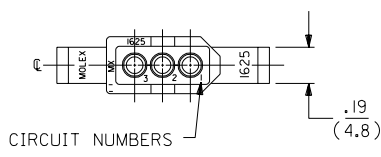
REV. B



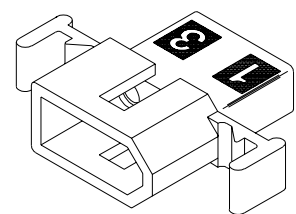
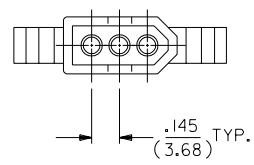
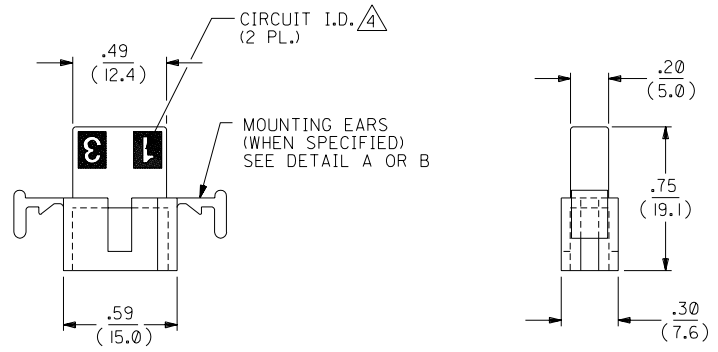
RECEPTACLE



RECEPTACLE HOUSING  
SHOWN WITH STANDARD EARS



PLUG



PLUG HOUSING  
SHOWN WITH STANDARD EARS

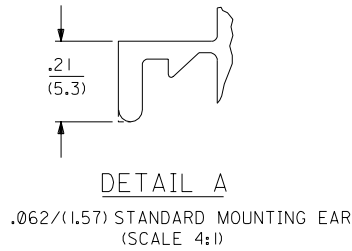
N	OBsolete P/N UCP2003-1545 AELHAG, 03/1/15
M	OBsolete P/N UCR2002-0270 COMERCI 01/9/26
L	REMOVED -3R1-B & -3P-B UCR1999-0343 WANG 98-12-08
K	Obs. -3PBK, ADD -3P4BK ECR U6 0716 CXC 12/18/95 RW
J2	X-REMOVE -3R4 ECR U2 1705 CXC 4/21/93 RW
J1	X-REMOVE -3P4 ECR U2 1705 CXC 11/23/92 RW
J	ADDED CKT. NO'S. PER ECR U11166 CXC 7/22/91 RW

2	N				
1	N	H			
MEG.	SH.	REV.	LTR.	REVISIONS	

DIMENSIONS SHOWN (METRIC) INCH UNLESS OTHERWISE SPECIFIED TOLERANCES: ANGULAR ± DMS		▽ = 0    ▽ = 0    ▽ = 0    REVISE ONLY ON CAD SYSTEM	
INCH    METRIC		TITLE	
3 PLACE ± .010	---	.062/(1.57) HOUSINGS PLUG & RECEPTACLE 3 CIRCUIT, .145/(3.68)C	
2 PLACE ± .014	± 0.25	MOLEX INCORPORATED    SHEET NO.    DATE	
1 PLACE ---	± 0.35	LITSE,ILL.    60532    U.S.A.    1 of 2    1/26/89	
DRAFT WHERE APPLICABLE MUST REMAIN WITHIN DIMENSIONS		PART NO.    DRWG. NO.	
DRWG. BY    KBW    CHK'D. BY    RW		SEE CHART    SD-1625-3*	
APP'D. BY    RAS    SCALE    2:1		FILE NAME    SD16253X1	
		THIS DRAWING CONTAINS INFORMATION THAT IS PROPRIETARY TO MOLEX INC. AND SHOULD NOT BE USED WITHOUT WRITTEN PERMISSION	

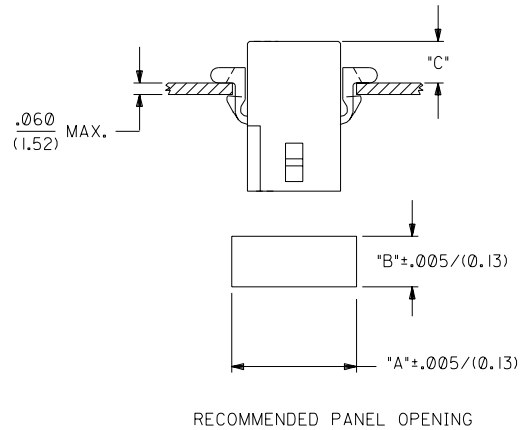
PLUG		OBSOLETE
PART NO.	ENG. NO.	
03-06-2031	1625-3P	
03-06-2032	1625-3P1	
03-06-2034	1625-3P4BK	
03-06-7032	1625-3P1BK	
03-06-2033	1625-3P4	

RECEPTACLE		OBSOLETE
PART NO.	ENG. NO.	
03-06-1033	1625-3R2	
03-06-1031	1625-3R	
03-06-1032	1625-3R1	
03-06-6031	1625-3RBK	
03-06-6032	1625-3R1BK	
03-06-1034	1625-3R3	
03-06-1038	1625-3R4	



LEGEND:

- 1625-3\*\*\*\*
- CIRCUIT SIZE
- P = PLUG  
R = RECEPTACLE
- BLANK = WITH STANDARD EARS  
1 = WITHOUT EARS  
2 = WITHOUT EARS, WITHOUT DETENTS  
3 = WITH STD. EARS, WITHOUT DETENTS  
4 = WITH PREBENT EARS
- COLOR:
- BLANK = NATURAL COLOR  
AM = AMBER BK = BLACK BU = BLUE  
BN = BROWN GY = GRAY GN = GREEN  
OR = ORANGE RD = RED YW = YELLOW

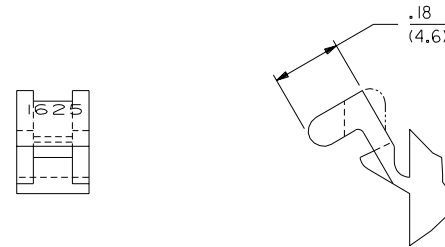


HOUSING	DIM. "A"	DIM. "B"	"C" PREBENT EAR	"C" STANDARD EAR
PLUG	.754/(19.15)	.318/(8.08)	.19/(4.8)	.18/(4.6)
RECEPT.	.650/(16.51)	.265/(6.73)	.21/(5.3)	.20/(5.1)

NOTES:

1. MOLEX PRODUCT SPEC 02-06 APPLIES.
2. ACCEPTS MOLEX .062 SERIES TERMINALS.
3. MATERIAL:  
NYLON TYPE 6/6, 94V-2

4. CIRCUIT I.D. NUMBERS ON HOUSING APPEAR ON PARTS FROM TOOLS BUILT AFTER 7/22/91.



DRWG. BY	CHK'D. BY	SCALE	DATE	REV.	DESCRIPTION
KBW	RW	2:1			
RAS					

DIMENSIONS SHOWN (METRIC) INCH  
UNLESS OTHERWISE SPECIFIED  
TOLERANCES: ANGULAR ± DMS

PLACE	INCH	METRIC
3 PLACE	± .010	---
2 PLACE	± .014	± 0.25
1 PLACE	---	± 0.35

DRAFT WHERE APPLICABLE MUST REMAIN WITHIN DIMENSIONS

SEE CHART

SD-1625-3\*

THIS DRAWING CONTAINS INFORMATION THAT IS PROPRIETARY TO MOLEX INC. AND SHOULD NOT BE USED WITHOUT WRITTEN PERMISSION.