

PLEASE CHECK WWW.MOLEX.COM FOR LATEST PART INFORMATION

Part Number: [03-06-2091](#)
Status: **Active**
Overview: Standard .062"
Description: 1.57mm Diameter Standard .062" Pin and Socket Plug Housing, 9 Circuits, with Standard Mounting Ears

Documents:

[3D Model](#) [Product Specification PS-02-06 \(PDF\)](#)
[Drawing \(PDF\)](#) [RoHS Certificate of Compliance \(PDF\)](#)

Agency Certification

CSA LR19980
TUV R72081037
UL E29179

General

Product Family Crimp Housings
Series [1625](#)
Application Power, Wire-to-Wire
Comments Glow Wire Equivalent Part Number [50362279](#). Polarized to Mating Part
MolexKits Yes
Overview [Standard .062"](#)
Product Name [Standard .062"](#)

Physical

Breakaway No
Circuits (maximum) 9
Circuits Detail 3x3
Color - Resin Natural
Flammability 94V-2
Gender Plug
Glow-Wire Compliant No
Keying to Mating Part None
Lock to Mating Part Yes
Material - Resin Nylon
Number of Rows 3
Packaging Type Bag
Panel Mount Yes
Pitch - Mating Interface 3.68mm
Pitch - Termination Interface 3.68mm
Polarized to Mating Part Yes
Stackable No
Temperature Range - Operating -40°C to +105°C

Electrical

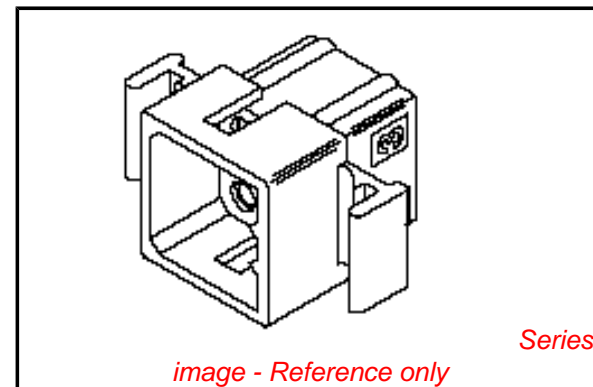
Current - Maximum per Contact 5A

Material Info

Old Part Number 1625-9P

Reference - Drawing Numbers

Product Specification PS-02-06
Sales Drawing SD-1625-9*



EU RoHS

ELV and RoHS Compliant

REACH SVHC

Contains SVHC: No Low-Halogen Status Low-Halogen

China RoHS



Need more information on product environmental compliance?

Email productcompliance@molex.com
For a multiple part number RoHS Certificate of Compliance, [click here](#)

Please visit the [Contact Us](#) section for any non-product compliance questions.

Search Parts in this Series

[1625Series](#)

Mates With

[1625](#) Receptacle

Use With

Female Crimp Terminals [1561](#) , [4559](#) , [4529](#) , [2190](#) , [2189](#) , [1787](#) , [1855](#) . Male Crimp Terminals [1560](#) , [1786](#) , [1854](#) . [1778](#) Male PC Tail Terminals. [1779](#) Female PC Tail Terminals

This document was generated on 04/30/2012

PLEASE CHECK WWW.MOLEX.COM FOR LATEST PART INFORMATION