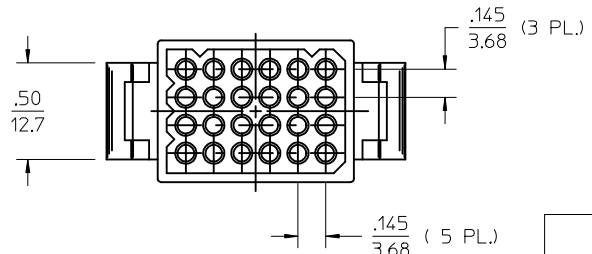
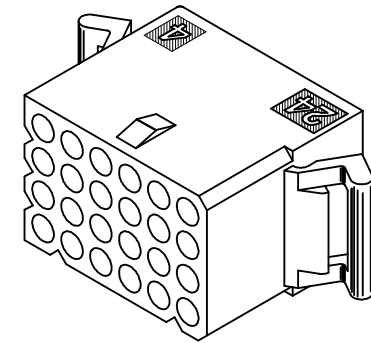
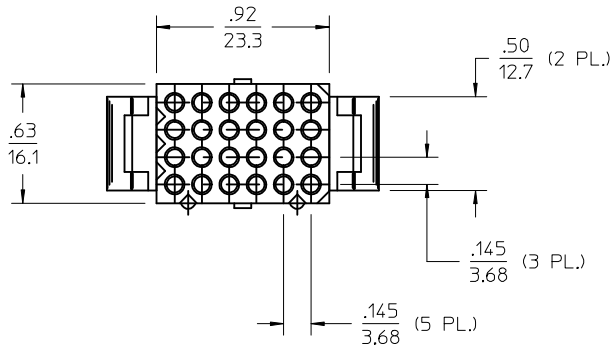
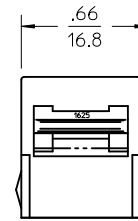
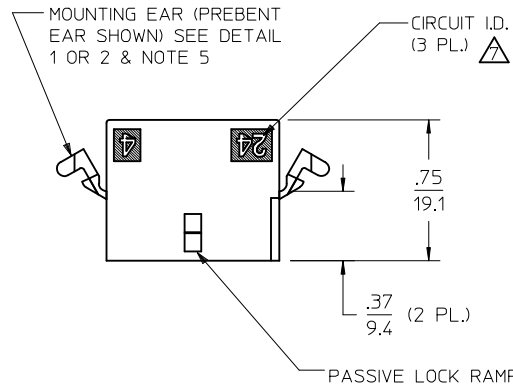
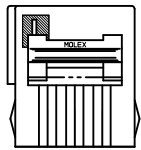
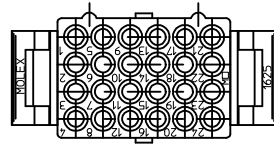


PLUG HOUSING



PK SPEC EC NO: UCP2015-0466 DRWN: JDOFX 2014/08/07 CHKD: MKIPPER 2014/08/07 APPR: FSMITH 2014/08/14	QUALITY SYMBOLS 	GENERAL TOLERANCES (UNLESS SPECIFIED)		DIMENSION STYLE IN/MM	SCALE 2:1	DESIGN UNITS INCH	THIRD ANGLE PROJECTION		
		4 PLACES ± --- ± ---	mm INCH	DRAWN BY JDOFX	DATE 2014/08/07	TITLE .062/(157) HOUSINGS PLUG AND RECEPTACLE 24 CIRCUIT			
		3 PLACES ± --- ± .010	2 PLACES ± 0.25 ± .014	CHECKED BY MKIPPER	DATE 2014/08/07	molex			
		1 PLACE ± 0.36 ± ---	0 PLACE ± --- ± ---	APPROVED BY FSMITH	DATE 2014/08/14	MATERIAL NO. SEE CHART	DOCUMENT NO. SD-1625-24*	SHEET NO. 1 OF 3	
P1	DESCRIPTION DRAFT WHERE APPLICABLE MUST REMAIN WITHIN DIMENSIONS	ANGULAR ±1/2°		SIZE C	THIS DRAWING CONTAINS INFORMATION THAT IS PROPRIETARY TO MOLEX INCORPORATED AND SHOULD NOT BE USED WITHOUT WRITTEN PERMISSION				



RECEPTACLE HOUSING

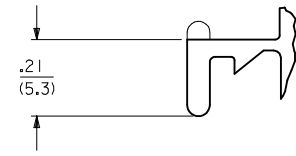
SEE SHEET 1 EC NO: UCP2015-0466 DRWN: JDFOX CHKD: MKIPPER APPR: FSMITH	QUALITY SYMBOLS ▽=0 ▽=0 ▽=0	GENERAL TOLERANCES (UNLESS SPECIFIED)		DIMENSION STYLE IN/MM	SCALE 2:1	DESIGN UNITS INCH	THIRD ANGLE PROJECTION		
		4 PLACES ± --- ± --- 3 PLACES ± --- ± .010 2 PLACES ± 0.25 ± .014 1 PLACE ± 0.36 ± --- 0 PLACE ± --- ± ---	mm INCH	DRAWN BY JDFOX	DATE 2014/08/07	TITLE .062/(157) HOUSINGS PLUG AND RECEPTACLE 24 CIRCUIT			
		ANGULAR ±1/2°		CHECKED BY MKIPPER	DATE 2014/08/07	molex			
		DRAFT WHERE APPLICABLE MUST REMAIN WITHIN DIMENSIONS		APPROVED BY FSMITH	DATE 2014/08/14	MATERIAL NO. SEE CHART	DOCUMENT NO. SD-1625-24*	SHEET NO. 2 OF 3	

PLUG		RECEPTACLE	
PART NO.	ENG. NO.	PART NO.	ENG. NO.
03-06-2241	I625-24P	03-06-1241	I625-24R
03-06-2242	I625-24P I	03-06-6241	I625-24RBK
03-06-7241	I625-24PBK		
03-06-7242	I625-24P IBK		

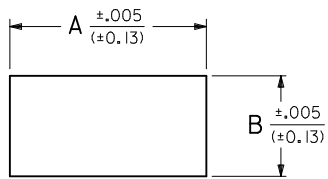
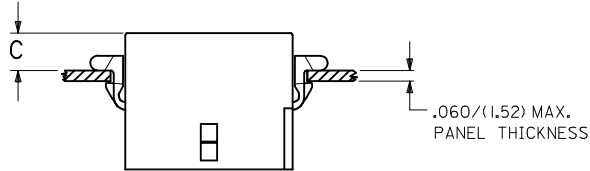
LEGEND:
1625-24****
 CIRCUIT SIZE
 P = PLUG
 R = RECEPTACLE

BLANK = WITH MOUNTING EARS
 I = WITHOUT EARS

COLOR: _____
 BLANK = NATURAL COLOR
 AM = AMBER BK = BLACK BU = BLUE
 BN = BROWN GY = GRAY GN = GREEN
 OR = ORANGE RD = RED YW = YELLOW

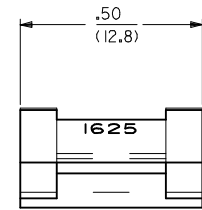


DETAIL 1
 .062/(1.57) STANDARD MOUNTING EAR
 (SCALE 4:1)



RECOMMENDED HOLE PATTERN

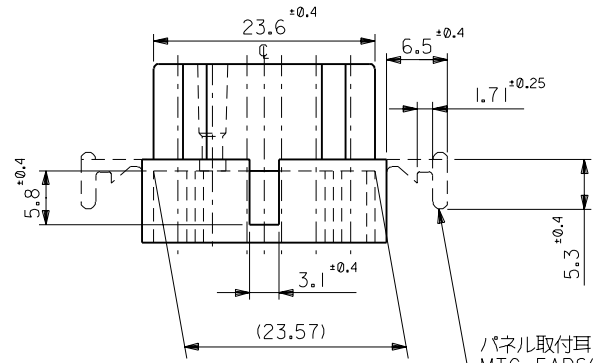
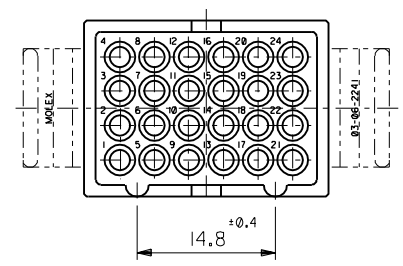
RECEP.	.1079 (27.41)	.715 (18.16)	.22 (5.5)	.22 (5.7)
PLUG	.1182 (30.02)	.765 (19.43)	.24 (6.0)	.24 (6.2)
PART	DIM. A	DIM. B	DIM. C (STANDARD EAR)	DIM. C (PREBEND EAR)



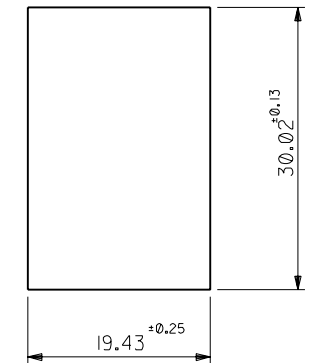
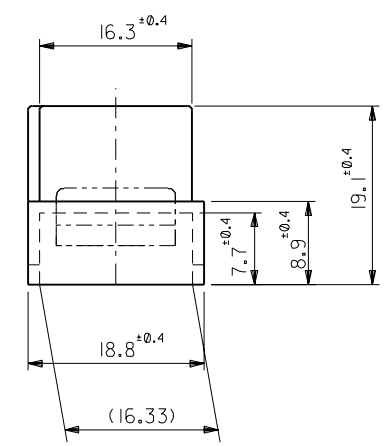
DETAIL 2
 .062/(1.57) PREBEND MOUNTING EAR
 (SCALE 4:1)

- NOTES:
- MATERIAL: NYLON TYPE 6/6 , UL94V-2, COLOR: SEE LEGEND.
 - FINISH: NONE.
 - MOLEX PRODUCT SPEC PS-02-06 APPLIES.
 - PACKAGING SPECIFICATION: PK-1625-003.
 - WHERE DENOTED IN CHART, TOOLS ARE BUILT WITH PREBEND MOUNTING EARS PER DETAIL 2 AND SUPERSEDE ALL TOOLS PREVIOUSLY BUILT WITH THE STANDARD MOUNTING EAR.
 - THIS HOUSING FOR USE WITH .062/(1.57) DIA. TERMINALS.
 - CIRCUIT I.D. NUMBERS ON HOUSING APPEAR ON PART FROM TOOLS BUILT AFTER 8/5/91.
 - PARTS CONFORM TO CLASS B REQUIREMENTS OF COSMETIC SPECIFICATION PS-45499-002.

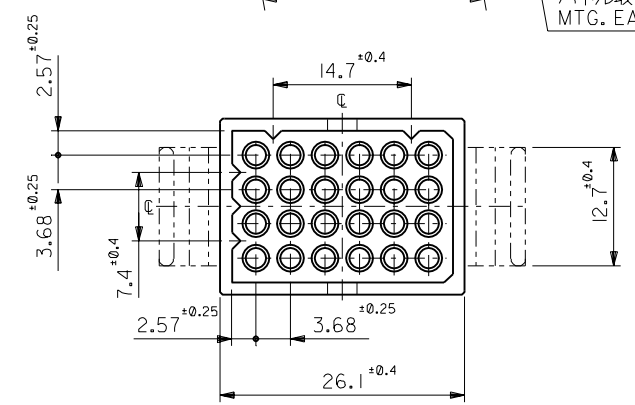
SEE SHEET 1 EC NO: UCP2015-0466 DRWN: JDFOX 2014/08/07 CHKD: MKIPPER 2014/08/07 APPR: FSMITH 2014/08/14	QUALITY SYMBOLS = 0 = 0 = 0	GENERAL TOLERANCES (UNLESS SPECIFIED)		DIMENSION STYLE IN/MM		SCALE 2:1	DESIGN UNITS INCH	THIRD ANGLE PROJECTION	
				DRAWN BY JDFOX	DATE 2014/08/07	TITLE .062/(1.57) HOUSINGS PLUG AND RECEPTACLE 24 CIRCUIT			
				CHECKED BY MKIPPER	DATE 2014/08/07				
				APPROVED BY FSMITH	DATE 2014/08/14				
MATERIAL NO. SEE CHART		DOCUMENT NO. SD-1625-24*		SHEET NO. 3 OF 3		THIS DRAWING CONTAINS INFORMATION THAT IS PROPRIETARY TO MOLEX INCORPORATED AND SHOULD NOT BE USED WITHOUT WRITTEN PERMISSION			



パネル取付耳 (表参照)
MTG. EARS(SEE CHART)



パネル取付穴寸法 (厚さ 1.52最大)
PANEL HOLE DIMENSION (THK. 1.52 MAX.)



注記
NOTES

- 材質: ZYTEL 101. (ナイロン66, 94V-2)
MATERIAL: ZYTEL 101. (NYLON66, 94V-2)
- () 内寸法は参考値
DIMENSIONS IN () ARE REFERENCES

1625-24P1	03-06-2242	無 WITHOUT
1625-24P	03-06-2241	有 WITH
ENG. NO.	PART NO.	MTG. EARS

材料 MATERIAL	図中参照 REFER TO DRAWING
仕上げ FINISH	—
適用電線範囲 WIRE RANGE	—
被覆外径 INS. RANGE	—
DRAWN BY '96/07/10 H.IIJIMA	CHK'D BY '96/07/10 M.FUKUSHIMA
APP'D BY '96/07/10 M.ENOMOTO	尺 度 SCALE 2 : 1
再作図 REDRAWN	DR. CHK. DATE
変更内容 REVISION RECORD	記号 LTR
一般公差 GENERAL TOLERANCES	角 度 ANGLE
	30°以上 OVER
	10°以上 30°未満 OVER UNDER
	10°未満 UNDER
	±0.3
	±0.25
	±0.2

MOLEX-JAPAN CO.,LTD. 日本モレックス株式会社	
REVISE ONLY ON CAD SYSTEM	
TITLE 名称	
.062 DIA. 24 CIRCUIT PLUG HOUSING	
DWG. NO.	REV
SD-1625-24P*	A