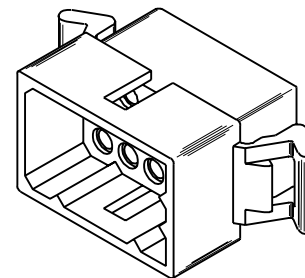


MTG. EAR NOT SHOWN FOR CKT. I.D. CLARITY



PLUG HOUSING

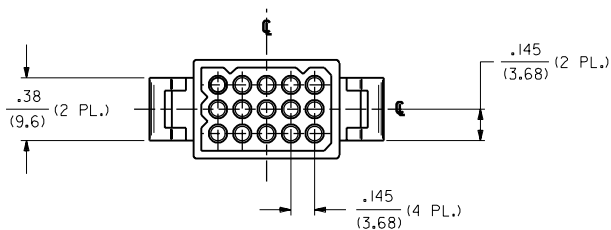


CHART AND NOTES ON SHEET 3

02	REVISION ECN #U70777 97-4-22 JI WANG
01	FINAL REL. - ISR2 ECN #U5 1285 6-22-95 RW
0	REVISE PER ECR U4 0050 OC 1/12/94 RW
P	REVISE PER ECN #U3 0508 4/1/93 RW
0	REVISE PER ECR U2 0850 OC 6/5/92 RW
N	REVISE PER ECR U1 2251 OC 11/20/91 RW
M	REVISE PER ECR U1 2108 OC 10/28/91 RW
L	REMOVE PT.NO. FROM -ISR2, ECR U1 1908 OC 9/20/91 RW
KI	ADDED & FINAL REL PER ERO #28346 GEP 5-4-89 RW
K	ADDED OPTIONS ECR # U90277 KBW 03-22-89 RW
J	ADDED OPTIONS ECR # UB2108 KBW 10-10-88 RW
H	REV. & REDRAWN ECR U8 1714 GEP 7-15-88 RW
3	02
2	02
1	02

MFG.	SH.	REV.	LTR.	REVISIONS

DIMENSIONS SHOWN METRIC (INCH) UNLESS OTHERWISE SPECIFIED TOLERANCES ANGULAR ± .05°

INCH	METRIC
3 PLACE ± .010	---
2 PLACE ± .014	± 0.25
1 PLACE ---	± 0.35

DRAFT WHERE APPLICABLE MUST REMAIN WITHIN DIMENSIONS

SEE CHART

SD-1625-15

MOLEX INCORPORATED

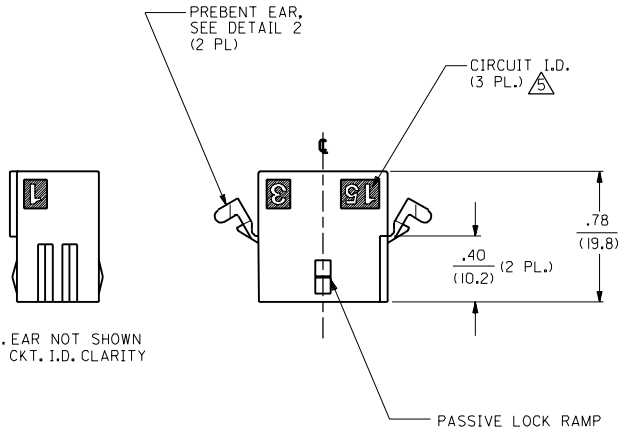
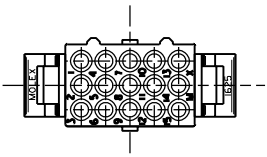
FILE NAME: S162515X1.DWG

DATE: 7/15/88

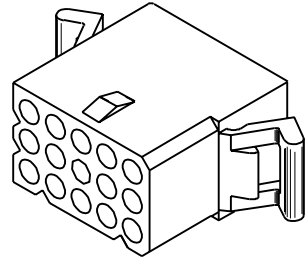
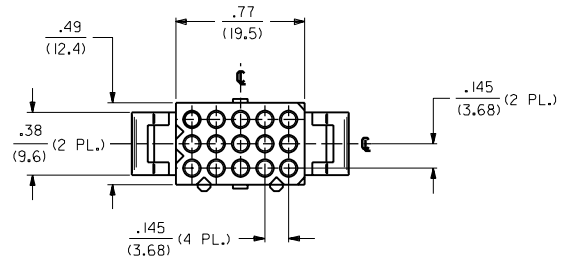
REV. 1 OF 3

DRWG. NO. SD-1625-15

SIZE: CP



MTG. EAR NOT SHOWN FOR CKT. I.D. CLARITY



RECEPTACLE HOUSING

CHART AND NOTES ON SHEET 3

		P		SEE SHT. 1	DIMENSIONS SHOWN METRIC () INCH		▽ = 0 ▼ = 0		REVISE ONLY ON CAD SYSTEM	
		Q2		SEE SHT. 1	UNLESS OTHERWISE SPECIFIED TOLERANCES: ANGULAR ± .001		TITLE		.062/(1.57) HOUSING; PLUG AND RECEPTACLE; 15 CKT. ± .145/(3.68) CTRS	
		Q		SEE SHT. 1	INCH METRIC		PART NO.		MOLEX INCORPORATED	
		LTR.		REVISIONS	3 PLACE ± .010 ---		L15LEJLL		60532	
		LTR.		REVISIONS	2 PLACE ± .014 ± 0.25		U.S.A.		SHEET NO. 2	
		LTR.		REVISIONS	1 PLACE --- ± 0.35		DATE		7/18/88	
		LTR.		REVISIONS	DRAFT WHERE APPLICABLE MUST REMAIN WITHIN DIMENSIONS		DRAWING NO.		SD-1625-15	
		LTR.		REVISIONS	DRWG. BY: CEP		FILE NAME		S162515X2	
		LTR.		REVISIONS	CHKD. BY: RW		THIS DRAWING CONTAINS INFORMATION THAT IS PROPRIETARY TO MOLEX INC. AND SHOULD NOT BE USED WITHOUT WRITTEN PERMISSION.		DIV. CP	
		LTR.		REVISIONS	APP'D. BY: RAS		SCALE		2 : 1	

PLUG

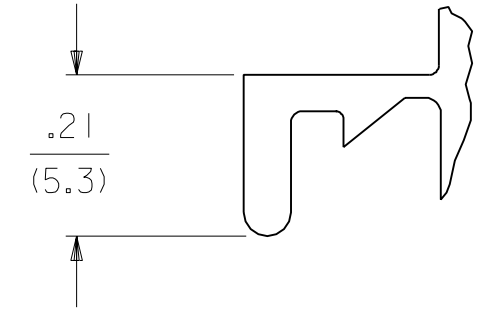
PART NO.	ENG. NO.
03-06-2151 ⁴ / ₄	1625-15P
03-06-7155	1625-15P IBN
03-06-7152	1625-15P IBK
03-06-2152	1625-15P1
03-06-7151 ⁴ / ₄	1625-15PBK
03-06-7153 ⁴ / ₄	1625-15PBN
03-06-7154 ⁴ / ₄	1625-15PBU

RECEPTACLE

PART NO.	ENG. NO.
03-06-1152	1625-15R1
03-06-6152	1625-15R1BK
03-06-6155	1625-15R2
NOT TOOLED	1625-15R2BK

RECEPTACLE LEGEND:

1625-15R***
 CIRCUIT SIZE
 R = RECEPTACLE
 1 = WITHOUT EARS
 2 = WITH PREBENT EARS



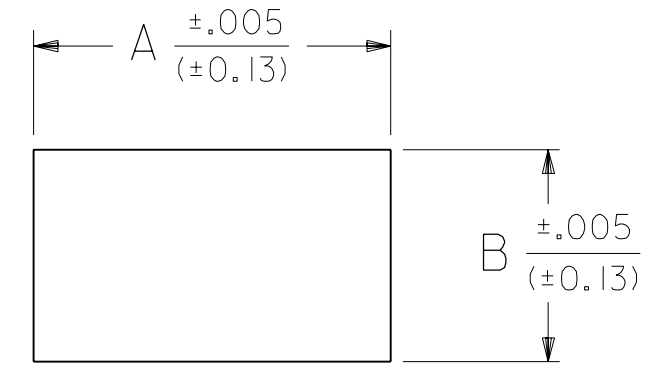
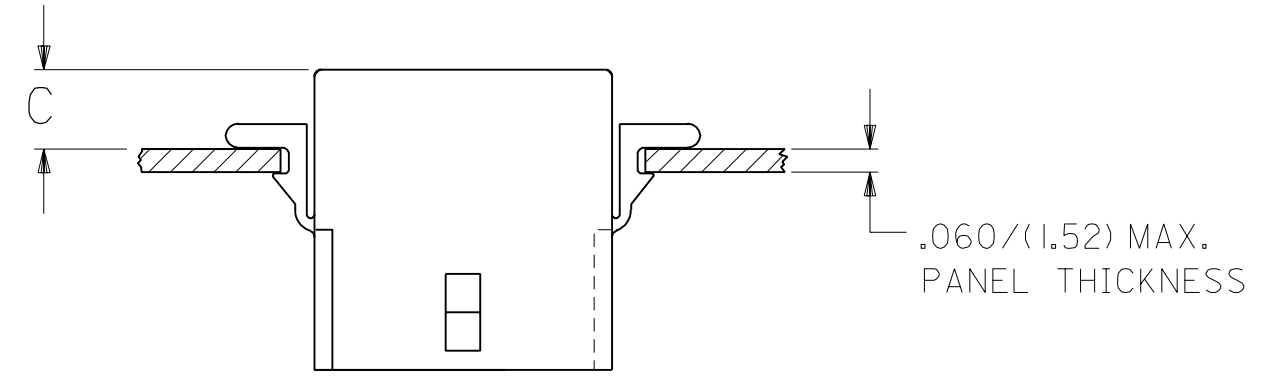
DETAIL 1

STANDARD MOUNTING EAR
SCALE 4:1

PLUG LEGEND:

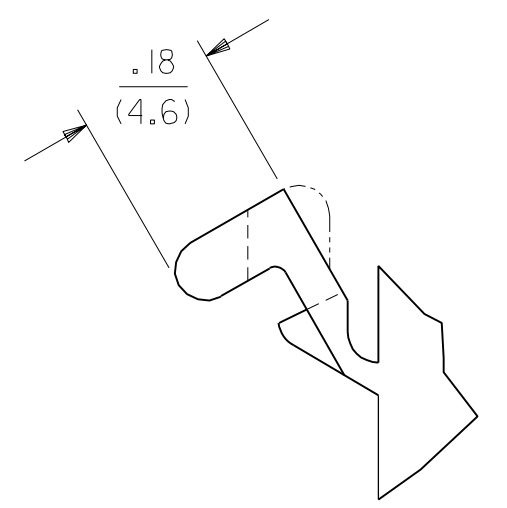
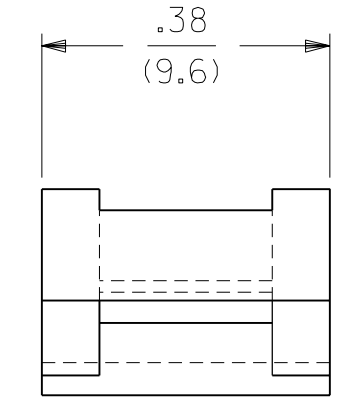
1625-15P***
 CIRCUIT SIZE
 P = PLUG
 BLANK = WITH MOUNTING EARS
 1 = WITHOUT EARS

COLOR:
 BLANK = NATURAL COLOR
 AM = AMBER BK = BLACK BU = BLUE
 BN = BROWN GY = GRAY GN = GREEN
 OR = ORANGE RD = RED YW = YELLOW



RECOMMENDED HOLE PATTERN

RECEP.	.930 (23.62)	.569 (14.45)		.22 (5.6)
PLUG	1.032 (26.21)	.620 (15.75)	.20 (5.1)	.21 (5.3)
PART	DIM. A	DIM. B	DIM. C (STANDARD EAR)	DIM. C (PREBENT EAR)



DETAIL 2

.062/(1.57) PREBENT MOUNTING EAR
(SCALE 4:1)

NOTES:

- MATERIAL: NYLON TYPE 6/6, 94V-2.
- THIS PART COMPLIES WITH MOLEX PRODUCT SPEC. 02-06.
- THIS HOUSING FOR USE WITH .062/(1.57) DIA. TERMINALS.
- ⁴/₄ WHERE DENOTED IN CHART, TOOLS ARE BUILT WITH PREBENT MOUNTING EARS PER DETAIL 2 AND SUPERSEDE ALL TOOLS PREVIOUSLY BUILT WITH THE STANDARD MOUNTING EARS.
- ⁵/₄ CIRCUIT I.D. NUMBERS ON HOUSING APPEAR ON PART FROM TOOLS BUILT AFTER 1/15/94.

REV.	DATE	BY	REVISIONS
N			SEE SHEET I
M			SEE SHEET I
L			SEE SHEET I
KI			SEE SHEET I
K			SEE SHEET I
J			SEE SHEET I
H			SEE SHEET I
Q2			SEE SHEET I
Q1			SEE SHEET I
Q			SEE SHEET I
O			SEE SHEET I
LTR.			REVISIONS

DIMENSIONS SHOWN (METRIC) INCH	
UNLESS OTHERWISE SPECIFIED TOLERANCES: ANGULAR ± .05°	
3 PLACE	± .010 ---
2 PLACE	± .014 ± 0.25
1 PLACE	--- ± 0.35

▽ = 0 ▼ = 0 REVISE ONLY ON CAD SYSTEM

TITLE
 .062/(1.57) HOUSING;
 PLUG AND RECEPTACLE;
 15 CKT. .145/(3.68) CTRS

MOLEX INCORPORATED SHEET NO. 3 DATE 7/18/88
 LISLE, ILL. 60532 U.S.A.

PART NO. SD-1625-15* DRWG. NO.

SEE CHART

FILE NAME S162515X3 DGN THIS DRAWING CONTAINS INFORMATION THAT IS PROPRIETARY TO MOLEX INC. AND SHOULD NOT BE USED WITHOUT WRITTEN PERMISSION. DIV. CP SIZE C