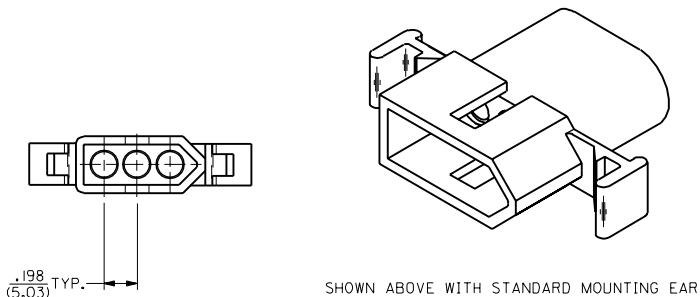
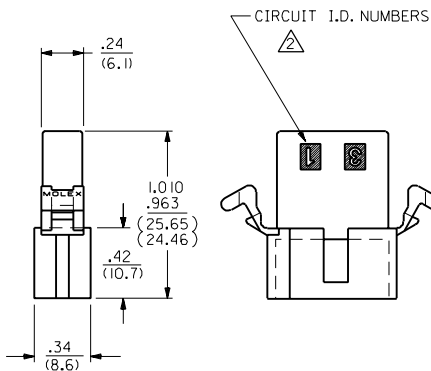
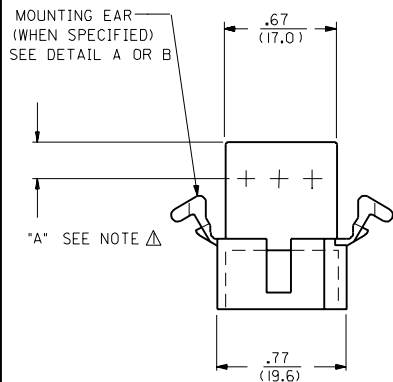
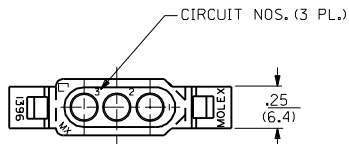
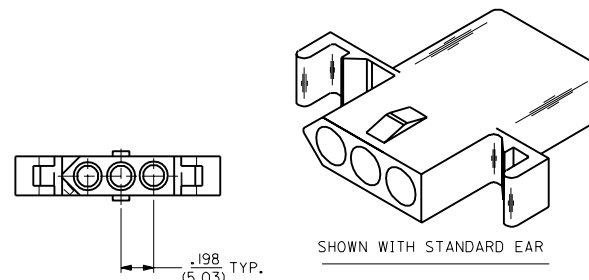
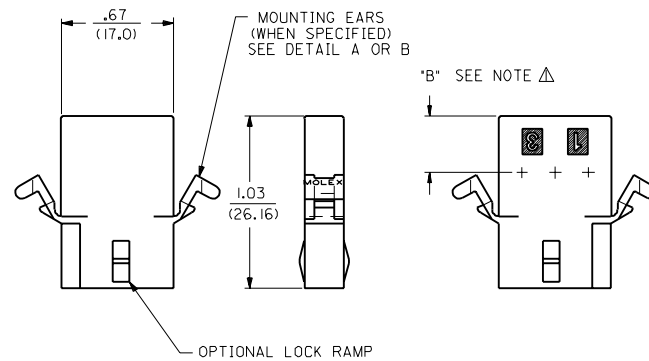
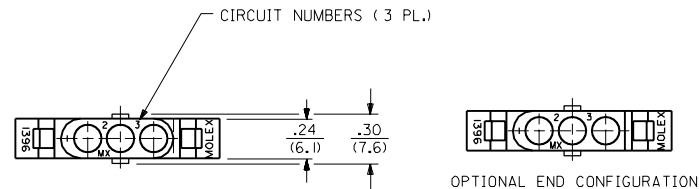


# PLUG



# RECEPTACLE



NOTES:  
 Δ DIMENSION FROM THE BACK OF HOUSING TO THE END OF THE BRUSH ON THE WIRE INSERTED INTO THE HOUSING  
 DIM "A" = .256/6.50 FOR 42477 & 42478 TERMINALS  
 .216/5.49 FOR ALL OTHER .093 TERMINALS  
 DIM "B" = .377/9.58 FOR 42477 & 42478 TERMINALS  
 .337/8.56 FOR ALL OTHER .093 TERMINALS

Y3	REVISED PER UCR2000-05B3 3/1/00 DDB	
Y2	REMOVE -R3, -R5 VER. PER ECON #UG 1479 6-10-96 RW	
Y1	X-REMOVE 1396-R4 ECR U3 1583 GC 10/26/93 RW	
Y	ADD CKT. I.D. #'S PER ECR U3 0683 GC 5/4/93 RW	
X	REV MAT'L SPECS. ECR U2-1491 10-08-92 A.GUZIK	
W1	ADD -D VERSIONS. ECR U1 1106 GC 7/25/91 RW	
W	REVISE ON CAD ECR #UB 1381 JJS 4-24-88 RW	
2	Y2	
1	Y3	
MFG. SH.	REV. LTR.	REVISIONS

DIMENSIONS SHOWN METRIC (INCH) UNLESS OTHERWISE SPECIFIED TOLERANCES ANGULAR ± 1/2°		▽ = 0	▽ = 0	REVISE ONLY ON CAD SYSTEM												
<table border="1"> <thead> <tr> <th></th> <th>INCH</th> <th>METRIC</th> </tr> </thead> <tbody> <tr> <td>3 PLACE</td> <td>± .010</td> <td>---</td> </tr> <tr> <td>2 PLACE</td> <td>± .014</td> <td>± 0.25</td> </tr> <tr> <td>1 PLACE</td> <td>---</td> <td>± 0.36</td> </tr> </tbody> </table>			INCH	METRIC	3 PLACE	± .010	---	2 PLACE	± .014	± 0.25	1 PLACE	---	± 0.36	TITLE .093/(2.36) HOUSING, PLUG & RECEPTACLE 3 CIRCUIT, 198/(5.03) C		
	INCH	METRIC														
3 PLACE	± .010	---														
2 PLACE	± .014	± 0.25														
1 PLACE	---	± 0.36														
DRAFT WHERE APPLICABLE MUST REMAIN WITHIN DIMENSIONS DRWG. BY: JJS APP'D: RAS FILE NAME: S1396,3X1.DWG SCALE: 2 : 1		PART NO. L15LEJLL MOLEX INCORPORATED 60532 U.S.A. SHEET NO. 1 OF 2 DATE 4 / 3 / 88 DRWG. NO. SD-1396-•														
THIS DRAWING CONTAINS INFORMATION THAT IS PROPRIETARY TO MOLEX INC. AND SHOULD NOT BE USED WITHOUT WRITTEN PERMISSION. CP																

13 12 11 10 9 8 7 6 5 4 3 2 1

PLUG		RECEPTACLE	
ORDER NO.	ENG. NO.	ORDER NO.	ENG. NO.
03-09-2031	I396-P	03-09-1031	I396-R
03-09-2032	I396-P1	03-09-1032	I396-R1
03-09-7032	I396-P1BK	03-09-1033	I396-R2
03-09-7031	I396-PBK	03-09-6033	I396-R2BK
PRELIMINARY	I396-P-B	03-09-6032	I396-R1BK
		03-09-6031	I396-RBK
		PRELIMINARY	I396-R-B
		PRELIMINARY	I396-R1-B
		03-09-1081	I396-R4

**LEGEND:**

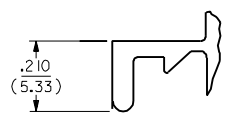
I396-\*\*\*\*\*

P = PLUG  
R = RECEPTACLE

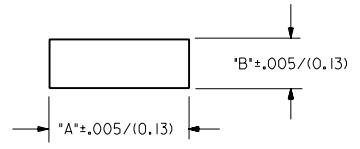
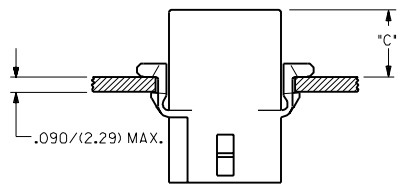
BLANK = WITH STANDARD EARS  
 1 = WITHOUT EARS  
 2 = RECEPTACLE WITHOUT EARS, WITHOUT LOCK RAMP  
 3 = PLUG ONLY, W/ SIDE MOUNT (SEE SD-I396-P3)  
 4 = WITH PREBENT EARS

COLOR: BLANK=NATURAL COLOR  
 AM=AMBER BK=BLACK BU=BLUE  
 BN=BROWN CY=GRAY GN=GREEN  
 OR=ORANGE RD=RED YW=YELLOW

BLANK = NYLON 6/6, 94V-2  
 B = NYLON TYPE 6/6, 94V-2, UV STABILIZED



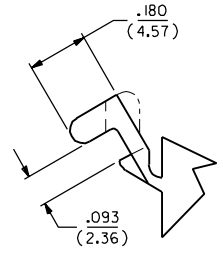
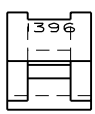
**DETAIL A**  
STANDARD MOUNTING EAR  
(SCALE 4:1)



RECOMMENDED PANEL MOUNTING HOLE

HOUSING	DIM. "A"	DIM. "B"	"C" PREBENT EAR	"C" STANDARD EAR
PLUG	.933/(23.70)	.375/(9.53)	.40/(10.2)	.38/(9.7)
RECEPT.	.830/(21.08)	.312/(7.92)	.41/(10.4)	.39/(9.9)

NOTES:  
 1. MOLEX PRODUCT SPEC 02-09 APPLIES.  
 2. CIRCUIT I.D. NUMBERS ON SIDE OF HOUSING APPEAR ON PARTS FROM TOOLS BUILT AFTER 5/4/93.



**DETAIL B**  
PREBENT MOUNTING EAR  
(SCALE 4:1)

I396

I396

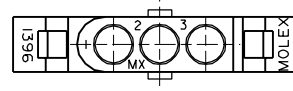
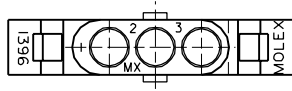
A

A

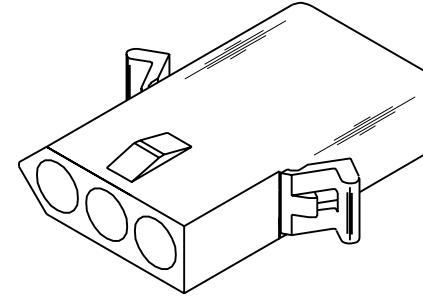
DIMENSIONS SHOWN (METRIC) INCH		▽=0 ▽=0		REVISE ONLY ON CAD SYSTEM	
UNLESS OTHERWISE SPECIFIED TOLERANCES ARE AS FOLLOWS					
INCH		METRIC			
3 PLACE	± .010	---			
2 PLACE	± .014	± 0.25			
1 PLACE	---	± 0.35			
DRAFT WHERE APPLICABLE MUST REMAIN WITHIN DIMENSIONS					
DRWG. BY: JJS	CHK'D. BY: RW	FILE NAME: S13962X2	SCALE: :	THIS DRAWING CONTAINS INFORMATION THAT IS PROPRIETARY TO MOLEX INC. AND SHOULD NOT BE USED WITHOUT WRITTEN PERMISSION.	
APP'D. BY: RAS	SCALE: :	PART NO. SD-1396-*		DATE: 4/8/88	
LTR. REVISIONS		LTR. REVISIONS		CP C	

13 12 11 10 9 8 7 6 5 4 3 2 1

DWG. NO. SD-1396-001

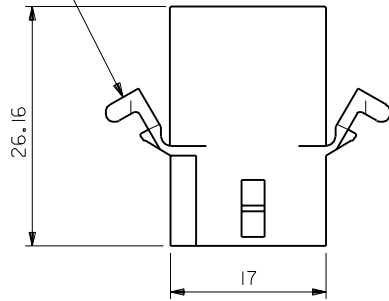


OPTIONAL END CONFIGURATION

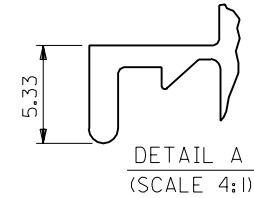
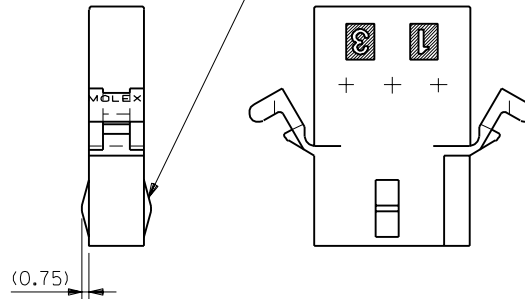


RECEPTACLE

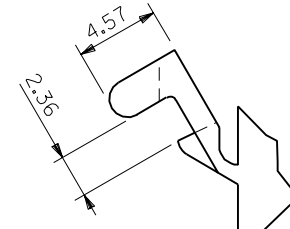
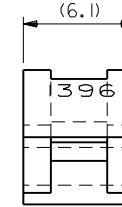
MT'G EARS (表参照)  
参照 DETAIL A OR B



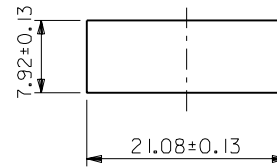
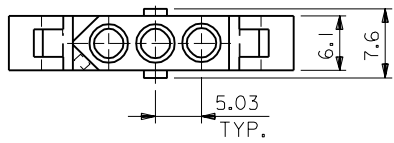
LOCKING TAB (表参照)



DETAIL A  
(SCALE 4:1)



DETAIL B  
(SCALE 4:1)



パネル取付穴寸法  
(パネル厚 2.29最大)

I396R4	03-09-1081	有	WITH	有	WITH DETAIL B
I396R2	03-09-1033	無	WITHOUT	無	WITHOUT
I396R1	03-09-1032	有	WITH	無	WITHOUT
I396R	03-09-1031	有	WITH	有	WITH DETAIL A
ENG. NO.	EDP NO.	LOCKING TABS		MT'G EARS	

MODEL NO.	03-09-1***	DIMENSIONS:	SHT	REV
DESIGN UNITS	<input checked="" type="checkbox"/> mm <input type="checkbox"/> INCH	<input type="checkbox"/> mm <input type="checkbox"/> INCH	<input type="checkbox"/> mm <input checked="" type="checkbox"/> ONLY	REVISE ON CAD ONLY
THIRD ANGLE PROJECTION				
DRAWN BY & DATE	K.KOHAMA 00/08/28			
CHECKED BY & DATE	T.YAMAGUCHI 00/08/28			
APPROVED BY & DATE	M.FUKUSHIMA 00/08/28			
CAD FILENAME	I396001.S01	MATERIAL NO.	SEE NOTES	DRAWING NO.
				SD-1396-001
TITLE:		3 CIRCUITS RCPT HSG (0.093 DIA TERMINAL)		
MOLEX INCORPORATED				
SHEET NO. 1 OF 1			SIZE B	

DO NOT SCALE DRAWING

EC NO. DRWN: CHK: APPR:	EC NO. DRWN: CHK: APPR:	EC NO. DRWN: CHK: APPR:	EC NO. DRWN: CHK: APPR:	EC NO. DRWN: CHK: APPR:	RELEASED EC NO. JC2001-0078 DRWN: K.KOHAMA 00/08/28 CHK: T.YAMAGUCHI APPR: M.FUKUSHIMA
DESCRIPTION					
MATERIAL 材料 NYLON66 94V-2					
FINISH 仕上					
WIRE RANGE 適用導線範囲					
INS. RANGE 設置条件					

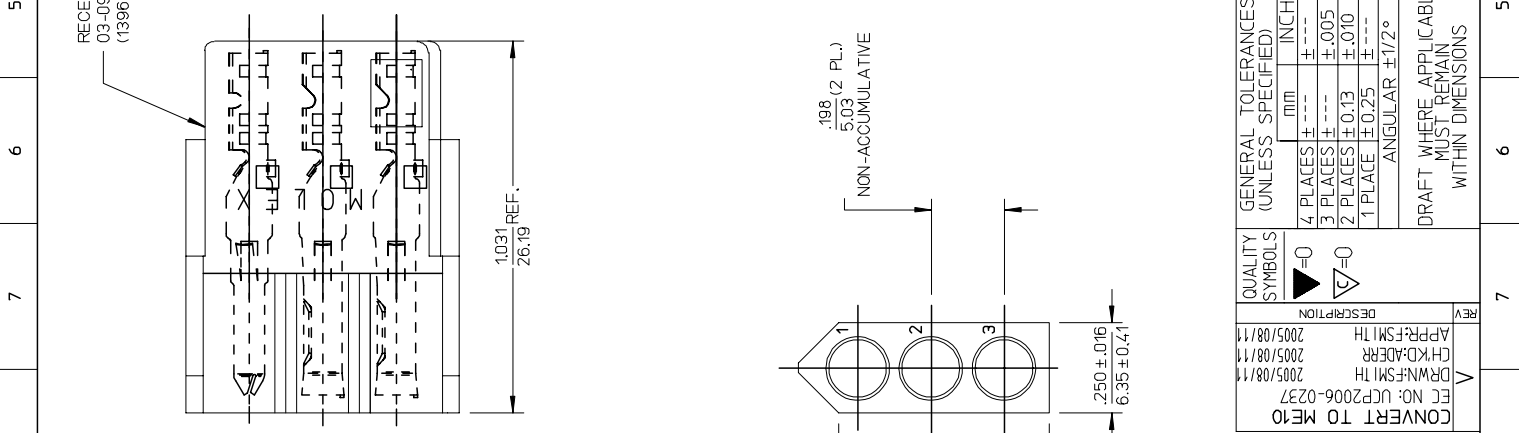
GENERAL TOLERANCES: (UNLESS SPECIFIED) 一般公差		SCALE 2:1	DESIGN UNITS <input checked="" type="checkbox"/> mm <input type="checkbox"/> INCH
10 UNDER 未満	+0.25 ±0.25	DRAWN BY & DATE K.KOHAMA 00/08/28	
10 OVER 以上 30 UNDER 未満	+0.3 ±0.25	CHECKED BY & DATE T.YAMAGUCHI 00/08/28	
30 OVER 以上	+0.35 ±0.3	APPROVED BY & DATE M.FUKUSHIMA 00/08/28	
ANGLE 角度	+3°	CAD FILENAME I396001.S01	

THIS DRAWING CONTAINS INFORMATION THAT IS PROPRIETARY TO MOLEX INCORPORATED AND SHOULD NOT BE USED WITHOUT WRITTEN PERMISSION.	
--	--

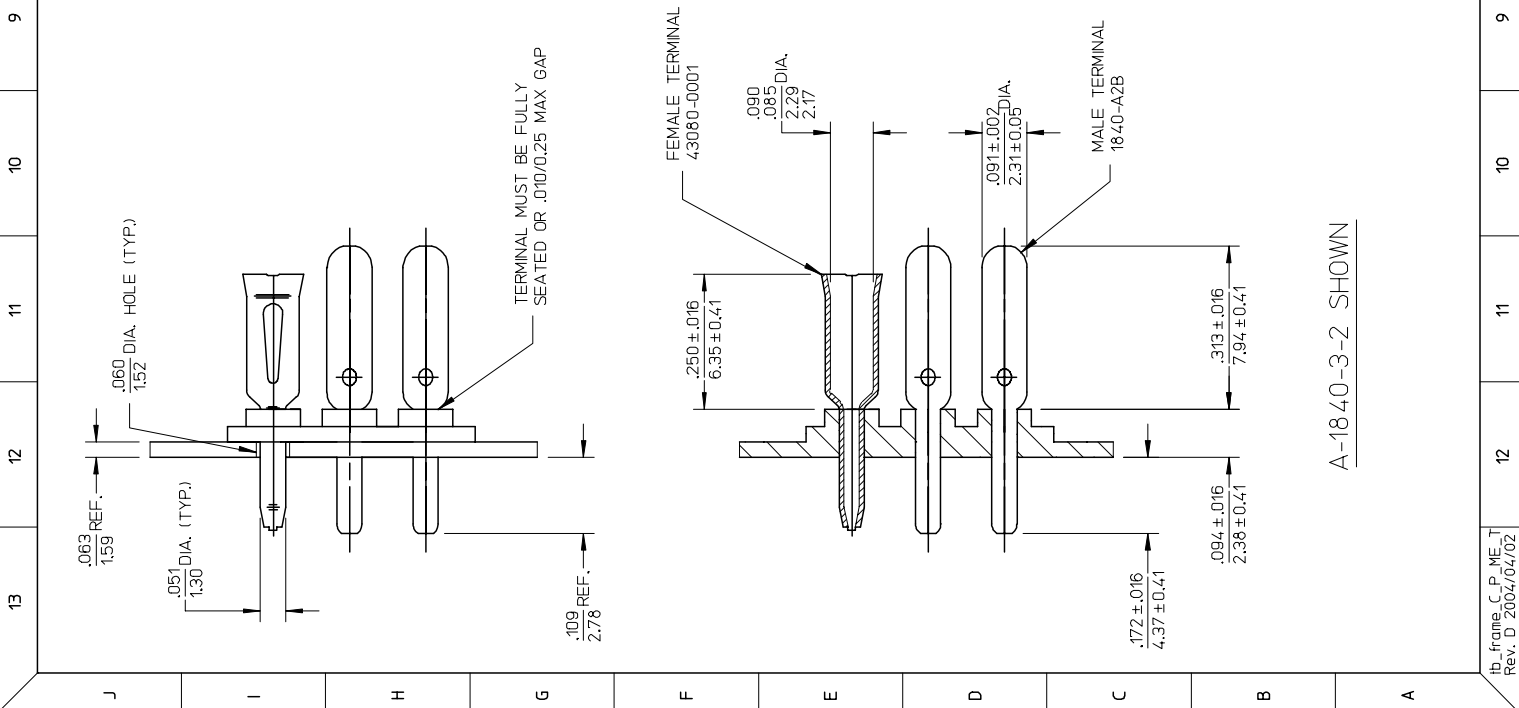
EN-02J(097) MXJ-54

PART NO.	ENG. NO.	TERM PATTERN		
		1	2	3
09-18-5032	A-1840-3-01	M	M	M
09-18-5031	A-1840-3-02	F	M	M
09-18-5035	A-1840-3-05	M	F	F
09-18-5930	A-1840-3-09	M	B	M

RECEPTACLE REF. 08-09-1032 (1396-R1)



TERMINAL MUST BE FULLY SEATED OR .010/0.25 MAX GAP



NOTES:  
1. MATERIAL:  
BASE AND RECEPTACLE: NYLON  
TERMINALS: MALE - BRASS  
FEMALE - BRONZE

2. FINISH:  
999 - UNPLATED  
102 - (MALE TERMINALS ONLY)  
OVERALL TIN: .000200/0.00508 MIN.  
OVER COPPER: .000100/0.00254 MIN.  
126 - (FEMALE TERMINALS ONLY)  
OVERALL TIN: .000050/0.00127 MIN.  
OVER NICKEL: .000050/0.00127 MIN.

3. PRODUCT SPECIFICATION: N/A  
4. PACKAGING SPECIFICATION: N/A  
5. POLARIZATION ACCOMPLISHED THROUGH AN INTERMIX OF MALE AND FEMALE TERMINALS. (MOLEX .093 TERMINALS)

6. TERMINAL PATTERN CODE:  
M = MALE TERMINALS  
F = FEMALE TERMINALS  
B = NO TERMINALS

7. PARTS TO BE MOUNTED ON SUPPORTED EDGE OF P.C. BOARD

QUALITY SYMBOLS	GENERAL TOLERANCES (UNLESS SPECIFIED)	DIMENSION STYLE		SCALE	DESIGN UNITS	THIRD ANGLE PROJECTION
		IN/MM	DATE			
-0 -0	4 PLACES ±	MM	INCH	4:1	INCH	CONNECTOR-P.C. BOARD WAFERCONN 3 CIRCUIT
	3 PLACES ±	±.005	DATE			
	2 PLACES ±	±.010	DATE			
	1 PLACE ±	±.025				
		ANGULAR ±1/2°				
DRAWN BY: JWC		DATE: 1974/04/30				
CHECKED BY:		DATE:				
APPROVED BY:		DATE:				
MATERIAL NO. SEE CHART		DOCUMENT NO.		MOLEX INCORPORATED		
DRAWN: SMTH		DATE: 2005/08/14				
CHK'D: ADEPR		DATE: 2005/08/14				
APP'RF: SMTH		DATE: 2005/08/14				
EC NO: UCF2006-0237		CONVERT TO MET				
DRAWN: SMTH		DATE: 2005/08/14				
CHK'D: ADEPR		DATE: 2005/08/14				
APP'RF: SMTH		DATE: 2005/08/14				
MATERIAL NO. SEE CHART		DOCUMENT NO.		MOLEX INCORPORATED		
DRAWN: SMTH		DATE: 2005/08/14				
CHK'D: ADEPR		DATE: 2005/08/14				
APP'RF: SMTH		DATE: 2005/08/14				
EC NO: UCF2006-0237		CONVERT TO MET				
DRAWN: SMTH		DATE: 2005/08/14				
CHK'D: ADEPR		DATE: 2005/08/14				
APP'RF: SMTH		DATE: 2005/08/14				

A-1840-3-2 SHOWN