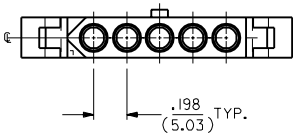
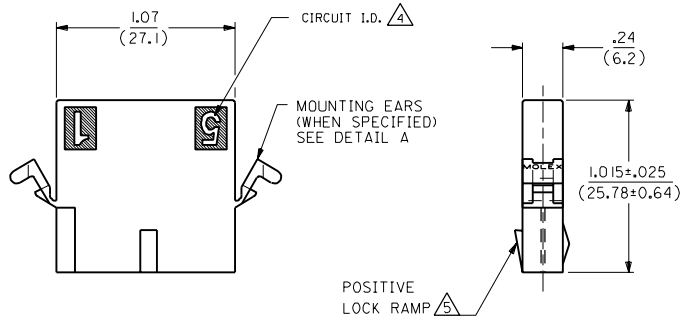
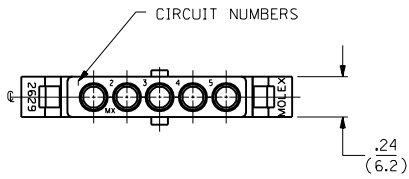
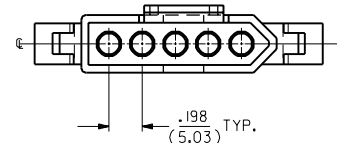
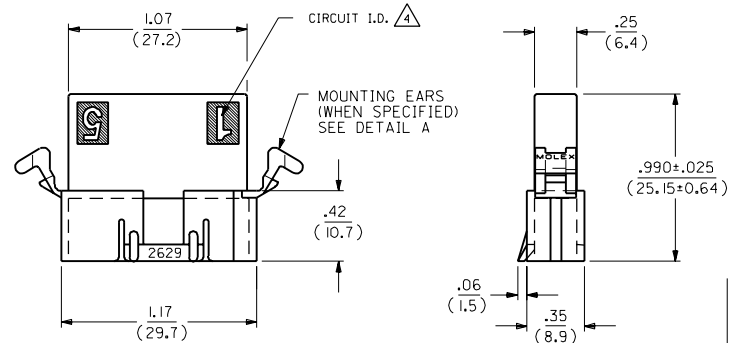
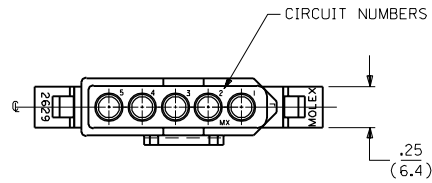


RECEPTACLE



VIEW OF RECEPTACLE VERSION
WITH PASSIVE LOCK RAMPS

PLUG



2	J			
1	J			
		G		

MFG. SH. REV. LTR. REVISIONS

DIMENSIONS SHOWN METRIC (INCH)		UNLESS OTHERWISE SPECIFIED TOLERANCES: ANGULAR ± DMS		TITLE	
INCH	METRIC	.093/(2.36) HOUSINGS PLUG & RECEPTACLE 5 CIRCUIT ± .198/(5.03)C			
3 PLACE ± .010	---	PART NO.		DATE	
2 PLACE ± .014	± 0.25	MOLEX INCORPORATED		2 / 3 / 89	
1 PLACE ---	± 0.35	L15LEJLL 60532 U.S.A.		SHEET NO. 1 OF 2	
DRAFT WHERE APPLICABLE MUST REMAIN WITHIN DIMENSIONS		SEE CHART		DRWG. NO. SD-2629-*	
DRWG. BY KBW	CHKD. BY RW	FILE NAME	THIS DRAWING CONTAINS INFORMATION THAT IS PROPRIETARY TO MOLEX INC. AND SHOULD NOT BE USED WITHOUT WRITTEN PERMISSION.		
APP'D. BY RAS	SCALE 2:	S26295X1	CP C		

J	REVISED PER ECN # U61508 05/31/96 CM
I	X-REMOVE -R2 ECN # U6 1080 3-6-96 RW
K	ADD PASSIVE LOCKS ECN # U5 0529 11-30-94 RW
J	ADD -P2 W/EDP # ECR U3 0450 GC 4/1/93 RW
I	X-REMOVE ECR U2 1105 GC 1/29/92 RW
HI	ADD -C MAT'L PER ECR U2 0741 GC 5/7/92 RW
H	REVISE PER ECR U1 2237 GC 1/9/92 RW
G	REVISED & REDRAWN ECR # UB1801 KBW 02-03-89 RW

2629

PLUG		RECEPTACLE	
ORDER NO	ENG NO	ORDER NO	ENG NO
03-09-2057	2629-P1	03-09-1057	2629-R1
PRELIMINARY	2629-P	PRELIMINARY	2629-R
		03-09-1054	2629-R2

LEGEND:

2629-*****

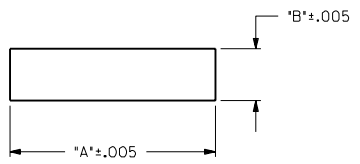
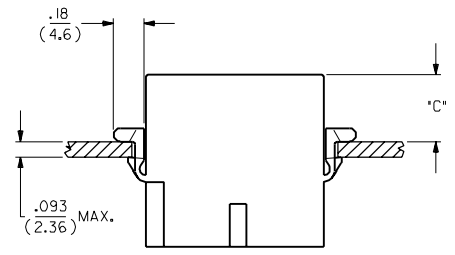
TYPE: _____
P = PLUG
R = RECEPTACLE

PLUG FEATURES: _____
BLANK = WITH PREBENT EARS
1 = WITHOUT EARS

RECEPTACLE FEATURES: _____
BLANK = WITH PREBENT EARS, WITH POSITIVE LOCK RAMP
1 = WITHOUT EARS, WITH POSITIVE LOCK RAMP
2 = WITHOUT EARS, WITH PASSIVE LOCK RAMPS

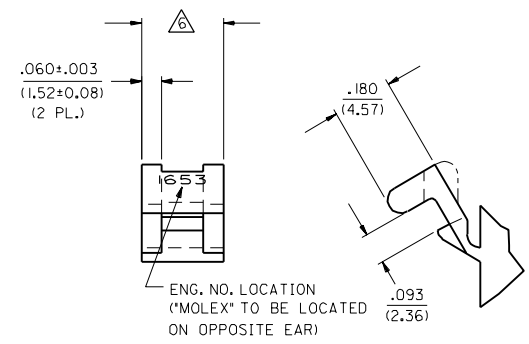
COLOR: _____
BLANK = NATURAL COLOR
AM = AMBER BK = BLACK BU = BLUE
BN = BROWN GY = GRAY GN = GREEN
OR = ORANGE RD = RED YW = YELLOW

MATERIAL: _____
BLANK = NYLON TYPE 66, 94V-2 PER SMES-128-A-*



RECOMMENDED PANEL OPENING

HOUSING	DIM. *A*	DIM. *B*	*C* PREBENT EAR
PLUG	1.33/(33.78)	.42/(10.67)	.40/(10.1)
RECEPT.	1.23/(31.24)	.31/(7.87)	.42/(10.6)



- NOTES:
- MOLEX PRODUCT SPEC 02-09 APPLIES.
 - 2629-P* (PLUG) WILL ACCEPT 2629-R* 5 CIRCUIT RECEPTACLES OR 1490-R* 4 CIRCUIT RECEPTACLE.
 - ACCEPTS MOLEX .093 SERIES TERMINALS.
- ⚠️ CIRCUIT I.D. NUMBERS ON HOUSING APPEAR ON PARTS FROM TOOLS BUILT AFTER 1/6/92.
- ⚠️ LOCK RAMP ON THIS SIDE OF PART AVAILABLE IN EITHER A POSITIVE LOCK RAMP OR PASSIVE LOCK RAMP STYLE.
- ⚠️ FOR DIMENSION, SEE SHEET 1.

DETAIL A
.093/(2.36) PREBENT MOUNTING EAR
(SCALE 4:1)

REVISIONS		REVISIONS		DIMENSIONS SHOWN (METRIC/INCH)		REVISION ONLY ON CAD SYSTEM	
I	SEE SHEET 1			UNLESS OTHERWISE SPECIFIED TOLERANCES ANGLES ARE ± .005		TITLE	
K	SEE SHEET 1			INCH METRIC		.093/(2.36) HOUSINGS	
J	SEE SHEET 1			3 PLACE ± .010 ---		PLUG & RECEPTACLE	
I	SEE SHEET 1			2 PLACE ± .014 ± 0.25		5 CIRCUIT .198/(5.03)	
HI	SEE SHEET 1			1 PLACE --- ± 0.35		MOLEX INCORPORATED	
H	SEE SHEET 1			DRAFT WHERE APPLICABLE MUST REMAIN WITHIN DIMENSIONS		LITLLE, ILL. 60532 U.S.A. SHEET NO. 2 DATE 2/3/89	
G	SEE SHEET 1			DRWG. BY: KBW ENQ'D. BY: RW		PART NO. SEE CHART SD-2629-*	
J	SEE SHEET 1			APP'D. BY: RAS SCALE 2:1		FILE NAME: S26295X2 DGN	
LTR.	REVISIONS	LTR.	REVISIONS	THIS DRAWING CONTAINS INFORMATION THAT IS PROPRIETARY TO MOLEX INC. AND SHOULD NOT BE USED WITHOUT WRITTEN PERMISSION		DYN. SIZE CP C	