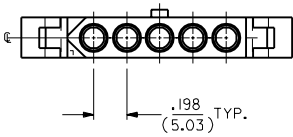
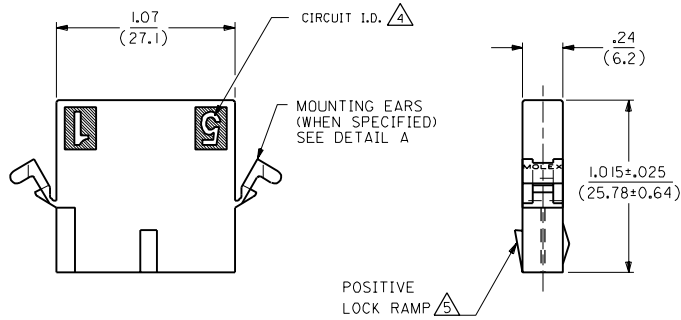
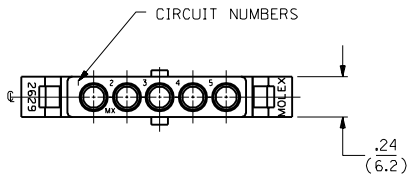
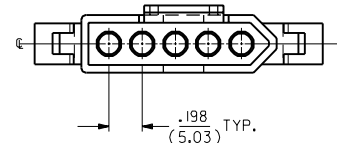
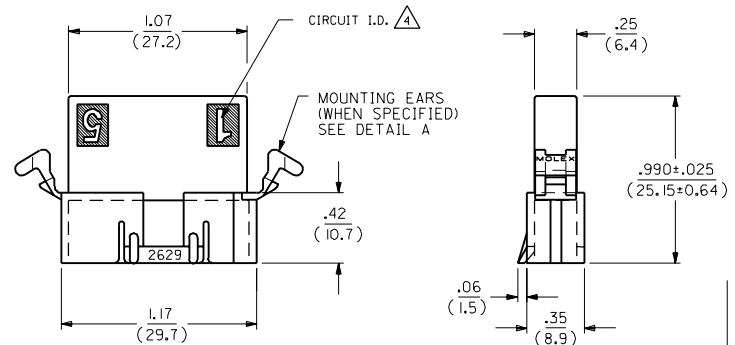
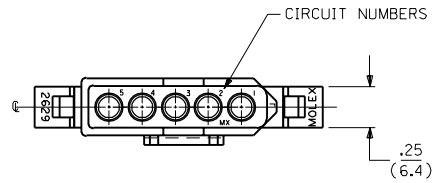


# RECEPTACLE



VIEW OF RECEPTACLE VERSION  
WITH PASSIVE LOCK RAMPS

# PLUG



J	REVISED PER ECN # U61508 05/31/96 CM
I	X-REMOVE -R2 ECN # U6 1080 3-6-96 RW
K	ADD PASSIVE LOCKS ECN # U5 0529 11-30-94 RW
J	ADD -P2 W/EDP # ECR U3 0450 GC 4/1/93 RW
I	X-REMOVE ECR U2 1105 GC 1/29/92 RW
HI	ADD -C MAT'L PER ECR U2 0741 GC 5/7/92 RW
H	REVISE PER ECR U1 2237 GC 1/9/92 RW
G	REVISED & REDRAWN ECR # UB1801 KBW 02-03-89 RW

2	J	
1	J	

UNLESS OTHERWISE SPECIFIED TOLERANCES: ANGULAR ± .005

INCH	METRIC
3 PLACE ± .010	---
2 PLACE ± .014	± 0.25
1 PLACE ---	± 0.35

DRAFT WHERE APPLICABLE MUST REMAIN WITHIN DIMENSIONS

THIS DRAWING CONTAINS INFORMATION THAT IS PROPRIETARY TO MOLEX INC. AND SHOULD NOT BE USED WITHOUT WRITTEN PERMISSION.

MOLEX INCORPORATED  
LITTLE ROCK, AR 72644 U.S.A.

2629

REVISIONS

REVISE ONLY ON CAD SYSTEM

TITLE: .093/(2.36) HOUSINGS PLUG & RECEPTACLE 5 CIRCUIT ±.198/(5.03)C

MOLEX INCORPORATED

FILE NAME: S26295X1.DWG

SCALE: 2:1

DATE: 2/3/89

DWG. NO.: SD-2629-\*

PLUG		RECEPTACLE	
ORDER NO	ENG NO	ORDER NO	ENG NO
03-09-2057	2629-P1	03-09-1057	2629-R1
PRELIMINARY	2629-P	PRELIMINARY	2629-R
		03-09-1054	2629-R2

**LEGEND:**

2629 - \* \* \* \* \*

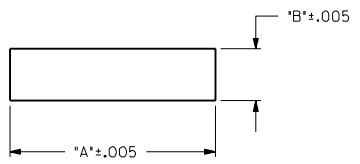
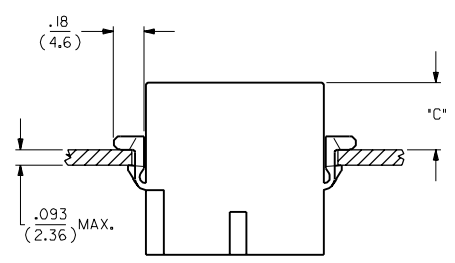
TYPE: \_\_\_\_\_  
P = PLUG  
R = RECEPTACLE

PLUG FEATURES: \_\_\_\_\_  
BLANK = WITH PREBENT EARS  
1 = WITHOUT EARS

RECEPTACLE FEATURES: \_\_\_\_\_  
BLANK = WITH PREBENT EARS, WITH POSITIVE LOCK RAMP  
1 = WITHOUT EARS, WITH POSITIVE LOCK RAMP  
2 = WITHOUT EARS, WITH PASSIVE LOCK RAMPS

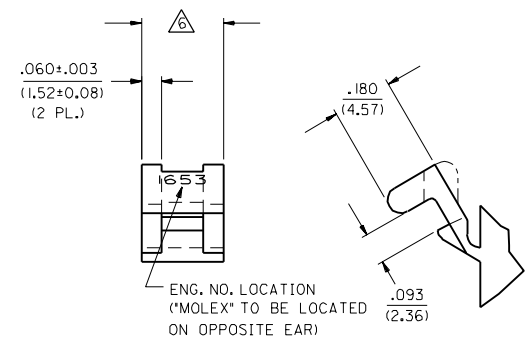
COLOR: \_\_\_\_\_  
BLANK = NATURAL COLOR  
AM = AMBER BK = BLACK BU = BLUE  
BN = BROWN GY = GRAY GN = GREEN  
OR = ORANGE RD = RED YW = YELLOW

MATERIAL: \_\_\_\_\_  
BLANK = NYLON TYPE 66, 94V-2 PER SMES-128-A-\*



RECOMMENDED PANEL OPENING

HOUSING	DIM. *A*	DIM. *B*	*C* PREBENT EAR
PLUG	1.33/(33.78)	.42/(10.67)	.40/(10.1)
RECEPT.	1.23/(31.24)	.31/(7.87)	.42/(10.6)



- NOTES:
- MOLEX PRODUCT SPEC 02-09 APPLIES.
  - 2629-P\* (PLUG) WILL ACCEPT 2629-R\* 5 CIRCUIT RECEPTACLES OR 1490-R\* 4 CIRCUIT RECEPTACLE.
  - ACCEPTS MOLEX .093 SERIES TERMINALS.
- ⚠️ CIRCUIT I.D. NUMBERS ON HOUSING APPEAR ON PARTS FROM TOOLS BUILT AFTER 1/6/92.
- ⚠️ LOCK RAMP ON THIS SIDE OF PART AVAILABLE IN EITHER A POSITIVE LOCK RAMP OR PASSIVE LOCK RAMP STYLE.
- ⚠️ FOR DIMENSION, SEE SHEET 1.

**DETAIL A**  
.093/(2.36) PREBENT MOUNTING EAR  
(SCALE 4:1)

I SEE SHEET 1		DIMENSIONS SHOWN (METRIC) INCH		▽ = 0 ▽ = 0		REVISE ONLY ON CAD SYSTEM	
K SEE SHEET 1		UNLESS OTHERWISE SPECIFIED TOLERANCES ANGULAR ± DMS		TITLE		.093/(2.36) HOUSINGS PLUG & RECEPTACLE	
J SEE SHEET 1		INCH METRIC		FILE NAME		SD-2629-*	
I SEE SHEET 1		3 PLACE ± .010 ---		SHEET NO.		2	
HI SEE SHEET 1		2 PLACE ± .014 ± 0.25		DATE		2/ 3/89	
H SEE SHEET 1		1 PLACE --- ± 0.35		PART NO.		SD-2629-*	
G SEE SHEET 1		DRAFT WHERE APPLICABLE MUST REMAIN WITHIN DIMENSIONS		MOLEX INCORPORATED		LITTLE ROCK, AR 60532 U.S.A.	
LTR. REVISIONS		LTR. REVISIONS		DRAWN BY		KBW	
				ENK'D BY		RW	
				APP'D BY		RAS	
				SCALE		2: 1	