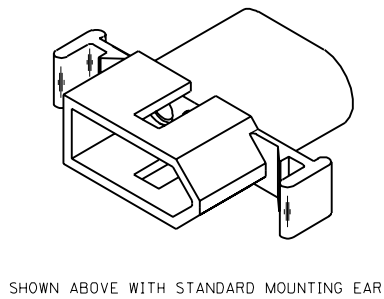
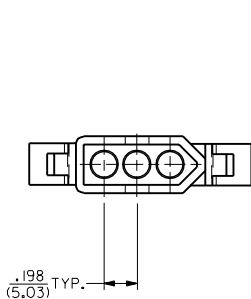
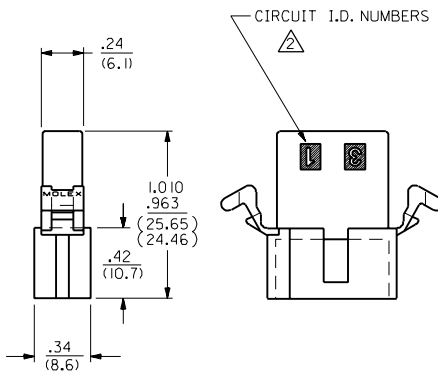
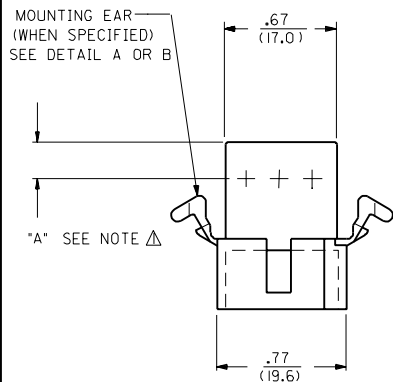
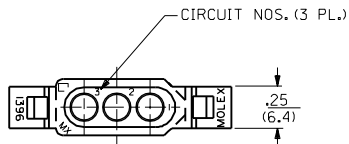
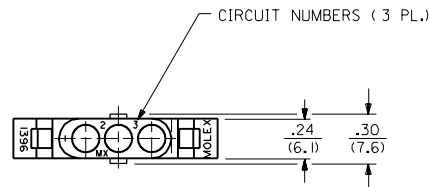


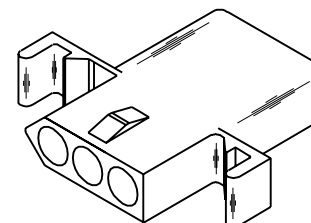
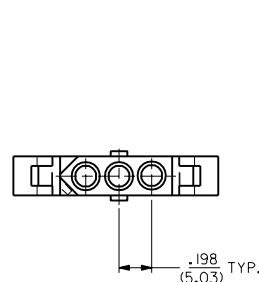
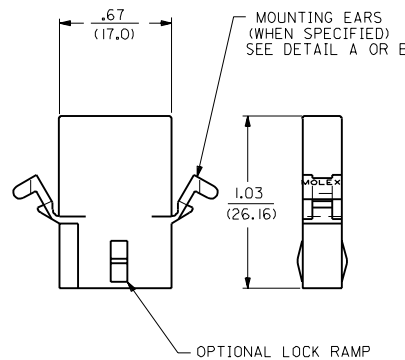
PLUG



RECEPTACLE



OPTIONAL END CONFIGURATION



NOTES:
 Δ DIMENSION FROM THE BACK OF HOUSING TO THE END OF THE BRUSH ON THE WIRE INSERTED INTO THE HOUSING
 DIM "A" = .256/6.50 FOR 42477 & 42478 TERMINALS
 .216/5.49 FOR ALL OTHER .093 TERMINALS
 DIM "B" = .377/9.58 FOR 42477 & 42478 TERMINALS
 .337/8.56 FOR ALL OTHER .093 TERMINALS

Y3	REVISED PER UCR2000-0583 3/1/00 DDB
Y2	REMOVE -R3, -R5 VER. PER ECON #UG 1479 6-10-96 RW
Y1	X-REMOVE 1396-R4 ECR U3 1583 GC 10/26/93 RW
Y	ADD CKT. I.D. #'S PER ECR U3 0683 GC 5/4/93 RW
X	REV MAT'L SPECS. ECR U2-1491 10-08-92 A.GUZIK
W1	ADD -D VERSIONS. ECR U1 1106 GC 7/25/91 RW
W	REVISE ON CAD ECR #UB 1381 JJS 4-24-88 RW
2	Y2
1	Y3
MFG. SH.	REV. LTR.

DIMENSIONS SHOWN METRIC (INCH) UNLESS OTHERWISE SPECIFIED TOLERANCES ANGULAR ± 1/2°		▽ = 0	▼ = 0	REVISE ONLY ON CAD SYSTEM
TITLE .093/(2.36) HOUSING, PLUG & RECEPTACLE 3 CIRCUIT, 198/(5.03) C		PART NO. SD-1396-•		
DRAWN BY JUS		CHKD. BY RW	FILE NAME S1396,3X1	DATE 4/3/88
APP'D. BY RAS		SCALE 2:1	MOLEX INC. 60532 U.S.A.	SHEET NO. 1 of 2
DRAWING INFORMATION		THIS DRAWING CONTAINS INFORMATION THAT IS PROPRIETARY TO MOLEX INC. AND SHOULD NOT BE USED WITHOUT WRITTEN PERMISSION. CP		

13 12 11 10 9 8 7 6 5 4 3 2 1

PLUG		RECEPTACLE	
ORDER NO.	ENG. NO.	ORDER NO.	ENG. NO.
03-09-2031	I396-P	03-09-1031	I396-R
03-09-2032	I396-P-I	03-09-1032	I396-R-I
03-09-7032	I396-P-IBK	03-09-1033	I396-R-2
03-09-7031	I396-PBK	03-09-6033	I396-R2BK
PRELIMINARY	I396-P-B	03-09-6032	I396-R-IBK
		03-09-6031	I396-RBK
		PRELIMINARY	I396-R-B
		PRELIMINARY	I396-R-I-B
		03-09-1081	I396-R4

LEGEND:

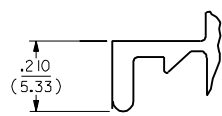
I396-*****

P = PLUG
R = RECEPTACLE

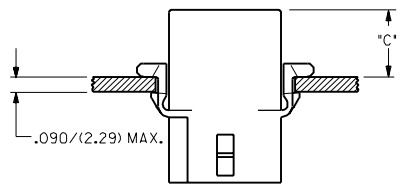
BLANK = WITH STANDARD EARS
 1 = WITHOUT EARS
 2 = RECEPTACLE WITHOUT EARS, WITHOUT LOCK RAMP
 3 = PLUG ONLY, W/ SIDE MOUNT (SEE SD-I396-P3)
 4 = WITH PREBENT EARS

COLOR: BLANK=NATURAL COLOR
 AM=AMBER BK=BLACK BU=BLUE
 BN=BROWN CY=GRAY GN=GREEN
 OR=ORANGE RD=RED YW=YELLOW

BLANK = NYLON 6/6, 94V-2
 B = NYLON TYPE 6/6, 94V-2, UV STABILIZED



DETAIL A
STANDARD MOUNTING EAR
(SCALE 4:1)

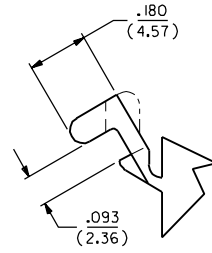


RECOMMENDED PANEL MOUNTING HOLE

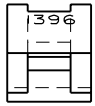
HOUSING	DIM. "A"	DIM. "B"	"C" PREBENT EAR	"C" STANDARD EAR
PLUG	.933/(23.70)	.375/(9.53)	.40/(10.2)	.38/(9.7)
RECEPT.	.830/(21.08)	.312/(7.92)	.41/(10.4)	.39/(9.9)

NOTES:

- 1. MOLEX PRODUCT SPEC 02-09 APPLIES.
- 2. CIRCUIT I.D. NUMBERS ON SIDE OF HOUSING APPEAR ON PARTS FROM TOOLS BUILT AFTER 5/4/93.



DETAIL B
PREBENT MOUNTING EAR
(SCALE 4:1)



I396

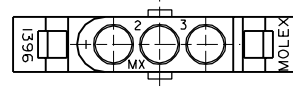
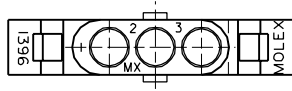
DETAIL B

PREBENT MOUNTING EAR
(SCALE 4:1)

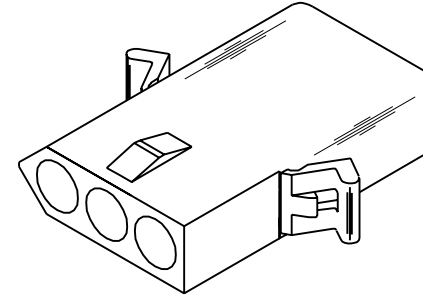
DIMENSIONS SHOWN (METRIC) INCH		▽=0 ▽=0		REVISE ONLY ON CAD SYSTEM	
UNLESS OTHERWISE SPECIFIED TOLERANCES ANGLES ARE 1/2°					
INCH		METRIC		TITLE	
3 PLACE	± .010	---	---	.093/(2.36) HOUSINGS	
2 PLACE	± .014	± 0.25	---	PLUG & RECEPTACLE	
1 PLACE	---	± 0.35	---	3 CIRCUIT .198/(5.03)C	
DRAFT WHERE APPLICABLE MUST REMAIN WITHIN DIMENSIONS					
DRAWING INFORMATION		PART NO.		DATE	
DRWG. BY: JJS	CHK'D. BY: RW	SEE CHART	MOLEX INCORPORATED	2	4/8/88
APP'D. BY: RAS	SCALE: :	FILE NAME: S13962X2	60532	U.S.A.	CP
LTR. REVISIONS		LTR. REVISIONS		SD-I396-*	

13 12 11 10 9 8 7 6 5 4 3 2 1

DWG. NO. SD-1396-001

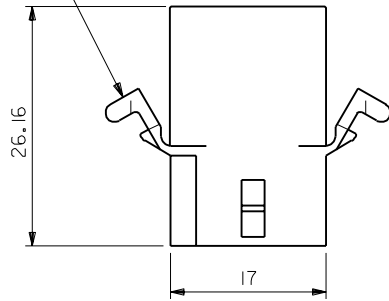


OPTIONAL END CONFIGURATION

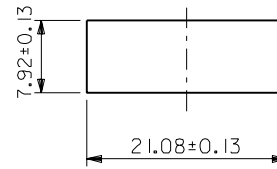
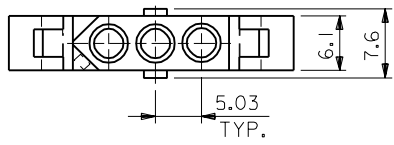
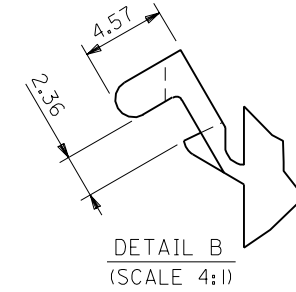
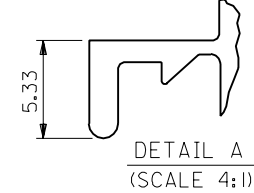
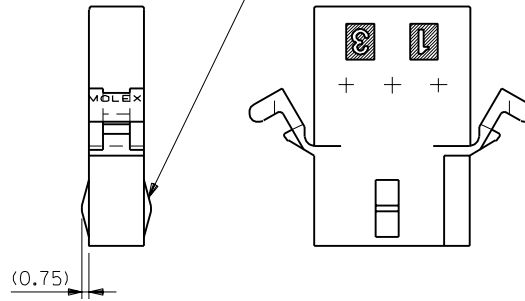


RECEPTACLE

MT'G EARS (表参照)
参照 DETAIL A OR B



LOCKING TAB (表参照)



パネル取付穴寸法
(パネル厚 2.29最大)

I396R4	03-09-1081	有	WITH	有	WITH DETAIL B
I396R2	03-09-1033	無	WITHOUT	無	WITHOUT
I396R1	03-09-1032	有	WITH	無	WITHOUT
I396R	03-09-1031	有	WITH	有	WITH DETAIL A
ENG. NO.	EDP NO.	LOCKING TABS		MT'G EARS	

MODEL NO.	03-09-1***	DIMENSIONS:	SHT	REV
DESIGN UNITS	<input checked="" type="checkbox"/> mm <input type="checkbox"/> INCH	<input type="checkbox"/> mm <input type="checkbox"/> INCH	<input type="checkbox"/> mm ONLY	REVISE ON CAD ONLY
THIRD ANGLE PROJECTION				
DRAWN BY & DATE	K.KOHAMA 00/08/28			
CHECKED BY & DATE	T.YAMAGUCHI 00/08/28			
APPROVED BY & DATE	M.FUKUSHIMA 00/08/28			
CAD FILENAME	I396001.S01	MATERIAL NO.	SEE NOTES	DRAWING NO.
				SD-1396-001
				SHEET NO. 1 OF 1

TITLE:
3 CIRCUITS RCPT HSG
(0.093 DIA TERMINAL)

MOLEX INCORPORATED

THIS DRAWING CONTAINS INFORMATION THAT IS PROPRIETARY TO MOLEX INCORPORATED AND SHOULD NOT BE USED WITHOUT WRITTEN PERMISSION.

EN-02J(097) MXJ-54

DO NOT SCALE DRAWING

EC NO. DRWN: CHK: APPR:	EC NO. DRWN: CHK: APPR:	EC NO. DRWN: CHK: APPR:	EC NO. DRWN: CHK: APPR:	EC NO. DRWN: CHK: APPR:
RELEASED				
EC NO. JC2001-0078				
DRWN: K.KOHAMA 00/08/28				
CHK: T.YAMAGUCHI				
APPR: M.FUKUSHIMA				
DESCRIPTION				
MATERIAL				
材料 NYLON66				
94V-2				
FINISH				
件 T-7				
WIRE RANGE				
適用電線範囲				
INS. RANGE				
設置条件				

GENERAL TOLERANCES: (UNLESS SPECIFIED)		SCALE	DESIGN UNITS
一般公差		2:1	<input checked="" type="checkbox"/> mm <input type="checkbox"/> INCH
10 UNDER	+0.25	DRAWN BY & DATE	
未滿	±0.25	K.KOHAMA 00/08/28	
10 OVER	+0.3	CHECKED BY & DATE	
以上	±0.25	T.YAMAGUCHI 00/08/28	
30 UNDER	+0.35	APPROVED BY & DATE	
未滿	±0.3	M.FUKUSHIMA 00/08/28	
30 OVER	+0.35	CAD FILENAME	
以上	±0.3	I396001.S01	
ANGLE	角度	MATERIAL NO.	
	+3°	SEE NOTES	

8 7 6 5 4 3 2 1