

**PLEASE CHECK WWW.MOLEX.COM FOR LATEST PART INFORMATION**

**Part Number:** [03-12-2015](#)  
**Status:** **Active**  
**Description:** 3.18mm Diameter, HCS125, Pin and Socket Plug Housing, Single Row, with Panel Mount Ears, 1 Circuit, Natural (Translucent)

**Documents:**

[3D Model](#) [Product Specification PSX-42179 \(PDF\)](#)  
[Drawing \(PDF\)](#) [RoHS Certificate of Compliance \(PDF\)](#)

**Agency Certification**

CSA LR19980  
 UL E29179

**General**

Product Family Crimp Housings  
 Series [42179](#)  
 Application Power, Wire-to-Wire  
 Product Name HCS-125  
 UPC 800754232692

**Physical**

Circuits (maximum) 1  
 Color - Resin Natural  
 Flammability 94V-2  
 Gender Dual  
 Glow-Wire Compliant No  
 Lock to Mating Part Yes  
 Material - Resin Nylon  
 Net Weight 1.570/g  
 Number of Rows 1  
 Packaging Type Bag  
 Panel Mount Yes  
 Pitch - Mating Interface N/A  
 Pitch - Termination Interface N/A  
 Polarized to Mating Part Yes  
 Stackable No  
 Temperature Range - Operating -40°C to +105°C

**Electrical**

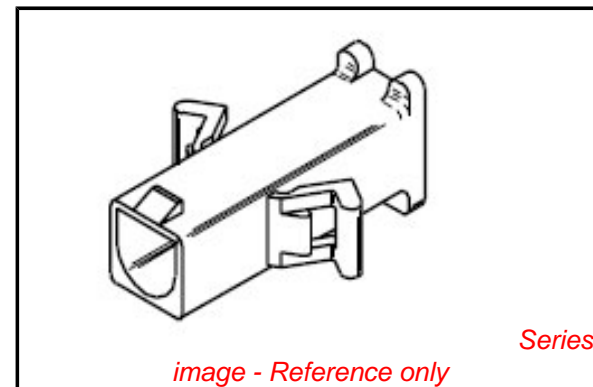
Current - Maximum per Contact 20A

**Material Info**

Old Part Number 4217901P

**Reference - Drawing Numbers**

Product Specification PSX-42179  
 Sales Drawing SD-42179-1\*



**EU RoHS**

**ELV and RoHS Compliant**

**REACH SVHC**

**Contains SVHC: No**  
**Low-Halogen Status**  
**Low-Halogen**

**China RoHS**



**Need more information on product environmental compliance?**

Email [productcompliance@molex.com](mailto:productcompliance@molex.com)  
 For a multiple part number RoHS Certificate of Compliance, [click here](#)

Please visit the [Contact Us](#) section for any non-product compliance questions.

**Search Parts in this Series**

42179Series

**Mates With**

03-12-1016

**Use With**

[1900](#) Male Crimp Terminals, [1901](#) , [2046](#) , [2047](#) , [42546](#) , [42547](#) , [42554](#) , [42555](#)