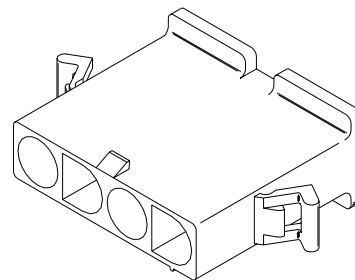


molex® **3.18mm (.125") Diameter
HCS-125
Pin and Socket
Plug**

42179
Single Row



FEATURES AND SPECIFICATIONS

Features and Benefits

- Meets the need for a connector system rated at greater than the industry-standard 12.0A per circuit; the HCS-125 is an enhanced version of Molex's proven .125" system
- Positive locks prevent accidental unmating
- Fully isolated terminals protect terminals
- Pull tabs
- 1, 2, 3 and 4 circuit housings

Reference Information

Packaging: Bag
UL File No.: E29179
CSA File No.: LR19980
Mates With: HCS-125 receptacles
TUV License No.: R9151436
Use With: .125" terminals
Designed In: Inches

Electrical

Voltage: 600V
Current: 20.0A max.
Dielectric Withstanding Voltage: 1500V AC rms

Mechanical

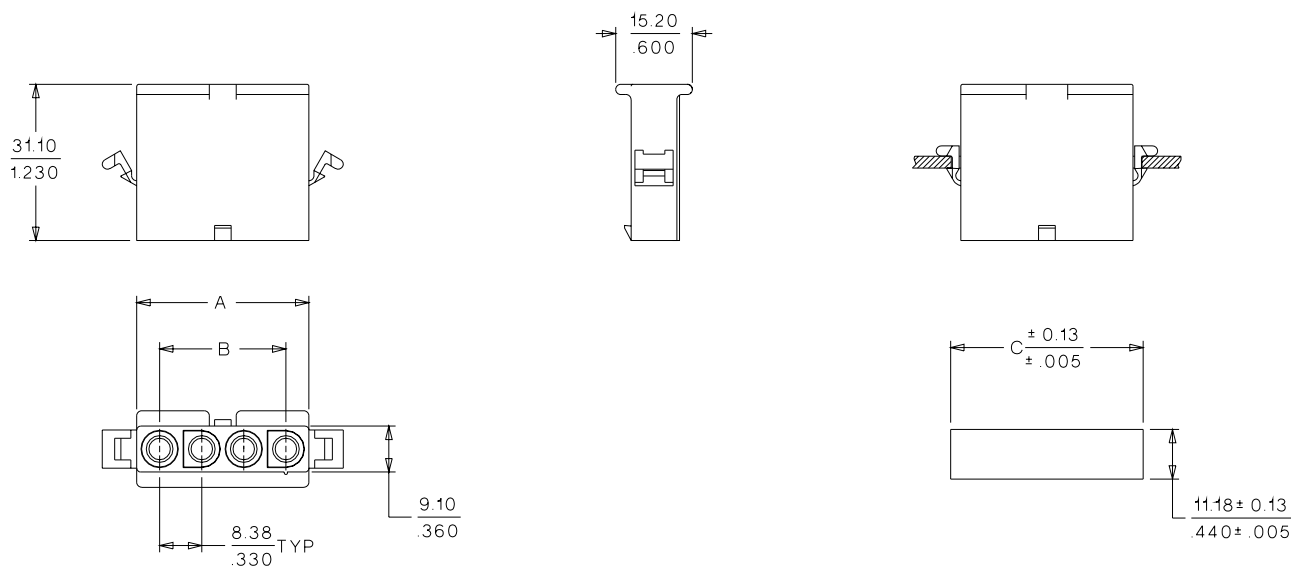
Contact Retention to Housing: 20 lb min.

Physical

Housing: Nylon, UL 94V-2
Temperature: -40 to +105°C
Wire Accommodation: 10 to 18 AWG

Power Connectors

K



ORDERING INFORMATION AND DIMENSIONS

Circuits	Order No.		Dimension		
	Panel Mount	Free Hanging	A	B	C
1	03-12-2015	03-12-2016	9.10 (.360)		13.23 (.521)
2	03-12-2025	03-12-2026	17.50 (.690)	8.38 (.330)	21.62 (.851)
3	03-12-2035	03-12-2036	25.90 (1.020)	16.76 (.660)	30.00 (1.181)
4	03-12-2045	03-12-2046	34.30 (1.350)	25.14 (.990)	38.38 (1.511)