

PLEASE CHECK WWW.MOLEX.COM FOR LATEST PART INFORMATION

Part Number: [0003122045](#)
Status: **Active**
Description: 3.18mm Diameter, HCS125, Pin and Socket Plug Housing, Single Row, with Panel Mount Ears, 4 Circuits, Natural (Translucent)

Documents:

[3D Model](#) [Product Specification PSX-42179-001 \(PDF\)](#)
[Drawing \(PDF\)](#) [RoHS Certificate of Compliance \(PDF\)](#)

Agency Certification

CSA LR19980
 UL E29179

General

Product Family Crimp Housings
 Series [42179](#)
 Application Power, Wire-to-Wire
 MolexKits Yes
 Product Name HCS-125
 UPC 800754232753

Physical

Circuits (maximum) 4
 Color - Resin Natural
 Flammability 94V-2
 Gender Dual
 Glow-Wire Compliant No
 Lock to Mating Part Yes
 Material - Resin Nylon
 Net Weight 5.410/g
 Number of Rows 1
 Packaging Type Bag
 Panel Mount Yes
 Pitch - Mating Interface 8.38mm
 Polarized to Mating Part Yes
 Stackable No
 Temperature Range - Operating -40°C to +105°C

Electrical

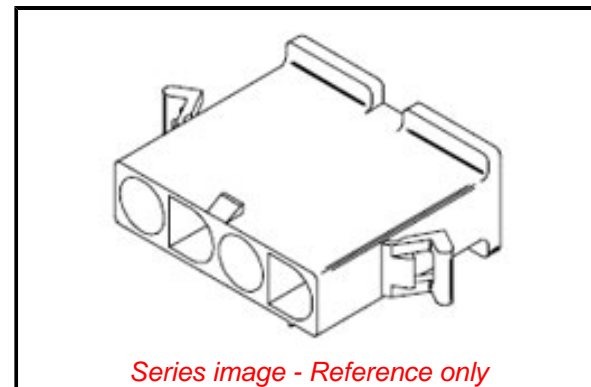
Current - Maximum per Contact 20.0A

Material Info

Engineering Number 42179-4P

Reference - Drawing Numbers

Product Specification PSX-42179-001
 Sales Drawing SD-42179-4*



EU ELV

Not Relevant

EU RoHS

Compliant

REACH SVHC

Not Contained Per
 -ED/01/2017 (12
 January 2017)

Halogen-Free

Status

Low-Halogen

Need more information on product environmental compliance?

Email productcompliance@molex.com
 Please visit the [Contact Us](#) section for any non-product compliance questions.

China ROHS	Green Image
ELV	Not Relevant
RoHS Phthalates	Not Contained

Search Parts in this Series

[42179 Series](#)

Mates With

[03-12-1046](#)

Use With

[1900](#) Male Crimp Terminals, [1901](#) , [2046](#) , [2047](#) , [42546](#) , [42547](#) , [42554](#) , [42555](#)

PLEASE CHECK WWW.MOLEX.COM FOR LATEST PART INFORMATION