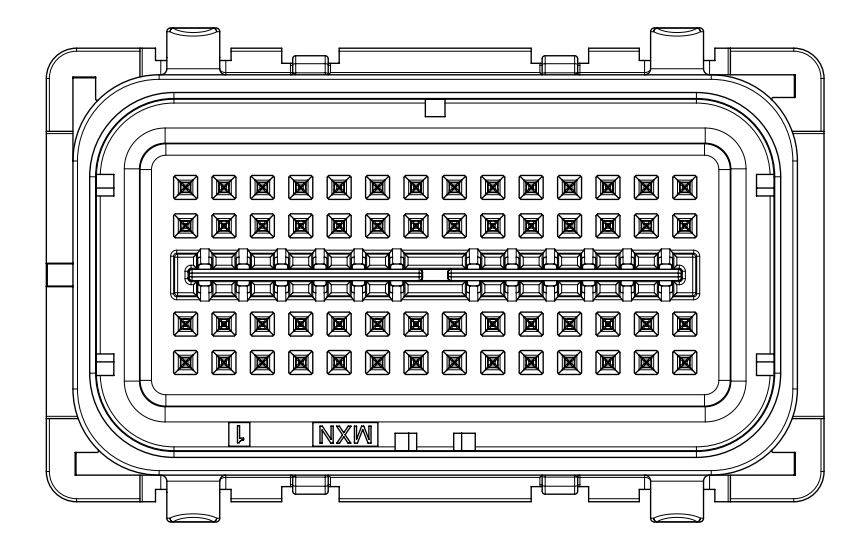
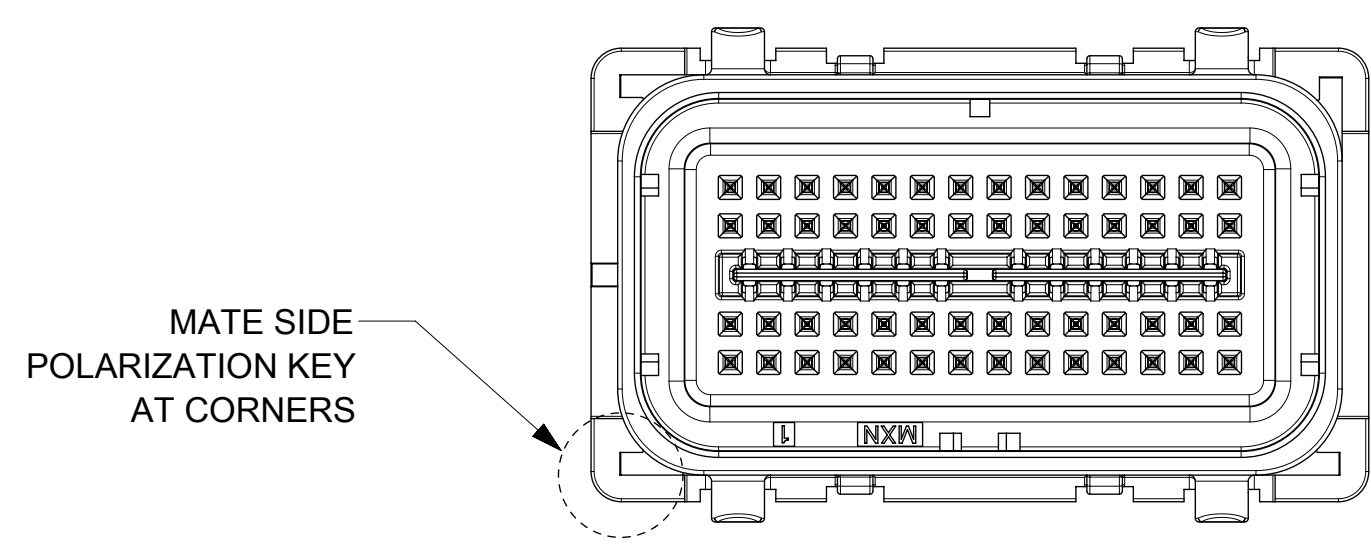
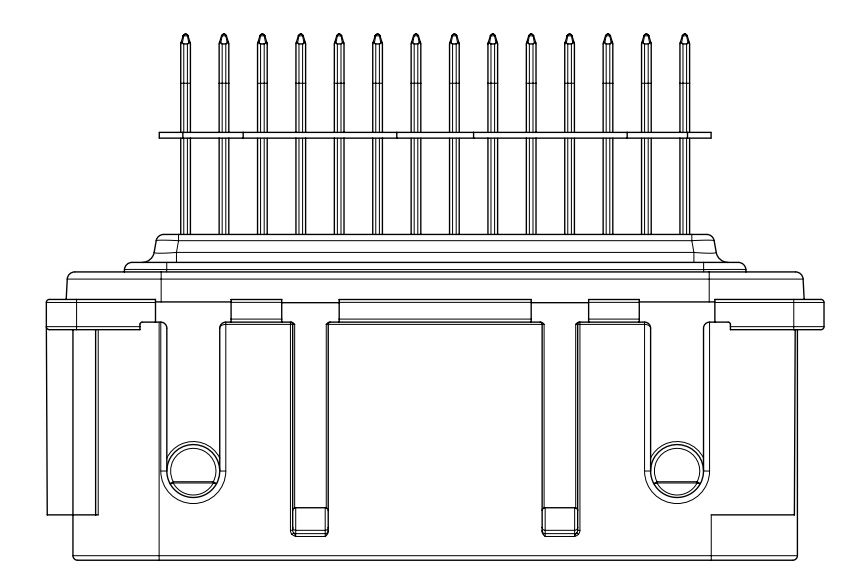
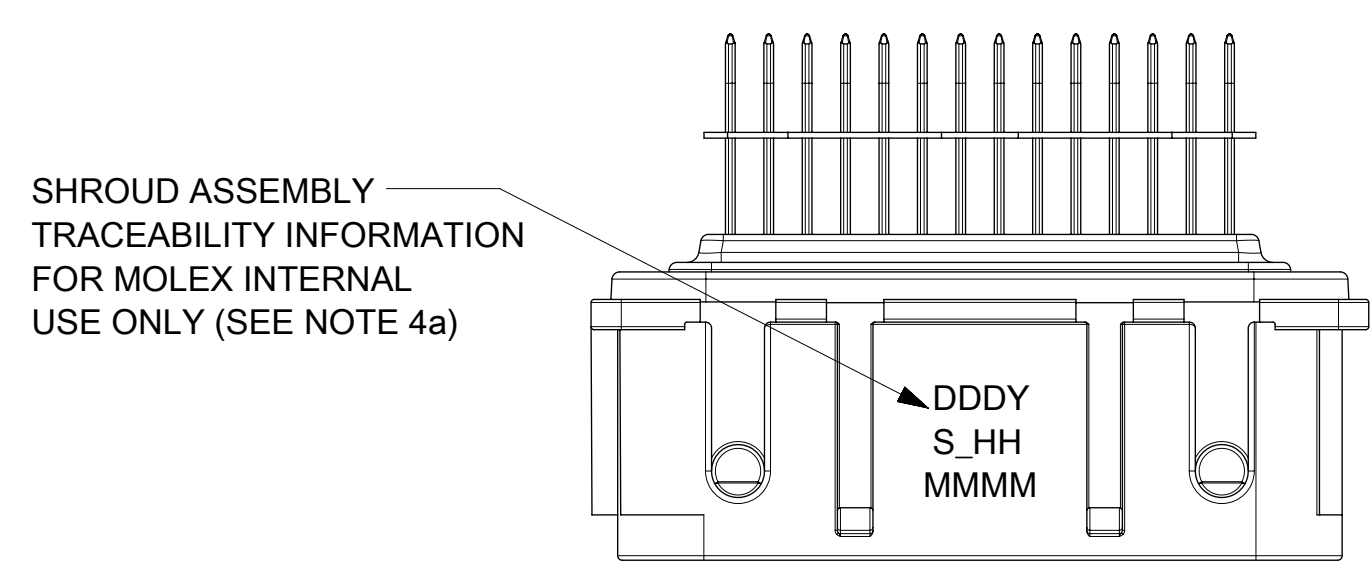
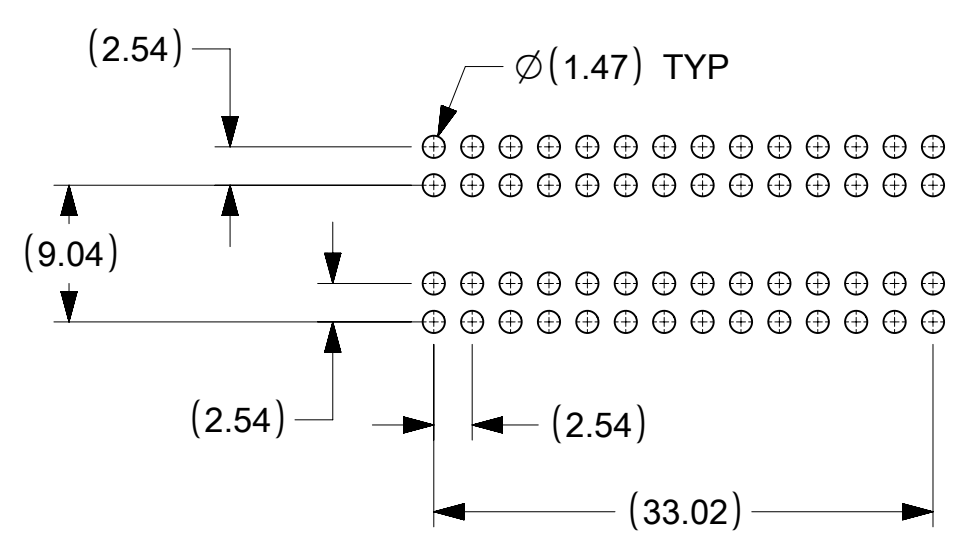


SHROUD ASSEMBLY NUMBER	MATE SIDE PIN FINISH	HOUSING COLOR	HARNESS SIDE KEY CODE	PCB SIDE KEY LOCATION		MATING HARNESS PART NUMBER (OPT 0, OPT 9)	STATUS
				DIM. "A" ±0.30	DIM "B" ±0.30		
31386-2001	GOLD	BLUE	G	6.35	26.67	345760703 345761903	SALEABLE
31386-2002	GOLD	GRAY	H	1.27	21.59	345760803 345762003	SALEABLE
31386-2020	SILVER	BLUE	G	6.35	26.67	345760703 345761903	SALEABLE
31386-2021	SILVER	GRAY	H	1.27	21.59	345760803 345762003	SALEABLE



KEY OPTION "G"

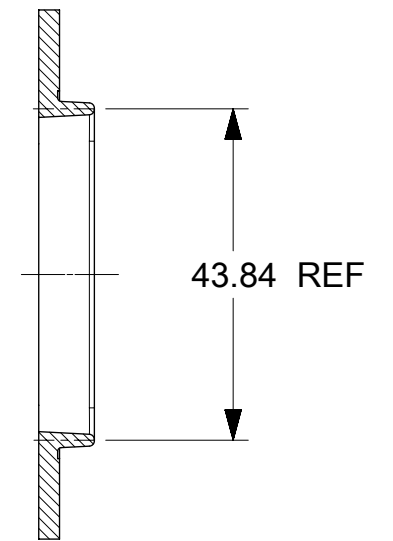
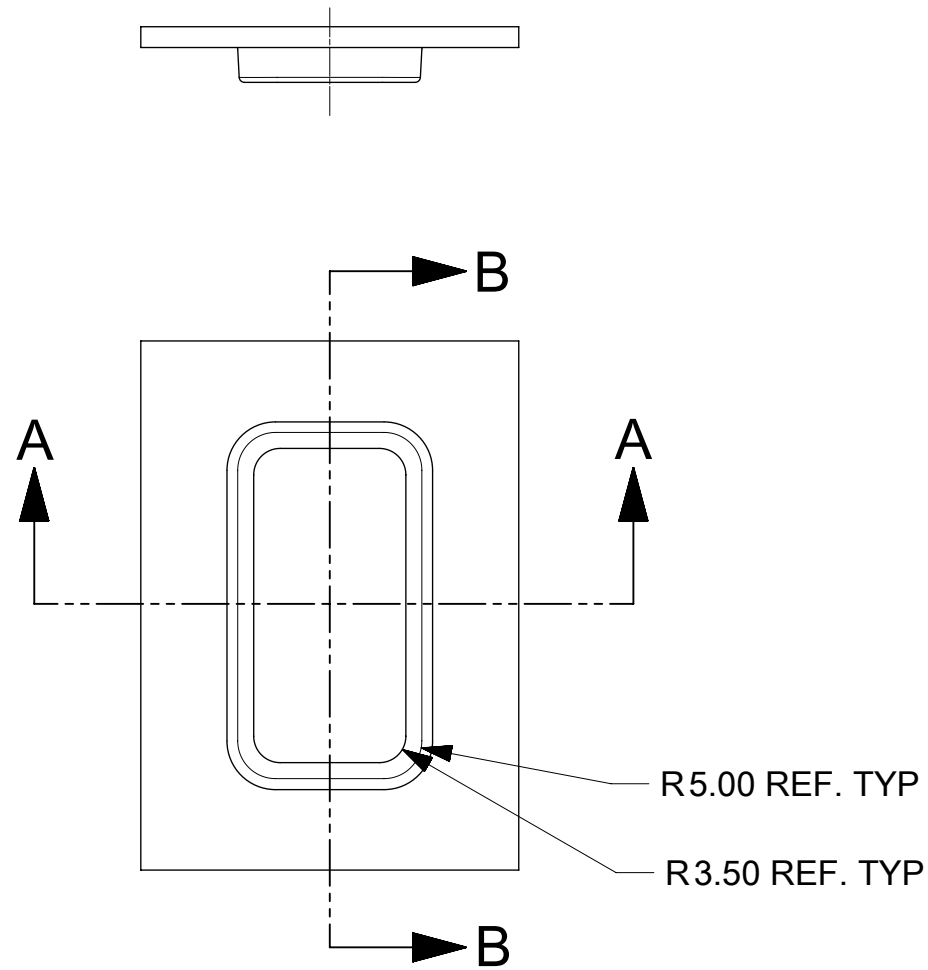
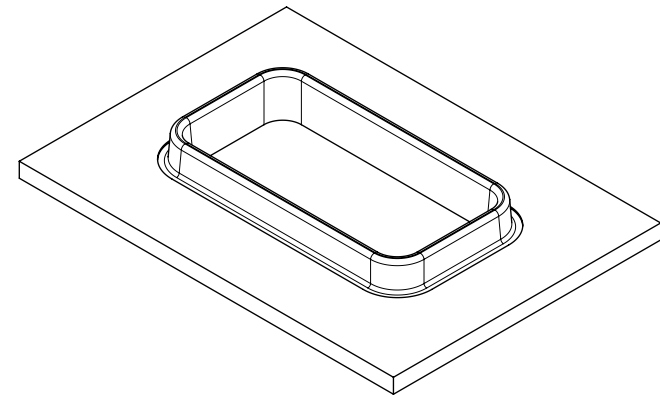
KEY OPTION "H"



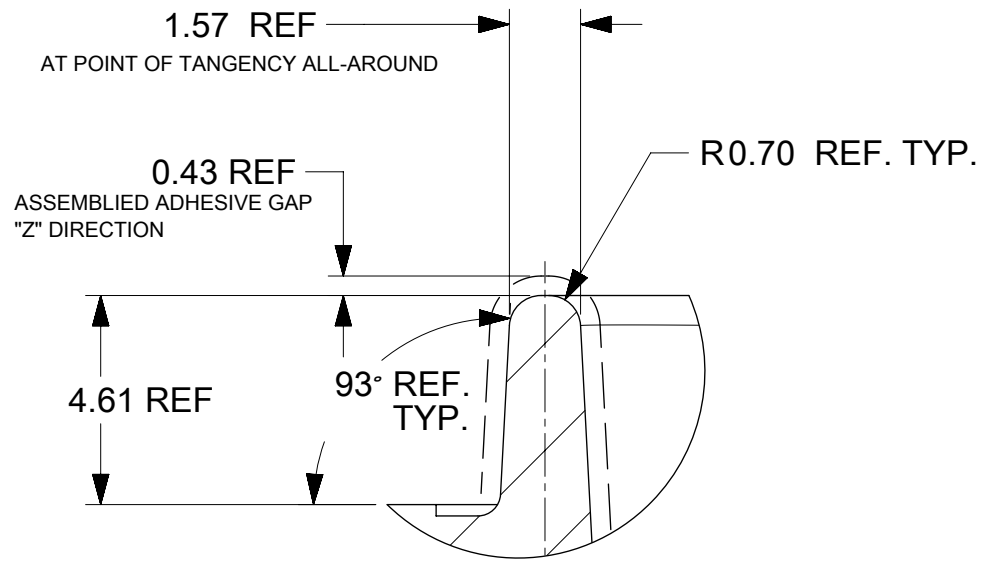
PCB LAYOUT FOR REFERENCE ONLY

QUALITY SYMBOLS		THIS DRAWING CONTAINS INFORMATION THAT IS PROPRIETARY TO MOLEX ELECTRONIC TECHNOLOGIES, LLC AND SHOULD NOT BE USED WITHOUT WRITTEN PERMISSION									
∇ = 0	2018/10/12	GENERAL TOLERANCES (UNLESS SPECIFIED)	DIMENSION UNITS	SCALE							
∇ = 0	2018/12/10		MM	2:1							
∇ = 0	2018/12/10	ANGULAR TOL ± 3.0 °	DRWN BY	DATE	56 CKT SHROUD ASSEMBLY 0.64 SQ. PINS MX123						
∇ = 0		4 PLACES ±	FJAKLIC	04/30/08							
∇ = 0		3 PLACES ±	CHKD BY	DATE	PRODUCT CUSTOMER DRAWING						
∇ = 0		2 PLACES ± 0.13	FJAKLIC	04/30/08							
∇ = 0		1 PLACE ± 0.25	APPR BY	DATE	SERIES MATERIAL NUMBER CUSTOMER						
∇ = 0		0 PLACES ±	GPRATT	05/05/08							
∇ = 0		DRAFT WHERE APPLICABLE MUST REMAIN WITHIN DIMENSIONS	DRAWING SIZE	THIRD ANGLE PROJECTION	31386	SEE CHART	GENERAL MARKET				
∇ = 0			D		DOCUMENT NUMBER	DOC TYPE	DOC PART	SHEET NUMBER			
	B13				SD-31386-056	PSD	000	3 OF 3			

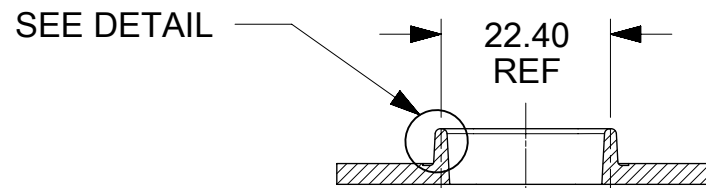
RELEASE STATUS	RELEASE DATE
----------------	--------------



SECTION B-B



SCALE 6:1



SECTION A-A

THIS DRAWING CONTAINS INFORMATION THAT IS PROPRIETARY TO MOLEX ELECTRONIC TECHNOLOGIES, LLC AND SHOULD NOT BE USED WITHOUT WRITTEN PERMISSION

EC NO: 121890 DRWN: BSKANTHARAJU CHKD: APPR: DKRAWCZYK	2017/03/28	GENERAL TOLERANCES (UNLESS SPECIFIED) ANGULAR TOL ± ° 4 PLACES ± 3 PLACES ± 2 PLACES ± 1 PLACE ± 0 PLACES ± DRAFT WHERE APPLICABLE MUST REMAIN WITHIN DIMENSIONS	DIMENSION UNITS	SCALE					
	2017/10/12		MM	1:1					
				DRWN BY	DATE	SMALL FOOTPRINT ADHESIVE TONGUE GEOMETRY			
				FJAKLIC	11/21/2008				
				CHK'D BY	DATE				
		GPRATT	11/21/2008						
		APPR BY	DATE	SERIES	MATERIAL NUMBER	CUSTOMER			
		DKRAWCZYK	2013/02/19	31386		GENERAL MARKET			
				DRAWING SIZE	THIRD ANGLE PROJECTION	DOCUMENT NUMBER	DOC TYPE	DOC PART	SHEET NUMBER
				B		SD-31386-156	PSD	000	1 OF 1

RELEASE STATUS	RELEASE DATE
----------------	--------------