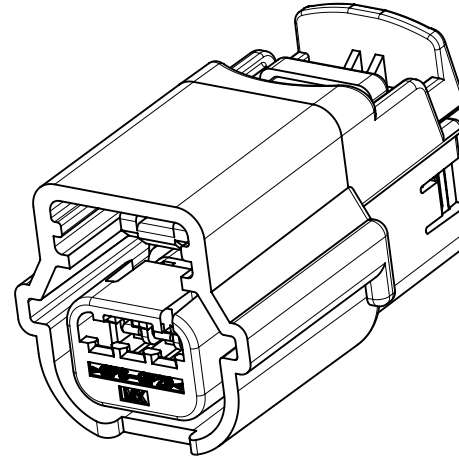
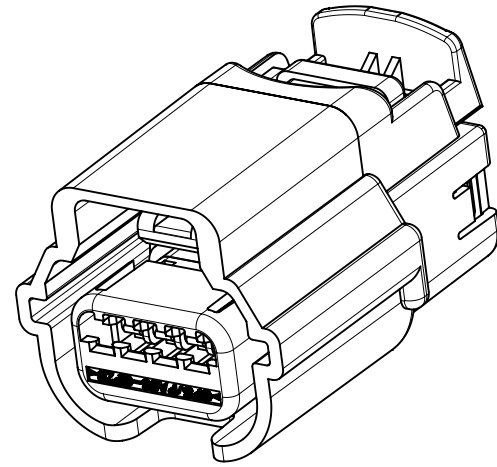


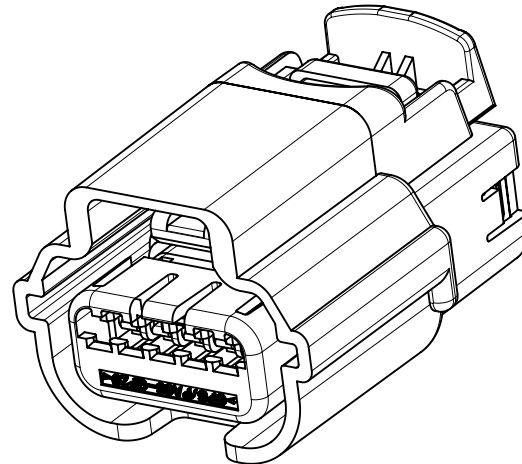
1X2



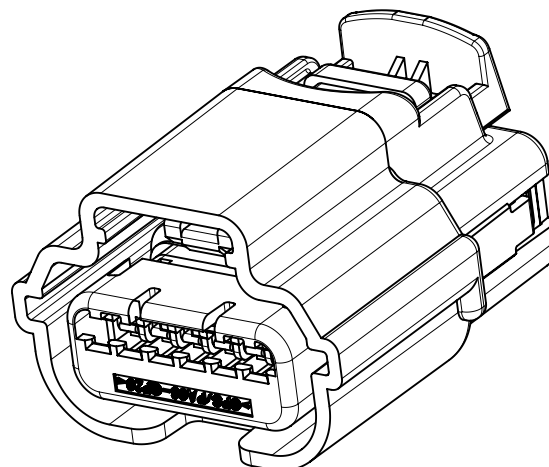
1X3



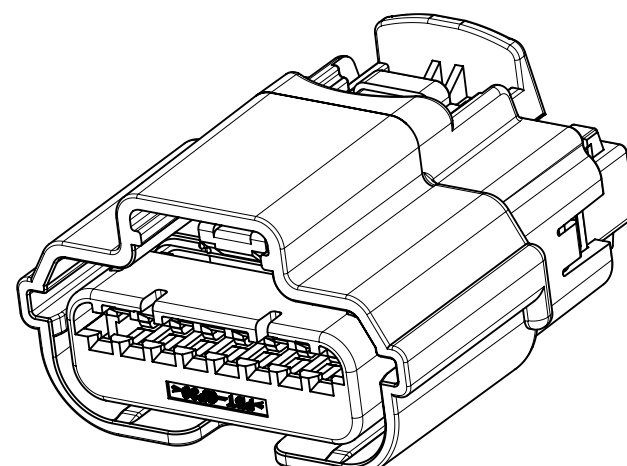
1X4



1X5



1X6



1X8

TABLE OF CONTENTS	
SHEET NO.	SHEET DESCRIPTION
1	NOTES AND BOM
2	CONNECTOR ASSEMBLY WITHOUT CLIPSLOT
3	CONNECTOR ASSEMBLY WITH CLIPSLOT
4-5	KEY CONFIGURATIONS
6-9	BOM

DRAWING INFORMATION	
DESCRIPTION	DRAWING NO.
PRODUCT SPECIFICATION	PS-31402-000
	FOR 31404 1X8 REFER TO PS-31404-001-1X8
PACKAGING	PK-31300-256
SALES DRAWING	SD-31402-211
	FOR 31404 1X8 REFER TO SD-31404-811
TEST SUMMARY	FOR 1X2 REFER TO TS-31402-001-1X2
	FOR 1X3 REFER TO TS-31402-001-1X3
	FOR 1X6 REFER TO TS-31402-001-1X6
	FOR 31404 1X8 REFER TO TS-31404-001-1X8

MATING INTERFACE DRAWING	
DESCRIPTION	INTERFACE DEFINITION
1X2	*064-S-002-1-Z02
1X3	*064-S-003-1-Z01
1X4	*064-S-004-1-Z02
1X5	*064-S-005-1-Z02
1X6	*064-S-006-1-Z02
1X8	*064-S-008-1-Z02

NOTES: VALID UNLESS OTHERWISE SPECIFIED

1. GENERAL:
  - a. APPLICATION SPECIFICATION SEE: AS-31402-000
    - CONTAINS: SEE AS CONTENT
    - DESIGNED TO MATE WITH DEVICE OR CONNECTOR AS SPECIFIED IN THE MATING INTERFACE DRAWINGS CHART.
    - \*DENOTES DRAWINGS THAT CAN BE ACCESSED AT <http://ewcap.uscarteams.org/>.
    - ASSEMBLY SHIPPED WITH PLR IN PRE-LOCK POSITION (SEE PLR PRE-LOCK VIEW ON SHEET 2 SECTION A-A).
  - b. PRODUCT RELATED DRAWING REFER TO DRAWING INFORMATION CHART
  - c. TPA'S MAY BECOME SEATED DURING TRANSIT. IF THIS OCCURS, TPA'S SHOULD BE MOVED TO THE PRE-LOCKED POSITION PRIOR TO FEMALE TERMINAL INSTALLATION. REFERENCE PRODUCT SPECIFICATION: PS-34646-001
  - d. PARTS MUST BE IN COMPLIANCE TO MOLEX CHEMICAL SUBSTANCES FOR PRODUCTS AND PACKAGING SPECIFICATION: QEHS-699000-301
  - e. DATA MUST BE SUBMITTED UNDER THE MOLEX PART NUMBER TO IMDS (COMPANY ID#13255)
  - f. SYSTEM EXCEPT SERIES 31404 1X8 CIRCUIT TO BE USED WITH OUTSIDE WIRE DIAMETERS RANGING FROM 1.20MM TO 2.06MM WITHIN RANGE OF:
    - SAE 22 AWG TO 18 AWG PER ESB-M1L123-A2
    - ISO 0.35MM<sup>2</sup> TO 0.75MM<sup>2</sup> PER GMW15626 AND ES-AU5T-1A348-AA
  - g. POLARIZATION FEATURE EFFECTIVENESS PER USCAR-2 PARAGRAPH 5.4.4 IS REDUCED WHEN TESTING ALL POLARIZATION OPTIONS: 100N MIN.
  - h. SEE SHEET #3 FOR CONNECTOR ASSEMBLY WITH CLIPSLOP
  - i. FOR CLIPSSLOT CONNECTOR: CLIP OVERHANGS CONNECTOR, PLEASE CHECK APPLICATION (COULD CAUSE WIRE CHAFING)-SHORTER CLIP IS A RECOMMENDATION.

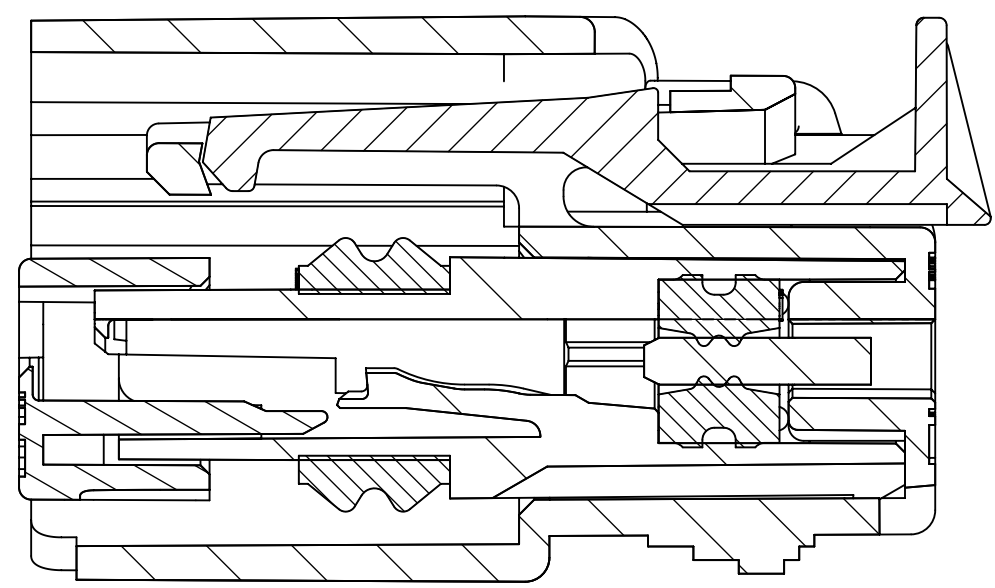
2. DESIGN - GEOMETRY:
  - a. THE 3-D CAD DATA IS BASIC (WITHOUT TOLERANCE) AND MASTER FOR THIS PART WITH THE EXCEPTION OF UNDERLINED DIMENSIONS. DIMENSIONAL INFORMATION NOT SHOWN ON THIS DRAWING IS DEFINED BY THE DATA FILE AT ITS LATEST REVISION.
  - b. GEOMETRIC DIMENSIONS AND TOLERANCES PER ASME Y14.5M-2009
  - c. EDGES AND UNDIMENSIONED DETAILS PER ISO13715
  - d. CORNERS SHOWN AS SHARP TO BE R 0.2 MAX.
  - e. LETTERING SHALL BE 0.15 MAX RAISED IN 0.25 MAX RECESS PAD. THIS INCLUDES RECYCLING CODE, CAVITY ID, VENDOR IDENTIFICATION, AND CUSTOMER MATERIAL NUMBER.
  - f. VISUAL DEFECTS SHALL MEET COSMETIC STANDARD PS-45499-002 (Class B).
  - g. DATE CODE: FIRST TWO DIGITS ARE THE CALENDAR YEAR (EXAMPLE: 04 = 2004). THIRD THROUGH 5TH DIGIT DAY # OF THE CALENDAR YEAR (EXAMPLE: FEB. 3RD = '034').

PART NUMBER LEGEND  
CONNECTOR ASSEMBLY

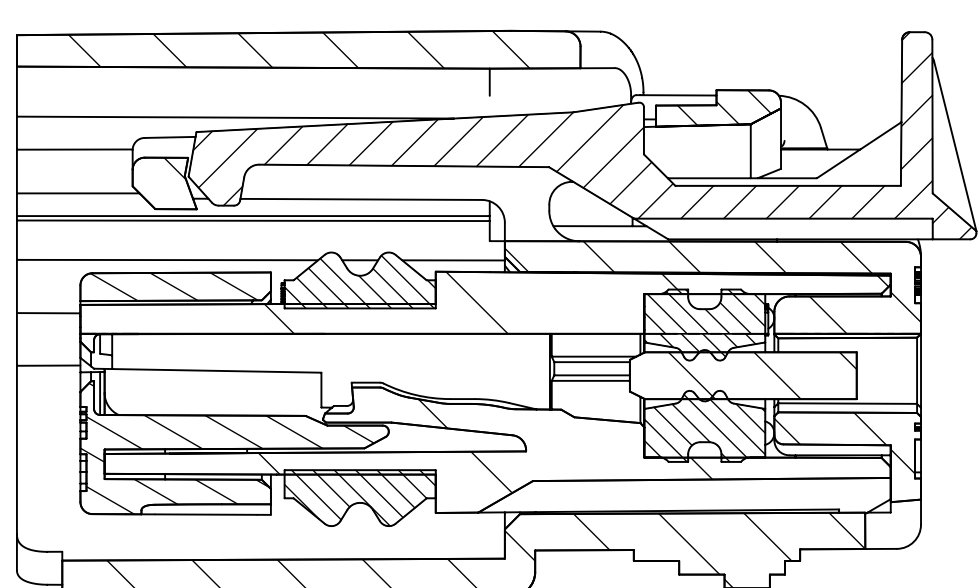
- 3140X-XXXX
- SEAL PLUG CONFIGURATION (AS MOLDED)
    - 0 - ALL CIRCUITS OPEN
    - 1-9 SEE CHART
  - CPA OPTION
    - 0 OR 2 - WITHOUT CPA
    - 1 OR 3 - WITH CPA
    - 4 - WITHOUT CPA, WITH CLIPSLOT
    - 5 - WITH CPA, WITH CLIPSLOT
  - USCAR POLARIZATION OPTION
    - 1 - POLARIZATION OPTION A
    - 2 - POLARIZATION OPTION B
    - 3 - POLARIZATION OPTION C
    - 4 - POLARIZATION OPTION D
    - 5 - POLARIZATION OPTION B, BLACK
    - 6 - POLARIZATION OPTION C, BLACK
    - 7 - POLARIZATION OPTION D, BLACK
    - 8 - POLARIZATION OPTION C, NATURAL
    - 9 - POLARIZATION OPTION D, GRAY
    - 0 - POLARIZATION OPTION D, DARK GRAY
  - CIRCUIT SIZE 2, 3, 4, 5, 6 & 8
    - 6 - CIRCUIT SIZE 6, WITH 31412-6500 OR 31412-6501 RING SEAL (FOR 31402 AND 31403 SERIES) WITH 31412-6500 RING SEAL (FOR 31404 SERIES)
    - 7 - CIRCUIT SIZE 6, WITH 31412-6501 RING SEAL (FOR 31404 SERIES)
  - TERMINAL OPTION
    - 2 - TYCO/MOLEX GET 0.64
    - 3 - MOLEX 0.64
    - 4 - YAZAKI KAIZEN 0.64/TE GEN Y 0.64/JST AIT 0.64

U4	DELETE P/N 31402-2120/2130
U3	DELETE OBSOLETE P/NS (31404-6XXX) DELETE P/N WITH GREEN AND BROWN COLOR
U2	ADD P/N: 31404-7126, 31404-7136
U1	ADD P/N: 31402-3115, 31402-3105
U	OBSOLETE P/N 31404-6XXX
T8	ADD P/N: 31404-7804, 31404-7814
T7	CHANGE STATUS FROM "TOOLED" TO "SALEABLE" ADD P/N 31404-7135/7125, 31404-7216/7206, 31404-7913/7903
T6	ADD P/N: 31404-7124, 31404-7134, 31404-7205, 31404-7215, 31404-7803, 31404-7813
T5	ADD P/N: 31404-7123; 31404-7133; 31404-7902; 31404-7912
T4	ADD P/N:31402-2120,31402-2130,31402-3104,31402-3114,31402-6201,31402-6211,31402-6301,31402-6311,31402-6401,31402-6411,31402-6501,31402-6511,31402-6601,31402-6611,31402-6701,31402-6711,31403-6201,31403-6211,31403-6301,31403-6311,31403-6401,31403-6411,31403-6501,31403-6511,31403-6601,31403-6611,31403-6701,31403-6711,31404-6201,31404-6211
T2	UPDATE BOM INFORMATION ON SHEET 9
T1	DELETE 31402/31403-7*** P/N
T	ADD P/N 3140*-7XXXX FOR 1X6 WITH 31412-6501 RING SEAL VERSION ON SHEET 9
S	ADD P/N: 31402-6131; 31402-6121
R	ADD P/N: 31404-3112; 31404-3102
P	ADD P/N: 31403-3132; 31403-3122
M	ADD P/N: 31402-6118; 31402-6108
REV	REV DESCRIPTION

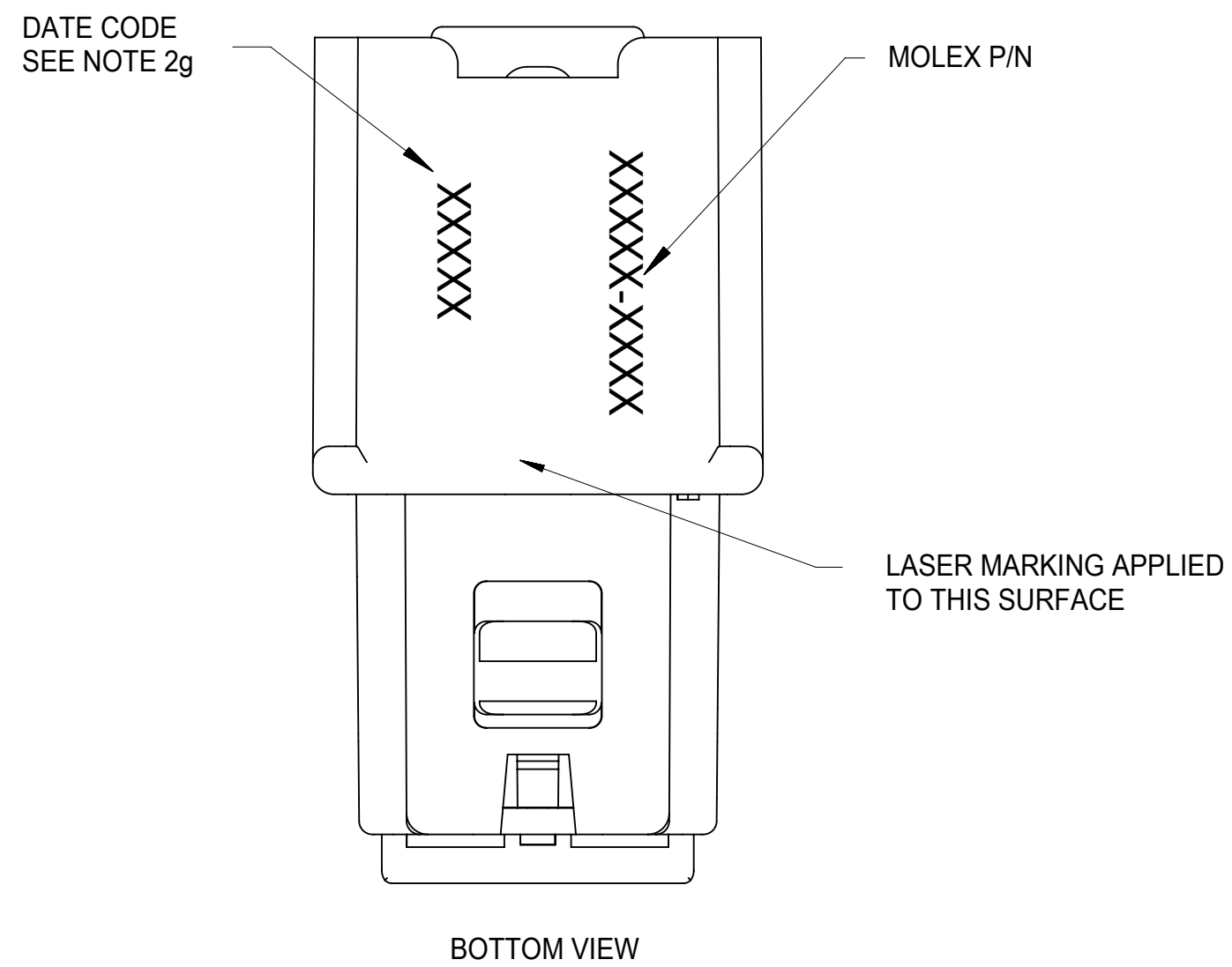
SYMBOLS	THIS DRAWING CONTAINS INFORMATION THAT IS PROPRIETARY TO MOLEX ELECTRONIC TECHNOLOGIES, LLC AND SHOULD NOT BE USED WITHOUT WRITTEN PERMISSION		CURRENT REV DESC:	
	DIMENSION UNITS	SCALE		
	mm	1:1	INITIAL REVISION: DRWN: RCARLSON 2004/03/01 APPR: PBERG 2004/09/30	PRODUCT CUSTOMER DRAWING DOCUMENT NUMBER: <b>SD-31402-211</b> DOC TYPE: PSD DOC PART: 001 REVISION: U4
	GENERAL TOLERANCES (UNLESS SPECIFIED)			
	ANGULAR TOL	± 3.0°	THIRD ANGLE PROJECTION 	MATERIAL NUMBER: 31402 CUSTOMER: GENERAL MARKET SHEET NUMBER: 1 OF 8
	4 PLACES	±		
	3 PLACES	±		
	2 PLACES	± 0.13		
	1 PLACE	± 0.3		
	0 PLACES	±		



**SECTION A-A**  
TPA SHOWN IN AS-SHIPPED  
PRE-LOCKED POSITION  
SEE NOTE 1c

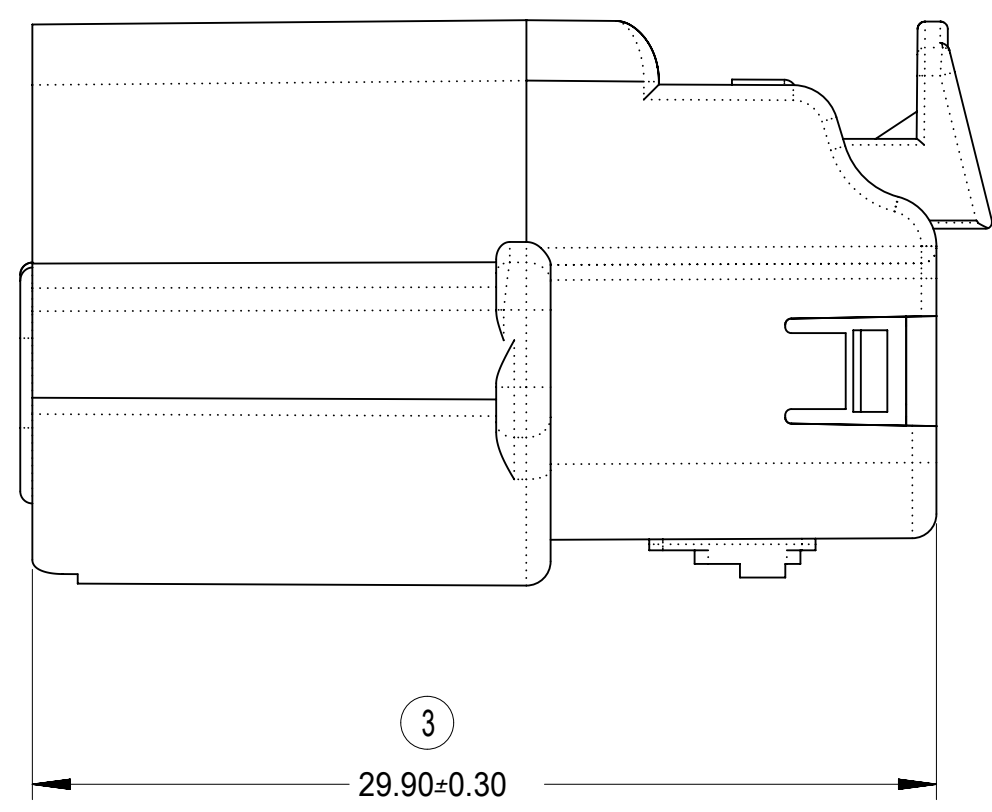
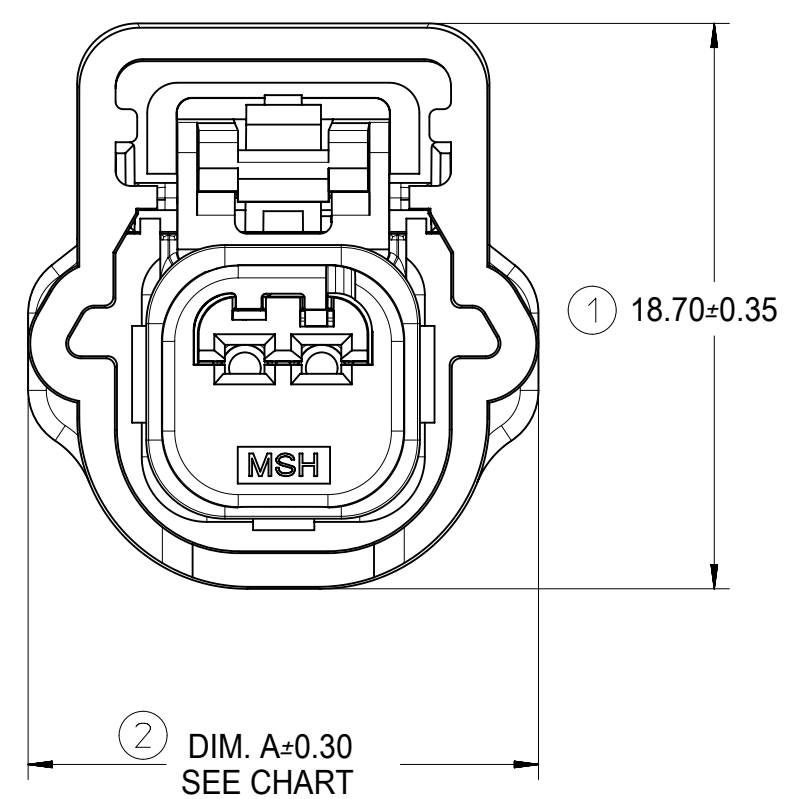
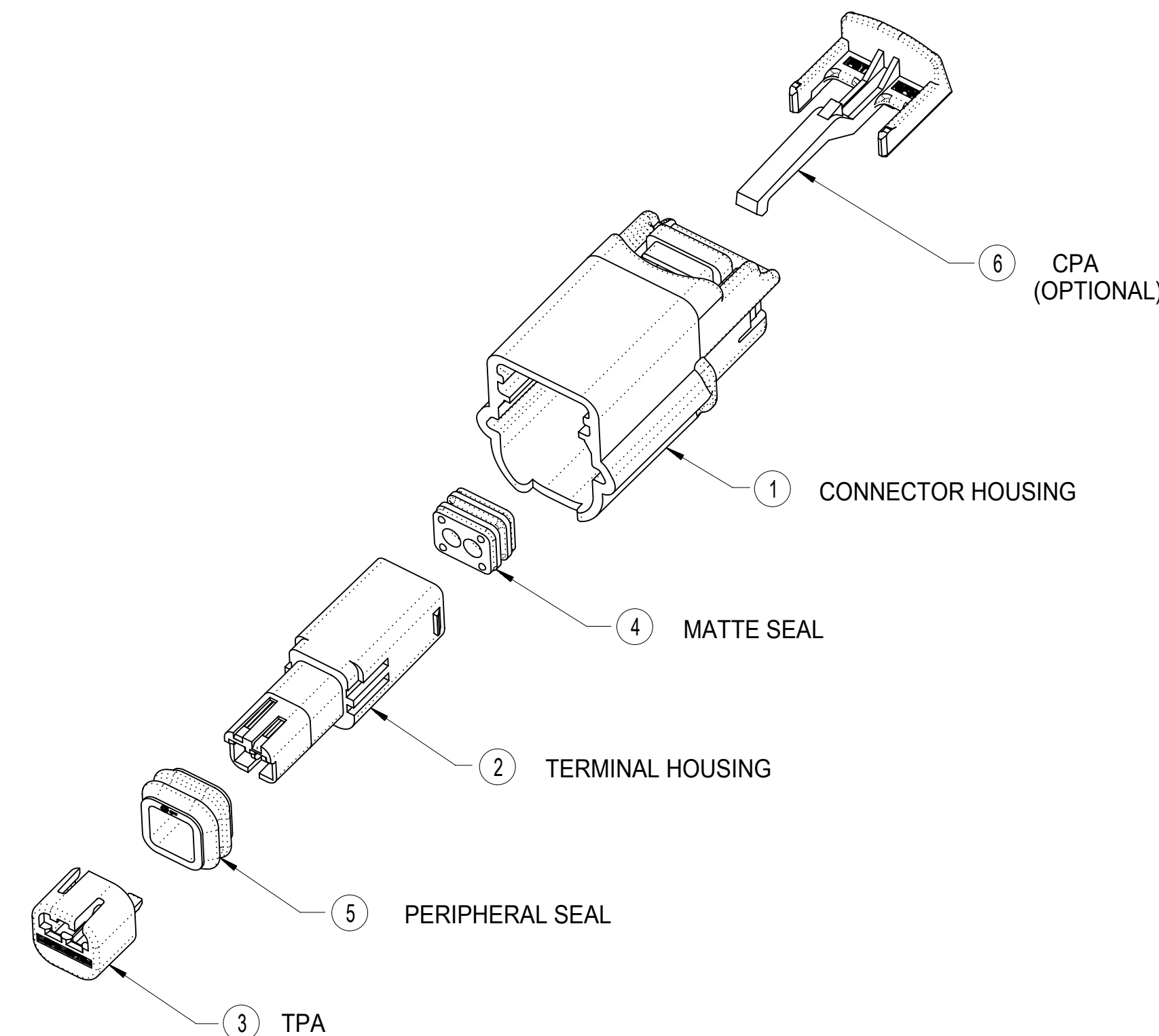


**SECTION A-A**  
TPA SHOWN IN FINAL  
LOCKED POSITION

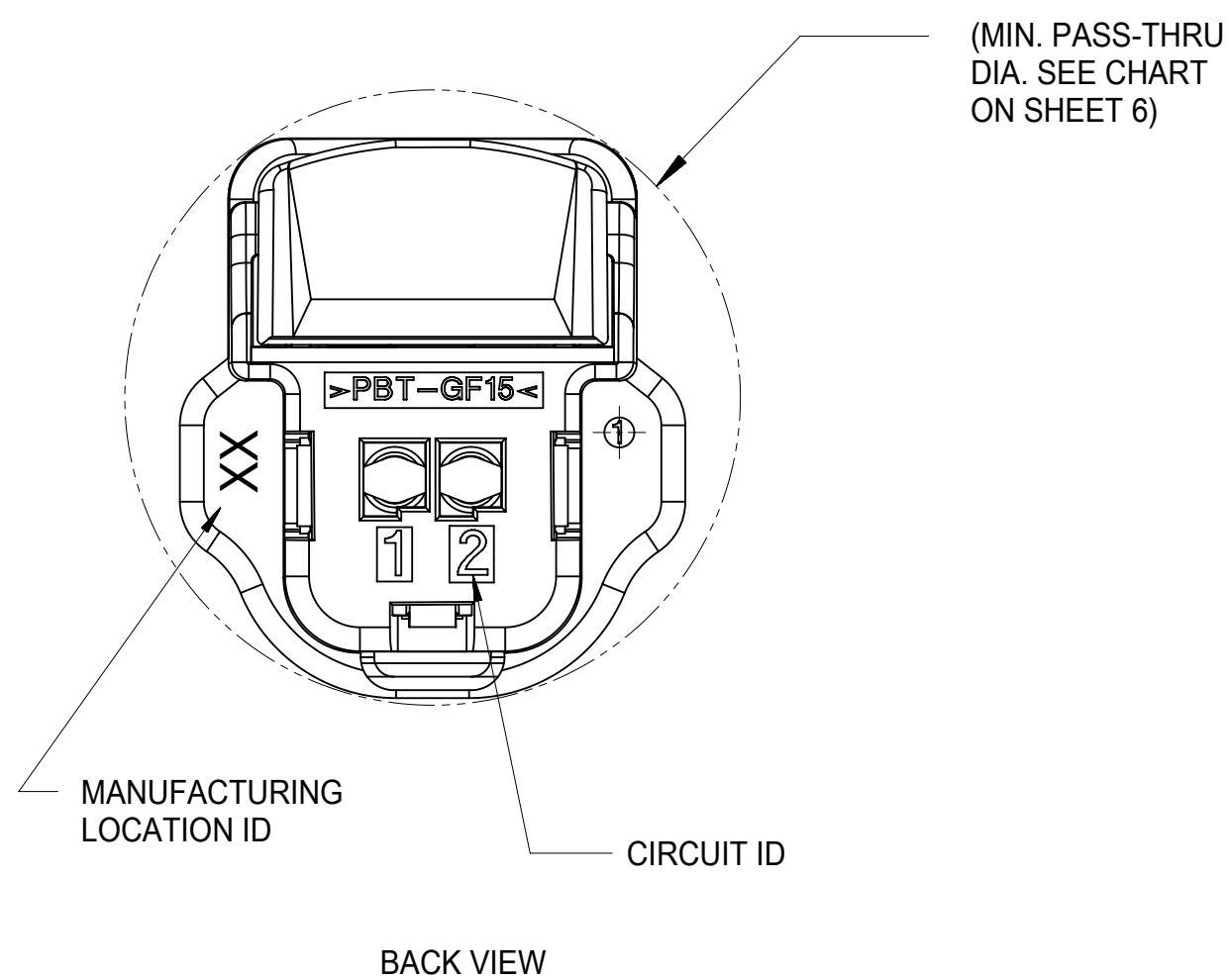


BOTTOM VIEW

# CONNECTOR ASSEMBLY WITHOUT CLIPSLOT



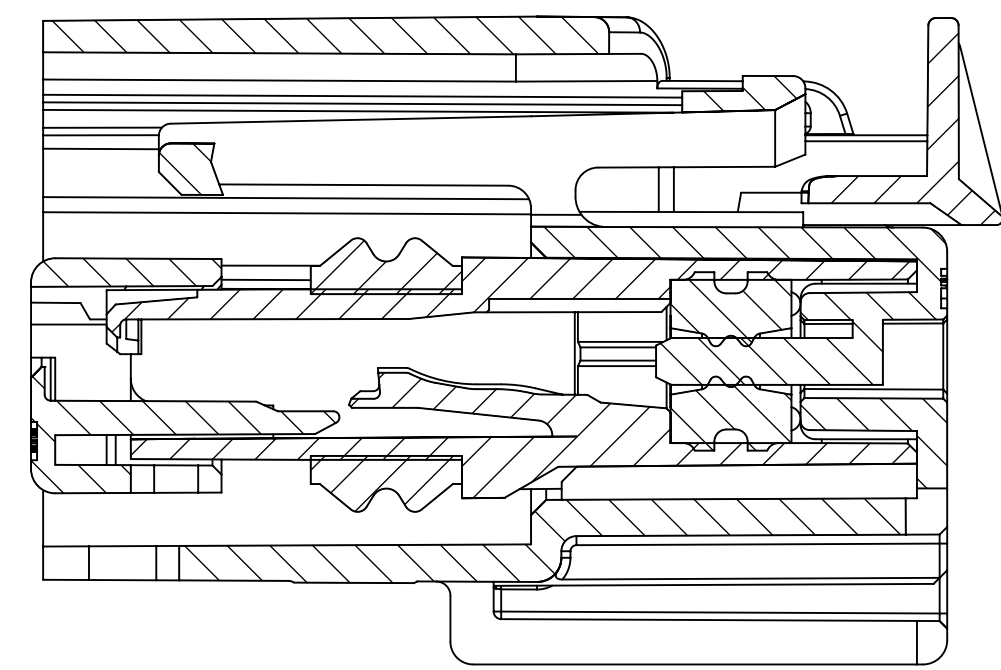
RIGHT SIDE VIEW



BACK VIEW

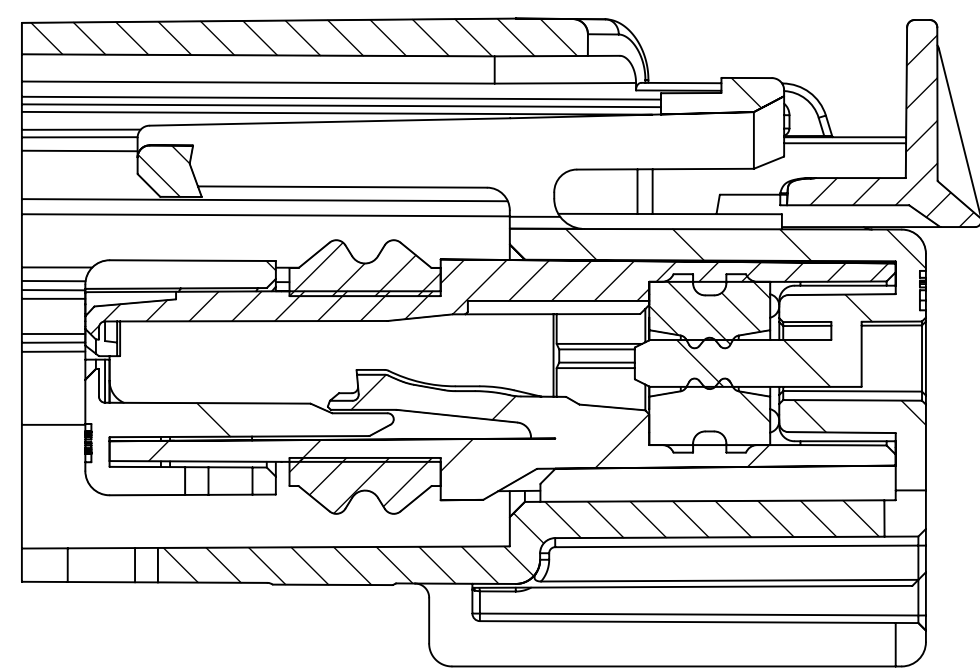
ITEM	DESCRIPTION	COLOR	MATERIAL
1	CONNECTOR HOUSING	SEE CHART	PBT GF15
2	TERMINAL HOUSING	BLACK	SPS/PA66 GF30
3	TPA	NATURAL	SPS/PA66 GF20
4	MATTE SEAL	SEE CHART	SILICONE RUBBER
5	PERIPHERAL SEAL	SEE CHART	SILICONE RUBBER
6	CPA - OPTIONAL	RED	PBT GF30

SYMBOLS		THIS DRAWING CONTAINS INFORMATION THAT IS PROPRIETARY TO MOLEX ELECTRONIC TECHNOLOGIES, LLC AND SHOULD NOT BE USED WITHOUT WRITTEN PERMISSION		CURRENT REV DESC:		molex	
▽ = 0	DIMENSION UNITS	mm	SCALE	1:1	EC NO: 629240		0.64 USCAR CONNECTOR SEALED SINGLE ROW ASSEMBLY
▽ = 0	GENERAL TOLERANCES (UNLESS SPECIFIED)			DRWN: PZHANG71 2019/12/16		PRODUCT CUSTOMER DRAWING	
▽ = 0	ANGULAR TOL	±	3.0°	CHK'D: CDZHANG 2019/12/31			DOCUMENT NUMBER
▽ = 0	4 PLACES	±		APPR: JDENG02 2020/01/02		SD-31402-211	
▽ = 0	3 PLACES	±		INITIAL REVISION:			DOC TYPE
▽ = 0	2 PLACES	±	0.13	DRWN: RCARLSON 2004/03/01		DOC PART	
▽ = 0	1 PLACE	±	0.3	APPR: PBERG 2004/09/30			REVISION
▽ = 0	0 PLACES	±		THIRD ANGLE PROJECTION		U4	
▽ = 0	DRAFT WHERE APPLICABLE MUST REMAIN WITHIN DIMENSIONS			DRAWING	SERIES		MATERIAL NUMBER
▽ = 0				D-SIZE	31402	CUSTOMER	
				GENERAL MARKET		SHEET NUMBER	
						2 OF 8	



**SECTION C-C**

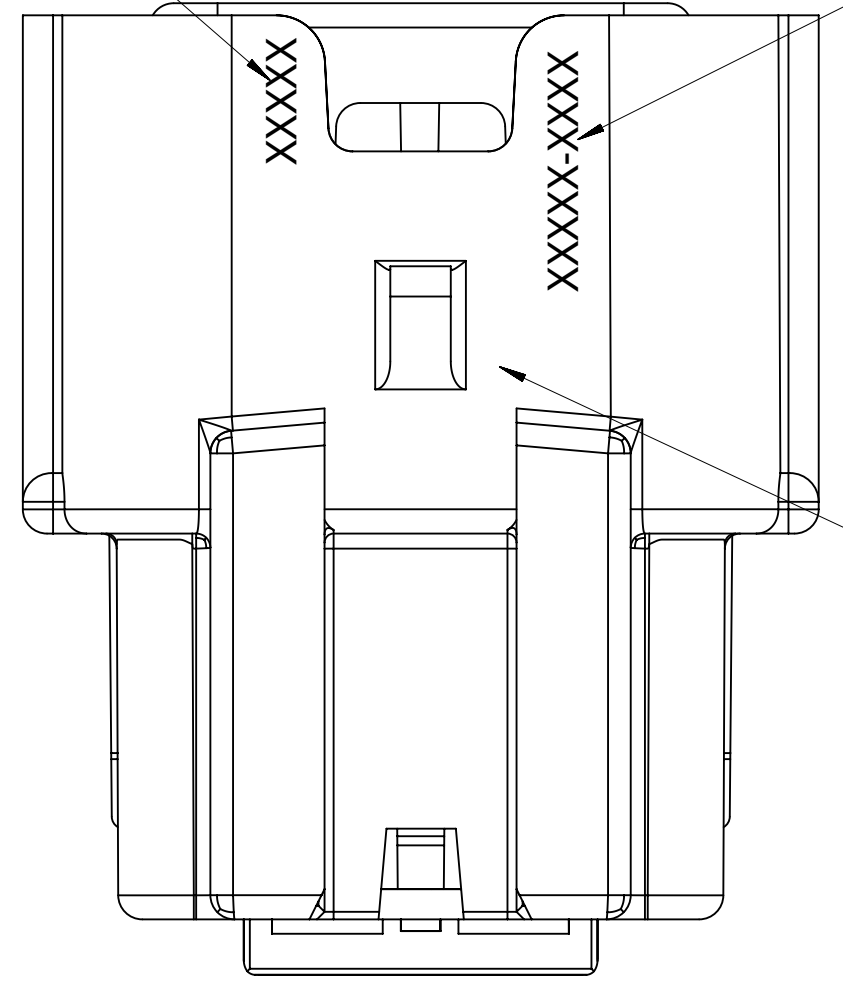
TPA SHOWN IN AS-SHIPPED  
PRE-LOCKED POSITION  
SEE NOTE 1c



**SECTION C-C**

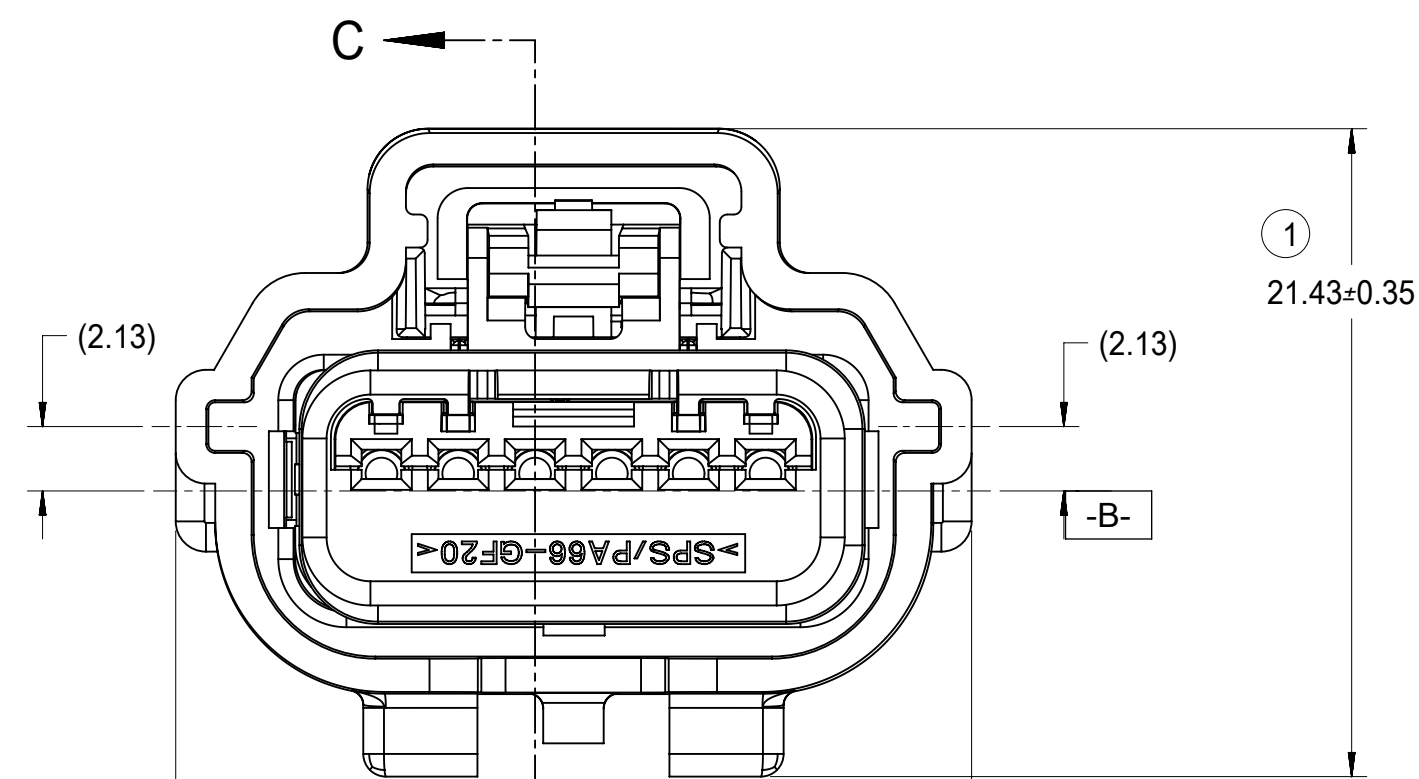
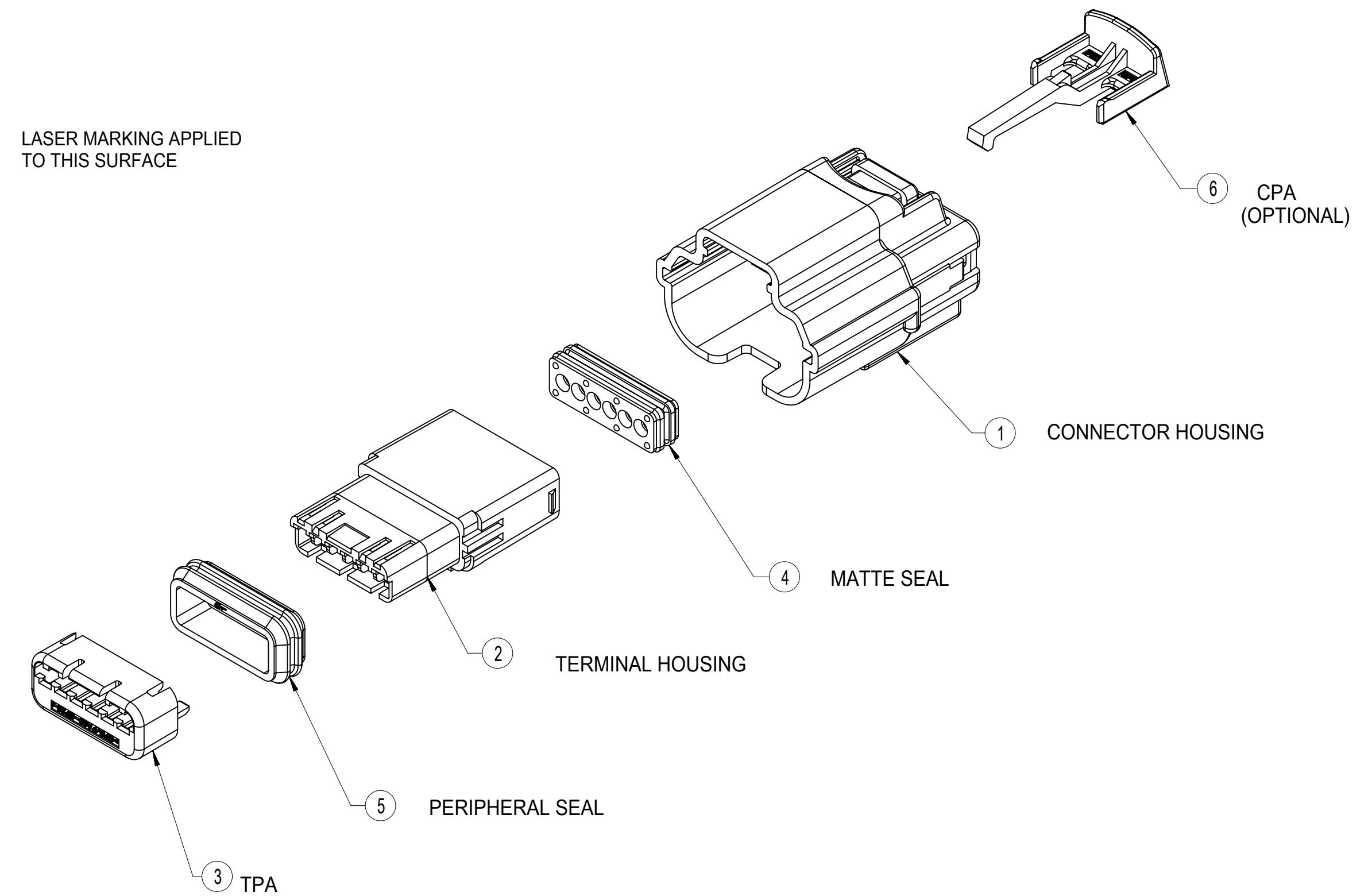
TPA SHOWN IN FINAL  
LOCKED POSITION

DATE CODE  
SEE NOTE 2g



BOTTOM VIEW

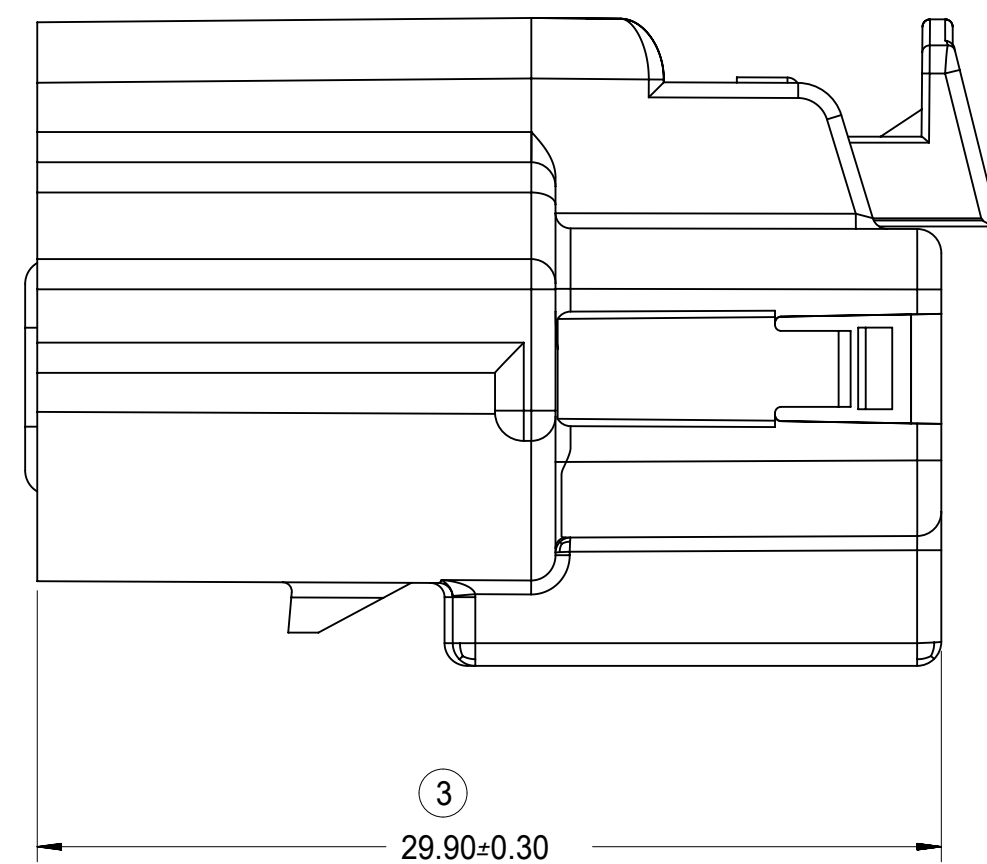
# CONNECTOR ASSEMBLY WITH CLIPSLOT



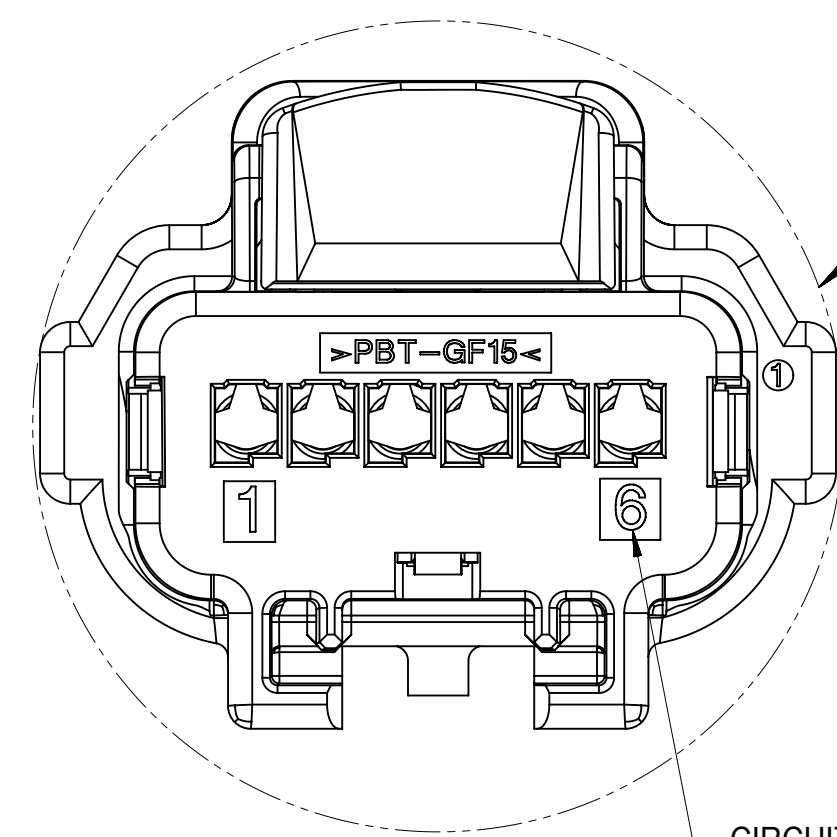
DIM A=0.30  
SEE CHART

FRONT VIEW

POLARIZATION A



RIGHT SIDE VIEW

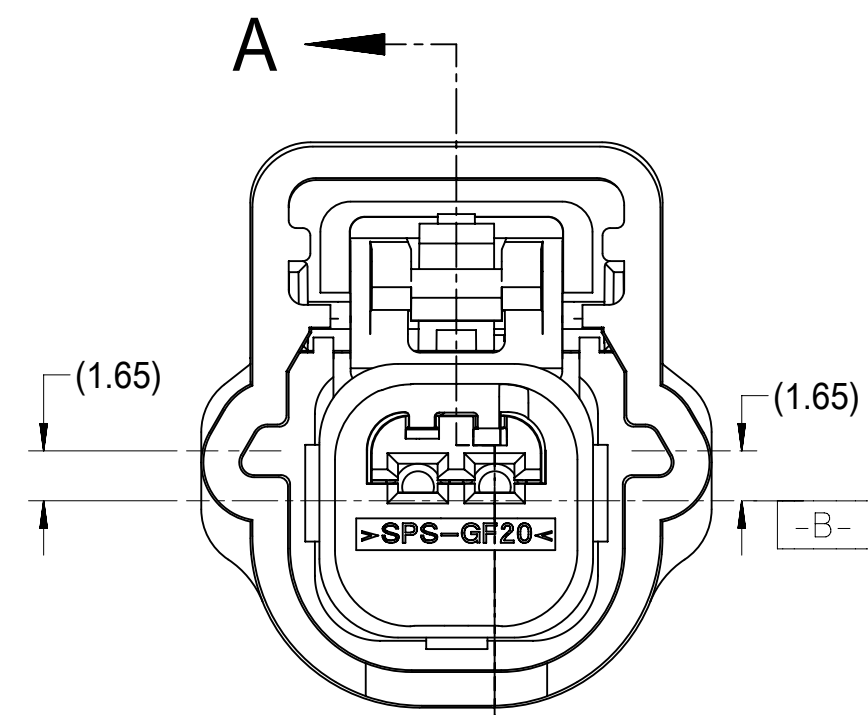


BACK VIEW

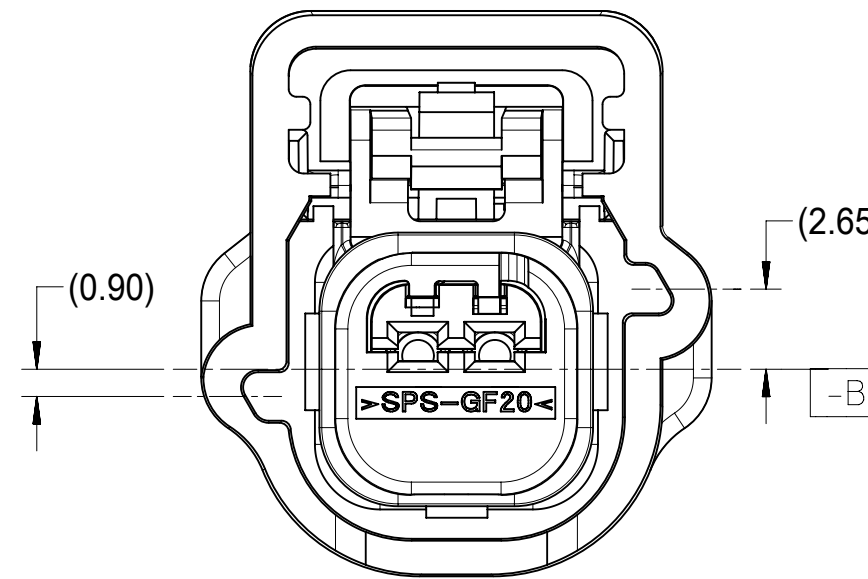
ITEM	DESCRIPTION	COLOR	MATERIAL
1	CONNECTOR HOUSING	SEE CHART	PBT GF15
2	TERMINAL HOUSING	BLACK	SPS/PA66 GF30
3	TPA	NATURAL	SPS/PA66 GF20
4	MATTE SEAL	SEE CHART	SILICONE RUBBER
5	PERIPHERAL SEAL	SEE CHART	SILICONE RUBBER
6	CPA - OPTIONAL	RED	PBT GF30

SYMBOLS		THIS DRAWING CONTAINS INFORMATION THAT IS PROPRIETARY TO MOLEX ELECTRONIC TECHNOLOGIES, LLC AND SHOULD NOT BE USED WITHOUT WRITTEN PERMISSION		CURRENT REV DESC:		molex	
▽ = 0	DIMENSION UNITS	mm	SCALE	1:1	EC NO: 629240		0.64 USCAR CONNECTOR SEALED SINGLE ROW ASSEMBLY
▽ = 0	GENERAL TOLERANCES (UNLESS SPECIFIED)				DRWN: PZHANG71	2019/12/16	
▽ = 0	ANGULAR TOL	±	3.0°		CHK'D: CDZHANG	2019/12/31	PRODUCT CUSTOMER DRAWING
▽ = 0	4 PLACES	±			APPR: JDENG02	2020/01/02	
▽ = 0	3 PLACES	±			INITIAL REVISION:		DOCUMENT NUMBER
▽ = 0	2 PLACES	±	0.13		DRWN: RCARLSON	2004/03/01	
▽ = 0	1 PLACE	±	0.3		APPR: PBERG	2004/09/30	DOC TYPE
▽ = 0	0 PLACES	±			THIRD ANGLE PROJECTION		DOC PART
▽ = 0	DRAFT WHERE APPLICABLE MUST REMAIN WITHIN DIMENSIONS				DRAWING	SERIES	REVISION
▽ = 0					D-SIZE	31402	U4
							MATERIAL NUMBER
							CUSTOMER
							SHEET NUMBER
							GENERAL MARKET
							3 OF 8

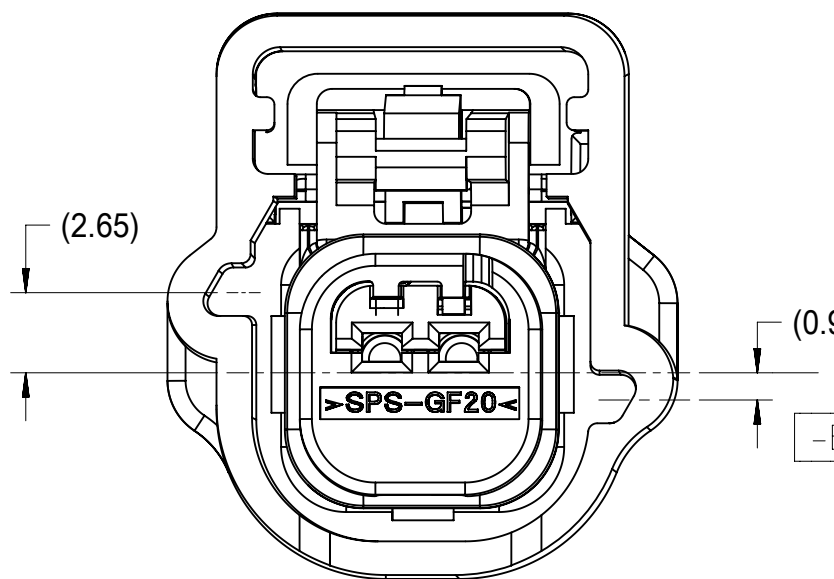
1X2



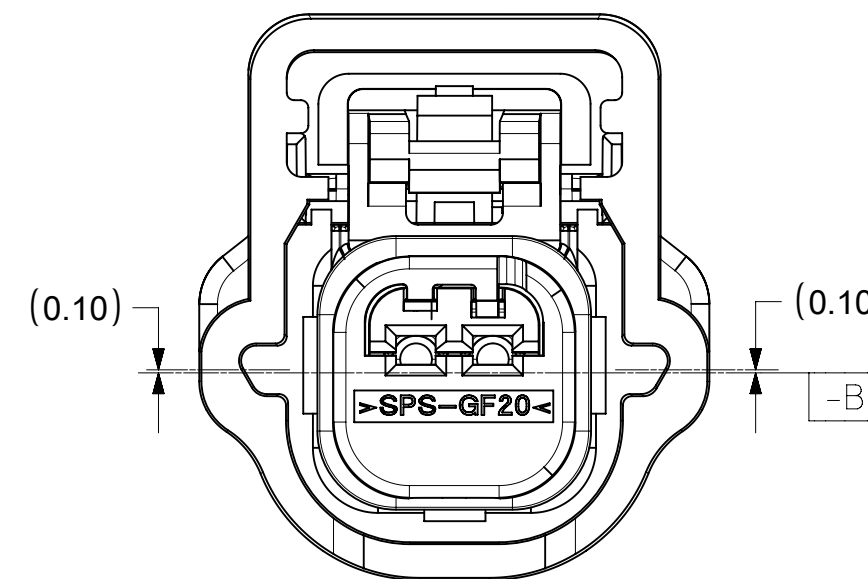
A  
FRONT VIEW  
POLARIZATION A



POLARIZATION B

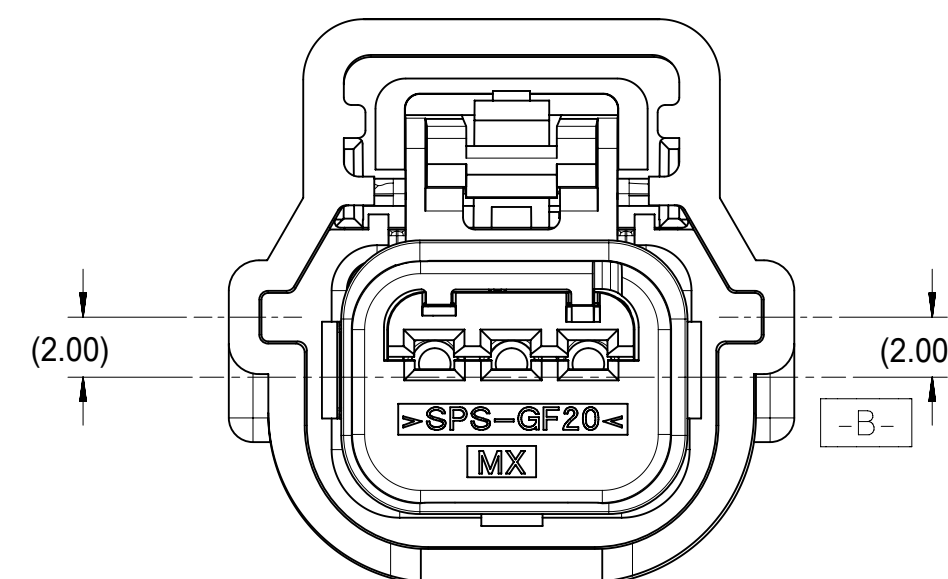


POLARIZATION C

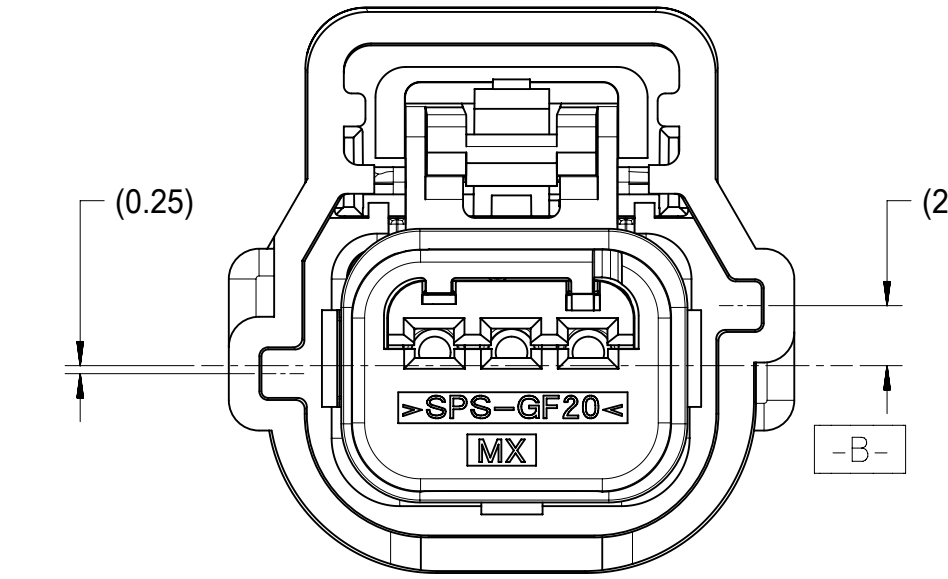


POLARIZATION D

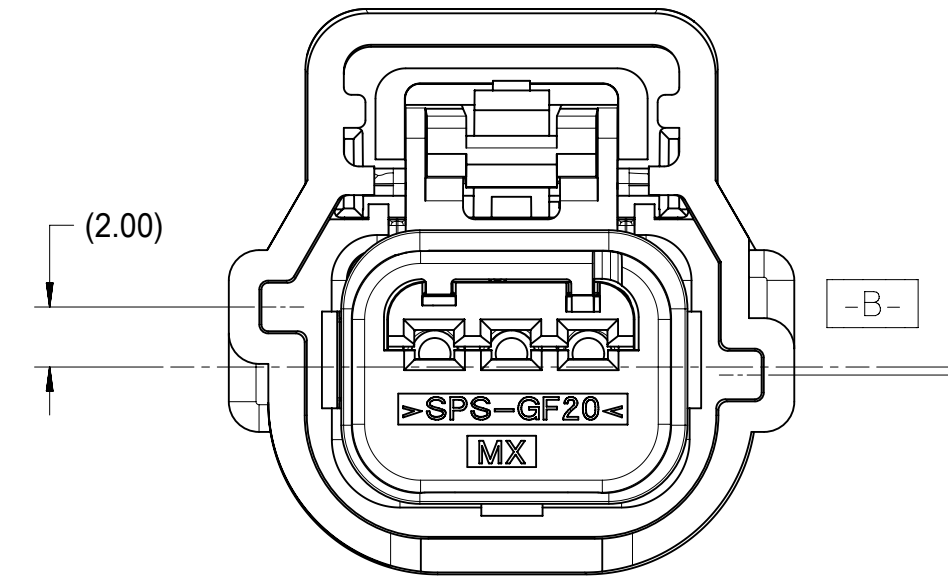
1X3



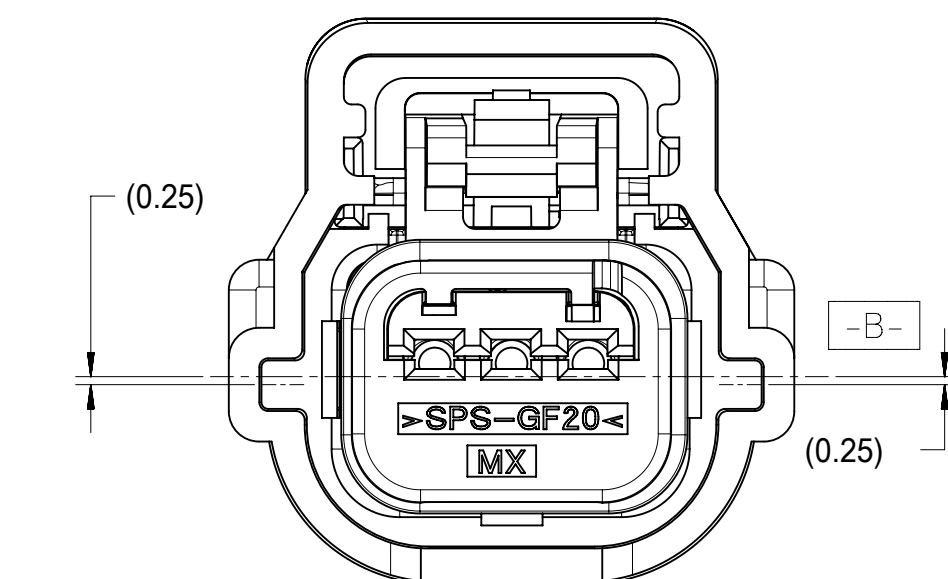
POLARIZATION A



POLARIZATION B

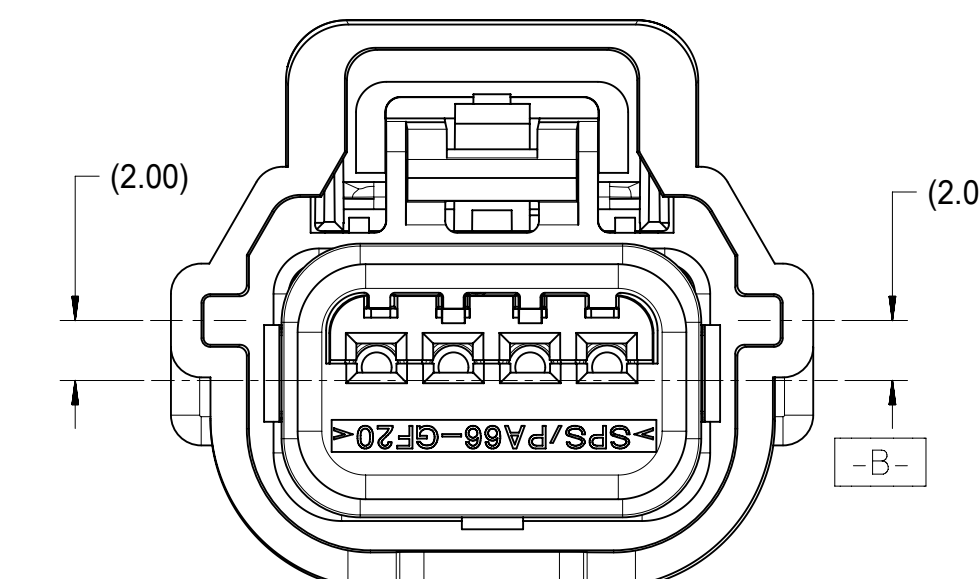


POLARIZATION C



POLARIZATION D

1X4



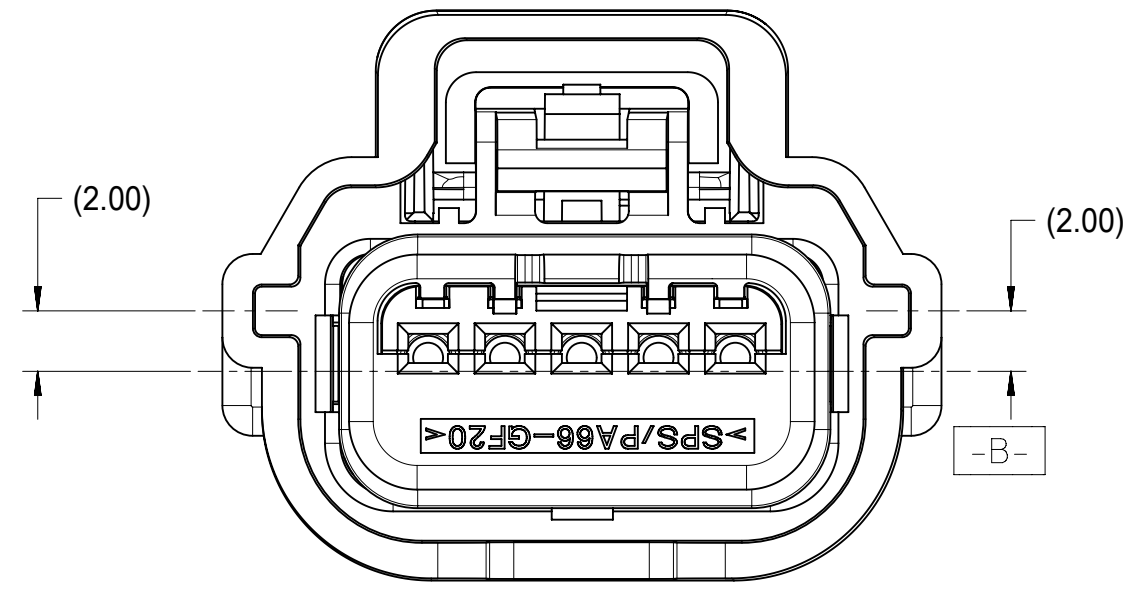
POLARIZATION A

# KEY CONFIGURATIONS

SYMBOLS	THIS DRAWING CONTAINS INFORMATION THAT IS PROPRIETARY TO MOLEX ELECTRONIC TECHNOLOGIES, LLC AND SHOULD NOT BE USED WITHOUT WRITTEN PERMISSION		CURRENT REV DESC:										
	DIMENSION UNITS	SCALE											
▽ = 0	mm	1:1			<b>0.64 USCAR CONNECTOR SEALED SINGLE ROW ASSEMBLY</b>								
▽ = 0	GENERAL TOLERANCES (UNLESS SPECIFIED)												
▽ = 0	ANGULAR TOL ± 3.0°		EC NO: 629240		<b>PRODUCT CUSTOMER DRAWING</b>								
▽ = 0	4 PLACES ±		DRWN: PZHANG71 2019/12/16										
▽ = 0	3 PLACES ±		CHK'D: CDZHANG 2019/12/31		<table border="1"> <tr> <td>DOCUMENT NUMBER</td> <td>DOC TYPE</td> <td>DOC PART</td> <td>REVISION</td> </tr> <tr> <td><b>SD-31402-211</b></td> <td>PSD</td> <td>001</td> <td><b>U4</b></td> </tr> </table>	DOCUMENT NUMBER	DOC TYPE	DOC PART	REVISION	<b>SD-31402-211</b>	PSD	001	<b>U4</b>
DOCUMENT NUMBER	DOC TYPE	DOC PART	REVISION										
<b>SD-31402-211</b>	PSD	001	<b>U4</b>										
▽ = 0	2 PLACES ± 0.13		APPR: JDENG02 2020/01/02										
▽ = 0	1 PLACE ± 0.3		INITIAL REVISION:										
▽ = 0	0 PLACES ±		DRWN: RCARLSON 2004/03/01										
▽ = 0	DRAFT WHERE APPLICABLE MUST REMAIN WITHIN DIMENSIONS		APPR: PBERG 2004/09/30										
▽ = 0	THIRD ANGLE PROJECTION	DRAWING	SERIES	MATERIAL NUMBER	CUSTOMER								
		<b>D-SIZE</b>	<b>31402</b>		<b>GENERAL MARKET</b>								
					<b>4 OF 8</b>								

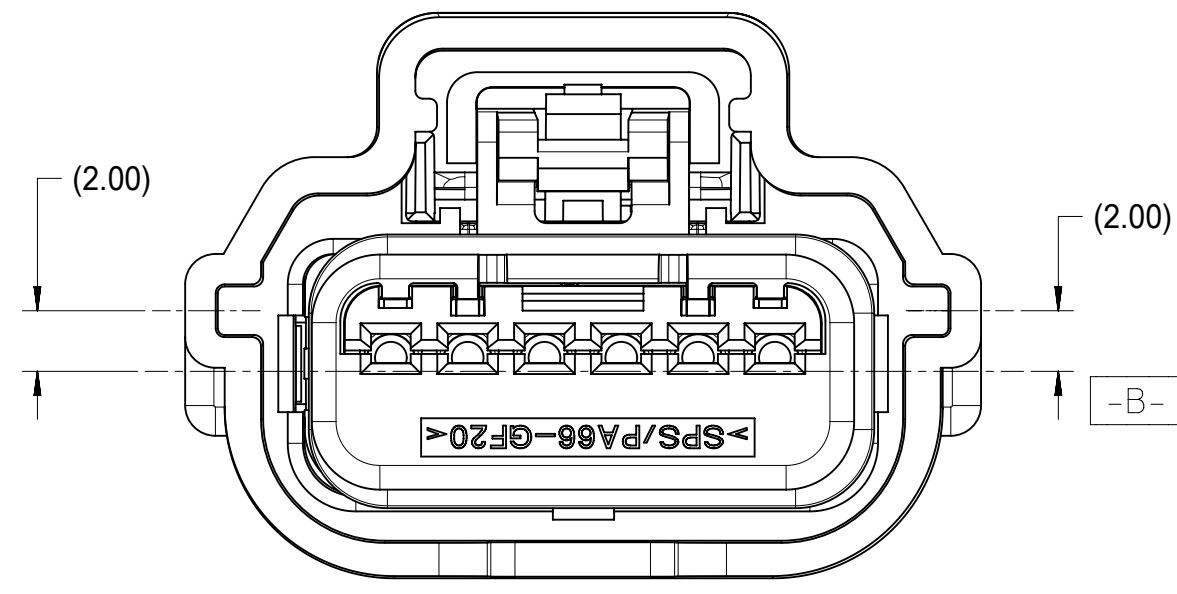


1X5

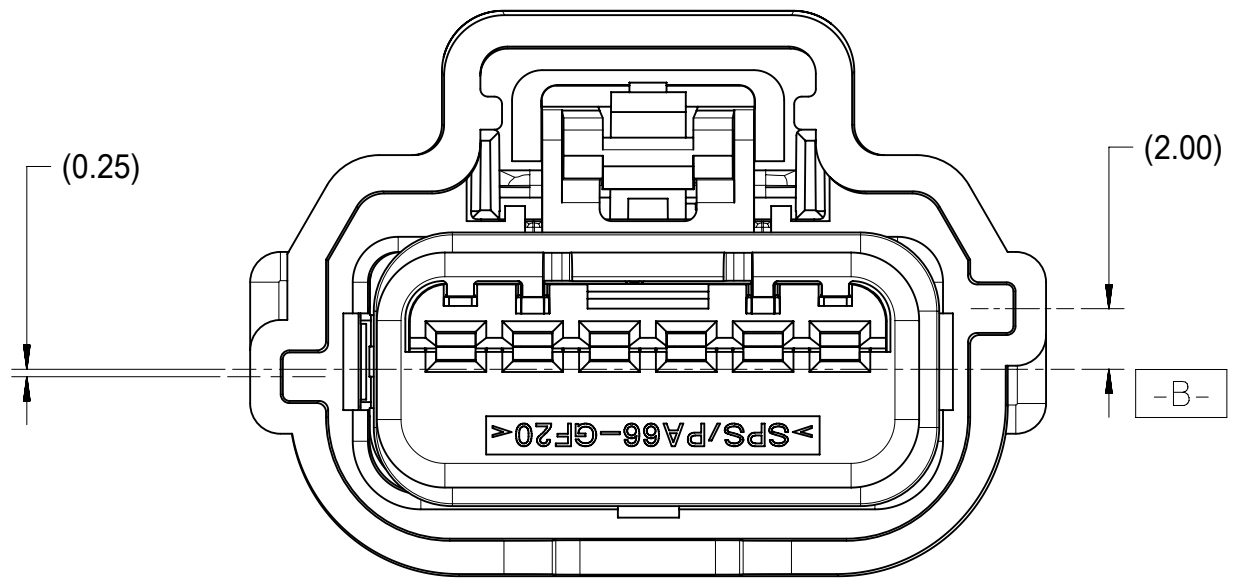


POLARIZATION A

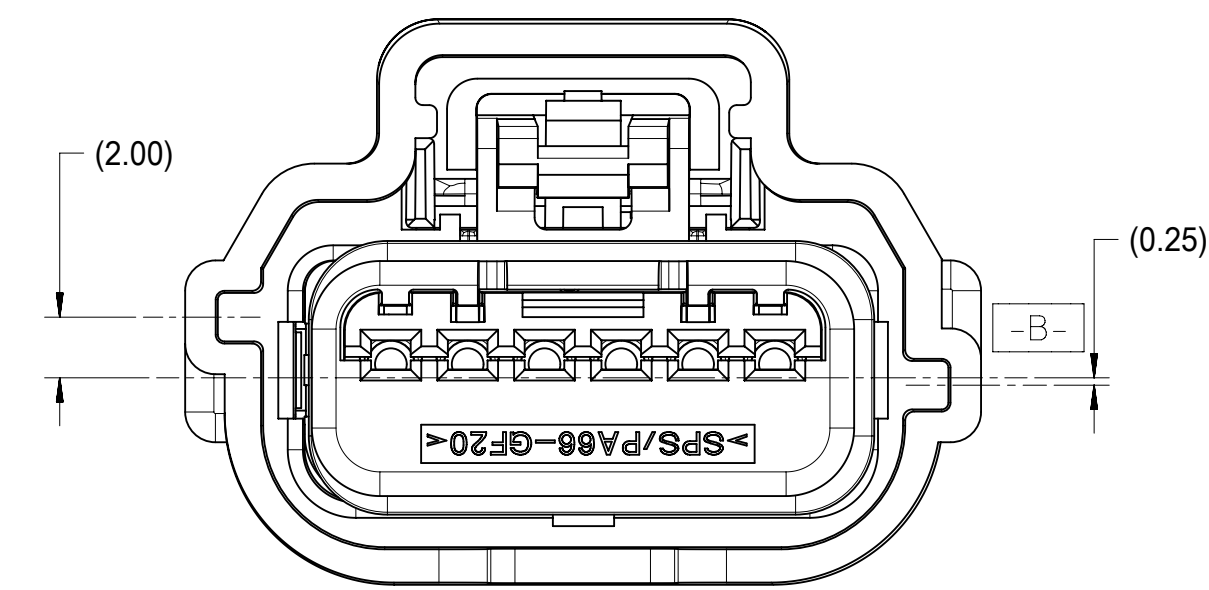
1X6



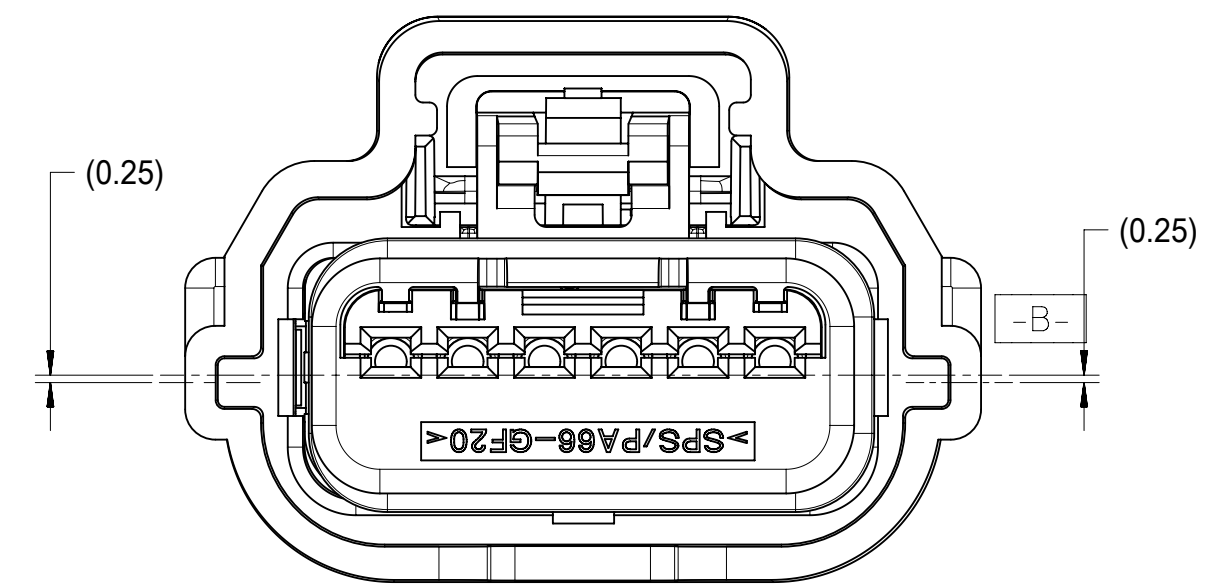
POLARIZATION A



POLARIZATION B

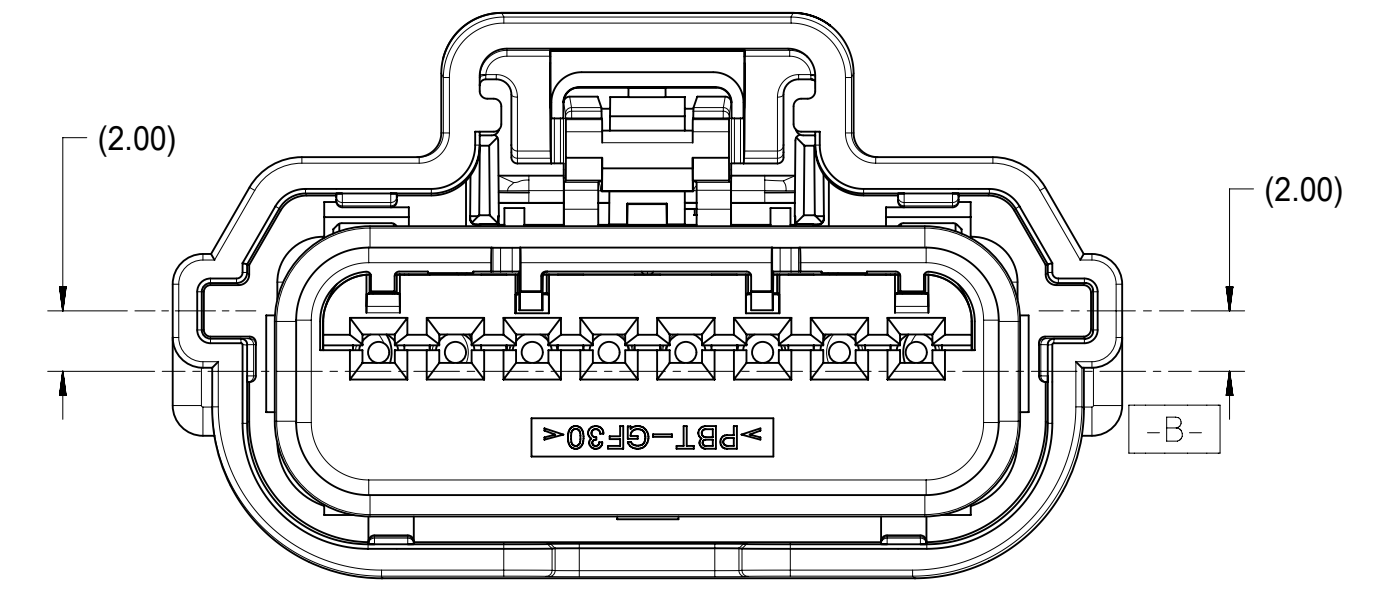


POLARIZATION C

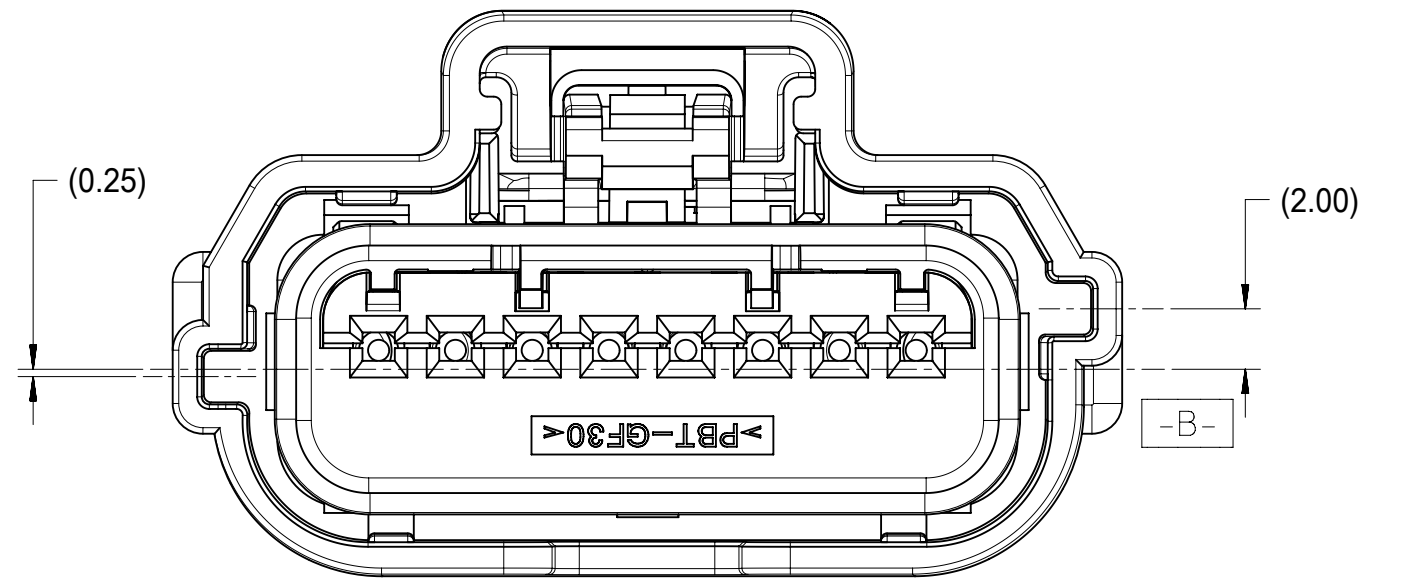


POLARIZATION D

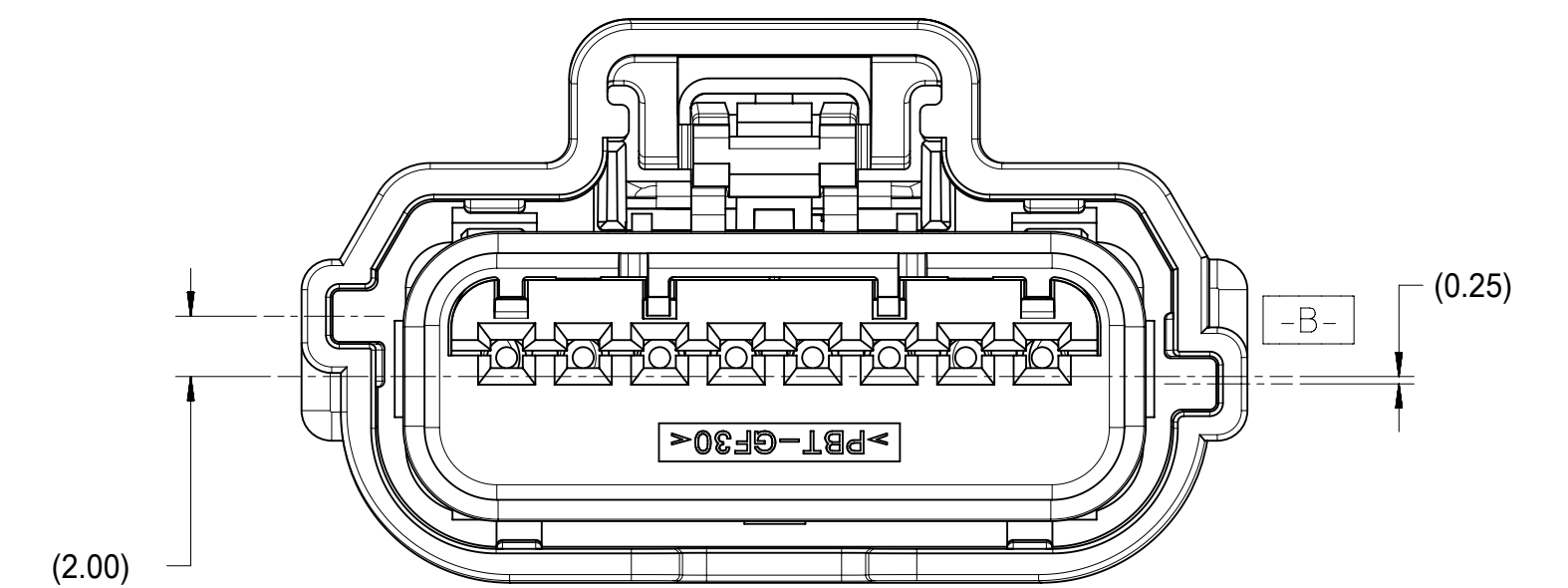
1X8



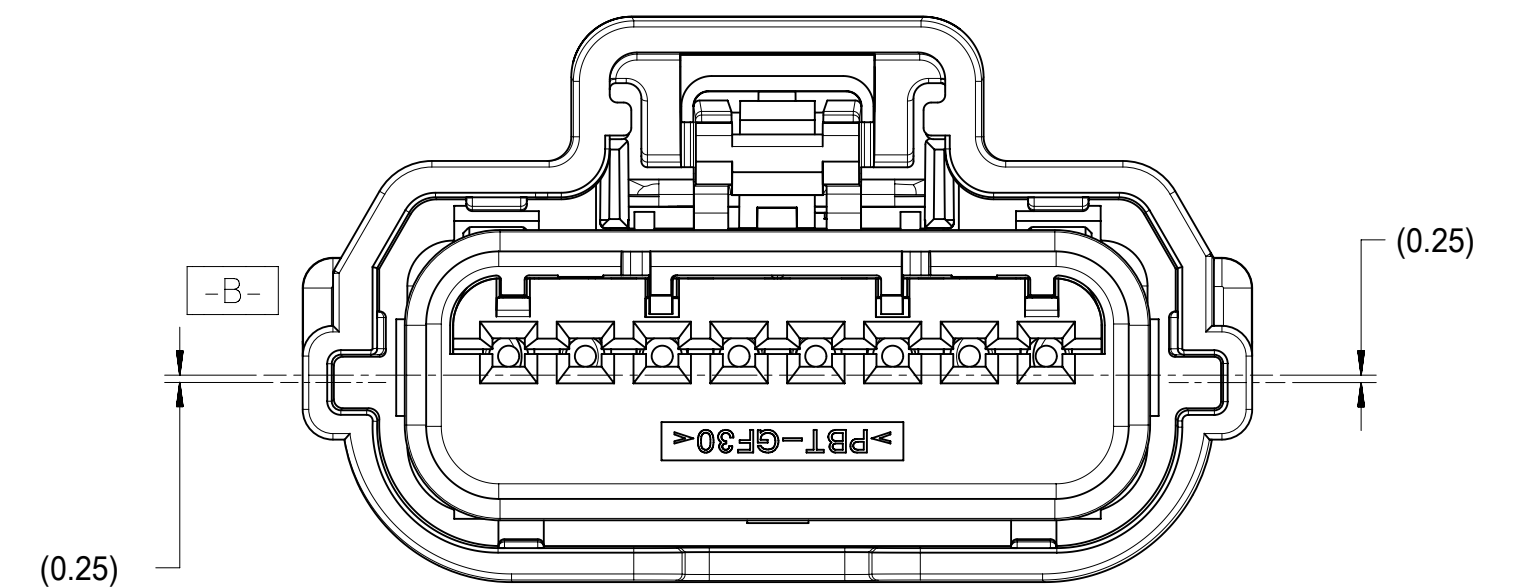
POLARIZATION A



POLARIZATION B



POLARIZATION C



POLARIZATION D

# KEY CONFIGURATIONS

<b>SYMBOLS</b> = 0 	THIS DRAWING CONTAINS INFORMATION THAT IS PROPRIETARY TO MOLEX ELECTRONIC TECHNOLOGIES, LLC AND SHOULD NOT BE USED WITHOUT WRITTEN PERMISSION DIMENSION UNITS: <b>mm</b> SCALE: <b>1:1</b>		<b>CURRENT REV DESC:</b> EC NO: 629240 DRWN: PZHANG71 2019/12/16 CHK'D: CDZHANG 2019/12/31 APPR: JDENG02 2020/01/02 INITIAL REVISION: DRWN: RCARLSON 2004/03/01 APPR: PBERG 2004/09/30		 <b>0.64 USCAR CONNECTOR SEALED SINGLE ROW ASSEMBLY</b> PRODUCT CUSTOMER DRAWING		
	GENERAL TOLERANCES (UNLESS SPECIFIED) ANGULAR TOL ± 3.0° 4 PLACES ± 3 PLACES ± 2 PLACES ± 0.13 1 PLACE ± 0.3 0 PLACES ±		DRAFT WHERE APPLICABLE MUST REMAIN WITHIN DIMENSIONS THIRD ANGLE PROJECTION 				

PART NUMBER WITHOUT CPA	PART NUMBER WITH CPA	CLIPSLOT OPTION	ROW/ CIRCUITS	KEY*	MATTE SEAL COLOR	PERIMETER SEAL COLOR	CONNECTOR COLOR	WIDTH DIM (A)	MIN. PASS THRU DIA.	FEMALE TERMINAL SUPPLIER	USCAR FOOTPRINT DRAWING NO.	STATUS								
31402-2100	31402-2110	NO	1 X 2	A	ROYAL BLUE	BLUE	BLACK	16.88	(20.80)	TYCO OR MOLEX GET 0.64	064-S-002-1-Z02	SALEABLE								
31402-2200	31402-2210			B								SALEABLE								
31402-2500	31402-2510			B								SALEABLE								
31402-2600	31402-2610			C								SALEABLE								
31402-2700	31402-2710			D								SALEABLE								
31403-2000	31403-2010			D								SALEABLE								
31403-2100	31403-2110			A								SALEABLE								
31403-2200	31403-2210			B								SALEABLE								
31403-2500	31403-2510			B						SALEABLE										
31403-2600	31403-2610			C						SALEABLE										
31403-2700	31403-2710			D						SALEABLE										
31403-2800	31403-2810			C						SALEABLE										
31403-2900	31403-2910			D						SALEABLE										
31404-2100	31404-2110			A						NOT TOOLED										
31404-2200	31404-2210			B						NOT TOOLED										
31404-2300	31404-2310			C						NOT TOOLED										
31404-2400	31404-2410			D						NOT TOOLED										
31404-2500	31404-2510			B						NOT TOOLED										
31404-2600	31404-2610			C						NOT TOOLED										
31404-2700	31404-2710			D						NOT TOOLED										
31402-3100	31402-3110			NO						1 X 3		A	LIGHT BLUE	RUST RED	BLACK	18.70	(22.00)	TYCO OR MOLEX GET 0.64	064-S-003-1-Z01	SALEABLE
31402-3200	31402-3210											B								SALEABLE
31402-3500	31402-3510											B								SALEABLE
31402-3600	31402-3610											C								SALEABLE
31402-3700	31402-3710											D								SALEABLE
31403-3000	31403-3010											D								SALEABLE
31403-3100	31403-3110											A								SALEABLE
31403-3200	31403-3210											B								SALEABLE
31403-3500	31403-3510	B	SALEABLE																	
31403-3600	31403-3610	C	SALEABLE																	
31403-3700	31403-3710	D	SALEABLE																	
31403-3800	31403-3810	C	SALEABLE																	
31404-3100	31404-3110	A	SALEABLE																	
31404-3200	31404-3210	B	SALEABLE																	
31404-3500	31404-3510	B	SALEABLE																	
31404-3600	31404-3610	C	SALEABLE																	
31404-3700	31404-3710	D	SALEABLE																	
31402-4100	31402-4110	NO	1 X 4		A	TBD	TBD	BLACK	21.25		(22.34)	TYCO OR MOLEX GET 0.64						064-S-004-1-Z02		NOT TOOLED
31402-4200	31402-4210				B															NOT TOOLED
31402-4300	31402-4310				C															NOT TOOLED
31402-4400	31402-4410				D															NOT TOOLED
31402-4500	31402-4510				B															NOT TOOLED
31402-4600	31402-4610				C															NOT TOOLED
31402-4700	31402-4710				D															NOT TOOLED
31403-4100	31403-4110				A															NOT TOOLED
31403-4200	31403-4210				B							NOT TOOLED								
31403-4300	31403-4310				C							NOT TOOLED								
31403-4400	31403-4410				D							NOT TOOLED								
31403-4500	31403-4510			B	NOT TOOLED															
31403-4600	31403-4610			C	NOT TOOLED															
31403-4700	31403-4710			D	NOT TOOLED															
31404-4100	31404-4110			A	NOT TOOLED															
31404-4200	31404-4210			B	NOT TOOLED															
31404-4300	31404-4310			C	NOT TOOLED															
31404-4400	31404-4410			D	NOT TOOLED															
31404-4500	31404-4510			B	NOT TOOLED															
31404-4600	31404-4610			C	NOT TOOLED															
31404-4700	31404-4710			D	NOT TOOLED															

<b>SYMBOLS</b> = 0 = 0 = 0 = 0 = 0 = 0 = 0 = 0 = 0	THIS DRAWING CONTAINS INFORMATION THAT IS PROPRIETARY TO MOLEX ELECTRONIC TECHNOLOGIES, LLC AND SHOULD NOT BE USED WITHOUT WRITTEN PERMISSION		CURRENT REV DESC:		  <b>0.64 USCAR CONNECTOR SEALED SINGLE ROW ASSEMBLY</b>  <b>PRODUCT CUSTOMER DRAWING</b>	
	DIMENSION UNITS	SCALE	EC NO: 629240			
	mm	1:1	DRWN: PZHANG71 2019/12/16			
	GENERAL TOLERANCES (UNLESS SPECIFIED)		CHK'D: CDZHANG 2019/12/31			
	ANGULAR TOL ± 3.0°		APPR: JDENG02 2020/01/02			
	4 PLACES ±		INITIAL REVISION:			
	3 PLACES ±		DRWN: RCARLSON 2004/03/01			
	2 PLACES ± 0.13		2004/09/30			
	1 PLACE ± 0.3		APPR: PBERG			
	0 PLACES ±		DRAFT WHERE APPLICABLE MUST REMAIN WITHIN DIMENSIONS			
THIRD ANGLE PROJECTION		DRAWING	SERIES	MATERIAL NUMBER	CUSTOMER	SHEET NUMBER
		D-SIZE	31402		GENERAL MARKET	6 OF 8



ADDITIONAL CAVITY PLUG CONFIGURATIONS:

ROW/ CIRCUITS	FEMALE TERMINAL	MOLEX P/N WITH CPA	MOLEX P/N WITHOUT CPA	KEY OPTION	CLIPSLOT OPTION	COLOR	CIRCUIT NUMBER: "0" INDICATED PLUG LOCATION						TOTAL CIRCUITS PLUGGED	STATUS
							1	2	3	4	5	6		
1X6	TYCO/MOLEX GET	31402-6110	31402-6100	A	NO	BLACK							0	SALEABLE
		31402-6111	31402-6101	A	NO	BLACK	0	0	0	0	0	0	6	SALEABLE
		31402-6112	31402-6102	A	NO	BLACK	0	0					2	SALEABLE
		31402-6113	31402-6103	A	NO	BLACK		0					1	SALEABLE
		31402-6114	31402-6104	A	NO	BLACK	0	0	0	0			4	SALEABLE
		31402-6115	31402-6105	A	NO	BLACK			0		0	0	3	SALEABLE
		31402-6118	31402-6108	A	NO	BLACK					0		1	SALEABLE
		31402-6119	31402-6109	A	NO	BLACK			0				1	SALEABLE
		31402-6131	31402-6121	A	NO	BLACK				0			1	SALEABLE
		31402-6150	31402-6140	A	YES	BLACK							0	SALEABLE
		31402-6211	31402-6201	B	NO	GRAY	0	0	0	0	0	0	6	SALEABLE
	31402-6511	31402-6501	B	NO	BLACK	0	0	0	0	0	0	6	SALEABLE	
	31402-6611	31402-6601	C	NO	BLACK	0	0	0	0	0	0	6	SALEABLE	
	31402-6711	31402-6701	D	NO	BLACK	0	0	0	0	0	0	6	SALEABLE	
	MOLEX 0.64	31403-6110	31403-6100	A	NO	BLACK							0	SALEABLE
		31403-6111	31403-6101	A	NO	BLACK	0	0	0	0	0	0	6	SALEABLE
		31403-6112	31403-6102	A	NO	BLACK			0				1	SALEABLE
		31403-6113	31403-6103	A	NO	BLACK	0	0	0		0		4	SALEABLE
		31403-6114	31403-6104	A	NO	BLACK					0	0	2	SALEABLE
		31403-6211	31403-6201	B	NO	GRAY	0	0	0	0	0	0	6	SALEABLE
		31403-6212	31403-6202	B	NO	GRAY				0	0	0	3	SALEABLE
		31403-6511	31403-6501	B	NO	BLACK	0	0	0	0	0	0	6	SALEABLE
		31403-6611	31403-6601	C	NO	BLACK	0	0	0	0	0	0	6	SALEABLE
		31403-6711	31403-6701	D	NO	BLACK	0	0	0	0	0	0	6	SALEABLE
		YAZAKI KAIZEN 0.64 TE GEN Y 0.64 JST AIT 0.64	31404-7110	31404-7100	A	NO	BLACK							0
	31404-7111		31404-7101	A	NO	BLACK	0	0	0	0	0	0	6	SALEABLE
	31404-7112		31404-7102	A	NO	BLACK	0		0				2	SALEABLE
	31404-7113		31404-7103	A	NO	BLACK	0					0	2	SALEABLE
	31404-7116		31404-7106	A	NO	BLACK						0	1	SALEABLE
	31404-7117		31404-7107	A	NO	BLACK	0		0			0	3	SALEABLE
	31404-7118		31404-7108	A	NO	BLACK	0						1	SALEABLE
	31404-7119		31404-7109	A	NO	BLACK			0		0	0	3	SALEABLE
	31404-7132		31404-7122	A	NO	BLACK			0				1	SALEABLE
31404-7133	31404-7123		A	NO	BLACK		0					1	SALEABLE	
31404-7134	31404-7124		A	NO	BLACK				0		0	2	SALEABLE	
31404-7135	31404-7125	A	NO	BLACK		0		0			2	SALEABLE		
31404-7136	31404-7126	A	NO	BLACK				0	0		2	SALEABLE		
31404-7213	31404-7203	B	NO	GRAY	0					0	2	SALEABLE		
31404-7214	31404-7204	B	NO	GRAY						0	1	SALEABLE		
31404-7215	31404-7205	B	NO	GRAY		0					1	SALEABLE		
31404-7216	31404-7206	B	NO	GRAY		0			0	0	3	SALEABLE		
31404-7812	31404-7802	C	NO	NATURAL				0	0	0	3	SALEABLE		
31404-7813	31404-7803	C	NO	NATURAL	0						1	SALEABLE		
31404-7814	31404-7804	C	NO	NATURAL	0			0	0		3	SALEABLE		
31404-7912	31404-7902	D	NO	GRAY	0						1	SALEABLE		
31404-7913	31404-7903	D	NO	GRAY		0		0			2	SALEABLE		
1X3	TYCO/MOLEX GET	31402-3113	31402-3103	A	NO	BLACK			0				1	SALEABLE
		31402-3114	31402-3104	A	NO	BLACK	0						1	SALEABLE
		31402-3115	31402-3105	A	NO	BLACK		0					1	SALEABLE
	MOLEX 0.64	31403-3132	31403-3122	A	NO	GRAY		0					1	SALEABLE
		YAZAKI KAIZEN 0.64, TE GEN Y 0.64, JST AIT 0.64	31404-3112	31404-3102	A	NO	BLACK		0					1

(S)

(T4)

(T4)

(T4)

(T4)

(T4)

(T4)

(T4)

(T4)

(T5)

(T6)

(T7)

(U2)

(T6)

(T7)

(T6)

(T8)

(T5)


(T7)

(T4)

(U1)

(P)

(R)

SYMBOLS	THIS DRAWING CONTAINS INFORMATION THAT IS PROPRIETARY TO MOLEX ELECTRONIC TECHNOLOGIES, LLC AND SHOULD NOT BE USED WITHOUT WRITTEN PERMISSION		CURRENT REV DESC:		
	DIMENSION UNITS	SCALE			
▽ = 0	mm	1:1			0.64 USCAR CONNECTOR SEALED SINGLE ROW ASSEMBLY
▽ = 0	GENERAL TOLERANCES (UNLESS SPECIFIED)				
▽ = 0	ANGULAR TOL ± 3.0°		EC NO: 629240		PRODUCT CUSTOMER DRAWING
▽ = 0	4 PLACES ±		DRWN: PZHANG71 2019/12/16		
▽ = 0	3 PLACES ±		CHK'D: CDZHANG 2019/12/31		DOCUMENT NUMBER: <b>SD-31402-211</b>
▽ = 0	2 PLACES ± 0.13		APPR: JDENG02 2020/01/02		
▽ = 0	1 PLACE ± 0.3		INITIAL REVISION:		DOC TYPE: PSD   DOC PART: 001   REVISION: U4
▽ = 0	0 PLACES ±		DRWN: RCARLSON 2004/03/01		
■ = 0	DRAFT WHERE APPLICABLE MUST REMAIN WITHIN DIMENSIONS		APPR: PBERG 2004/09/30		MATERIAL NUMBER: <b>31402</b>
▽ = 0	THIRD ANGLE PROJECTION		DRAWING: D-SIZE   SERIES: 31402		
			GENERAL MARKET		SHEET NUMBER: 8 OF 8