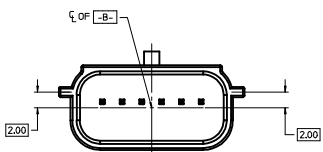


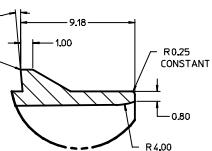


ISOMETRIC VIEW
SCALE 1:1

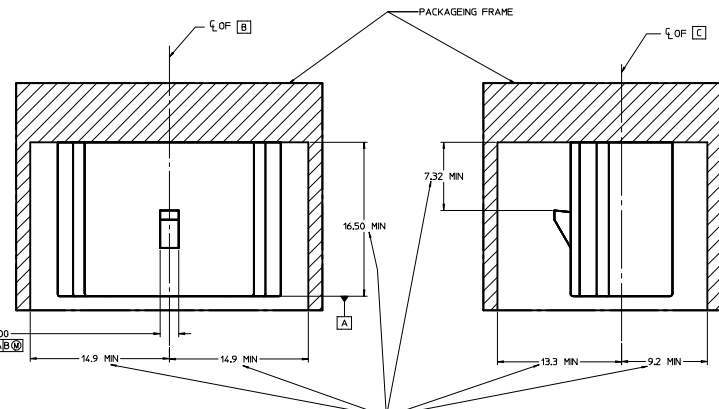


064-S-006-1-A02
(OPTION A)

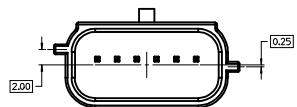
ELIMINATION OF BACK ANGLE
REQUIRES APPROVAL OF
RESPONSIBLE ENGINEER



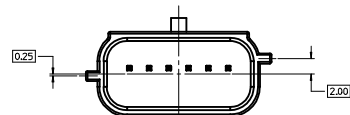
DETAIL A
SCALE 8:1



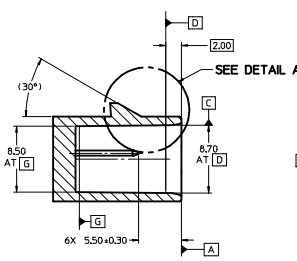
IF HEADER IS RECESSED INTO A POCKET, THESE DIMENSIONS REPRESENT THE CLEARANCE REQUIRED FOR THE MATING CONNECTOR SHROUD



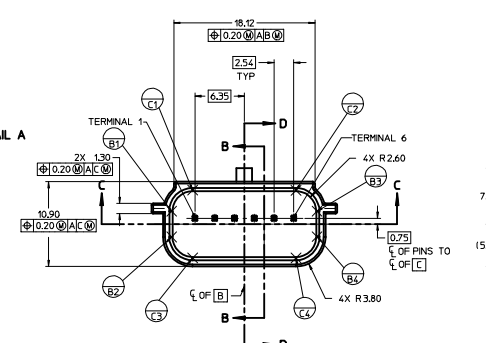
064-S-006-1-B02
(OPTION B)



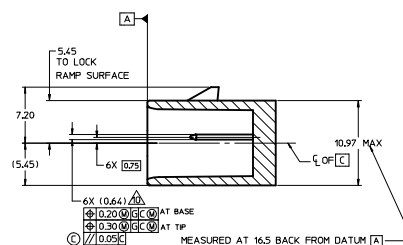
064-S-006-1-C02
(OPTION C)



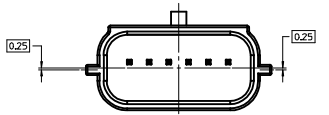
SECTION D-D



SECTION C-C

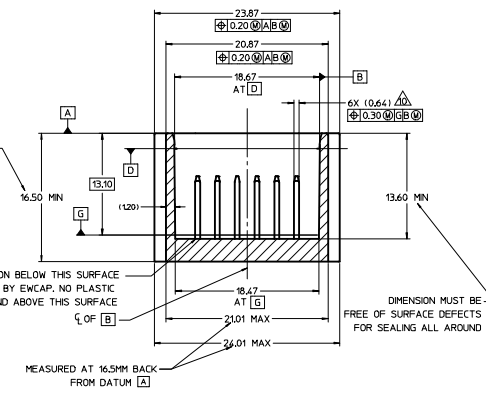


SECTION B-B



064-S-006-1-D02
(OPTION D)

MINIMUM CLEARANCE REQUIRED ON
OUTSIDE SURFACE OF HEADER FOR
MATING CONNECTOR SHROUD



CONSTRUCTION BELOW THIS SURFACE
IS NOT CONTROLLED BY EWCAP. NO PLASTIC
FEATURES MAY EXTEND ABOVE THIS SURFACE

DIMENSION MUST BE
FREE OF SURFACE DEFECTS
FOR SEALING ALL AROUND

MEASURED AT 16.5MM BACK
FROM DATUM [A]

NOTES: UNLESS OTHERWISE SPECIFIED

1. ALL DIMENSIONS SHOWN IN MILLIMETERS.
2. DIMENSIONING AND TOLERANCING PER ASME Y14.5M-1994.
3. RADI ON ALL CORNERS SHOWN SHARP OR ALL UNSPECIFIED RADI 0.25 EXCEPT AS NOTED.
4. REFER TO "SAE/J596 - 12 CONNECTOR DESIGN GUIDELINES" FOR ADDITIONAL INFORMATION.
5. A FULL SHROUD ON THE MATING CONNECTOR IS REQUIRED TO INSURE THAT THE CONNECTOR-HEADER POLARIZATION FEATURES (OPTIONS A THROUGH D) WILL FUNCTION. THE FULL SHROUD ALSO PREVENTS SCOP DAMAGE TO THE HEADER PINS. REFER TO "SAE/J596-12 CONNECTOR DESIGN GUIDELINES" FOR ADDITIONAL INFORMATION.
6. RECOMMENDED COLORS FOR POLARIZATION - DEVIATION REQUIRES APPROVAL OF AUTHORIZED PERSON.
7. 0.25 DEGREE DRAFT ON INSIDE WALLS STARTING AT DATUM G.
8. SECTION LINES ARE COMMON TO ALL OPTIONS.
9. DIMENSIONS IN () ARE FOR REFERENCE.
10. FOR PIN GEOMETRIC AND PLATING REQUIREMENTS, REFER TO EWCAP DWG. NO. EWCAP-001 DETAIL 064-1001.

064-S-006-1-D02	D	GREEN
064-S-006-1-C02	C	BROWN
064-S-006-1-B02	B	GRAY
064-S-006-1-A02	A	BLACK
EWCAP PIN	OPTION	MATING CONNECTOR COLOR

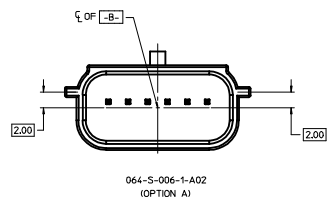
133	C	ADDED PARALLELISM CONTROL	09-28-16	DG	RCB
69	B	ADDED 23.87 IN SECTION C-C	03-22-07	TS	SV
		ADDED 24.01 IN SECTION C-C			
	A	INITIAL RELEASE	09-26-03	DG	RC
		REVISION RECORD	DATE	DWN	CHK
		TOLERANCES UNLESS OTHERWISE SPECIFIED		THIRD ANGLE PROJECTION	
		DIMENSIONS ARE IN MILLIMETERS			
		ANGLES 1:3°			
		X.X ±0.25	X.XX ±0.10		



USCAR-EWCAP					
SCALE	8 - 1	DRAWN BY	A. BUTCHER	CHECKED BY	D. GRIFFITHS
TITLE	DIRECT CONNECT INTERFACE 6 WAY (1 X 6) 0.64 mm SEALED MALE				
SHEET NUMBER	064-S-006-1-Z02	DATE	09-26-03	REVISION LEVEL	C

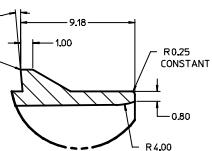


ISOMETRIC VIEW
SCALE 1:1

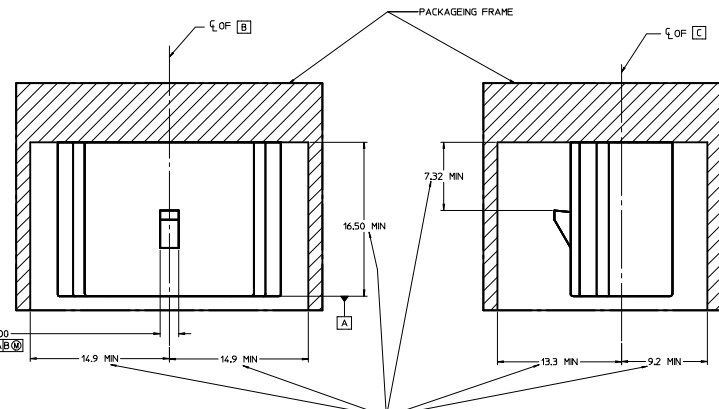


064-S-006-1-A02
(OPTION A)

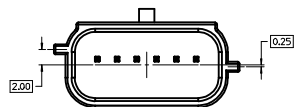
ELIMINATION OF BACK ANGLE
REQUIRES APPROVAL OF
RESPONSIBLE ENGINEER



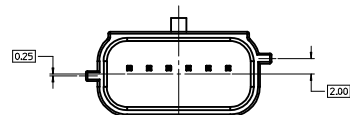
DETAIL A
SCALE 8:1



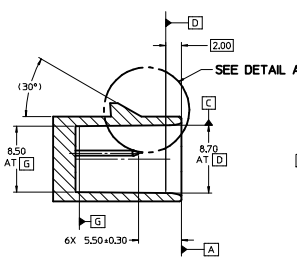
IF HEADER IS RECESSED INTO A POCKET, THESE DIMENSIONS REPRESENT
THE CLEARANCE REQUIRED FOR THE MATING CONNECTOR SHROUD



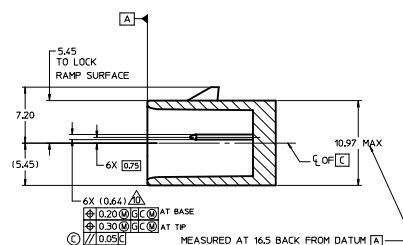
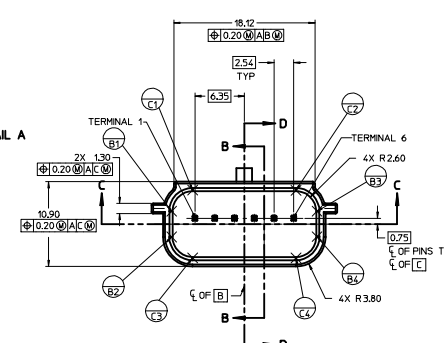
064-S-006-1-B02
(OPTION B)



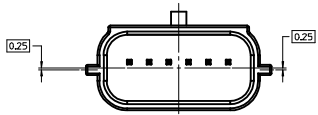
064-S-006-1-C02
(OPTION C)



SECTION D-D

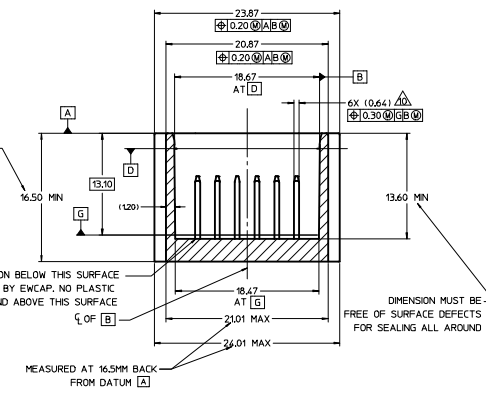


SECTION B-B



064-S-006-1-D02
(OPTION D)

MINIMUM CLEARANCE REQUIRED ON
OUTSIDE SURFACE OF HEADER FOR
MATING CONNECTOR SHROUD



SECTION C-C

NOTES: UNLESS OTHERWISE SPECIFIED

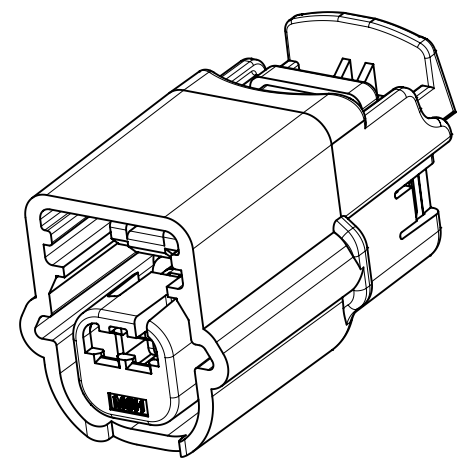
1. ALL DIMENSIONS SHOWN IN MILLIMETERS.
2. DIMENSIONING AND TOLERANCING PER ASME Y14.5M-1994.
3. RADI ON ALL CORNERS SHOWN SHARP OR ALL UNSPECIFIED RADI 0.25 EXCEPT AS NOTED.
4. REFER TO "SAE/J596 - 12 CONNECTOR DESIGN GUIDELINES" FOR ADDITIONAL INFORMATION.
5. A FULL SHROUD ON THE MATING CONNECTOR IS REQUIRED TO INSURE THAT THE CONNECTOR-HEADER POLARIZATION FEATURES (OPTIONS A THROUGH D) WILL FUNCTION. THE FULL SHROUD ALSO PREVENTS SCOP DAMAGE TO THE HEADER PINS. REFER TO "SAE/J596-12 CONNECTOR DESIGN GUIDELINES" FOR ADDITIONAL INFORMATION.
6. RECOMMENDED COLORS FOR POLARIZATION - DEVIATION REQUIRES APPROVAL OF AUTHORIZED PERSON.
7. 0.25 DEGREE DRAFT ON INSIDE WALLS STARTING AT DATUM G.
8. SECTION LINES ARE COMMON TO ALL OPTIONS.
9. DIMENSIONS IN () ARE FOR REFERENCE.
10. FOR PIN GEOMETRIC AND PLATING REQUIREMENTS, REFER TO EWCAP DWG. NO. EWCAP-001 DETAIL 064-1001.

064-S-006-1-D02	D	GREEN
064-S-006-1-C02	C	BROWN
064-S-006-1-B02	B	GRAY
064-S-006-1-A02	A	BLACK
EWCAP PIN	OPTION	MATING CONNECTOR COLOR

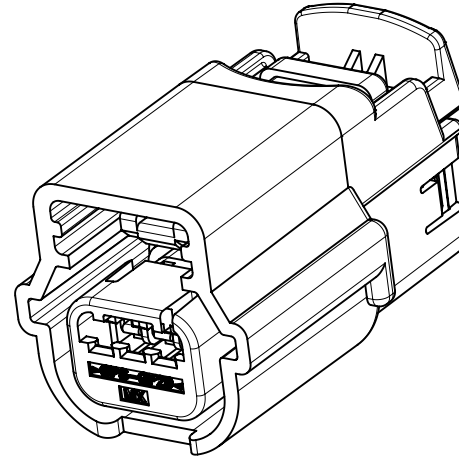
133	C	ADDED PARALLELISM CONTROL	09-28-16	DG	RCB
69	B	ADDED 23.87 IN SECTION C-C	03-22-07	TS	SV
		ADDED 24.01 IN SECTION C-C			
	A	INITIAL RELEASE	09-26-03	DG	RC
		REVISION RECORD	DATE	DWN	CHK
		TOLERANCES UNLESS OTHERWISE SPECIFIED		THIRD ANGLE PROJECTION	
		DIMENSIONS ARE IN MILLIMETERS			
		ANGLES 1:3°			
		X.X ±0.25	X.XX ±0.10		



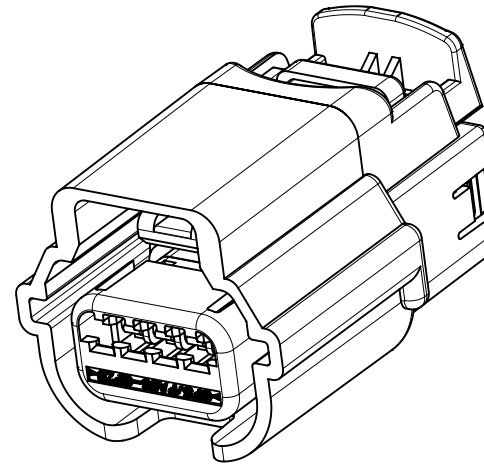
USCAR-EWCAP					
SCALE	8 - 1	DRAWN BY	A. BUTCHER	CHECKED BY	D. GRIFFITHS
TITLE	DIRECT CONNECT INTERFACE 6 WAY (1 X 6) 0.64 mm SEALED MALE				
SHEET NUMBER	064-S-006-1-Z02	DATE	09-26-03	REVISION LEVEL	C



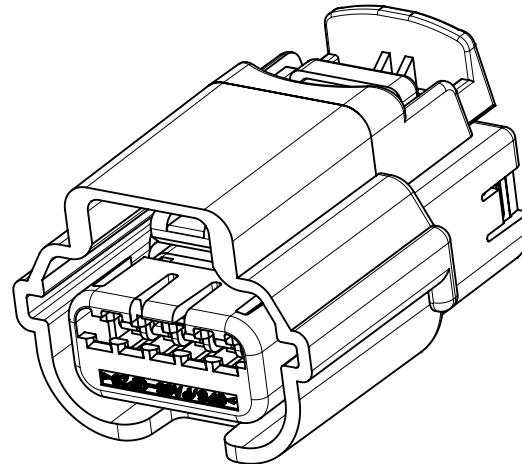
1X2



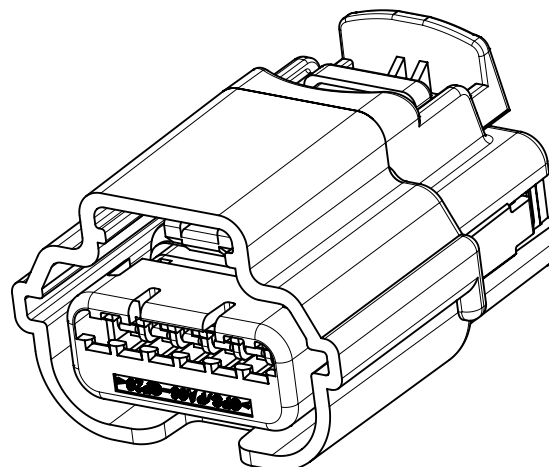
1X3



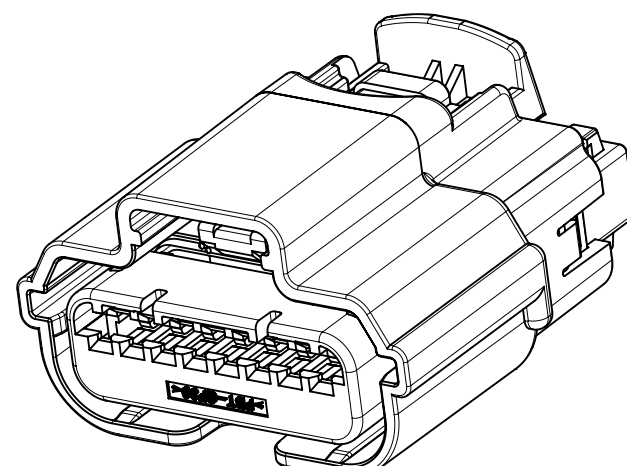
1X4



1X5



1X6



1X8

TABLE OF CONTENTS	
SHEET NO.	SHEET DESCRIPTION
1	NOTES AND BOM
2	CONNECTOR ASSEMBLY WITHOUT CLIPSLOT
3	CONNECTOR ASSEMBLY WITH CLIPSLOT
4-5	KEY CONFIGURATIONS
6-9	BOM

DRAWING INFORMATION	
DESCRIPTION	DRAWING NO.
PRODUCT SPECIFICATION	PS-31402-000
	FOR 31404 1X8 REFER TO PS-31404-001-1X8
PACKAGING	PK-31300-256
SALES DRAWING	SD-31402-211
	FOR 31404 1X8 REFER TO SD-31404-811
TEST SUMMARY	FOR 1X2 REFER TO TS-31402-001-1X2
	FOR 1X3 REFER TO TS-31402-001-1X3
	FOR 1X6 REFER TO TS-31402-001-1X6
	FOR 31404 1X8 REFER TO TS-31404-001-1X8

MATING INTERFACE DRAWING	
DESCRIPTION	INTERFACE DEFINITION
1X2	*064-S-002-1-Z02
1X3	*064-S-003-1-Z01
1X4	*064-S-004-1-Z02
1X5	*064-S-005-1-Z02
1X6	*064-S-006-1-Z02
1X8	*064-S-008-1-Z02

NOTES: VALID UNLESS OTHERWISE SPECIFIED

1. GENERAL:

- a. APPLICATION SPECIFICATION SEE: AS-31402-000
 - CONTAINS: SEE AS CONTENT
 - DESIGNED TO MATE WITH DEVICE OR CONNECTOR AS SPECIFIED IN THE MATING INTERFACE DRAWINGS CHART.
 - *DENOTES DRAWINGS THAT CAN BE ACCESSED AT <http://ewcap.uscarteams.org/>.
 - ASSEMBLY SHIPPED WITH PLR IN PRE-LOCK POSITION (SEE PLR PRE-LOCK VIEW ON SHEET 2 SECTION A-A).
- b. PRODUCT RELATED DRAWING REFER TO DRAWING INFORMATION CHART
- c. TPA'S MAY BECOME SEATED DURING TRANSIT. IF THIS OCCURS, TPA'S SHOULD BE MOVED TO THE PRE-LOCKED POSITION PRIOR TO FEMALE TERMINAL INSTALLATION. REFERENCE PRODUCT SPECIFICATION: PS-34646-001
- d. PARTS MUST BE IN COMPLIANCE TO MOLEX CHEMICAL SUBSTANCES FOR PRODUCTS AND PACKAGING SPECIFICATION: QEHS-699000-301
- e. DATA MUST BE SUBMITTED UNDER THE MOLEX PART NUMBER TO IMDS (COMPANY ID#13255)
- f. SYSTEM EXCEPT SERIES 31404 1X8 CIRCUIT TO BE USED WITH OUTSIDE WIRE DIAMETERS RANGING FROM 1.20MM TO 2.06MM WITHIN RANGE OF:
 - SAE 22 AWG TO 18 AWG PER ESB-M1L123-A2
 - ISO 0.35MM² TO 0.75MM² PER GMW15626 AND ES-AU5T-1A348-AA
- g. POLARIZATION FEATURE EFFECTIVENESS PER USCAR-2 PARAGRAPH 5.4.4 IS REDUCED WHEN TESTING ALL POLARIZATION OPTIONS: 100N MIN.
- h. SEE SHEET #3 FOR CONNECTOR ASSEMBLY WITH CLIPSLOP
- i. FOR CLIPSSLOT CONNECTOR: CLIP OVERHANGS CONNECTOR, PLEASE CHECK APPLICATION (COULD CAUSE WIRE CHAFING)-SHORTER CLIP IS A RECOMMENDATION.

2. DESIGN - GEOMETRY:

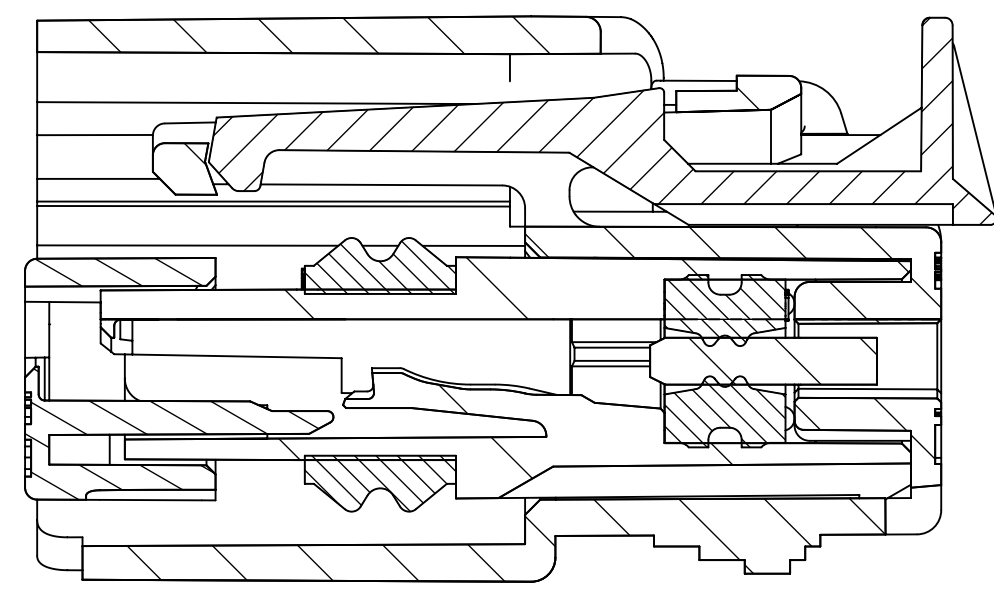
- a. THE 3-D CAD DATA IS BASIC (WITHOUT TOLERANCE) AND MASTER FOR THIS PART WITH THE EXCEPTION OF UNDERLINED DIMENSIONS. DIMENSIONAL INFORMATION NOT SHOWN ON THIS DRAWING IS DEFINED BY THE DATA FILE AT ITS LATEST REVISION.
- b. GEOMETRIC DIMENSIONS AND TOLERANCES PER ASME Y14.5M-2009
- c. EDGES AND UNDIMENSIONED DETAILS PER ISO13715
- d. CORNERS SHOWN AS SHARP TO BE R 0.2 MAX.
- e. LETTERING SHALL BE 0.15 MAX RAISED IN 0.25 MAX RECESS PAD. THIS INCLUDES RECYCLING CODE, CAVITY ID, VENDOR IDENTIFICATION, AND CUSTOMER MATERIAL NUMBER.
- f. VISUAL DEFECTS SHALL MEET COSMETIC STANDARD PS-45499-002 (Class B).
- g. DATE CODE: FIRST TWO DIGITS ARE THE CALENDAR YEAR (EXAMPLE: 04 = 2004). THIRD THROUGH 5TH DIGIT DAY # OF THE CALENDAR YEAR (EXAMPLE: FEB. 3RD = '034').

PART NUMBER LEGEND
CONNECTOR ASSEMBLY

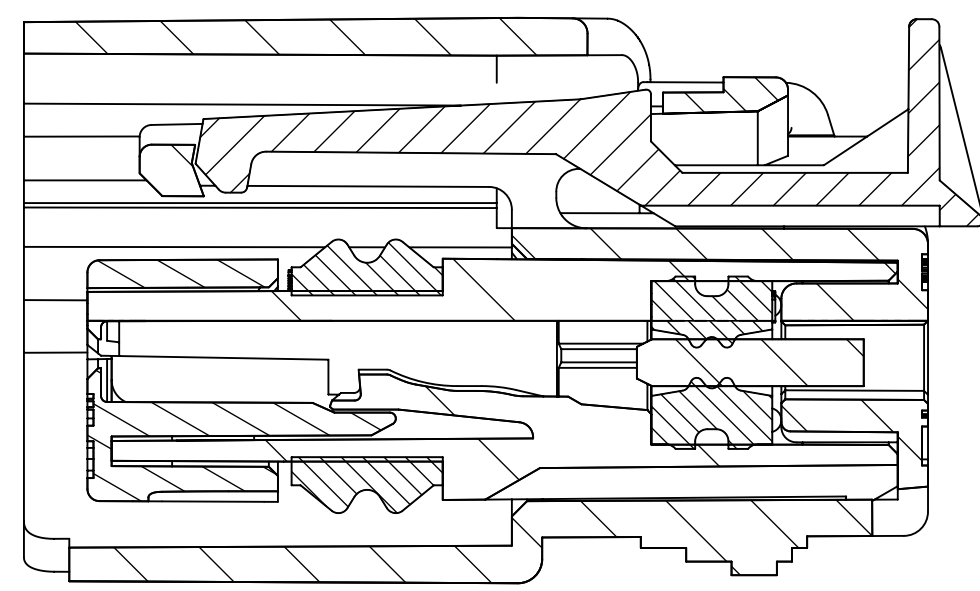
- 3140X-XXXX
 - SEAL PLUG CONFIGURATION (AS MOLDED)
 - 0 - ALL CIRCUITS OPEN
 - 1-9 SEE CHART
 - CPA OPTION
 - 0 OR 2 - WITHOUT CPA
 - 1 OR 3 - WITH CPA
 - 4 - WITHOUT CPA, WITH CLIPSLOT
 - 5 - WITH CPA, WITH CLIPSLOT
 - USCAR POLARIZATION OPTION
 - 1 - POLARIZATION OPTION A
 - 2 - POLARIZATION OPTION B
 - 3 - POLARIZATION OPTION C
 - 4 - POLARIZATION OPTION D
 - 5 - POLARIZATION OPTION B, BLACK
 - 6 - POLARIZATION OPTION C, BLACK
 - 7 - POLARIZATION OPTION D, BLACK
 - 8 - POLARIZATION OPTION C, NATURAL
 - 9 - POLARIZATION OPTION D, GRAY
 - 0 - POLARIZATION OPTION D, DARK GRAY
 - CIRCUIT SIZE 2, 3, 4, 5, 6 & 8
 - 6 - CIRCUIT SIZE 6, WITH 31412-6500 OR 31412-6501 RING SEAL (FOR 31402 AND 31403 SERIES) WITH 31412-6500 RING SEAL (FOR 31404 SERIES)
 - 7 - CIRCUIT SIZE 6, WITH 31412-6501 RING SEAL (FOR 31404 SERIES)
 - TERMINAL OPTION
 - 2 - TYCO/MOLEX GET 0.64
 - 3 - MOLEX 0.64
 - 4 - YAZAKI KAIZEN 0.64/TE GEN Y 0.64/JST AIT 0.64

U4	DELETE P/N 31402-2120/2130
U3	DELETE OBSOLETE P/NS (31404-6XXX) DELETE P/N WITH GREEN AND BROWN COLOR
U2	ADD P/N: 31404-7126, 31404-7136
U1	ADD P/N: 31402-3115, 31402-3105
U	OBSOLETE P/N 31404-6XXX
T8	ADD P/N: 31404-7804, 31404-7814
T7	CHANGE STATUS FROM "TOOLED" TO "SALEABLE" ADD P/N 31404-7135/7125, 31404-7216/7206, 31404-7913/7903
T6	ADD P/N: 31404-7124, 31404-7134, 31404-7205, 31404-7215, 31404-7803, 31404-7813
T5	ADD P/N: 31404-7123; 31404-7133; 31404-7902; 31404-7912
T4	ADD P/N:31402-2120,31402-2130,31402-3104,31402-3114,31402-6201,31402-6211,31402-6301,31402-6311,31402-6401,31402-6411,31402-6501,31402-6511,31402-6601,31402-6611,31402-6701,31402-6711,31403-6201,31403-6211,31403-6301,31403-6311,31403-6401,31403-6411,31403-6501,31403-6511,31403-6601,31403-6611,31403-6701,31403-6711,31404-6201,31404-6211
T2	UPDATE BOM INFORMATION ON SHEET 9
T1	DELETE 31402/31403-7*** P/N
T	ADD P/N 3140*-7XXXX FOR 1X6 WITH 31412-6501 RING SEAL VERSION ON SHEET 9
S	ADD P/N: 31402-6131; 31402-6121
R	ADD P/N: 31404-3112; 31404-3102
P	ADD P/N: 31403-3132; 31403-3122
M	ADD P/N: 31402-6118; 31402-6108
REV	REV DESCRIPTION

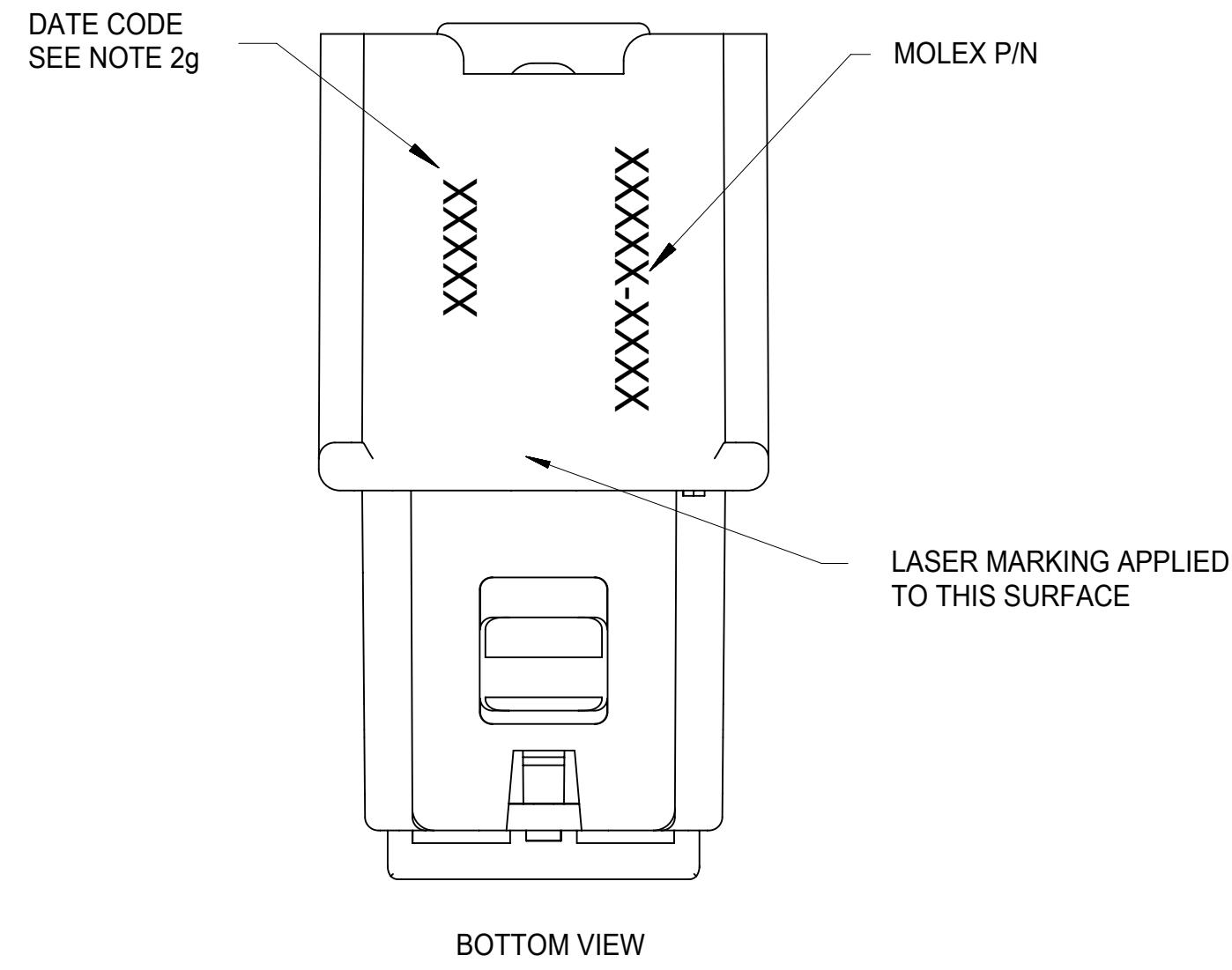
SYMBOLS	THIS DRAWING CONTAINS INFORMATION THAT IS PROPRIETARY TO MOLEX ELECTRONIC TECHNOLOGIES, LLC AND SHOULD NOT BE USED WITHOUT WRITTEN PERMISSION		CURRENT REV DESC:	
	DIMENSION UNITS	SCALE		
= 0	mm	1:1		
= 0	GENERAL TOLERANCES (UNLESS SPECIFIED)		EC NO: 629240	
= 0	ANGULAR TOL	± 3.0°	DRWN: PZHANG71	2019/12/16
= 0	4 PLACES	±	CHK'D: CDZHANG	2019/12/31
= 0	3 PLACES	±	APPR: JDENG02	2020/01/02
= 0	2 PLACES	± 0.13	INITIAL REVISION:	
= 0	1 PLACE	± 0.3	DRWN: RCARLSON	2004/03/01
= 0	0 PLACES	±	APPR: PBERG	2004/09/30
= 0	DRAFT WHERE APPLICABLE MUST REMAIN WITHIN DIMENSIONS	THIRD ANGLE PROJECTION	DRAWING	SERIES
= 0			D-SIZE	31402
DOCUMENT STATUS		P1	RELEASE DATE	2020/01/02 02:35:41
DOCUMENT NUMBER		DOC TYPE		DOC PART
SD-31402-211		PSD	001	U4
MATERIAL NUMBER		CUSTOMER		SHEET NUMBER
GENERAL MARKET				1 OF 8



SECTION A-A
TPA SHOWN IN AS-SHIPPED
PRE-LOCKED POSITION
SEE NOTE 1c

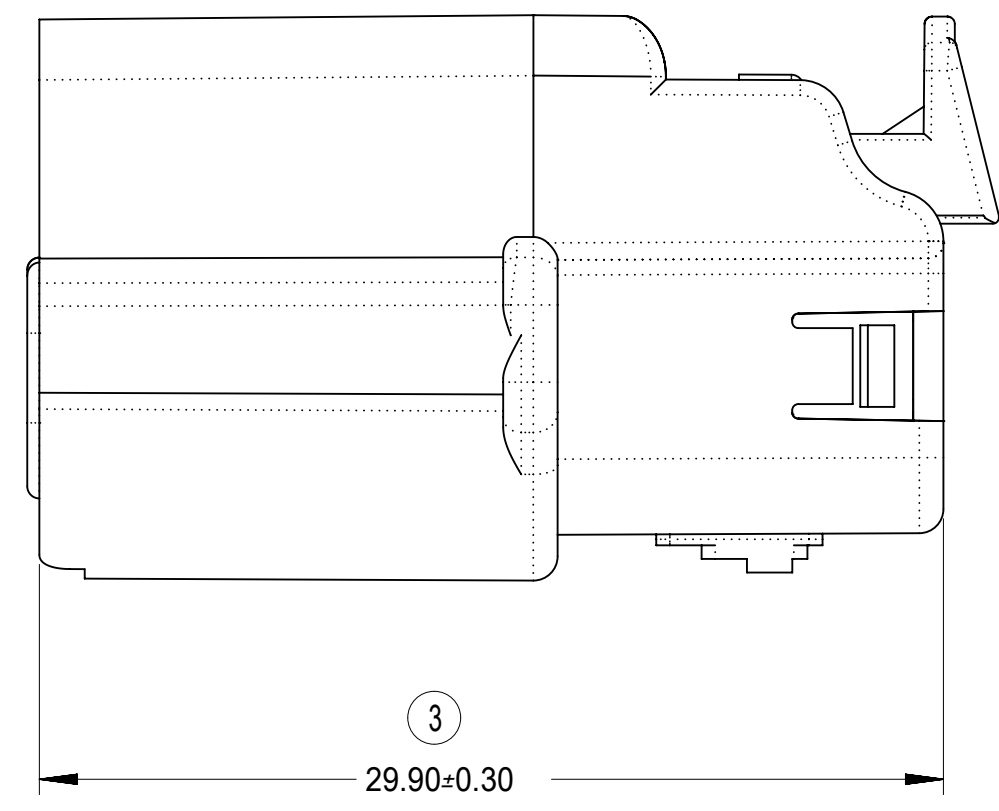
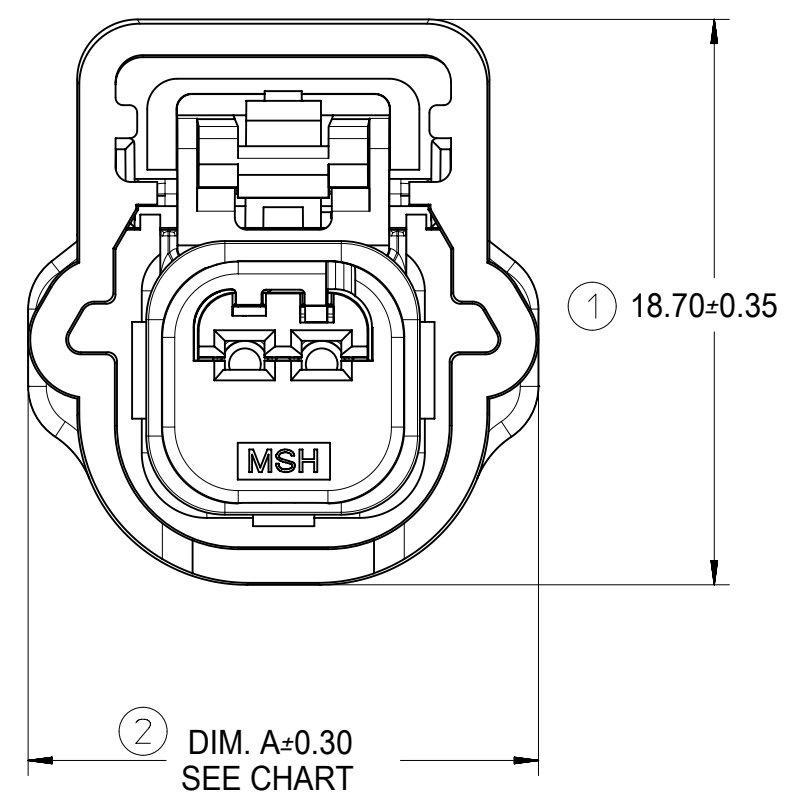
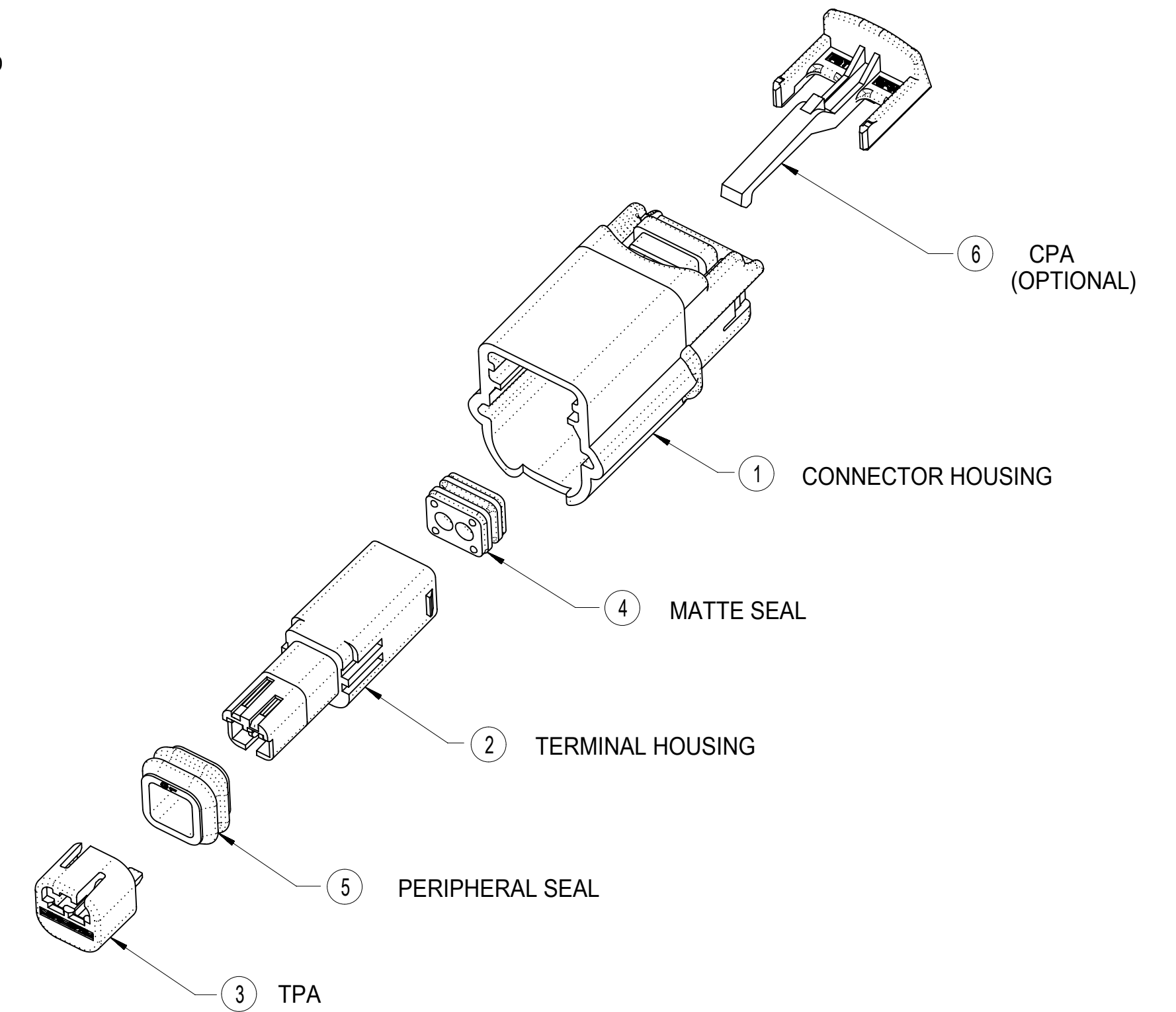


SECTION A-A
TPA SHOWN IN FINAL
LOCKED POSITION

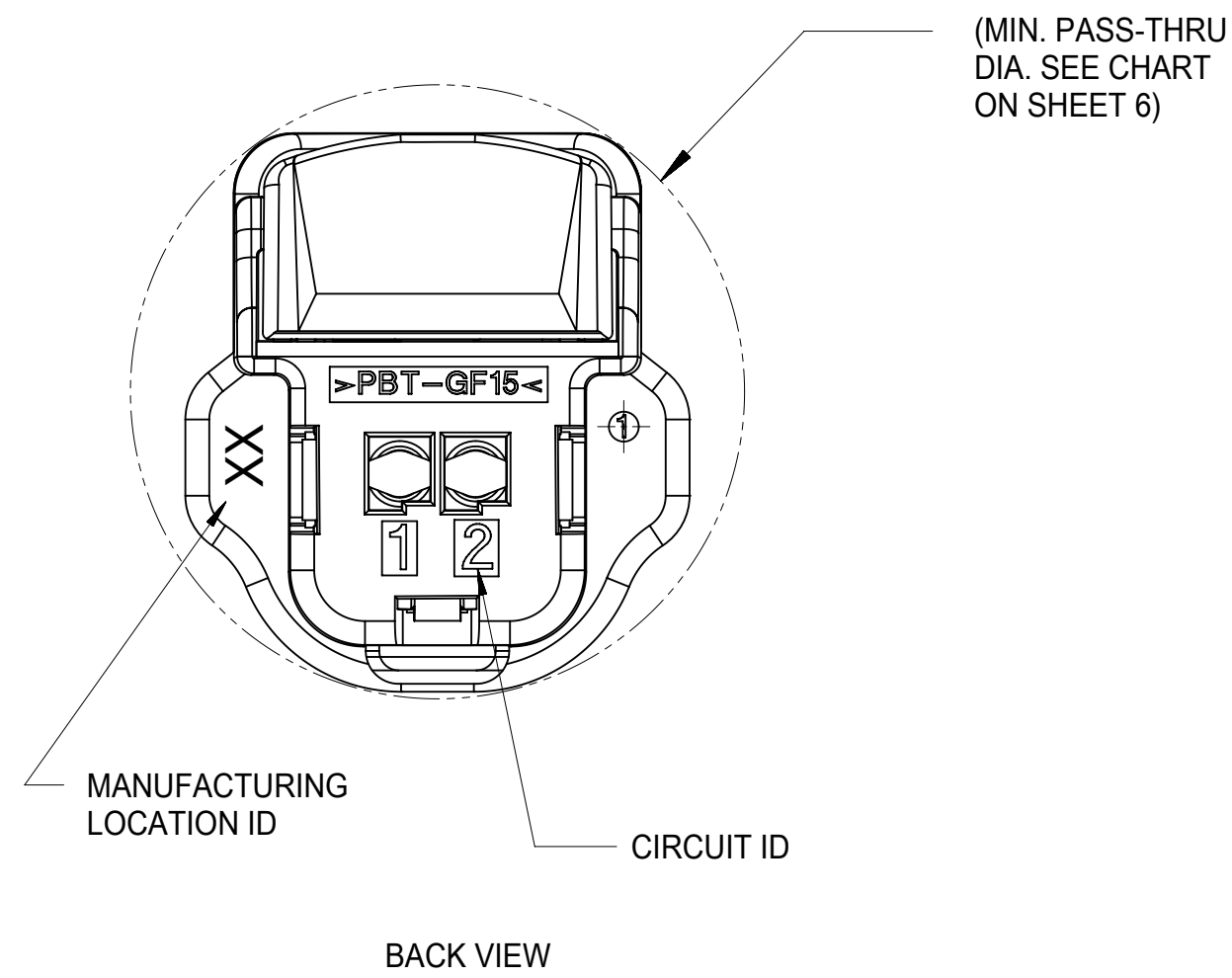


BOTTOM VIEW

CONNECTOR ASSEMBLY WITHOUT CLIPSLOT



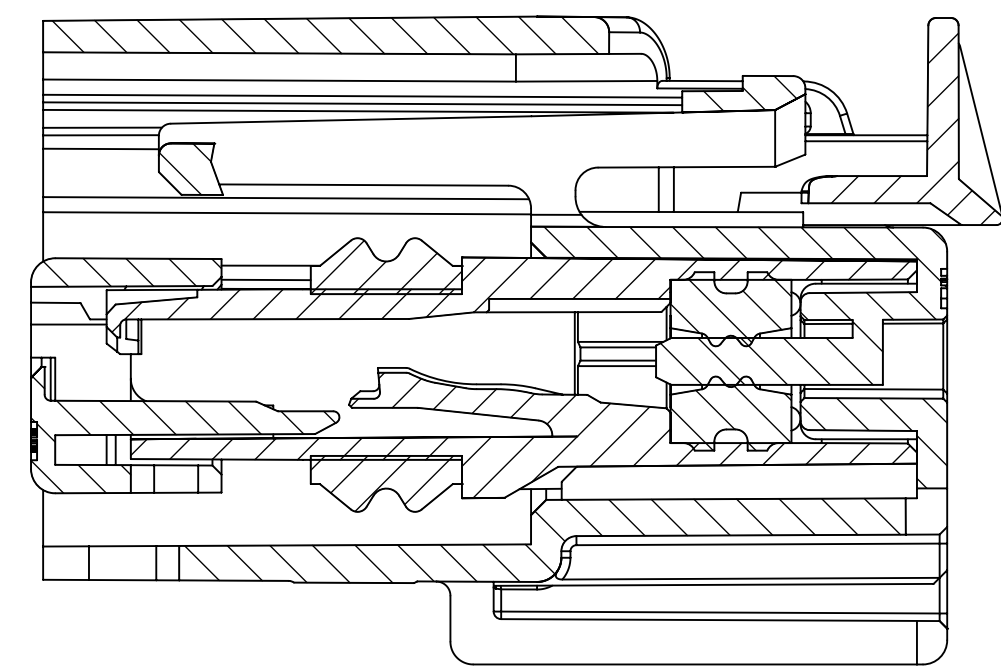
RIGHT SIDE VIEW



BACK VIEW

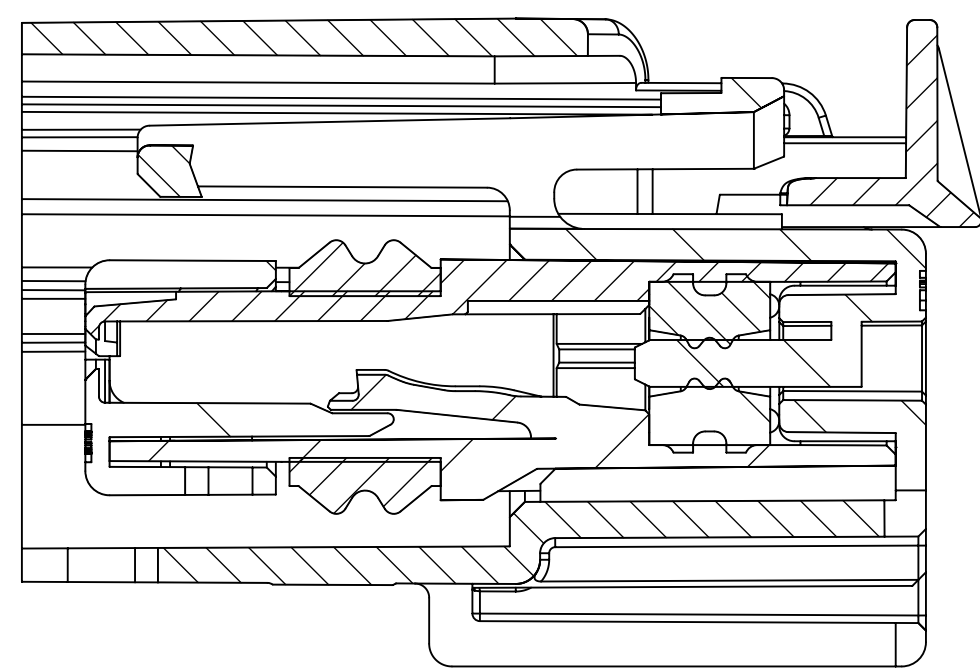
ITEM	DESCRIPTION	COLOR	MATERIAL
1	CONNECTOR HOUSING	SEE CHART	PBT GF15
2	TERMINAL HOUSING	BLACK	SPS/PA66 GF30
3	TPA	NATURAL	SPS/PA66 GF20
4	MATTE SEAL	SEE CHART	SILICONE RUBBER
5	PERIPHERAL SEAL	SEE CHART	SILICONE RUBBER
6	CPA - OPTIONAL	RED	PBT GF30

SYMBOLS		THIS DRAWING CONTAINS INFORMATION THAT IS PROPRIETARY TO MOLEX ELECTRONIC TECHNOLOGIES, LLC AND SHOULD NOT BE USED WITHOUT WRITTEN PERMISSION		CURRENT REV DESC:		molex	
▽ = 0	DIMENSION UNITS	mm	SCALE	1:1	EC NO: 629240		0.64 USCAR CONNECTOR SEALED SINGLE ROW ASSEMBLY
▽ = 0	GENERAL TOLERANCES (UNLESS SPECIFIED)				DRWN: PZHANG71	2019/12/16	
▽ = 0	ANGULAR TOL	±	3.0°		CHK'D: CDZHANG	2019/12/31	
▽ = 0	4 PLACES	±			APPR: JDENG02	2020/01/02	
▽ = 0	3 PLACES	±			INITIAL REVISION:		
▽ = 0	2 PLACES	±	0.13		DRWN: RCARLSON	2004/03/01	
▽ = 0	1 PLACE	±	0.3		APPR: PBERG	2004/09/30	
▽ = 0	0 PLACES	±			THIRD ANGLE PROJECTION		
▽ = 0	DRAFT WHERE APPLICABLE MUST REMAIN WITHIN DIMENSIONS				DRAWING	SERIES	DOCUMENT NUMBER
					D-SIZE	31402	SD-31402-211
							DOC TYPE
							PSD
							DOC PART
							001
							REVISION
							U4
							MATERIAL NUMBER
							CUSTOMER
							GENERAL MARKET
							SHEET NUMBER
							2 OF 8



SECTION C-C

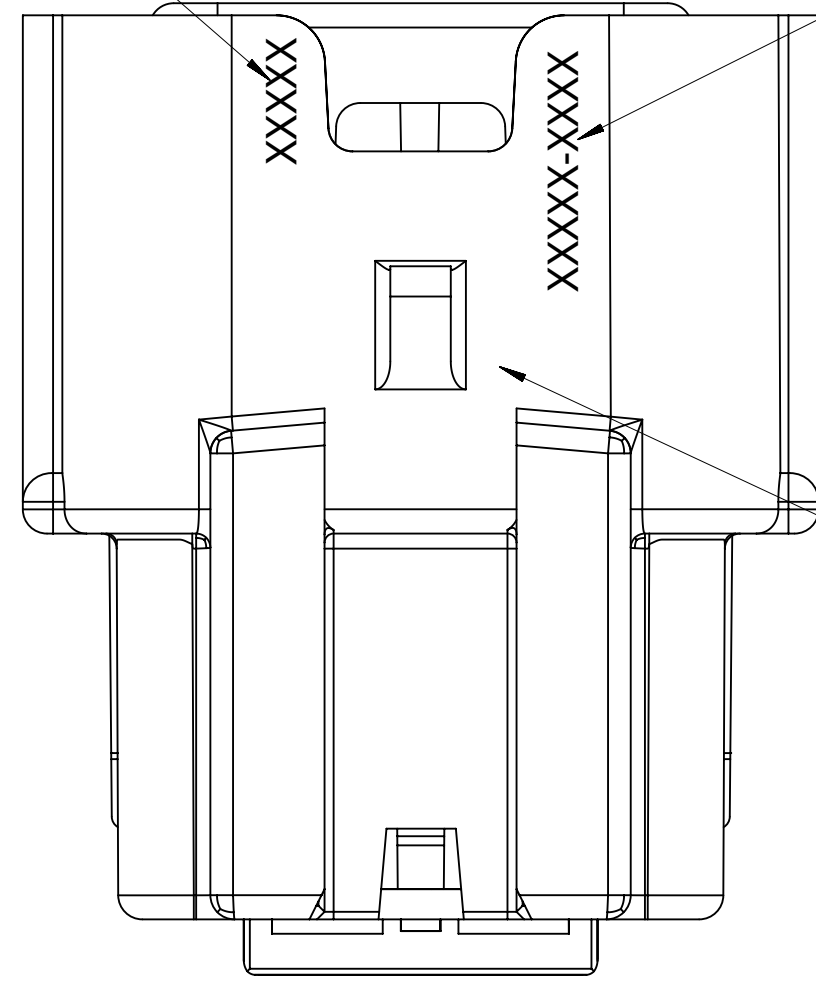
TPA SHOWN IN AS-SHIPPED
PRE-LOCKED POSITION
SEE NOTE 1c



SECTION C-C

TPA SHOWN IN FINAL
LOCKED POSITION

DATE CODE
SEE NOTE 2g

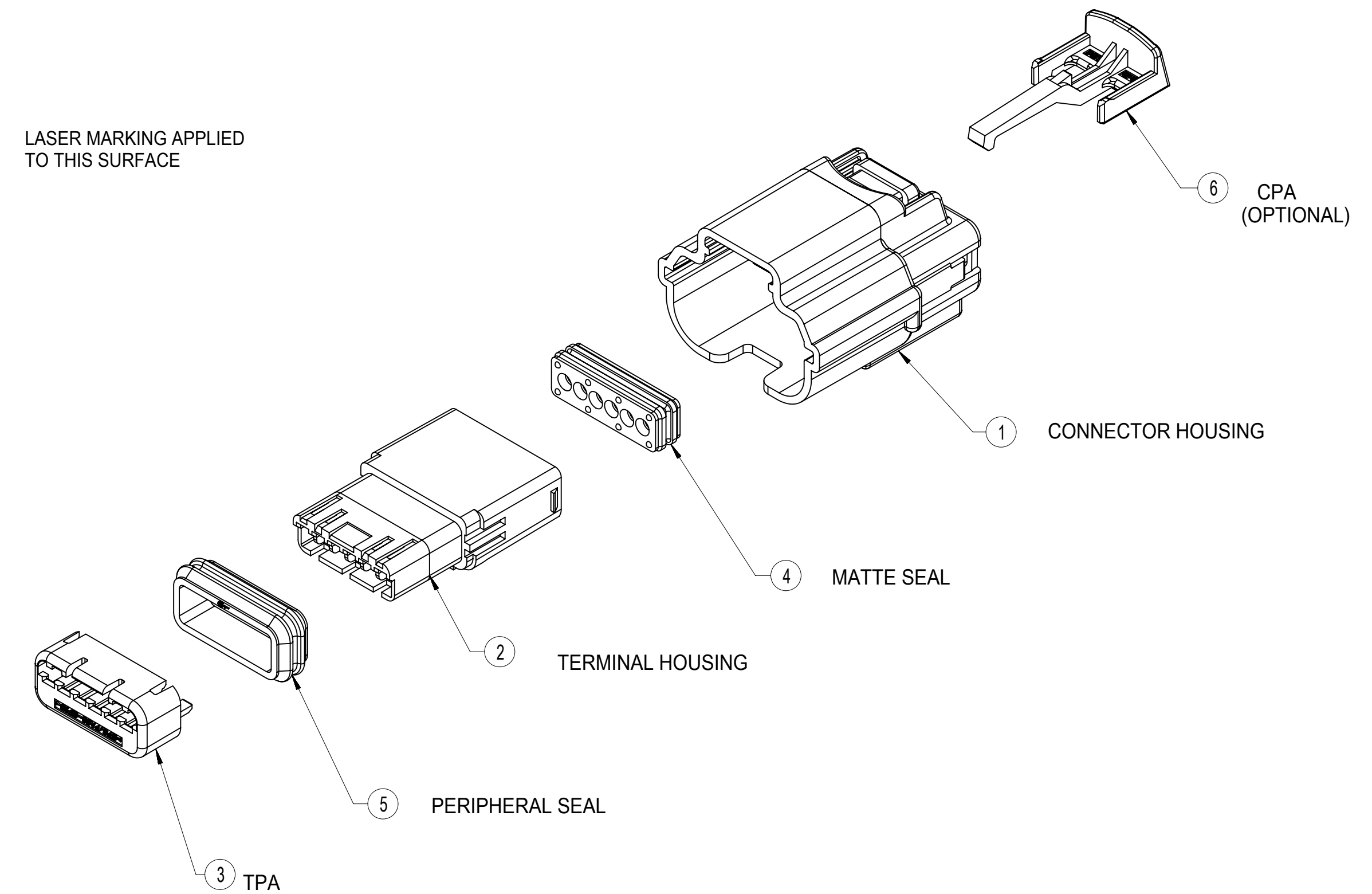


MOLEX P/N

LASER MARKING APPLIED
TO THIS SURFACE

BOTTOM VIEW

CONNECTOR ASSEMBLY WITH CLIPSLOT



CONNECTOR HOUSING

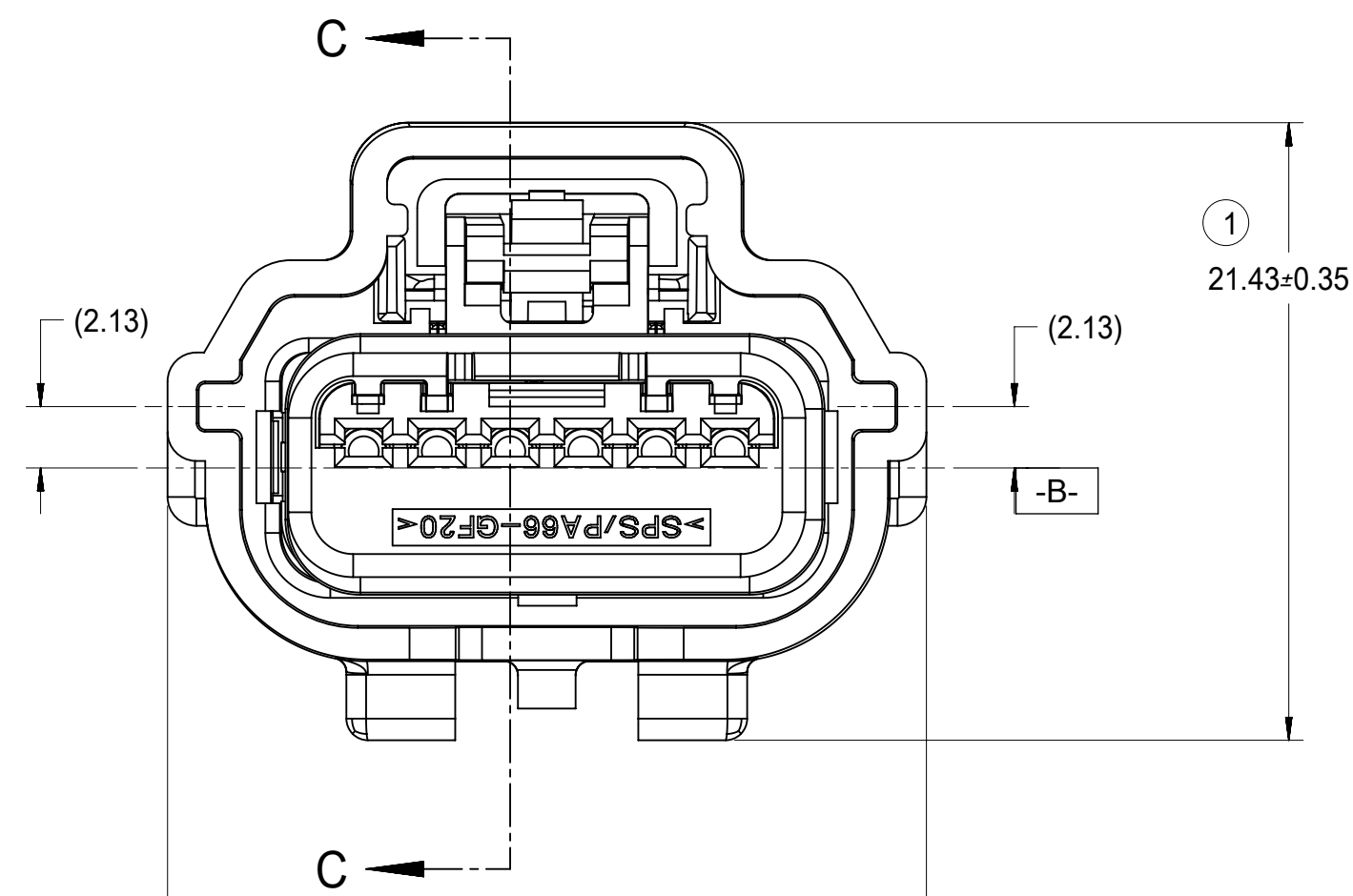
TERMINAL HOUSING

PERIPHERAL SEAL

TPA

MATTE SEAL

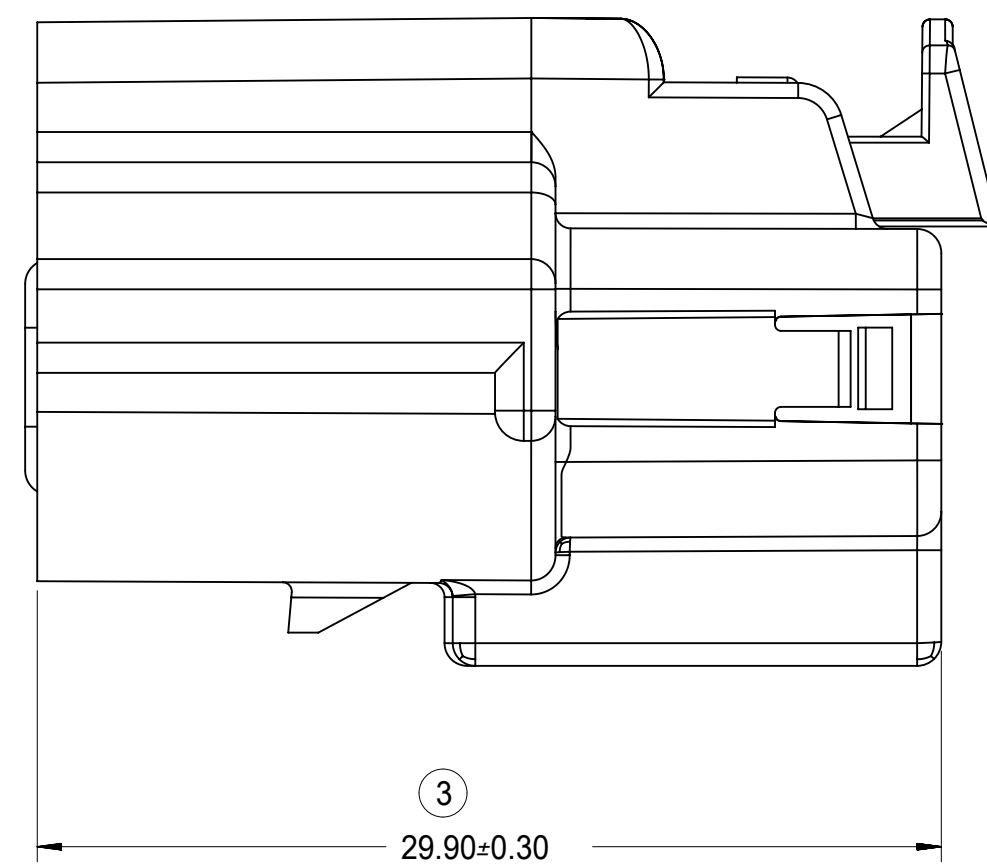
CPA
(OPTIONAL)



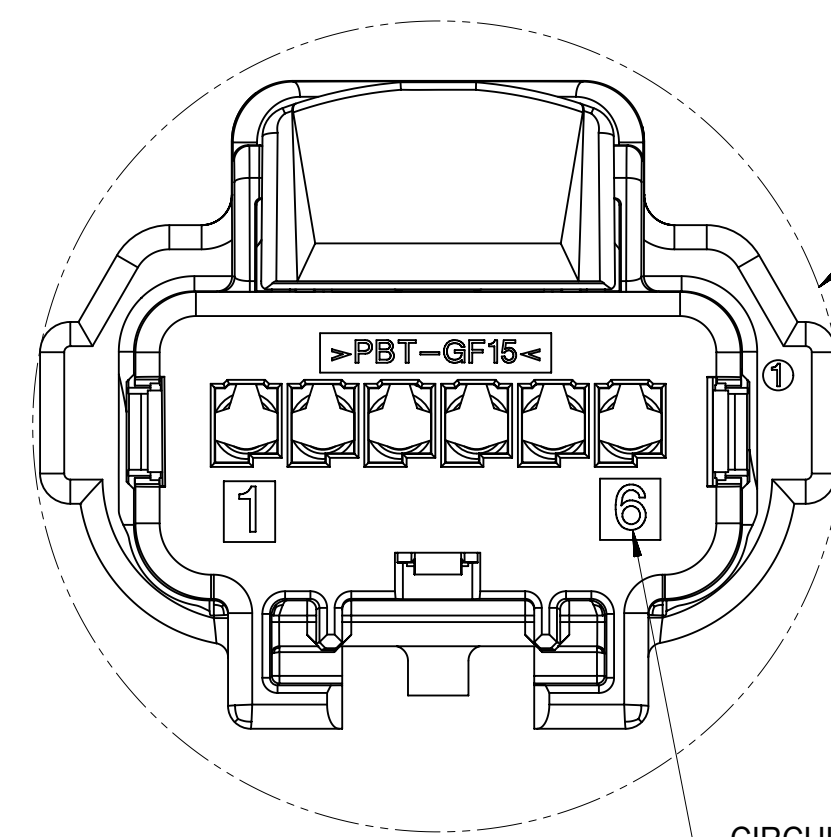
DIM A=0.30
SEE CHART

FRONT VIEW

POLARIZATION A



RIGHT SIDE VIEW



(MIN. PASS-THRU
DIA. SEE CHART
ON SHEET 7)

BACK VIEW

CIRCUIT ID

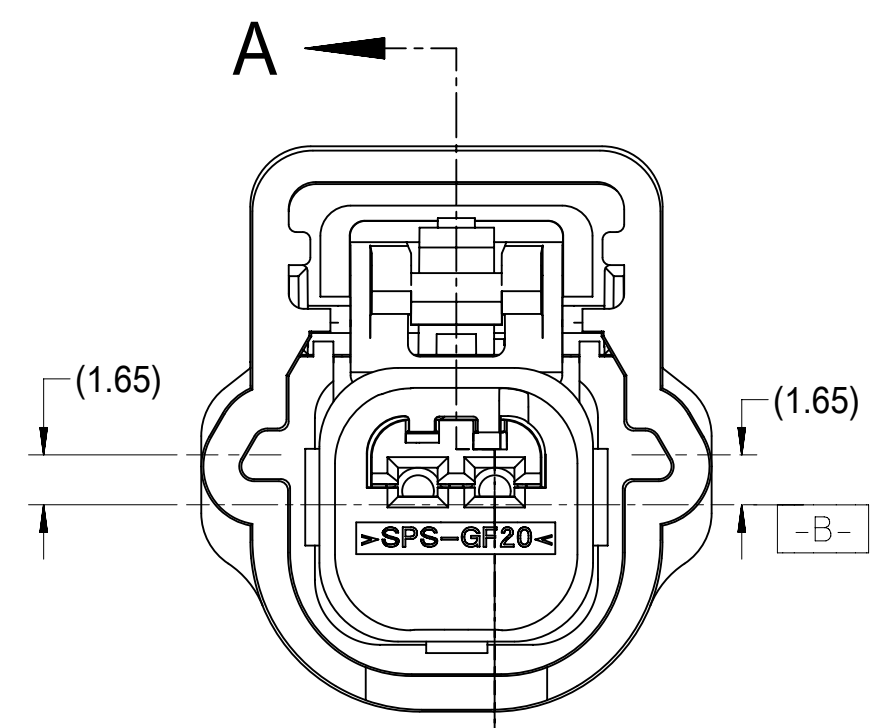
ITEM	DESCRIPTION	COLOR	MATERIAL
1	CONNECTOR HOUSING	SEE CHART	PBT GF15
2	TERMINAL HOUSING	BLACK	SPS/PA66 GF30
3	TPA	NATURAL	SPS/PA66 GF20
4	MATTE SEAL	SEE CHART	SILICONE RUBBER
5	PERIPHERAL SEAL	SEE CHART	SILICONE RUBBER
6	CPA - OPTIONAL	RED	PBT GF30

SYMBOLS		THIS DRAWING CONTAINS INFORMATION THAT IS PROPRIETARY TO MOLEX ELECTRONIC TECHNOLOGIES, LLC AND SHOULD NOT BE USED WITHOUT WRITTEN PERMISSION		CURRENT REV DESC:		molex	
▽ = 0	DIMENSION UNITS	mm	SCALE	1:1		0.64 USCAR CONNECTOR SEALED SINGLE ROW ASSEMBLY	
▽ = 0	GENERAL TOLERANCES (UNLESS SPECIFIED)		EC NO: 629240		PRODUCT CUSTOMER DRAWING		DOCUMENT NUMBER SD-31402-211
▽ = 0	ANGULAR TOL ± 3.0°		DRWN: PZHANG71 2019/12/16		DOC TYPE DOC PART REVISION PSD 001 U4		
▽ = 0	4 PLACES ±		CHK'D: CDZHANG 2019/12/31		INITIAL REVISION:		MATERIAL NUMBER 31402
▽ = 0	3 PLACES ±		APPR: JDENG02 2020/01/02		DRWN: RCARLSON 2004/03/01		
▽ = 0	2 PLACES ± 0.13		DRAFT WHERE APPLICABLE MUST REMAIN WITHIN DIMENSIONS		APPR: PBERG 2004/09/30		SHEET NUMBER 3 OF 8
▽ = 0	1 PLACE ± 0.3		THIRD ANGLE PROJECTION		SERIES D-SIZE 31402		
▽ = 0	0 PLACES ±		DRAWING		SERIES		

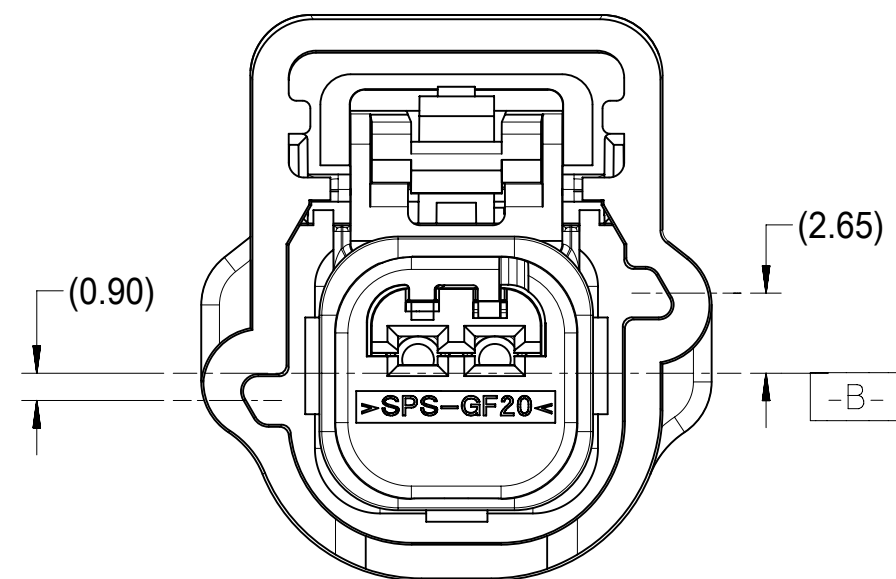
1X2

1X3

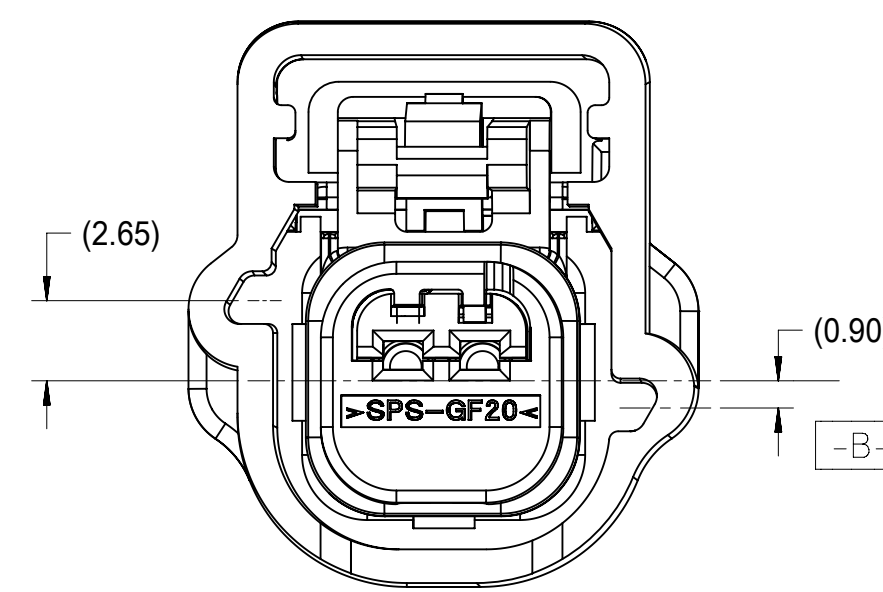
1X4



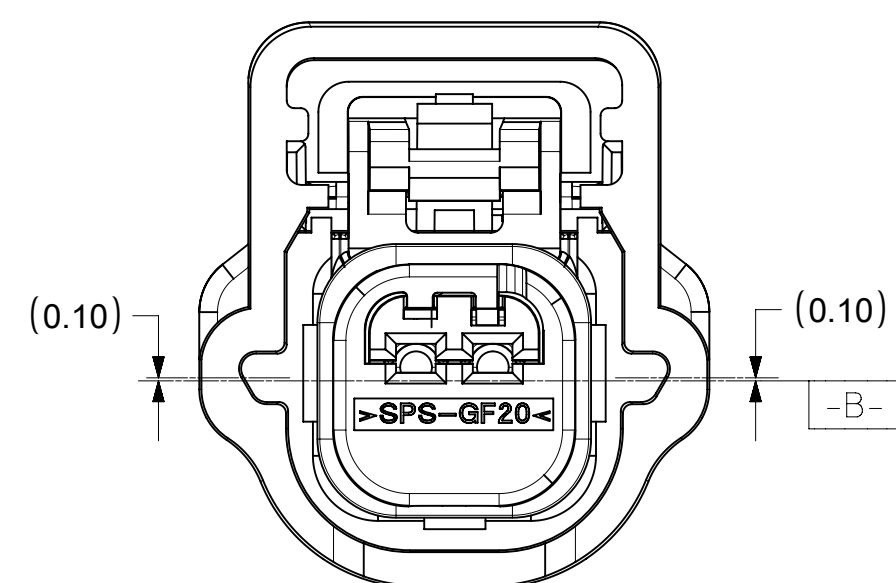
FRONT VIEW
POLARIZATION A



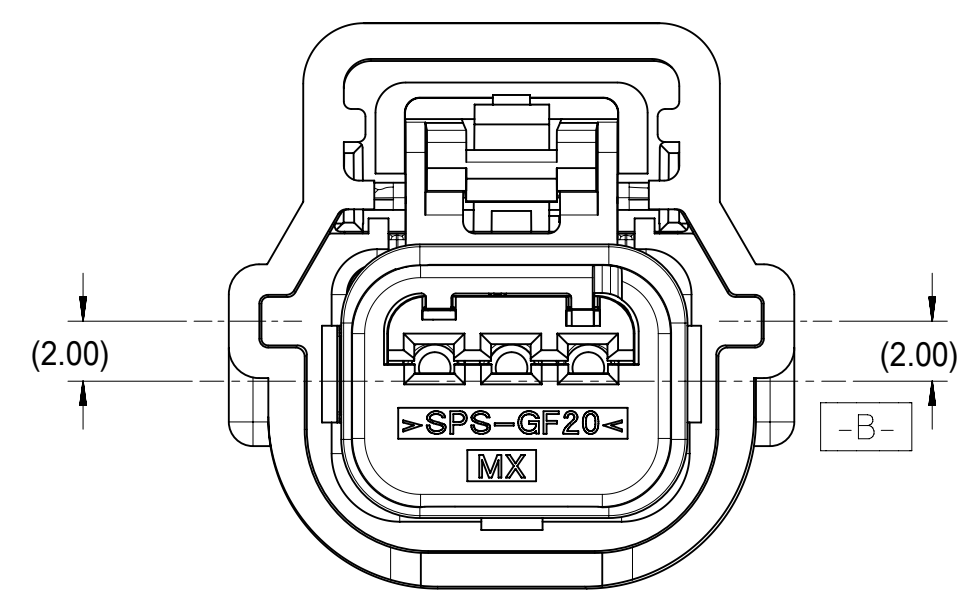
POLARIZATION B



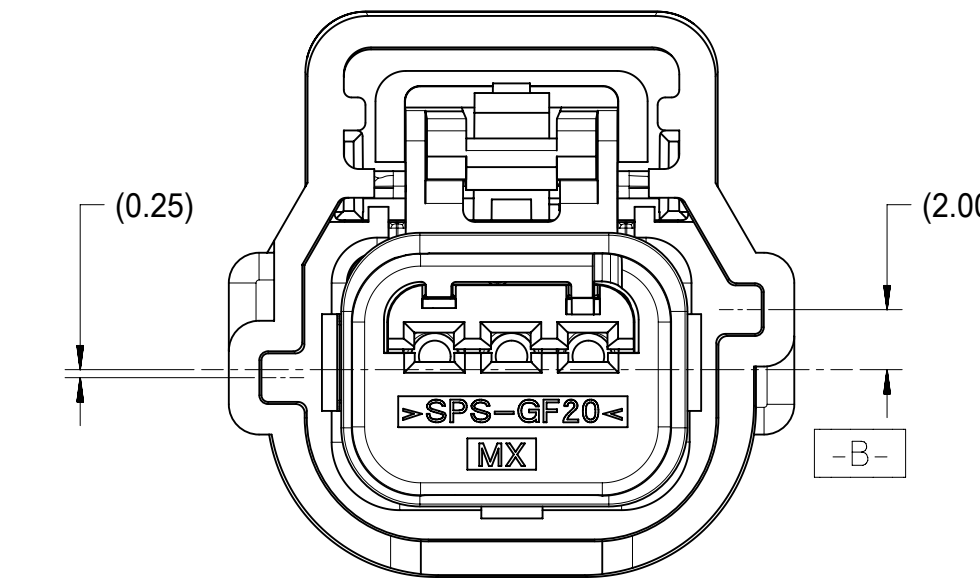
POLARIZATION C



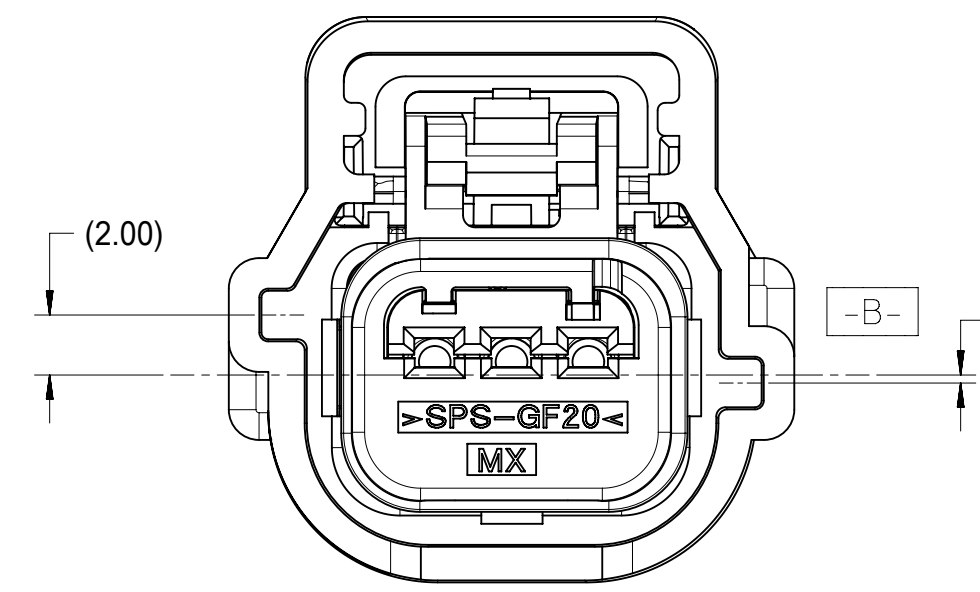
POLARIZATION D



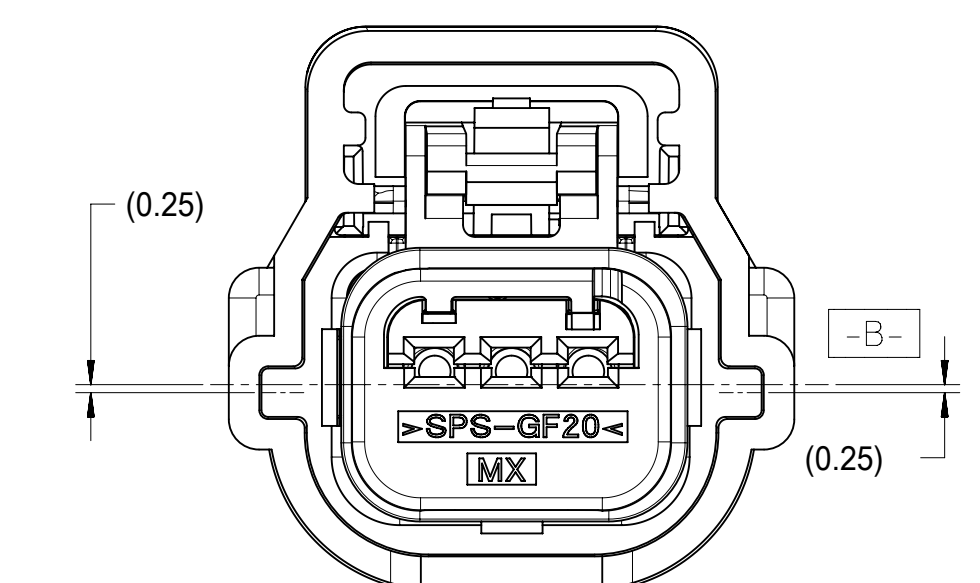
POLARIZATION A



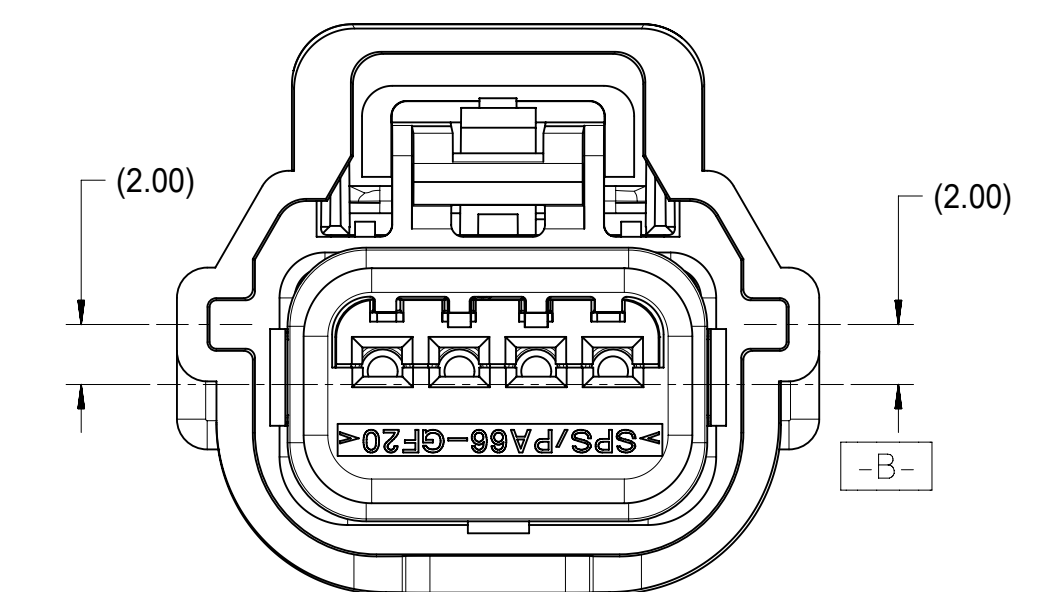
POLARIZATION B



POLARIZATION C



POLARIZATION D

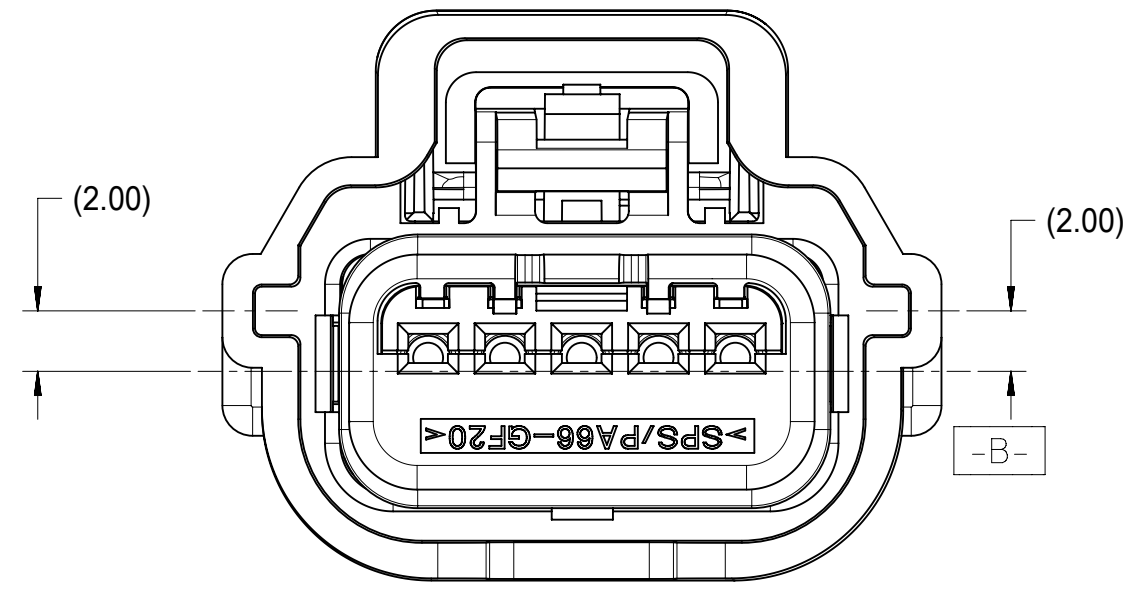


POLARIZATION A

KEY CONFIGURATIONS

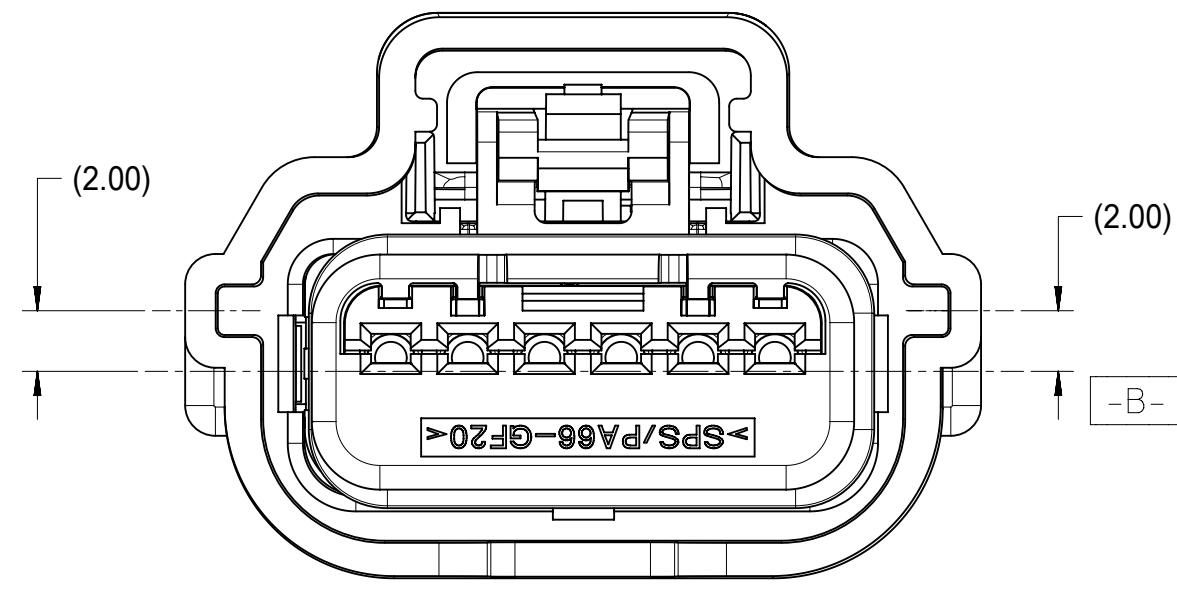
SYMBOLS	THIS DRAWING CONTAINS INFORMATION THAT IS PROPRIETARY TO MOLEX ELECTRONIC TECHNOLOGIES, LLC AND SHOULD NOT BE USED WITHOUT WRITTEN PERMISSION		CURRENT REV DESC:		molex
	DIMENSION UNITS	SCALE			
▽ = 0	mm	1:1			0.64 USCAR CONNECTOR SEALED SINGLE ROW ASSEMBLY
▽ = 0	GENERAL TOLERANCES (UNLESS SPECIFIED)				PRODUCT CUSTOMER DRAWING
▽ = 0	ANGULAR TOL ± 3.0°				DOCUMENT NUMBER
▽ = 0	4 PLACES ±		EC NO: 629240	2019/12/16	SD-31402-211
▽ = 0	3 PLACES ±		DRWN: PZHANG71	2019/12/31	DOC TYPE
▽ = 0	2 PLACES ± 0.13		APP: JDENG02	2020/01/02	DOC PART
▽ = 0	1 PLACE ± 0.3		INITIAL REVISION:		REVISION
▽ = 0	0 PLACES ±		DRWN: RCARLSON	2004/03/01	U4
▽ = 0	DRAFT WHERE APPLICABLE MUST REMAIN WITHIN DIMENSIONS		APP: PBERG	2004/09/30	
▽ = 0	THIRD ANGLE PROJECTION		DRAWING	SERIES	MATERIAL NUMBER
	D-SIZE		31402	CUSTOMER	SHEET NUMBER
			GENERAL MARKET		4 OF 8

1X5

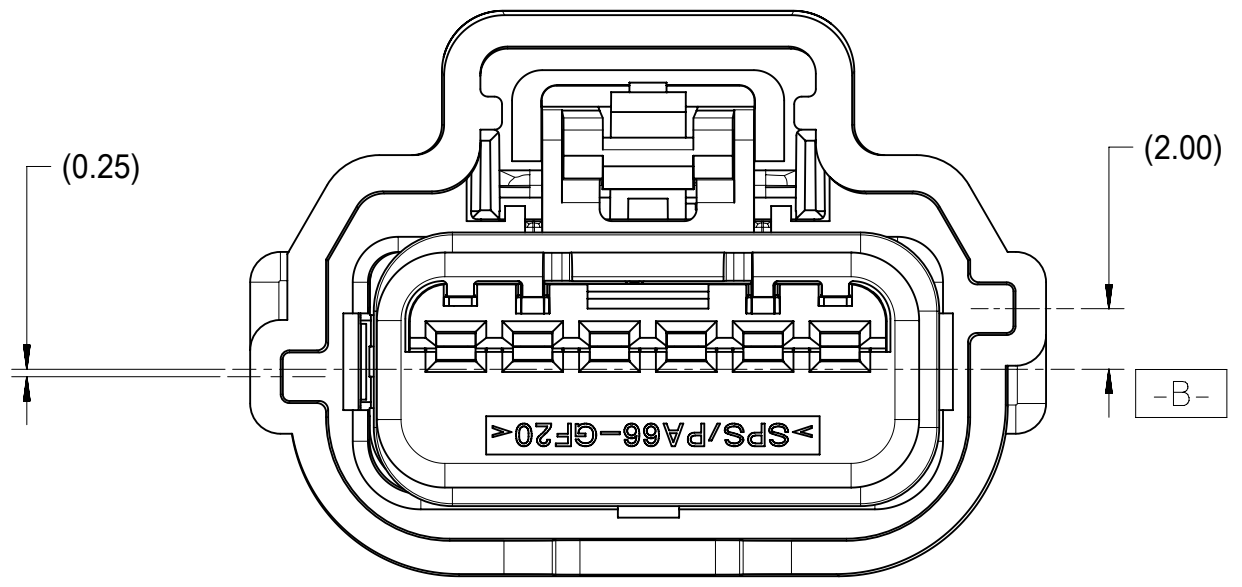


POLARIZATION A

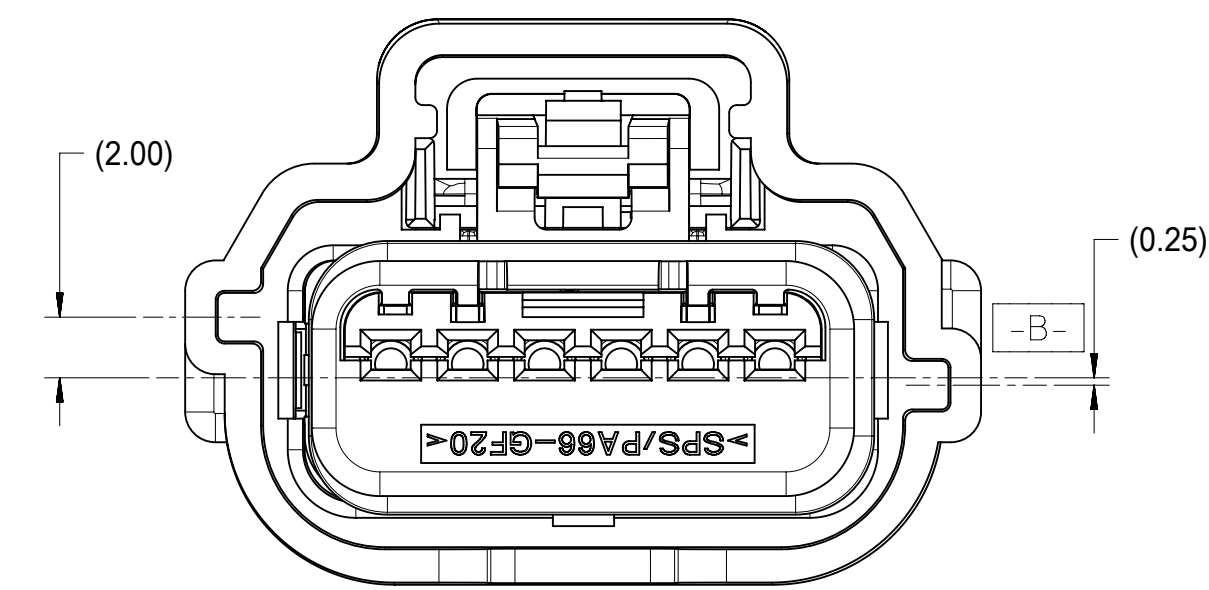
1X6



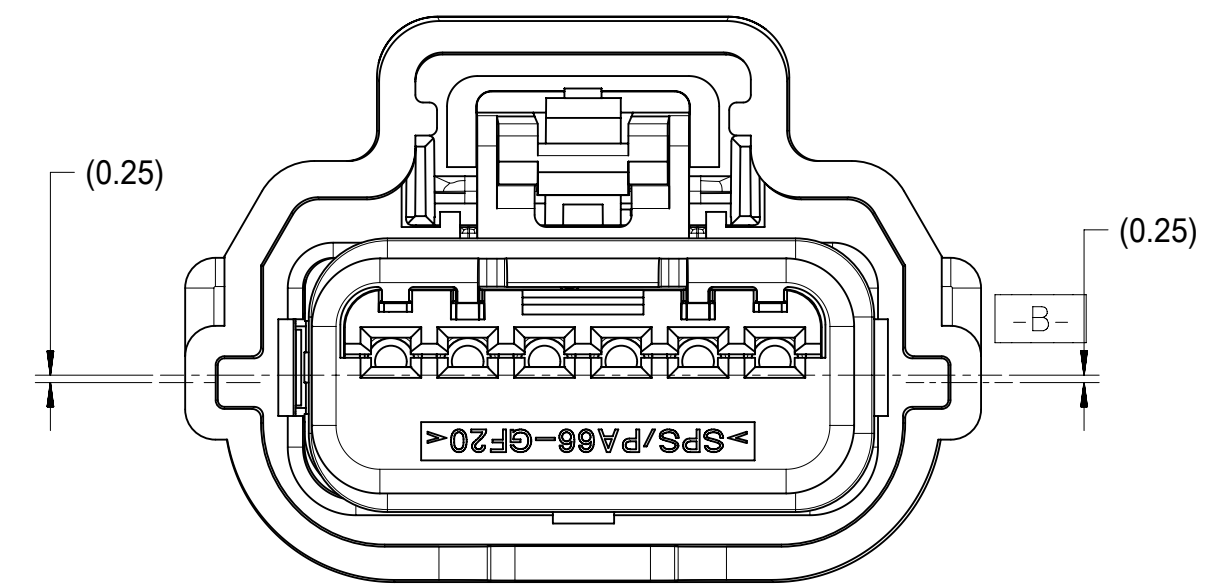
POLARIZATION A



POLARIZATION B

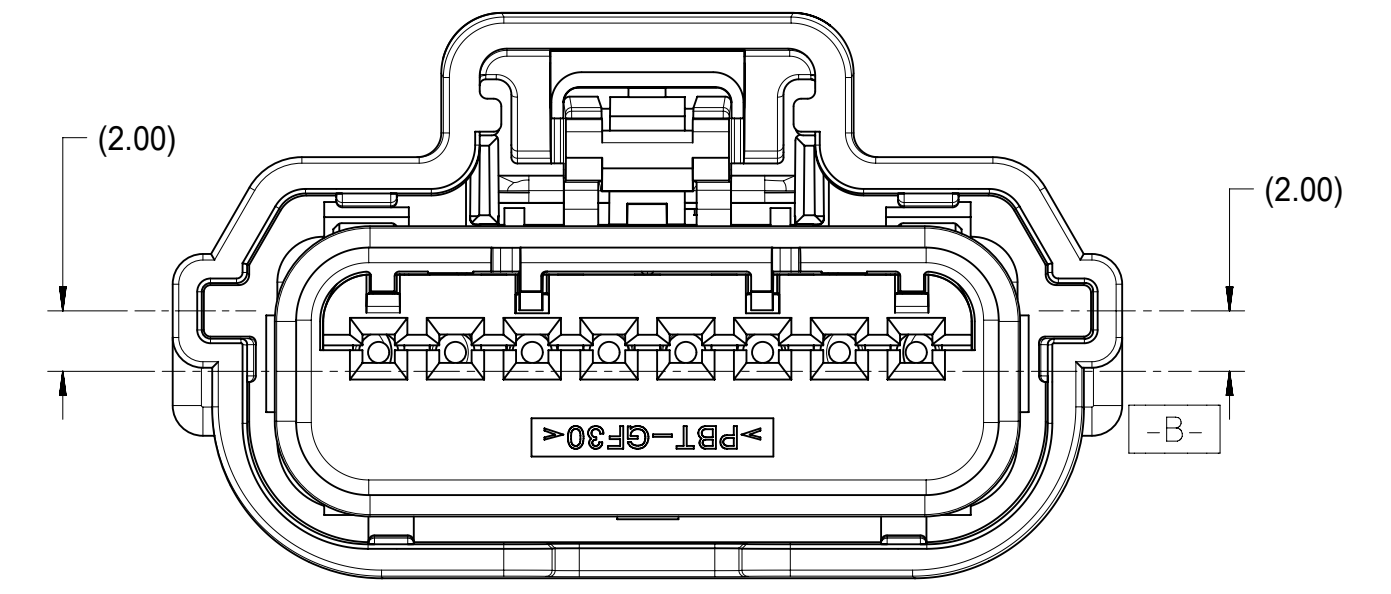


POLARIZATION C

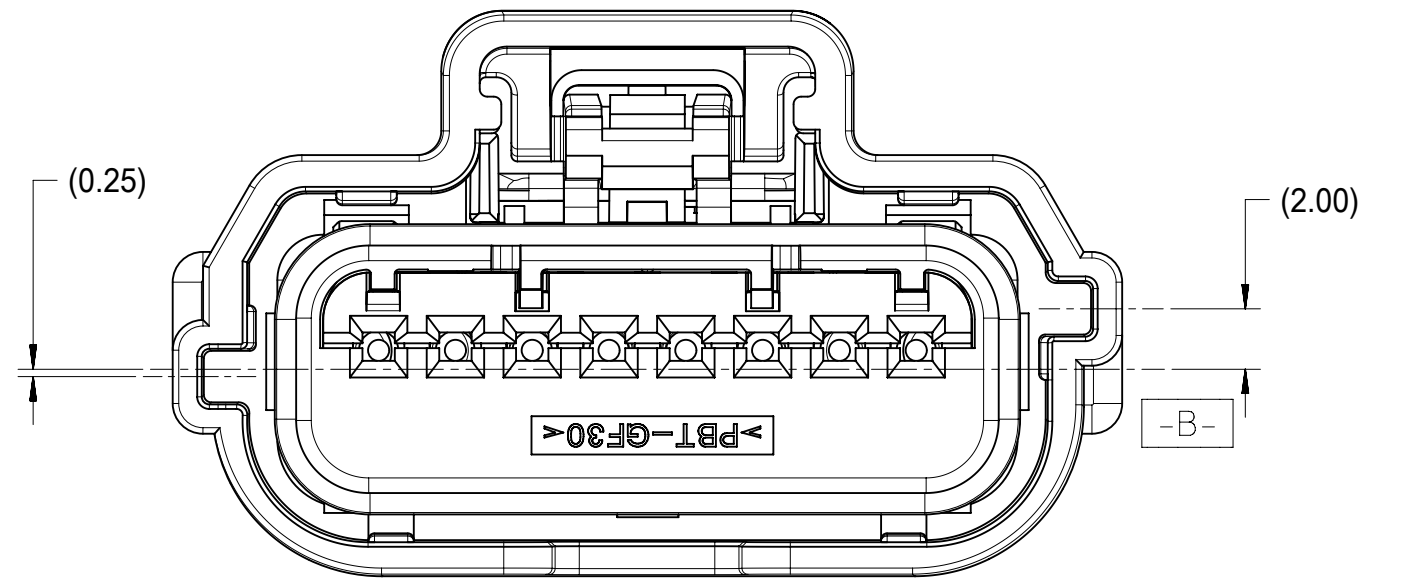


POLARIZATION D

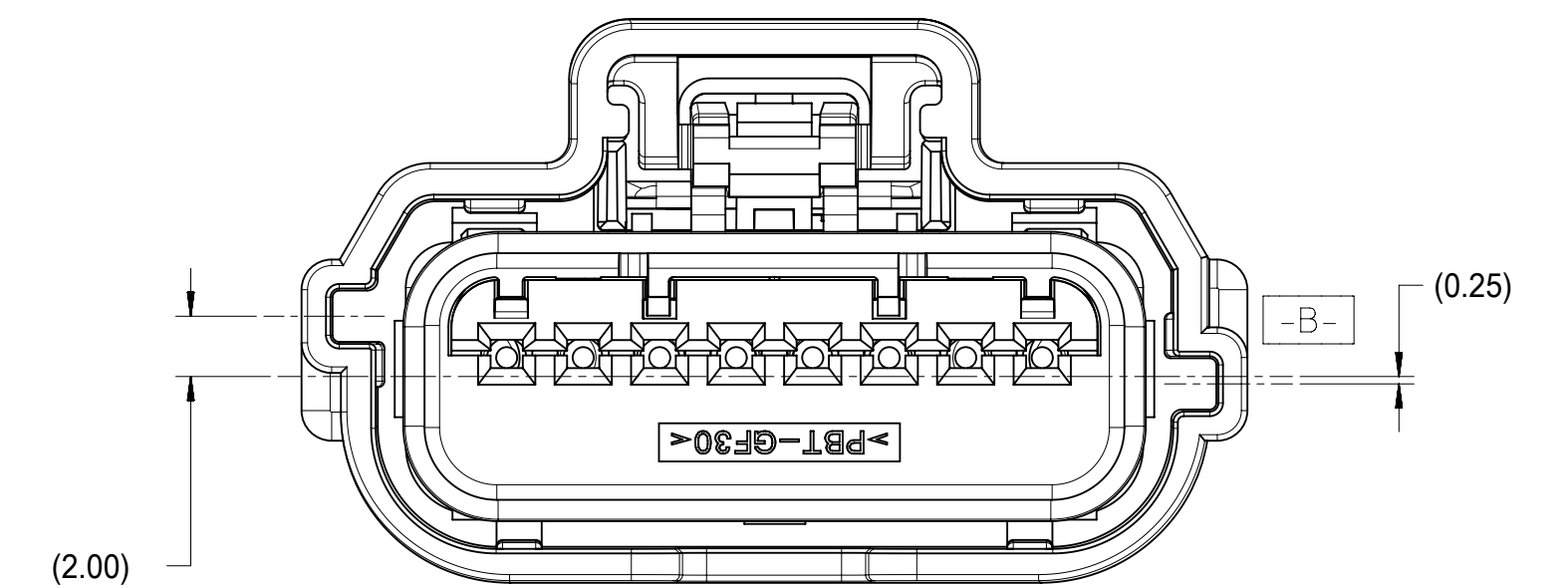
1X8



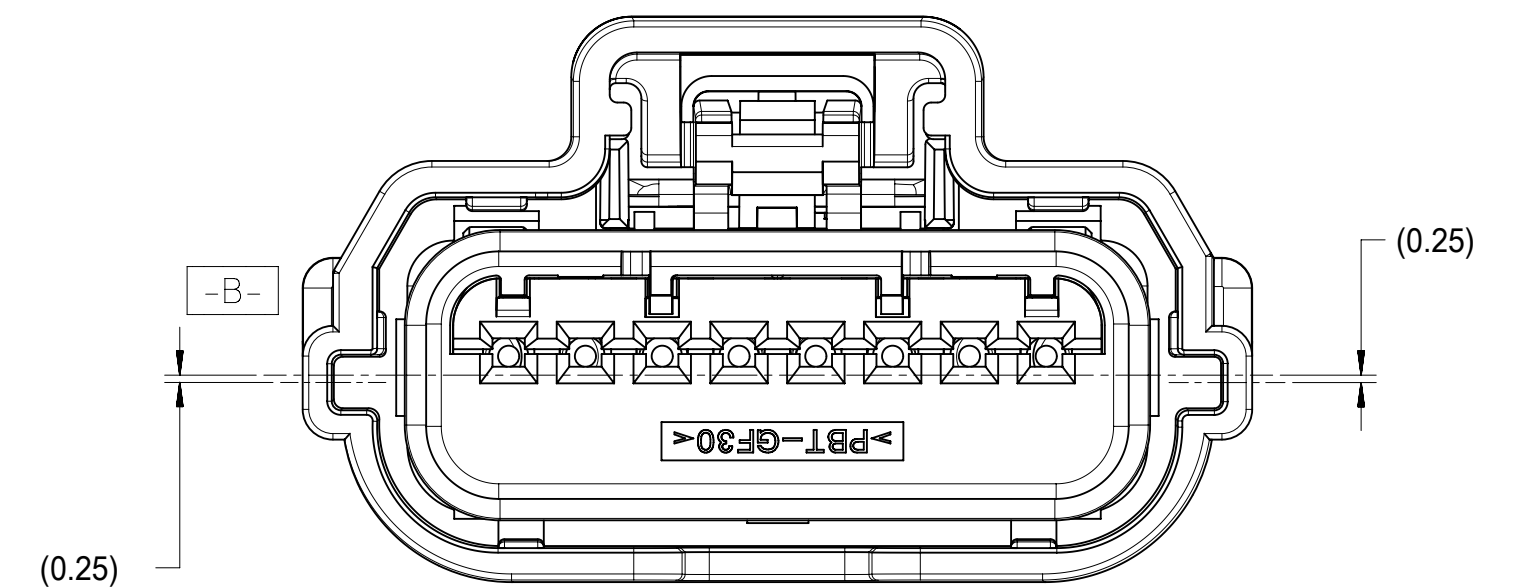
POLARIZATION A



POLARIZATION B



POLARIZATION C



POLARIZATION D

KEY CONFIGURATIONS

SYMBOLS = 0 = 0 = 0 = 0 = 0 = 0 = 0 = 0 = 0 = 0 = 0 = 0	THIS DRAWING CONTAINS INFORMATION THAT IS PROPRIETARY TO MOLEX ELECTRONIC TECHNOLOGIES, LLC AND SHOULD NOT BE USED WITHOUT WRITTEN PERMISSION		CURRENT REV DESC:					
	DIMENSION UNITS: mm SCALE: 1:1	GENERAL TOLERANCES (UNLESS SPECIFIED) ANGULAR TOL ± 3.0° 4 PLACES ± 3 PLACES ± 2 PLACES ± 0.13 1 PLACE ± 0.3 0 PLACES ±		EC NO: 629240 DRWN: PZHANG71 2019/12/16 CHK'D: CDZHANG 2019/12/31 APPR: JDENG02 2020/01/02 INITIAL REVISION: DRWN: RCARLSON 2004/03/01 APPR: PBERG 2004/09/30		0.64 USCAR CONNECTOR SEALED SINGLE ROW ASSEMBLY		
DRAFT WHERE APPLICABLE MUST REMAIN WITHIN DIMENSIONS					THIRD ANGLE PROJECTION	DRAWING: D-SIZE SERIES: 31402	PRODUCT CUSTOMER DRAWING	
DOCUMENT STATUS: P1 RELEASE DATE: 2020/01/02 02:35:41		MATERIAL NUMBER: SD-31402-211 CUSTOMER: GENERAL MARKET		DOC TYPE: PSD DOC PART: 001 REVISION: U4		SHEET NUMBER: 5 OF 8		

PART NUMBER WITHOUT CPA	PART NUMBER WITH CPA	CLIPSLOT OPTION	ROW/ CIRCUITS	KEY*	MATTE SEAL COLOR	PERIMETER SEAL COLOR	CONNECTOR COLOR	WIDTH DIM (A)	MIN. PASS THRU DIA.	FEMALE TERMINAL SUPPLIER	USCAR FOOTPRINT DRAWING NO.	STATUS									
31402-2100	31402-2110	NO	1 X 2	A	ROYAL BLUE	BLUE	BLACK	16.88	(20.80)	TYCO OR MOLEX GET 0.64	064-S-002-1-Z02	SALEABLE									
31402-2200	31402-2210			B								GRAY	SALEABLE								
31402-2500	31402-2510			B								BLACK	SALEABLE								
31402-2600	31402-2610			C								BLACK	SALEABLE								
31402-2700	31402-2710			D								BLACK	SALEABLE								
31403-2000	31403-2010			D								DK. GRAY	SALEABLE								
31403-2100	31403-2110			A								BLACK	SALEABLE								
31403-2200	31403-2210			B								GRAY	SALEABLE								
31403-2500	31403-2510			B						BLACK		SALEABLE									
31403-2600	31403-2610			C						BLACK		SALEABLE									
31403-2700	31403-2710			D						BLACK		SALEABLE									
31403-2800	31403-2810			C						NATURAL		SALEABLE									
31403-2900	31403-2910			D						GRAY		SALEABLE									
31404-2100	31404-2110			A						BLACK		NOT TOOLED									
31404-2200	31404-2210			B						GRAY		NOT TOOLED									
31404-2300	31404-2310			C						BROWN		NOT TOOLED									
31404-2400	31404-2410			D						GREEN		NOT TOOLED									
31404-2500	31404-2510			B						BLACK		NOT TOOLED									
31404-2600	31404-2610			C						BLACK		NOT TOOLED									
31404-2700	31404-2710			D						BLACK		NOT TOOLED									
31402-3100	31402-3110			NO						1 X 3		A	LIGHT BLUE	RUST RED	BLACK	18.70	(22.00)	TYCO OR MOLEX GET 0.64	064-S-003-1-Z01	SALEABLE	
31402-3200	31402-3210											B								GRAY	SALEABLE
31402-3500	31402-3510											B								BLACK	SALEABLE
31402-3600	31402-3610											C								BLACK	SALEABLE
31402-3700	31402-3710											D								BLACK	SALEABLE
31403-3000	31403-3010											D								DK. GRAY	SALEABLE
31403-3100	31403-3110											A								BLACK	SALEABLE
31403-3200	31403-3210											B								GRAY	SALEABLE
31403-3500	31403-3510	B	BLACK		SALEABLE																
31403-3600	31403-3610	C	BLACK		SALEABLE																
31403-3700	31403-3710	D	BLACK		SALEABLE																
31403-3800	31403-3810	C	NATURAL		SALEABLE																
31404-3100	31404-3110	A	BLACK		SALEABLE																
31404-3200	31404-3210	B	GRAY		SALEABLE																
31404-3500	31404-3510	B	BLACK		SALEABLE																
31404-3600	31404-3610	C	BLACK		SALEABLE																
31404-3700	31404-3710	D	BLACK		SALEABLE																
31402-4100	31402-4110	NO	1 X 4		A	TBD	TBD	BLACK	21.25		(22.34)	TYCO OR MOLEX GET 0.64						064-S-004-1-Z02		NOT TOOLED	
31402-4200	31402-4210				B															GRAY	NOT TOOLED
31402-4300	31402-4310				C															BROWN	NOT TOOLED
31402-4400	31402-4410				D															GREEN	NOT TOOLED
31402-4500	31402-4510				B															BLACK	NOT TOOLED
31402-4600	31402-4610				C															BLACK	NOT TOOLED
31402-4700	31402-4710				D															BLACK	NOT TOOLED
31403-4100	31403-4110				A															BLACK	NOT TOOLED
31403-4200	31403-4210				B							GRAY								NOT TOOLED	
31403-4300	31403-4310				C							BROWN								NOT TOOLED	
31403-4400	31403-4410				D							GREEN								NOT TOOLED	
31403-4500	31403-4510			B	BLACK					NOT TOOLED											
31403-4600	31403-4610			C	BLACK					NOT TOOLED											
31403-4700	31403-4710			D	BLACK					NOT TOOLED											
31404-4100	31404-4110			A	BLACK					NOT TOOLED											
31404-4200	31404-4210			B	GRAY					NOT TOOLED											
31404-4300	31404-4310			C	BROWN					NOT TOOLED											
31404-4400	31404-4410			D	GREEN					NOT TOOLED											
31404-4500	31404-4510			B	BLACK					NOT TOOLED											
31404-4600	31404-4610			C	BLACK					NOT TOOLED											
31404-4700	31404-4710			D	BLACK					NOT TOOLED											
31402-2100	31402-2110			NO	1 X 2					A		ROYAL BLUE	BLUE	BLACK	16.88	(20.80)	MOLEX 0.64		064-S-002-1-Z02	SALEABLE	
31402-2200	31402-2210									B										GRAY	SALEABLE
31402-2500	31402-2510									B										BLACK	SALEABLE
31402-2600	31402-2610									C										BLACK	SALEABLE
31402-2700	31402-2710									D										BLACK	SALEABLE
31403-2000	31403-2010									D										DK. GRAY	SALEABLE
31403-2100	31403-2110									A										BLACK	SALEABLE
31403-2200	31403-2210	B	GRAY			SALEABLE															
31403-2500	31403-2510	B	BLACK			SALEABLE															
31403-2600	31403-2610	C	BLACK			SALEABLE															
31403-2700	31403-2710	D	BLACK			SALEABLE															
31403-2800	31403-2810	C	NATURAL			SALEABLE															
31403-2900	31403-2910	D	GRAY			SALEABLE															
31404-2100	31404-2110	A	BLACK			NOT TOOLED															
31404-2200	31404-2210	B	GRAY			NOT TOOLED															
31404-2300	31404-2310	C	BROWN			NOT TOOLED															
31404-2400	31404-2410	D	GREEN			NOT TOOLED															
31404-2500	31404-2510	B	BLACK			NOT TOOLED															
31404-2600	31404-2610	C	BLACK			NOT TOOLED															
31404-2700	31404-2710	D	BLACK			NOT TOOLED															
31402-3100	31402-3110	NO	1 X 3			A	LIGHT BLUE	RUST RED	BLACK	18.70	(22.00)						MOLEX 0.64	064-S-003-1-Z01		SALEABLE	
31402-3200	31402-3210					B														GRAY	SALEABLE
31402-3500	31402-3510					B														BLACK	SALEABLE
31402-3600	31402-3610					C														BLACK	SALEABLE
31402-3700	31402-3710					D														BLACK	SALEABLE
31403-3000	31403-3010					D														DK. GRAY	SALEABLE
31403-3100	31403-3110					A														BLACK	SALEABLE
31403-3200	31403-3210					B														GRAY	SALEABLE
31403-3500	31403-3510			B	BLACK	SALEABLE															
31403-3600	31403-3610			C	BLACK	SALEABLE															
31403-3700	31403-3710			D	BLACK	SALEABLE															
31403-3800	31403-3810			C	NATURAL	SALEABLE															
31404-3100	31404-3110			A	BLACK	SALEABLE															
31404-3200	31404-3210			B	GRAY	SALEABLE															
31404-3500	31404-3510			B	BLACK	SALEABLE															
31404-3600	31404-3610			C	BLACK	SALEABLE															
31404-3700	31404-3710			D	BLACK	SALEABLE															
31402-4100	31402-4110			NO	1 X 4	A						TBD	TBD	BLACK	21.25	(22.34)	MOLEX 0.64		064-S-004-1-Z02	NOT TOOLED	
31402-4200	31402-4210					B														GRAY	NOT TOOLED
31402-4300	31402-4310					C														BROWN	NOT TOOLED
31402-4400	31402-4410					D														GREEN	NOT TOOLED
31402-4500	31402-4510					B														BLACK	NOT TOOLED
31402-4600	31402-4610					C														BLACK	NOT TOOLED
31402-4700	31402-4710					D														BLACK	NOT TOOLED
31403-4100	31403-4110					A														BLACK	NOT TOOLED
31403-4200	31403-4210					B											GRAY			NOT TOOLED	
31403-4300	31403-4310					C											BROWN			NOT TOOLED	
31403-4400	31403-4410					D											GREEN			NOT TOOLED	
31403-4500	31403-4510	B	BLACK			NOT TOOLED															
31403-4600	31403-4610	C	BLACK			NOT TOOLED															
31403-4700	31403-4710	D	BLACK			NOT TOOLED															
31404-4100	31404-4110	A	BLACK			NOT TOOLED															
31404-4200	31404-4210	B	GRAY			NOT TOOLED															
31404-4300	31404-4310	C	BROWN			NOT TOOLED															
31404-4400	31404-4410	D	GREEN			NOT TOOLED															
31404-4500	31404-4510	B	BLACK			NOT TOOLED															
31404-4600	31404-4610	C	BLACK			NOT TOOLED															
31404-4700	31404-4710	D	BLACK			NOT TOOLED															
31402-2100	31402-2110	NO	1 X 2			A	ROYAL BLUE	BLUE	BLACK	16.88	(20.80)						YAZAKI KAIZEN 0.64 TE GEN Y 0.64 JST AIT 0.64	064-S-002-1-Z02		NOT TOOLED	
31402-2200	31402-2210					B														GRAY	NOT TOOLED
31402-2500	31402-2510					B														BLACK	NOT TOOLED
31402-2600	31402-2610					C														BLACK	NOT TOOLED
31402-2700	31402-2710					D														BLACK	NOT TOOLED
31403-2000	31403-2010					D														DK. GRAY	NOT TOOLED
31403-2100	31403-2110					A														BLACK	NOT TOOLED
31403-2200	31403-2210			B	GRAY	NOT TOOLED															
31403-2500	31403-2510			B	BLACK	NOT TOOLED															
31403-2600	31403-2610			C	BLACK	NOT TOOLED															
31403-2700	31403-2710			D	BLACK	NOT TOOLED															
31403-2800	31403-2810			C	NATURAL	NOT TOOLED															
31403-2900	31403-2910			D	GRAY	NOT TOOLED															
31404-2100	31404-2110			A	BLACK	NOT TOOLED															
31404-2200	31404-2210			B	GRAY	NOT TOOLED															
31404-2300	31404-2310			C	BROWN	NOT TOOLED															
31404-2400	31404-2410			D	GREEN	NOT TOOLED															
31404-2500	31404-2510			B	BLACK	NOT TOOLED															
31404-2600	31404-2610			C	BLACK	NOT TOOLED															
31404-2700	31404-2710			D	BLACK	NOT TOOLED															

SYMBOLS = 0 = 0 = 0 = 0 = 0 = 0 = 0 = 0 = 0	THIS DRAWING CONTAINS INFORMATION THAT IS PROPRIETARY TO MOLEX ELECTRONIC TECHNOLOGIES, LLC AND SHOULD NOT BE USED WITHOUT WRITTEN PERMISSION		CURRENT REV DESC:		 0.64 USCAR CONNECTOR SEALED SINGLE ROW ASSEMBLY PRODUCT CUSTOMER DRAWING DOCUMENT NUMBER: SD-31402-211 DOC TYPE: PSD DOC PART: 001 REVISION: U4
	DIMENSION UNITS: mm	SCALE: 1:1	EC NO: 629240		
	GENERAL TOLERANCES (UNLESS SPECIFIED)		DRWN: PZHANG71 2019/12/16		
	ANGULAR TOL ± 3.0°		CHK'D: CDZHANG 2019/12/31		
	4 PLACES ±		APPR: JDENG02 2020/01/02		
	3 PLACES ±		INITIAL REVISION:		
	2 PLACES ± 0.13		DRWN: RCARLSON 2004/03/01		
	1 PLACE ± 0.3		2004/09/30		
	0 PLACES ±		APPR: PBERG		
	DRAFT WHERE APPLICABLE MUST REMAIN WITHIN DIMENSIONS		THIRD ANGLE PROJECTION	DRAWING: D-SIZE	

ADDITIONAL CAVITY PLUG CONFIGURATIONS:

ROW/ CIRCUITS	FEMALE TERMINAL	MOLEX P/N WITH CPA	MOLEX P/N WITHOUT CPA	KEY OPTION	CLIPSLOT OPTION	COLOR	CIRCUIT NUMBER: "0" INDICATED PLUG LOCATION						TOTAL CIRCUITS PLUGGED	STATUS
							1	2	3	4	5	6		
1X6	TYCO/MOLEX GET	31402-6110	31402-6100	A	NO	BLACK							0	SALEABLE
		31402-6111	31402-6101	A	NO	BLACK	0	0	0	0	0	0	6	SALEABLE
		31402-6112	31402-6102	A	NO	BLACK	0	0					2	SALEABLE
		31402-6113	31402-6103	A	NO	BLACK		0					1	SALEABLE
		31402-6114	31402-6104	A	NO	BLACK	0	0	0	0			4	SALEABLE
		31402-6115	31402-6105	A	NO	BLACK			0		0	0	3	SALEABLE
		31402-6118	31402-6108	A	NO	BLACK					0		1	SALEABLE
		31402-6119	31402-6109	A	NO	BLACK			0				1	SALEABLE
		31402-6131	31402-6121	A	NO	BLACK				0			1	SALEABLE
		31402-6150	31402-6140	A	YES	BLACK							0	SALEABLE
		31402-6211	31402-6201	B	NO	GRAY	0	0	0	0	0	0	6	SALEABLE
	31402-6511	31402-6501	B	NO	BLACK	0	0	0	0	0	0	6	SALEABLE	
	31402-6611	31402-6601	C	NO	BLACK	0	0	0	0	0	0	6	SALEABLE	
	31402-6711	31402-6701	D	NO	BLACK	0	0	0	0	0	0	6	SALEABLE	
	MOLEX 0.64	31403-6110	31403-6100	A	NO	BLACK							0	SALEABLE
		31403-6111	31403-6101	A	NO	BLACK	0	0	0	0	0	0	6	SALEABLE
		31403-6112	31403-6102	A	NO	BLACK			0				1	SALEABLE
		31403-6113	31403-6103	A	NO	BLACK	0	0	0		0		4	SALEABLE
		31403-6114	31403-6104	A	NO	BLACK					0	0	2	SALEABLE
		31403-6211	31403-6201	B	NO	GRAY	0	0	0	0	0	0	6	SALEABLE
		31403-6212	31403-6202	B	NO	GRAY				0	0	0	3	SALEABLE
		31403-6511	31403-6501	B	NO	BLACK	0	0	0	0	0	0	6	SALEABLE
		31403-6611	31403-6601	C	NO	BLACK	0	0	0	0	0	0	6	SALEABLE
		31403-6711	31403-6701	D	NO	BLACK	0	0	0	0	0	0	6	SALEABLE
		YAZAKI KAIZEN 0.64 TE GEN Y 0.64 JST AIT 0.64	31404-7110	31404-7100	A	NO	BLACK							0
	31404-7111		31404-7101	A	NO	BLACK	0	0	0	0	0	0	6	SALEABLE
	31404-7112		31404-7102	A	NO	BLACK	0		0				2	SALEABLE
	31404-7113		31404-7103	A	NO	BLACK	0					0	2	SALEABLE
	31404-7116		31404-7106	A	NO	BLACK						0	1	SALEABLE
	31404-7117		31404-7107	A	NO	BLACK	0		0			0	3	SALEABLE
	31404-7118		31404-7108	A	NO	BLACK	0						1	SALEABLE
	31404-7119		31404-7109	A	NO	BLACK			0		0	0	3	SALEABLE
	31404-7132		31404-7122	A	NO	BLACK			0				1	SALEABLE
31404-7133	31404-7123		A	NO	BLACK		0					1	SALEABLE	
31404-7134	31404-7124		A	NO	BLACK				0		0	2	SALEABLE	
31404-7135	31404-7125	A	NO	BLACK		0		0			2	SALEABLE		
31404-7136	31404-7126	A	NO	BLACK				0	0		2	SALEABLE		
31404-7213	31404-7203	B	NO	GRAY	0					0	2	SALEABLE		
31404-7214	31404-7204	B	NO	GRAY						0	1	SALEABLE		
31404-7215	31404-7205	B	NO	GRAY		0					1	SALEABLE		
31404-7216	31404-7206	B	NO	GRAY		0			0	0	3	SALEABLE		
31404-7812	31404-7802	C	NO	NATURAL				0	0	0	3	SALEABLE		
31404-7813	31404-7803	C	NO	NATURAL	0						1	SALEABLE		
31404-7814	31404-7804	C	NO	NATURAL	0			0	0		3	SALEABLE		
31404-7912	31404-7902	D	NO	GRAY	0						1	SALEABLE		
31404-7913	31404-7903	D	NO	GRAY		0		0			2	SALEABLE		
1X3	TYCO/MOLEX GET	31402-3113	31402-3103	A	NO	BLACK			0				1	SALEABLE
		31402-3114	31402-3104	A	NO	BLACK	0						1	SALEABLE
		31402-3115	31402-3105	A	NO	BLACK		0					1	SALEABLE
	MOLEX 0.64	31403-3132	31403-3122	A	NO	GRAY		0					1	SALEABLE
		YAZAKI KAIZEN 0.64, TE GEN Y 0.64, JST AIT 0.64	31404-3112	31404-3102	A	NO	BLACK		0					1

(S)

(T4)

(T4)

(T4)

(T4)

(T4)

(T4)

(T4)

(T4)

(T5)

(T6)

(T7)

(U2)

(T6)

(T7)

(T6)

(T8)

(T5)

(T7)

(T4)

(U1)

(P)

(R)

SYMBOLS	THIS DRAWING CONTAINS INFORMATION THAT IS PROPRIETARY TO MOLEX ELECTRONIC TECHNOLOGIES, LLC AND SHOULD NOT BE USED WITHOUT WRITTEN PERMISSION		CURRENT REV DESC:		molex
	DIMENSION UNITS	SCALE			
▽ = 0	mm	1:1			0.64 USCAR CONNECTOR SEALED SINGLE ROW ASSEMBLY
▽ = 0	GENERAL TOLERANCES (UNLESS SPECIFIED)				
▽ = 0	ANGULAR TOL ± 3.0°		EC NO: 629240		PRODUCT CUSTOMER DRAWING
▽ = 0	4 PLACES ±		DRWN: PZHANG71 2019/12/16		
▽ = 0	3 PLACES ±		CHK'D: CDZHANG 2019/12/31		DOCUMENT NUMBER
▽ = 0	2 PLACES ± 0.13		APPR: JDENG02 2020/01/02		
▽ = 0	1 PLACE ± 0.3		INITIAL REVISION:		SD-31402-211
▽ = 0	0 PLACES ±		DRWN: RCARLSON 2004/03/01		
■ = 0	DRAFT WHERE APPLICABLE MUST REMAIN WITHIN DIMENSIONS		APPR: PBERG 2004/09/30		DOC TYPE
▽ = 0	THIRD ANGLE PROJECTION		DRAWING		DOC PART
			D-SIZE		REVISION
			SERIES		
			31402		
			MATERIAL NUMBER		
			CUSTOMER		
			GENERAL MARKET		
			SHEET NUMBER		
			8 OF 8		