

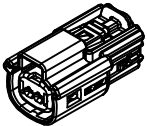
TABLE OF CONTENTS	
SHEET NO.	SHEET DESCRIPTION
1	NOTES AND BOM
2	CONFIGURATIONS
3-4	KEY CONFIGURATIONS
5	RECEPTACLE CONNECTOR ASSEMBLY
6	BACKSHELL NOTES
7	BACKSHELL
8	BACKSHELL CONFIGURATIONS

NOTES: VALID UNLESS OTHERWISE SPECIFIED

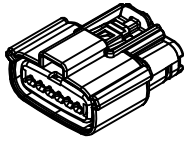
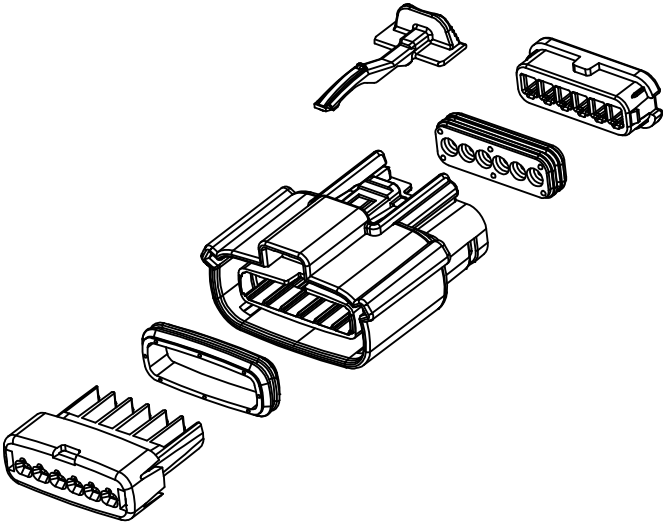
1. GENERAL:
- a. APPLICATION SPECIFICATION SEE: AS-33472-100
 -CONTAINS: PRODUCT INTRODUCTION, PRODUCT SUMMARY, CONNECTOR ASSEMBLY, PACKAGING INFORMATION, CONNECTOR MATING, SERVICE INSTRUCTIONS, ELECTRICAL CONTINUITY CHECKING, CRIMPING, AND TROUBLESHOOTING.
 -DESIGNED TO MATE WITH DEVICE OR CONNECTOR AS SPECIFIED IN THE MATING INTERFACE/CONNECTOR DRAWINGS CHART.
 *DENOTES DRAWINGS THAT CAN BE ACCESSED AT <http://ewcap.uscarteams.org/>.
 -ASSEMBLY SHIPPED WITH PLR IN PRE-LOCK POSITION (SEE PLR PRE-LOCK VIEW SHEET 5).
- b. PRODUCT SPECIFICATION SEE:
 -STANDARD CONFIGURATION: PS-33471-000
 -UL V0 CONFIGURATION: PS-160105-0001
 CONTAINS: PRODUCT INTRODUCTION, PRODUCT SUMMARY, RATINGS (CURRENT, TEMPERATURE, SEALING, AND FLAMMABILITY), TERMINALS, WIRE DIAMETER RANGE, PRODUCT VALIDATION, AND PRODUCT DEVIATIONS.
- c. PACKAGING SPECIFICATION PER MOLEX DRAWING; SEE PACKAGING CHART
- d. PARTS MUST BE IN COMPLIANCE TO MOLEX CHEMICAL SUBSTANCES FOR PRODUCTS AND PACKAGING SPECIFICATION: OEHS-699000-301
- e. DATA MUST BE SUBMITTED UNDER THE MOLEX PART NUMBER TO IMDS (COMPANY ID#13255)
2. DESIGN - MATERIALS:
- a. FOR BILL OF MATERIALS SEE:
 -STANDARD CONFIGURATION SD-33471-0002
 -UL V0 CONFIGURATION SD-160105-0002
3. DESIGN - GEOMETRY:
- a. THE 3-D CAD DATA IS BASIC (WITHOUT TOLERANCE) AND MASTER FOR THIS PART WITH THE EXCEPTION OF UNDERLINED DIMENSIONS. DIMENSIONAL INFORMATION NOT SHOWN ON THIS DRAWING IS DEFINED BY THE DATA FILE AT ITS LATEST REVISION.
- b. GEOMETRIC DIMENSIONS AND TOLERANCES PER ASME Y14.5M-2009
- c. EDGES AND UNDIMENSIONED DETAILS PER ISO13715
- d. CORNERS SHOWN AS SHARP TO BE R 0.2 MAX.
- e. LETTERING SHALL BE 0.15 MAX RAISED IN 0.25 MAX RECESS PAD. THIS INCLUDES RECYCLING CODE, CAVITY ID, VENDOR IDENTIFICATION, AND CUSTOMER MATERIAL NUMBER.
- f. VISUAL DEFECTS SHALL MEET COSMETIC STANDARD PS-45499-002 (Class B).
- g. LASER MARKING:
 1. PART NUMBER
 2. DAY OF THE YEAR
 3. SHIFT
 4. YEAR
 FOR ADDITIONAL INFORMATION SEE SECTION 5 UNDER PROCEDURES IN ES-34735-008.

PACKAGING	
DESCRIPTION	DRAWING NO.
1X2	PK-31300-635
1X6	PK-31300-903

MATING INTERFACE/CONNECTOR DRAWINGS		
DESCRIPTION	INTERFACE DEFINITION	MOLEX INLINE
1X2	*150-S-002-1-Z05	SD-33481-0001
1X6	*150-S-006-1-Z03	SD-33481-0001



1x2

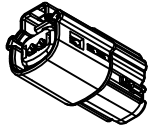


1x6

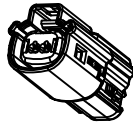
INSPECTION NUMBER LOG	2	MINOR GEOMETRY CHANGE FOR UL V0
LAST NUMBER: 11	1	UPDATE VIEWSETS
ADDED: 11		INITIAL RELEASE
REMOVED:		
REV		REV DESCRIPTION

ENTER DESCRIPTION EEC NO: UAU2016-1641 DRWN:BTANG 2016/05/10 CHKD: APPR:KDEKOSKI 2016/06/14	DIMENSION STYLE MM ONLY	DRAWN BY DATE APROFFITT 2015/11/04	TITLE MX150 RCPT SINGLE ROW SEALED ASSY MAT SEAL	SCALE 1.5:1	DESIGN UNITS METRIC	THIRD ANGLE PROJECTION
		CHECKED BY DATE	MATERIAL NO. SEE NOTE 2a.	DOCUMENT NO. SD-33471-0001	SHEET NO. 1 OF 8	
		APPROVED BY DATE KDEKOSKI 2016/06/14	THIS DRAWING CONTAINS INFORMATION THAT IS PROPRIETARY TO MOLEX AND SHOULD NOT BE USED WITHOUT WRITTEN PERMISSION			
		QUALITY SYMBOLS ∇=0 4 PLACES ± --- ± --- ∇=0 3 PLACES ± --- ± --- ∇=0 2 PLACES ± 0.10 ± --- ∇=0 1 PLACE ± 0.2 ± --- ∇=0 0 PLACE ± --- ± ---	GENERAL TOLERANCES (UNLESS SPECIFIED) mm INCH ANGULAR ± 1 ° DRAFT WHERE APPLICABLE MUST REMAIN WITHIN DIMENSIONS	SEE NOTE 2a.		

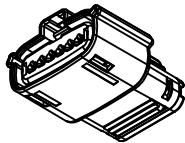
SHEET DESCRIPTION
CONFIGURATIONS



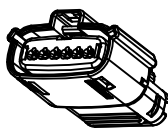
1x2 - STD



1x2 - UL V0*



1x6 - STD



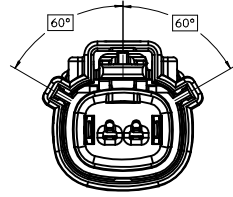
1x6 - UL V0*

*MINOR GEOMETRY DIFFERENCE THAN STANDARD CONFIGURATION
SEE NOTES 1 & 2 FOR MORE INFORMATION

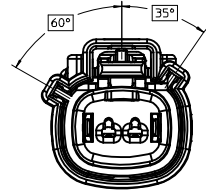
ENTER DESCRIPTION EC NO: UAU2016-1641 DRAWN BY: DRW:NBANG CHKD: APPR:KDEKOSKI DATE: 2016/06/14 REV: A	QUALITY SYMBOLS ▽=0 ▽=0 ▽=0	GENERAL TOLERANCES (UNLESS SPECIFIED) mm INCH 4 PLACES ± --- ± --- 3 PLACES ± --- ± --- 2 PLACES ± 0.10 ± --- 1 PLACE ± 0.2 ± --- 0 PLACE ± --- ± --- ANGULAR ± 1 °	DIMENSION STYLE MM ONLY	SCALE 1.5:1	DESIGN UNITS METRIC	THIRD ANGLE PROJECTION	
	DRAWN BY: APROFFITT DATE: 2015/11/04	CHECKED BY:	DATE:	TITLE MX150 RCPT SINGLE ROW SEALED ASSY MAT SEAL	APPROVED BY: KDEKOSKI DATE: 2016/06/14	MATERIAL NO.	DOCUMENT NO. SD-33471-0001
	DRAFT WHERE APPLICABLE MUST REMAIN WITHIN DIMENSIONS	SEE NOTE 2a.	SHEET NO. 2 OF 8	THIS DRAWING CONTAINS INFORMATION THAT IS PROPRIETARY TO MOLEX INCORPORATED AND SHOULD NOT BE USED WITHOUT WRITTEN PERMISSION			
	SIZE: 1						
	REV: A						

SHEET DESCRIPTION
KEY CONFIGURATIONS

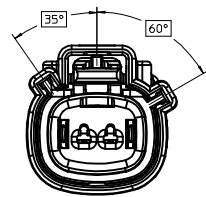
1X2



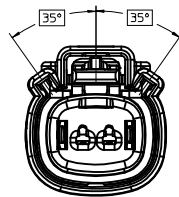
KEY A



KEY B



KEY C

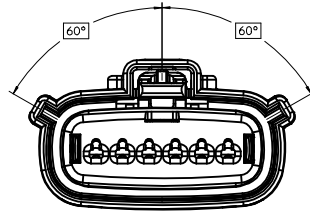


KEY D

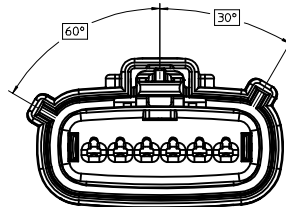
ENTER DESCRIPTION EC NO: UAU2016-1641 DRWN: BTANG 2016/05/10 CHKD: APPR: KDEKOSKI 2016/06/14	QUALITY SYMBOLS ▽=0 ▽=0 ▽=0	GENERAL TOLERANCES (UNLESS SPECIFIED)		DIMENSION STYLE MM ONLY		SCALE 3:1	DESIGN UNITS METRIC	THIRD ANGLE PROJECTION		
		4 PLACES ± --- ± ---	3 PLACES ± --- ± ---	2 PLACES ± 0.10 ± ---	1 PLACE ± 0.2 ± ---	0 PLACE ± --- ± ---	DRAWN BY APROFFITT	DATE 2015/11/04	TITLE MX150 RCPT SINGLE ROW SEALED ASSY MAT SEAL	
		ANGULAR ± 1 °		DRAFT WHERE APPLICABLE MUST REMAIN WITHIN DIMENSIONS		SEE NOTE 2a.	APPROVED BY KDEKOSKI	DATE 2016/06/14	MATERIAL NO.	DOCUMENT NO. SD-33471-0001
		THIS DRAWING CONTAINS INFORMATION THAT IS PROPRIETARY TO MOLEX INCORPORATED AND SHOULD NOT BE USED WITHOUT WRITTEN PERMISSION		SHEET NO. 3 OF 8						

SHEET DESCRIPTION
KEY CONFIGURATIONS CONT.

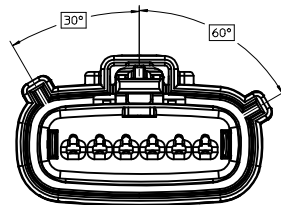
1X6



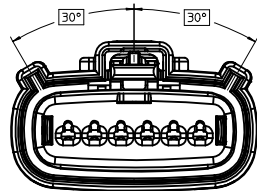
KEY A



KEY B



KEY C



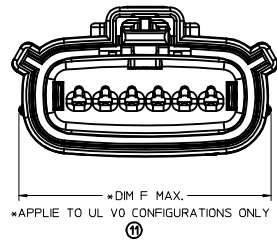
KEY D

ENTER DESCRIPTION EC NO: UAU2016-1641 DWN:ABTANG 2016/05/10 CHKD: APPR:KDEKOSKI 2016/06/14	QUALITY SYMBOLS ▽=0 ▽=0 ▽=0	GENERAL TOLERANCES (UNLESS SPECIFIED)		DIMENSION STYLE MM ONLY		SCALE 3:1	DESIGN UNITS METRIC	THIRD ANGLE PROJECTION		
		4 PLACES ± --- ± ---	3 PLACES ± --- ± ---	2 PLACES ± 0.10 ± ---	1 PLACE ± 0.2 ± ---	0 PLACE ± --- ± ---	DRAWN BY APPROFFITT	DATE 2015/11/04	TITLE MX150 RCPT SINGLE ROW SEALED ASSY MAT SEAL	
		ANGULAR ± 1 °		DRAFT WHERE APPLICABLE MUST REMAIN WITHIN DIMENSIONS		APPROVED BY KDEKOSKI		DATE 2016/06/14	MATERIAL NO. SEE NOTE 2a.	
		DOCUMENT NO. SD-33471-0001		SHEET NO. 4 OF 8		THIS DRAWING CONTAINS INFORMATION THAT IS PROPRIETARY TO MOLEX INCORPORATED AND SHOULD NOT BE USED WITHOUT WRITTEN PERMISSION				

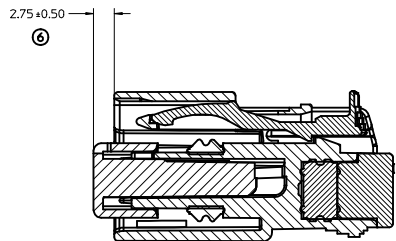
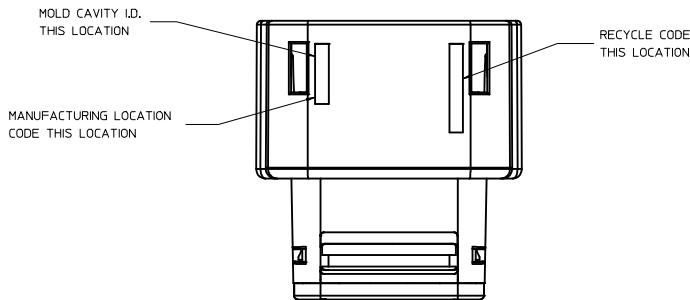
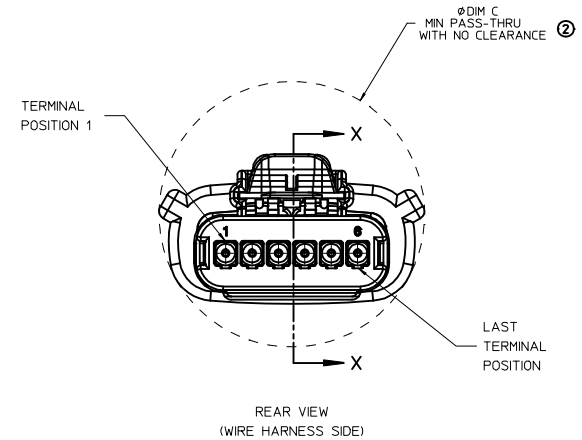
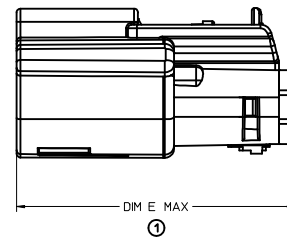
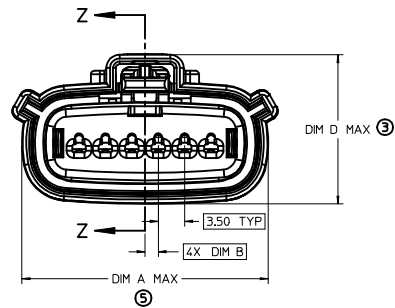
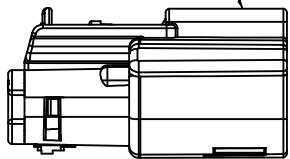
SHEET DESCRIPTION

RECEPTACLE CONNECTOR ASSEMBLY - STD

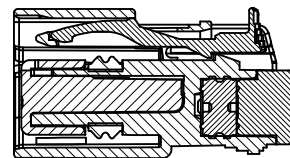
CHARTED DIMENSIONS						
DESCRIPTION	DIMENSIONS					
	A	B	C	D	E	F
1X2	19.40	1.75	21.73	20.55	37.65	19.64
1X6	32.75	1.75	35.21	19.90	37.65	N/A
1X6 UL V0	N/A	1.75	35.23	19.90	37.65	33.64



LASER MARKING ON THIS SURFACE
SEE NOTE 3g.



PRIMARY LOCK REINFORCEMENT (PLR) SHOWN
IN PRE-STAGED POSITION
SECTION Z-Z



PRIMARY LOCK REINFORCEMENT (PLR) SHOWN
IN FINAL-LOCK POSITION
SECTION X-X

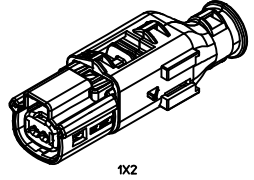
ENTER DESCRIPTION IEC NO: UAU2016-1641 DRAWN BY: DRWINNBTANG CHKD: CHYKJ APPR: KDEKOSKI DATE: 2016/05/10 DATE: 2016/06/14	QUALITY SYMBOLS ∇=0 ∇=1 ∇=2 ∇=3	GENERAL TOLERANCES (UNLESS SPECIFIED)		DIMENSION STYLE MM ONLY		SCALE 3:1	DESIGN UNITS METRIC	THIRD ANGLE PROJECTION		
		4 PLACES ± --- ± ---	3 PLACES ± --- ± ---	2 PLACES ± 0.10 ± ---	1 PLACE ± 0.2 ± ---	0 PLACE ± --- ± ---	DRAWN BY DATE APROFFITT 2015/11/04	TITLE MX150 RCPT SINGLE ROW SEALED ASSY MAT SEAL		
		ANGULAR ± 1° DRAFT WHERE APPLICABLE MUST REMAIN WITHIN DIMENSIONS					APPROVED BY DATE KDEKOSKI 2016/06/14	MATERIAL NO. SEE NOTE 2a.		
		SEE NOTE 2a.					DOCUMENT NO. SD-33471-0001		SHEET NO. 5 OF 8	

THIS DRAWING CONTAINS INFORMATION THAT IS PROPRIETARY TO MOLEX INCORPORATED AND SHOULD NOT BE USED WITHOUT WRITTEN PERMISSION

SHEET DESCRIPTION
BACKSHELL NOTES

BACKSHELL NOTES: VALID UNLESS OTHERWISE SPECIFIED

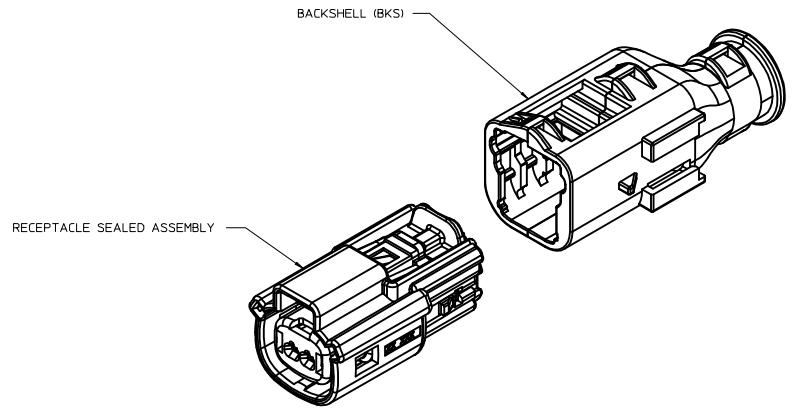
1. GENERAL:
 a. APPLICATION SPECIFICATION SEE: AS-34951-001
 -DESIGNED TO MATE WITH RECEPTACLE SEALED ASSEMBLY SPECIFIED IN MOLEX DRAWING SD-33471-0001.
 -SYSTEM TO BE USED WITH WIRE WITHIN DIAMETER RANGE OF 1.2mm TO 2.69mm.
 -COMPONENTS ARE OPTIONAL AND MUST BE PURCHASED SEPERATELY.
 -BACKSHELL DESIGN IS OWNED BY SCHLEMMER.
 -FOR ADDITIONAL INFORMATION SEE THE BACKSHELL COMPONENT DRAWING SD-34949-0001.



1X2

BACKSHELL CUSTOMER MODEL NUMBER LEGEND

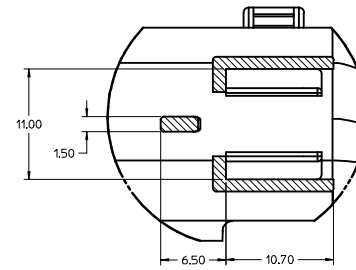
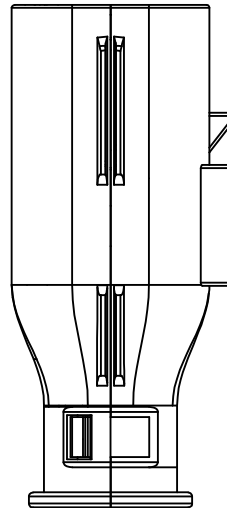
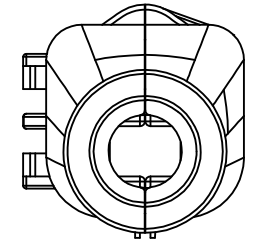
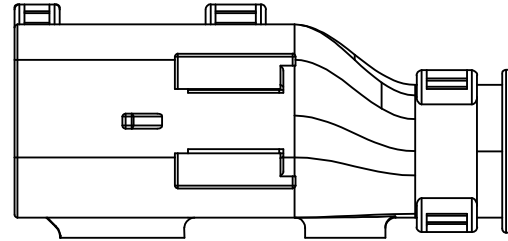
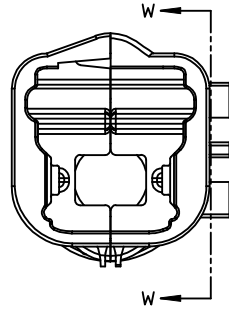
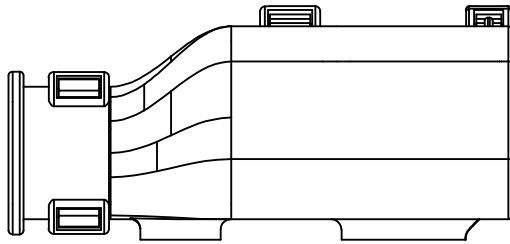
- 34949-XXXX
- CUSTOMER MODEL COMPONENTS
 - 0 - BACKSHELL ONLY
 - 1 - BACKSHELL & MX150 HOUSING KEY A ASSEMBLY
 - 2 - BACKSHELL & MX150 HOUSING KEY B ASSEMBLY
 - 3 - BACKSHELL & MX150 HOUSING KEY C ASSEMBLY
 - 4 - BACKSHELL & MX150 HOUSING KEY D ASSEMBLY
 - BACKSHELL FEATURES
 - 1 - WITH RIBS
 - 2 - WITHOUT RIBS
 - MX150 CIRCUIT SIZE 02, 03, 04, 05, 06



ENTER DESCRIPTION EC NO: UAUZ016-1641 DRWNR:BIANG 2016/05/10 CHKD: APPR:KDEKOSKI 2016/06/14 A	QUALITY SYMBOLS ▽=0 ▽=0 ▽=0	GENERAL TOLERANCES (UNLESS SPECIFIED) mm INCH 4 PLACES ± --- ± --- 3 PLACES ± --- ± --- 2 PLACES ± 0.10 ± --- 1 PLACE ± 0.2 ± --- 0 PLACE ± --- ± --- ANGULAR ± 1 ° DRAFT WHERE APPLICABLE MUST REMAIN WITHIN DIMENSIONS	DIMENSION STYLE MM ONLY DRAWN BY DATE APROFFITT 2015/11/04 CHECKED BY DATE APPROVED BY DATE KDEKOSKI 2016/06/14 MATERIAL NO. SEE NOTE 2a.	SCALE 4:1 DESIGN UNITS METRIC THIRD ANGLE PROJECTION	TITLE MX150 RCPT SINGLE ROW SEALED ASSY MAT SEAL molex DOCUMENT NO. SD-33471-0001	SHEET NO. 6 OF 8
	THIS DRAWING CONTAINS INFORMATION THAT IS PROPRIETARY TO MOLEX INCORPORATED AND SHOULD NOT BE USED WITHOUT WRITTEN PERMISSION					
	SIZE 1					
	INCORPORATED AND SHOULD NOT BE USED WITHOUT WRITTEN PERMISSION					

SHEET DESCRIPTION

BACKSHELL

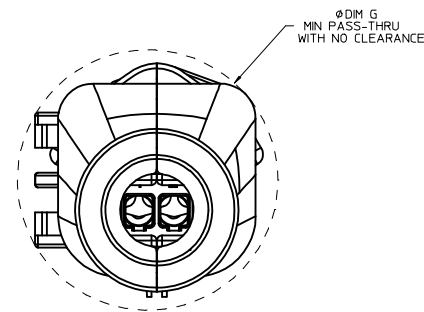
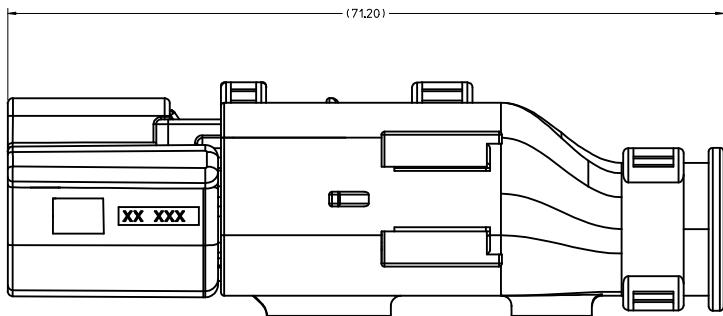


Partial W-W
SCALE 4:1

ENTER DESCRIPTION EC NO: UA02016-1641 DRWN: BTANG 2016/05/10 CHKD: APPR: KDEKOSKI 2016/06/14	QUALITY SYMBOLS ∇=0 ∇=0 ∇=0 ∇=0	GENERAL TOLERANCES (UNLESS SPECIFIED)		DIMENSION STYLE MM ONLY		SCALE 4:1	DESIGN UNITS METRIC	THIRD ANGLE PROJECTION		
		mm	INCH	DRAWN BY	DATE	TITLE MX150 RCPT SINGLE ROW SEALED ASSY MAT SEAL				
		4 PLACES ± --- ± ---	APPROFIT	2015/11/04	molex					
		3 PLACES ± --- ± ---	CHECKED BY	DATE	APPROVED BY KDEKOSKI 2016/06/14		DOCUMENT NO. SD-33471-0001		SHEET NO. 7 OF 8	
2 PLACES ± 0.10 ± ---	ANGULAR ± 1°		SEE NOTE 2a.		THIS DRAWING CONTAINS INFORMATION THAT IS PROPRIETARY TO MOLEX INCORPORATED AND SHOULD NOT BE USED WITHOUT WRITTEN PERMISSION					
1 PLACE ± 0.2 ± ---	DRAFT WHERE APPLICABLE MUST REMAIN WITHIN DIMENSIONS		SIZE A 1							
0 PLACE ± --- ± ---										

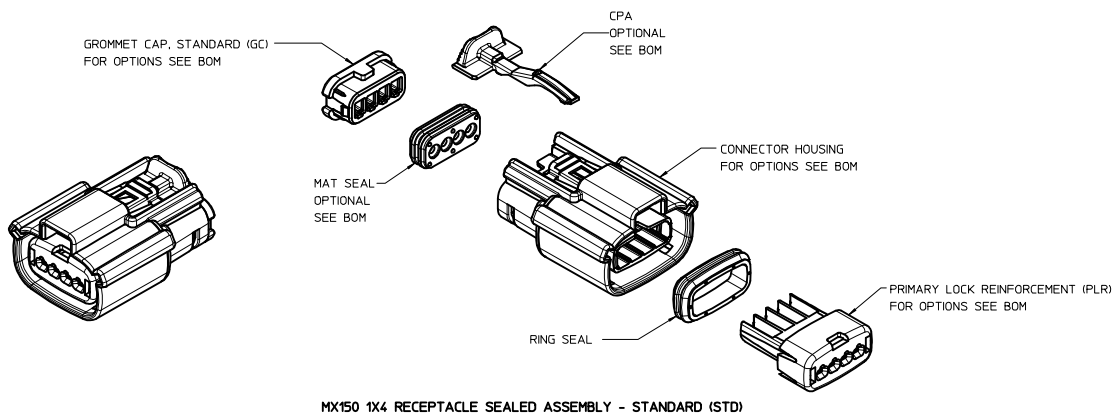
SHEET DESCRIPTION
BACKSHELL CONFIGURATIONS

CHARTED DIMENSIONS	
DESCRIPTION	DIMENSIONS
1X2	G
	26.00

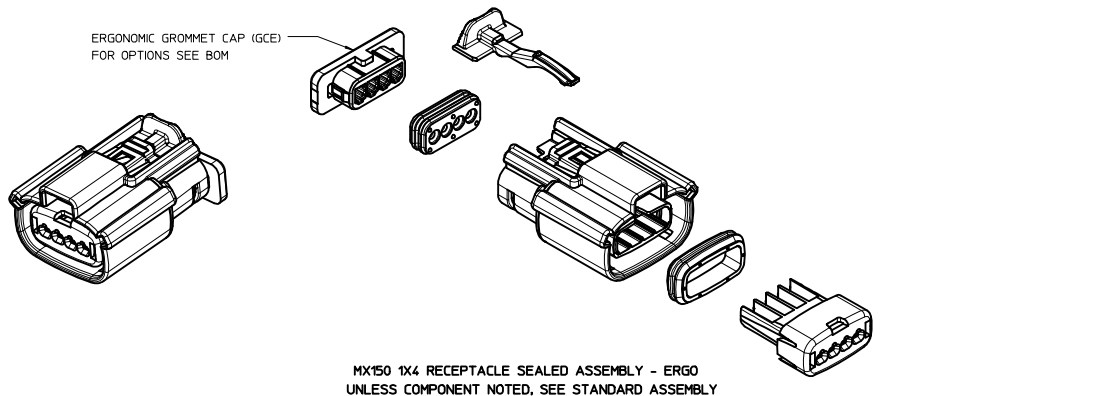


RECEPTACLE SEALED ASSEMBLY WITH RECEPTACLE BACKSHELL

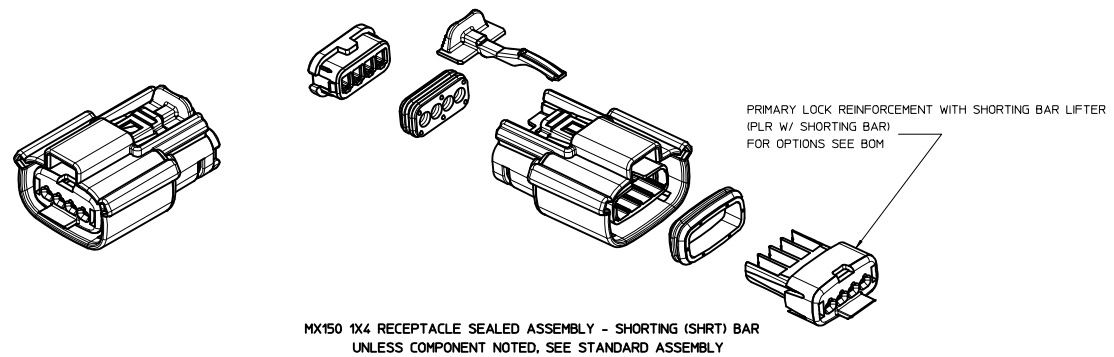
ENTER DESCRIPTION EC NO: UAU2016-1641 DRWN: BTANG 2016/05/10 CHKD: A APPR: KDEKOSKI 2016/06/14	QUALITY SYMBOLS ∇=0 ∇=0 ∇=0 ∇=0	GENERAL TOLERANCES (UNLESS SPECIFIED)		DIMENSION STYLE MM ONLY		SCALE 4:1	DESIGN UNITS METRIC	THIRD ANGLE PROJECTION
		4 PLACES ± --- ± --- 3 PLACES ± --- ± --- 2 PLACES ± 0.10 ± --- 1 PLACE ± 0.2 ± --- 0 PLACE ± --- ± ---	mm INCH	DRAWN BY APPROFFITT DATE 2015/11/04	CHECKED BY DATE	TITLE MX150 RCPT SINGLE ROW SEALED ASSY MAT SEAL		
		ANGULAR ± 1 °		APPROVED BY KDEKOSKI DATE 2016/06/14	MATERIAL NO. SEE NOTE 2a.		DOCUMENT NO. SD-33471-0001	
		DRAFT WHERE APPLICABLE MUST REMAIN WITHIN DIMENSIONS		SIZE 1		THIS DRAWING CONTAINS INFORMATION THAT IS PROPRIETARY TO MOLEX INCORPORATED AND SHOULD NOT BE USED WITHOUT WRITTEN PERMISSION		



MX150 1X4 RECEPTACLE SEALED ASSEMBLY - STANDARD (STD)



MX150 1X4 RECEPTACLE SEALED ASSEMBLY - ERGO
UNLESS COMPONENT NOTED, SEE STANDARD ASSEMBLY



MX150 1X4 RECEPTACLE SEALED ASSEMBLY - SHORTING (SHRT) BAR
UNLESS COMPONENT NOTED, SEE STANDARD ASSEMBLY

TABLE OF CONTENTS	
SHEET NO.	SHEET DESCRIPTION
1	NOTES
2	KEY CONFIGURATIONS
3	RECEPTACLE SEALED ASSEMBLY
4-5	BOM

NOTES: VALID UNLESS OTHERWISE SPECIFIED

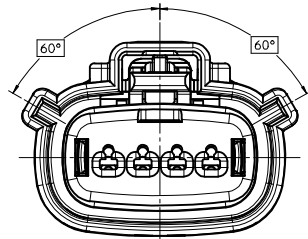
1. GENERAL:
 - a. APPLICATION SPECIFICATION SEE: AS-33472-100
 - CONTAINS: PRODUCT INTRODUCTION, PRODUCT SUMMARY, CONNECTOR ASSEMBLY, PACKAGING INFORMATION, CONNECTOR MATING, SERVICE INSTRUCTIONS, ELECTRICAL CONTINUITY CHECKING, CRIMPING, AND TROUBLESHOOTING.
 - STANDARD (NON-SHRT) CONFIGURATIONS DESIGNED TO MATE WITH DEVICE CONNECTION AS SPECIFIED IN DRAWING SD-33481-041 AND EWCAP 150-S-004-1-203, AVAILABLE AT <http://ewcap.uscarteams.org/>
 - SHORTING BAR CONFIGURATIONS DESIGNED TO MATE WITH BLADE SEALED ASSEMBLY SPECIFIED IN DRAWING SD-31280-200
 - FOR 1.5mm RECEPTACLE TERMINALS TO BE USED WITH THIS ASSEMBLY, SEE MOLEX DRAWING SD-33012-002.
 - SYSTEM TO BE USED WITH WIRE WITHIN DIAMETER RANGE OF 1.2mm TO 2.69mm.
 - ASSEMBLY SHIPPED WITH PLR AND CPA IN PRE-LOCK POSITION (SEE SECTION Z-Z PRE-LOCK).
 - IN THE EVENT THAT THE PLR IS FOUND IN THE SEATED (FINAL LOCK) POSITION, REFER TO MOLEX SPECIFICATION PS-34646-001, AVAILABLE AT www.molex.com <<http://www.molex.com>>.
 - ASSEMBLY CONFORMS TO SAE/USCAR-2 REV 4 WITH THE FOLLOWING EXCEPTIONS: ENGAGEMENT FORCE TO MOVE CPA FROM PRE-LOCK TO FINAL LOCK POSITION WHEN UNMATED: 40N MIN, 40N MAX.
 - DISENGAGEMENT FORCE TO MOVE CPA FROM FINAL LOCK TO PRE-LOCK POSITION: 3N MIN, 40N MAX.
 - TERMINAL INSERTION FORCE FOR WIRE DIAMETER ABOVE 2.5mm AND NOT EXCEEDING 2.69mm SHALL NOT EXCEED 40 NEWTONS.
 - b. PRODUCT SPECIFICATION SEE: PS-33471-000
 - CONTAINS: PRODUCT INTRODUCTION, PRODUCT SUMMARY, RATINGS (CURRENT, TEMPERATURE, SEALING, AND FLAMMABILITY), AND PRODUCT VALIDATION.
 - c. PACKAGING SPECIFICATION PER MOLEX DRAWING: PK-31300-903
 - d. PARTS MUST BE IN COMPLIANCE TO MOLEX CHEMICAL SUBSTANCES FOR PRODUCTS AND PACKAGING SPECIFICATION: ES-0000-5016
 - e. DATA MUST BE SUBMITTED UNDER THE MOLEX PART NUMBER TO IMDS (COMPANY ID#13255)
2. DESIGN - MATERIALS:
 - a. SEE BOM TABLE
3. DESIGN - GEOMETRY:
 - a. THIS IS A 100% CAD GENERATED PART. THE CAD MATHEMATICAL DATA IS THE MASTER FOR THIS PART. FOR DIMENSIONAL OR ANY INFORMATION NOT SHOWN ON THIS DRAWING, ANALYZE THE CAD MODEL.
 - b. GEOMETRIC DIMENSIONS AND TOLERANCES PER ASME Y14.5M - 1994
 - c. EDGES AND UNDIMENSIONED DETAILS PER ISO13715
 - d. CORNERS SHOWN AS SHARP TO BE R 0.2 MAX.
 - e. LETTERING SHALL BE 0.15 MAX RAISED IN 0.25 MAX RECESS PAD, THIS INCLUDES RECYCLING CODE, CAVITY ID, VENDOR IDENTIFICATION, AND CUSTOMER MATERIAL NUMBER.
 - f. VISUAL DEFECTS SHALL MEET COSMETIC STANDARD PS-45499-002 (Class B)
 - g. LASER MARKING: TBD

INSPECTION NUMBER LOG
LAST NUMBER USED: 5
ADDED:
REMOVED: 2

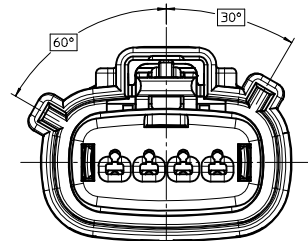
W2	ADD NEW P/N 33471-0494
W1	ADD NEW P/N 33471-0493
W	REMOVE THE 33471-0489 CPA
REV	DESCRIPTION

ENTER DESCRIPTION ELEC NO: UAU2017-0052 DRAWN BY: 2016/07/17 CHKD: 2016/07/17 APPR: JDENG02 W2	QUALITY SYMBOLS ▽=0 ▽=0 ▽=0	GENERAL TOLERANCES (UNLESS SPECIFIED) mm INCH	DIMENSION STYLE MM ONLY	SCALE 2:1	DESIGN UNITS METRIC	THIRD ANGLE PROJECTION		
		4 PLACES ± .05 3 PLACES ± .03 2 PLACES ± 0.10 1 PLACE ± 0.3 0 PLACE ±	DRAWN BY: DGRIFFI DATE: 2010/03/31 CHECKED BY: MDICK DATE: 2011/08/11 APPROVED BY: VKOSHY DATE: 2010/04/06	ANGULAR ± 3 ° DRAFT WHERE APPLICABLE MUST REMAIN WITHIN DIMENSIONS	MATERIAL NO: SEE BOM	DOCUMENT NO: SD-33471-041	SHEET NO: 1 OF 6	TITLE: MX150 1X4 RECEPTACLE SEALED ASSEMBLY MAT SEAL molex
		THIS DRAWING CONTAINS INFORMATION THAT IS PROPRIETARY TO MOLEX INCORPORATED AND SHOULD NOT BE USED WITHOUT WRITTEN PERMISSION						
		SIZE D						

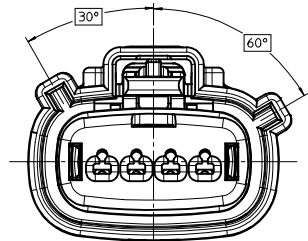
KEY CONFIGURATIONS



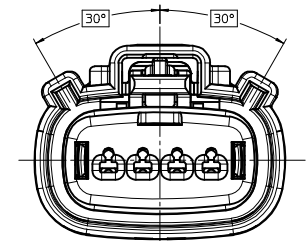
KEY A



KEY B



KEY C



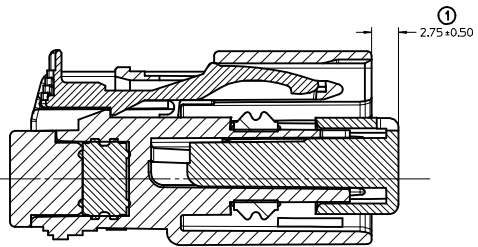
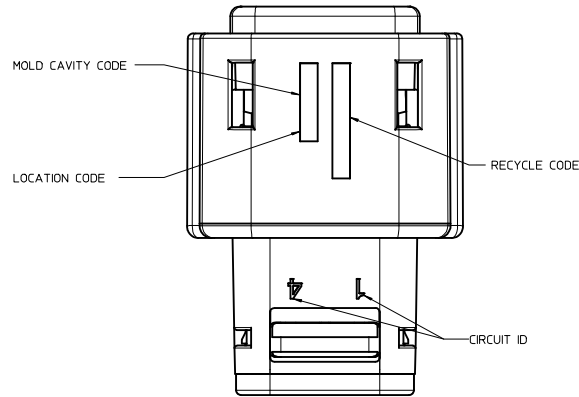
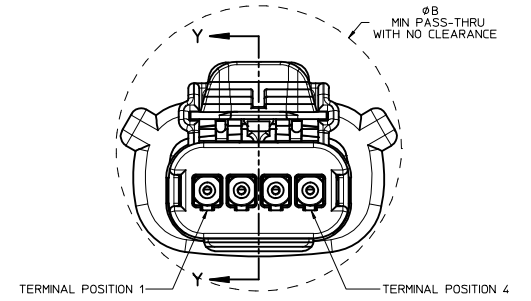
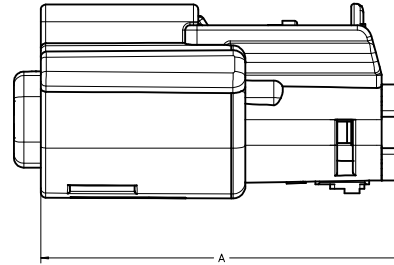
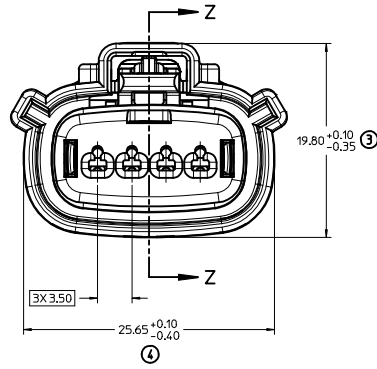
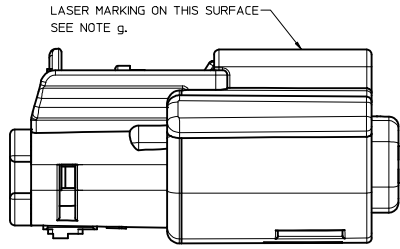
KEY D

ENTER DESCRIPTION DEC NO: UAU2017-0052 DRAWN BY CHKD: APPR: JENGOZ 2016/07/22 2016/07/27 W2	QUALITY SYMBOLS	GENERAL TOLERANCES (UNLESS SPECIFIED)	DIMENSION STYLE	SCALE	DESIGN UNITS	THIRD ANGLE PROJECTION
	▽=0	mm INCH	MM ONLY	4:1	METRIC	
	▽=0	4 PLACES ± --- ± ---	DRAWN BY DATE			
	▽=0	3 PLACES ± --- ± ---	DGRIFITHS 2010/03/31	TITLE		
		2 PLACES ± 0.10 ± ---	CHECKED BY DATE			
		1 PLACE ± 0.3 ± ---	MDICK 2011/08/11			
		0 PLACE ± ±	APPROVED BY DATE			
		ANGULAR ± 3 °	VKOSHY 2010/04/06			
		DRAFT WHERE APPLICABLE MUST REMAIN WITHIN DIMENSIONS	MATERIAL NO.	SEE BOM	DOCUMENT NO.	
			SIZE D		SD-33471-041	SHEET NO. 2 OF 6

MX150 1X4 RECEPTACLE SEALED ASSEMBLY MAT SEAL

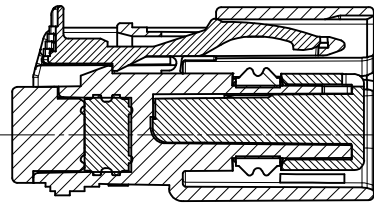


RECEPTACLE SEALED ASSEMBLY



PRIMARY LOCK REINFORCEMENT (PLR) SHOWN IN PRE-STAGED POSITION

SECTION Z-Z



PRIMARY LOCK REINFORCEMENT (PLR) SHOWN IN FINAL-LOCK POSITION

SECTION Y-Y

CHARTED DIMENSIONS		
CONFIGURATION	A	B
MX150 1X4 RECPT SEALED ASSY - STANDARD	36.95 ±0.70	29.14
MX150 1X4 RECPT SEALED ASSY - ERGO	36.95 ±0.90	29.33
MX150 1X4 RECPT SEALED ASSY - SHORTING (SHRT) BAR	36.95 ±0.70	29.14

ENTER DESCRIPTION EC NO: UAU2017-0052 DRAWN BY: CHKD: W2 2016/07/22 2016/07/27 APPR: IDEN02	QUALITY SYMBOLS	GENERAL TOLERANCES (UNLESS SPECIFIED)	DIMENSION STYLE	SCALE	DESIGN UNITS	THIRD ANGLE PROJECTION
	▽=0	4 PLACES ± mm ± INCH	MM ONLY	4:1	METRIC	☉
	▽=0	3 PLACES ± 0.10 ± 0.3				
	▽=0	2 PLACES ± 0.3 ± 0.6				
		ANGULAR ± 3 °	DRAWN BY: DGRIFITHS	DATE: 2010/03/31	TITLE: MX150 1X4 RECEPTACLE SEALED ASSEMBLY MAT SEAL	
		DRAFT WHERE APPLICABLE MUST REMAIN WITHIN DIMENSIONS	CHECKED BY: MDICK	DATE: 2011/08/11	MATERIAL NO. SEE BOM	
			APPROVED BY: VKOSHY	DATE: 2010/04/06	DOCUMENT NO. SD-33471-041	
					SHEET NO. 3 OF 6	

ASSEMBLY DESCRIPTION	ASSEMBLY PART NUMBER	A	B	C	D	C	D	GCO	GCP	GCEO	GCEP	P	PS	M	CPA	1	2	3	4	STATUS	COMMENTS
VOID KEY	33471-0440																				
KEY D W/ SHRT. BAR, GREEN	33471-0439				D			GCO					PS	M						NOT RECOMMENDED	SEE P/N 33471-0481
KEY C W/ SHRT. BAR, BROWN	33471-0438			C				GCO					PS	M						NOT RECOMMENDED	SEE P/N 33471-0480
KEY B W/ SHRT. BAR, LT. GRAY	33471-0437		B					GCO					PS	M							
KEY A W/ SHRT. BAR, BLACK	33471-0436	A						GCO					PS	M						SALEABLE	
VOID KEY	33471-0435																				
KEY D W/O MAT SEAL, GREEN	33471-0434				D			GCO				P								NOT RECOMMENDED	SEE P/N 33471-0479
KEY C W/O MAT SEAL, BROWN	33471-0433			C				GCO				P								NOT RECOMMENDED	SEE P/N 33471-0478
KEY B W/O MAT SEAL, LT. GRAY	33471-0432		B					GCO				P								NOT VALIDATED	
KEY A W/O MAT SEAL, BLACK	33471-0431	A						GCO				P								SALEABLE	NOT VALIDATED
VOID KEY	33471-0430																				
KEY D W/ CPA, GREEN	33471-0429				D			GCP				P	M	CPA	1				4	NOT RECOMMENDED	SEE P/N 33471-0477
KEY C W/ CPA, BROWN	33471-0428			C				GCP				P	M	CPA	1				4	NOT RECOMMENDED	SEE P/N 33471-0476
KEY B W/ CPA, LT. GRAY	33471-0427		B					GCP				P	M	CPA	1				4		
KEY A W/ CPA, BLACK	33471-0426	A						GCP				P	M	CPA	1				4	SALEABLE	
VOID KEY	33471-0425																				
KEY D, GREEN	33471-0424				D			GCP				P	M		1				4	NOT RECOMMENDED	SEE P/N 33471-0475
KEY C, BROWN	33471-0423			C				GCP				P	M		1				4	NOT RECOMMENDED	SEE P/N 33471-0474
KEY B, LT. GRAY	33471-0422		B					GCP				P	M		1				4		
KEY A, BLACK	33471-0421	A						GCP				P	M		1				4	SALEABLE	
VOID KEY	33471-0420																				
KEY D W/ CPA, GREEN	33471-0419				D			GCP				P	M	CPA					4	NOT RECOMMENDED	SEE P/N 33471-0473
KEY C W/ CPA, BROWN	33471-0418			C				GCP				P	M	CPA					4	NOT RECOMMENDED	SEE P/N 33471-0472
KEY B W/ CPA, LT. GRAY	33471-0417		B					GCP				P	M	CPA					4		
KEY A W/ CPA, BLACK	33471-0416	A						GCP				P	M	CPA					4	SALEABLE	
VOID KEY	33471-0415																				
KEY D, GREEN	33471-0414				D			GCP				P	M						4	NOT RECOMMENDED	SEE P/N 33471-0471
KEY C, BROWN	33471-0413			C				GCP				P	M						4	NOT RECOMMENDED	SEE P/N 33471-0470
KEY B, LT. GRAY	33471-0412		B					GCP				P	M						4		
KEY A, BLACK	33471-0411	A						GCP				P	M						4	SALEABLE	
KEY C W/ CPA, BLACK	33471-0410				C			GCO				P	M	CPA							
KEY D W/ CPA, GREEN	33471-0409				D			GCO				P	M	CPA						NOT RECOMMENDED	SEE P/N 33471-0465
KEY C W/ CPA, BROWN	33471-0408			C				GCO				P	M	CPA						NOT RECOMMENDED	SEE P/N 33471-0464
KEY B W/ CPA, LT. GRAY	33471-0407		B					GCO				P	M	CPA							
KEY A W/ CPA, BLACK	33471-0406	A						GCO				P	M	CPA						SALEABLE	
VOID KEY	33471-0405																				
KEY D, GREEN	33471-0404				D			GCO				P	M							NOT RECOMMENDED	SEE P/N 33471-0463
KEY C, BROWN	33471-0403			C				GCO				P	M							NOT RECOMMENDED	SEE P/N 33471-0462
KEY B, LT. GRAY	33471-0402		B					GCO				P	M								
KEY A, BLACK	33471-0401	A						GCO				P	M							SALEABLE	

DESCRIPTION	COLOR	MATERIAL
RING SEAL	BURNT ORANGE	INHERENTLY LUBRICATED SILICONE
CPA	BRIGHT RED	PBT GF30
MAT SEAL	LIGHT BLUE	INHERENTLY LUBRICATED SILICONE
SHORTING BAR PLR	NATURAL	SPS/NYLON GF20
STANDARD PLR	NATURAL	SPS/NYLON GF20
ERGONOMIC GROMMET CAP, PLUGGED	BLACK	SPS/NYLON GF20
ERGONOMIC GROMMET CAP, OPEN	BLACK	SPS/NYLON GF20
STANDARD GROMMET CAP, PLUGGED	BLACK	SPS/NYLON GF20
STANDARD GROMMET CAP, OPEN	BLACK	SPS/NYLON GF20
HOUSING KEYING OPTION D	STONE GRAY	SPS/NYLON GF20
HOUSING KEYING OPTION C	DARK GRAY	SPS/NYLON GF20
HOUSING KEYING OPTION C	BLACK	SPS/NYLON GF20
HOUSING KEYING OPTION D	GREEN	SPS/NYLON GF20
HOUSING KEYING OPTION C	BROWN	SPS/NYLON GF20
HOUSING KEYING OPTION B	LIGHT GRAY	SPS/NYLON GF20
HOUSING KEYING OPTION A	BLACK	SPS/NYLON GF20

ABREVIATION	COMPONENT
A	HOUSING KEY A
B	HOUSING KEY B
C	HOUSING KEY C
D	HOUSING KEY D
GCO	GROMMET CAP, STANDARD, OPEN
GCP	GROMMET CAP, STANDARD, PLUGGED
GCEO	GROMMET CAP, ERGONOMIC, OPEN
GCEP	GROMMET CAP, ERGONOMIC, PLUGGED
M	MAT SEAL
P	PLR, STANDARD
PS	PLR, SHRT. BAR LIFTER
R	RING SEAL
CPA	CPA

ENTER DESCRIPTION ELEC NO: UAU2017-0052 DRAWN BY: W2 DATE: 2016/07/22 CHKD: JDEMOZ APPR: JDEMOZ	QUALITY SYMBOLS ∇=0 ∇=0 ∇=0	GENERAL TOLERANCES (UNLESS SPECIFIED) DIMENSION STYLE: MM ONLY UNLESS SPECIFIED: mm INCH 4 PLACES: ±0.10 ±0.05 3 PLACES: ±0.10 ±0.05 2 PLACES: ±0.10 ±0.05 1 PLACE: ±0.3 ±0.15 0 PLACE: ± ±	DIMENSION STYLE: MM ONLY SCALE: 1:1 DESIGN UNITS: METRIC THIRD ANGLE PROJECTION	DRAWN BY: DGRIFITHS DATE: 2010/03/31 CHECKED BY: MDICK DATE: 2011/08/11 APPROVED BY: VKOSHY DATE: 2010/04/06	TITLE: MX150 1X4 RECEPTACLE SEALED ASSEMBLY MAT SEAL MATERIAL NO: SEE BOM DOCUMENT NO: SD-33471-041	SHEET NO: 4 OF 6
	DRAFT WHERE APPLICABLE MUST REMAIN WITHIN DIMENSIONS			THIS DRAWING CONTAINS INFORMATION THAT IS PROPRIETARY TO MOLEX INCORPORATED AND SHOULD NOT BE USED WITHOUT WRITTEN PERMISSION		

