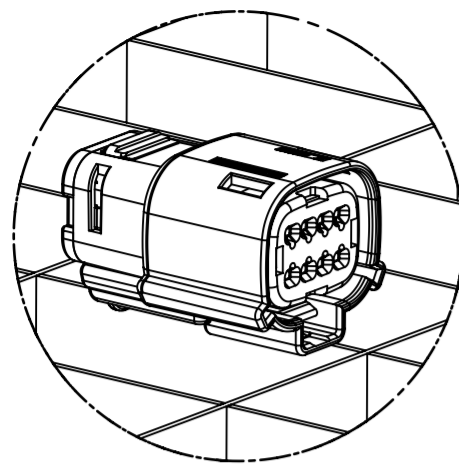
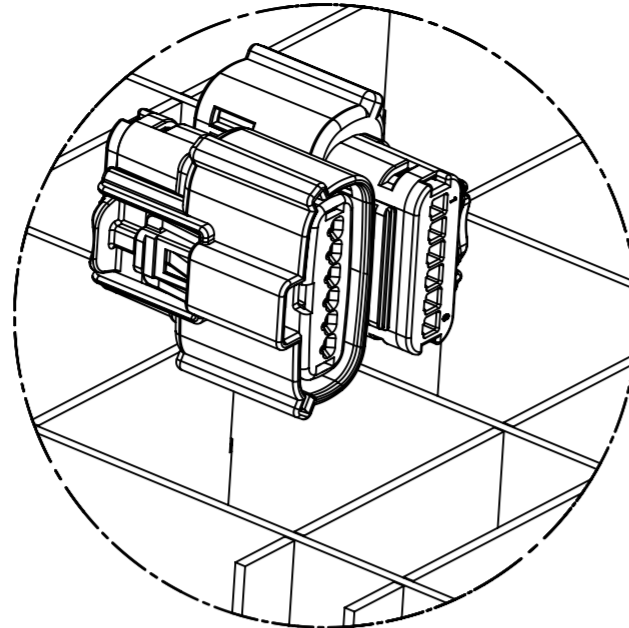


03347208**/0313009020



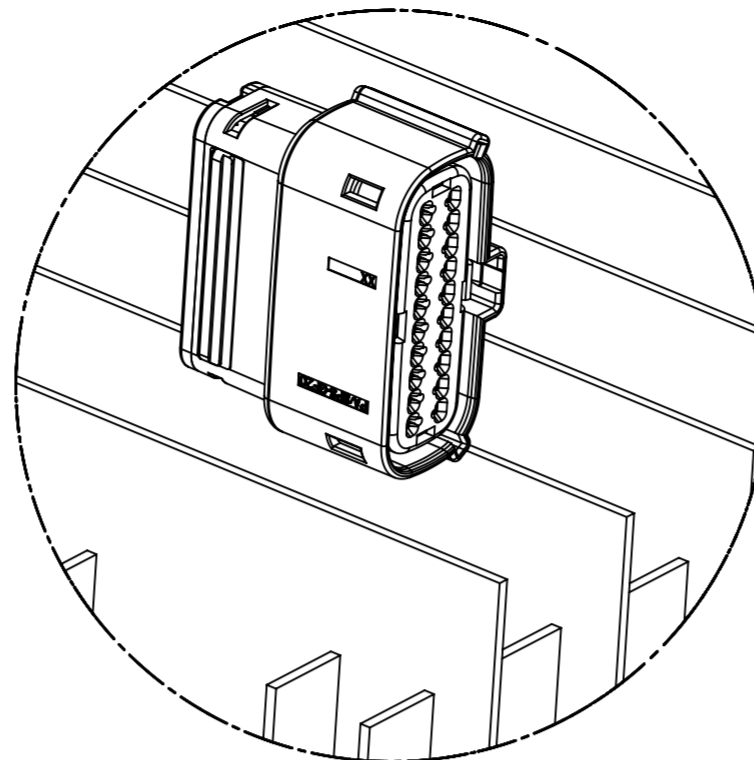
DETAIL 1
SCALE 1:1

03347106**/0313009110

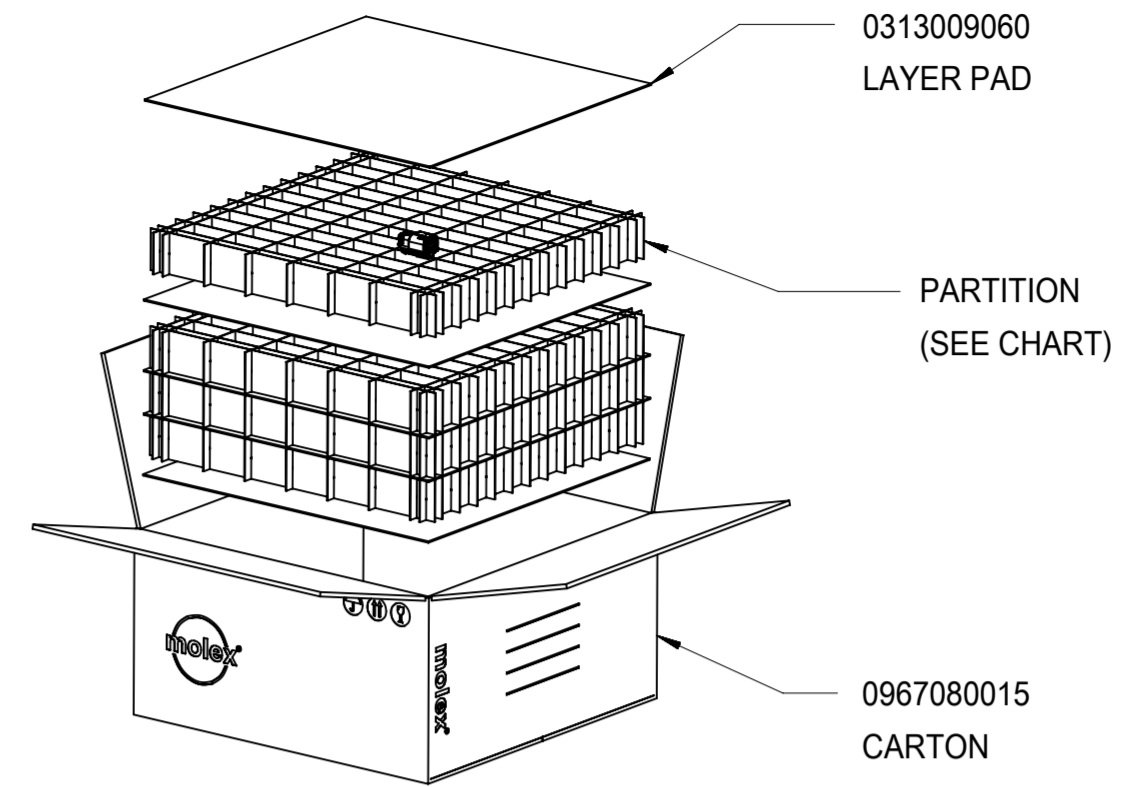


DETAIL 2
Partial 5
SCALE 1:1

03347220**/0313010550



DETAIL 3
Partial 4
SCALE 1:1



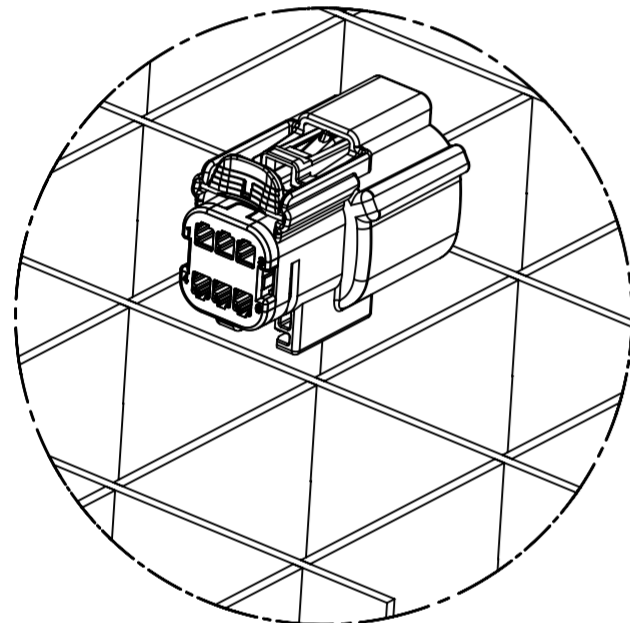
EXPLODED PACKAGE

0313009060
LAYER PAD

PARTITION
(SEE CHART)

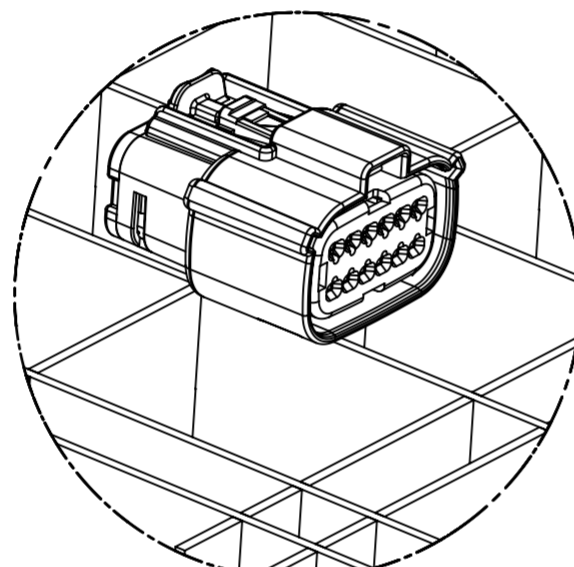
0967080015
CARTON

03347207**/0313011520



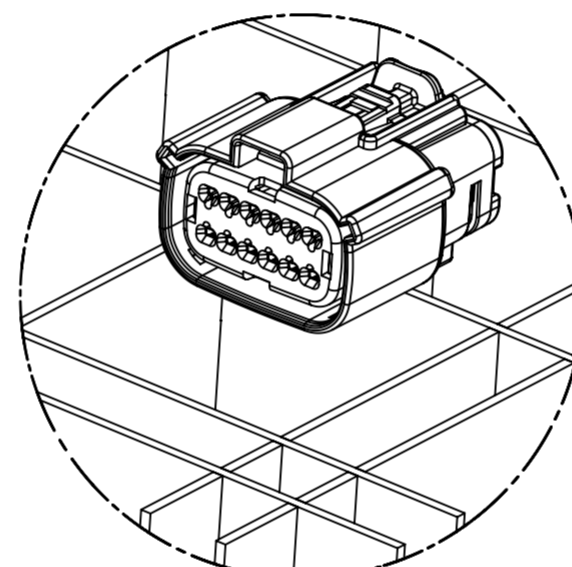
DETAIL 7
Partial 1
SCALE 1:1

03347212**/0313010700

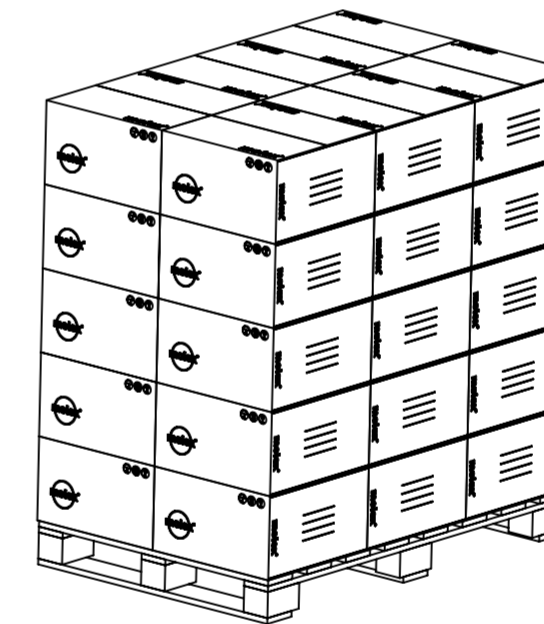


DETAIL 5
Partial 3
SCALE 1:1

03347213**/0313011050



DETAIL 6
Partial 2
SCALE 1:1



NOTES:

1. FOLD AND TAPE THE BOTTOM FLAPS OF THE CARTON (0967080015).
2. INSERT ONE LAYER PAD (0313009060) IN CARTON
3. INSERT ONE PARTITION ASSEMBLY (MATEIAL NUMBER SPECIFIED IN TABLE) INTO CARTON
4. PACK 1 OR 2 ASSEMBLIES PER CELL (PER TABLE) IN THE SPECIFIED ORIENTATION AS SHOWN IN THE DETAILS ABOVE.
5. REPEAT STEPS 2 - 4 FILLING IN CARTON TO THE NUMBER OF LAYERS SPECIFIED IN THE TABLE.
6. INSERT ONE LAYER PAD (0313009060) ON TOP LAYER
7. FOLD AND TAPE THE TOP FLAPS OF THE CARTON.
8. LABEL AND PALLETIZE AS SHOWN. SECURE TO THE PALLET WITH STRECTCH WRAP.
9. THE STANDARD PACK QUANTITY (SPQ) IS PER THE TABLE.

SYMBOLS										THIS DRAWING CONTAINS INFORMATION THAT IS PROPRIETARY TO MOLEX ELECTRONIC TECHNOLOGIES, LLC AND SHOULD NOT BE USED WITHOUT WRITTEN PERMISSION																													
DIMENSION UNITS					SCALE					CURRENT REV DESC:																													
HYBRID					1:1					EC NO: 623964																													
GENERAL TOLERANCES (UNLESS SPECIFIED)										DRWN: LLIU226 2019/09/09																													
ANGULAR TOL					± °					CHK'D: BYANG05 2019/09/12																													
4 PLACES					±					APPR: DCHOPP 2019/09/12																													
3 PLACES					±					INITIAL REVISION:																													
2 PLACES					±					DRWN: PPHelps 2007/07/30																													
1 PLACE					±					APPR: JNORTHRO 2007/08/03																													
0 PLACES					±					DRAFT WHERE APPLICABLE MUST REMAIN WITHIN DIMENSIONS																													
THIRD ANGLE PROJECTION					DRAWING					SERIES					MATERIAL NUMBER																								
A2-SIZE					31300					GENERAL MARKET					SHEET NUMBER																								
DOCUMENT NUMBER										DOC TYPE										DOC PART										REVISION									
PK-31300-903										PDD										001										N									
GENERAL MARKET										1 OF 3																													

DOCUMENT STATUS	P1	RELEASE DATE	2019/09/12	12:42:00
-----------------	----	--------------	------------	----------

MATL #	DESCRIPTION	#/CELL	#/PARTITION	SPQ	DETAIL	PARTITION #	QTY	PAD #	QTY	CARTON #
03347104** SEE SD-33471-041 FOR CLARIFICATION	4-WAY 1X4 FEMALE W/O S.B.	2	132	528	1	0313009020	4	0313009060	5	0477991015 (0967080015)
03347104** SEE SD-33471-041 FOR CLARIFICATION	4-WAY 1X4 FEMALE WITH S.B.	2	132	528	1	0313009020	4	0313009060	5	
03347105**	5-WAY 1X5 FEMALE ASSEMBLY	2	112	560	2	0313009110	5	0313009060	6	
03347106**	6-WAY 1X6 FEMALE ASSEMBLY	2	112	560	2	0313009110	5	0313009060	6	
03347206**	6-WAY 2X3 FEMALE W/O CLIP SLOT	2	132	528	1	0313009020	4	0313009060	5	
03347207**	6-WAY 2X3 FEM W/ CLIP SLOT	1	88	528	7	0313011520	6	0313009060	7	
03347207**	6-WAY 2X3 FEM W/O CLIP SLOT	2	132	528	1	0313009020	4	0313009060	5	
03347208**/3347248**	8-WAY 2X4 FEMALE W/O CLIP SLOT	2	132	528	1	0313009020	4	0313009060	5	
03347210**/3347250**										
03347209**/3347249**	8-WAY 2X4 FEM W/ CLIP SLOT	1	88	528	7	0313011520	6	0313009060	7	
03347212**	12-WAY 2X6 FEMALE W/O CLIP SLOT	1	63	378	5	0313010700	6	0313009060	7	
03347213**	2X6 FEMALE WITH CLIP SLOT	1	49	294	6	0313011050	6	0313009060	7	
03347213**	2X6 FEMALE W/O CLIP SLOT	1	63	378	5	0313010700	6	0313009060	7	
03347214**	2X6 FEMALE WITH CLIP SLOT	1	49	294	6	0313011050	6	0313009060	7	
03347215**	2X6 FEMALE W/O CLIP SLOT	1	63	378	5	0313010700	6	0313009060	7	
03347216**	16WAY 2X8 FEMALE ASSEMBLY	1	49	294	6	0313011050	6	0313009060	7	
03347217**										
03347218**										
03347219**										
0334722***	20WAY 2X10 FEMALE W/O CLIP SLOT	1	104	312	3	0313010550	3	0313009060	4	
0334722*** (excepted 334722001)	20WAY 2X10 FEMALE WITH CLIP SLOT	1	88	264	3	477994112	3	477994113	4	887962485
0334759*12	2X6 FEMALE W/O CAP	1	63	378	5	0313010700	6	0313009060	7	0477991015 (0967080015)
03477004**	1X4 SEALED RECPTACLE	2	132	528	1	0313009020	4	0313009060	5	
16010560**	UL V0 1X6 SEALED RECPTACLE	2	112	560	2	0313009110	5	0313009060	6	
03347230**	2X8 FEMALE WITH CLIP SLOT	1	49	294	6	0313011050	6	0313009060	7	
16007460**	2X6 FEMALE W/O CLIP SLOT UL V0	1	63	378	5	0313010700	6	0313009060	7	
03347280**	2X8 SEALED RECPTACLE	1	49	294	6	0313011050	6	0313009060	7	
03347160** 03347166**	6-WAY 1X6 SEALD MALE	2	112	560	2	0313009110	5	0313009060	6	

SYMBOLS										THIS DRAWING CONTAINS INFORMATION THAT IS PROPRIETARY TO MOLEX ELECTRONIC TECHNOLOGIES, LLC AND SHOULD NOT BE USED WITHOUT WRITTEN PERMISSION									
DIMENSION UNITS					SCALE					CURRENT REV DESC:									
HYBRID					1:1					EC NO: 623964 DRWN: LLIU226 2019/09/09 CHK'D: BYANG05 2019/09/12 APPR: DCHOPP 2019/09/12 INITIAL REVISION: DRWN: PPHHELPS 2007/07/30 APPR: JNORTHRO 2007/08/03									
GENERAL TOLERANCES (UNLESS SPECIFIED)					ANGULAR TOL ± °														
4 PLACES ±					3 PLACES ±					2 PLACES ±					1 PLACE ±				
0 PLACES ±					DRAFT WHERE APPLICABLE MUST REMAIN WITHIN DIMENSIONS					THIRD ANGLE PROJECTION					DRAWING				
A2-SIZE					SERIES					MATERIAL NUMBER					CUSTOMER				
31300					GENERAL MARKET					DOCUMENT NUMBER					DOC TYPE DOC PART REVISION				
PK-31300-903					PDD					001					N				
SHEET NUMBER					2 OF 3														

DOCUMENT STATUS	P1	RELEASE DATE	2019/09/12	12:42:00
-----------------	----	--------------	------------	----------

MAT'L #	DESCRIPTION	#/CELL	#/PARTITION	SPQ	DETAIL	PARTITION #	QTY	PAD #	QTY	CARTON #
1600086*** SEE E-160008-0002 FOR CLARIFICATION	2X6 FEMALE ASSEMBLY	1	63	378	5	0313010700	6	0313009060	7	0477991015 (0967080015)
1600086*** SEE E-160008-0002 FOR CLARIFICATION	2X6 FEMALE WITH CLIP SLOT	1	49	294	6	0313011050	6	0313009060	7	
1600080*** SEE E-160008-0002 FOR CLARIFICATION	2X10 FEMALE ASSEMBLY	1	104	312	3	0313010550	3	0313009060	4	
1600080*** SEE E-160008-0002 FOR CLARIFICATION	2X10 FEMALE WITH CLIP SLOT	1	110	330	SEE PK-30907-895	0477994097 (0313000930)	3	0477995274 (0309073441)	4	0477991156 (0309073130)
1600383***	6-WAY 2X3 FEMALE ASSEMBLY	1	132	528	1	0313009020	4	0313009060	5	
1600765*** SEE E-160076-0002 FOR CLARIFICATION	10-WAY HYBRID FEMALE ASSEMBLY	1	104	312	3	0313010550	3	0313009060	4	0477991015 (0967080015)
1600765*** SEE E-160076-0002 FOR CLARIFICATION	10-WAY HYBRID FEMALE W/CLIP SLOT	1	110	330	SEE PK-30907-895	0477994097 (0313000930)	3	0477995274 (0309073441)	4	0477991156 (0309073130)
16007400**	UL V0 2X10 FEMALE ASSEMBLY	1	104	312	3	0313010550	3	0313009060	4	0477991015 (0967080015)
16007440**	UL V0 2X4 FEMALE ASSEMBLY	2	132	528	1	0313009020	4	0313009060	5	
1600783*** SEE E-160076-0002 FOR CLARIFICATION	8-WAY HYBRID FEMALE ASSEMBLY	1	104	312	3	0313010550	3	0313009060	4	0477991015 (0967080015)
1600783*** SEE E-160076-0002 FOR CLARIFICATION	8-WAY HYBRID FEMALE W/CLIP SLOT	1	110	330	SEE PK-30907-895	0477994097 (0313000930)	3	0477995274 (0309073441)	4	0477991156 (0309073130)
1600803*** SEE E-160076-0002 FOR CLARIFICATION	9-WAY HYBRID FEMALE ASSEMBLY	1	104	312	3	0313010550	3	0313009060	4	0477991015 (0967080015)
1600803*** SEE E-160076-0002 FOR CLARIFICATION	9-WAY HYBRID FEMALE W/CLIP SLOT	1	110	330	SEE PK-30907-895	0477994097 (0313000930)	3	0477995274 (0309073441)	4	0477991156 (0309073130)
1600387006 1600387011	BLACK,W/CLIPSLOT,W/CPA	1	49	294	6	0313011050	6	0313009060	7	0477991015
1600927001	MX150 ASY 1.5 RCPT 2X6 CS NAT A/12	1	63	378	5	0313010700	6	0313009060	7	0477991015
1600927006	MX150 ASY 1.5 RCPT 2X6 CS CPA NAT A/12									
1600927011	MX150 ASY 1.5 RCPT 2X6 CS CPA NAT A/12									
1600927012	MX150 ASY 1.5 RCPT 2X6 CS CPA NAT A									

THIS DRAWING CONTAINS INFORMATION THAT IS PROPRIETARY TO MOLEX ELECTRONIC TECHNOLOGIES, LLC AND SHOULD NOT BE USED WITHOUT WRITTEN PERMISSION											
SYMBOLS		DIMENSION UNITS		SCALE		CURRENT REV DESC:					
▽ = 0		HYBRID		1:1		molex PARTITION PACK FOR MX150 CONNECTORS PACKAGING DESIGN DRAWING DOCUMENT NUMBER: PK-31300-903 DOC TYPE: PDD DOC PART: 001 REVISION: N MATERIAL NUMBER: GENERAL MARKET CUSTOMER: GENERAL MARKET SHEET NUMBER: 3 OF 3					
▽ = 0		GENERAL TOLERANCES (UNLESS SPECIFIED)									
▽ = 0		ANGULAR TOL ± °									
▽ = 0		4 PLACES ±									
▽ = 0		3 PLACES ±									
▽ = 0		2 PLACES ±				EC NO: 623964		DRWN: LLIU226		2019/09/09	
▽ = 0		1 PLACE ±				CHK'D: BYANG05		2019/09/12			
▽ = 0		0 PLACES ±				APPR: DCHOPP		2019/09/12			
☒ = 0		DRAFT WHERE APPLICABLE MUST REMAIN WITHIN DIMENSIONS				INITIAL REVISION:					
■ = 0		THIRD ANGLE PROJECTION		DRAWING		SERIES					
▽ = 0		A2-SIZE		31300							

DOCUMENT STATUS	P1	RELEASE DATE	2019/09/12	12:42:00
-----------------	----	--------------	------------	----------