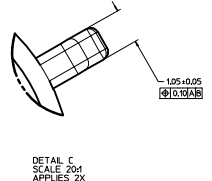
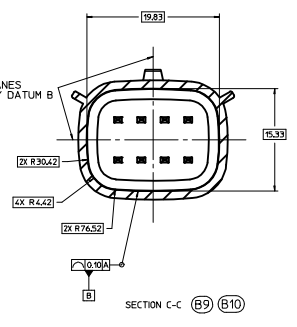
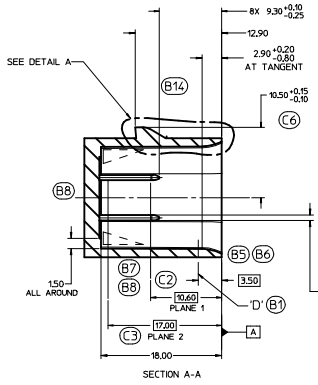
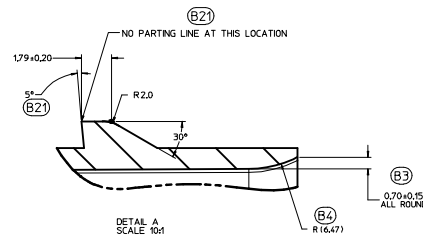
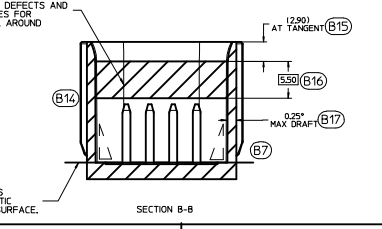
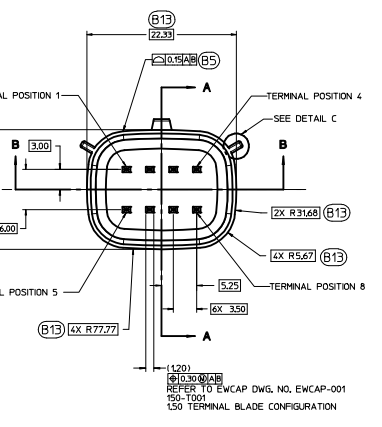
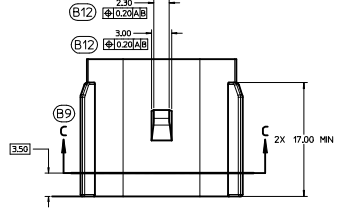
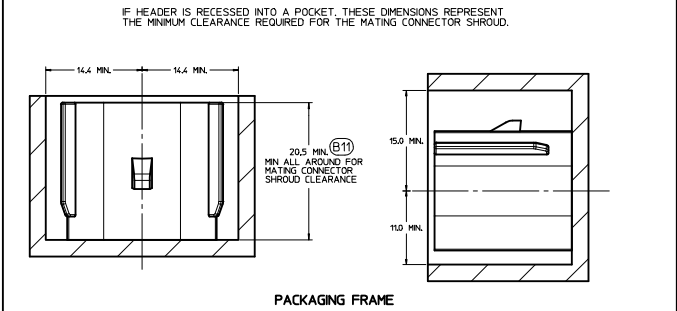


150-S-008-2-D02	D	BLACK
150-S-008-2-C02	C	DK GRAY
150-S-008-2-B02	B	LT GRAY
150-S-008-2-A02	A	BLACK



CONSTRUCTION BELOW THIS SURFACE IS NOT CONTROLLED BY EWCAP. NO PLASTIC FEATURES MAY EXTEND ABOVE THIS SURFACE.



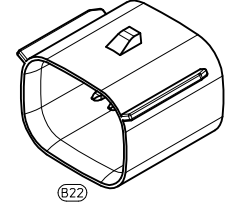
IF HEADER IS RECESSED INTO A POCKET, THESE DIMENSIONS REPRESENT THE MINIMUM CLEARANCE REQUIRED FOR THE MATING CONNECTOR SHROUD.

STANDARD NOTICE

This drawing, or portions of it are controlled by the Electrical Wiring Component Application Partnership (EWCAP) a subgroup of the United States Council for Automotive Research LLC (USCAR) LLC. USCAR is an LLC consisting of members from FCA US LLC, Ford Motor Company and GM Corporation. Any change to a EWCAP controlled portion of this drawing, including a revision record charge must be approved, in writing, by the responsible EWCAP representative from each USCAR member company. Each EWCAP representative authorized to sign for his or her member company is responsible for obtaining all necessary approvals within that company prior to signing for the approval of the change. EWCAP expressly prohibits any party from changing either any EWCAP controlled portion of this drawing or any associated tooling before receiving approval, signed by the authorized representatives, of the USCAR member companies. Reference to the signed change notice must be entered in the drawing control column.

NOTES: UNLESS OTHERWISE SPECIFIED

- ALL DIMENSIONS SHOWN IN MILLIMETERS.
- DIMENSIONING AND TOLERANCING PER ASME Y14.5-2009
- 0.25 RADI ON ALL CORNERS SHOWN SHARP.
- UNSPECIFIED RADI: 0.25 EXCEPT AS NOTED.
- STANDARD COLORS FOR POLARIZATION (SEE CHART). DEVIATION REQUIRES APPROVAL OF AUTHORIZED PERSON.
- REFER TO "SAE/USCAR 12 CONNECTOR GUIDELINES" FOR ADDITIONAL REQUIREMENTS.
- EXCEPT WHERE NOTED, DRAFT ON OUTSIDE SURFACES IS PERMISSIBLE WITHIN TOLERANCE.
- SYMBOL INDICATES DRAFT DIRECTION.
- FOR TERMINAL MATERIAL, DIMENSIONAL AND COATING REQUIREMENTS AND ANY BLADE TERMINAL DESIGN INFORMATION NOT SHOWN ON THIS DRAWING SEE EWCAP DRW. NO. EWCAP-001
- A FULL SHROUD ON THE MATING CONNECTOR IS REQUIRED TO INSURE THAT THE CONNECTOR-HEADER POLARIZATION FEATURES OPTIONS A THRU D WILL FUNCTION. THE FULL SHROUD ALSO PREVENTS SCOP DAMAGE TO THE HEADER PINS. REFER TO "SAE/USCAR-12 CONNECTOR DESIGN GUIDE LINES" FOR ADDITIONAL INFORMATION.
- REFER TO USCAR/EWCAP PART LIST AS FOUND ON WEBSITE <http://www.uscarcorp.org>
- THIS IS A 100% CAD GENERATED PART. THE CAD MATHEMATICAL DATA IS THE MASTER FOR THIS PART. FOR DIMENSIONAL OR ANY INFORMATION NOT SHOWN ON THIS DRAWING, ANALYZE THE CAD MODEL.

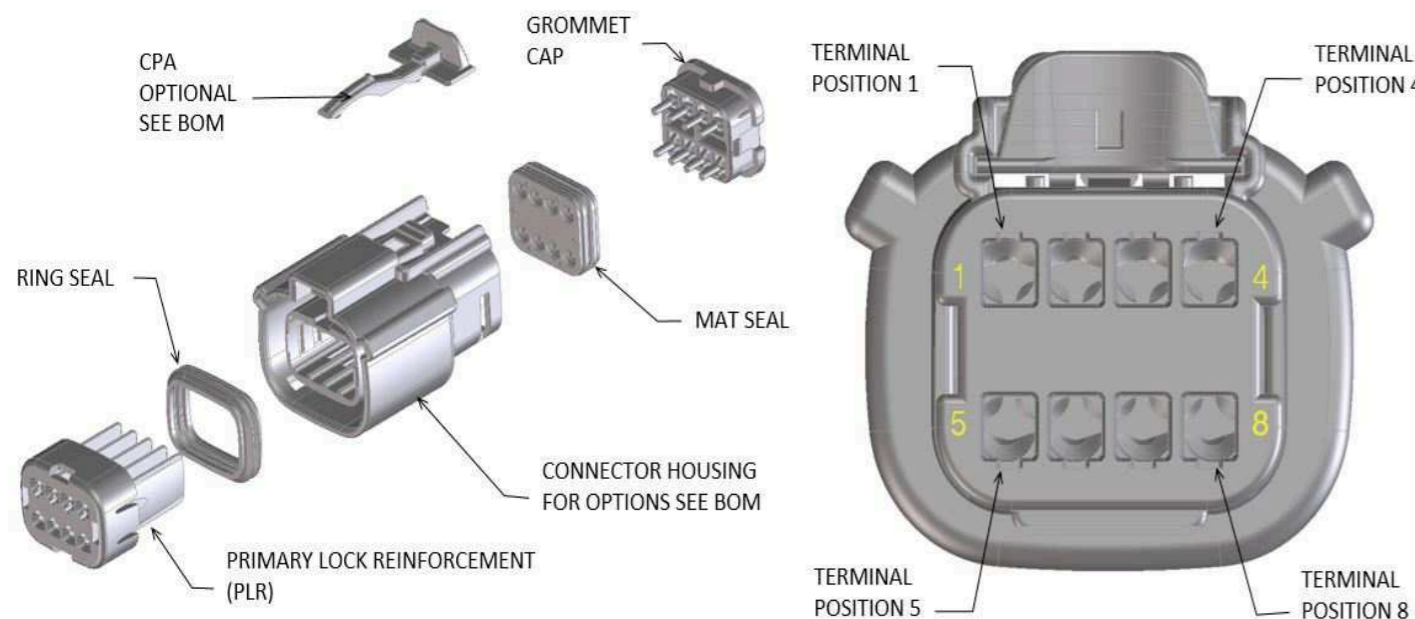


REV	DATE	BY	CHK	DESCRIPTION
132				C6 CORRECTED TOLERANCE CALL OUT FOR LATCH HEIGHT
132				C5 UPDATED CALL OUT FOR POSITION OF GEAR FROM ASME Y14.5-2009 TO Y14.5-2009 IN THE NOTES
132				C4 UPDATED THE STANDARD NOTICE TO THE LATEST TEMPLATE
132				C3 ADDED PLANE 2
132				C2 ADDED PLANE 1
132	02-10-17	MV	KB	C1 ADDED CALL OUT CENTER PLANES ESTABLISHED BY DATUM B
095				B22 CHANGED ID VIEW SCALE TO 4:1 WAS 1:1
095				B21 ADDED PARTING LINE NOTE TO DETAIL A. REMOVED NOTE DASH ANGLE OPTIONAL FROM 5°
095				B20 CORRECTED CHRYSLER GROUP LLC NOMENCLATURE
095				B19 MOVED NOTE TO SECTION B-B
095				B18 UPDATED NOTES
095				B17 ADDED 0.25° MAX DRAFT ANGLE ALL AROUND
095				B16 ADDED [550]
095				B15 ADDED AT TANGENT NOTE
095				B14 REMOVED DATUM D
095				B13 ADDED BASIC DIMENSIONS FOR PROFILE CONTROL
095				B12 ADDED [0.20] [A] [B]
095				B11 DIMENSIONED TO DATUM A
095				B10 SEALING SURFACE DIMENSIONS MOVED TO SECTION C-C
095				B9 ADDED SECTION C-C
095				B8 REMOVED 15.0 AND 2.50 FROM SECTION A-A
095				B7 ADDED DRAFT ANGLE DIRECTION
095				B6 REMOVED 0.80 ±0.50 ±0.20 ALL AROUND
095				B5 REPLACED WALL THICKNESS CONTROL WITH PROBLEM OF A SURFACE
095				B4 ADDED R16.47
095				B3 ADDED 0.70 ±0.15 ALL AROUND
095				B2 UPDATED CONNECTOR COLORS
095				B1 SURFACE OF RELOCATED TO [550] AS B20

LET	REVISION RECORD	DATE	DWN	CHK
A	RELEASED	10-17-07	MV	DG

SCALE	DRAWN BY	CHECKED BY	DATE
4:1	K. LUNNINGHAM	M. ANSLAMBROUCK	03-21-12

**EWCAP**  
 DIRECT CONNECT INTERFACE  
 8 WAY (2 X 4) 1.5 MM SEALED MALE  
 150-S-008-2-202



ABBREVIATION	DESCRIPTION	COLOR	MATERIAL
A-BLACK	HOUSING, KEYING OPTION A	BLACK	SPS/NYLON GF20
B-LIGHT GRAY	HOUSING, KEYING OPTION B	LIGHT GRAY	SPS/NYLON GF20
C-BROWN	HOUSING, KEYING OPTION C	BROWN	SPS/NYLON GF20
D-GREEN	HOUSING, KEYING OPTION D	GREEN	SPS/NYLON GF20
C-DARK GRAY	HOUSING, KEYING OPTION C	DARK GRAY	SPS/NYLON GF20
D-STONE GRAY	HOUSING, KEYING OPTION D	STONE GRAY	SPS/NYLON GF20
D-BLACK	HOUSING, KEYING OPTION D	BLACK	SPS/NYLON GF20
A-YELLOW	HOUSING, KEYING OPTION A	YELLOW	SPS/NYLON GF20
A-BLACK-CLIP	HOUSING, KEYING OPTION A WITH CLIPSLOT	BLACK	SPS/NYLON GF20
B-LIGHT GRAY-CLIP	HOUSING, KEYING OPTION B WITH CLIPSLOT	LIGHT GRAY	SPS/NYLON GF20
C-BROWN-CLIP	HOUSING, KEYING OPTION C WITH CLIPSLOT	BROWN	SPS/NYLON GF20
D-GREEN-CLIP	HOUSING, KEYING OPTION D WITH CLIPSLOT	GREEN	SPS/NYLON GF20
C-DARK GRAY-CLIP	HOUSING, KEYING OPTION C WITH CLIPSLOT	DARK GRAY	SPS/NYLON GF20
D-STONE GRAY-CLIP	HOUSING, KEYING OPTION D WITH CLIPSLOT	STONE GRAY	SPS/NYLON GF20
D-BLACK-CLIP	HOUSING, KEYING OPTION D WITH CLIPSLOT	BLACK	SPS/NYLON GF20
GCO	GROMMET CAP (OPEN)	BLACK	SPS/NYLON GF20
GCP	GROMMET CAP (PLUGGED)	BLACK	SPS/NYLON GF20
PLR	PLR	NATURAL	SPS/NYLON GF20
CPA	CPA	RED	PBT GF30
M	MAT SEAL	LIGHT BLUE	INHERENTLY LUBRICATED SILICONE
RG	RING SEAL	GREEN	INHERENTLY LUBRICATED SILICONE
RR	RING SEAL	RUST RED	INHERENTLY LUBRICATED SILICONE

FOR ADDITIONAL INFORMATION SEE SD-33472-0001

ASSEMBLY DESCRIPTION	ASSEMBLY PART NUMBER	COMPONENT						BLOCKED TERMINALS				STATUS	COMMENT	OPTIONAL ATTACHMENTS SOLD SEPARATELY			
		THE PRESENCE OF AN ABBREVIATION INDICATES THE PRESENCE OF THAT COMPONENT						CAVITY WITH A NUMBER INDICATES BLOCKED TERMINAL POSITION CAVITY WITHOUT A NUMBER INDICATES OPEN TERMINAL POSITION						BACKSHELL WITH RIBS	BACKSHELL WITHOUT RIBS	90° ADAPTOR WITH RIBS	90° ADAPTOR WITHOUT RIBS
		HOUSING KEY/COLOR	GROMMET CAP	PLR	CPA	MAT SEAL	RING SEAL										
MX150 ASSY RCP 2X4 BK A/8	334720801	A-BLACK	GCO	PLR		M	RG	-	-	-	-	PLANNED OBSOLESCENCE	SEE 334724801	N/A	N/A	N/A	N/A
MX150 ASSY RCP 2X4 LG B/8	334720802	B-LIGHT GRAY	GCO	PLR		M	RG	-	-	-	-	PLANNED OBSOLESCENCE	SEE 334724802	N/A	N/A	N/A	N/A
MX150 ASSY RCP 2X4 BR C/8	334720803	C-BROWN	GCO	PLR		M	RG	-	-	-	-	PLANNED OBSOLESCENCE	SEE 334724879	N/A	N/A	N/A	N/A
MX150 ASSY RCP 2X4 GR D/8	334720804	D-GREEN	GCO	PLR		M	RG	-	-	-	-	PLANNED OBSOLESCENCE	SEE 334724880	N/A	N/A	N/A	N/A
MX150 ASSY RCP 2X4 BK D/8	334720805	D-BLACK	GCO	PLR		M	RG	-	-	-	-	PLANNED OBSOLESCENCE	SEE 334724805	N/A	N/A	N/A	N/A
MX150 ASSY RCP 2X4 CPA BK A/8	334720806	A-BLACK	GCO	PLR	CPA	M	RG	-	-	-	-	PLANNED OBSOLESCENCE	SEE 334724806	N/A	N/A	N/A	N/A
MX150 ASSY RCP 2X4 CPA LG B/8	334720807	B-LIGHT GRAY	GCO	PLR	CPA	M	RG	-	-	-	-	PLANNED OBSOLESCENCE	SEE 334724807	N/A	N/A	N/A	N/A
MX150 ASSY RCP 2X4 CPA BR C/8	334720808	C-BROWN	GCO	PLR	CPA	M	RG	-	-	-	-	PLANNED OBSOLESCENCE	SEE 334724881	N/A	N/A	N/A	N/A
MX150 ASSY RCP 2X4 CPA GR D/8	334720809	D-GREEN	GCO	PLR	CPA	M	RG	-	-	-	-	PLANNED OBSOLESCENCE	SEE 334724882	N/A	N/A	N/A	N/A
MX150 ASSY RCP 2X4 BK A/7	334720811	A-BLACK	GCP	PLR		M	RG	-	-	-	4	PLANNED OBSOLESCENCE	SEE 334724811	N/A	N/A	N/A	N/A
MX150 ASSY RCP 2X4 LG B/7	334720812	B-LIGHT GRAY	GCP	PLR		M	RG	-	-	-	4	PLANNED OBSOLESCENCE	SEE 334724812	N/A	N/A	N/A	N/A
MX150 ASSY RCP 2X4 BR C/7	334720813	C-BROWN	GCP	PLR		M	RG	-	-	-	4	PLANNED OBSOLESCENCE		N/A	N/A	N/A	N/A
MX150 ASSY RCP 2X4 GR D/7	334720814	D-GREEN	GCP	PLR		M	RG	-	-	-	4	PLANNED OBSOLESCENCE	SEE 334725026	N/A	N/A	N/A	N/A

ASSEMBLY DESCRIPTION	ASSEMBLY PART NUMBER	COMPONENT						BLOCKED TERMINALS				STATUS	COMMENT	OPTIONAL ATTACHMENTS SOLD SEPARATELY			
		THE PRESENCE OF AN ABBREVIATION INDICATES THE PRESENCE OF THAT COMPONENT						CAVITY WITH A NUMBER INDICATES BLOCKED TERMINAL POSITION CAVITY WITHOUT A NUMBER INDICATES OPEN TERMINAL POSITION						BACKSHELL WITH RIBS	BACKSHELL WITHOUT RIBS	90° ADAPTOR WITH RIBS	90° ADAPTOR WITHOUT RIBS
		HOUSING KEY/COLOR	GROMMET CAP	PLR	CPA	MAT SEAL	RING SEAL										
MX150 ASSY RCP 2X4 CPA BK A/7	334720816	A-BLACK	GCP	PLR	CPA	M	RG	-	-	-	4	PLANNED OBSOLESCENCE	SEE 334724816	N/A	N/A	N/A	N/A
MX150 ASSY RCP 2X4 CPA LG B/7	334720817	B-LIGHT GRAY	GCP	PLR	CPA	M	RG	-	-	-	4	PLANNED OBSOLESCENCE	SEE 334724817	N/A	N/A	N/A	N/A
MX150 ASSY RCP 2X4 CPA BR C/7	334720818	C-BROWN	GCP	PLR	CPA	M	RG	-	-	-	4	PLANNED OBSOLESCENCE		N/A	N/A	N/A	N/A
MX150 ASSY RCP 2X4 CPA GR D/7	334720819	D-GREEN	GCP	PLR	CPA	M	RG	-	-	-	4	PLANNED OBSOLESCENCE	SEE 334725009	N/A	N/A	N/A	N/A
MX150 ASSY RCP 2X4 BK A/6	334720821	A-BLACK	GCP	PLR		M	RG	-	-	-	4	PLANNED OBSOLESCENCE	SEE 334724821	N/A	N/A	N/A	N/A
MX150 ASSY RCP 2X4 LG B/6	334720822	B-LIGHT GRAY	GCP	PLR		M	RG	-	-	-	4	PLANNED OBSOLESCENCE	SEE 334724822	N/A	N/A	N/A	N/A
MX150 ASSY RCP 2X4 BR C/6	334720823	C-BROWN	GCP	PLR		M	RG	-	-	-	4	PLANNED OBSOLESCENCE		N/A	N/A	N/A	N/A
MX150 ASSY RCP 2X4 GR D/6	334720824	D-GREEN	GCP	PLR		M	RG	-	-	-	4	PLANNED OBSOLESCENCE		N/A	N/A	N/A	N/A
MX150 ASSY RCP 2X4 CPA BK A/6	334720826	A-BLACK	GCP	PLR	CPA	M	RG	-	-	-	4	PLANNED OBSOLESCENCE	SEE 334724826	N/A	N/A	N/A	N/A
MX150 ASSY RCP 2X4 CPA LG B/6	334720827	B-LIGHT GRAY	GCP	PLR	CPA	M	RG	-	-	-	4	PLANNED OBSOLESCENCE	SEE 334724827	N/A	N/A	N/A	N/A
MX150 ASSY RCP 2X4 CPA BR C/6	334720828	C-BROWN	GCP	PLR	CPA	M	RG	-	-	-	4	PLANNED OBSOLESCENCE		N/A	N/A	N/A	N/A
MX150 ASSY RCP 2X4 CPA GR D/6	334720829	D-GREEN	GCP	PLR	CPA	M	RG	-	-	-	4	PLANNED OBSOLESCENCE	SEE 334725010	N/A	N/A	N/A	N/A
MX150 ASSY RCP 2X4 BK A/5	334720831	A-BLACK	GCP	PLR		M	RG	1	-	-	4	PLANNED OBSOLESCENCE	SEE 334724831	N/A	N/A	N/A	N/A
MX150 ASSY RCP 2X4 LG B/5	334720832	B-LIGHT GRAY	GCP	PLR		M	RG	1	-	-	4	PLANNED OBSOLESCENCE	SEE 334724832	N/A	N/A	N/A	N/A
MX150 ASSY RCP 2X4 BR C/5	334720833	C-BROWN	GCP	PLR		M	RG	1	-	-	4	PLANNED OBSOLESCENCE		N/A	N/A	N/A	N/A
MX150 ASSY RCP 2X4 GR D/5	334720834	D-GREEN	GCP	PLR		M	RG	1	-	-	4	PLANNED OBSOLESCENCE		N/A	N/A	N/A	N/A
MX150 ASSY RCP 2X4 CPA BK A/5	334720836	A-BLACK	GCP	PLR	CPA	M	RG	1	-	-	4	PLANNED OBSOLESCENCE	SEE 334724836	N/A	N/A	N/A	N/A
MX150 ASSY RCP 2X4 CPA LG B/5	334720837	B-LIGHT GRAY	GCP	PLR	CPA	M	RG	1	-	-	4	PLANNED OBSOLESCENCE	SEE 334724837	N/A	N/A	N/A	N/A
MX150 ASSY RCP 2X4 CPA BR C/5	334720838	C-BROWN	GCP	PLR	CPA	M	RG	1	-	-	4	PLANNED OBSOLESCENCE		N/A	N/A	N/A	N/A
MX150 ASSY RCP 2X4 CPA GR D/5	334720839	D-GREEN	GCP	PLR	CPA	M	RG	1	-	-	4	PLANNED OBSOLESCENCE		N/A	N/A	N/A	N/A
MX150 ASSY RCP 2X4 BK A/4	334720841	A-BLACK	GCP	PLR		M	RG	1	-	-	4	PLANNED OBSOLESCENCE	SEE 334724841	N/A	N/A	N/A	N/A
MX150 ASSY RCP 2X4 LG B/4	334720842	B-LIGHT GRAY	GCP	PLR		M	RG	1	-	-	4	PLANNED OBSOLESCENCE	SEE 334724842	N/A	N/A	N/A	N/A
MX150 ASSY RCP 2X4 BR C/4	334720843	C-BROWN	GCP	PLR		M	RG	1	-	-	4	PLANNED OBSOLESCENCE		N/A	N/A	N/A	N/A
MX150 ASSY RCP 2X4 GR D/4	334720844	D-GREEN	GCP	PLR		M	RG	1	-	-	4	PLANNED OBSOLESCENCE		N/A	N/A	N/A	N/A
MX150 ASSY RCP 2X4 CPA BK A/4	334720846	A-BLACK	GCP	PLR	CPA	M	RG	1	-	-	4	PLANNED OBSOLESCENCE	SEE 334724846	N/A	N/A	N/A	N/A
MX150 ASSY RCP 2X4 CPA LG B/4	334720847	B-LIGHT GRAY	GCP	PLR	CPA	M	RG	1	-	-	4	PLANNED OBSOLESCENCE	SEE 334724847	N/A	N/A	N/A	N/A
MX150 ASSY RCP 2X4 CPA BR C/4	334720848	C-BROWN	GCP	PLR	CPA	M	RG	1	-	-	4	PLANNED OBSOLESCENCE		N/A	N/A	N/A	N/A

ASSEMBLY DESCRIPTION	ASSEMBLY PART NUMBER	COMPONENT						BLOCKED TERMINALS				STATUS	COMMENT	OPTIONAL ATTACHMENTS SOLD SEPARATELY			
		THE PRESENCE OF AN ABBREVIATION INDICATES THE PRESENCE OF THAT COMPONENT						CAVITY WITH A NUMBER INDICATES BLOCKED TERMINAL POSITION CAVITY WITHOUT A NUMBER INDICATES OPEN TERMINAL POSITION						BACKSHELL WITH RIBS	BACKSHELL WITHOUT RIBS	90° ADAPTOR WITH RIBS	90° ADAPTOR WITHOUT RIBS
		HOUSING KEY/COLOR	GROMMET CAP	PLR	CPA	MAT SEAL	RING SEAL										
MX150 ASSY RCP 2X4 CPA GR D/4	334720849	D-GREEN	GCP	PLR	CPA	M	RG	1	-	-	4	PLANNED OBSOLESCENCE		N/A	N/A	N/A	N/A
								5	-	-	8						
MX150 ASSY RCP 2X4 BK A/0	334720851	A-BLACK	GCP	PLR		M	RG	1	2	3	4	PLANNED OBSOLESCENCE	SEE 334724851	N/A	N/A	N/A	N/A
								5	6	7	8						
MX150 ASSY RCP 2X4 LG B/0	334720852	B-LIGHT GRAY	GCP	PLR		M	RG	1	2	3	4	PLANNED OBSOLESCENCE	SEE 334724852	N/A	N/A	N/A	N/A
								5	6	7	8						
MX150 ASSY RCP 2X4 BR C/0	334720853	C-BROWN	GCP	PLR		M	RG	1	2	3	4	PLANNED OBSOLESCENCE		N/A	N/A	N/A	N/A
								5	6	7	8						
MX150 ASSY RCP 2X4 GR D/0	334720854	D-GREEN	GCP	PLR		M	RG	1	2	3	4	PLANNED OBSOLESCENCE	SEE 334725057	N/A	N/A	N/A	N/A
								5	6	7	8						
MX150 ASSY RCP 2X4 BK D/0	334720855	D-BLACK	GCP	PLR		M	RG	1	2	3	4	PLANNED OBSOLESCENCE	SEE 334724855	N/A	N/A	N/A	N/A
								5	6	7	8						
MX150 ASSY RCP 2X4 CPA BK A/5	334720856	A-BLACK	GCP	PLR	CPA	M	RG	-	2	-	-	PLANNED OBSOLESCENCE	SEE 334724856	N/A	N/A	N/A	N/A
								-	6	7	-						
MX150 ASSY RCP 2X4 CPA BK A/3	334720857	A-BLACK	GCP	PLR	CPA	M	RG	1	2	-	-	PLANNED OBSOLESCENCE	SEE 334724857	N/A	N/A	N/A	N/A
								5	6	7	-						
MX150 ASSY RCP 2X4 CPA BK A/2	334720858	A-BLACK	GCP	PLR	CPA	M	RG	1	2	3	-	PLANNED OBSOLESCENCE	SEE 334724858	N/A	N/A	N/A	N/A
								5	6	7	-						
MX150 ASSY RCP 2X4 BK A/2	334720859	A-BLACK	GCP	PLR		M	RG	1	2	3	-	PLANNED OBSOLESCENCE	SEE 334724859	N/A	N/A	N/A	N/A
								-	6	7	8						
MX150 ASSY RCP 2X4 BK D/7	334720860	D-BLACK	GCP	PLR		M	RG	-	-	-	4	PLANNED OBSOLESCENCE	SEE 334724860	N/A	N/A	N/A	N/A
								-	-	-	-						
MX150 ASSY RCP 2X4 BK A/7	334720861	A-BLACK	GCP	PLR		M	RG	-	-	-	-	PLANNED OBSOLESCENCE	SEE 334724861	N/A	N/A	N/A	N/A
								-	-	-	8						
MX150 ASSY RCP 2X4 BK A/7	334720862	A-BLACK	GCP	PLR		M	RG	1	-	-	-	PLANNED OBSOLESCENCE	SEE 334724862	N/A	N/A	N/A	N/A
								-	-	-	-						
MX150 ASSY RCP 2X4 BK A/4	334720863	A-BLACK	GCP	PLR		M	RG	-	2	3	-	PLANNED OBSOLESCENCE	SEE 334724863	N/A	N/A	N/A	N/A
								5	-	-	8						
MX150 ASSY RCP 2X4 BK A/5	334720864	A-BLACK	GCP	PLR		M	RG	1	-	3	-	PLANNED OBSOLESCENCE	SEE 334724864	N/A	N/A	N/A	N/A
								5	-	-	-						
MX150 ASSY RCP 2X4 BK A/6	334720865	A-BLACK	GCP	PLR		M	RG	1	-	-	-	PLANNED OBSOLESCENCE	SEE 334724865	N/A	N/A	N/A	N/A
								-	6	-	-						
MX150 ASSY RCP 2X4 BK A/3	334720866	A-BLACK	GCP	PLR		M	RG	-	2	3	-	PLANNED OBSOLESCENCE	SEE 334724866	N/A	N/A	N/A	N/A
								5	6	-	8						
MX150 ASSY RCP 2X4 BK A/4	334720867	A-BLACK	GCP	PLR		M	RG	1	-	3	-	PLANNED OBSOLESCENCE	SEE 334724867	N/A	N/A	N/A	N/A
								5	6	-	-						
MX150 ASSY RCP 2X4 BK A/5	334720868	A-BLACK	GCP	PLR		M	RG	-	-	-	-	PLANNED OBSOLESCENCE	SEE 334724868	N/A	N/A	N/A	N/A
								5	6	-	8						
MX150 ASSY RCP 2X4 BK A/7	334720869	A-BLACK	GCP	PLR		M	RG	-	-	-	-	PLANNED OBSOLESCENCE	SEE 334724869	N/A	N/A	N/A	N/A
								-	6	-	-						
MX150 ASSY RCP 2X4 BK A/2	334720870	A-BLACK	GCP	PLR		M	RG	1	-	3	-	PLANNED OBSOLESCENCE	SEE 334724870	N/A	N/A	N/A	N/A
								5	6	7	8						
MX150 ASSY RCP 2X4 BK A/2	334720871	A-BLACK	GCP	PLR		M	RG	-	2	3	4	PLANNED OBSOLESCENCE	SEE 334724871	N/A	N/A	N/A	N/A
								5	6	7	-						
MX150 ASSY RCP 2X4 BK A/6	334720872	A-BLACK	GCP	PLR		M	RG	-	-	-	-	PLANNED OBSOLESCENCE	SEE 334724872	N/A	N/A	N/A	N/A
								-	-	7	8						
MX150 ASSY RCP 2X4 BK A/3	334720873	A-BLACK	GCP	PLR		M	RG	-	2	3	-	PLANNED OBSOLESCENCE	SEE 334724873	N/A	N/A	N/A	N/A
								-	6	7	8						
MX150 ASSY RCP 2X4 BK A/6	334720874	A-BLACK	GCP	PLR		M	RG	-	2	3	-	PLANNED OBSOLESCENCE	SEE 334724874	N/A	N/A	N/A	N/A
								-	-	-	-						
MX150 ASSY RCP 2X4 BK A/5	334720878	A-BLACK	GCP	PLR		M	RG	-	-	3	-	PLANNED OBSOLESCENCE	SEE 334724878	N/A	N/A	N/A	N/A
								5	6	-	-						
MX150 ASSY RCP 2X4 DG C/8	334720879	C-DARK GRAY	GCO	PLR		M	RG	-	-	-	-	PLANNED OBSOLESCENCE	SEE 334724879	N/A	N/A	N/A	N/A
								-	-	-	-						

ASSEMBLY DESCRIPTION	ASSEMBLY PART NUMBER	COMPONENT						BLOCKED TERMINALS				STATUS	COMMENT	OPTIONAL ATTACHMENTS SOLD SEPARATELY			
		THE PRESENCE OF AN ABBREVIATION INDICATES THE PRESENCE OF THAT COMPONENT						CAVITY WITH A NUMBER INDICATES BLOCKED TERMINAL POSITION CAVITY WITHOUT A NUMBER INDICATES OPEN TERMINAL POSITION						BACKSHELL WITH RIBS	BACKSHELL WITHOUT RIBS	90° ADAPTOR WITH RIBS	90° ADAPTOR WITHOUT RIBS
		HOUSING KEY/COLOR	GROMMET CAP	PLR	CPA	MAT SEAL	RING SEAL										
MX150 ASSY RCP 2X4 SG D/8	334720880	D-STONE GRAY	GCO	PLR		M	RG	-	-	-	-	PLANNED OBSOLESCENCE	SEE 334724880	N/A	N/A	N/A	N/A
MX150 ASSY RCP 2X4 CPA DG C/8	334720881	C-DARK GRAY	GCO	PLR	CPA	M	RG	-	-	-	-	PLANNED OBSOLESCENCE	SEE 334724881	N/A	N/A	N/A	N/A
MX150 ASSY RCP 2X4 CPA SG D/8	334720882	D-STONE GRAY	GCO	PLR	CPA	M	RG	-	-	-	-	PLANNED OBSOLESCENCE	SEE 334724882	N/A	N/A	N/A	N/A
MX150 ASSY RCP 2X4 BK A/2	334720883	A-BLACK	GCP	PLR		M	RG	-	2	3	4	PLANNED OBSOLESCENCE	SEE 334724883	N/A	N/A	N/A	N/A
MX150 ASSY RCP 2X4 BK A/5	334720884	A-BLACK	GCP	PLR		M	RG	-	-	3	-	PLANNED OBSOLESCENCE	SEE 334724884	N/A	N/A	N/A	N/A
MX150 ASSY RCP 2X4 BK A/2	334720885	A-BLACK	GCP	PLR		M	RG	-	2	3	4	PLANNED OBSOLESCENCE	SEE 334724885	N/A	N/A	N/A	N/A
MX150 ASSY RCP 2X4 BK A/5	334720886	A-BLACK	GCP	PLR		M	RG	-	-	3	-	PLANNED OBSOLESCENCE	SEE 334724886	N/A	N/A	N/A	N/A
MX150 ASSY RCP 2X4 CPA LG B/7	334720887	B-LIGHT GRAY	GCP	PLR	CPA	M	RG	-	-	-	-	PLANNED OBSOLESCENCE	SEE 334724887	N/A	N/A	N/A	N/A
MX150 ASSY RCP 2X4 LG B/6	334720888	B-LIGHT GRAY	GCP	PLR		M	RG	1	-	-	-	PLANNED OBSOLESCENCE	SEE 334724888	N/A	N/A	N/A	N/A
MX150 ASSY RCP 2X4 BK A/6	334720889	A-BLACK	GCP	PLR		M	RG	1	-	-	-	PLANNED OBSOLESCENCE	SEE 334724889	N/A	N/A	N/A	N/A
MX150 ASSY RCP 2X4 CPA YW A/6	334720890	A-YELLOW	GCP	PLR	CPA	M	RG	-	2	3	-	PLANNED OBSOLESCENCE	SEE 334724890	N/A	N/A	N/A	N/A
MX150 ASSY RCP 2X4 CPA YW A/8	334720891	A-YELLOW	GCO	PLR	CPA	M	RG	-	-	-	-	PLANNED OBSOLESCENCE	SEE 334724891	N/A	N/A	N/A	N/A
MX150 ASSY RCP 2X4 YW A/8	334720892	A-YELLOW	GCO	PLR		M	RG	-	-	-	-	PLANNED OBSOLESCENCE	SEE 334724892	N/A	N/A	N/A	N/A
MX150 ASSY RCP 2X4 CPA BK A/7	334720893	A-BLACK	GCP	PLR	CPA	M	RG	-	-	-	-	PLANNED OBSOLESCENCE	SEE 334724893	N/A	N/A	N/A	N/A
MX150 ASSY RCP 2X4 CPA BK A/2	334720894	A-BLACK	GCP	PLR	CPA	M	RG	1	2	3	-	PLANNED OBSOLESCENCE	SEE 334724894	N/A	N/A	N/A	N/A
MX150 ASSY RCP 2X4 BK A/6	334720895	A-BLACK	GCP	PLR		M	RG	1	2	-	-	PLANNED OBSOLESCENCE	SEE 334724895	N/A	N/A	N/A	N/A
MX150 ASSY RCP 2X4 CS BK A/8	334720901	A-BLACK-CLIP	GCO	PLR		M	RG	-	-	-	-	PLANNED OBSOLESCENCE	SEE 334724901	34951-0811	34951-0821	34951-0831	34951-0841
MX150 ASSY RCP 2X4 CSLG B/8	334720902	B-LIGHT GRAY-CLIP	GCO	PLR		M	RG	-	-	-	-	PLANNED OBSOLESCENCE	SEE 334724902	34951-0811	34951-0821	34951-0831	34951-0841
MX150 ASSY RCP 2X4 CS BR C/8	334720903	C-BROWN-CLIP	GCO	PLR		M	RG	-	-	-	-	PLANNED OBSOLESCENCE	SEE 334724922	34951-0811	34951-0821	34951-0831	34951-0841
MX150 ASSY RCP 2X4 CS GR D/8	334720904	D-GREEN-CLIP	GCO	PLR		M	RG	-	-	-	-	PLANNED OBSOLESCENCE	SEE 334724923	34951-0811	34951-0821	34951-0831	34951-0841
MX150 ASSY RCP 2X4 CS BK D/8	334720905	D-BLACK-CLIP	GCO	PLR		M	RG	-	-	-	-	PLANNED OBSOLESCENCE	SEE 334724905	34951-0811	34951-0821	34951-0831	34951-0841
MX150 ASSY RCP 2X4 CS CPA BK A/8	334720906	A-BLACK-CLIP	GCO	PLR	CPA	M	RG	-	-	-	-	PLANNED OBSOLESCENCE	SEE 334724906	34951-0811	34951-0821	34951-0831	34951-0841
MX150 ASSY RCP 2X4 CS CPA LG B/8	334720907	B-LIGHT GRAY-CLIP	GCO	PLR	CPA	M	RG	-	-	-	-	PLANNED OBSOLESCENCE	SEE 334724907	34951-0811	34951-0821	34951-0831	34951-0841
MX150 ASSY RCP 2X4 CS CPA BR C/8	334720908	C-BROWN-CLIP	GCO	PLR	CPA	M	RG	-	-	-	-	PLANNED OBSOLESCENCE	SEE 334724924	34951-0811	34951-0821	34951-0831	34951-0841
MX150 ASSY RCP 2X4 CS CPA GR D/8	334720909	D-GREEN-CLIP	GCO	PLR	CPA	M	RG	-	-	-	-	PLANNED OBSOLESCENCE	SEE 334724925	34951-0811	34951-0821	34951-0831	34951-0841
MX150 ASSY RCP 2X4 CS BK A/7	334720910	A-BLACK-CLIP	GCP	PLR		M	RG	-	-	-	4	PLANNED OBSOLESCENCE	SEE 334724910	34951-0811	34951-0821	34951-0831	34951-0841
MX150 ASSY RCP 2X4 CS BK A/6	334720920	A-BLACK-CLIP	GCP	PLR		M	RG	-	-	-	4	PLANNED OBSOLESCENCE	SEE 334724920	34951-0811	34951-0821	34951-0831	34951-0841



ASSEMBLY DESCRIPTION	ASSEMBLY PART NUMBER	COMPONENT						BLOCKED TERMINALS				STATUS	COMMENT	OPTIONAL ATTACHMENTS SOLD SEPARATELY			
		THE PRESENCE OF AN ABBREVIATION INDICATES THE PRESENCE OF THAT COMPONENT						CAVITY WITH A NUMBER INDICATES BLOCKED TERMINAL POSITION CAVITY WITHOUT A NUMBER INDICATES OPEN TERMINAL POSITION						BACKSHELL WITH RIBS	BACKSHELL WITHOUT RIBS	90° ADAPTOR WITH RIBS	90° ADAPTOR WITHOUT RIBS
		HOUSING KEY/COLOR	GROMMET CAP	PLR	CPA	MAT SEAL	RING SEAL										
MX150 ASSY RCP 2X4 CS BK A/7	334720921	A-BLACK-CLIP	GCP	PLR		M	RG	-	-	-	-	PLANNED OBSOLESCENCE	SEE 334724921	34951-0811	34951-0821	34951-0831	34951-0841
MX150 ASSY RCP 2X4 CS DG C/8	334720922	C-DARK GRAY-CLIP	GCO	PLR		M	RG	-	-	-	8	PLANNED OBSOLESCENCE	SEE 334724922	34951-0811	34951-0821	34951-0831	34951-0841
MX150 ASSY RCP 2X4 CS SG D/8	334720923	D-STONE GRAY-CLIP	GCO	PLR		M	RG	-	-	-	-	PLANNED OBSOLESCENCE	SEE 334724923	34951-0811	34951-0821	34951-0831	34951-0841
MX150 ASSY RCP 2X4 CS CPA DG C/8	334720924	C-DARK GRAY-CLIP	GCO	PLR	CPA	M	RG	-	-	-	-	PLANNED OBSOLESCENCE	SEE 334724924	34951-0811	34951-0821	34951-0831	34951-0841
MX150 ASSY RCP 2X4 CS CPA SG D/8	334720925	D-STONE GRAY-CLIP	GCO	PLR	CPA	M	RG	-	-	-	-	PLANNED OBSOLESCENCE	SEE 334724925	34951-0811	34951-0821	34951-0831	34951-0841
MX150 ASSY RCP 2X4 CS LG B/6	334720926	B-LIGHT GRAY-CLIP	GCP	PLR		M	RG	-	-	-	4	PLANNED OBSOLESCENCE	SEE 334724926	34951-0811	34951-0821	34951-0831	34951-0841
MX150 ASSY RCP 2X4 CS CPA BK A/6	334720927	A-BLACK-CLIP	GCP	PLR	CPA	M	RG	-	-	-	4	PLANNED OBSOLESCENCE	SEE 334724927	34951-0811	34951-0821	34951-0831	34951-0841
MX150 ASSY RCP 2X4 CS CPA LG B/6	334720928	B-LIGHT GRAY-CLIP	GCP	PLR	CPA	M	RG	-	-	-	4	PLANNED OBSOLESCENCE	SEE 334724928	34951-0811	34951-0821	34951-0831	34951-0841
MX150 ASSY RCP 2X4 CS BK A/4	334720929	A-BLACK-CLIP	GCP	PLR		M	RG	-	-	-	4	PLANNED OBSOLESCENCE	SEE 334724929	34951-0811	34951-0821	34951-0831	34951-0841
MX150 ASSY RCP 2X4 CS BK A/2	334720930	A-BLACK-CLIP	GCP	PLR		M	RG	5	2	3	4	PLANNED OBSOLESCENCE	SEE 334724930	34951-0811	34951-0821	34951-0831	34951-0841
MX150 ASSY RCP 2X4 CS BK A/4	334720931	A-BLACK-CLIP	GCP	PLR		M	RG	1	2	3	-	PLANNED OBSOLESCENCE	SEE 334724931	34951-0811	34951-0821	34951-0831	34951-0841
MX150 ASSY RCP 2X4 CS BK A/6	334720932	A-BLACK-CLIP	GCP	PLR		M	RG	1	-	-	-	PLANNED OBSOLESCENCE	SEE 334724932	34951-0811	34951-0821	34951-0831	34951-0841
MX150 ASSY RCP 2X4 CS CPA BK A/7	334720933	A-BLACK-CLIP	GCP	PLR	CPA	M	RG	-	-	-	8	PLANNED OBSOLESCENCE	SEE 334724933	34951-0811	34951-0821	34951-0831	34951-0841
MX150 ASSY RCP 2X4 CS CPA LG B/7	334720934	B-LIGHT GRAY-CLIP	GCP	PLR	CPA	M	RG	-	-	-	8	PLANNED OBSOLESCENCE	SEE 334724934	34951-0811	34951-0821	34951-0831	34951-0841
MX150 ASSY RCP 2X4 CS CPA BK A/2	334720935	A-BLACK-CLIP	GCP	PLR	CPA	M	RG	-	2	3	4	PLANNED OBSOLESCENCE	SEE 334724935	34951-0811	34951-0821	34951-0831	34951-0841
MX150 ASSY RCP 2X4 CS BK A/5	334720936	A-BLACK-CLIP	GCP	PLR		M	RG	-	-	-	-	PLANNED OBSOLESCENCE	SEE 334724936	34951-0811	34951-0821	34951-0831	34951-0841
MX150 ASSY RCP 2X4 CS BK A/6	334720937	A-BLACK-CLIP	GCP	PLR		M	RG	-	-	-	-	PLANNED OBSOLESCENCE	SEE 334724937	34951-0811	34951-0821	34951-0831	34951-0841
MX150 ASSY RCP 2X4 CS BK A/7	334720938	A-BLACK-CLIP	GCP	PLR		M	RG	5	-	-	-	PLANNED OBSOLESCENCE	SEE 334724938	34951-0811	34951-0821	34951-0831	34951-0841
MX150 ASSY RCP 2X4 CS BK A/3	334720939	A-BLACK-CLIP	GCP	PLR		M	RG	-	-	-	4	PLANNED OBSOLESCENCE	SEE 334724939	34951-0811	34951-0821	34951-0831	34951-0841
MX150 ASSY RCP 2X4 CS BK A/4	334720940	A-BLACK-CLIP	GCP	PLR		M	RG	1	2	-	-	PLANNED OBSOLESCENCE	SEE 334724940	34951-0811	34951-0821	34951-0831	34951-0841
MX150 ASSY RCP 2X4 CS BK A/2	334720941	A-BLACK-CLIP	GCP	PLR		M	RG	1	2	3	4	PLANNED OBSOLESCENCE	SEE 334724941	34951-0811	34951-0821	34951-0831	34951-0841
MX150 ASSY RCP 2X4 CS BK A/5	334720944	A-BLACK-CLIP	GCP	PLR		M	RG	-	-	-	4	PLANNED OBSOLESCENCE	SEE 334724944	34951-0811	34951-0821	34951-0831	34951-0841
MX150 ASSY RCP 2X4 CS BK A/7	334720945	A-BLACK-CLIP	GCP	PLR		M	RG	-	-	-	-	PLANNED OBSOLESCENCE	SEE 334724945	34951-0811	34951-0821	34951-0831	34951-0841
MX150 ASSY RCP 2X4 CS BK A/6	334720946	A-BLACK-CLIP	GCP	PLR		M	RG	-	-	3	-	PLANNED OBSOLESCENCE	SEE 334724946	34951-0811	34951-0821	34951-0831	34951-0841
MX150 ASSY RCP 2X4 BK A/4	334721001	A-BLACK	GCP	PLR		M	RG	1	2	3	4	PLANNED OBSOLESCENCE	SEE 334725001	N/A	N/A	N/A	N/A
MX150 ASSY RCP 2X4 LG B/7	334721002	B-LIGHT GRAY	GCP	PLR		M	RG	-	-	-	-	PLANNED OBSOLESCENCE	SEE 334725002	N/A	N/A	N/A	N/A
MX150 ASSY RCP 2X4 BK A/2	334721006	A-BLACK	GCP	PLR		M	RG	1	2	3	4	PLANNED OBSOLESCENCE	SEE 334725006	N/A	N/A	N/A	N/A

ASSEMBLY DESCRIPTION	ASSEMBLY PART NUMBER	COMPONENT						BLOCKED TERMINALS				STATUS	COMMENT	OPTIONAL ATTACHMENTS SOLD SEPARATELY			
		THE PRESENCE OF AN ABBREVIATION INDICATES THE PRESENCE OF THAT COMPONENT						CAVITY WITH A NUMBER INDICATES BLOCKED TERMINAL POSITION CAVITY WITHOUT A NUMBER INDICATES OPEN TERMINAL POSITION						BACKSHELL WITH RIBS	BACKSHELL WITHOUT RIBS	90° ADAPTOR WITH RIBS	90° ADAPTOR WITHOUT RIBS
		HOUSING KEY/COLOR	GROMMET CAP	PLR	CPA	MAT SEAL	RING SEAL										
MX150 ASSY RCP 2X4 CPA BK A/6	334721007	A-BLACK	GCP	PLR	CPA	M	RG	-	-	-	-	PLANNED OBSOLESCENCE	SEE 334725007	N/A	N/A	N/A	N/A
MX150 ASSY RCP 2X4 CPA BK A/7	334721008	A-BLACK	GCP	PLR	CPA	M	RG	-	-	-	-	PLANNED OBSOLESCENCE	SEE 334725008	N/A	N/A	N/A	N/A
MX150 ASSY RCP 2X4 CPA SG D/7	334721009	D-STONE GRAY	GCP	PLR	CPA	M	RG	-	-	-	4	PLANNED OBSOLESCENCE	SEE 334725009	N/A	N/A	N/A	N/A
MX150 ASSY RCP 2X4 CPA SG D/6	334721010	D-STONE GRAY	GCP	PLR	CPA	M	RG	-	-	-	4	PLANNED OBSOLESCENCE	SEE 334725010	N/A	N/A	N/A	N/A
MX150 ASSY RCP 2X4 CPA SG D/5	334721011	D-STONE GRAY	GCP	PLR	CPA	M	RG	-	-	-	4	PLANNED OBSOLESCENCE	SEE 334725011	N/A	N/A	N/A	N/A
MX150 ASSY RCP 2X4 BK A/5	334721012	A-BLACK	GCP	PLR		M	RG	-	-	-	4	PLANNED OBSOLESCENCE	SEE 334725012	N/A	N/A	N/A	N/A
MX150 ASSY RCP 2X4 CPA BK A/2	334721013	A-BLACK	GCP	PLR	CPA	M	RG	-	-	3	4	PLANNED OBSOLESCENCE	SEE 334725013	N/A	N/A	N/A	N/A
MX150 ASSY RCP 2X4 BK A/2	334721014	A-BLACK	GCP	PLR		M	RG	-	-	3	4	PLANNED OBSOLESCENCE	SEE 334725014	N/A	N/A	N/A	N/A
MX150 ASSY RCP 2X4 CPA BK A/5	334721015	A-BLACK	GCP	PLR	CPA	M	RG	-	-	-	4	PLANNED OBSOLESCENCE	SEE 334725015	N/A	N/A	N/A	N/A
MX150 ASSY RCP 2X4 BK A/5	334721016	A-BLACK	GCP	PLR		M	RG	-	-	-	-	PLANNED OBSOLESCENCE	SEE 334725016	N/A	N/A	N/A	N/A
MX150 ASSY RCP 2X4 BK A/4	334721017	A-BLACK	GCP	PLR		M	RG	1	-	3	4	PLANNED OBSOLESCENCE	SEE 334725017	N/A	N/A	N/A	N/A
MX150 ASSY RCP 2X4 CPA BK A/4	334721018	A-BLACK	GCP	PLR	CPA	M	RG	-	-	-	-	PLANNED OBSOLESCENCE	SEE 334725018	N/A	N/A	N/A	N/A
MX150 ASSY RCP 2X4 CPA BK A/6	334721019	A-BLACK	GCP	PLR	CPA	M	RG	-	-	-	-	PLANNED OBSOLESCENCE	SEE 334725019	N/A	N/A	N/A	N/A
MX150 ASSY RCP 2X4 CPA BK A/2	334721020	A-BLACK	GCP	PLR	CPA	M	RG	-	2	3	4	PLANNED OBSOLESCENCE	SEE 334725020	N/A	N/A	N/A	N/A
MX150 ASSY RCP 2X4 CPA BK A/0	334721021	A-BLACK	GCP	PLR	CPA	M	RG	-	6	7	8	PLANNED OBSOLESCENCE	SEE 334725021	N/A	N/A	N/A	N/A
MX150 ASSY RCP 2X4 CPA BK A/6	334721022	A-BLACK	GCP	PLR	CPA	M	RG	1	-	-	-	PLANNED OBSOLESCENCE	SEE 334725022	N/A	N/A	N/A	N/A
MX150 ASSY RCP 2X4 BK A/4	334721023	A-BLACK	GCP	PLR		M	RG	-	-	-	-	PLANNED OBSOLESCENCE	SEE 334725023	N/A	N/A	N/A	N/A
MX150 ASSY RCP 2X4 BK A/6	334721024	A-BLACK	GCP	PLR		M	RG	5	6	7	8	PLANNED OBSOLESCENCE	SEE 334725024	N/A	N/A	N/A	N/A
MX150 ASSY RCP 2X4 SG D/5	334721025	D-STONE GRAY	GCP	PLR		M	RG	-	-	-	4	PLANNED OBSOLESCENCE	SEE 334725025	N/A	N/A	N/A	N/A
MX150 ASSY RCP 2X4 SG D/7	334721026	D-STONE GRAY	GCP	PLR		M	RG	-	-	-	4	PLANNED OBSOLESCENCE	SEE 334725026	N/A	N/A	N/A	N/A
MX150 ASSY RCP 2X4 LG B/6	334721027	B-LIGHT GRAY	GCP	PLR		M	RG	-	-	-	-	PLANNED OBSOLESCENCE	SEE 334725027	N/A	N/A	N/A	N/A
MX150 ASSY RCP 2X4 BK A/2	334721028	A-BLACK	GCP	PLR		M	RG	1	2	3	4	PLANNED OBSOLESCENCE	SEE 334725028	N/A	N/A	N/A	N/A
MX150 ASSY RCP 2X4 BK A/5	334721029	A-BLACK	GCP	PLR		M	RG	-	-	3	4	PLANNED OBSOLESCENCE	SEE 334725029	N/A	N/A	N/A	N/A
MX150 ASSY RCP 2X4 BK A/2	334721030	A-BLACK	GCP	PLR		M	RG	-	-	-	8	PLANNED OBSOLESCENCE	SEE 334725030	N/A	N/A	N/A	N/A
MX150 ASSY RCP 2X4 BK A/7	334721031	A-BLACK	GCP	PLR		M	RG	1	2	3	4	PLANNED OBSOLESCENCE	SEE 334725031	N/A	N/A	N/A	N/A
MX150 ASSY RCP 2X4 BK A/6	334721032	A-BLACK	GCP	PLR		M	RG	-	-	-	-	PLANNED OBSOLESCENCE	SEE 334725032	N/A	N/A	N/A	N/A
MX150 ASSY RCP 2X4 LG B/5	334721033	B-LIGHT GRAY	GCP	PLR		M	RG	5	-	7	-	PLANNED OBSOLESCENCE	SEE 334725033	N/A	N/A	N/A	N/A

ASSEMBLY DESCRIPTION	ASSEMBLY PART NUMBER	COMPONENT						BLOCKED TERMINALS				STATUS	COMMENT	OPTIONAL ATTACHMENTS SOLD SEPARATELY			
		THE PRESENCE OF AN ABBREVIATION INDICATES THE PRESENCE OF THAT COMPONENT						CAVITY WITH A NUMBER INDICATES BLOCKED TERMINAL POSITION CAVITY WITHOUT A NUMBER INDICATES OPEN TERMINAL POSITION						BACKSHELL WITH RIBS	BACKSHELL WITHOUT RIBS	90° ADAPTOR WITH RIBS	90° ADAPTOR WITHOUT RIBS
		HOUSING KEY/COLOR	GROMMET CAP	PLR	CPA	MAT SEAL	RING SEAL										
MX150 ASSY RCP 2X4 LG B/6	334721034	B-LIGHT GRAY	GCP	PLR		M	RG	-	-	3	-	PLANNED OBSOLESCENCE	SEE 334725034	N/A	N/A	N/A	N/A
MX150 ASSY RCP 2X4 LG B/7	334721035	B-LIGHT GRAY	GCP	PLR		M	RG	1	-	-	-	PLANNED OBSOLESCENCE	SEE 334725035	N/A	N/A	N/A	N/A
MX150 ASSY RCP 2X4 BK A/6	334721036	A-BLACK	GCP	PLR		M	RG	1	-	-	-	PLANNED OBSOLESCENCE	SEE 334725036	N/A	N/A	N/A	N/A
MX150 ASSY RCP 2X4 BK A/6	334721037	A-BLACK	GCP	PLR		M	RG	-	-	-	-	PLANNED OBSOLESCENCE	SEE 334725037	N/A	N/A	N/A	N/A
MX150 ASSY RCP 2X4 BK A/2	334721038	A-BLACK	GCP	PLR		M	RG	1	-	-	4	PLANNED OBSOLESCENCE	SEE 334725038	N/A	N/A	N/A	N/A
MX150 ASSY RCP 2X4 BK A/6	334721039	A-BLACK	GCP	PLR		M	RG	-	2	-	-	PLANNED OBSOLESCENCE	SEE 334725039	N/A	N/A	N/A	N/A
MX150 ASSY RCP 2X4 LG B/6	334721040	B-LIGHT GRAY	GCP	PLR		M	RG	-	-	-	-	PLANNED OBSOLESCENCE	SEE 334725040	N/A	N/A	N/A	N/A
MX150 ASSY RCP 2X4 BK A/3	334721041	A-BLACK	GCP	PLR		M	RG	-	-	-	4	PLANNED OBSOLESCENCE	SEE 334725041	N/A	N/A	N/A	N/A
MX150 ASSY RCP 2X4 BK A/6	334721042	A-BLACK	GCP	PLR		M	RG	-	-	-	-	PLANNED OBSOLESCENCE	SEE 334725042	N/A	N/A	N/A	N/A
MX150 ASSY RCP 2X4 BK A/4	334721043	A-BLACK	GCP	PLR		M	RG	-	2	-	4	PLANNED OBSOLESCENCE	SEE 334725043	N/A	N/A	N/A	N/A
MX150 ASSY RCP 2X4 BK A/2	334721044	A-BLACK	GCP	PLR		M	RG	1	2	3	4	PLANNED OBSOLESCENCE	SEE 334725044	N/A	N/A	N/A	N/A
MX150 ASSY RCP 2X4 BK A/6	334721045	A-BLACK	GCP	PLR		M	RG	-	-	-	4	PLANNED OBSOLESCENCE	SEE 334725045	N/A	N/A	N/A	N/A
MX150 ASSY RCP 2X4 CPA BK A/6	334721046	A-BLACK	GCP	PLR	CPA	M	RG	1	-	-	-	PLANNED OBSOLESCENCE	SEE 334725046	N/A	N/A	N/A	N/A
MX150 ASSY RCP 2X4 LG B/7	334721047	B-LIGHT GRAY	GCP	PLR		M	RG	-	-	-	-	PLANNED OBSOLESCENCE	SEE 334725047	N/A	N/A	N/A	N/A
MX150 ASSY RCP 2X4 BK A/3	334721048	A-BLACK	GCP	PLR		M	RG	1	2	-	-	PLANNED OBSOLESCENCE	SEE 334725048	N/A	N/A	N/A	N/A
MX150 ASSY RCP 2X4 BK A/5	334721049	A-BLACK	GCP	PLR		M	RG	5	6	-	8	PLANNED OBSOLESCENCE	SEE 334725049	N/A	N/A	N/A	N/A
MX150 ASSY RCP 2X4 BK A/5	334721050	A-BLACK	GCP	PLR		M	RG	1	2	-	-	PLANNED OBSOLESCENCE	SEE 334725050	N/A	N/A	N/A	N/A
MX150 ASSY RCP 2X4 BK A/4	334721051	A-BLACK	GCP	PLR		M	RG	-	-	-	4	PLANNED OBSOLESCENCE	SEE 334725051	N/A	N/A	N/A	N/A
MX150 ASSY RCP 2X4 BK A/4	334721052	A-BLACK	GCP	PLR		M	RG	-	-	-	4	PLANNED OBSOLESCENCE	SEE 334725052	N/A	N/A	N/A	N/A
MX150 ASSY RCP 2X4 BK A/4	334721053	A-BLACK	GCP	PLR		M	RG	5	-	7	8	PLANNED OBSOLESCENCE	SEE 334725053	N/A	N/A	N/A	N/A
MX150 ASSY RCP 2X4 BK A/3	334721054	A-BLACK	GCP	PLR		M	RG	-	-	3	4	PLANNED OBSOLESCENCE	SEE 334725054	N/A	N/A	N/A	N/A
MX150 ASSY RCP 2X4 BK A/6	334721055	A-BLACK	GCP	PLR		M	RG	1	-	3	4	PLANNED OBSOLESCENCE	SEE 334725055	N/A	N/A	N/A	N/A
MX150 ASSY RCP 2X4 BK A/5	334721056	A-BLACK	GCP	PLR		M	RG	-	-	-	4	PLANNED OBSOLESCENCE	SEE 334725056	N/A	N/A	N/A	N/A
MX150 ASSY RCP 2X4 SG D/0	334721057	D-STONE GRAY	GCP	PLR		M	RG	5	6	7	8	PLANNED OBSOLESCENCE	SEE 334725057	N/A	N/A	N/A	N/A
MX150 ASSY RCP 2X4 CPA BK A/5	334721058	A-BLACK	GCP	PLR	CPA	M	RG	-	2	-	-	PLANNED OBSOLESCENCE	SEE 334725058	N/A	N/A	N/A	N/A
MX150 ASSY RCP 2X4 LG B/6	334721059	B-LIGHT GRAY	GCP	PLR		M	RG	1	2	-	-	PLANNED OBSOLESCENCE	SEE 334725059	N/A	N/A	N/A	N/A
MX150 ASSY RCP 2X4 LG B/7	334721060	B-LIGHT GRAY	GCP	PLR		M	RG	-	-	7	-	PLANNED OBSOLESCENCE	SEE 334725060	N/A	N/A	N/A	N/A



ASSEMBLY DESCRIPTION	ASSEMBLY PART NUMBER	COMPONENT						BLOCKED TERMINALS				STATUS	COMMENT	OPTIONAL ATTACHMENTS SOLD SEPARATELY			
		THE PRESENCE OF AN ABBREVIATION INDICATES THE PRESENCE OF THAT COMPONENT						CAVITY WITH A NUMBER INDICATES BLOCKED TERMINAL POSITION CAVITY WITHOUT A NUMBER INDICATES OPEN TERMINAL POSITION						BACKSHELL WITH RIBS	BACKSHELL WITHOUT RIBS	90° ADAPTOR WITH RIBS	90° ADAPTOR WITHOUT RIBS
		HOUSING KEY/COLOR	GROMMET CAP	PLR	CPA	MAT SEAL	RING SEAL										
MX150 ASSY RCP 2X4 BK A/2	334721061	A-BLACK	GCP	PLR		M	RG	-	2	3	4	PLANNED OBSOLESCENCE	SEE 334725061	N/A	N/A	N/A	N/A
								-	6	7	8						
MX150 ASSY RCP 2X4 BK A/4	334721062	A-BLACK	GCP	PLR		M	RG	-	2	3	-	PLANNED OBSOLESCENCE	SEE 334725062	N/A	N/A	N/A	N/A
								-	6	7	-						
MX150 ASSY RCP 2X4 BK A/8	334724801	A-BLACK	GCO	PLR		M	RR	-	-	-	-	SALEABLE		N/A	N/A	N/A	N/A
								-	-	-	-						
MX150 ASSY RCP 2X4 LG B/8	334724802	B-LIGHT GRAY	GCO	PLR		M	RR	-	-	-	-	SALEABLE		N/A	N/A	N/A	N/A
								-	-	-	-						
MX150 ASSY RCP 2X4 BR C/8	334724803	C-BROWN	GCO	PLR		M	RR	-	-	-	-	NOT RECOMMENDED	SEE 334724879	N/A	N/A	N/A	N/A
								-	-	-	-						
MX150 ASSY RCP 2X4 GR D/8	334724804	D-GREEN	GCO	PLR		M	RR	-	-	-	-	NOT RECOMMENDED	SEE 334724880	N/A	N/A	N/A	N/A
								-	-	-	-						
MX150 ASSY RCP 2X4 BK D/8	334724805	D-BLACK	GCO	PLR		M	RR	-	-	-	-	SALEABLE		N/A	N/A	N/A	N/A
								-	-	-	-						
MX150 ASSY RCP 2X4 CPA BK A/8	334724806	A-BLACK	GCO	PLR	CPA	M	RR	-	-	-	-	SALEABLE		N/A	N/A	N/A	N/A
								-	-	-	-						
MX150 ASSY RCP 2X4 CPA LG B/8	334724807	B-LIGHT GRAY	GCO	PLR	CPA	M	RR	-	-	-	-	SALEABLE		N/A	N/A	N/A	N/A
								-	-	-	-						
MX150 ASSY RCP 2X4 CPA BR C/8	334724808	C-BROWN	GCO	PLR	CPA	M	RR	-	-	-	-	NOT RECOMMENDED	SEE 334724881	N/A	N/A	N/A	N/A
								-	-	-	-						
MX150 ASSY RCP 2X4 CPA GR D/8	334724809	D-GREEN	GCO	PLR	CPA	M	RR	-	-	-	-	NOT RECOMMENDED	SEE 334724882	N/A	N/A	N/A	N/A
								-	-	-	-						
MX150 ASSY RCP 2X4 BK A/7	334724811	A-BLACK	GCP	PLR		M	RR	-	-	-	4	SALEABLE		N/A	N/A	N/A	N/A
								-	-	-	-						
MX150 ASSY RCP 2X4 LG B/7	334724812	B-LIGHT GRAY	GCP	PLR		M	RR	-	-	-	4	SALEABLE		N/A	N/A	N/A	N/A
								-	-	-	-						
MX150 ASSY RCP 2X4 BR C/7	334724813	C-BROWN	GCP	PLR		M	RR	-	-	-	4	NOT RECOMMENDED		N/A	N/A	N/A	N/A
								-	-	-	-						
MX150 ASSY RCP 2X4 GR D/7	334724814	D-GREEN	GCP	PLR		M	RR	-	-	-	4	NOT RECOMMENDED	SEE 334725026	N/A	N/A	N/A	N/A
								-	-	-	-						
MX150 ASSY RCP 2X4 CPA BK A/7	334724816	A-BLACK	GCP	PLR	CPA	M	RR	-	-	-	4	SALEABLE		N/A	N/A	N/A	N/A
								-	-	-	-						
MX150 ASSY RCP 2X4 CPA LG B/7	334724817	B-LIGHT GRAY	GCP	PLR	CPA	M	RR	-	-	-	4	SALEABLE		N/A	N/A	N/A	N/A
								-	-	-	-						
MX150 ASSY RCP 2X4 CPA BR C/7	334724818	C-BROWN	GCP	PLR	CPA	M	RR	-	-	-	4	NOT RECOMMENDED		N/A	N/A	N/A	N/A
								-	-	-	-						
MX150 ASSY RCP 2X4 CPA GR D/7	334724819	D-GREEN	GCP	PLR	CPA	M	RR	-	-	-	4	NOT RECOMMENDED	SEE 334725009	N/A	N/A	N/A	N/A
								-	-	-	-						
MX150 ASSY RCP 2X4 BK A/6	334724821	A-BLACK	GCP	PLR		M	RR	-	-	-	4	SALEABLE		N/A	N/A	N/A	N/A
								5	-	-	-						
MX150 ASSY RCP 2X4 LG B/6	334724822	B-LIGHT GRAY	GCP	PLR		M	RR	-	-	-	4	SALEABLE		N/A	N/A	N/A	N/A
								5	-	-	-						
MX150 ASSY RCP 2X4 BR C/6	334724823	C-BROWN	GCP	PLR		M	RR	-	-	-	4	NOT RECOMMENDED		N/A	N/A	N/A	N/A
								5	-	-	-						
MX150 ASSY RCP 2X4 GR D/6	334724824	D-GREEN	GCP	PLR		M	RR	-	-	-	4	NOT RECOMMENDED		N/A	N/A	N/A	N/A
								5	-	-	-						
MX150 ASSY RCP 2X4 CPA BK A/6	334724826	A-BLACK	GCP	PLR	CPA	M	RR	-	-	-	4	SALEABLE		N/A	N/A	N/A	N/A
								5	-	-	-						
MX150 ASSY RCP 2X4 CPA LG B/6	334724827	B-LIGHT GRAY	GCP	PLR	CPA	M	RR	-	-	-	4	SALEABLE		N/A	N/A	N/A	N/A
								5	-	-	-						
MX150 ASSY RCP 2X4 CPA BR C/6	334724828	C-BROWN	GCP	PLR	CPA	M	RR	-	-	-	4	NOT RECOMMENDED		N/A	N/A	N/A	N/A
								5	-	-	-						
MX150 ASSY RCP 2X4 CPA GR D/6	334724829	D-GREEN	GCP	PLR	CPA	M	RR	-	-	-	4	NOT RECOMMENDED	SEE 334725010	N/A	N/A	N/A	N/A
								5	-	-	-						

ASSEMBLY DESCRIPTION	ASSEMBLY PART NUMBER	COMPONENT						BLOCKED TERMINALS				STATUS	COMMENT	OPTIONAL ATTACHMENTS SOLD SEPARATELY			
		THE PRESENCE OF AN ABBREVIATION INDICATES THE PRESENCE OF THAT COMPONENT						CAVITY WITH A NUMBER INDICATES BLOCKED TERMINAL POSITION CAVITY WITHOUT A NUMBER INDICATES OPEN TERMINAL POSITION						BACKSHELL WITH RIBS	BACKSHELL WITHOUT RIBS	90° ADAPTOR WITH RIBS	90° ADAPTOR WITHOUT RIBS
		HOUSING KEY/COLOR	GROMMET CAP	PLR	CPA	MAT SEAL	RING SEAL										
MX150 ASSY RCP 2X4 BK A/5	334724831	A-BLACK	GCP	PLR		M	RR	1	-	-	4	SALEABLE		N/A	N/A	N/A	N/A
								5	-	-	-						
MX150 ASSY RCP 2X4 LG B/5	334724832	B-LIGHT GRAY	GCP	PLR		M	RR	1	-	-	4	SALEABLE		N/A	N/A	N/A	N/A
								5	-	-	-						
MX150 ASSY RCP 2X4 BR C/5	334724833	C-BROWN	GCP	PLR		M	RR	1	-	-	4	NOT RECOMMENDED		N/A	N/A	N/A	N/A
								5	-	-	-						
MX150 ASSY RCP 2X4 GR D/5	334724834	D-GREEN	GCP	PLR		M	RR	1	-	-	4	NOT RECOMMENDED		N/A	N/A	N/A	N/A
								5	-	-	-						
MX150 ASSY RCP 2X4 CPA BK A/5	334724836	A-BLACK	GCP	PLR	CPA	M	RR	1	-	-	4	SALEABLE		N/A	N/A	N/A	N/A
								5	-	-	-						
MX150 ASSY RCP 2X4 CPA LG B/5	334724837	B-LIGHT GRAY	GCP	PLR	CPA	M	RR	1	-	-	4	SALEABLE		N/A	N/A	N/A	N/A
								5	-	-	-						
MX150 ASSY RCP 2X4 CPA BR C/5	334724838	C-BROWN	GCP	PLR	CPA	M	RR	1	-	-	4	NOT RECOMMENDED		N/A	N/A	N/A	N/A
								5	-	-	-						
MX150 ASSY RCP 2X4 CPA GR D/5	334724839	D-GREEN	GCP	PLR	CPA	M	RR	1	-	-	4	NOT RECOMMENDED		N/A	N/A	N/A	N/A
								5	-	-	-						
MX150 ASSY RCP 2X4 BK A/4	334724841	A-BLACK	GCP	PLR		M	RR	1	-	-	4	SALEABLE		N/A	N/A	N/A	N/A
								5	-	-	8						
MX150 ASSY RCP 2X4 LG B/4	334724842	B-LIGHT GRAY	GCP	PLR		M	RR	1	-	-	4	SALEABLE		N/A	N/A	N/A	N/A
								5	-	-	8						
MX150 ASSY RCP 2X4 BR C/4	334724843	C-BROWN	GCP	PLR		M	RR	1	-	-	4	NOT RECOMMENDED		N/A	N/A	N/A	N/A
								5	-	-	8						
MX150 ASSY RCP 2X4 GR D/4	334724844	D-GREEN	GCP	PLR		M	RR	1	-	-	4	NOT RECOMMENDED		N/A	N/A	N/A	N/A
								5	-	-	8						
MX150 ASSY RCP 2X4 CPA BK A/4	334724846	A-BLACK	GCP	PLR	CPA	M	RR	1	-	-	4	SALEABLE		N/A	N/A	N/A	N/A
								5	-	-	8						
MX150 ASSY RCP 2X4 CPA LG B/4	334724847	B-LIGHT GRAY	GCP	PLR	CPA	M	RR	1	-	-	4	SALEABLE		N/A	N/A	N/A	N/A
								5	-	-	8						
MX150 ASSY RCP 2X4 CPA BR C/4	334724848	C-BROWN	GCP	PLR	CPA	M	RR	1	-	-	4	NOT RECOMMENDED		N/A	N/A	N/A	N/A
								5	-	-	8						
MX150 ASSY RCP 2X4 CPA GR D/4	334724849	D-GREEN	GCP	PLR	CPA	M	RR	1	-	-	4	NOT RECOMMENDED		N/A	N/A	N/A	N/A
								5	-	-	8						
MX150 ASSY RCP 2X4 BK A/0	334724851	A-BLACK	GCP	PLR		M	RR	1	2	3	4	SALEABLE		N/A	N/A	N/A	N/A
								5	6	7	8						
MX150 ASSY RCP 2X4 LG B/0	334724852	B-LIGHT GRAY	GCP	PLR		M	RR	1	2	3	4	SALEABLE		N/A	N/A	N/A	N/A
								5	6	7	8						
MX150 ASSY RCP 2X4 BR C/0	334724853	C-BROWN	GCP	PLR		M	RR	1	2	3	4	NOT RECOMMENDED		N/A	N/A	N/A	N/A
								5	6	7	8						
MX150 ASSY RCP 2X4 GR D/0	334724854	D-GREEN	GCP	PLR		M	RR	1	2	3	4	NOT RECOMMENDED	SEE 334725057	N/A	N/A	N/A	N/A
								5	6	7	8						
MX150 ASSY RCP 2X4 BK D/0	334724855	D-BLACK	GCP	PLR		M	RR	1	2	3	4	SALEABLE		N/A	N/A	N/A	N/A
								5	6	7	8						
MX150 ASSY RCP 2X4 CPA BK A/5	334724856	A-BLACK	GCP	PLR	CPA	M	RR	-	2	-	-	SALEABLE		N/A	N/A	N/A	N/A
								-	6	7	-						
MX150 ASSY RCP 2X4 CPA BK A/3	334724857	A-BLACK	GCP	PLR	CPA	M	RR	1	2	-	-	SALEABLE		N/A	N/A	N/A	N/A
								5	6	7	-						
MX150 ASSY RCP 2X4 CPA BK A/2	334724858	A-BLACK	GCP	PLR	CPA	M	RR	1	2	3	-	SALEABLE		N/A	N/A	N/A	N/A
								5	6	7	-						
MX150 ASSY RCP 2X4 BK A/2	334724859	A-BLACK	GCP	PLR		M	RR	1	2	3	-	SALEABLE		N/A	N/A	N/A	N/A
								-	6	7	8						
MX150 ASSY RCP 2X4 BK D/7	334724860	D-BLACK	GCP	PLR		M	RR	-	-	-	4	SALEABLE		N/A	N/A	N/A	N/A
								-	-	-	-						
MX150 ASSY RCP 2X4 BK A/7	334724861	A-BLACK	GCP	PLR		M	RR	-	-	-	-	SALEABLE		N/A	N/A	N/A	N/A
								-	-	-	8						

ASSEMBLY DESCRIPTION	ASSEMBLY PART NUMBER	COMPONENT						BLOCKED TERMINALS				STATUS	COMMENT	OPTIONAL ATTACHMENTS SOLD SEPARATELY			
		THE PRESENCE OF AN ABBREVIATION INDICATES THE PRESENCE OF THAT COMPONENT						CAVITY WITH A NUMBER INDICATES BLOCKED TERMINAL POSITION CAVITY WITHOUT A NUMBER INDICATES OPEN TERMINAL POSITION						BACKSHELL WITH RIBS	BACKSHELL WITHOUT RIBS	90° ADAPTOR WITH RIBS	90° ADAPTOR WITHOUT RIBS
		HOUSING KEY/COLOR	GROMMET CAP	PLR	CPA	MAT SEAL	RING SEAL										
MX150 ASSY RCP 2X4 BK A/7	334724862	A-BLACK	GCP	PLR		M	RR	1	-	-	-	SALEABLE		N/A	N/A	N/A	N/A
MX150 ASSY RCP 2X4 BK A/4	334724863	A-BLACK	GCP	PLR		M	RR	-	2	3	-	SALEABLE		N/A	N/A	N/A	N/A
MX150 ASSY RCP 2X4 BK A/5	334724864	A-BLACK	GCP	PLR		M	RR	1	-	3	-	SALEABLE		N/A	N/A	N/A	N/A
MX150 ASSY RCP 2X4 BK A/6	334724865	A-BLACK	GCP	PLR		M	RR	1	-	-	-	SALEABLE		N/A	N/A	N/A	N/A
MX150 ASSY RCP 2X4 BK A/3	334724866	A-BLACK	GCP	PLR		M	RR	-	2	3	-	SALEABLE		N/A	N/A	N/A	N/A
MX150 ASSY RCP 2X4 BK A/4	334724867	A-BLACK	GCP	PLR		M	RR	1	-	3	-	SALEABLE		N/A	N/A	N/A	N/A
MX150 ASSY RCP 2X4 BK A/5	334724868	A-BLACK	GCP	PLR		M	RR	-	-	-	-	SALEABLE		N/A	N/A	N/A	N/A
MX150 ASSY RCP 2X4 BK A/7	334724869	A-BLACK	GCP	PLR		M	RR	-	-	-	-	SALEABLE		N/A	N/A	N/A	N/A
MX150 ASSY RCP 2X4 BK A/2	334724870	A-BLACK	GCP	PLR		M	RR	1	-	3	-	SALEABLE		N/A	N/A	N/A	N/A
MX150 ASSY RCP 2X4 BK A/2	334724871	A-BLACK	GCP	PLR		M	RR	-	2	3	4	SALEABLE		N/A	N/A	N/A	N/A
MX150 ASSY RCP 2X4 BK A/6	334724872	A-BLACK	GCP	PLR		M	RR	-	-	-	-	SALEABLE		N/A	N/A	N/A	N/A
MX150 ASSY RCP 2X4 BK A/3	334724873	A-BLACK	GCP	PLR		M	RR	-	2	3	-	SALEABLE		N/A	N/A	N/A	N/A
MX150 ASSY RCP 2X4 BK A/6	334724874	A-BLACK	GCP	PLR		M	RR	-	2	3	-	SALEABLE		N/A	N/A	N/A	N/A
MX150 ASSY RCP 2X4 BK A/6	334724875	A-BLACK	GCP	PLR		M	RR	1	-	-	4	SALEABLE		N/A	N/A	N/A	N/A
MX150 ASSY RCP 2X4 BK A/2	334724876	A-BLACK	GCP	PLR		M	RR	-	2	3	-	SALEABLE		N/A	N/A	N/A	N/A
MX150 ASSY RCP 2X4 CPA BK A/7	334724877	A-BLACK	GCP	PLR	CPA	M	RR	-	-	-	-	SALEABLE		N/A	N/A	N/A	N/A
MX150 ASSY RCP 2X4 BK A/5	334724878	A-BLACK	GCP	PLR		M	RR	-	-	3	-	SALEABLE		N/A	N/A	N/A	N/A
MX150 ASSY RCP 2X4 DG C/8	334724879	C-DARK GRAY	GCO	PLR		M	RR	-	-	-	-	SALEABLE		N/A	N/A	N/A	N/A
MX150 ASSY RCP 2X4 SG D/8	334724880	D-STONE GRAY	GCO	PLR		M	RR	-	-	-	-	SALEABLE		N/A	N/A	N/A	N/A
MX150 ASSY RCP 2X4 CPA DG C/8	334724881	C-DARK GRAY	GCO	PLR	CPA	M	RR	-	-	-	-	SALEABLE		N/A	N/A	N/A	N/A
MX150 ASSY RCP 2X4 CPA SG D/8	334724882	D-STONE GRAY	GCO	PLR	CPA	M	RR	-	-	-	-	SALEABLE		N/A	N/A	N/A	N/A
MX150 ASSY RCP 2X4 BK A/2	334724883	A-BLACK	GCP	PLR		M	RR	-	2	3	4	SALEABLE		N/A	N/A	N/A	N/A
MX150 ASSY RCP 2X4 BK A/5	334724884	A-BLACK	GCP	PLR		M	RR	-	-	3	-	SALEABLE		N/A	N/A	N/A	N/A
MX150 ASSY RCP 2X4 BK A/2	334724885	A-BLACK	GCP	PLR		M	RR	-	2	3	4	SALEABLE		N/A	N/A	N/A	N/A
MX150 ASSY RCP 2X4 BK A/5	334724886	A-BLACK	GCP	PLR		M	RR	-	-	3	-	SALEABLE		N/A	N/A	N/A	N/A
MX150 ASSY RCP 2X4 CPA LG B/7	334724887	B-LIGHT GRAY	GCP	PLR	CPA	M	RR	-	-	-	-	SALEABLE		N/A	N/A	N/A	N/A
MX150 ASSY RCP 2X4 LG B/6	334724888	B-LIGHT GRAY	GCP	PLR		M	RR	1	-	-	-	SALEABLE		N/A	N/A	N/A	N/A

ASSEMBLY DESCRIPTION	ASSEMBLY PART NUMBER	COMPONENT						BLOCKED TERMINALS				STATUS	COMMENT	OPTIONAL ATTACHMENTS SOLD SEPARATELY			
		THE PRESENCE OF AN ABBREVIATION INDICATES THE PRESENCE OF THAT COMPONENT						CAVITY WITH A NUMBER INDICATES BLOCKED TERMINAL POSITION CAVITY WITHOUT A NUMBER INDICATES OPEN TERMINAL POSITION						BACKSHELL WITH RIBS	BACKSHELL WITHOUT RIBS	90° ADAPTOR WITH RIBS	90° ADAPTOR WITHOUT RIBS
		HOUSING KEY/COLOR	GROMMET CAP	PLR	CPA	MAT SEAL	RING SEAL										
MX150 ASSY RCP 2X4 BK A/6	334724889	A-BLACK	GCP	PLR		M	RR	1	-	-	-	SALEABLE		N/A	N/A	N/A	N/A
								5	-	-	-						
MX150 ASSY RCP 2X4 CPA YW A/6	334724890	A-YELLOW	GCP	PLR	CPA	M	RR	-	2	3	-	SALEABLE		N/A	N/A	N/A	N/A
								-	-	-	-						
MX150 ASSY RCP 2X4 CPA YW A/8	334724891	A-YELLOW	GCO	PLR	CPA	M	RR	-	-	-	-	SALEABLE		N/A	N/A	N/A	N/A
								-	-	-	-						
MX150 ASSY RCP 2X4 YW A/8	334724892	A-YELLOW	GCO	PLR		M	RR	-	-	-	-	SALEABLE		N/A	N/A	N/A	N/A
								-	-	-	-						
MX150 ASSY RCP 2X4 CPA BK A/7	334724893	A-BLACK	GCP	PLR	CPA	M	RR	-	-	-	-	SALEABLE		N/A	N/A	N/A	N/A
								-	6	-	-						
MX150 ASSY RCP 2X4 CPA BK A/2	334724894	A-BLACK	GCP	PLR	CPA	M	RR	1	2	3	-	SALEABLE		N/A	N/A	N/A	N/A
								-	6	7	8						
MX150 ASSY RCP 2X4 BK A/6	334724895	A-BLACK	GCP	PLR		M	RR	1	2	-	-	SALEABLE		N/A	N/A	N/A	N/A
								-	-	-	-						
MX150 ASSY RCP 2X4 CS BK A/8	334724901	A-BLACK-CLIP	GCO	PLR		M	RR	-	-	-	-	SALEABLE		34951-0811	34951-0821	34951-0831	34951-0841
								-	-	-	-						
MX150 ASSY RCP 2X4 CS LG B/8	334724902	B-LIGHT GRAY-CLIP	GCO	PLR		M	RR	-	-	-	-	SALEABLE		34951-0811	34951-0821	34951-0831	34951-0841
								-	-	-	-						
MX150 ASSY RCP 2X4 CS BR C/8	334724903	C-BROWN-CLIP	GCO	PLR		M	RR	-	-	-	-	NOT RECOMMENDED	SEE 334724922	34951-0811	34951-0821	34951-0831	34951-0841
								-	-	-	-						
MX150 ASSY RCP 2X4 CS GR D/8	334724904	D-GREEN-CLIP	GCO	PLR		M	RR	-	-	-	-	NOT RECOMMENDED	SEE 334724923	34951-0811	34951-0821	34951-0831	34951-0841
								-	-	-	-						
MX150 ASSY RCP 2X4 CS BK D/8	334724905	D-BLACK-CLIP	GCO	PLR		M	RR	-	-	-	-	SALEABLE		34951-0811	34951-0821	34951-0831	34951-0841
								-	-	-	-						
MX150 ASSY RCP 2X4 CS CPA BK A/8	334724906	A-BLACK-CLIP	GCO	PLR	CPA	M	RR	-	-	-	-	SALEABLE		34951-0811	34951-0821	34951-0831	34951-0841
								-	-	-	-						
MX150 ASSY RCP 2X4 CS CPA LG B/8	334724907	B-LIGHT GRAY-CLIP	GCO	PLR	CPA	M	RR	-	-	-	-	SALEABLE		34951-0811	34951-0821	34951-0831	34951-0841
								-	-	-	-						
MX150 ASSY RCP 2X4 CS CPA BR C/8	334724908	C-BROWN-CLIP	GCO	PLR	CPA	M	RR	-	-	-	-	NOT RECOMMENDED	SEE 334724924	34951-0811	34951-0821	34951-0831	34951-0841
								-	-	-	-						
MX150 ASSY RCP 2X4 CS CPA GR D/8	334724909	D-GREEN-CLIP	GCO	PLR	CPA	M	RR	-	-	-	-	NOT RECOMMENDED	SEE 334724925	34951-0811	34951-0821	34951-0831	34951-0841
								-	-	-	-						
MX150 ASSY RCP 2X4 CS BK A/7	334724910	A-BLACK-CLIP	GCP	PLR		M	RR	-	-	-	4	SALEABLE		34951-0811	34951-0821	34951-0831	34951-0841
								-	-	-	-						
MX150 ASSY RCP 2X4 CS BK A/6	334724920	A-BLACK-CLIP	GCP	PLR		M	RR	-	-	-	4	SALEABLE		34951-0811	34951-0821	34951-0831	34951-0841
								-	-	-	8						
MX150 ASSY RCP 2X4 CS BK A/7	334724921	A-BLACK-CLIP	GCP	PLR		M	RR	-	-	-	-	SALEABLE		34951-0811	34951-0821	34951-0831	34951-0841
								-	-	-	8						
MX150 ASSY RCP 2X4 CS DG C/8	334724922	C-DARK GRAY-CLIP	GCO	PLR		M	RR	-	-	-	-	SALEABLE		34951-0811	34951-0821	34951-0831	34951-0841
								-	-	-	-						
MX150 ASSY RCP 2X4 CS SG D/8	334724923	D-STONE GRAY-CLIP	GCO	PLR		M	RR	-	-	-	-	SALEABLE		34951-0811	34951-0821	34951-0831	34951-0841
								-	-	-	-						
MX150 ASSY RCP 2X4 CS CPA DG C/8	334724924	C-DARK GRAY-CLIP	GCO	PLR	CPA	M	RR	-	-	-	-	SALEABLE		34951-0811	34951-0821	34951-0831	34951-0841
								-	-	-	-						
MX150 ASSY RCP 2X4 CS CPA SG D/8	334724925	D-STONE GRAY-CLIP	GCO	PLR	CPA	M	RR	-	-	-	-	SALEABLE		34951-0811	34951-0821	34951-0831	34951-0841
								-	-	-	-						
MX150 ASSY RCP 2X4 CS LG B/6	334724926	B-LIGHT GRAY-CLIP	GCP	PLR		M	RR	-	-	-	4	SALEABLE		34951-0811	34951-0821	34951-0831	34951-0841
								-	-	-	8						
MX150 ASSY RCP 2X4 CS CPA BK A/6	334724927	A-BLACK-CLIP	GCP	PLR	CPA	M	RR	-	-	-	4	SALEABLE		34951-0811	34951-0821	34951-0831	34951-0841
								-	-	-	8						
MX150 ASSY RCP 2X4 CS CPA LG B/6	334724928	B-LIGHT GRAY-CLIP	GCP	PLR	CPA	M	RR	-	-	-	4	SALEABLE		34951-0811	34951-0821	34951-0831	34951-0841
								-	-	-	8						
MX150 ASSY RCP 2X4 CS BK A/4	334724929	A-BLACK-CLIP	GCP	PLR		M	RR	-	-	-	4	SALEABLE		34951-0811	34951-0821	34951-0831	34951-0841
								5	-	7	8						

ASSEMBLY DESCRIPTION	ASSEMBLY PART NUMBER	COMPONENT						BLOCKED TERMINALS				STATUS	COMMENT	OPTIONAL ATTACHMENTS SOLD SEPARATELY			
		THE PRESENCE OF AN ABBREVIATION INDICATES THE PRESENCE OF THAT COMPONENT						CAVITY WITH A NUMBER INDICATES BLOCKED TERMINAL POSITION CAVITY WITHOUT A NUMBER INDICATES OPEN TERMINAL POSITION						BACKSHELL WITH RIBS	BACKSHELL WITHOUT RIBS	90° ADAPTOR WITH RIBS	90° ADAPTOR WITHOUT RIBS
		HOUSING KEY/COLOR	GROMMET CAP	PLR	CPA	MAT SEAL	RING SEAL										
MX150 ASSY RCP 2X4 CS BK A/2	334724930	A-BLACK-CLIP	GCP	PLR		M	RR	-	2	3	4	SALEABLE		34951-0811	34951-0821	34951-0831	34951-0841
								5	-	7	8						
MX150 ASSY RCP 2X4 CS BK A/4	334724931	A-BLACK-CLIP	GCP	PLR		M	RR	1	2	3	-	SALEABLE		34951-0811	34951-0821	34951-0831	34951-0841
								-	6	-	-						
MX150 ASSY RCP 2X4 CS BK A/6	334724932	A-BLACK-CLIP	GCP	PLR		M	RR	1	-	-	-	SALEABLE		34951-0811	34951-0821	34951-0831	34951-0841
								-	6	-	-						
MX150 ASSY RCP 2X4 CS CPA BK A/7	334724933	A-BLACK-CLIP	GCP	PLR	CPA	M	RR	-	-	-	-	SALEABLE		34951-0811	34951-0821	34951-0831	34951-0841
								-	-	-	8						
MX150 ASSY RCP 2X4 CS CPA LG B/7	334724934	B-LIGHT GRAY-CLIP	GCP	PLR	CPA	M	RR	-	-	-	-	SALEABLE		34951-0811	34951-0821	34951-0831	34951-0841
								-	-	-	8						
MX150 ASSY RCP 2X4 CS CPA BK A/2	334724935	A-BLACK-CLIP	GCP	PLR	CPA	M	RR	-	2	3	4	SALEABLE		34951-0811	34951-0821	34951-0831	34951-0841
								-	6	7	8						
MX150 ASSY RCP 2X4 CS BK A/5	334724936	A-BLACK-CLIP	GCP	PLR		M	RR	-	-	-	-	SALEABLE		34951-0811	34951-0821	34951-0831	34951-0841
								-	6	7	8						
MX150 ASSY RCP 2X4 CS BK A/6	334724937	A-BLACK-CLIP	GCP	PLR		M	RR	-	-	-	-	SALEABLE		34951-0811	34951-0821	34951-0831	34951-0841
								5	-	-	8						
MX150 ASSY RCP 2X4 CS BK A/7	334724938	A-BLACK-CLIP	GCP	PLR		M	RR	-	-	-	-	SALEABLE		34951-0811	34951-0821	34951-0831	34951-0841
								5	-	-	-						
MX150 ASSY RCP 2X4 CS BK A/3	334724939	A-BLACK-CLIP	GCP	PLR		M	RR	-	-	-	4	SALEABLE		34951-0811	34951-0821	34951-0831	34951-0841
								5	6	7	8						
MX150 ASSY RCP 2X4 CS BK A/4	334724940	A-BLACK-CLIP	GCP	PLR		M	RR	1	2	-	-	SALEABLE		34951-0811	34951-0821	34951-0831	34951-0841
								5	6	-	-						
MX150 ASSY RCP 2X4 CS BK A/2	334724941	A-BLACK-CLIP	GCP	PLR		M	RR	1	2	3	4	SALEABLE		34951-0811	34951-0821	34951-0831	34951-0841
								5	6	-	-						
MX150 ASSY RCP 2X4 CS BK A/5	334724942	A-BLACK-CLIP	GCP	PLR		M	RR	-	-	-	4	SALEABLE		34951-0811	34951-0821	34951-0831	34951-0841
								5	6	-	-						
MX150 ASSY RCP 2X4 CS BK A/4	334724943	A-BLACK-CLIP	GCP	PLR		M	RR	-	2	3	-	SALEABLE		34951-0811	34951-0821	34951-0831	34951-0841
								-	6	7	-						
MX150 ASSY RCP 2X4 CS BK A/5	334724944	A-BLACK-CLIP	GCP	PLR		M	RR	-	-	-	4	SALEABLE		34951-0811	34951-0821	34951-0831	34951-0841
								5	-	7	-						
MX150 ASSY RCP 2X4 CS BK A/7	334724945	A-BLACK-CLIP	GCP	PLR		M	RR	-	-	-	-	SALEABLE		34951-0811	34951-0821	34951-0831	34951-0841
								-	-	7	-						
MX150 ASSY RCP 2X4 CS BK A/6	334724946	A-BLACK-CLIP	GCP	PLR		M	RR	-	-	3	-	SALEABLE		34951-0811	34951-0821	34951-0831	34951-0841
								-	-	7	-						
MX150 ASSY RCP 2X4 CS BK A/1	334724947	A-BLACK-CLIP	GCP	PLR		M	RR	1	-	3	4	SALEABLE		34951-0811	34951-0821	34951-0831	34951-0841
								5	6	7	8						
MX150 ASSY RCP 2X4 BK A/4	334725001	A-BLACK	GCP	PLR		M	RR	1	2	3	4	SALEABLE		N/A	N/A	N/A	N/A
								-	-	-	-						
MX150 ASSY RCP 2X4 LG B/7	334725002	B-LIGHT GRAY	GCP	PLR		M	RR	-	-	-	-	SALEABLE		N/A	N/A	N/A	N/A
								-	6	-	-						
MX150 ASSY RCP 2X4 BK A/2	334725006	A-BLACK	GCP	PLR		M	RR	1	2	3	4	SALEABLE		N/A	N/A	N/A	N/A
								5	6	-	-						
MX150 ASSY RCP 2X4 CPA BK A/6	334725007	A-BLACK	GCP	PLR	CPA	M	RR	-	-	-	-	SALEABLE		N/A	N/A	N/A	N/A
								-	6	7	-						
MX150 ASSY RCP 2X4 CPA BK A/7	334725008	A-BLACK	GCP	PLR	CPA	M	RR	-	-	-	-	SALEABLE		N/A	N/A	N/A	N/A
								-	-	7	-						
MX150 ASSY RCP 2X4 CPA SG D/7	334725009	D-STONE GRAY	GCP	PLR	CPA	M	RR	-	-	-	4	SALEABLE		N/A	N/A	N/A	N/A
								-	-	-	-						
MX150 ASSY RCP 2X4 CPA SG D/6	334725010	D-STONE GRAY	GCP	PLR	CPA	M	RR	-	-	-	4	SALEABLE		N/A	N/A	N/A	N/A
								5	-	-	-						
MX150 ASSY RCP 2X4 CPA SG D/5	334725011	D-STONE GRAY	GCP	PLR	CPA	M	RR	-	-	-	4	SALEABLE		N/A	N/A	N/A	N/A
								5	6	-	-						
MX150 ASSY RCP 2X4 BK A/5	334725012	A-BLACK	GCP	PLR		M	RR	-	-	-	4	SALEABLE		N/A	N/A	N/A	N/A
								-	-	7	8						



ASSEMBLY DESCRIPTION	ASSEMBLY PART NUMBER	COMPONENT						BLOCKED TERMINALS				STATUS	COMMENT	OPTIONAL ATTACHMENTS SOLD SEPARATELY			
		THE PRESENCE OF AN ABBREVIATION INDICATES THE PRESENCE OF THAT COMPONENT						CAVITY WITH A NUMBER INDICATES BLOCKED TERMINAL POSITION CAVITY WITHOUT A NUMBER INDICATES OPEN TERMINAL POSITION						BACKSHELL WITH RIBS	BACKSHELL WITHOUT RIBS	90° ADAPTOR WITH RIBS	90° ADAPTOR WITHOUT RIBS
		HOUSING KEY/COLOR	GROMMET CAP	PLR	CPA	MAT SEAL	RING SEAL										
MX150 ASSY RCP 2X4 CPA BK A/2	334725013	A-BLACK	GCP	PLR	CPA	M	RR	-	-	3	4	SALEABLE		N/A	N/A	N/A	N/A
								5	6	7	8						
MX150 ASSY RCP 2X4 BK A/2	334725014	A-BLACK	GCP	PLR		M	RR	-	-	3	4	SALEABLE		N/A	N/A	N/A	N/A
								5	6	7	8						
MX150 ASSY RCP 2X4 CPA BK A/5	334725015	A-BLACK	GCP	PLR	CPA	M	RR	-	-	-	4	SALEABLE		N/A	N/A	N/A	N/A
								-	-	7	8						
MX150 ASSY RCP 2X4 BK A/5	334725016	A-BLACK	GCP	PLR		M	RR	-	-	-	-	SALEABLE		N/A	N/A	N/A	N/A
								-	6	7	8						
MX150 ASSY RCP 2X4 BK A/4	334725017	A-BLACK	GCP	PLR		M	RR	1	-	3	4	SALEABLE		N/A	N/A	N/A	N/A
								-	-	-	8						
MX150 ASSY RCP 2X4 CPA BK A/4	334725018	A-BLACK	GCP	PLR	CPA	M	RR	-	-	-	-	SALEABLE		N/A	N/A	N/A	N/A
								5	6	7	8						
MX150 ASSY RCP 2X4 CPA BK A/6	334725019	A-BLACK	GCP	PLR	CPA	M	RR	-	-	-	-	SALEABLE		N/A	N/A	N/A	N/A
								-	-	7	8						
MX150 ASSY RCP 2X4 CPA BK A/2	334725020	A-BLACK	GCP	PLR	CPA	M	RR	-	2	3	4	SALEABLE		N/A	N/A	N/A	N/A
								-	6	7	8						
MX150 ASSY RCP 2X4 CPA BK A/0	334725021	A-BLACK	GCP	PLR	CPA	M	RR	1	2	3	4	SALEABLE		N/A	N/A	N/A	N/A
								5	6	7	8						
MX150 ASSY RCP 2X4 CPA BK A/6	334725022	A-BLACK	GCP	PLR	CPA	M	RR	1	-	-	-	SALEABLE		N/A	N/A	N/A	N/A
								5	-	-	-						
MX150 ASSY RCP 2X4 BK A/4	334725023	A-BLACK	GCP	PLR		M	RR	-	-	-	-	SALEABLE		N/A	N/A	N/A	N/A
								5	6	7	8						
MX150 ASSY RCP 2X4 BK A/6	334725024	A-BLACK	GCP	PLR		M	RR	-	-	3	4	SALEABLE		N/A	N/A	N/A	N/A
								-	-	-	-						
MX150 ASSY RCP 2X4 SG D/5	334725025	D-STONE GRAY	GCP	PLR		M	RR	-	-	-	4	SALEABLE		N/A	N/A	N/A	N/A
								5	6	-	-						
MX150 ASSY RCP 2X4 SG D/7	334725026	D-STONE GRAY	GCP	PLR		M	RR	-	-	-	4	SALEABLE		N/A	N/A	N/A	N/A
								-	-	-	-						
MX150 ASSY RCP 2X4 LG B/6	334725027	B-LIGHT GRAY	GCP	PLR		M	RR	-	-	-	-	SALEABLE		N/A	N/A	N/A	N/A
								-	-	7	8						
MX150 ASSY RCP 2X4 BK A/2	334725028	A-BLACK	GCP	PLR		M	RR	1	2	3	4	SALEABLE		N/A	N/A	N/A	N/A
								-	-	7	8						
MX150 ASSY RCP 2X4 BK A/5	334725029	A-BLACK	GCP	PLR		M	RR	-	-	3	4	SALEABLE		N/A	N/A	N/A	N/A
								-	-	-	8						
MX150 ASSY RCP 2X4 BK A/2	334725030	A-BLACK	GCP	PLR		M	RR	1	2	3	4	SALEABLE		N/A	N/A	N/A	N/A
								5	-	7	-						
MX150 ASSY RCP 2X4 BK A/7	334725031	A-BLACK	GCP	PLR		M	RR	-	-	-	-	SALEABLE		N/A	N/A	N/A	N/A
								5	-	-	-						
MX150 ASSY RCP 2X4 BK A/6	334725032	A-BLACK	GCP	PLR		M	RR	-	2	-	-	SALEABLE		N/A	N/A	N/A	N/A
								5	-	-	-						
MX150 ASSY RCP 2X4 LG B/5	334725033	B-LIGHT GRAY	GCP	PLR		M	RR	1	-	3	-	SALEABLE		N/A	N/A	N/A	N/A
								-	-	-	8						
MX150 ASSY RCP 2X4 LG B/6	334725034	B-LIGHT GRAY	GCP	PLR		M	RR	-	-	3	-	SALEABLE		N/A	N/A	N/A	N/A
								-	-	-	8						
MX150 ASSY RCP 2X4 LG B/7	334725035	B-LIGHT GRAY	GCP	PLR		M	RR	1	-	-	-	SALEABLE		N/A	N/A	N/A	N/A
								-	-	-	-						
MX150 ASSY RCP 2X4 BK A/6	334725036	A-BLACK	GCP	PLR		M	RR	1	-	-	-	SALEABLE		N/A	N/A	N/A	N/A
								-	-	-	8						
MX150 ASSY RCP 2X4 BK A/6	334725037	A-BLACK	GCP	PLR		M	RR	-	-	-	-	SALEABLE		N/A	N/A	N/A	N/A
								-	6	-	8						
MX150 ASSY RCP 2X4 BK A/2	334725038	A-BLACK	GCP	PLR		M	RR	1	-	-	4	SALEABLE		N/A	N/A	N/A	N/A
								5	6	7	8						
MX150 ASSY RCP 2X4 BK A/6	334725039	A-BLACK	GCP	PLR		M	RR	-	2	-	-	SALEABLE		N/A	N/A	N/A	N/A
								-	-	7	-						

ASSEMBLY DESCRIPTION	ASSEMBLY PART NUMBER	COMPONENT						BLOCKED TERMINALS				STATUS	COMMENT	OPTIONAL ATTACHMENTS SOLD SEPARATELY			
		THE PRESENCE OF AN ABBREVIATION INDICATES THE PRESENCE OF THAT COMPONENT						CAVITY WITH A NUMBER INDICATES BLOCKED TERMINAL POSITION CAVITY WITHOUT A NUMBER INDICATES OPEN TERMINAL POSITION						BACKSHELL WITH RIBS	BACKSHELL WITHOUT RIBS	90° ADAPTOR WITH RIBS	90° ADAPTOR WITHOUT RIBS
		HOUSING KEY/COLOR	GROMMET CAP	PLR	CPA	MAT SEAL	RING SEAL										
MX150 ASSY RCP 2X4 LG B/6	334725040	B-LIGHT GRAY	GCP	PLR		M	RR	-	-	-	-	SALEABLE		N/A	N/A	N/A	N/A
								5	-	7	-						
MX150 ASSY RCP 2X4 BK A/3	334725041	A-BLACK	GCP	PLR		M	RR	-	-	-	4	SALEABLE		N/A	N/A	N/A	N/A
								5	6	7	8						
MX150 ASSY RCP 2X4 BK A/6	334725042	A-BLACK	GCP	PLR		M	RR	-	-	-	-	SALEABLE		N/A	N/A	N/A	N/A
								5	-	-	8						
MX150 ASSY RCP 2X4 BK A/4	334725043	A-BLACK	GCP	PLR		M	RR	-	2	-	4	SALEABLE		N/A	N/A	N/A	N/A
								5	6	-	-						
MX150 ASSY RCP 2X4 BK A/2	334725044	A-BLACK	GCP	PLR		M	RR	1	2	3	4	SALEABLE		N/A	N/A	N/A	N/A
								-	6	7	-						
MX150 ASSY RCP 2X4 BK A/6	334725045	A-BLACK	GCP	PLR		M	RR	-	-	-	4	SALEABLE		N/A	N/A	N/A	N/A
								-	6	-	-						
MX150 ASSY RCP 2X4 CPA BK A/6	334725046	A-BLACK	GCP	PLR	CPA	M	RR	1	-	-	-	SALEABLE		N/A	N/A	N/A	N/A
								-	-	7	-						
MX150 ASSY RCP 2X4 LG B/7	334725047	B-LIGHT GRAY	GCP	PLR		M	RR	-	-	-	-	SALEABLE		N/A	N/A	N/A	N/A
								5	-	-	-						
MX150 ASSY RCP 2X4 BK A/3	334725048	A-BLACK	GCP	PLR		M	RR	1	2	-	-	SALEABLE		N/A	N/A	N/A	N/A
								5	6	-	8						
MX150 ASSY RCP 2X4 BK A/5	334725049	A-BLACK	GCP	PLR		M	RR	1	2	-	-	SALEABLE		N/A	N/A	N/A	N/A
								-	-	-	8						
MX150 ASSY RCP 2X4 BK A/5	334725050	A-BLACK	GCP	PLR		M	RR	-	-	-	4	SALEABLE		N/A	N/A	N/A	N/A
								5	6	-	-						
MX150 ASSY RCP 2X4 BK A/4	334725051	A-BLACK	GCP	PLR		M	RR	1	2	3	-	SALEABLE		N/A	N/A	N/A	N/A
								-	6	-	-						
MX150 ASSY RCP 2X4 BK A/4	334725052	A-BLACK	GCP	PLR		M	RR	-	-	-	4	SALEABLE		N/A	N/A	N/A	N/A
								5	-	7	8						
MX150 ASSY RCP 2X4 BK A/4	334725053	A-BLACK	GCP	PLR		M	RR	-	-	3	4	SALEABLE		N/A	N/A	N/A	N/A
								-	-	7	8						
MX150 ASSY RCP 2X4 BK A/3	334725054	A-BLACK	GCP	PLR		M	RR	1	-	3	4	SALEABLE		N/A	N/A	N/A	N/A
								-	-	7	8						
MX150 ASSY RCP 2X4 BK A/6	334725055	A-BLACK	GCP	PLR		M	RR	-	-	-	4	SALEABLE		N/A	N/A	N/A	N/A
								-	-	-	8						
MX150 ASSY RCP 2X4 BK A/5	334725056	A-BLACK	GCP	PLR		M	RR	-	-	-	4	SALEABLE		N/A	N/A	N/A	N/A
								5	-	-	8						
MX150 ASSY RCP 2X4 SG D/0	334725057	D-STONE GRAY	GCP	PLR		M	RR	1	2	3	4	SALEABLE		N/A	N/A	N/A	N/A
								5	6	7	8						
MX150 ASSY RCP 2X4 CPA BK A/5	334725058	A-BLACK	GCP	PLR	CPA	M	RR	-	2	-	-	SALEABLE		N/A	N/A	N/A	N/A
								5	-	-	8						
MX150 ASSY RCP 2X4 LG B/6	334725059	B-LIGHT GRAY	GCP	PLR		M	RR	-	2	-	-	SALEABLE		N/A	N/A	N/A	N/A
								-	-	7	-						
MX150 ASSY RCP 2X4 LG B/7	334725060	B-LIGHT GRAY	GCP	PLR		M	RR	-	2	-	-	SALEABLE		N/A	N/A	N/A	N/A
								-	-	-	-						
MX150 ASSY RCP 2X4 BK A/2	334725061	A-BLACK	GCP	PLR		M	RR	-	2	3	4	SALEABLE		N/A	N/A	N/A	N/A
								-	6	7	8						
MX150 ASSY RCP 2X4 BK A/4	334725062	A-BLACK	GCP	PLR		M	RR	-	2	3	-	SALEABLE		N/A	N/A	N/A	N/A
								-	6	7	-						
MX150 ASSY RCP 2X4 CS CPA BK A/4	334725063	A-BLACK-CLIP	GCP	PLR	CPA	M	RR	-	-	-	-	SALEABLE		34951-0811	34951-0821	34951-0831	34951-0841
								5	6	7	8						
MX150 ASSY RCP 2X4 CS BK A/4	334725064	A-BLACK-CLIP	GCP	PLR		M	RR	-	-	-	-	SALEABLE		34951-0811	34951-0821	34951-0831	34951-0841
								5	6	7	8						
MX150 ASSY RCP 2X4 LG B/4	334725065	B-LIGHT GRAY	GCP	PLR		M	RR	1	-	-	4	SALEABLE		N/A	N/A	N/A	N/A
								-	-	7	8						
MX150 ASSY RCP 2X4 BK A/7	334725066	A-BLACK	GCP	PLR		M	RR	-	-	3	-	SALEABLE		N/A	N/A	N/A	N/A
								-	-	-	-						

ASSEMBLY DESCRIPTION	ASSEMBLY PART NUMBER	COMPONENT						BLOCKED TERMINALS				STATUS	COMMENT	OPTIONAL ATTACHMENTS SOLD SEPARATELY			
		THE PRESENCE OF AN ABBREVIATION INDICATES THE PRESENCE OF THAT COMPONENT						CAVITY WITH A NUMBER INDICATES BLOCKED TERMINAL POSITION CAVITY WITHOUT A NUMBER INDICATES OPEN TERMINAL POSITION						BACKSHELL WITH RIBS	BACKSHELL WITHOUT RIBS	90° ADAPTOR WITH RIBS	90° ADAPTOR WITHOUT RIBS
		HOUSING KEY/COLOR	GROMMET CAP	PLR	CPA	MAT SEAL	RING SEAL										
MX150 ASSY RCP 2X4 CS BK A/5	334725067	A-BLACK-CLIP	GCP	PLR		M	RR	1	-	-	-	SALEABLE		34951-0811	34951-0821	34951-0831	34951-0841
MX150 ASSY RCP 2X4 LG B/6	334725068	B-LIGHT GRAY	GCP	PLR		M	RR	-	-	7	8	SALEABLE		N/A	N/A	N/A	N/A
MX150 ASSY RCP 2X4 LG B/7	334725069	B-LIGHT GRAY	GCP	PLR		M	RR	5	-	-	8	SALEABLE		N/A	N/A	N/A	N/A

TABLE OF CONTENTS	
SHEET NO.	SHEET DESCRIPTION
1	NOTES AND BOM
2	CONFIGURATIONS
3-4	KEY CONFIGURATIONS
5	RECEPTACLE CONNECTOR ASSEMBLY
6	BACKSHELL NOTES
7	BACKSHELL
8	BACKSHELL CONFIGURATIONS
9	2X10 CONNECTOR INTERFACE DEFINITION

NOTES: VALID UNLESS OTHERWISE SPECIFIED

1. GENERAL:

- a. APPLICATION SPECIFICATION SEE: AS-33472-100
  - CONTAINS: PRODUCT INTRODUCTION, PRODUCT SUMMARY, CONNECTOR ASSEMBLY, PACKAGING INFORMATION, CONNECTOR MATING, SERVICE INSTRUCTIONS, ELECTRICAL CONTINUITY CHECKING, CRIMPING, AND TROUBLESHOOTING.
  - DESIGNED TO MATE WITH DEVICE OR CONNECTOR AS SPECIFIED IN THE MATING INTERFACE/CONNECTOR DRAWINGS CHART.
  - \*DENOTES DRAWINGS THAT CAN BE ACCESSED AT <http://ewcap.uscarteams.org/>.
  - ASSEMBLY SHIPPED WITH PLR IN PRE-LOCK POSITION (SEE PLR PRE-LOCK VIEW SHEET 5).
- b. PRODUCT SPECIFICATION SEE:
  - STANDARD CONFIGURATION (STD): PS-33472-000
  - TRANSMISSION CONFIGURATION (TRNS):
    - CONTAINS SILICONE: TS-160038-0001
    - SILICONE FREE: TBD
  - UL V0 CONFIGURATION (UL V0): TBD
    - CONTAINS: PRODUCT INTRODUCTION, PRODUCT SUMMARY, RATINGS (CURRENT, TEMPERATURE, SEALING, AND FLAMMABILITY), TERMINALS, WIRE DIAMETER RANGE, PRODUCT VALIDATION, AND PRODUCT DEVIATIONS.
- c. PACKAGING SPECIFICATION PER MOLEX DRAWING: SEE PACKAGING CHART
- d. PARTS MUST BE IN COMPLIANCE TO MOLEX CHEMICAL SUBSTANCES FOR PRODUCTS AND PACKAGING SPECIFICATION: QEHS-699000-301
- e. DATA MUST BE SUBMITTED UNDER THE MOLEX PART NUMBER TO IMDS (COMPANY ID#13255)

2. DESIGN - MATERIALS:

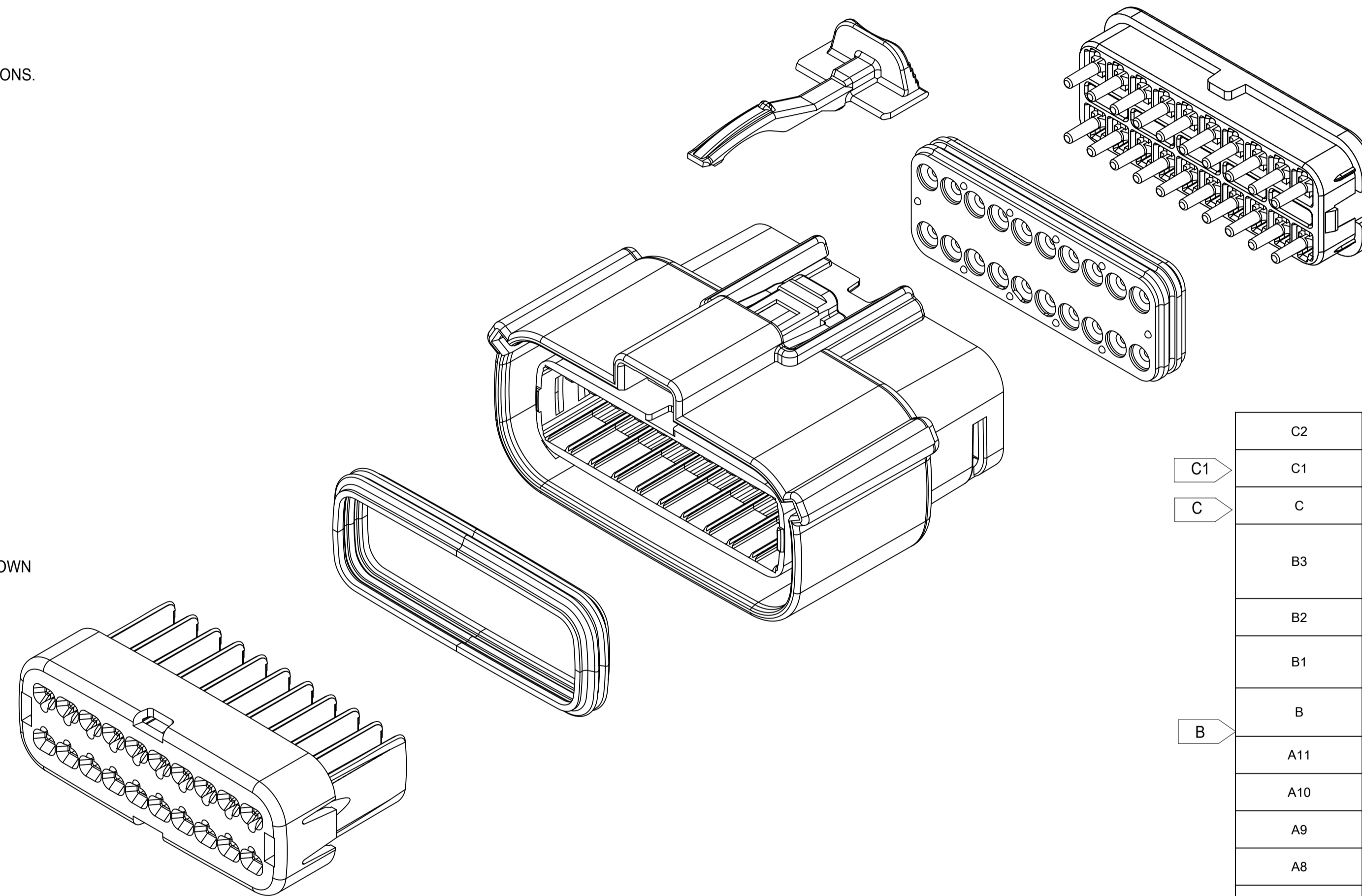
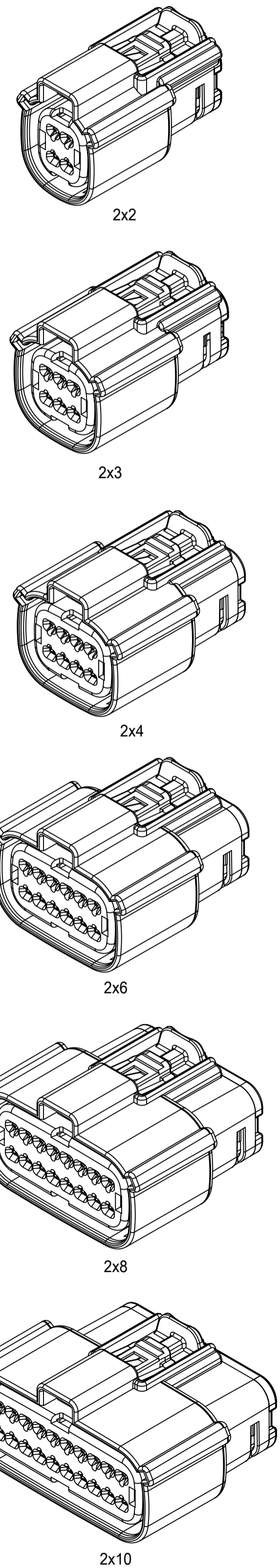
- a. FOR BILL OF MATERIALS SEE:
  - STANDARD CONFIGURATION SD-33472-0002
  - TRANSMISSION CONGRURATION
    - CONTAINS SILICONE: SD-160038-0002
    - SILICONE FREE: SD-160092-0002
  - UL V0 CONFIGURATION SD-160074-0002
- b. TRANSMISSION CONNECTOR COMPONENTS MUST MEET THE MATERIAL REQUIREMENTS SPECIFIED IN TS-160038-0001 & TBD

3. DESIGN - GEOMETRY:

- a. THE 3-D CAD DATA IS BASIC (WITHOUT TOLERANCE) AND MASTER FOR THIS PART WITH THE EXCEPTION OF UNDERLINED DIMENSIONS. DIMENSIONAL INFORMATION NOT SHOWN ON THIS DRAWING IS DEFINED BY THE DATA FILE AT ITS LATEST REVISION.
- b. GEOMETRIC DIMENSIONS AND TOLERANCES PER ASME Y14.5M-2009
- c. EDGES AND UNDIMENSIONED DETAILS PER ISO13715
- d. CORNERS SHOWN AS SHARP TO BE R 0.2 MAX.
- e. LETTERING SHALL BE 0.15 MAX RAISED IN 0.25 MAX RECESS PAD. THIS INCLUDES RECYCLING CODE, CAVITY ID, VENDOR IDENTIFICATION, AND CUSTOMER MATERIAL NUMBER.
- f. VISUAL DEFECTS SHALL MEET COSMETIC STANDARD PS-45499-002 (Class B).
- g. LASER MARKING:
  1. PART NUMBER
  2. DAY OF THE YEAR
  3. SHIFT
  4. YEAR
- FOR ADDITIONAL INFORMATION SEE SECTION 5 UNDER PROCEDURES IN ES-34735-008.
- h. 2X2 CLIP-SLOT DESIGN IS BASED ON USCAR/EWCAP 7mm CLIP SLOT EWCAP - 005 - 7
- 2X3 THRU 2X10 CLIP-SLOT DESIGN IS BASED ON USCAR/EWCAP 11mm CLIP SLOT EWCAP - 005 - 11

DESCRIPTION	DRAWING NO.
2X2	PK-31300-635
2X3	PK-31300-903
2X4	PK-31300-903
2X6	PK-31300-903
2X8	PK-31300-903
2X10	PK-31300-903

MATING INTERFACE/CONNECTOR DRAWINGS		
DESCRIPTION	INTERFACE DEFINITION	MOLEX INLINE
STANDARD 2X2	*150-S-004-2-Z02	SD-33482-0001
UL V0 2X2	*150-S-004-2-Z02	SD-33482-0001
STANDARD 2X3	*150-S-006-2-Z02	SD-33482-0001
TRANSMISSION 2X3	*150-S-006-2-Z02	N/A
STANDARD 2X4	*150-S-008-2-Z02	SD-33482-0001
UL V0 2X4	*150-S-008-2-Z02	SD-33482-0001
STANDARD 2X6	*150-S-012-2-Z01	SD-33482-0001
UL V0 2X6	*150-S-012-2-Z01	SD-33482-0001
STANDARD 2X8	*150-S-016-2-Z01	SD-33482-0001
STANDARD 2X10	SD-33472-0001	SD-33482-0001
UL V0 2X10	SD-33472-0001	SD-33482-0001



C2	ADDED MOLEX BACKSHELL DETAILS
C1	ADDED 2X6-TRNS.-WITH/WITHOUT CLIPSLOT *
C	ADDED 2X10-STD.-WITH CLIPSLOT *
B3	ADD ROW FOR 2X6 V0 ON SHEET 5DIM3# UPDATE TO 25.0 MAX FOR V0DIM11# UPDATE TO 33.85 MAX FOR V0
B2	ADD 2X6 UL V0 CONFIGURATIONS
B1	UPDATE 2X6 W/O CLIPSLOT DIM G ON TABLE OF SHEET 5
B	ADDED 2X2 - STD- WITH CLIPSLOT, 2X8 - STD- WITH CLIPSLOT AND NOTE h
A11	MINOR GEOMETRY CHANGE FOR UL V0
A10	UPDATED 2X4 DRAWING NUMBER
A9	UPDATED 2X10 PART NUMBERS
A8	UPDATED 2X3 DRAWING NUMBER
A7	UPDATED 2X10 INTERFACE
A6	ADDED TRANSMISSION REFERENCES
A5	ADD 2X10 INTERFACE SHEETS
A4	ADD UL V0 CONFIGURATIONS
A3	ADDED 2X3 STD AND TRANSMISSION
A2	UPDATED 2X8 BLD DRAWINGS
A1	FIXED TYPO IN NOTE 1a, UPDATED 2X6 MOLEX INLINE BLADE DRAWING
A	INITIAL RELEASE
REV	REV DESCRIPTION

INSPECTION NUMBER LOG	
LAST NUMBER:	11
ADDED:	11
REMOVED:	

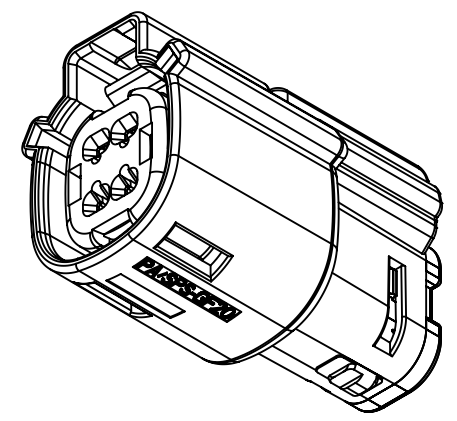
<b>SYMBOLS</b> THIS DRAWING CONTAINS INFORMATION THAT IS PROPRIETARY TO MOLEX ELECTRONIC TECHNOLOGIES, LLC AND SHOULD NOT BE USED WITHOUT WRITTEN PERMISSION DIMENSION UNITS: mm SCALE: 1:1 GENERAL TOLERANCES (UNLESS SPECIFIED): ANGULAR TOL: ± 1.0° 4 PLACES: ± 3 PLACES: ± 2 PLACES: ± 0.1 1 PLACE: ± 0.2 0 PLACES: ± DRAFT WHERE APPLICABLE MUST REMAIN WITHIN DIMENSIONS	CURRENT REV DESC: EC NO: 171650 DRWN: DDEB 2018/01/19 CHK'D: MVANSLAMBROU 2018/02/16 APPR: MVANSLAMBROU 2018/02/16 INITIAL REVISION: DRWN: APROFFITT 2014/05/14 APPR: VKOSHY 2014/06/27	 MX150 RCPT DUAL ROW SEALED ASSEMBLY MAT SEAL PRODUCT CUSTOMER DRAWING
	DOCUMENT NUMBER: SD-33472-0001 DOC TYPE: PSD DOC PART: 001 REVISION: C2	
MATERIAL NUMBER: A1-SIZE CUSTOMER: GENERAL MARKET SHEET NUMBER: 33472 SERIES: 33472 1 OF 11		

DOCUMENT STATUS	RELEASE DATE	2018/02/16	22:02:25
P1			

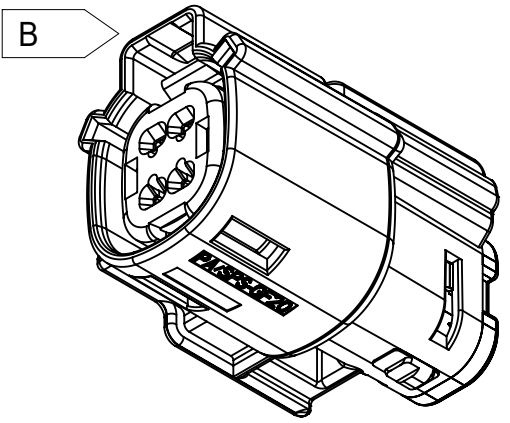


# SHEET DESCRIPTION

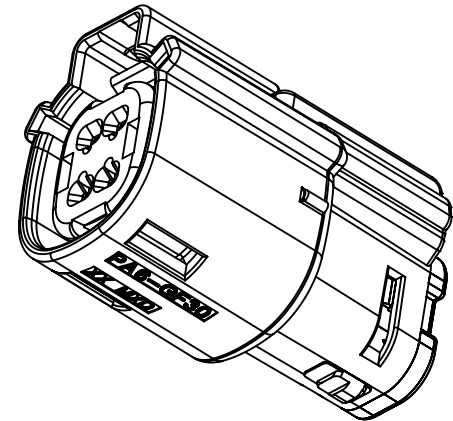
## CONFIGURATIONS



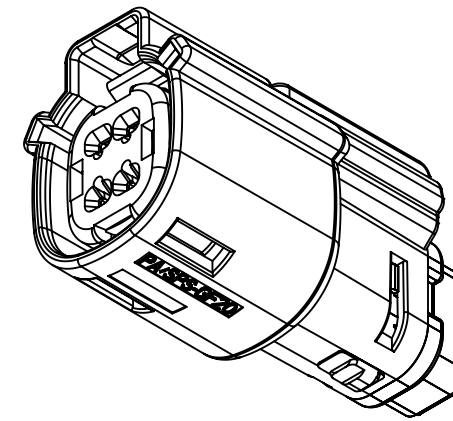
2X2 - STD.  
2X2 - TRNS. - SILICONE FREE †



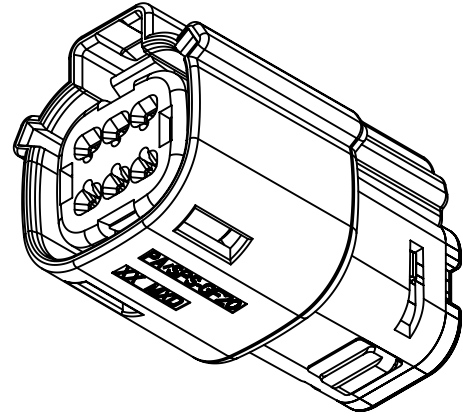
2X2 - STD. - WITH CLIPSLOT \*



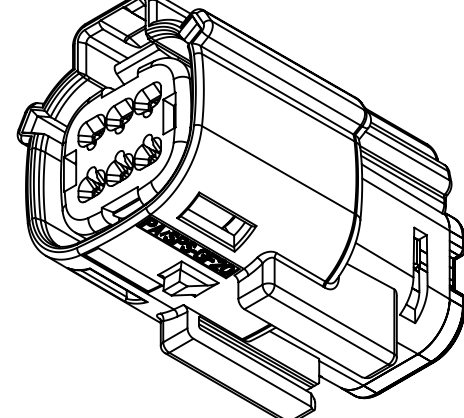
† 2X2 - UL V0



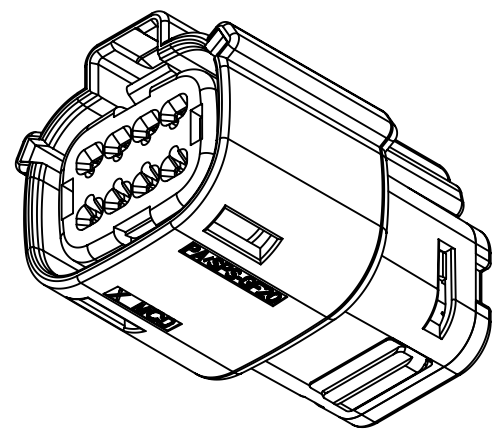
2X2 - STD. - LENGTHENED



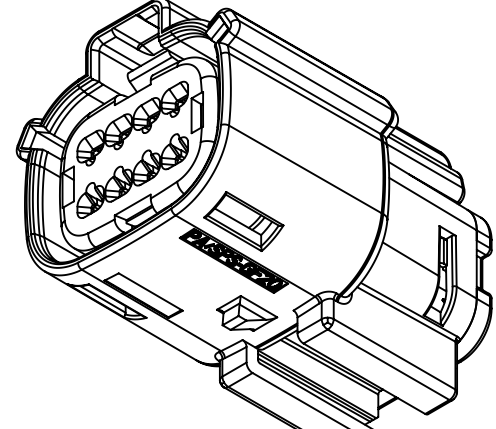
2X3 - STD.  
2X3 - TRNS. - CONTAINS SILICONE †



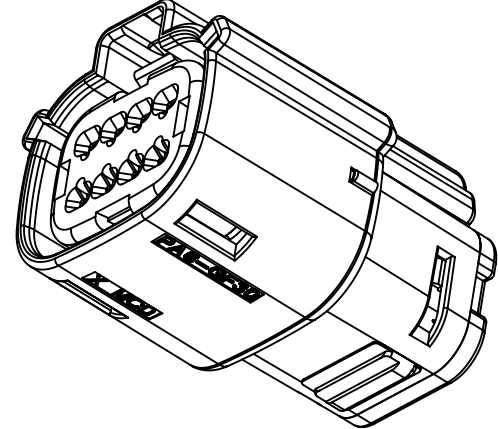
2X3 - STD. - WITH CLIPSLOT \*



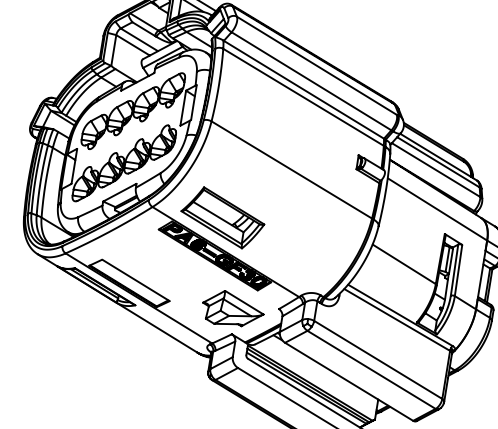
2X4 - STD.



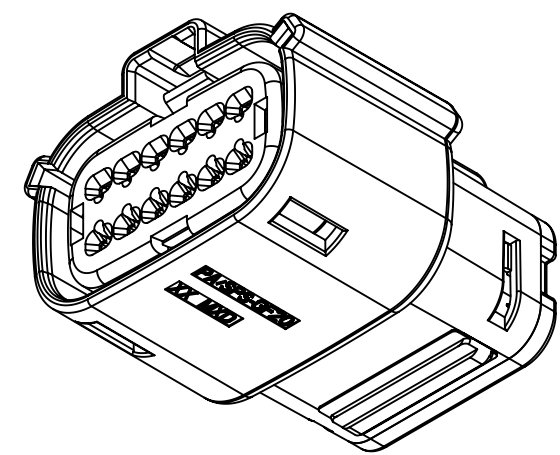
2X4 - STD. - WITH CLIPSLOT \*



† 2X4 - UL V0

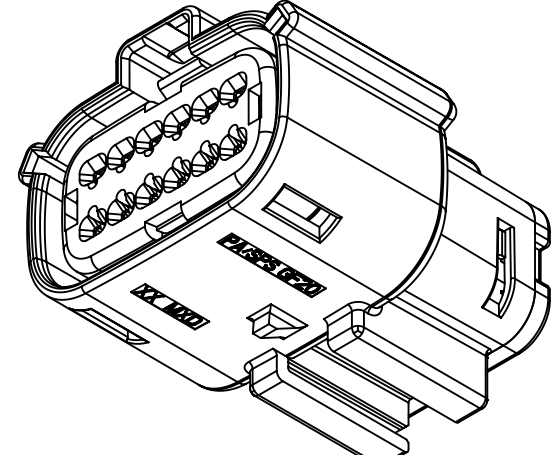


† 2X4 - UL V0-WITH CLIPSLOT\*



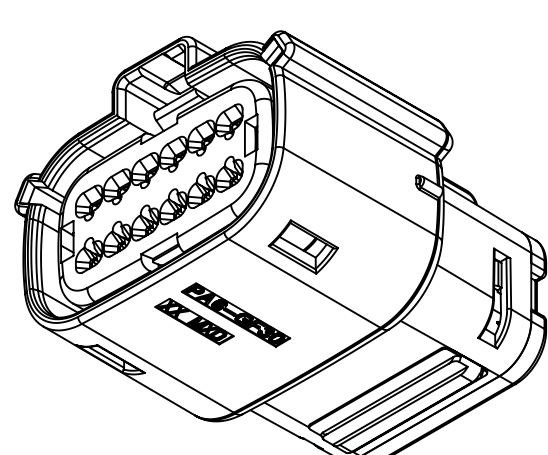
2X6 - STD.

C1 † 2X6 - TRNS.

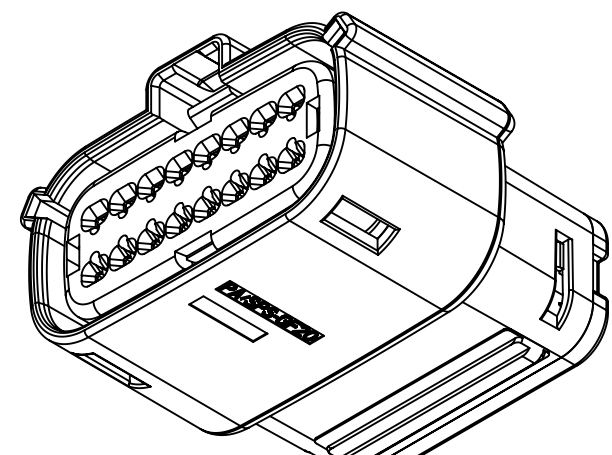


2X6 - STD. - WITH CLIPSLOT \*

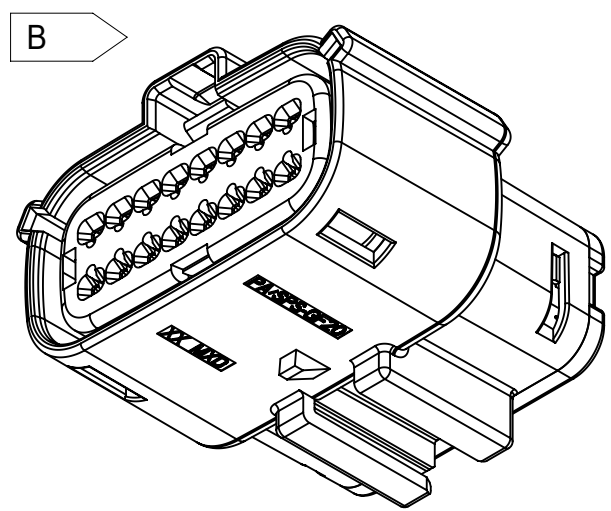
C1 † 2X6 - TRNS. - WITH CLIPSLOT \*



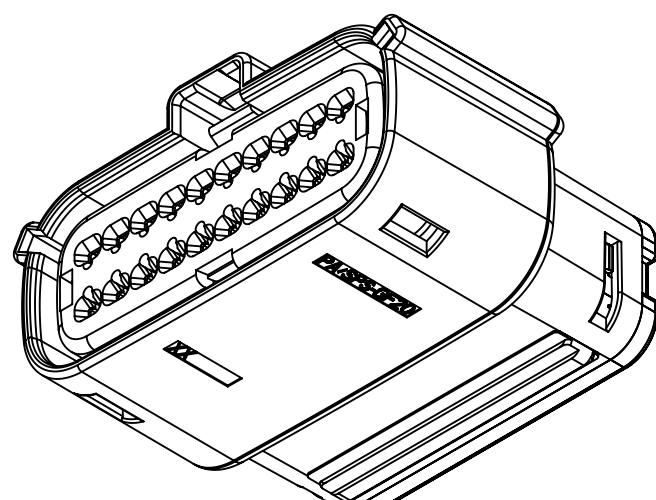
† 2X6 - UL V0



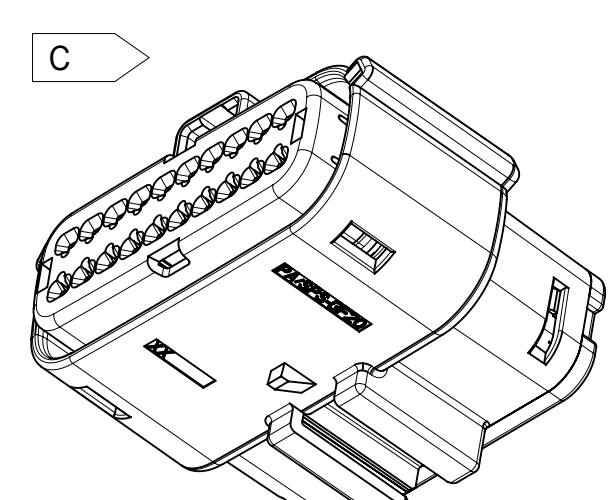
2X8 - STD.



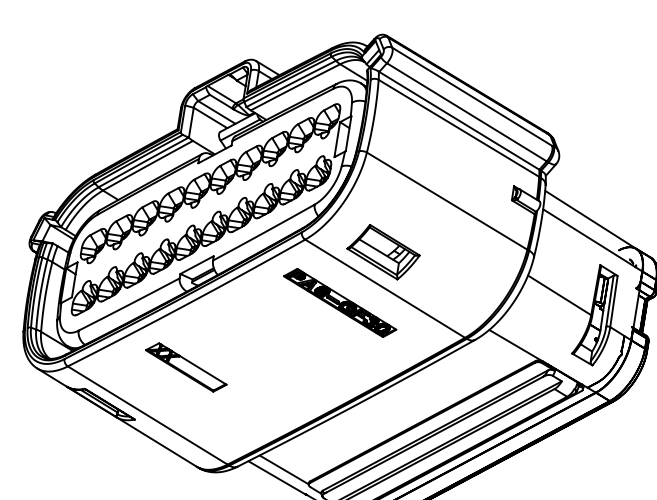
2X8 - STD. - WITH CLIPSLOT \*



2X10 - STD.



2X10 - STD. - WITH CLIPSLOT \*



† 2X10 - UL V0

\* WITH CLIPSLOT CONFIGURATION DOES NOT MEET THE USCAR PACKAGING FRAME REQUIREMENTS  
† MINOR GEOMETRY DIFFERENCE THAN STANDARD CONFIGURATION  
SEE NOTES 1a & 2a-b FOR MORE INFORMATION

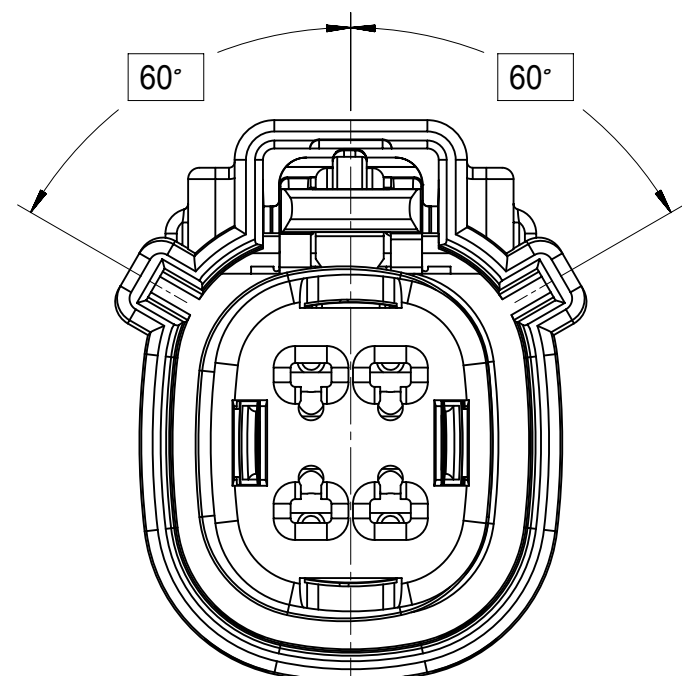
SYMBOLS		THIS DRAWING CONTAINS INFORMATION THAT IS PROPRIETARY TO MOLEX ELECTRONIC TECHNOLOGIES, LLC AND SHOULD NOT BE USED WITHOUT WRITTEN PERMISSION		CURRENT REV DESC:		molex	
	= 0	DIMENSION UNITS	SCALE	EC NO: 171650		MX150 RCPT	
	= 0	mm	1:1	DRWN: DDEB 2018/01/19		DUAL ROW SEALED ASSEMBLY MAT SEAL	
	= 0	GENERAL TOLERANCES (UNLESS SPECIFIED)		CHK'D: MVANSLAMBROU 2018/02/16		PRODUCT CUSTOMER DRAWING	
	= 0	ANGULAR TOL ± 1.0°		APPR: MVANSLAMBROU 2018/02/16		DOCUMENT NUMBER	
	= 0	4 PLACES ±		INITIAL REVISION:		DOC TYPE   DOC PART   REVISION	
	= 0	3 PLACES ±		DRWN: APROFFITT 2014/05/14		SD-33472-0001	
	= 0	2 PLACES ± 0.1		APPR: VKOSHY 2014/06/27		PSD 001 C2	
	= 0	1 PLACE ± 0.2		DRAFT WHERE APPLICABLE MUST REMAIN WITHIN DIMENSIONS		MATERIAL NUMBER	
	= 0	0 PLACES ±		THIRD ANGLE PROJECTION		CUSTOMER	
	= 0			DRAWING		SHEET NUMBER	
				A1-SIZE		2 OF 11	
				SERIES		GENERAL MARKET	
				33472			



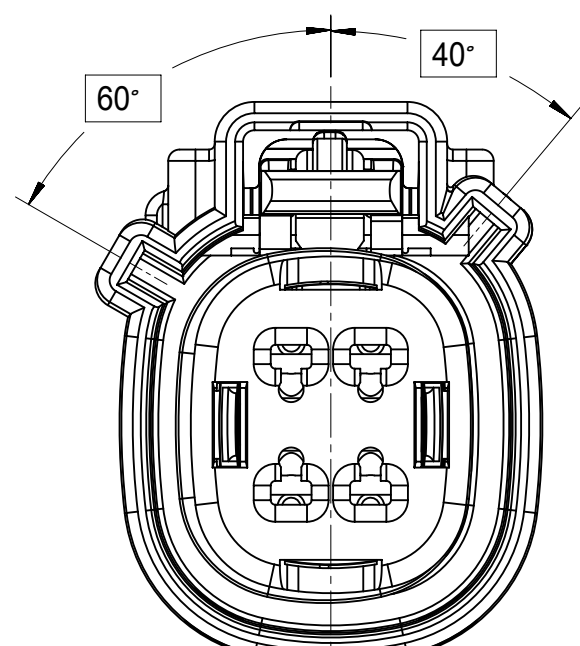
# SHEET DESCRIPTION

KEY CONFIGURATIONS

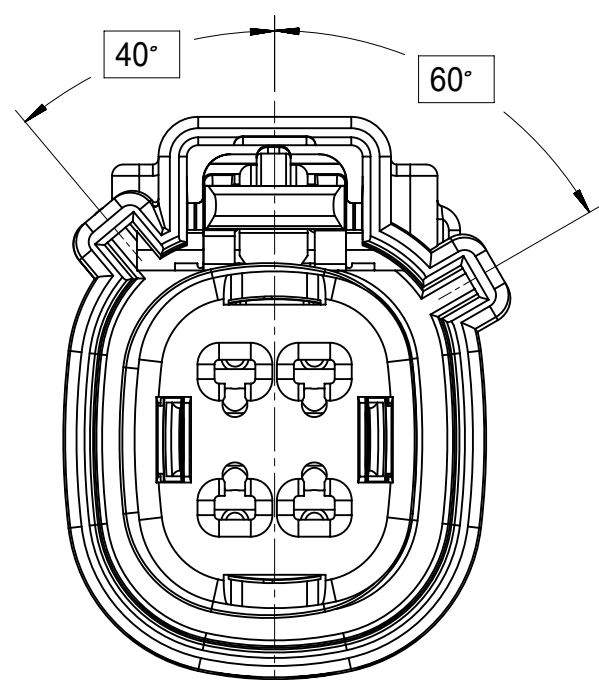
## 2X2



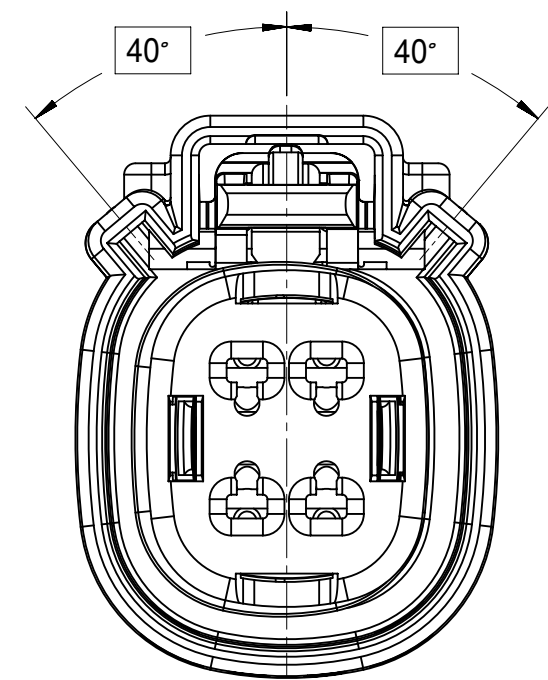
KEY A



KEY B

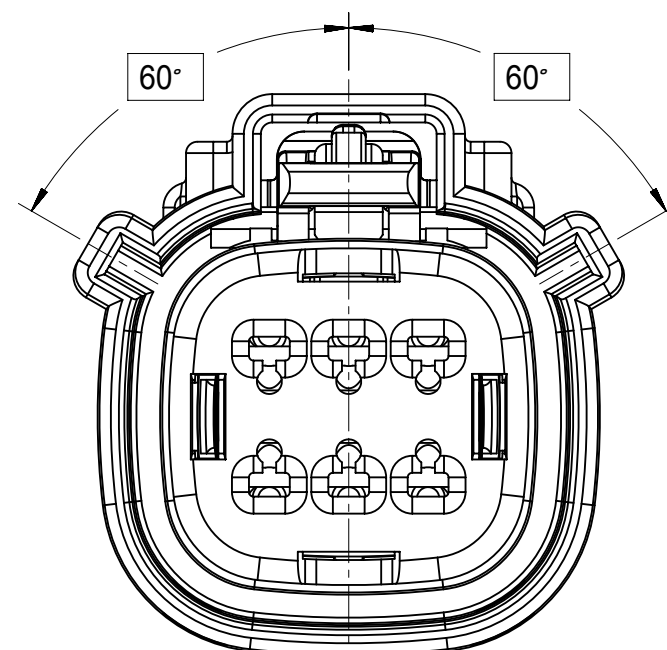


KEY C

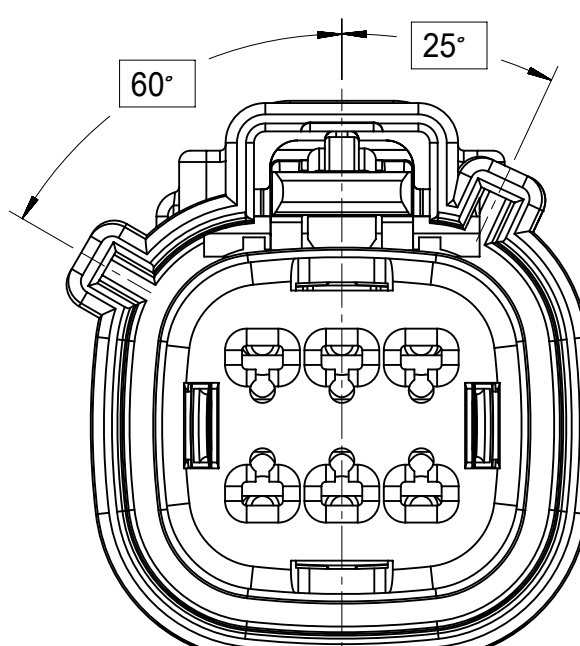


KEY D

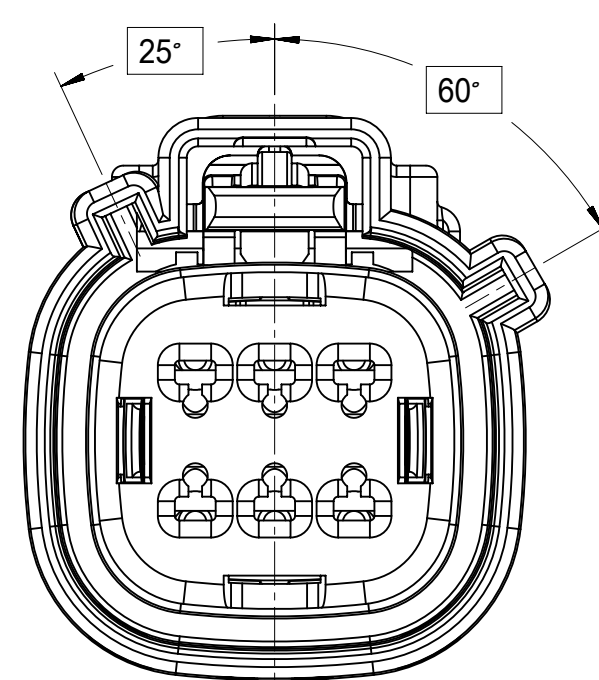
## 2X3



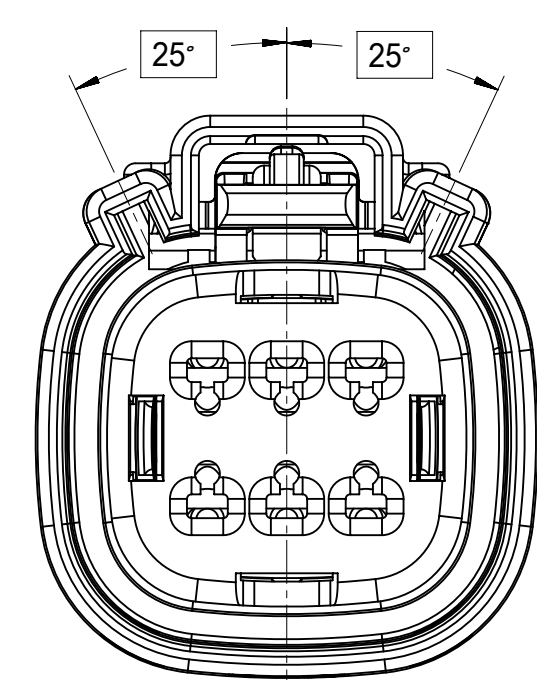
KEY A



KEY B

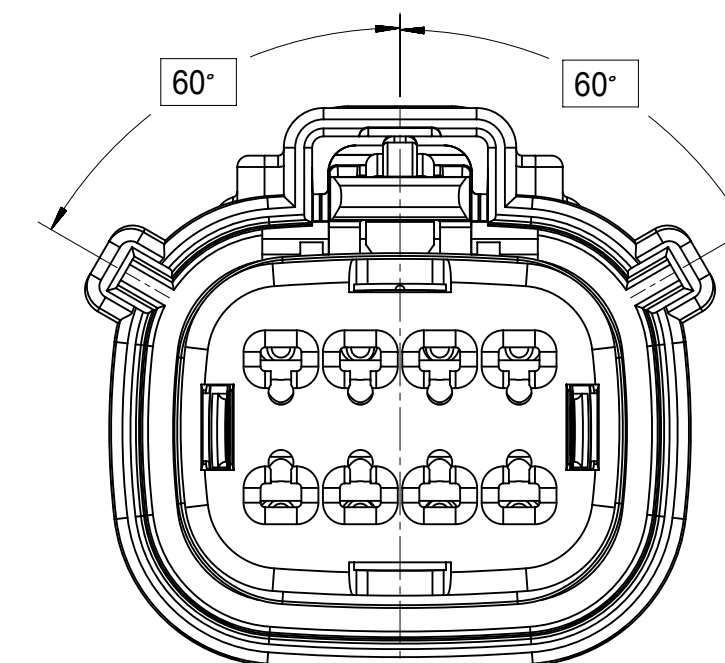


KEY C

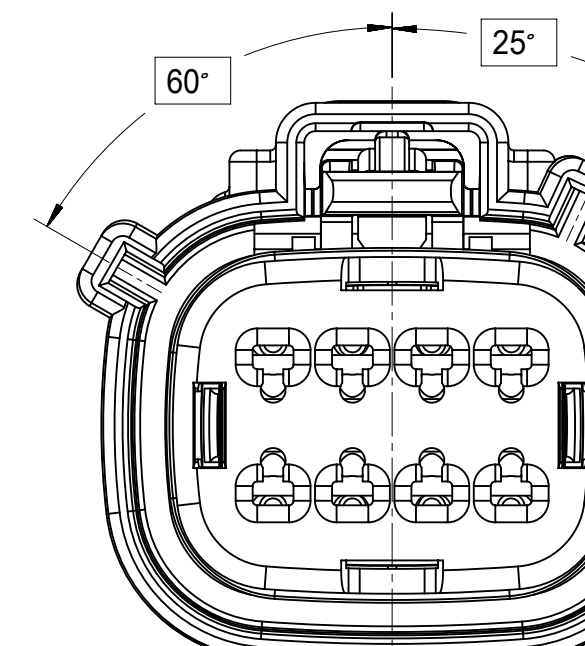


KEY D

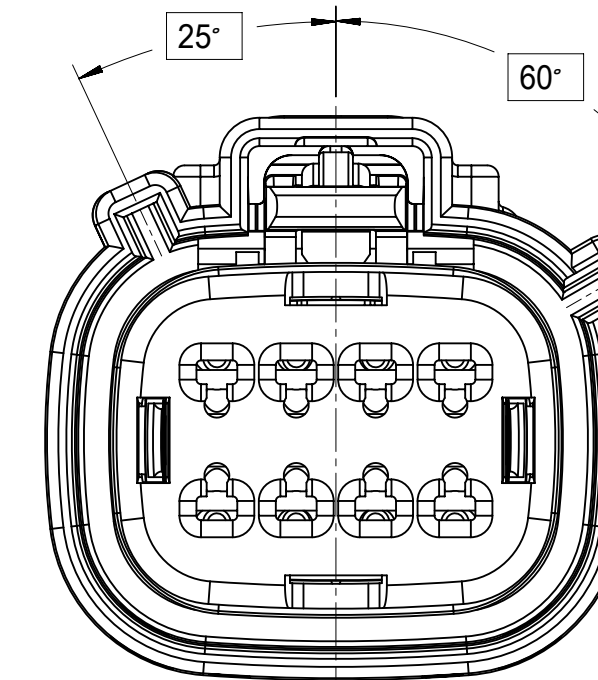
## 2X4



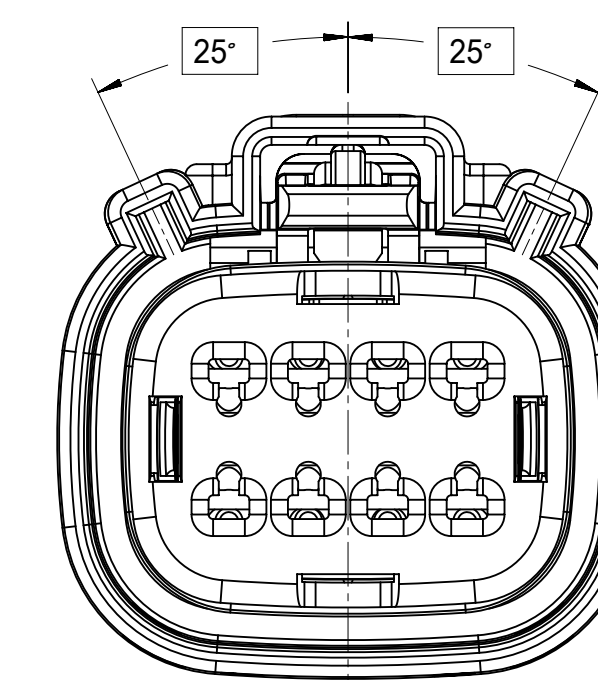
KEY A



KEY B



KEY C



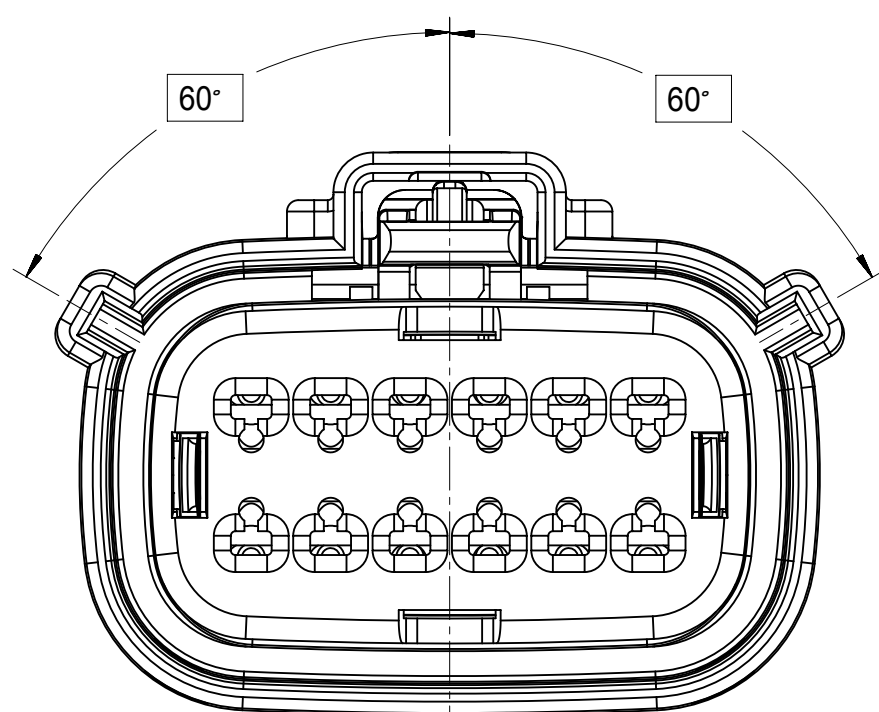
KEY D

<b>SYMBOLS</b> = 0 = 0 = 0 = 0 = 0 = 0 = 0 = 0 = 0 = 0	THIS DRAWING CONTAINS INFORMATION THAT IS PROPRIETARY TO MOLEX ELECTRONIC TECHNOLOGIES, LLC AND SHOULD NOT BE USED WITHOUT WRITTEN PERMISSION DIMENSION UNITS: <b>mm</b> SCALE: <b>1:1</b>	CURRENT REV DESC: EC NO: 171650 DRWN: DDEB 2018/01/19 CHK'D: MVANSLAMBROU 2018/02/16 APPR: MVANSLAMBROU 2018/02/16			
	GENERAL TOLERANCES (UNLESS SPECIFIED) ANGULAR TOL ± 1.0° 4 PLACES ± 3 PLACES ± 2 PLACES ± 0.1 1 PLACE ± 0.2 0 PLACES ±	INITIAL REVISION: DRWN: APROFFITT 2014/05/14 APPR: VKOSHY 2014/06/27	DOCUMENT NUMBER: <b>SD-33472-0001</b> DOC TYPE: PSD DOC PART: 001 REVISION: C2	PRODUCT CUSTOMER DRAWING	MATERIAL NUMBER: <b>33472</b> CUSTOMER: <b>GENERAL MARKET</b> SHEET NUMBER: <b>3 OF 11</b>
DRAFT WHERE APPLICABLE MUST REMAIN WITHIN DIMENSIONS THIRD ANGLE PROJECTION 	DRAWING: <b>A1-SIZE</b> SERIES: <b>33472</b>				

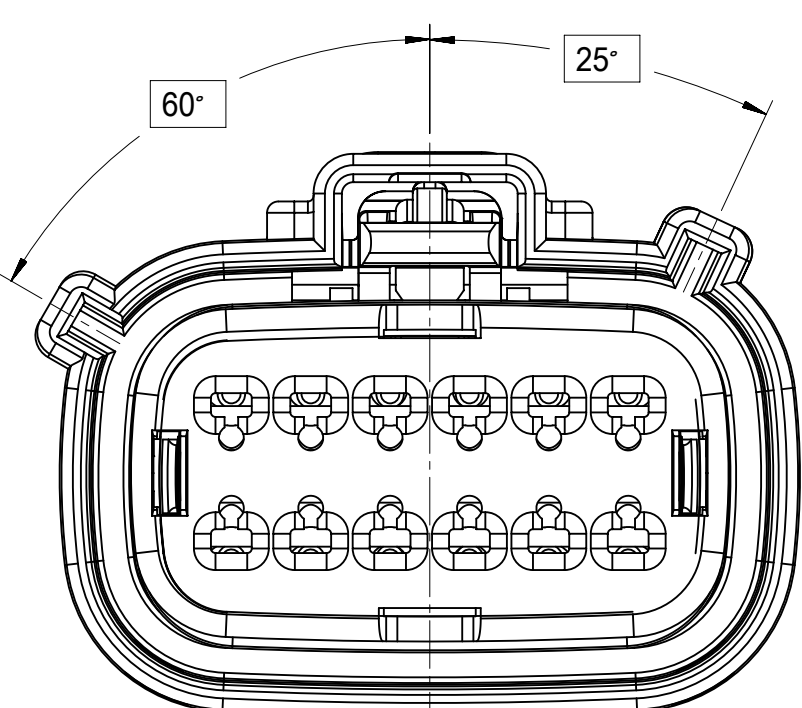
# SHEET DESCRIPTION

KEY CONFIGURATIONS CONT.

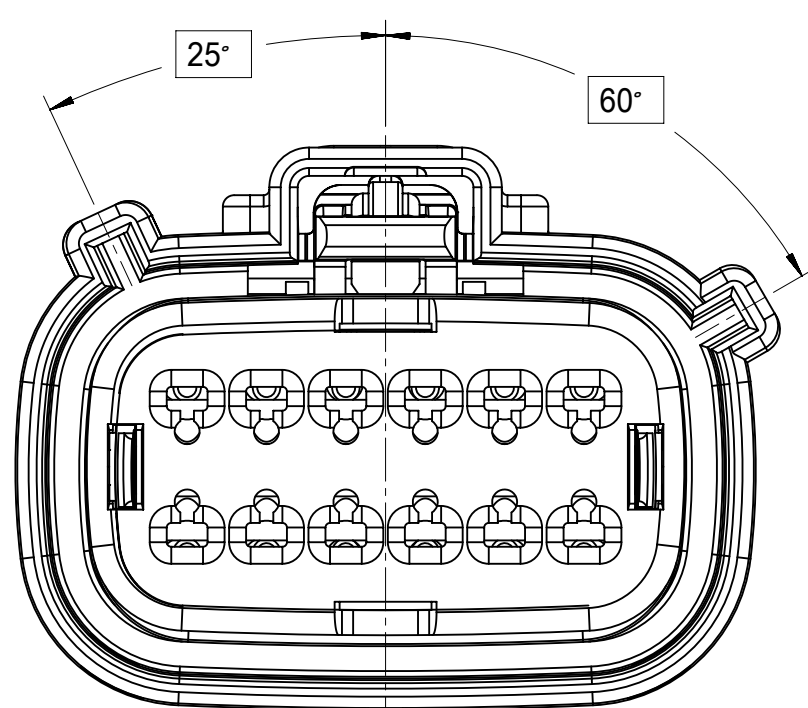
## 2X6



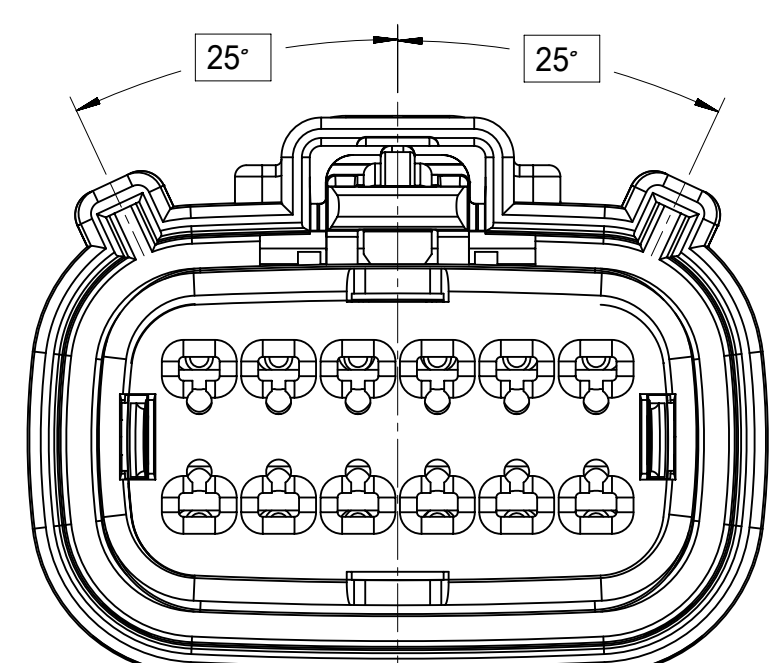
KEY A



KEY B

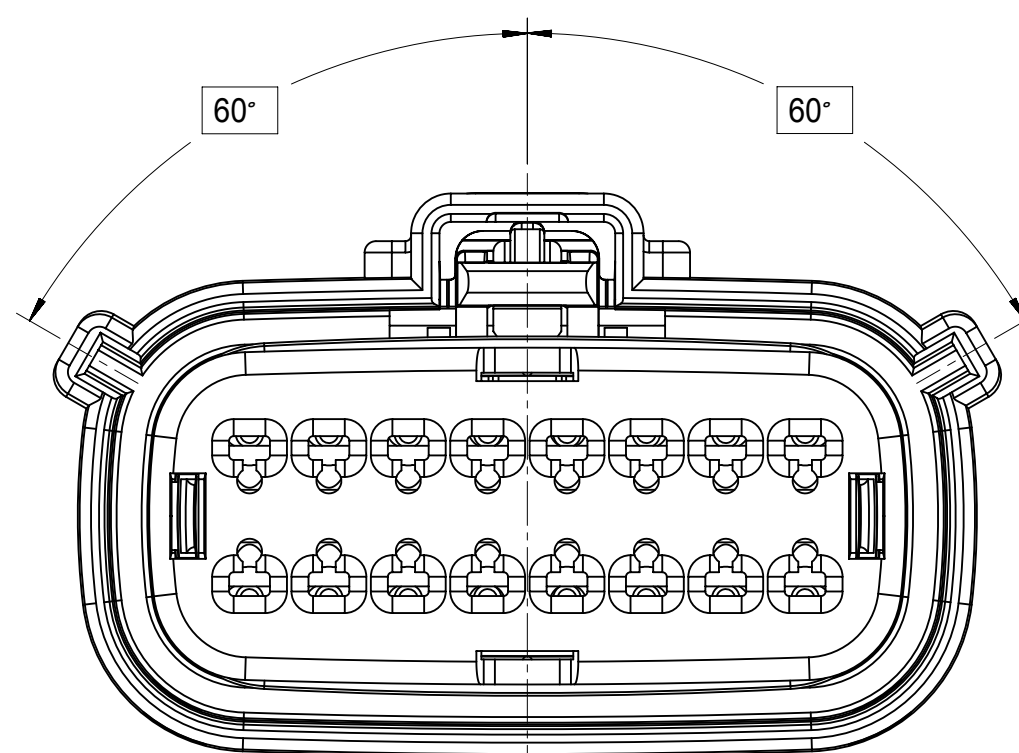


KEY C

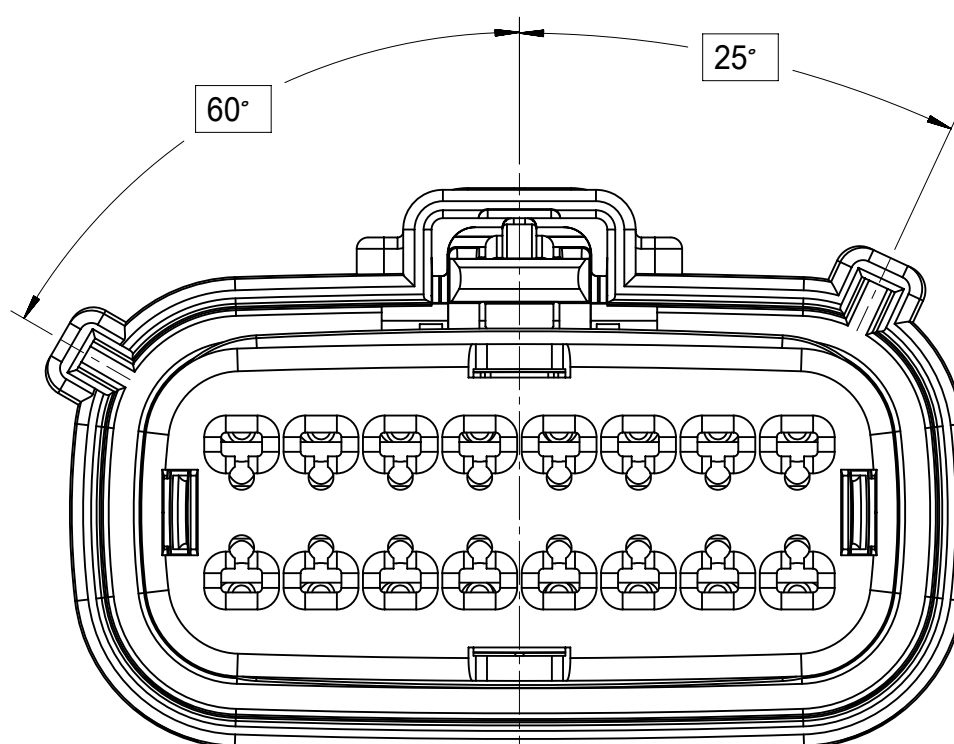


KEY D

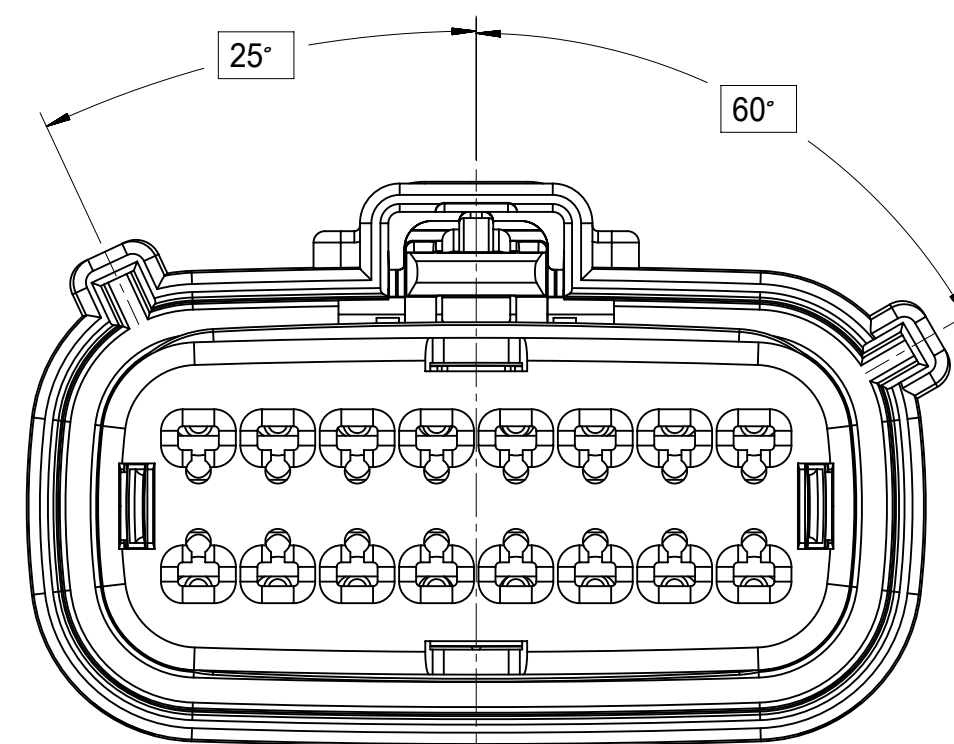
## 2X8



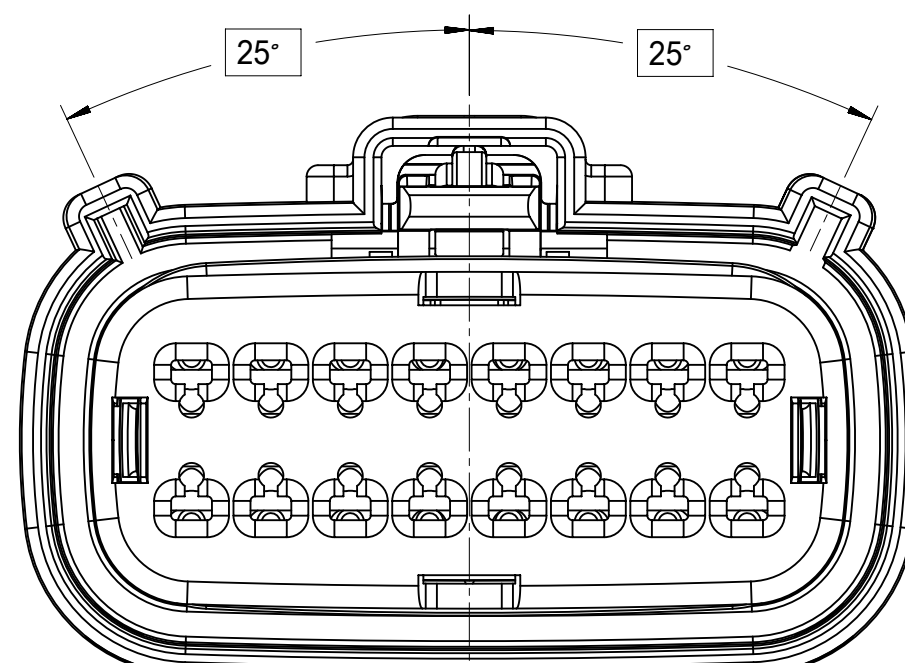
KEY A



KEY B

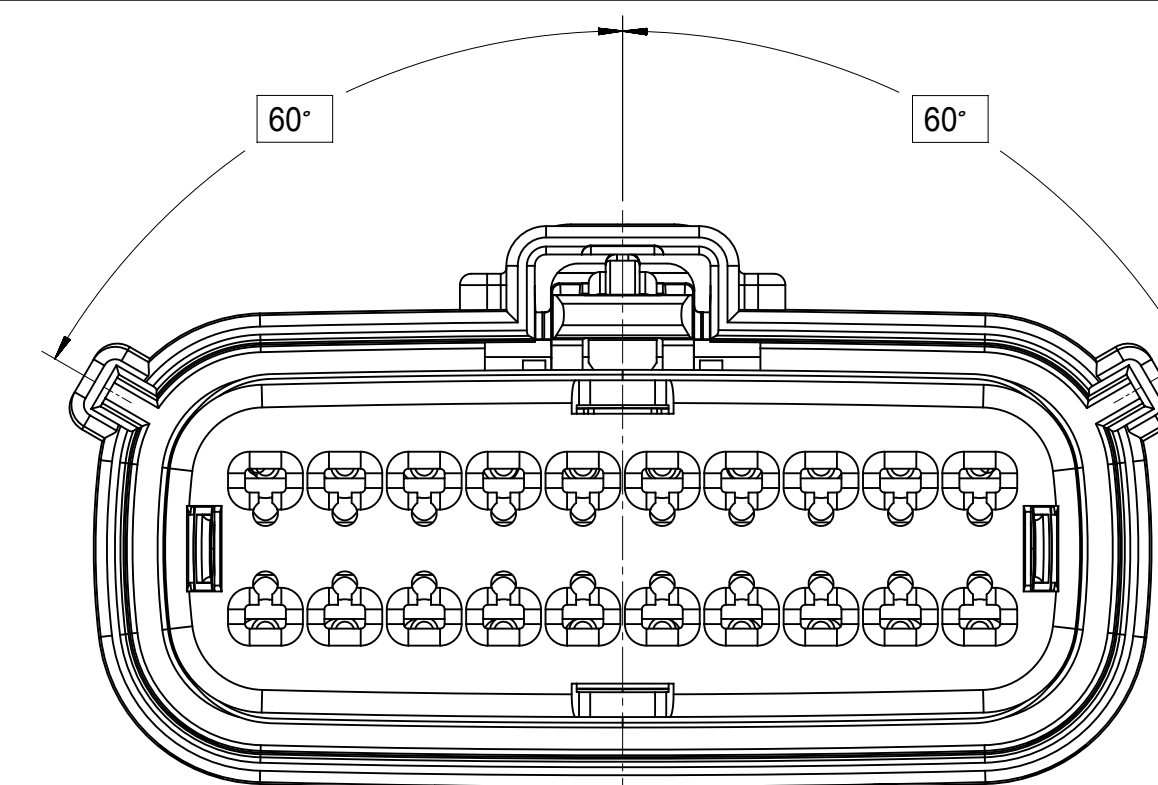


KEY C

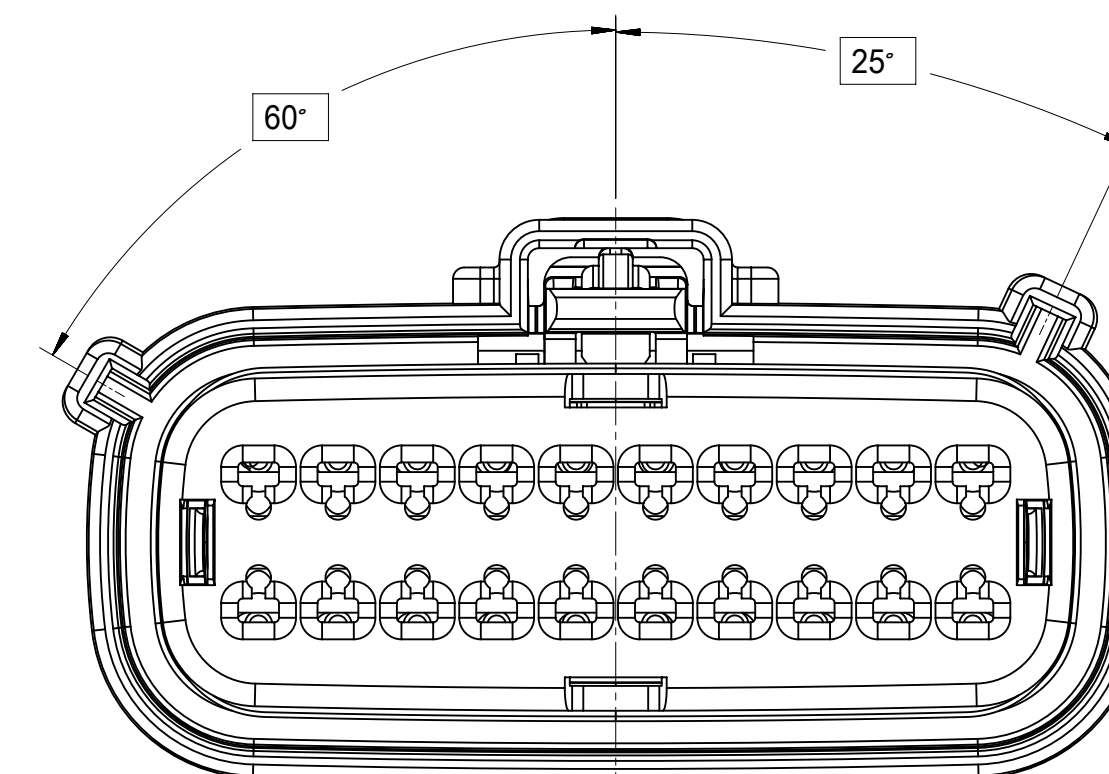


KEY D

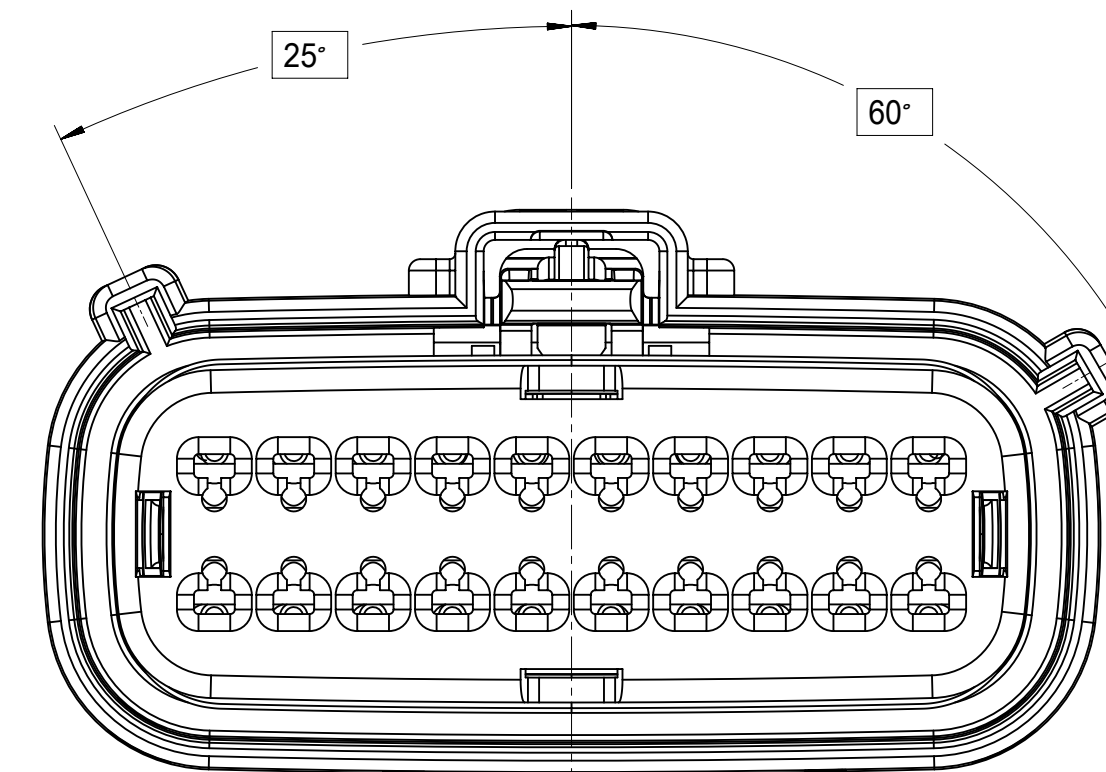
## 2X10



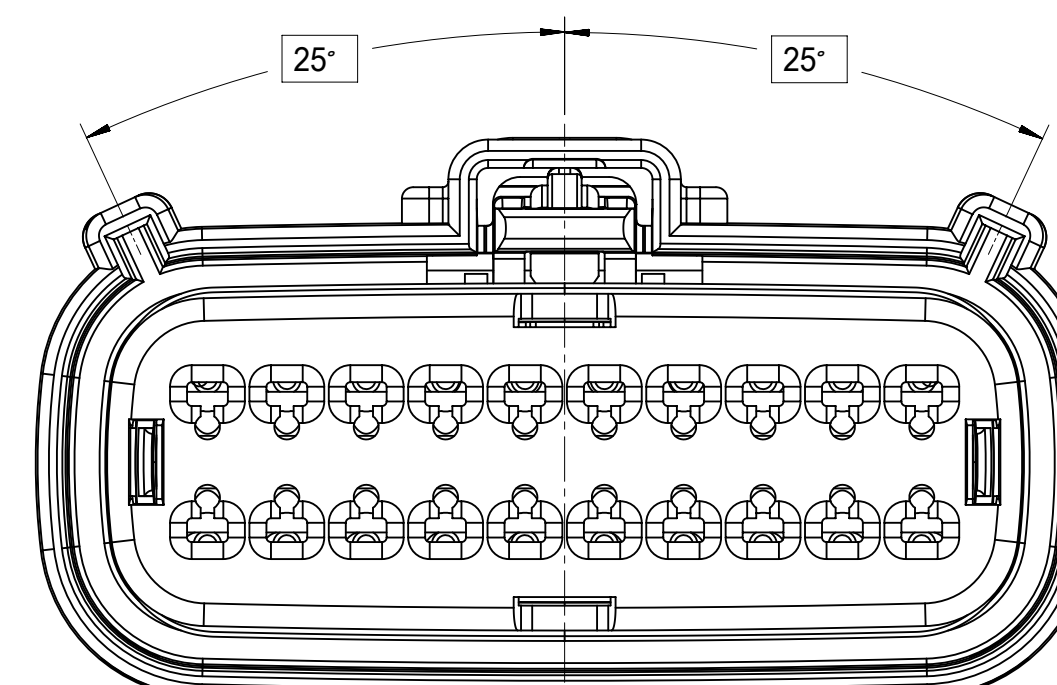
KEY A



KEY B



KEY C

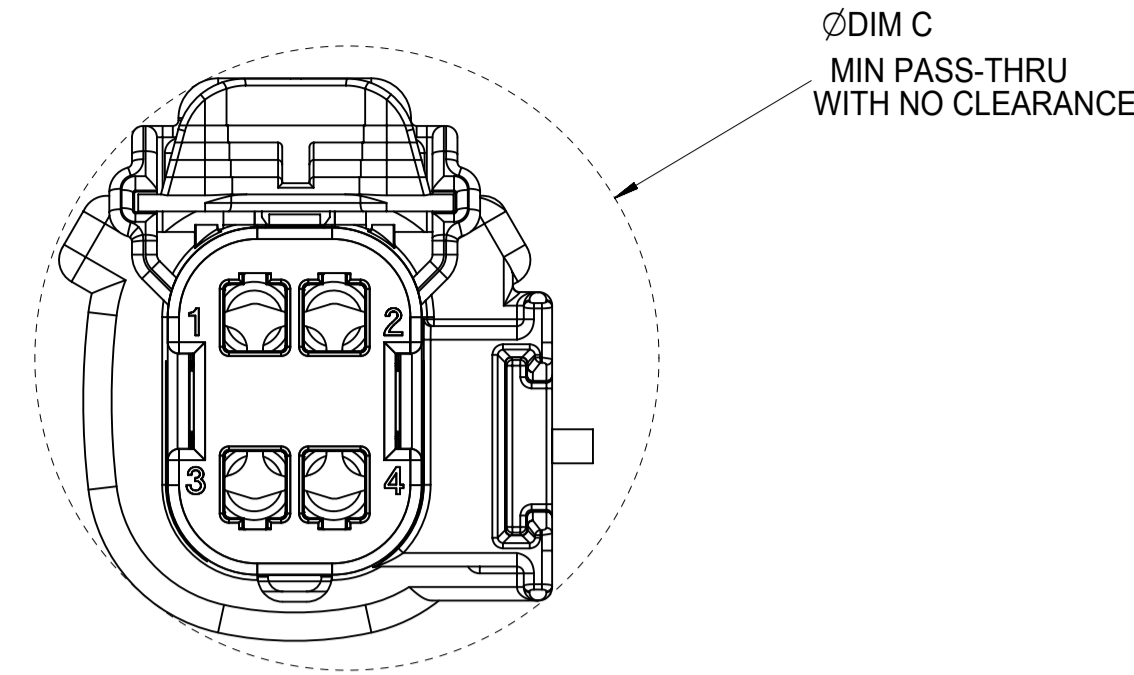
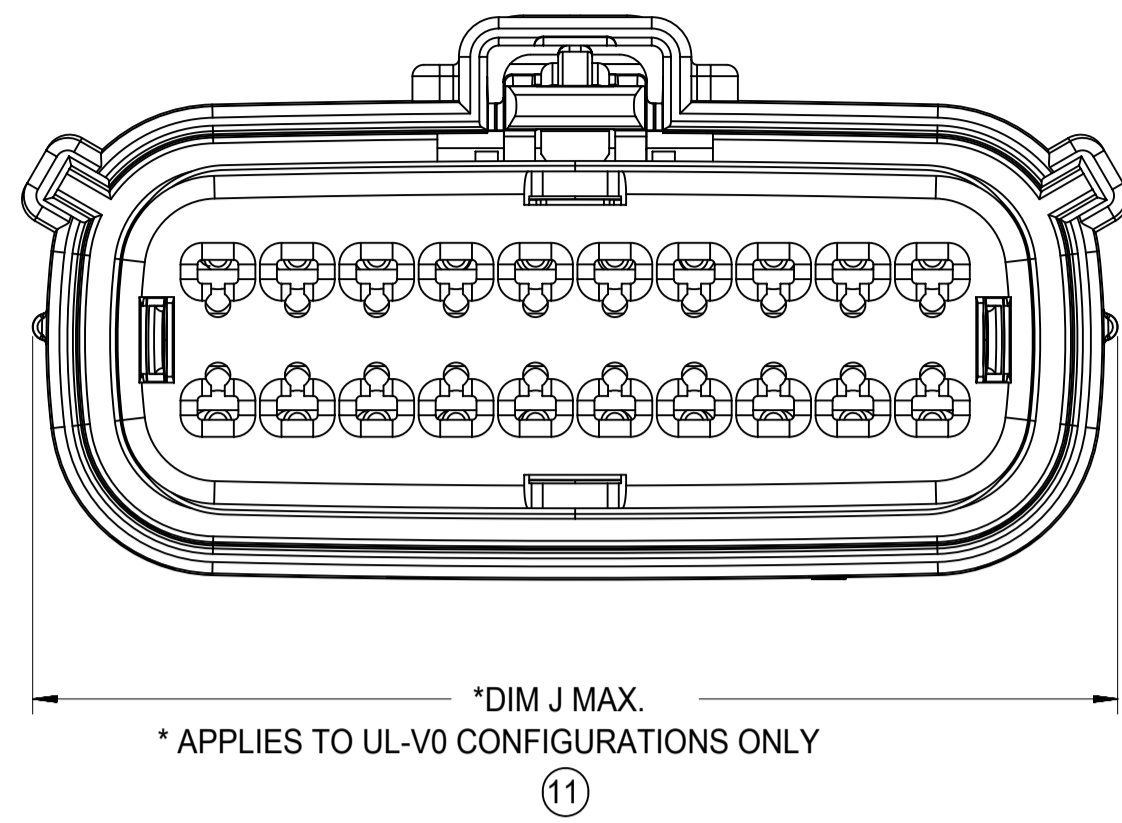


KEY D

SYMBOLS		THIS DRAWING CONTAINS INFORMATION THAT IS PROPRIETARY TO MOLEX ELECTRONIC TECHNOLOGIES, LLC AND SHOULD NOT BE USED WITHOUT WRITTEN PERMISSION		CURRENT REV DESC:		<b>MX150 RCPT</b> DUAL ROW SEALED ASSEMBLY MAT SEAL				
DIMENSION UNITS	SCALE	GENERAL TOLERANCES (UNLESS SPECIFIED)		EC NO: 171650					DOCUMENT NUMBER	DOC TYPE
▽ = 0	mm	1:1			DRWN: DDEB	2018/01/19	SD-33472-0001	PSD	001	C2
▽ = 0			ANGULAR TOL ± 1.0°		CHK'D: MVANSLAMBROU	2018/02/16				
▽ = 0			4 PLACES ±		APPR: MVANSLAMBROU	2018/02/16	PRODUCT CUSTOMER DRAWING			
▽ = 0			3 PLACES ±		INITIAL REVISION:					
▽ = 0			2 PLACES ± 0.1		DRWN: APROFFITT	2014/05/14				
▽ = 0			1 PLACE ± 0.2		APPR: VKOSHY	2014/06/27				
▽ = 0			0 PLACES ±		THIRD ANGLE PROJECTION		MATERIAL NUMBER	CUSTOMER	SHEET NUMBER	
▽ = 0			DRAFT WHERE APPLICABLE MUST REMAIN WITHIN DIMENSIONS			DRAWING	33472	GENERAL MARKET	4 OF 11	

# SHEET DESCRIPTION

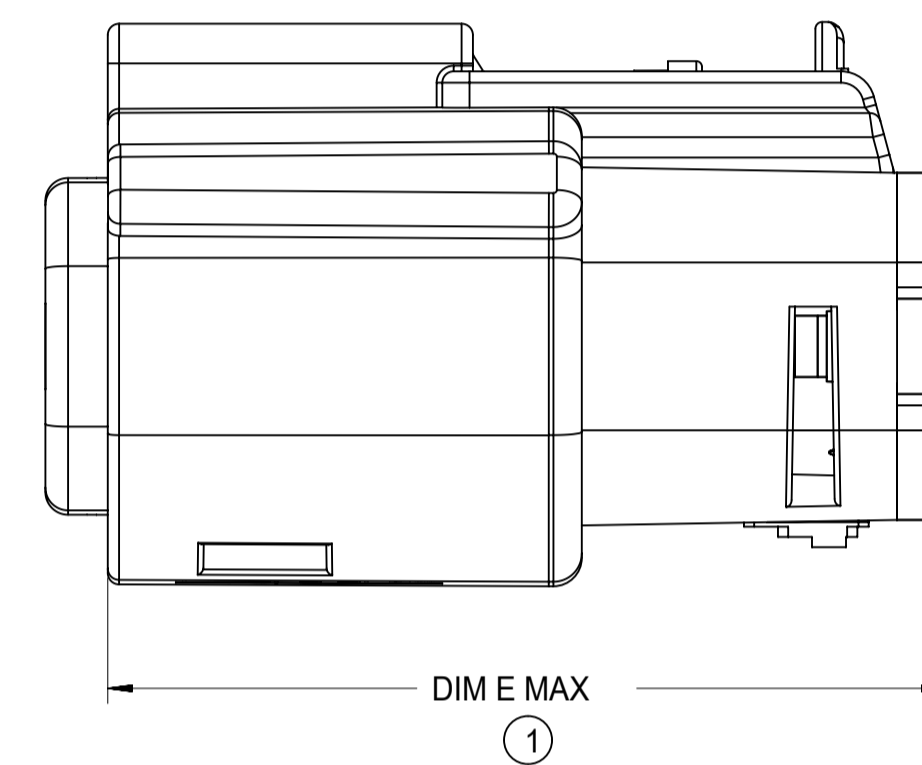
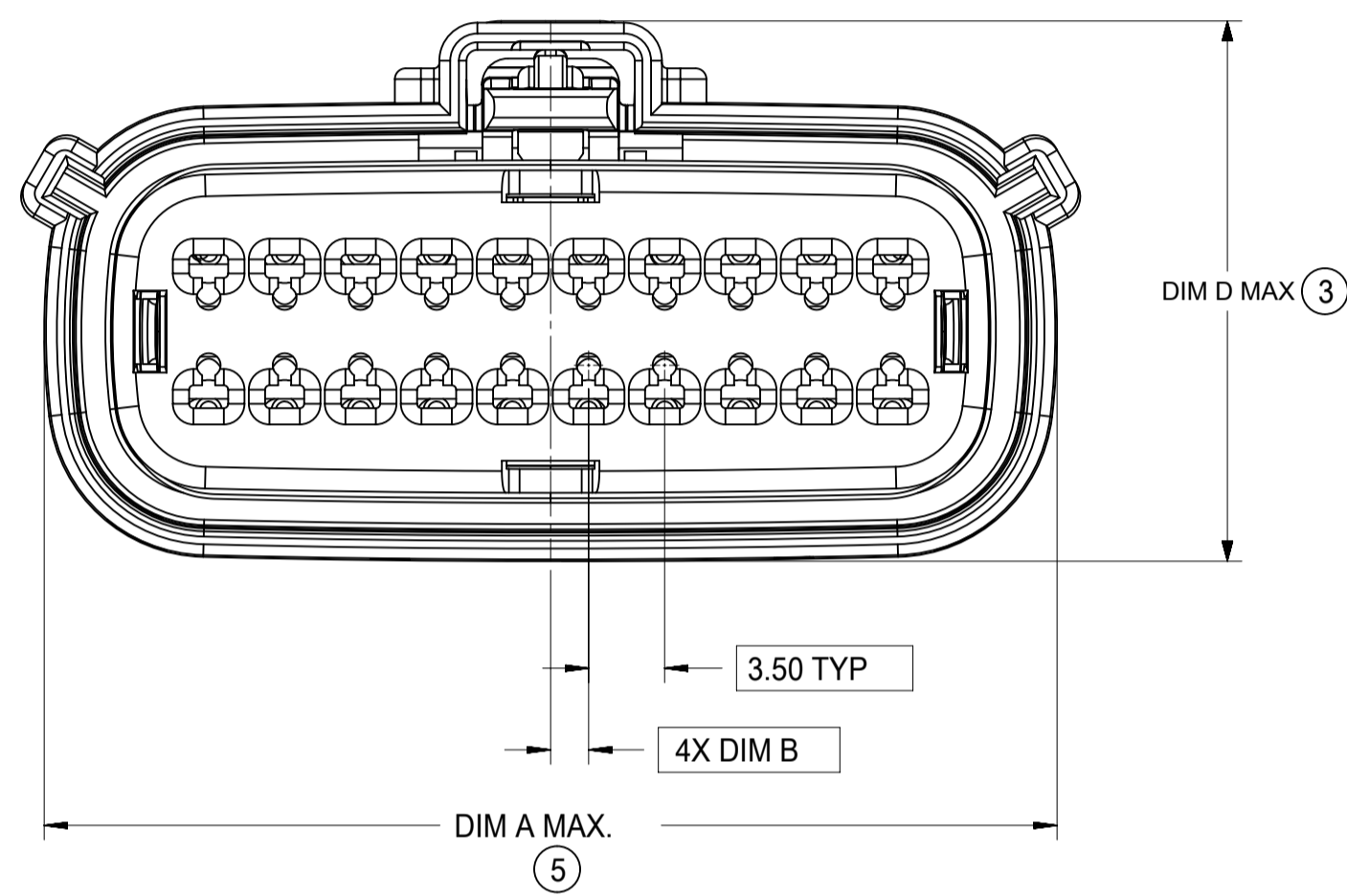
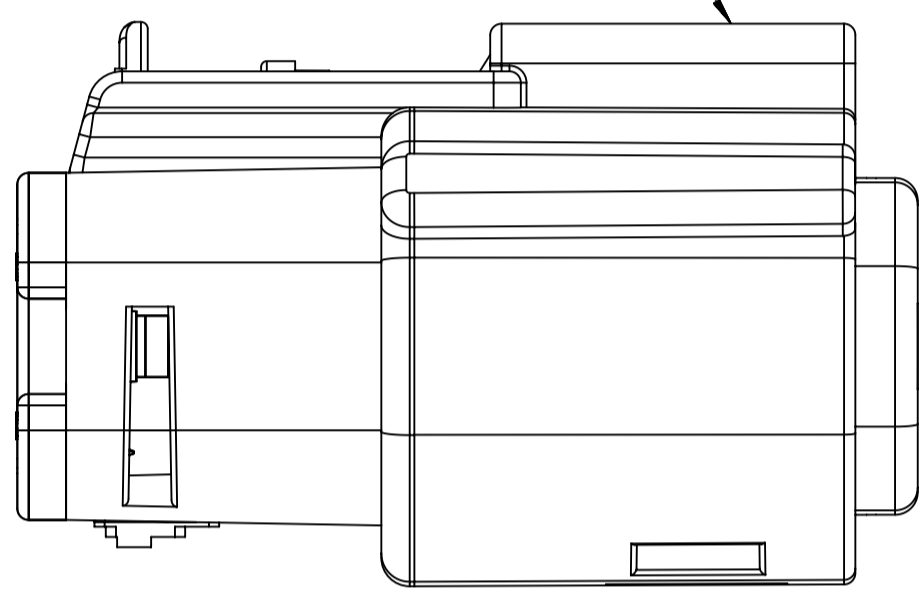
RECEPTACLE CONNECTOR ASSEMBLY



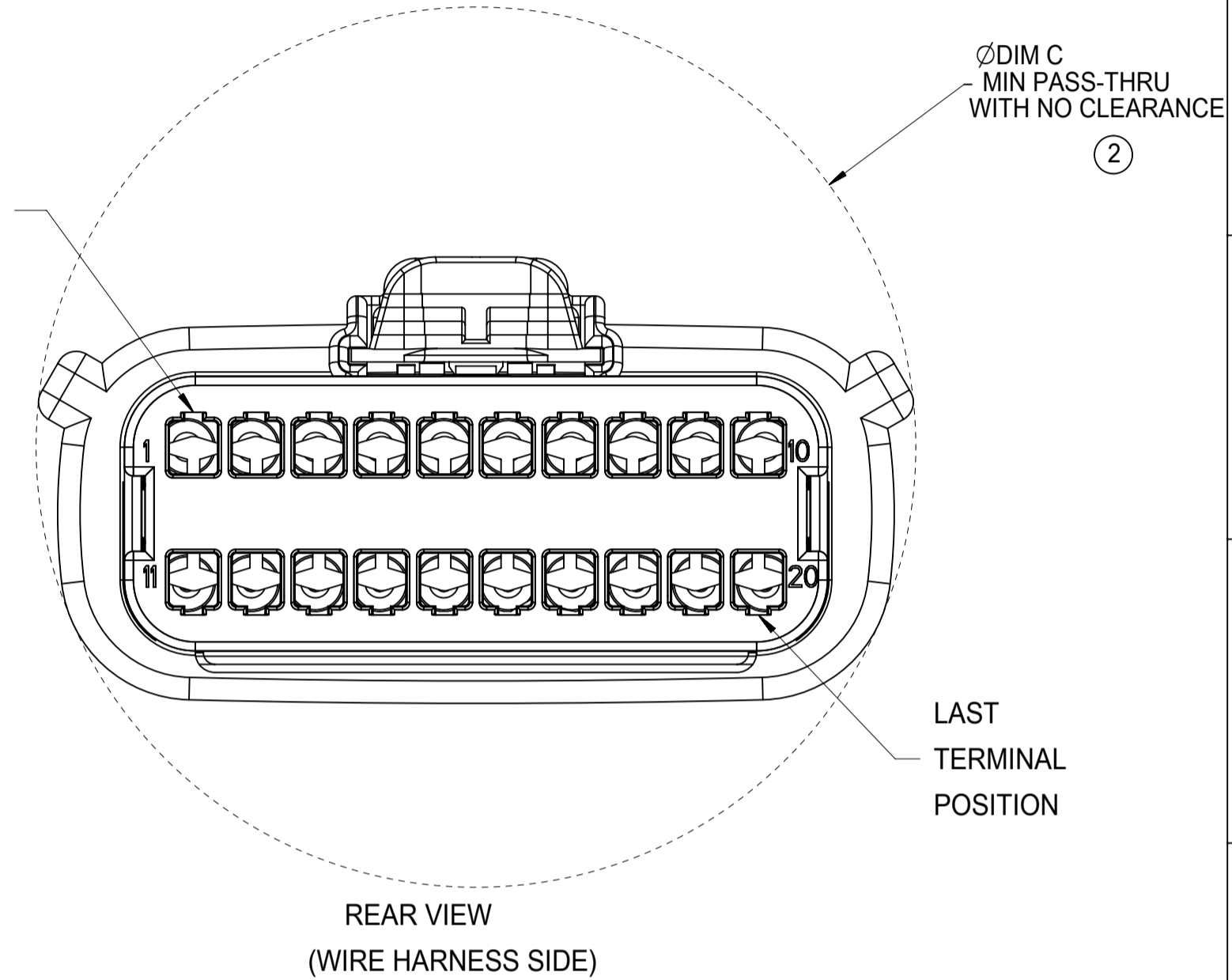
② APPLIES TO 2X2 - STD. - WITH CLIPSLOT ONLY

DESCRIPTION	DIMENSIONS						
	A	B	C	D	E	F	J
2X2 W/O CLIPSLOT	18.58	1.75	25.45	24.81	37.65	N/A	2.75±0.50
2X2 W/ CLIPSLOT	18.58	1.75	27.65	24.81	37.65	N/A	2.75±0.50
2X2 LENGTHENED	18.58	1.75	25.45	24.81	42.25	N/A	2.75±0.50
2X3 W/ CLIPSLOT	22.25	3.5	30.50	N/A	37.65	27.96	4.0±0.4
2X3 W/O CLIPSLOT	22.25	3.5	26.24	24.90	37.65	N/A	4.0±0.4
2X4 W/ CLIPSLOT	25.75	1.75	31.50	N/A	37.65	28.00	2.75±0.50
2X4 W/O CLIPSLOT	25.75	1.75	29.19	24.81	37.65	N/A	2.75±0.50
2X6 W/ CLIPSLOT	32.75	1.75	35.58	N/A	37.65	27.76	2.75±0.50
2X6 W/O CLIPSLOT	32.75	1.75	35.58	24.90	37.65	N/A	2.75±0.50
2X6 W/O CLIPSLOT V0	32.75	1.75	35.58	25.0	37.65	N/A	2.75±0.50
2X8 W/O CLIPSLOT	39.80	1.75	42.25	24.90	37.65	N/A	4.0±0.4
2X8 W/ CLIPSLOT	39.80	1.75	42.25	N/A	37.65	27.80	4.0±0.4
2X10 W/O CLIPSLOT	46.75	1.75	49.95	24.90	37.65	N/A	2.75±0.50
2X10 W/ CLIPSLOT	46.75	1.75	49.95	N/A	37.65	27.80	2.75±0.50

LASER MARKING ON THIS SURFACE  
SEE NOTE 3g.



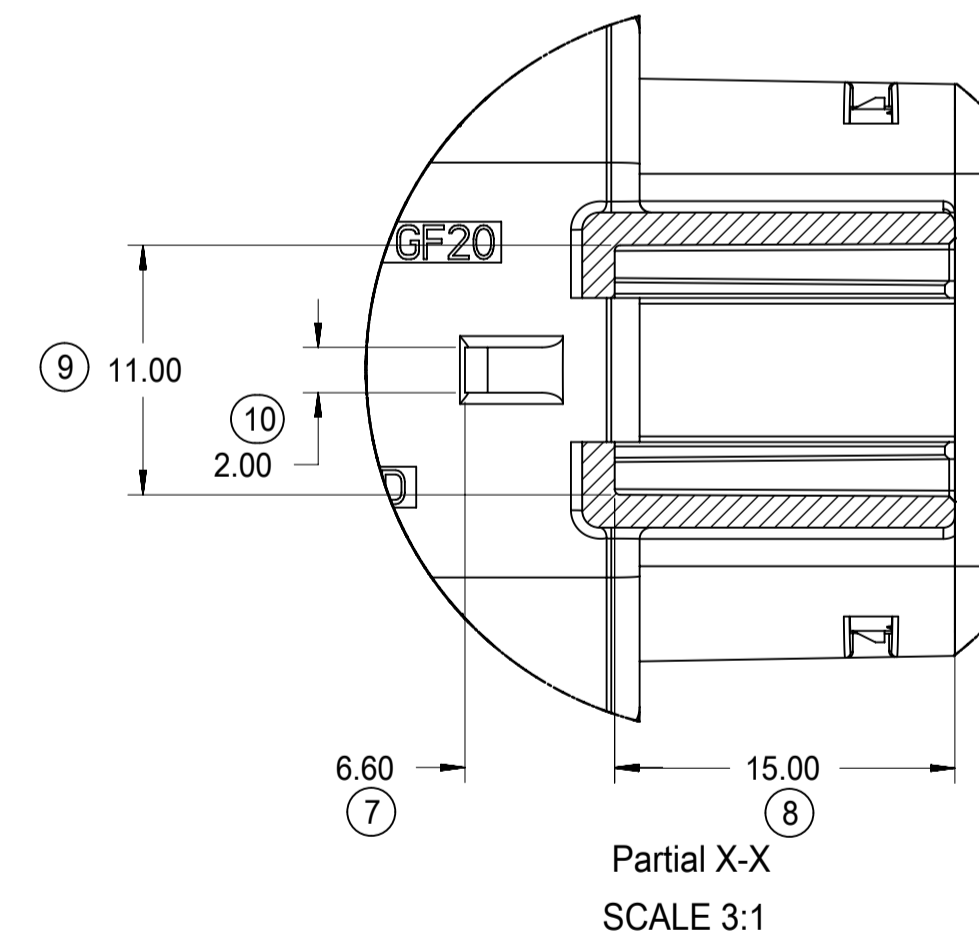
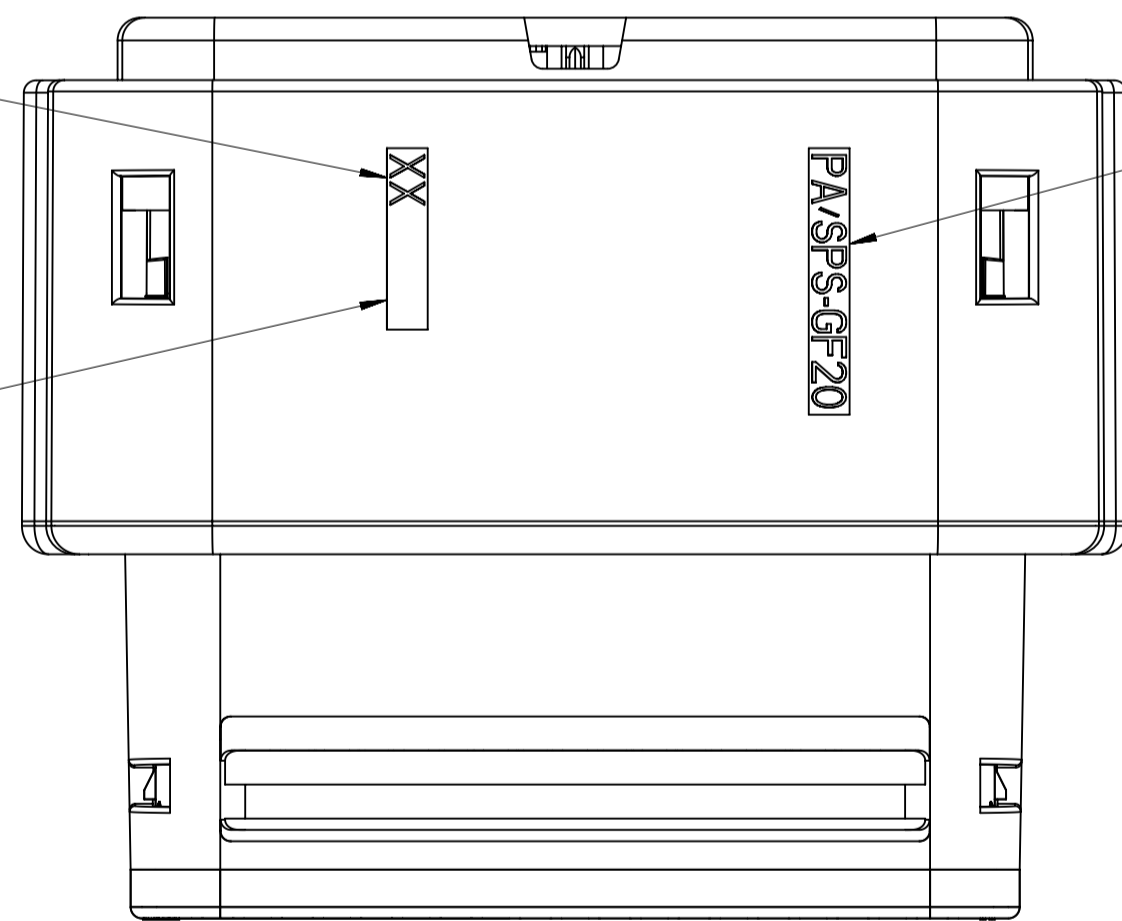
TERMINAL POSITION 1



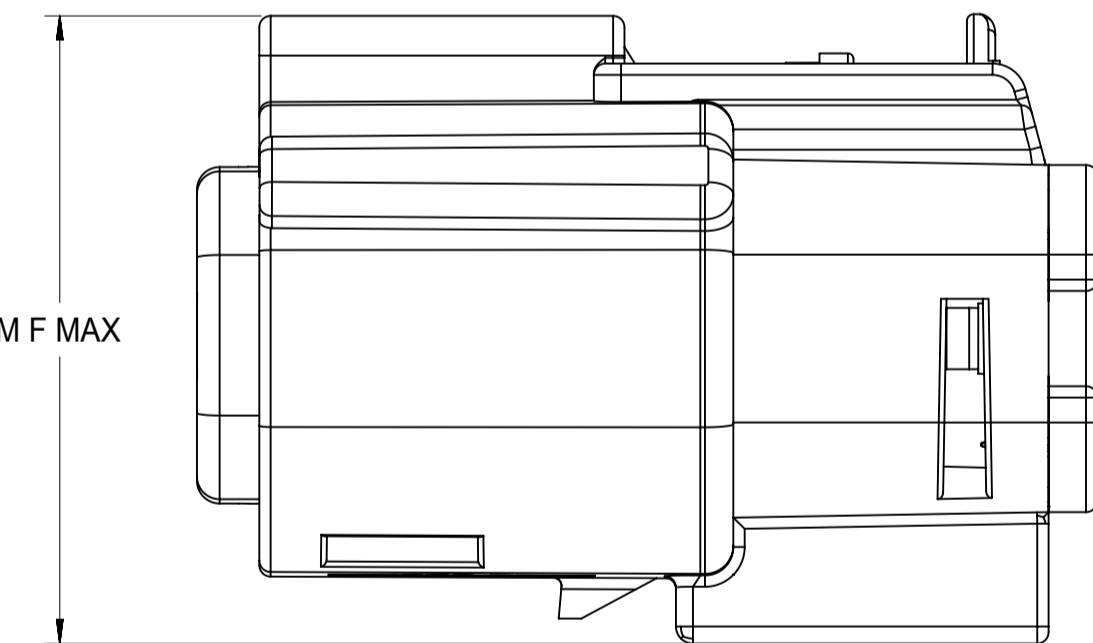
MOLD CAVITY I.D.  
THIS LOCATION

MANUFACTURING LOCATION  
CODE THIS LOCATION

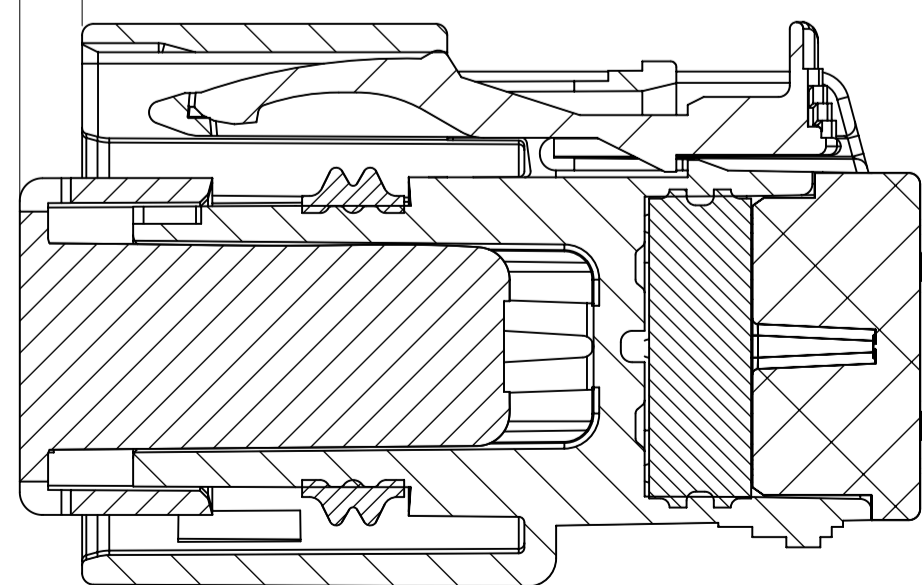
RECYCLE CODE  
THIS LOCATION



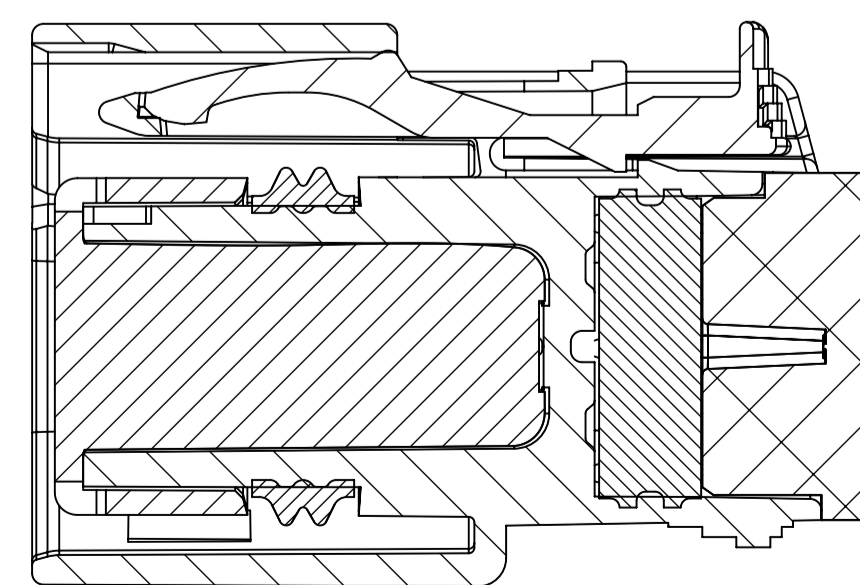
④ DIM F MAX



DIM G  
⑥



SECTION Y-Y



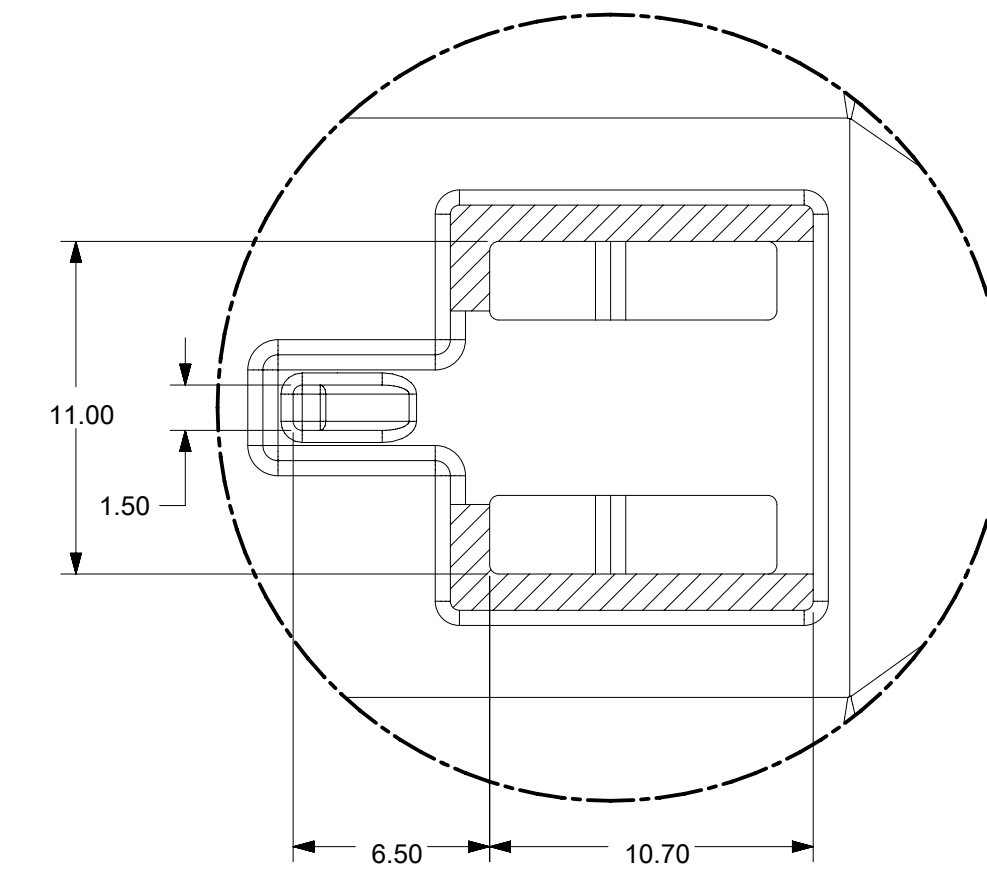
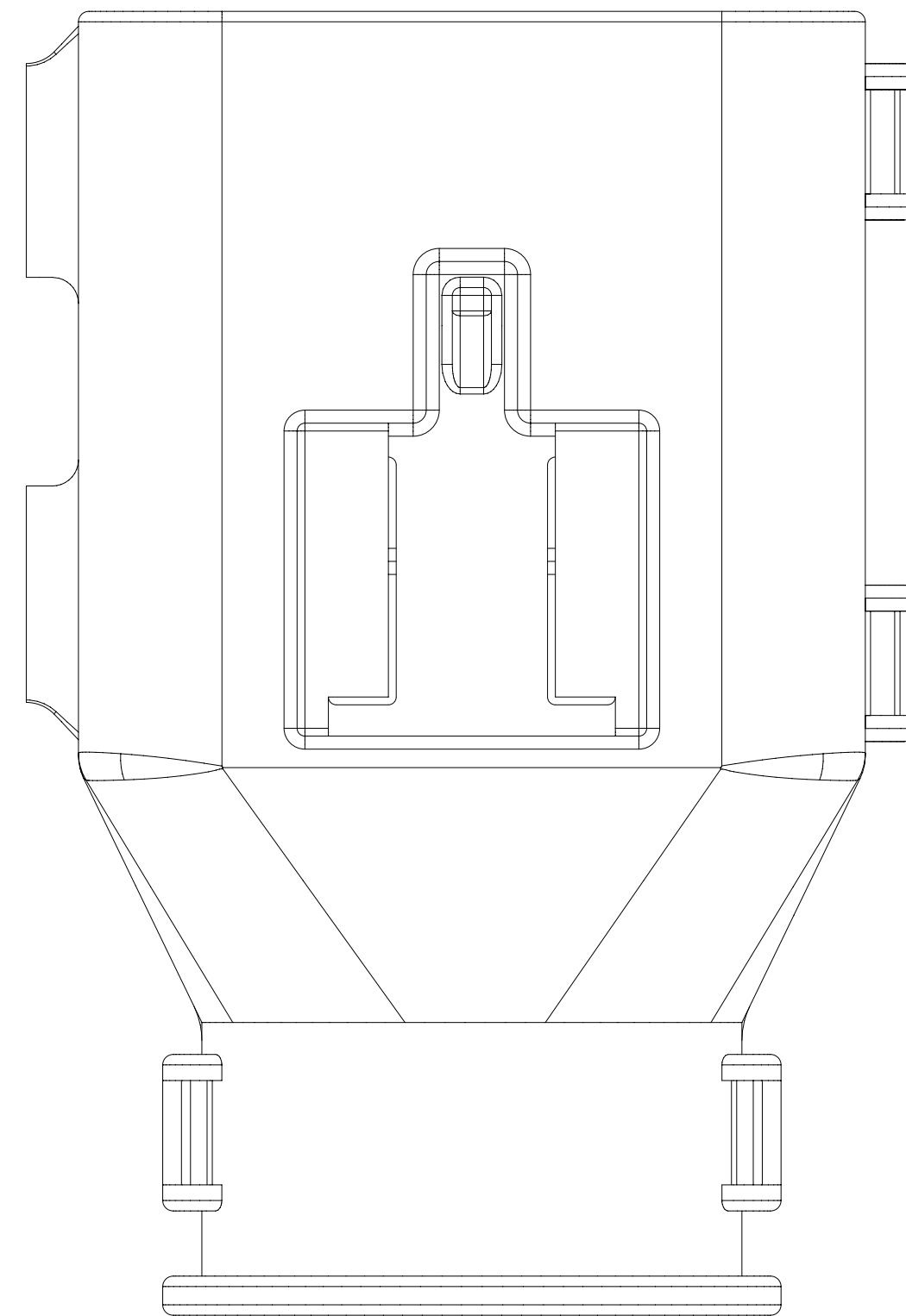
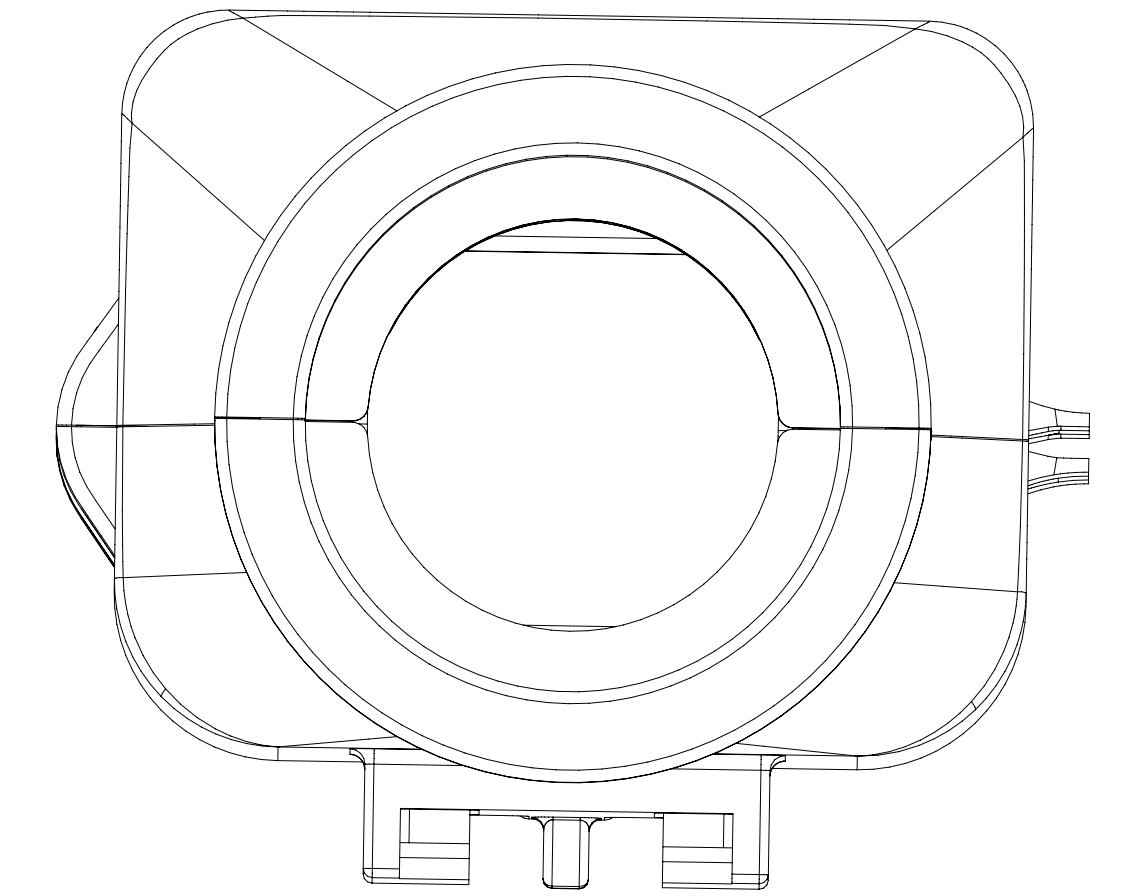
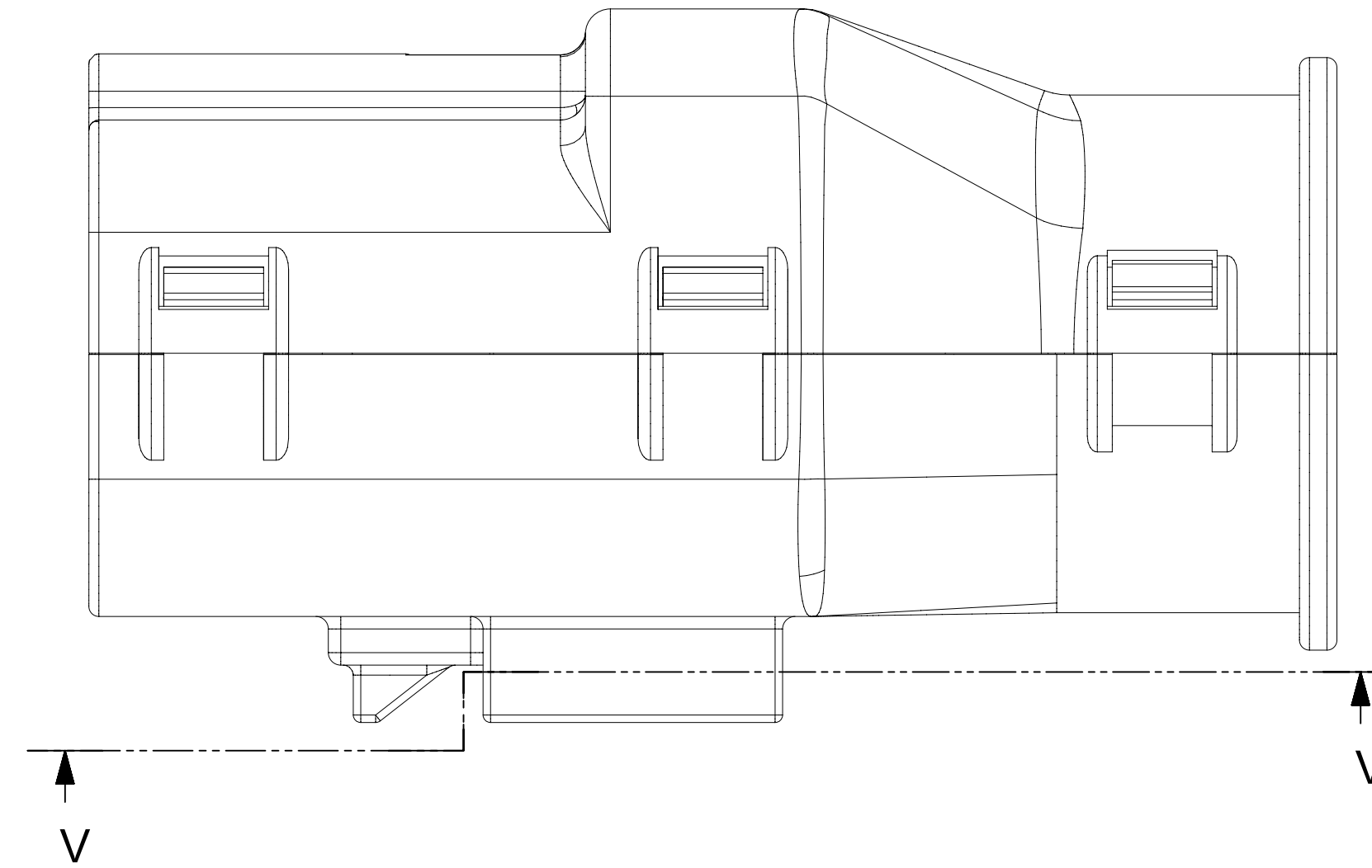
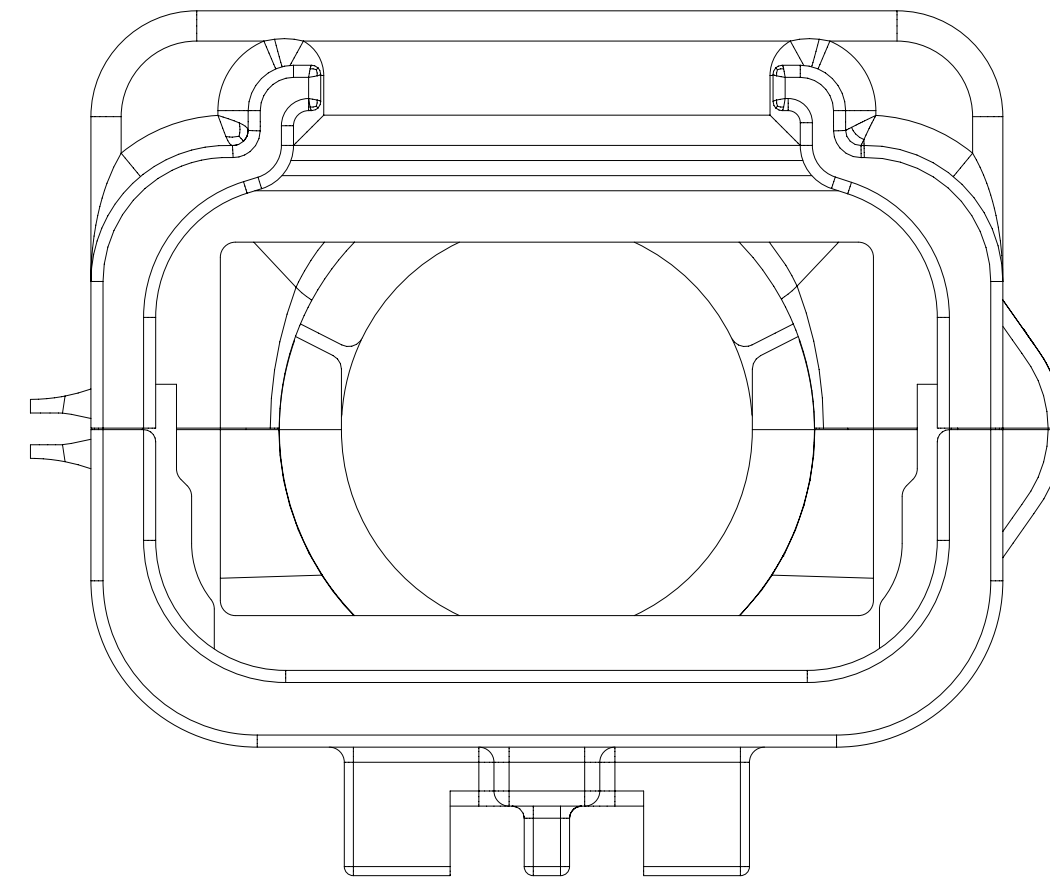
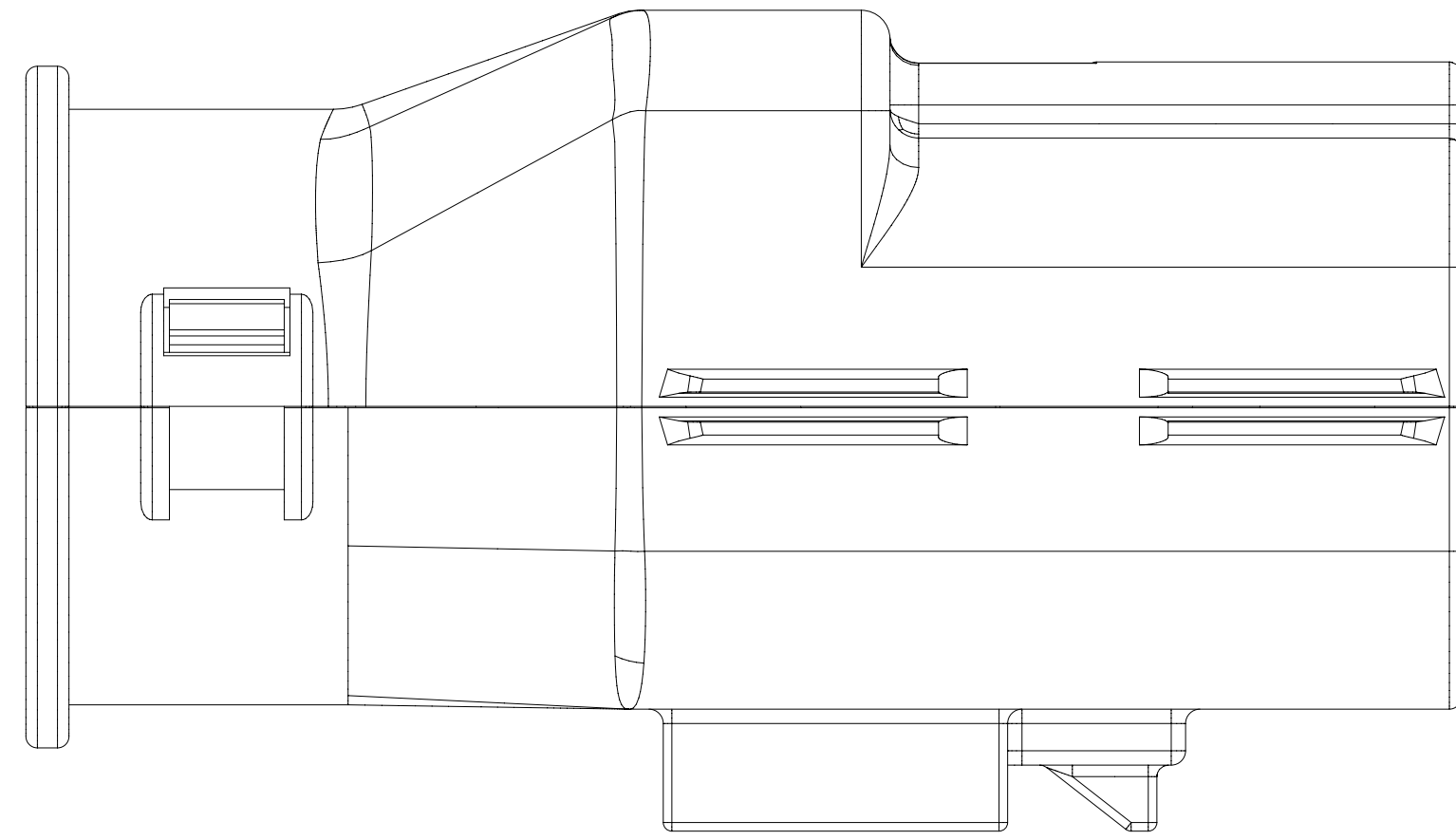
SECTION Z-Z

SYMBOLS		THIS DRAWING CONTAINS INFORMATION THAT IS PROPRIETARY TO MOLEX ELECTRONIC TECHNOLOGIES, LLC AND SHOULD NOT BE USED WITHOUT WRITTEN PERMISSION		CURRENT REV DESC:		molex	
▽ = 0	mm	DIMENSION UNITS	SCALE	EC NO: 171650		MX150 RCPT	
▽ = 0	1:1	GENERAL TOLERANCES (UNLESS SPECIFIED)		DRWN: DDEB 2018/01/19		DUAL ROW SEALED ASSEMBLY MAT SEAL	
▽ = 0	± 1.0°	ANGULAR TOL		CHK'D: MVANSLAMBROU 2018/02/16		PRODUCT CUSTOMER DRAWING	
▽ = 0	±	4 PLACES		APPR: MVANSLAMBROU 2018/02/16		DOCUMENT NUMBER	
▽ = 0	± 0.1	3 PLACES		INITIAL REVISION:		DOC TYPE   DOC PART   REVISION	
▽ = 0	± 0.2	2 PLACES		DRWN: APROFFITT 2014/05/14		SD-33472-0001	
▽ = 0	±	1 PLACE		APPR: VKOSHY 2014/06/27		PSD 001 C2	
▽ = 0		0 PLACES		DRAFT WHERE APPLICABLE MUST REMAIN WITHIN DIMENSIONS		MATERIAL NUMBER	
▽ = 0				THIRD ANGLE PROJECTION		CUSTOMER	
				DRAWING		GENERAL MARKET	
				SERIES		SHEET NUMBER	
				A1-SIZE 33472		5 OF 11	





**SHEET DESCRIPTION**  
SCHLEMMER BACKSHELL



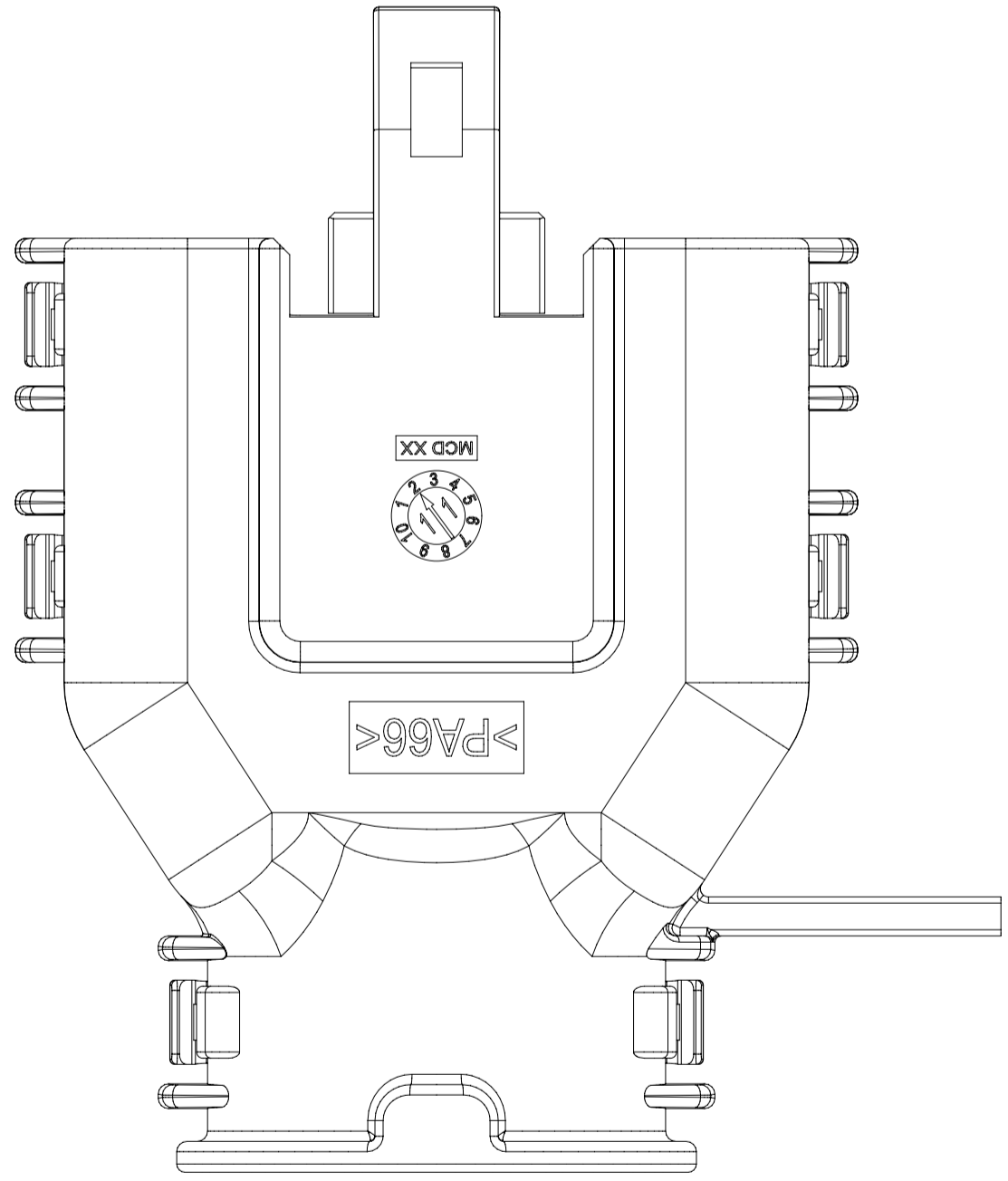
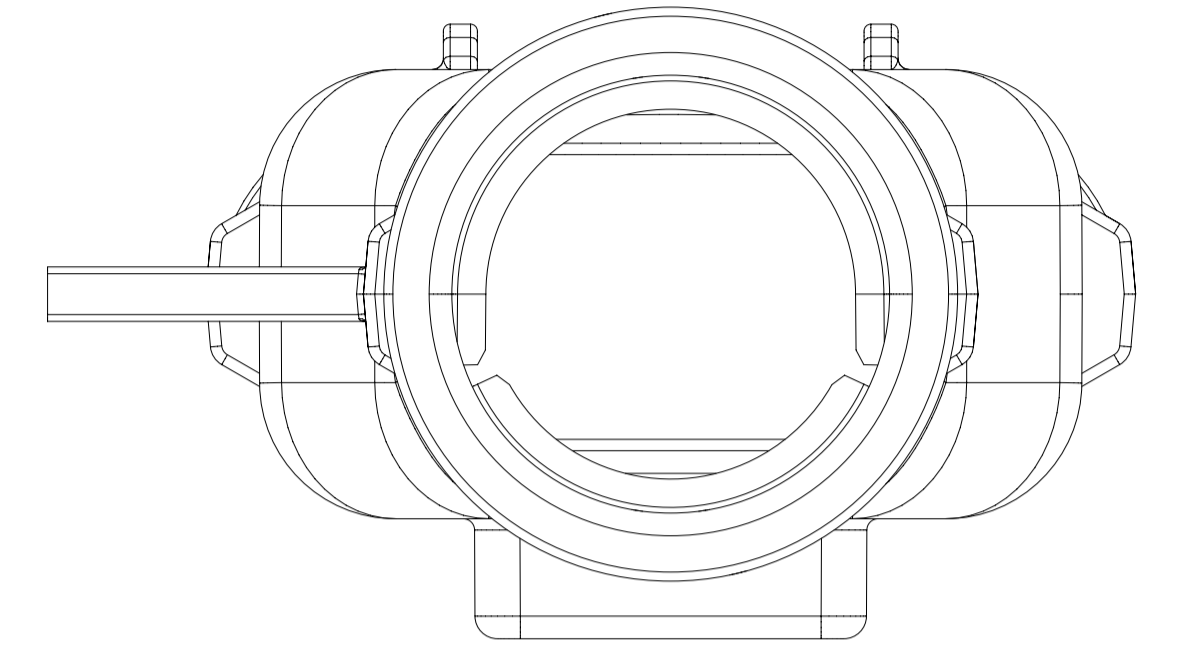
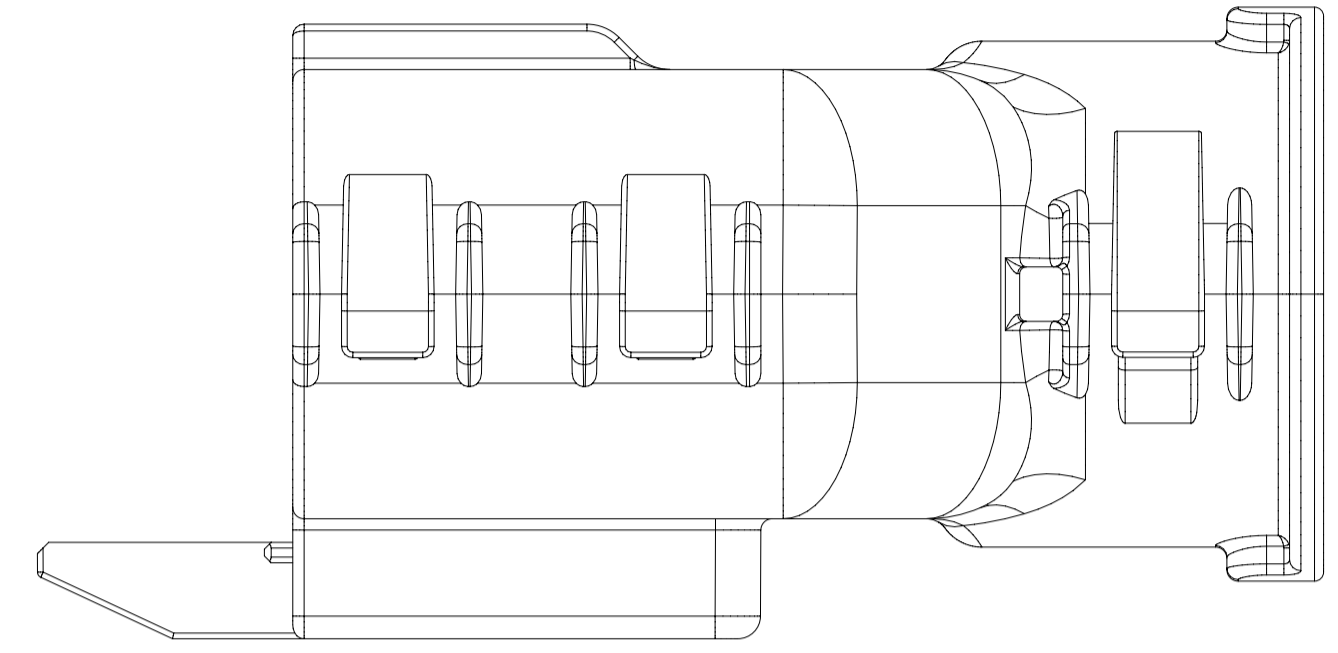
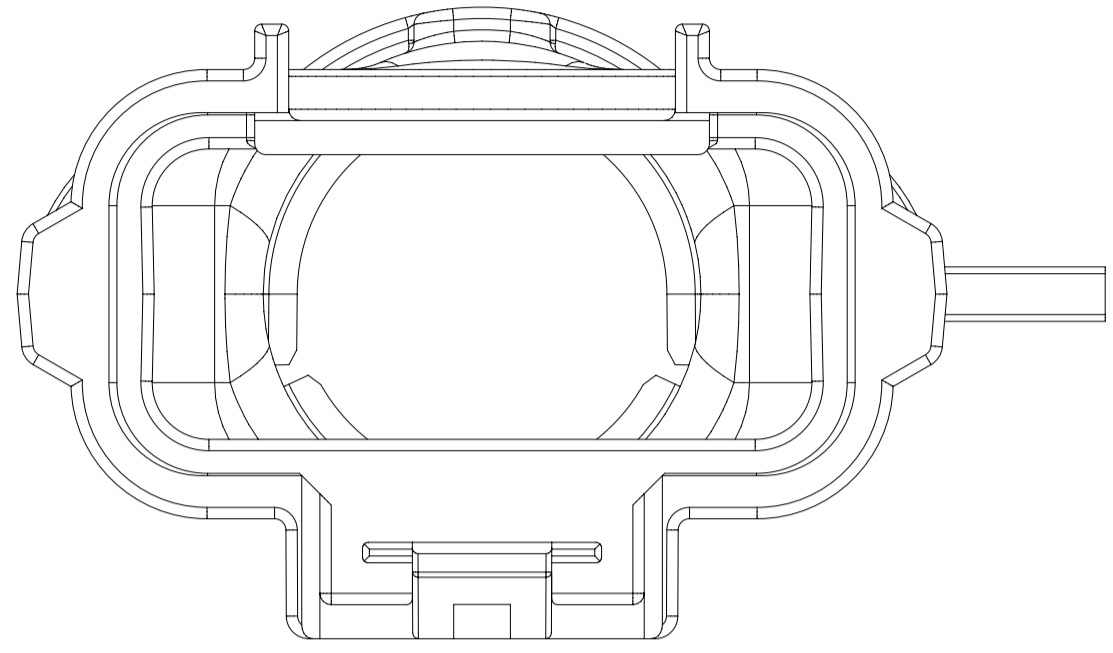
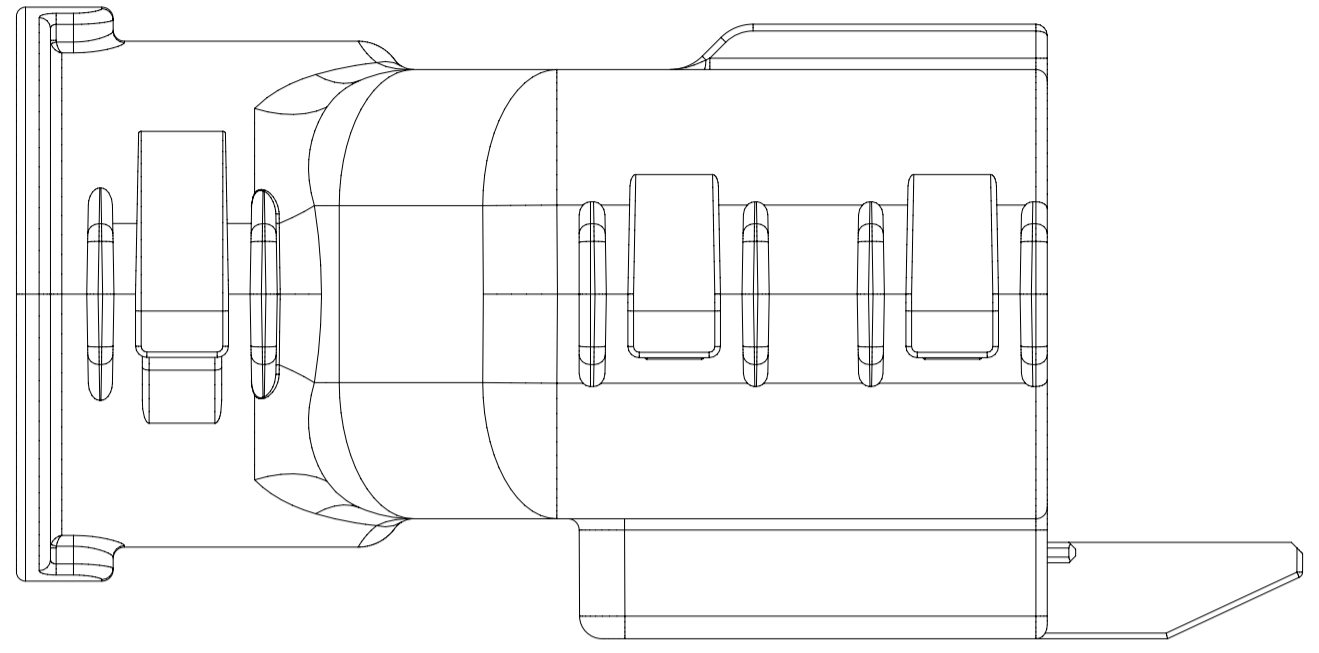
Partial V-V  
SCALE 4:1

SYMBOLS		THIS DRAWING CONTAINS INFORMATION THAT IS PROPRIETARY TO MOLEX ELECTRONIC TECHNOLOGIES, LLC AND SHOULD NOT BE USED WITHOUT WRITTEN PERMISSION		CURRENT REV DESC:					
DIMENSION UNITS	SCALE	GENERAL TOLERANCES (UNLESS SPECIFIED)		EC NO: 171650					
= 0	mm	4:1		DRWN: DDEB 2018/01/19		MX150 RCPT DUAL ROW SEALED ASSEMBLY MAT SEAL			
= 0	ANGULAR TOL ± 1.0°		CHK'D: MVANSLAMBROU 2018/02/16						
= 0	4 PLACES ±		APPR: MVANSLAMBROU 2018/02/16						
= 0	3 PLACES ±		INITIAL REVISION:		DOCUMENT NUMBER		DOC TYPE	DOC PART	REVISION
= 0	2 PLACES ± 0.1		DRWN: APROFFITT 2014/05/14		SD-33472-0001		PSD	001	C2
= 0	1 PLACE ± 0.2		APPR: VKOSHY 2014/06/27		MATERIAL NUMBER		CUSTOMER		SHEET NUMBER
= 0	0 PLACES ±		DRAFT WHERE APPLICABLE MUST REMAIN WITHIN DIMENSIONS		A1-SIZE 33472		GENERAL MARKET		7 OF 11



18 17 16 15 14 13 12 11 10 9 8 7 6 5 4 3 2 1

**SHEET DESCRIPTION**  
MOLEX BACKSHELL



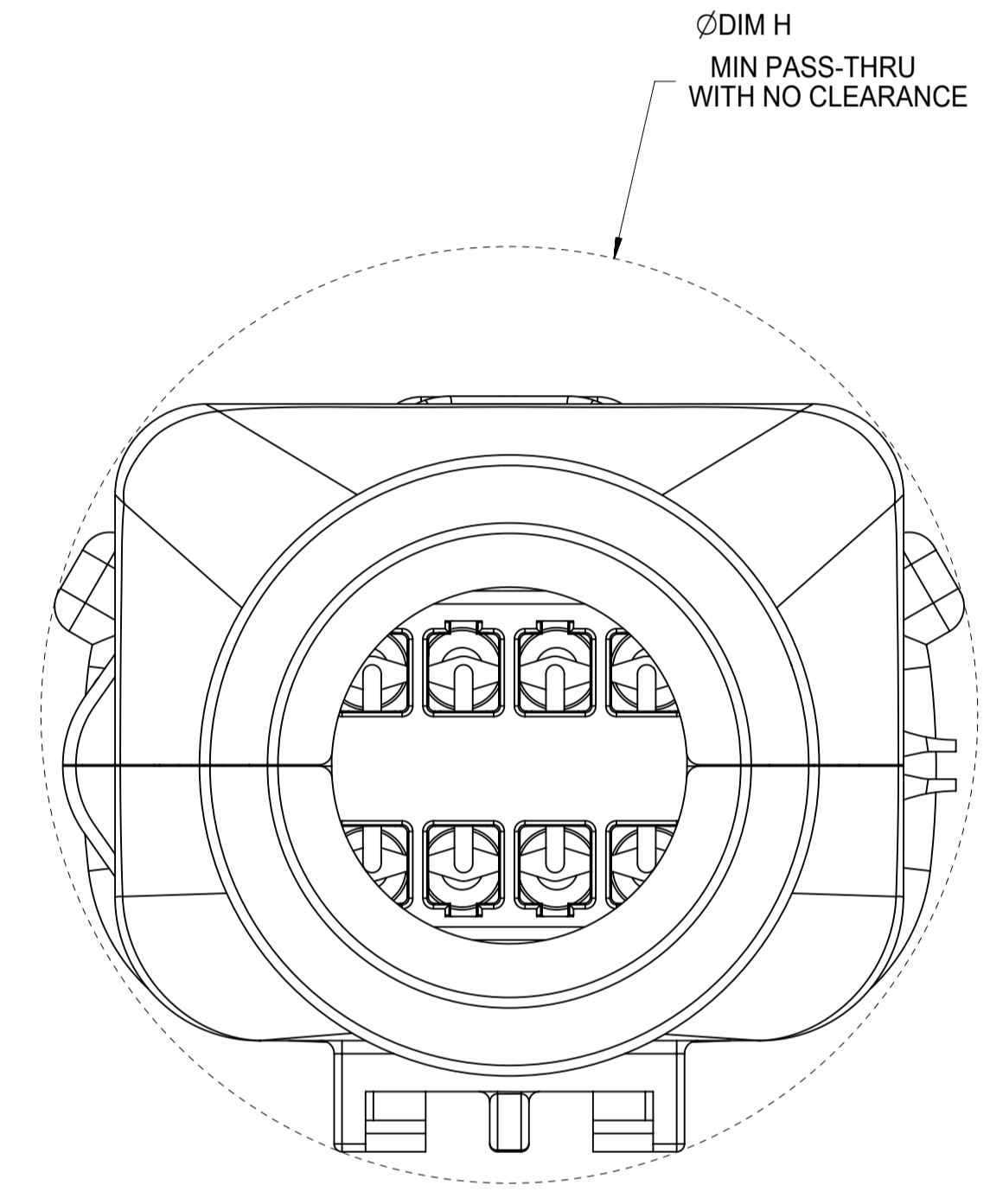
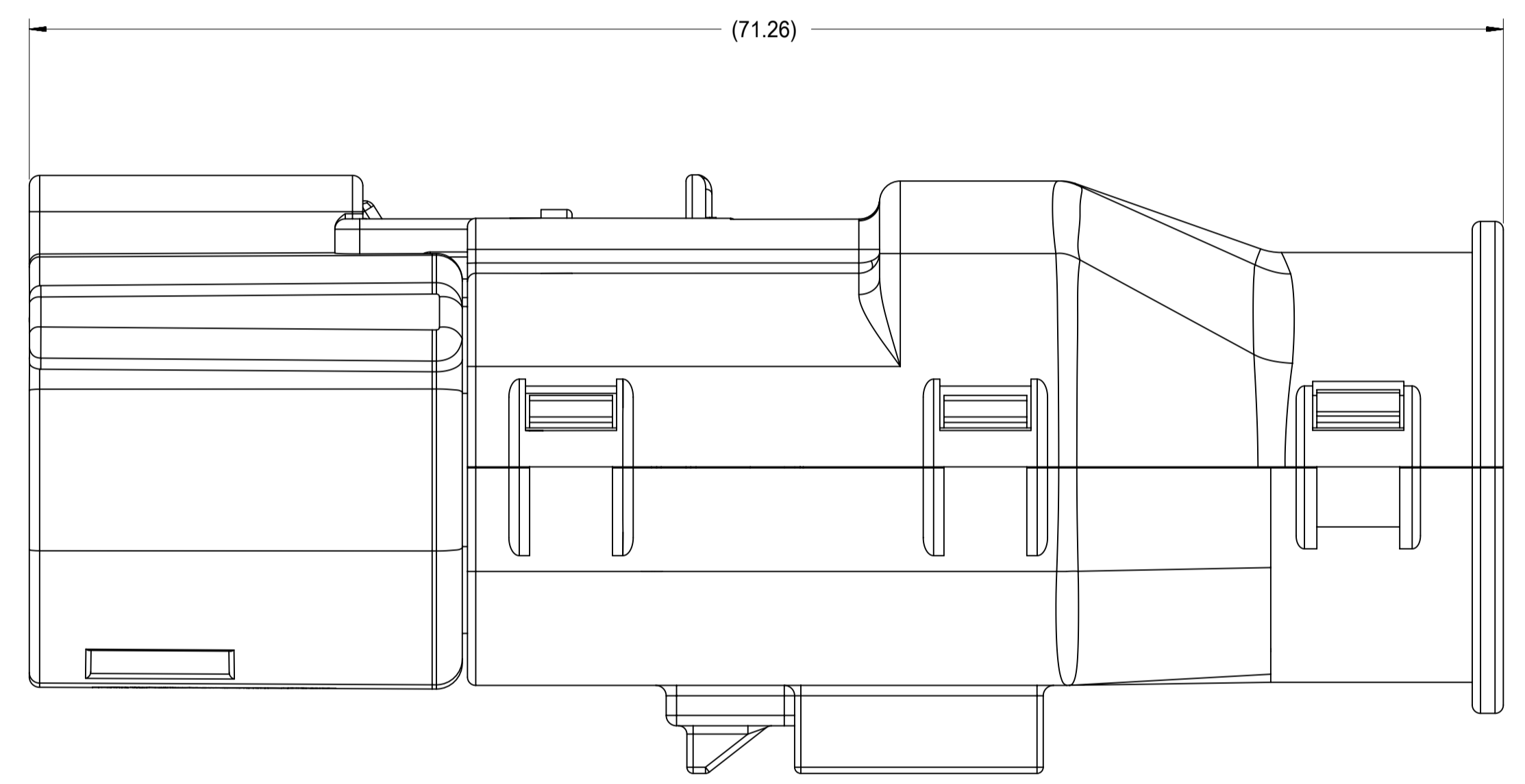
SYMBOLS	THIS DRAWING CONTAINS INFORMATION THAT IS PROPRIETARY TO MOLEX ELECTRONIC TECHNOLOGIES, LLC AND SHOULD NOT BE USED WITHOUT WRITTEN PERMISSION		CURRENT REV DESC:					
	DIMENSION UNITS	SCALE						EC NO: 171650
▽ = 0	mm	3:1	GENERAL TOLERANCES (UNLESS SPECIFIED)		CHK'D: MVANSLAMBROU	2018/02/16	PRODUCT CUSTOMER DRAWING	
▽ = 0	ANGULAR TOL ± 1.0°		4 PLACES ±		APPR: MVANSLAMBROU	2018/02/16	DOCUMENT NUMBER	
▽ = 0	3 PLACES ±		2 PLACES ± 0.1		INITIAL REVISION:		SD-33472-0001	DOC TYPE
▽ = 0	2 PLACES ± 0.2		1 PLACE ± 0.2		DRWN: APROFFITT	2014/05/14	PSD	DOC PART
▽ = 0	0 PLACES ±		0 PLACES ±		APPR: VKOSHY	2014/06/27	001	REVISION
▽ = 0	DRAFT WHERE APPLICABLE MUST REMAIN WITHIN DIMENSIONS		THIRD ANGLE PROJECTION	DRAWING	SERIES		C2	
▽ = 0				A1-SIZE	33472	MATERIAL NUMBER		CUSTOMER
					GENERAL MARKET		SHEET NUMBER	
					8 OF 11			

DOCUMENT STATUS	P1	RELEASE DATE	2018/02/16	22:02:25
-----------------	----	--------------	------------	----------

18 17 16 15 14 13 12 11 10 9 8 7 6 5 4 3 2 1

SHEET DESCRIPTION	
SCHLEMMER BACKSHELL CONFIGURATIONS	

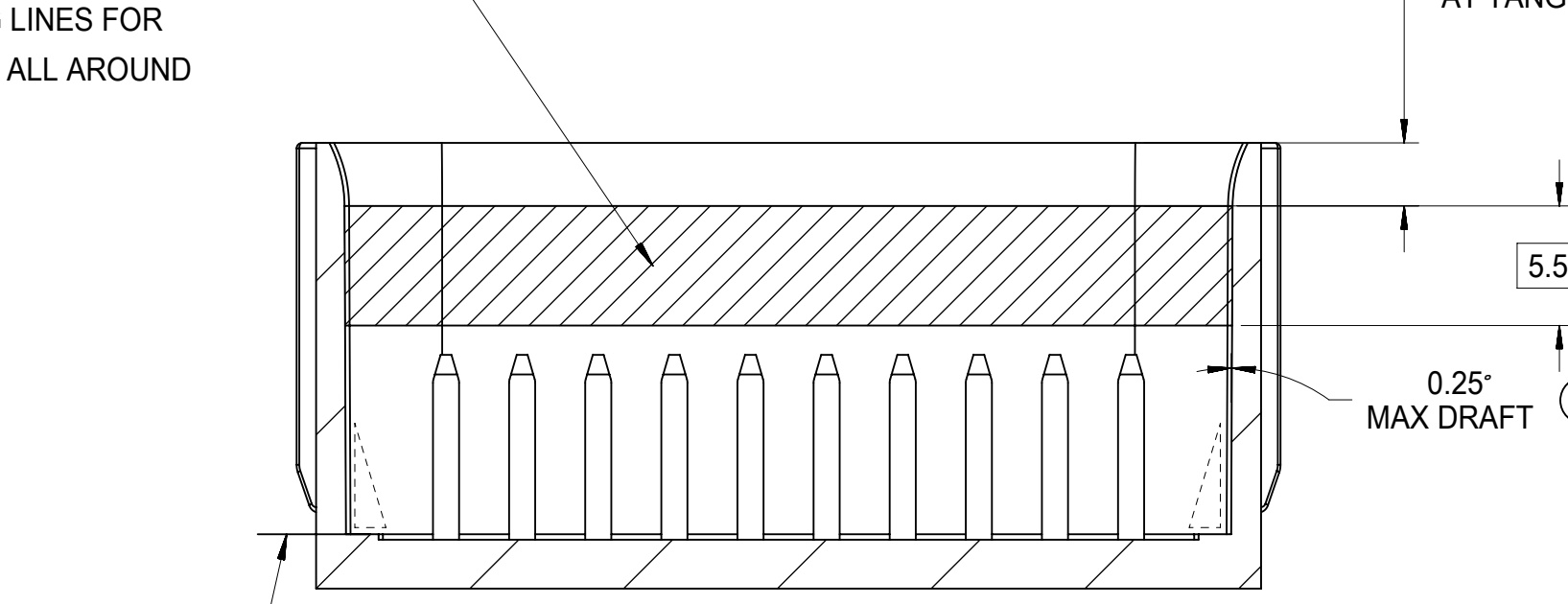
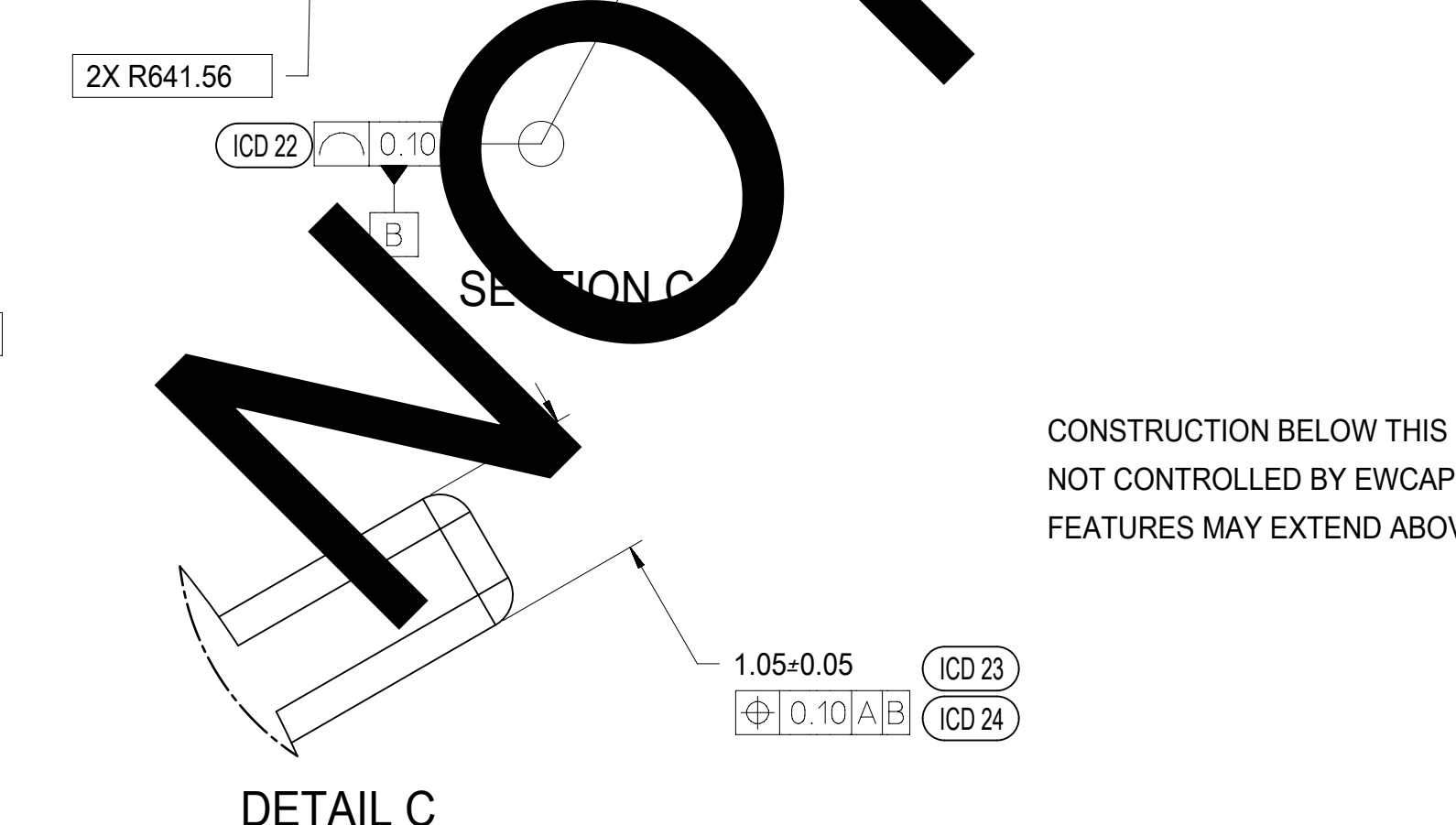
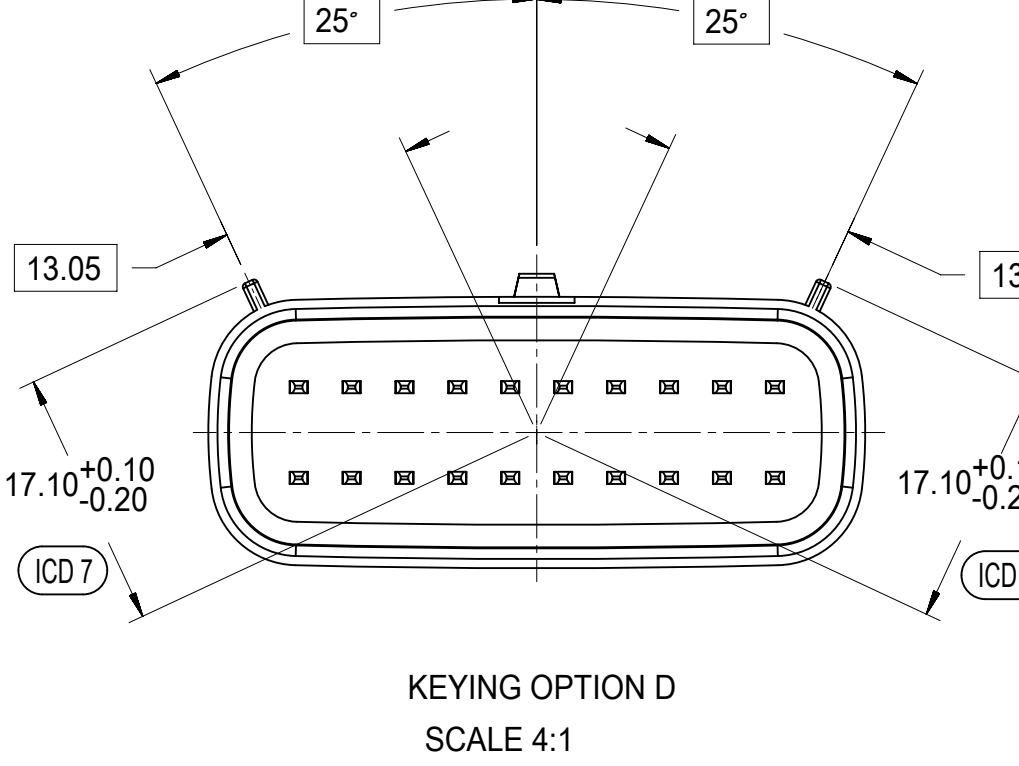
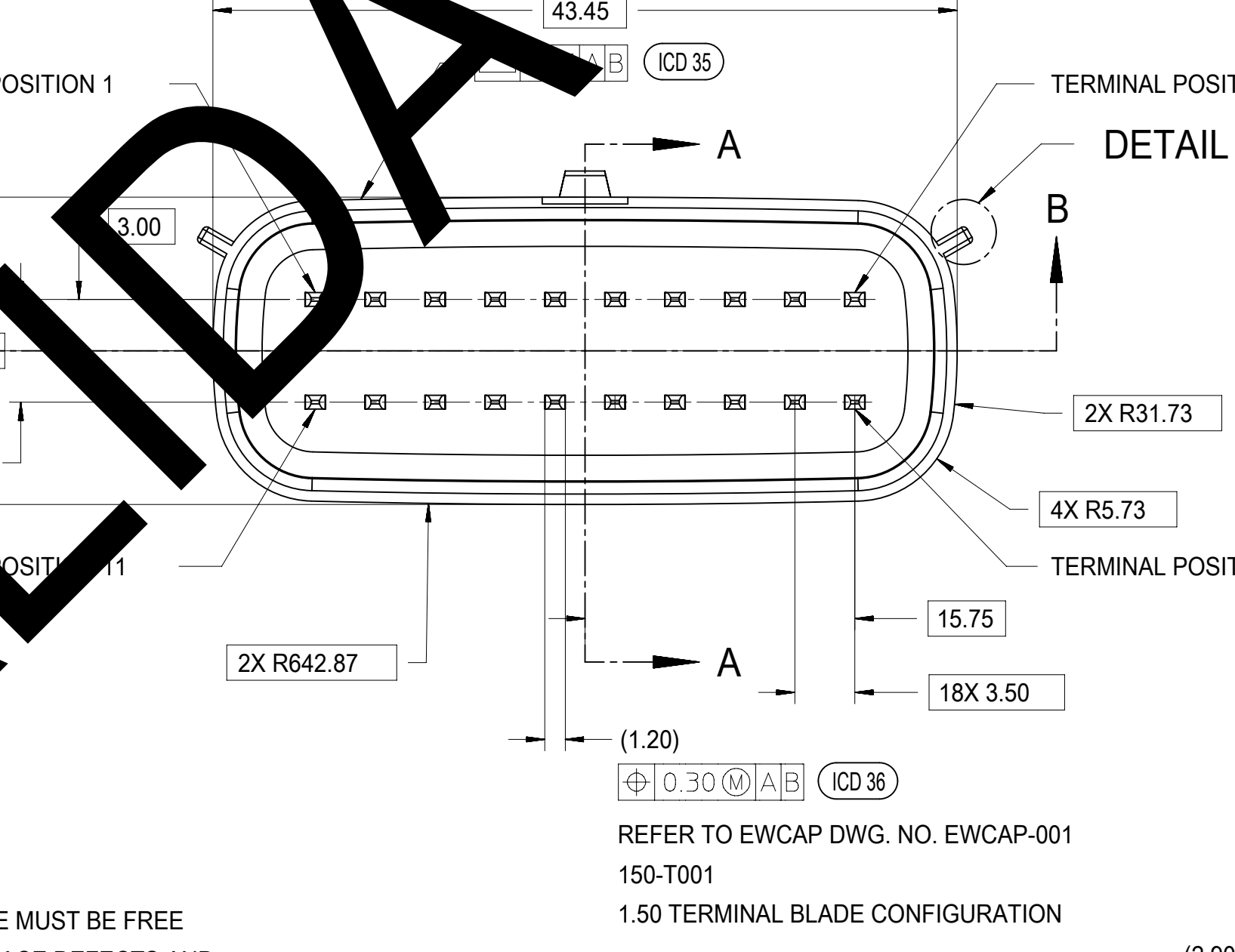
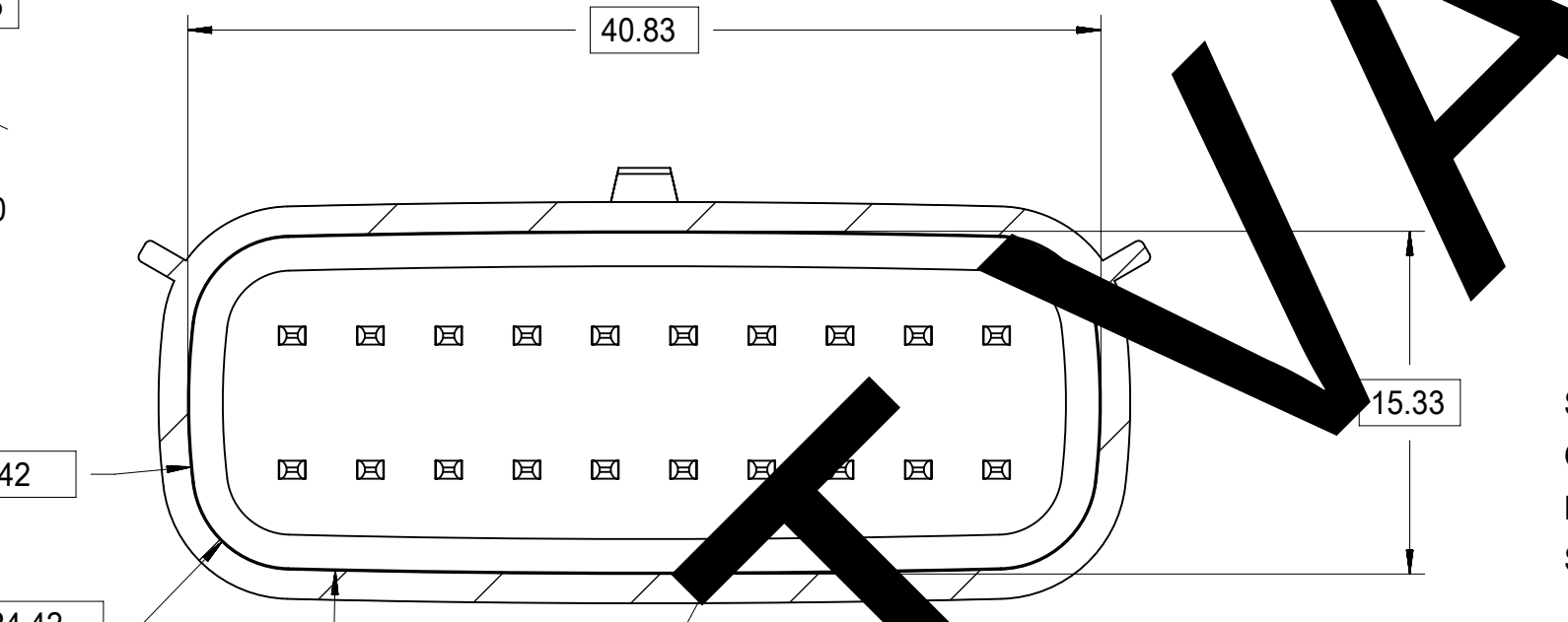
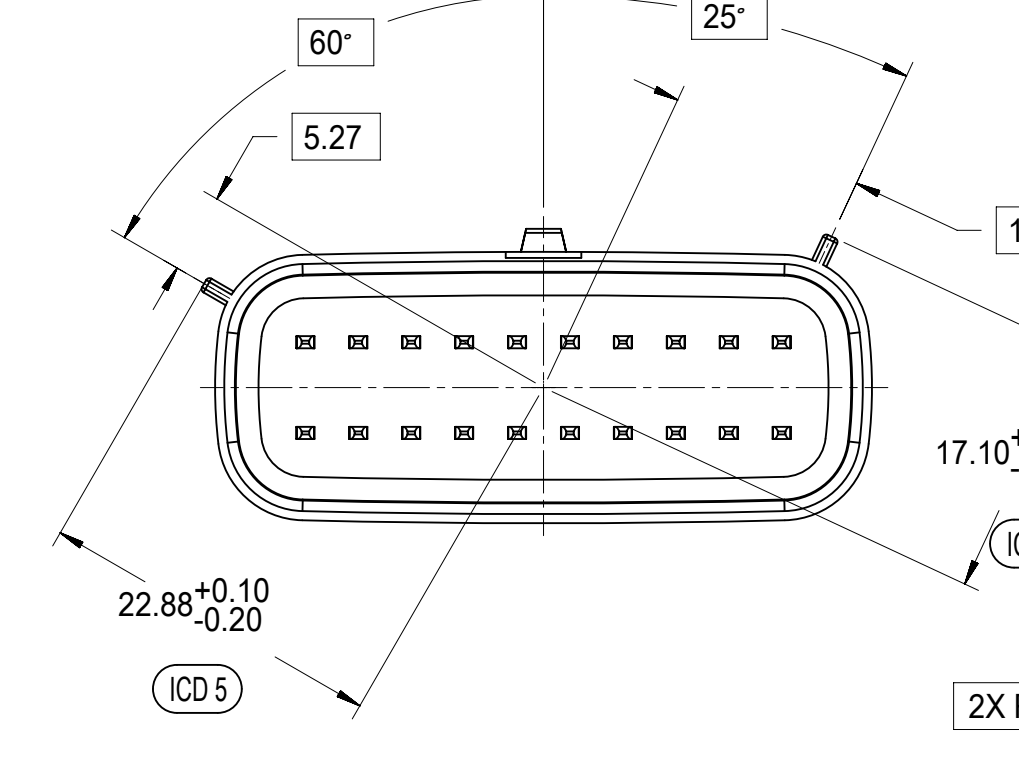
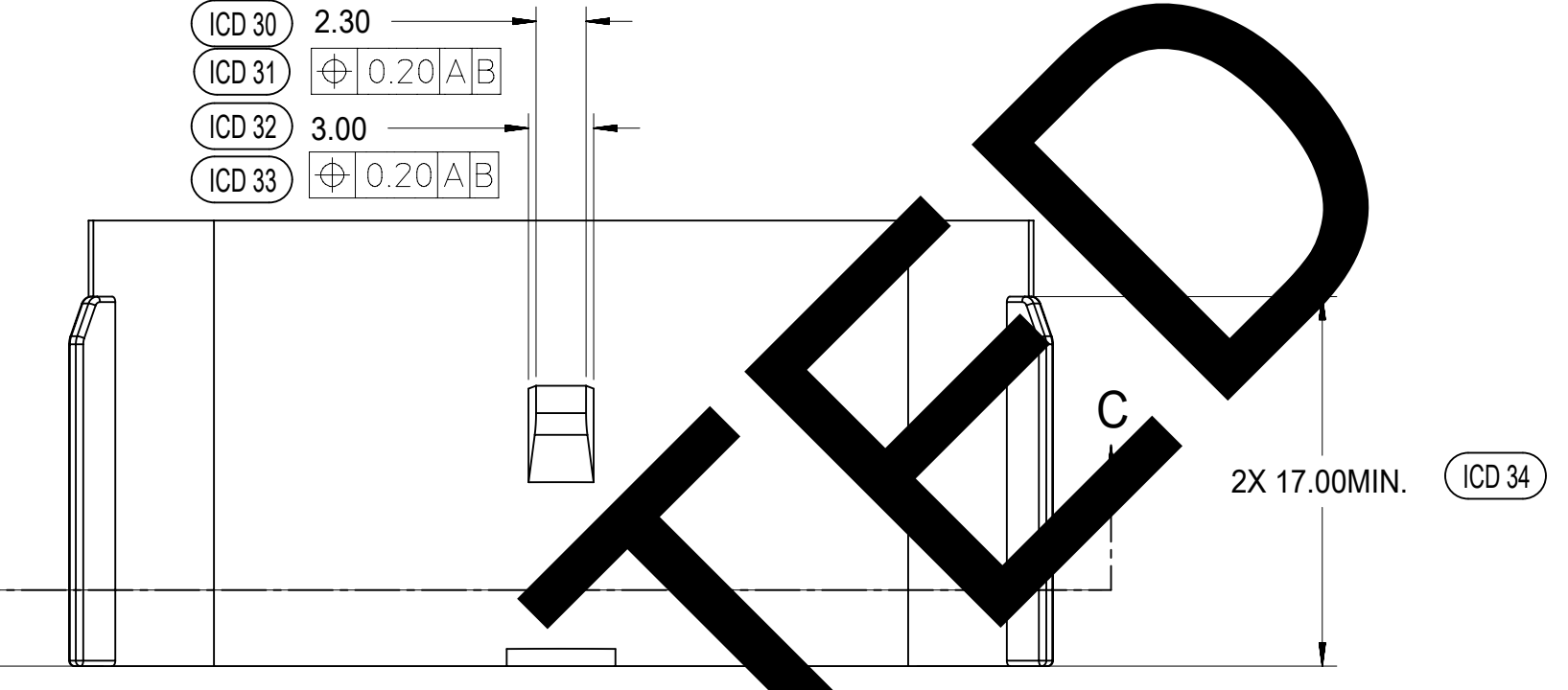
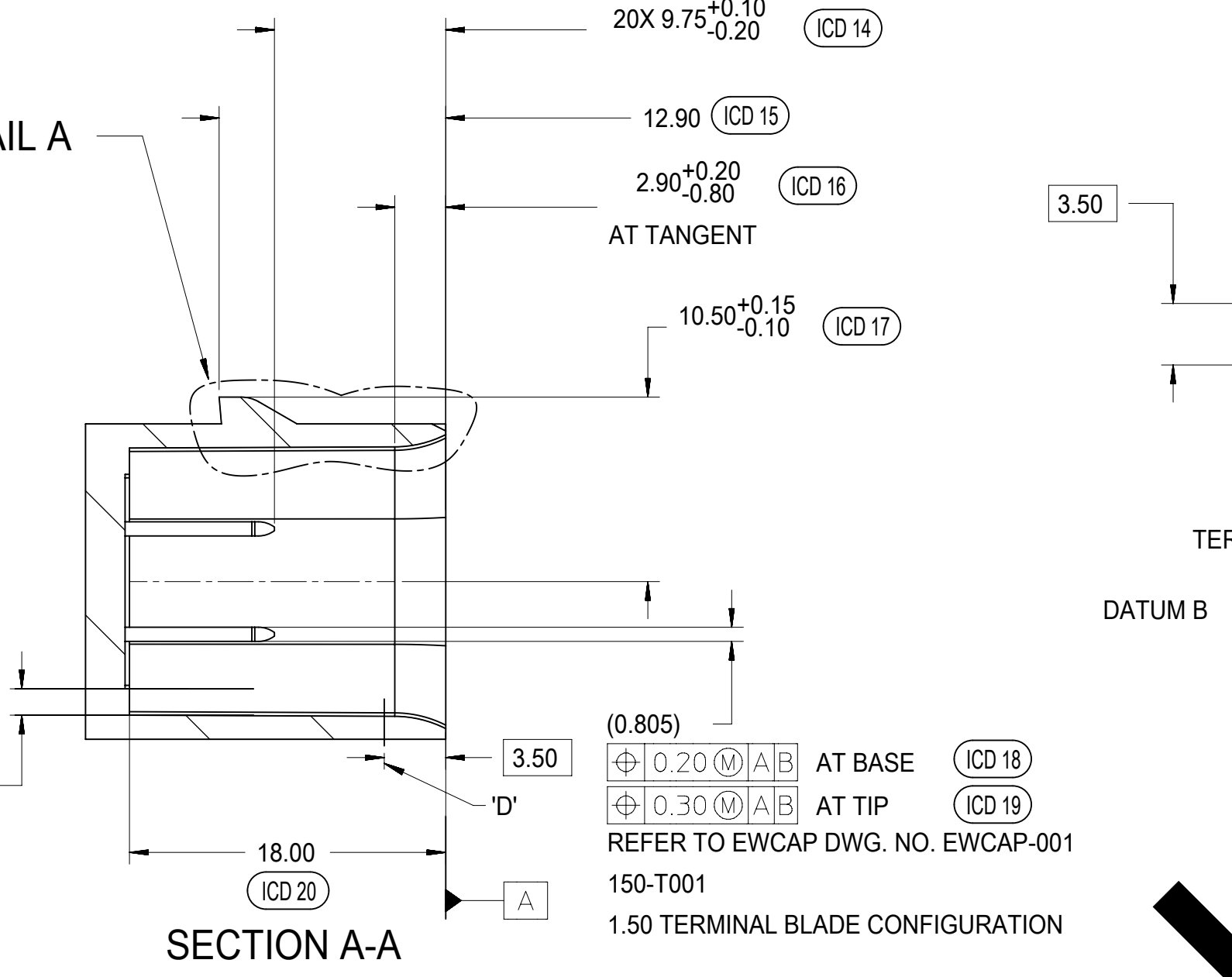
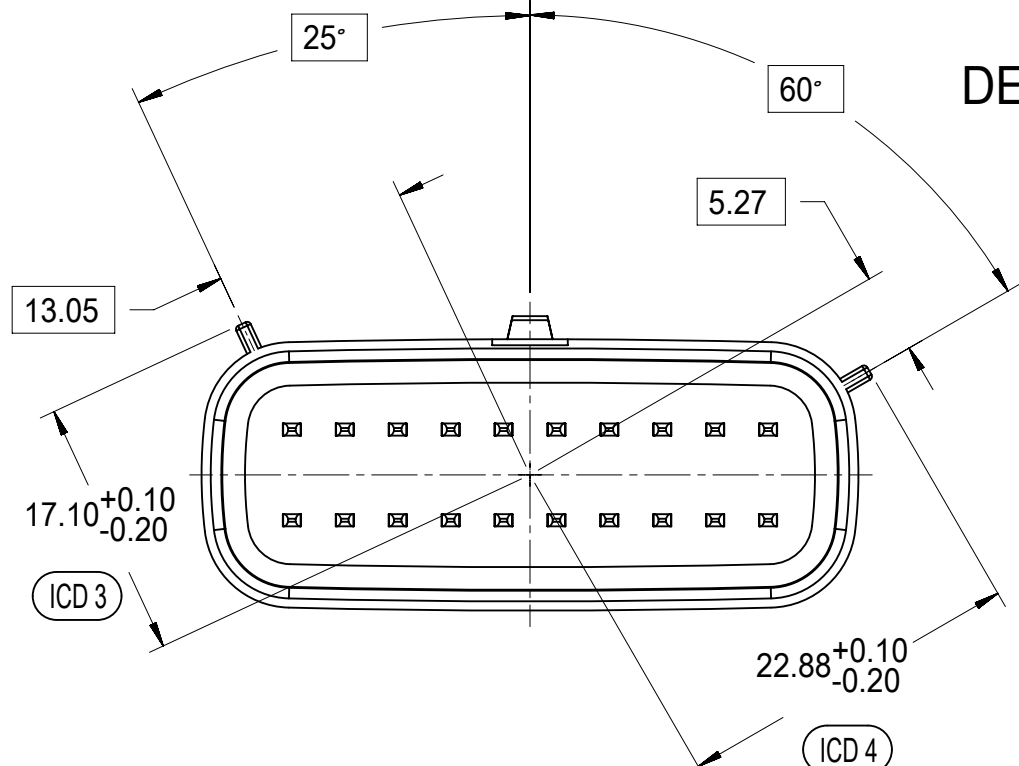
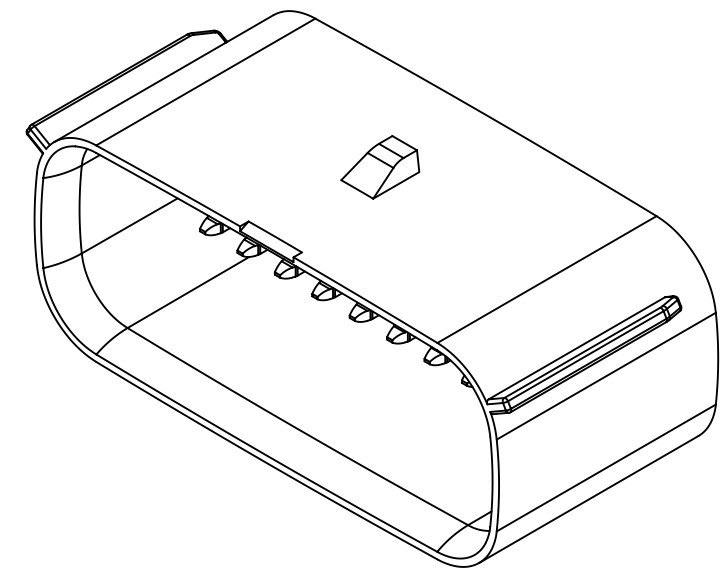
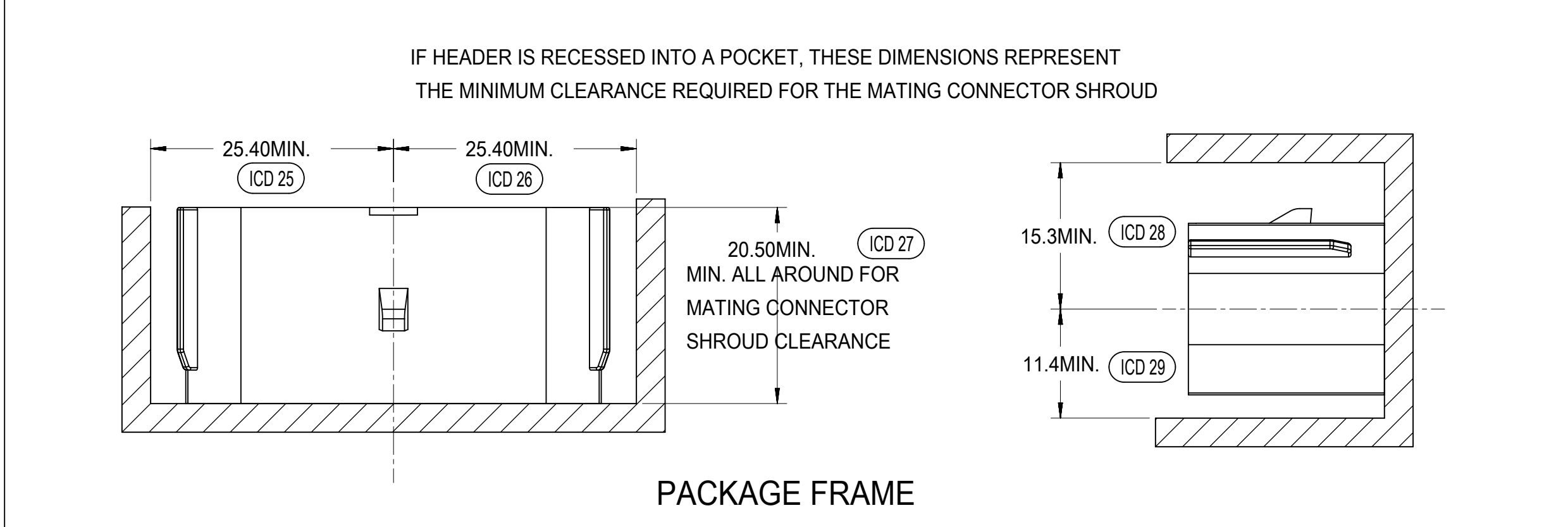
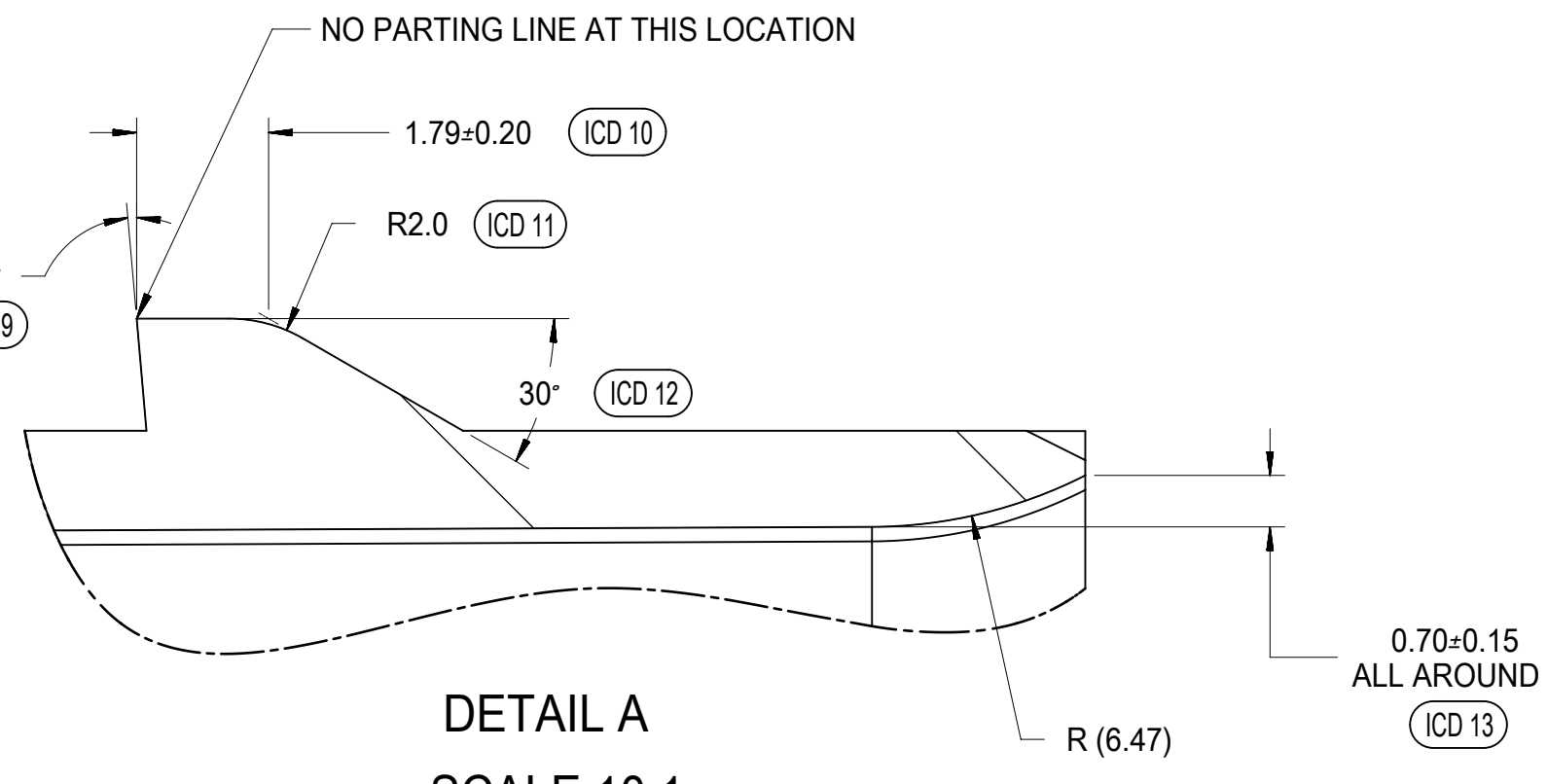
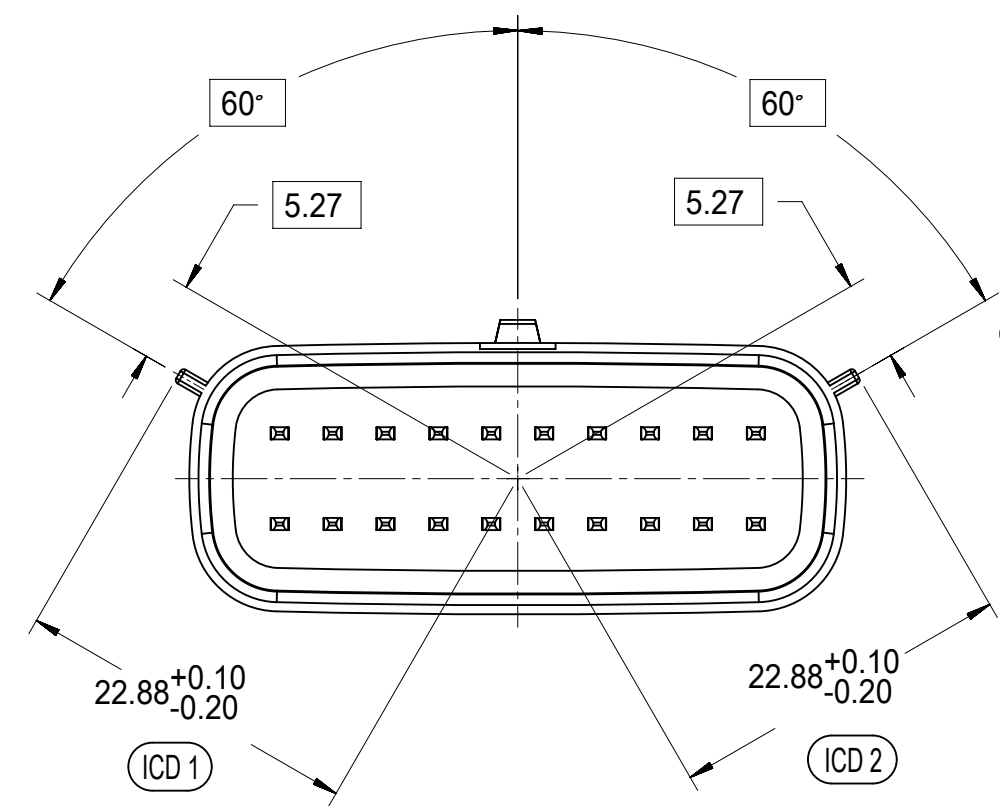
CHARTED DIMENSIONS	
DESCRIPTION	DIMENSIONS
	H
2X3 W/ CLIPSLOT	N/A
2X3 W/O CLIPSLOT	28.50
2X4 W/ CLIPSLOT	N/A
2X4 W/O CLIPSLOT	30.75
2X6 W/ CLIPSLOT	N/A
2X6 W/O CLIPSLOT	35.83



RECEPTACLE SEALED ASSEMBLY WITH RECEPTACLE BACKSHELL

<b>QUALITY SYMBOLS</b> FA = 0 FE = 0 FE = 0 ▼ = 0 C = 0 ☒ = 0 ■ = 0 ∇ = 0	THIS DRAWING CONTAINS INFORMATION THAT IS PROPRIETARY TO MOLEX ELECTRONIC TECHNOLOGIES, LLC AND SHOULD NOT BE USED WITHOUT WRITTEN PERMISSION										
	EC NO: 171650 DRWN: DDEB CHKD: MYANSLAMBROU APPR: MYANSLAMBROU	GENERAL TOLERANCES (UNLESS SPECIFIED) mm SCALE: 4:1		DIMENSION UNITS: mm SCALE: 4:1				<b>MX150 RCPT DUAL ROW SEALED ASSEMBLY MAT SEAL</b>			
		ANGULAR TOL ± 1.0 °		DRWN BY: APROFFITT DATE: 2014/05/14							
	4 PLACES ± 3 PLACES ± 2 PLACES ± 0.1 1 PLACE ± 0.2 0 PLACES ±		CHK'D BY: KBORUSZEWSKI DATE: 2014/06/16		APPR BY: VKOSHY DATE: 2014/06/27		PRODUCT CUSTOMER DRAWING				
DRAFT WHERE APPLICABLE MUST REMAIN WITHIN DIMENSIONS		DRAWING SIZE: A1 THIRD ANGLE PROJECTION		SERIES: 33472 MATERIAL NUMBER:		CUSTOMER: GENERAL MARKET					
C2		DOCUMENT NUMBER: SD-33472-0001		DOC TYPE: PSD		DOC PART: 001		SHEET NUMBER: 9 OF 11			





- MATING INTERFACE NOTES: VALID UNLESS OTHERWISE SPECIFIED
- GENERAL:
    - DESIGNED TO MATE WITH MOLEX CONNECTOR 33472-2XXX & 160008-0XXX & 160074-0XXX. A FULL SHROUD ON THE MATING CONNECTOR IS REQUIRED TO INSURE THAT THE CONNECTOR-HEADER POLARIZATION FEATURES (OPTIONS A THRU D) WILL FUNCTION. THE FULL SHROUD ALSO PREVENTS SCOOP DAMAGE TO THE HEADER PINS. REFER TO 'SAE/USCAR-12 CONNECTOR DESIGN GUIDE LINES' FOR ADDITIONAL INFORMATION.
    - PARTS MUST BE IN COMPLIANCE TO MOLEX CHEMICAL SUBSTANCES FOR PRODUCTS AND PACKAGING SPECIFICATION: ES-40000-5016
    - FLAMMABILITY REQUIREMENT: PER ISO3795 OR GM3191
      - BURN RATE 100mm/MIN MAXIMUM
      - MATERIAL MUST BE SELF EXTINGUISHING
  - MATERIALS:
    - MATERIAL: SPS/NYLON GF20, REGRIND 20% MAX BY WEIGHT
    - STANDARD COLORS FOR POLARIZATION (SEE KEYING OPTIONS TABLE). DEVIATION REQUIRES APPROVAL OF AUTHORIZED PERSON
    - FOR BLADE BASE MATERIAL, PLATING AND PROCESS LUBRICANT:
      - TIN: - BASE MATERIAL: COPPER ALLOY, CONDUCTIVITY >=60% IACS AT 20°C; TENSILE STRENGTH >= 410 N/mm<sup>2</sup> P - BARRIER MATERIAL: NICKEL DEPOSIT FROM NICKEL SULFAMATE PLATING SOLUTION W/O ANY ADDITIVES THICKNESS: 1.25 - 2.25 MICROMETERS - TOP LAYER: 100% ELECTRO-DEPOSITED TIN, MATTE FINISH THICKNESS: 2.5 - 4.0 MICROMETERS
      - SILVER: - BARRIER MATERIAL: ELECTRO-DEPOSITED DUCTILE SULPHAMATE NICKEL THICKNESS: 1.25 - 2.25 MICROMETERS - TOP LAYER: ELECTRO-DEPOSITED SEMI-BRIGHT PURE SILVER (0.5% MAX IMPURITIES) OVER NICKEL ANTI-TARNISH TREATMENT EVERBRIGHT WS THICKNESS: 1.9 - 3.3 MICROMETERS
    - BLADES MUST CONFORM TO ES-40000-5007, EXCEPT FOR SPECULAR REFLECTIVITY - SECTION 6.0
    - ANY PROCESS LUBRICANT REMAINING ON THE TERMINAL MUST NOT VARNISH OR DEGRADE IT'S ELECTRICAL PERFORMANCE UP TO A MAXIMUM CLASS AMBIENT TEMPERATURE PER SAE USCAR-2 FOR 1008 HOURS, PROCESS LUBRICANTS SHOULD BE APPROVED BY THE RESPONSIBLE ENGINEER.
    - INFORMATION FOR BLADE DESIGN WAS DEVELOPED FROM EWCAP DWG: EWCAP-001
  - GEOMETRY:
    - THIS IS A 100% CAD GENERATED PART. THE CAD MATHEMATICAL DATA IS THE MASTER FOR THIS PART. FOR DIMENSIONAL OR ANY INFORMATION NOT SHOWN ON THIS DRAWING, ANALYZE THE CAD MODEL.
    - GEOMETRIC DIMENSIONS AND TOLERANCES PER ASME Y14.5M - 1994
    - GENERAL TOLERANCES: SEE TITLE BLOCK
    - EDGES AND UNDIMENSIONED DETAILS PER ISO13715
  - MANUFACTURING:
    - DRAFT TO BE WITHIN TOLERANCE. PLUS DRAFT - INDICATES A DIMENSION REPRESENTS THE SMALLEST SIZE OF A FEATURE. DRAFT WILL ADD MATERIAL. MINUS DRAFT - INDICATES A DIMENSION REPRESENTS THE LARGEST SIZE OF A FEATURE. DRAFT WILL REMOVE MATERIAL.
    - ALLOWABLE FLASH MAX 0.20 HIGH BY MAX 0.13 THICK.
    - ALLOWABLE SPLIT/PARTING LINE MISMATCH 0.2 MAX.
    - VISUAL DEFECTS SHALL MEET COSMETIC STANDARD PS-45499-002 (Class B)
    - NO EXTERNAL MOLD RELEASE AGENT ALLOWED DURING MANUFACTURING
    - NO PARTING LINES, NO DRAFT, MISMATCHES OR EJECTOR MARKS PERMISSIBLE WITHIN SEALING SURFACE. SEALING SURFACE TOOLING TO BE PROCESSED TO SURFACE FINISH OF NITRA #700 PAPER MINIMUM.

NOT VALIDATED

SYMBOLS		THIS DRAWING CONTAINS INFORMATION THAT IS PROPRIETARY TO MOLEX ELECTRONIC TECHNOLOGIES, LLC AND SHOULD NOT BE USED WITHOUT WRITTEN PERMISSION		CURRENT REV DESC.	
SYMBOL	DIMENSION UNITS	SCALE	REV	DATE	DESCRIPTION
∇ = 0	mm	1:1			
∇ = 0	GENERAL TOLERANCES (UNLESS SPECIFIED)				
∇ = 0	ANGULAR TOL ± 1.0°				
∇ = 0	4 PLACES	±			
∇ = 0	3 PLACES	±			
∇ = 0	2 PLACES	± 0.1			
∇ = 0	1 PLACE	± 0.2			
∇ = 0	0 PLACES	±			
∇ = 0	DRAFT WHERE APPLICABLE MUST REMAIN WITHIN DIMENSIONS				

EC NO: 171650	DRWN: DDEB	2018/01/19	CHK'D: MVANSLAMBROU	2018/02/16	APPR: MVANSLAMBROU	2018/02/16
INITIAL REVISION:			DRWN: APROFFITT			2014/05/14
			APPR: VKOSHY			2014/06/27

DOCUMENT NUMBER		DOC TYPE		DOC PART		REVISION	
SD-33472-0001		PSD		001		C2	
MATERIAL NUMBER		CUSTOMER		SHEET NUMBER			
		GENERAL MARKET		11 OF 11			

150-S-020-2-D02	D	STONE GRAY
150-S-020-2-C02	C	DK GRAY
150-S-020-2-B02	B	LT GRAY
150-S-020-2-A02	A	BLACK
PIN	OPTION	MATING CONNECTOR COLOR

DOCUMENT STATUS	P1	RELEASE DATE	2018/02/16	22:02:25
-----------------	----	--------------	------------	----------

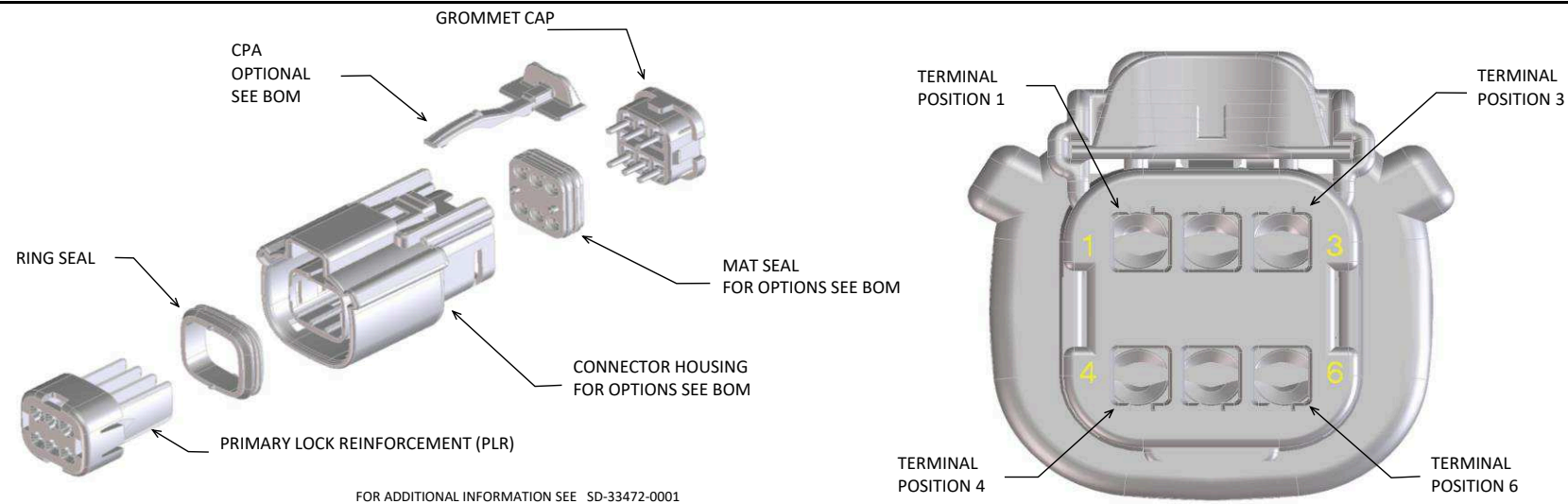




**MX150 RECEPTACLE 2X2 SEALED ASSEMBLY MAT SEAL  
BOM AND PIN OUT SHEET**

ASSEMBLY DESCRIPTION	ASSEMBLY PART NUMBER	COMPONENT						BLOCKED TERMINALS										STATUS	COMMENTS	OPTIONAL ATTACHMENTS SOLD SEPERATELY			
		THE PRESENCE OF AN ABBREVIATION INDICATES THE PRESENCE OF THAT COMPONENT.						CAVITY WITH A NUMBER INDICATES BLOCKED TERMINAL POSITION CAVITY WITHOUT A NUMBER INDICATES OPEN TERMINAL POSITION												BACKSHELL WITH RIBS	BACKSHELL WITHOUT RIBS		
		HOUSING KEY/COLOR	GROMMET CAP	PLR	CPA	MAT SEAL	RING SEAL	1	2	3	4												
KEY A, BLACK, W/O CPA	33472-4040	A-BLK	GCP	PLR		M	R		2											SALEABLE			
KEY A, BLACK, W/O CPA	33472-4041	A-BLK	GCP	PLR		M	R	1	2												SALEABLE		
KEY C, DARK GRAY, W/O CPA	33472-4042	C-DG	GCO	PLR		M	R														SALEABLE		
KEY D, STONE GRAY, W/O CPA	33472-4043	D-SG	GCO	PLR		M	R														SALEABLE		
KEY C, DARK GRAY, W/CPA	33472-4044	C-DG	GCO	PLR	CPA	M	R														SALEABLE		
KEY D, STONE GRAY, W/CPA	33472-4045	D-SG	GCO	PLR	CPA	M	R														SALEABLE		
KEY C, DARK GRAY, W/O CPA	33472-4046	C-DG	GCP	PLR		M	R	1	2	3	4										SALEABLE		
KEY D, STONE GRAY, W/O CPA	33472-4047	D-SG	GCP	PLR		M	R	1	2	3	4										SALEABLE		
KEY A, BLACK, W/O CPA	33472-4048	A-BLK	GCP	PLR		M	R		2	4											SALEABLE		
KEY A, BLACK, W/CPA	33472-4049	A-BLK	GCP	PLR	CPA	M	R		2												SALEABLE		
KEY A, BLACK, W/CPA	33472-4050	A-BLK	GCP	PLR	CPA	M	R			3											SALEABLE		
KEY A, BLACK, W/CPA	33472-4051	A-BLK	GCP	PLR	CPA	M	R				4										SALEABLE		
KEY A, BLACK, W/O CPA	33472-4052	A-BLK	GCP	PLR		M	R		2		4										SALEABLE		
KEY A, YELLOW, W/CPA	33472-4053	A-YW	GCO	PLR	CPA	M	R														SALEABLE		
KEY A, BLACK, W/O CPA	33472-4054	A-BLK	GCP	PLR		M	R	1		3											SALEABLE		
KEY B, LIGHT GRAY, W/CPA	33472-4055	B-LG	GCP	PLR	CPA	M	R	1													SALEABLE		
KEY A, BLACK, W/O CPA	33472-4056	A-BLK	GCP	PLR		M	R	1													SALEABLE		
KEY A, BLACK, W/CPA	33472-4057	A-BLK	GCP	PLR	CPA	M	R	1	2	3	4										SALEABLE		
KEY A, BLACK, W/CPA	33472-4058	A-BLK	GCP	PLR	CPA	M	R		2	3											SALEABLE		
KEY A, BLACK, W/O CPA	33472-4059	A-BLK	GCP	PLR		M	R	1			4										SALEABLE		
KEY B, LIGHT GRAY, W/O CPA	33472-4060	B-LG	GCP	PLR		M	R		2		4										SALEABLE		
KEY A, BLACK, WITH CLIPSLOT, W/O CPA	33472-0501	A-BLK-CLIP	GCO	PLR		M	R														DESIGN RELEASE		
KEY B, LIGHT GRAY, WITH CLIPSLOT, W/O CPA	33472-0502	B-LG-CLIP	GCO	PLR		M	R														DESIGN RELEASE		
KEY C, DARK GRAY, WITH CLIPSLOT, W/O CPA	33472-0503	C-DG-CLIP	GCO	PLR		M	R														DESIGN RELEASE		
KEY D, STONE GRAY, WITH CLIPSLOT, W/O CPA	33472-0504	D-SG-CLIP	GCO	PLR		M	R														DESIGN RELEASE		
KEY A, YELLOW, WITH CLIPSLOT, W/O CPA	33472-0505	A-YW-CLIP	GCO	PLR		M	R														DESIGN RELEASE		
KEY A, BLACK, WITH CLIPSLOT, W/CPA	33472-0506	A-BLK-CLIP	GCO	PLR	CPA	M	R														DESIGN RELEASE		
KEY B, LIGHT GRAY, WITH CLIPSLOT, W/CPA	33472-0507	B-LG-CLIP	GCO	PLR	CPA	M	R														DESIGN RELEASE		
KEY C, DARK GRAY, WITH CLIPSLOT, W/CPA	33472-0508	C-DG-CLIP	GCO	PLR	CPA	M	R														DESIGN RELEASE		
KEY D, STONE GRAY, WITH CLIPSLOT, W/CPA	33472-0509	D-SG-CLIP	GCO	PLR	CPA	M	R														DESIGN RELEASE		
KEY A, YELLOW, WITH CLIPSLOT, W/CPA	33472-0510	A-YW-CLIP	GCO	PLR	CPA	M	R														DESIGN RELEASE		

MX150 RECEPTACLE 2X3 SEALED ASSEMBLY MAT SEAL  
BOM AND PIN OUT SHEET



FOR ADDITIONAL INFORMATION SEE SD-33472-0001

ABBREVIATION	DESCRIPTION	COLOR	MATERIAL
A-BLK	HOUSING, KEYING OPTION A	BLACK	SPS/NYLON GF20
B-LG	HOUSING, KEYING OPTION B	LIGHT GRAY	SPS/NYLON GF20
C-BR	HOUSING, KEYING OPTION C	BROWN	SPS/NYLON GF20
D-GR	HOUSING, KEYING OPTION D	GREEN	SPS/NYLON GF20
C-DG	HOUSING, KEYING OPTION C	DARK GRAY	SPS/NYLON GF20
D-SG	HOUSING, KEYING OPTION D	STONE GRAY	SPS/NYLON GF20
A-YW	HOUSING, KEYING OPTION A	YELLOW	SPS/NYLON GF20
A-BLK-CLIP	HOUSING, KEYING OPTION A WITH CLIPSLOT	BLACK	SPS/NYLON GF20
B-LG-CLIP	HOUSING, KEYING OPTION B WITH CLIPSLOT	LIGHT GRAY	SPS/NYLON GF20
C-BR-CLIP	HOUSING, KEYING OPTION C WITH CLIPSLOT	BROWN	SPS/NYLON GF20
D-GR-CLIP	HOUSING, KEYING OPTION D WITH CLIPSLOT	GREEN	SPS/NYLON GF20
C-DG-CLIP	HOUSING, KEYING OPTION C WITH CLIPSLOT	DARK GRAY	SPS/NYLON GF20
D-SG-CLIP	HOUSING, KEYING OPTION D WITH CLIPSLOT	STONE GRAY	SPS/NYLON GF20
A-SG-CLIP	HOUSING, KEYING OPTION A WITH CLIPSLOT	YELLOW	SPS/NYLON GF20
GC	GROMMET CAP	BLACK	SPS/NYLON GF20
PLR	PLR	NATURAL	SPS/NYLON GF20
CPA	CPA	RED	PBT GF30
M	MAT SEAL	LIGHT BLUE	INHERENTLY LUBRICATED SILICONE
R	RING SEAL	RUST RED	INHERENTLY LUBRICATED SILICONE

ASSEMBLY DESCRIPTION	ASSEMBLY PART NUMBER	COMPONENT						BLOCKED TERMINALS						STATUS	COMMENTS	OPTIONAL ATTACHMENTS SOLD SEPERATELY		
		THE PRESENCE OF AN ABBREVIATION INDICATES THE PRESENCE OF THAT COMPONENT.						CAVITY WITH A NUMBER INDICATES BLOCKED TERMINAL POSITION CAVITY WITHOUT A NUMBER INDICATES OPEN TERMINAL POSITION								BACKSHELL WITH RIBS	BACKSHELL WITHOUT RIBS	
		HOUSING KEY/COLOR	GROMMET CAP	PLR	CPA	MAT SEAL	RING SEAL	1	2	3	4	5	6					
KEY A, BLACK, W/O CPA	33472-0601	A-BLK	GC	PLR		M	R								SALEABLE		34951-0610	34951-0620
KEY B, LIGHT GRAY, W/O CPA	33472-0602	B-LG	GC	PLR		M	R								SALEABLE		34951-0610	34951-0620
KEY C, BROWN, W/O CPA	33472-0603	C-BR	GC	PLR		M	R								NOT RECOMMENDED	SEE P/N 33472-0668	34951-0610	34951-0620
KEY D, GREEN, W/O CPA	33472-0604	D-GR	GC	PLR		M	R								NOT RECOMMENDED	SEE P/N 33472-0669	34951-0610	34951-0620
VOID KEY	33472-0605																	
KEY A, BLACK, W/CPA	33472-0606	A-BLK	GC	PLR	CPA	M	R								SALEABLE		34951-0610	34951-0620
KEY B, LIGHT GRAY, W/CPA	33472-0607	B-LG	GC	PLR	CPA	M	R								SALEABLE		34951-0610	34951-0620
KEY C, BROWN, W/CPA	33472-0608	C-BR	GC	PLR	CPA	M	R								NOT RECOMMENDED	SEE P/N 33472-0670	34951-0610	34951-0620
KEY D, GREEN, W/CPA	33472-0609	D-GR	GC	PLR	CPA	M	R								NOT RECOMMENDED	SEE P/N 33472-0671	34951-0610	34951-0620
VOID KEY	33472-0610																	
KEY A, BLACK, W/O CPA	33472-0611	A-BLK	GC	PLR		M	R			3					SALEABLE	SAME AS P/N 33472-0658	34951-0610	34951-0620
KEY B, LIGHT GRAY, W/O CPA	33472-0612	B-LG	GC	PLR		M	R			3					SALEABLE		34951-0610	34951-0620
KEY C, BROWN, W/O CPA	33472-0613	C-BR	GC	PLR		M	R			3					NOT RECOMMENDED		34951-0610	34951-0620
KEY D, GREEN, W/O CPA	33472-0614	D-GR	GC	PLR		M	R			3					NOT RECOMMENDED		34951-0610	34951-0620
VOID KEY	33472-0615																	
KEY A, BLACK, W/CPA	33472-0616	A-BLK	GC	PLR	CPA	M	R			3					SALEABLE		34951-0610	34951-0620
KEY B, LIGHT GRAY, W/CPA	33472-0617	B-LG	GC	PLR	CPA	M	R			3					SALEABLE		34951-0610	34951-0620
KEY C, BROWN, W/CPA	33472-0618	C-BR	GC	PLR	CPA	M	R			3					NOT RECOMMENDED		34951-0610	34951-0620
KEY D, GREEN, W/CPA	33472-0619	D-GR	GC	PLR	CPA	M	R			3					NOT RECOMMENDED		34951-0610	34951-0620
VOID KEY	33472-0620																	
KEY A, BLACK, W/O CPA	33472-0621	A-BLK	GC	PLR		M	R			3	4				SALEABLE		34951-0610	34951-0620
KEY B, LIGHT GRAY, W/O CPA	33472-0622	B-LG	GC	PLR		M	R			3	4				SALEABLE		34951-0610	34951-0620
KEY C, BROWN, W/O CPA	33472-0623	C-BR	GC	PLR		M	R			3	4				NOT RECOMMENDED		34951-0610	34951-0620
KEY D, GREEN, W/O CPA	33472-0624	D-GR	GC	PLR		M	R			3	4				NOT RECOMMENDED		34951-0610	34951-0620
VOID KEY	33472-0625																	
KEY A, BLACK, W/CPA	33472-0626	A-BLK	GC	PLR	CPA	M	R			3	4				SALEABLE		34951-0610	34951-0620
KEY B, LIGHT GRAY, W/CPA	33472-0627	B-LG	GC	PLR	CPA	M	R			3	4				SALEABLE		34951-0610	34951-0620
KEY C, BROWN, W/CPA	33472-0628	C-BR	GC	PLR	CPA	M	R			3	4				NOT RECOMMENDED		34951-0610	34951-0620
KEY D, GREEN, W/CPA	33472-0629	D-GR	GC	PLR	CPA	M	R			3	4				NOT RECOMMENDED		34951-0610	34951-0620
VOID KEY	33472-0630																	
KEY A, BLACK, W/O CPA, W/O MAT SEAL	33472-0631	A-BLK	GC	PLR			R								PLANNED OBSOLESCENCE	NOT VALIDATED	34951-0610	34951-0620
KEY B, LIGHT GRAY, W/O CPA, W/O MAT SEAL	33472-0632	B-LG	GC	PLR			R								PLANNED OBSOLESCENCE	NOT VALIDATED	34951-0610	34951-0620
KEY C, BROWN, W/O CPA, W/O MAT SEAL	33472-0633	C-BR	GC	PLR			R								PLANNED OBSOLESCENCE	NOT VALIDATED	34951-0610	34951-0620
KEY D, GREEN, W/O CPA, W/O MAT SEAL	33472-0634	D-GR	GC	PLR			R								PLANNED OBSOLESCENCE	NOT VALIDATED	34951-0610	34951-0620
VOID KEY	33472-0635																	
KEY A, BLACK, W/O CPA	33472-0636	A-BLK	GC	PLR		M	R	1	2	3	4	5	6		SALEABLE		34951-0610	34951-0620
KEY B, LIGHT GRAY, W/O CPA	33472-0637	B-LG	GC	PLR		M	R	1	2	3	4	5	6		SALEABLE		34951-0610	34951-0620
KEY C, BROWN, W/O CPA	33472-0638	C-BR	GC	PLR		M	R	1	2	3	4	5	6		NOT RECOMMENDED	SEE P/N 33472-0749	34951-0610	34951-0620
KEY D, GREEN, W/O CPA	33472-0639	D-GR	GC	PLR		M	R	1	2	3	4	5	6		NOT RECOMMENDED	SEE P/N 33472-0750	34951-0610	34951-0620
VOID KEY	33472-0640																	
KEY A, BLACK, W/O CPA	33472-0641	A-BLK	GC	PLR		M	R		2	3	4	5			SALEABLE		34951-0610	34951-0620
KEY A, BLACK, W/O CPA	33472-0642	A-BLK	GC	PLR		M	R			3	4				SALEABLE		34951-0610	34951-0620
KEY A, BLACK, W/CPA	33472-0643	A-BLK	GC	PLR	CPA	M	R	1		3	4				SALEABLE		34951-0610	34951-0620
KEY B, LIGHT GRAY, W/CPA	33472-0644	B-LG	GC	PLR	CPA	M	R	1		3	4				SALEABLE		34951-0610	34951-0620
KEY C, BROWN, W/CPA	33472-0645	C-BR	GC	PLR	CPA	M	R	1		3	4				NOT RECOMMENDED		34951-0610	34951-0620
KEY D, GREEN, W/CPA	33472-0646	D-GR	GC	PLR	CPA	M	R	1		3	4				NOT RECOMMENDED		34951-0610	34951-0620
VOID KEY	33472-0647																	
KEY A, BLACK, W/O CPA	33472-0648	A-BLK	GC	PLR		M	R	1		3	4		6		SALEABLE		34951-0610	34951-0620
KEY B, LIGHT GRAY, W/O CPA	33472-0649	B-LG	GC	PLR		M	R	1		3	4		6		SALEABLE		34951-0610	34951-0620
KEY C, BROWN, W/O CPA	33472-0650	C-BR	GC	PLR		M	R	1		3	4		6		NOT RECOMMENDED		34951-0610	34951-0620
KEY D, GREEN, W/O CPA	33472-0651	D-GR	GC	PLR		M	R	1		3	4		6		NOT RECOMMENDED		34951-0610	34951-0620
VOID KEY	33472-0652																	
KEY A, BLACK, W/CPA	33472-0653	A-BLK	GC	PLR	CPA	M	R	1		3	4		6		SALEABLE		34951-0610	34951-0620
KEY B, LIGHT GRAY, W/CPA	33472-0654	B-LG	GC	PLR	CPA	M	R	1		3	4		6		SALEABLE		34951-0610	34951-0620



**MX150 RECEPTACLE 2X3 SEALED ASSEMBLY MAT SEAL  
BOM AND PIN OUT SHEET**

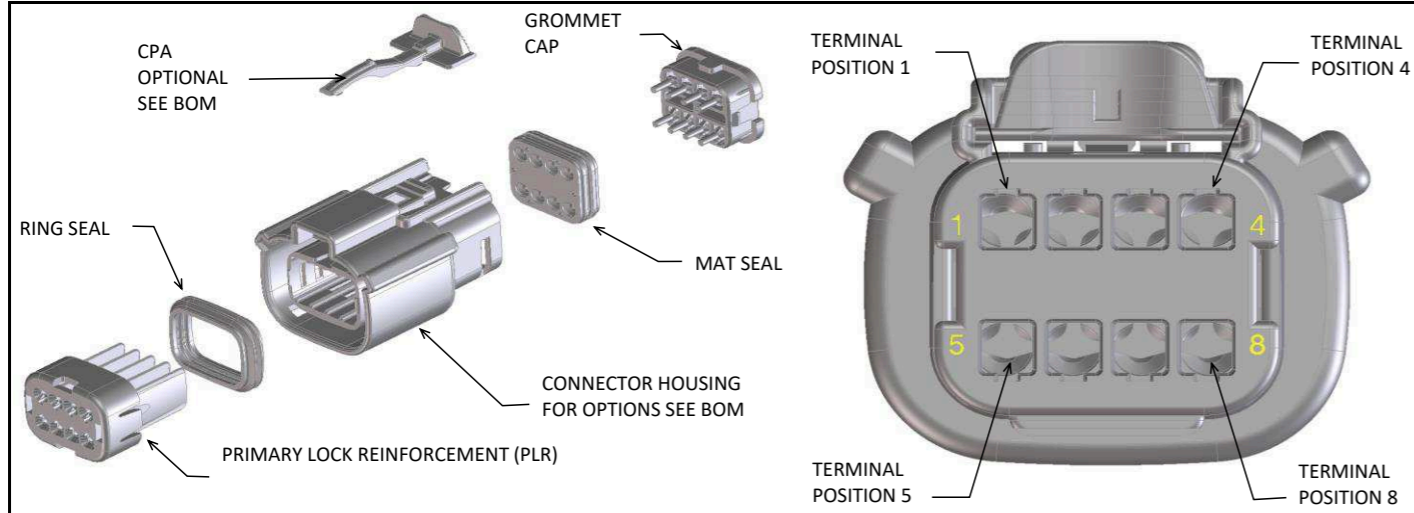
ASSEMBLY DESCRIPTION	ASSEMBLY PART NUMBER	COMPONENT						BLOCKED TERMINALS						STATUS	COMMENTS	OPTIONAL ATTACHMENTS SOLD SEPERATELY					
		THE PRESENCE OF AN ABBREVIATION INDICATES THE PRESENCE OF THAT COMPONENT.						CAVITY WITH A NUMBER INDICATES BLOCKED TERMINAL POSITION CAVITY WITHOUT A NUMBER INDICATES OPEN TERMINAL POSITION								BACKSHELL WITH RIBS	BACKSHELL WITHOUT RIBS				
		HOUSING KEY/COLOR	GROMMET CAP	PLR	CPA	MAT SEAL	RING SEAL	1	2	3	4	5	6								
KEY C, BROWN, W/CPA	33472-0655	C-BR	GC	PLR	CPA	M	R	1								NOT RECOMMENDED		34951-0610	34951-0620		
KEY D, GREEN, W/CPA	33472-0656	D-GR	GC	PLR	CPA	M	R	1								NOT RECOMMENDED		34951-0610	34951-0620		
VOID KEY	33472-0657																				
KEY A, BLACK, W/O CPA	33472-0658	A-BLK	GC	PLR		M	R				3					SALEABLE		34951-0610	34951-0620		
KEY A, BLACK, W/O CPA	33472-0659	A-BLK	GC	PLR		M	R				3			5		SALEABLE		34951-0610	34951-0620		
KEY A, BLACK, W/CPA	33472-0660	A-BLK	GC	PLR	CPA	M	R	1			3			5		SALEABLE		34951-0610	34951-0620		
KEY A, BLACK, W/O CPA	33472-0661	A-BLK	GC	PLR		M	R			2						SALEABLE		34951-0610	34951-0620		
KEY A, BLACK, W/O CPA	33472-0662	A-BLK	GC	PLR		M	R			2						SALEABLE		34951-0610	34951-0620		
KEY A, BLACK, W/O CPA	33472-0663	A-BLK	GC	PLR		M	R							5		SALEABLE		34951-0610	34951-0620		
KEY A, BLACK, W/O CPA	33472-0664	A-BLK	GC	PLR		M	R					4		5		SALEABLE		34951-0610	34951-0620		
KEY A, BLACK, W/O CPA	33472-0665	A-BLK	GC	PLR		M	R	1								SALEABLE		34951-0610	34951-0620		
KEY A, BLACK, W/O CPA	33472-0666	A-BLK	GC	PLR		M	R			2						SALEABLE		34951-0610	34951-0620		
KEY A, BLACK, W/O CPA	33472-0667	A-BLK	GC	PLR		M	R	1			3			5		SALEABLE		34951-0610	34951-0620		
KEY C, DARK GRAY, W/O CPA	33472-0668	C-DG	GC	PLR		M	R									SALEABLE		34951-0610	34951-0620		
KEY D, STONE GRAY, W/O CPA	33472-0669	D-SG	GC	PLR		M	R									SALEABLE		34951-0610	34951-0620		
KEY C, DARK GRAY, W/CPA	33472-0670	C-DG	GC	PLR	CPA	M	R									SALEABLE		34951-0610	34951-0620		
KEY D, STONE GRAY, W/CPA	33472-0671	D-SG	GC	PLR	CPA	M	R									SALEABLE		34951-0610	34951-0620		
KEY B, LIGHT GRAY, W/O CPA	33472-0672	B-LG	GC	PLR		M	R							5		SALEABLE		34951-0610	34951-0620		
KEY A, BLACK, W/O CPA	33472-0673	A-BLK	GC	PLR		M	R								6	SALEABLE		34951-0610	34951-0620		
KEY A, BLACK, W/CPA	33472-0674	A-BLK	GC	PLR	CPA	M	R							5		SALEABLE		34951-0610	34951-0620		
KEY A, BLACK, W/CPA	33472-0675	A-BLK	GC	PLR	CPA	M	R								6	SALEABLE		34951-0610	34951-0620		
KEY B, LIGHT GRAY, W/CPA	33472-0676	B-LG	GC	PLR	CPA	M	R	1						5		SALEABLE		34951-0610	34951-0620		
KEY B, LIGHT GRAY, W/O CPA	33472-0677	B-LG	GC	PLR		M	R	1						5		SALEABLE		34951-0610	34951-0620		
KEY B, LIGHT GRAY, W/O CPA	33472-0678	B-LG	GC	PLR		M	R							5		SALEABLE		34951-0610	34951-0620		
KEY A, BLACK, W/CPA	33472-0679	A-BLK	GC	PLR	CPA	M	R	1		2		3				SALEABLE		34951-0610	34951-0620		
KEY A, BLACK, W/O CPA	33472-0680	A-BLK	GC	PLR		M	R	1		2		3				SALEABLE		34951-0610	34951-0620		
KEY A, BLACK, W/CPA	33472-0681	A-BLK	GC	PLR	CPA	M	R			2						SALEABLE		34951-0610	34951-0620		
KEY A, YELLOW, W/CPA	33472-0682	A-YW	GC	PLR	CPA	M	R									SALEABLE		34951-0610	34951-0620		
KEY A, BLACK, W/O CPA	33472-0683	A-BLK	GC	PLR		M	R				3		4		5		SALEABLE		34951-0610	34951-0620	
KEY A, BLACK, W/CPA	33472-0684	A-BLK	GC	PLR	CPA	M	R			2		3				SALEABLE		34951-0610	34951-0620		
KEY B, LIGHT GRAY, W/CPA	33472-0685	B-LG	GC	PLR	CPA	M	R	1		2		3		4		5		SALEABLE		34951-0610	34951-0620
KEY B, LIGHT GRAY, W/CPA	33472-0686	B-LG	GC	PLR	CPA	M	R			2		3				SALEABLE		34951-0610	34951-0620		
KEY A, BLACK, W/O CPA	33472-0687	A-BLK	GC	PLR		M	R	1								SALEABLE		34951-0610	34951-0620		
KEY A, BLACK, W/CPA	33472-0688	A-BLK	GC	PLR	CPA	M	R							4		5		SALEABLE		34951-0610	34951-0620
KEY A, BLACK, W/CPA	33472-0689	A-BLK	GC	PLR	CPA	M	R							4		SALEABLE		34951-0610	34951-0620		
KEY B, LIGHT GRAY, W/CPA	33472-0690	B-LG	GC	PLR	CPA	M	R							4		SALEABLE		34951-0610	34951-0620		
KEY A, BLACK, W/CPA	33472-0691	A-BLK	GC	PLR	CPA	M	R	1			3			5		SALEABLE		34951-0610	34951-0620		
KEY A, BLACK, W/CPA	33472-0692	A-BLK	GC	PLR	CPA	M	R			2						SALEABLE		34951-0610	34951-0620		
KEY A, BLACK, WITH CLIPSLOT, W/O CPA	33472-0701	A-BLK-CLIP	GC	PLR		M	R									SALEABLE		N/A	N/A		
KEY B, LIGHT GRAY, WITH CLIPSLOT, W/O CPA	33472-0702	B-LG-CLIP	GC	PLR		M	R									SALEABLE		N/A	N/A		
KEY C, BROWN, WITH CLIPSLOT, W/O CPA	33472-0703	C-BR-CLIP	GC	PLR		M	R									NOT RECOMMENDED--SEE P/N 33472-0714		N/A	N/A		
KEY D, GREEN, WITH CLIPSLOT, W/O CPA	33472-0704	D-GR-CLIP	GC	PLR		M	R									NOT RECOMMENDED--SEE P/N 33472-0715		N/A	N/A		
KEY A, BLACK, WITH CLIPSLOT, W/CPA	33472-0705	A-BLK-CLIP	GC	PLR	CPA	M	R									SALEABLE		N/A	N/A		
KEY B, LIGHT GRAY, WITH CLIPSLOT, W/CPA	33472-0706	B-LG-CLIP	GC	PLR	CPA	M	R									SALEABLE		N/A	N/A		
KEY C, BROWN, WITH CLIPSLOT, W/CPA	33472-0707	C-BR-CLIP	GC	PLR	CPA	M	R									NOT RECOMMENDED--SEE P/N 33472-0716		N/A	N/A		
KEY D, GREEN, WITH CLIPSLOT, W/CPA	33472-0708	D-GR-CLIP	GC	PLR	CPA	M	R									NOT RECOMMENDED--SEE P/N 33472-0717		N/A	N/A		
KEY A, BLACK, WITH CLIPSLOT, W/O CPA	33472-0709	A-BLK-CLIP	GC	PLR		M	R				3					SALEABLE		N/A	N/A		
KEY A, BLACK, WITH CLIPSLOT, W/O CPA	33472-0710	A-BLK-CLIP	GC	PLR		M	R			2		3		4		5		SALEABLE		N/A	N/A
KEY A, BLACK, WITH CLIPSLOT, W/O CPA	33472-0711	A-BLK-CLIP	GC	PLR		M	R							5		SALEABLE		N/A	N/A		
KEY A, BLACK, WITH CLIPSLOT, W/O CPA	33472-0712	A-BLK-CLIP	GC	PLR		M	R				3			4		SALEABLE		N/A	N/A		
KEY B, LIGHT GRAY, WITH CLIPSLOT, W/O CPA	33472-0713	B-LG-CLIP	GC	PLR		M	R	1						5		SALEABLE		N/A	N/A		
KEY C, DARK GRAY, WITH CLIPSLOT, W/O CPA	33472-0714	C-DG-CLIP	GC	PLR		M	R									SALEABLE		N/A	N/A		
KEY D, STONE GRAY, WITH CLIPSLOT, W/O CPA	33472-0715	D-SG-CLIP	GC	PLR		M	R									SALEABLE		N/A	N/A		
KEY C, DARK GRAY, WITH CLIPSLOT, W/CPA	33472-0716	C-DG-CLIP	GC	PLR	CPA	M	R									SALEABLE		N/A	N/A		
KEY D, STONE GRAY, WITH CLIPSLOT, W/CPA	33472-0717	D-SG-CLIP	GC	PLR	CPA	M	R									SALEABLE		N/A	N/A		
KEY A, BLACK, WITH CLIPSLOT, W/O CPA	33472-0718	A-BLK-CLIP	GC	PLR		M	R				3					SALEABLE		N/A	N/A		
KEY B, LIGHT GRAY, WITH CLIPSLOT, W/CPA	33472-0719	B-LG-CLIP	GC	PLR	CPA	M	R	1						5		SALEABLE		N/A	N/A		
KEY B, LIGHT GRAY, WITH CLIPSLOT, W/O CPA	33472-0720	B-LG-CLIP	GC	PLR		M	R									SALEABLE		N/A	N/A		
KEY C, DARK GRAY, WITH CLIPSLOT, W/O CPA	33472-0721	C-DG-CLIP	GC	PLR		M	R				3					SALEABLE		N/A	N/A		
KEY A, BLACK, WITH CLIPSLOT, W/O CPA	33472-0722	A-BLK-CLIP	GC	PLR		M	R							4		5		SALEABLE		N/A	N/A
KEY A, BLACK, WITH CLIPSLOT, W/O CPA	33472-0723	A-BLK-CLIP	GC	PLR		M	R			2		3				5		SALEABLE		N/A	N/A
KEY A, BLACK, WITH CLIPSLOT, W/O CPA	33472-0724	A-BLK-CLIP	GC	PLR		M	R			2						6		SALEABLE		N/A	N/A
KEY A, BLACK, WITH CLIPSLOT, W/O CPA	33472-0725	A-BLK-CLIP	GC	PLR		M	R				3					5		SALEABLE		N/A	N/A
KEY A, BLACK, WITH CLIPSLOT, W/O CPA	33472-0726	A-BLK-CLIP	GC	PLR		M	R									6		SALEABLE		N/A	N/A
KEY A, BLACK, WITH CLIPSLOT, W/O CPA	33472-0727	A-BLK-CLIP	GC	PLR		M	R									6		SALEABLE		N/A	N/A
KEY A, BLACK, WITH CLIPSLOT, W/O CPA	33472-0728	A-BLK-CLIP	GC	PLR		M	R	1		2		3				5		SALEABLE		N/A	N/A
KEY A, BLACK, WITH CLIPSLOT, W/O CPA	33472-0729	A-BLK-CLIP	GC	PLR		M	R	1		2		3				5		SALEABLE		N/A	N/A
KEY A, BLACK, WITH CLIPSLOT, W/O CPA	33472-0730	A-BLK-CLIP	GC	PLR		M	R									4		SALEABLE		N/A	N/A
KEY A, BLACK, WITH CLIPSLOT, W/O CPA	33472-0731	A-BLK-CLIP	GC	PLR		M	R									4		SALEABLE		N/A	N/A
KEY B, LIGHT GRAY, WITH CLIPSLOT, W/O CPA	33472-0732	B-LG-CLIP	GC	PLR		M	R									4		5		6	
KEY A, BLACK, W/CPA	33472-0733	A-BLK	GC	PLR	CPA	M	R			2						5		SALEABLE		34951-0610	34951-0620
KEY A, BLACK, WITH CLIPSLOT, W/O CPA	33472-0734	A-BLK-CLIP	GC	PLR		M	R									5		SALEABLE		N/A	N/A
KEY A, BLACK, W/O CPA	33472-0735	A-BLK	GC	PLR		M	R									5		SALEABLE		34951-0610	34951-0620
KEY B, LIGHT GRAY, W/O CPA	33472-0736	B-LG	GC	PLR		M	R					4				5		SALEABLE		34951-0610	34951-0620
KEY A, BLACK, W/CPA	33472-0737	A-BLK	GC	PLR	CPA	M	R	1								SALEABLE		34951-0610		34951-0620	
KEY B, LIGHT GRAY, W/CPA	33472-0738	B-LG	GC	PLR	CPA	M	R	1								SALEABLE		34951-0610		34951-0620	
KEY A, BLACK, WITH CLIPSLOT, W/CPA	33472-0739	A-BLK-CLIP	GC	PLR	CPA	M	R	1		2						5		SALEABLE		N/A	N/A
KEY A, BLACK, WITH CLIPSLOT, W/CPA	33472-0740	A-BLK-CLIP	GC	PLR	CPA	M	R			2						5		SALEABLE		N/A	N/A
KEY A, BLACK, W/O CPA	33472-0741	A-BLK	GC	PLR		M	R					3						SALEABLE		34951-0610	34951-0620
KEY A, BLACK, W/O CPA	33472-0742	A-BLK	GC	PLR		M	R	1								5		SALEABLE		34951-0610	34951-0620
KEY B, LIGHT GRAY, W/O CPA	33472-0743	B-LG	GC	PLR		M	R	1								5		SALEABLE		34951-0610	34951-0620



**MX150 RECEPTACLE 2X3 SEALED ASSEMBLY MAT SEAL  
BOM AND PIN OUT SHEET**

ASSEMBLY DESCRIPTION	ASSEMBLY PART NUMBER	COMPONENT							BLOCKED TERMINALS						STATUS	COMMENTS	OPTIONAL ATTACHMENTS SOLD SEPERATELY	
		THE PRESENCE OF AN ABBREVIATION INDICATES THE PRESENCE OF THAT COMPONENT.							CAVITY WITH A NUMBER INDICATES BLOCKED TERMINAL POSITION CAVITY WITHOUT A NUMBER INDICATES OPEN TERMINAL POSITION								BACKSHELL WITH RIBS	BACKSHELL WITHOUT RIBS
		HOUSING KEY/COLOR	GROMMET CAP	PLR	CPA	MAT SEAL	RING SEAL	1	2	3	4	5	6					
KEY A, BLACK, WITH CLIPSLOT, W/CPA	33472-0744	A-BLK-CLIP	GC	PLR	CPA	M	R			3					SALEABLE		N/A	N/A
KEY A, BLACK, WITH CLIPSLOT, W/O CPA	33472-0745	A-BLK-CLIP	GC	PLR		M	R	1				4			SALEABLE		N/A	N/A
KEY B, LIGHT GRAY, W/CPA	33472-0746	B-LG	GC	PLR	CPA	M	R					4	5	6	SALEABLE		34951-0610	34951-0620
KEY A, BLACK, W/CPA	33472-0747	A-BLK	GC	PLR	CPA	M	R		2	3		4	5		SALEABLE		34951-0610	34951-0620
KEY C, DARK GRAY, W/O CPA	33472-0748	C-DG	GC	PLR		M	R							6	SALEABLE		34951-0610	34951-0620
KEY C, DARK GRAY, W/O CPA	33472-0749	C-DG	GC	PLR		M	R	1	2	3		4	5	6	SALEABLE		34951-0610	34951-0620
KEY D, STONE GRAY, W/O CPA	33472-0750	D-SG	GC	PLR		M	R	1	2	3		4	5	6	SALEABLE		34951-0610	34951-0620
KEY A, BLACK, W/O CPA	33472-0751	A-BLK	GC	PLR		M	R		2	3					SALEABLE		34951-0610	34951-0620
KEY A, BLACK, WITH CLIPSLOT, W/CPA	33472-0752	A-BLK-CLIP	GC	PLR	CPA	M	R	1					5	6	SALEABLE		N/A	N/A
KEY A, BLACK, WITH CLIPSLOT, W/CPA	33472-0753	A-BLK-CLIP	GC	PLR	CPA	M	R							6	SALEABLE		N/A	N/A
KEY A, BLACK, W/CPA	33472-0754	A-BLK	GC	PLR	CPA	M	R						5		SALEABLE		34951-0610	34951-0620
KEY A, BLACK, WITH CLIPSLOT, W/CPA	33472-0755	A-BLK-CLIP	GC	PLR	CPA	M	R						5	6	SALEABLE		N/A	N/A
KEY A, BLACK, W/CPA	33472-0756	A-BLK	GC	PLR	CPA	M	R	1	2	3		4			SALEABLE		34951-0610	34951-0620
KEY B, LIGHT GRAY, W/O CPA	33472-0757	B-LG	GC	PLR		M	R	1							SALEABLE		34951-0610	34951-0620
KEY A, BLACK, WITH CLIPSLOT, W/O CPA	33472-7001	A-BLK-CLIP	GC	PLR		M	R			3		4		6	SALEABLE		N/A	N/A

MX150 RECEPTACLE 2X4 SEALED ASSEMBLY MAT SEAL  
BOM AND PIN OUT SHEET



ABBREVIATION	DESCRIPTION	COLOR	MATERIAL
A-BLK	HOUSING, KEYING OPTION A	BLACK	SPS/NYLON GF20
B-LG	HOUSING, KEYING OPTION B	LIGHT GRAY	SPS/NYLON GF20
C-BR	HOUSING, KEYING OPTION C	BROWN	SPS/NYLON GF20
D-GR	HOUSING, KEYING OPTION D	GREEN	SPS/NYLON GF20
C-DG	HOUSING, KEYING OPTION C	DARK GRAY	SPS/NYLON GF20
D-SG	HOUSING, KEYING OPTION D	STONE GRAY	SPS/NYLON GF20
D-BLK	HOUSING, KEYING OPTION D	BLACK	SPS/NYLON GF20
A-YW	HOUSING, KEYING OPTION A	YELLOW	SPS/NYLON GF20
A-BLK-CLIP	HOUSING, KEYING OPTION A WITH CLIPSLOT	BLACK	SPS/NYLON GF20
B-LG-CLIP	HOUSING, KEYING OPTION B WITH CLIPSLOT	LIGHT GRAY	SPS/NYLON GF20
C-BR-CLIP	HOUSING, KEYING OPTION C WITH CLIPSLOT	BROWN	SPS/NYLON GF20
D-GR-CLIP	HOUSING, KEYING OPTION D WITH CLIPSLOT	GREEN	SPS/NYLON GF20
C-DG-CLIP	HOUSING, KEYING OPTION C WITH CLIPSLOT	DARK GRAY	SPS/NYLON GF20
D-SG-CLIP	HOUSING, KEYING OPTION D WITH CLIPSLOT	STONE GRAY	SPS/NYLON GF20
D-BLK-CLIP	HOUSING, KEYING OPTION D WITH CLIPSLOT	BLACK	SPS/NYLON GF20
GCO	GROMMET CAP (OPEN)	BLACK	SPS/NYLON GF20
GCP	GROMMET CAP (PLUGGED)	BLACK	SPS/NYLON GF20
PLR	PLR	NATURAL	SPS/NYLON GF20
CPA	CPA	RED	PBT GF30
M	MAT SEAL	LIGHT BLUE	INHERENTLY LUBRICATED SILICONE
RG	RING SEAL	GREEN	INHERENTLY LUBRICATED SILICONE
RR	RING SEAL	RUST RED	INHERENTLY LUBRICATED SILICONE

FOR ADDITIONAL INFORMATION SEE SD-33472-0001

ASSEMBLY DESCRIPTION	ASSEMBLY PART NUMBER	COMPONENT							BLOCKED TERMINALS								STATUS	COMMENTS	OPTIONAL ATTACHMENTS SOLD SEPERATELY			
		THE PRESENCE OF AN ABBREVIATION INDICATES THE PRESENCE OF THAT COMPONENT.							CAVITY WITH A NUMBER INDICATES BLOCKED TERMINAL POSITION CAVITY WITHOUT A NUMBER INDICATES OPEN TERMINAL POSITION										BACKSHELL WITH RIBS	BACKSHELL WITHOUT RIBS	90° ADAPTOR WITH RIBS	90° ADAPTOR WITHOUT RIBS
		HOUSING KEY/COLOR	GROMMET CAP	PLR	CPA	MAT SEAL	RING SEAL	1	2	3	4	5	6	7	8							
KEY A, BLACK, W/O CPA	33472-0801	A-BLK	GCO	PLR		M	RG										PLANNED OBSOLESCE		N/A	N/A	N/A	N/A
KEY B, LIGHT GRAY, W/O CPA	33472-0802	B-LG	GCO	PLR		M	RG										PLANNED OBSOLESCE		N/A	N/A	N/A	N/A
KEY C, BROWN, W/O CPA	33472-0803	C-BR	GCO	PLR		M	RG										PLANNED OBSOLESCE	SEE P/N 33472-0879	N/A	N/A	N/A	N/A
KEY D, GREEN, W/O CPA	33472-0804	D-GR	GCO	PLR		M	RG										PLANNED OBSOLESCE	SEE P/N 33472-0880	N/A	N/A	N/A	N/A
KEY D, BLACK, W/O CPA	33472-0805	D-BLK	GCO	PLR		M	RG										PLANNED OBSOLESCE		N/A	N/A	N/A	N/A
KEY A, BLACK, W/CPA	33472-0806	A-BLK	GCO	PLR	CPA	M	RG										PLANNED OBSOLESCE		N/A	N/A	N/A	N/A
KEY B, LIGHT GRAY, W/CPA	33472-0807	B-LG	GCO	PLR	CPA	M	RG										PLANNED OBSOLESCE		N/A	N/A	N/A	N/A
KEY C, BROWN, W/CPA	33472-0808	C-BR	GCO	PLR	CPA	M	RG										PLANNED OBSOLESCE	SEE P/N 33472-0881	N/A	N/A	N/A	N/A
KEY D, GREEN, W/CPA	33472-0809	D-GR	GCO	PLR	CPA	M	RG										PLANNED OBSOLESCE	SEE P/N 33472-0882	N/A	N/A	N/A	N/A
VOID KEY	33472-0810																					
KEY A, BLACK, W/O CPA	33472-0811	A-BLK	GCP	PLR		M	RG					4					PLANNED OBSOLESCE		N/A	N/A	N/A	N/A
KEY B, LIGHT GRAY, W/O CPA	33472-0812	B-LG	GCP	PLR		M	RG					4					PLANNED OBSOLESCE		N/A	N/A	N/A	N/A
KEY C, BROWN, W/O CPA	33472-0813	C-BR	GCP	PLR		M	RG					4					PLANNED OBSOLESCE		N/A	N/A	N/A	N/A
KEY D, GREEN, W/O CPA	33472-0814	D-GR	GCP	PLR		M	RG					4					PLANNED OBSOLESCE		N/A	N/A	N/A	N/A
VOID KEY	33472-0815																					
KEY A, BLACK, W/CPA	33472-0816	A-BLK	GCP	PLR	CPA	M	RG					4					PLANNED OBSOLESCE		N/A	N/A	N/A	N/A
KEY B, LIGHT GRAY, W/CPA	33472-0817	B-LG	GCP	PLR	CPA	M	RG					4					PLANNED OBSOLESCE		N/A	N/A	N/A	N/A
KEY C, BROWN, W/CPA	33472-0818	C-BR	GCP	PLR	CPA	M	RG					4					PLANNED OBSOLESCE		N/A	N/A	N/A	N/A
KEY D, GREEN, W/CPA	33472-0819	D-GR	GCP	PLR	CPA	M	RG					4					PLANNED OBSOLESCE	SEE P/N 33472-1009	N/A	N/A	N/A	N/A
VOID KEY	33472-0820																					
KEY A, BLACK, W/O CPA	33472-0821	A-BLK	GCP	PLR		M	RG					4	5				PLANNED OBSOLESCE		N/A	N/A	N/A	N/A
KEY B, LIGHT GRAY, W/O CPA	33472-0822	B-LG	GCP	PLR		M	RG					4	5				PLANNED OBSOLESCE		N/A	N/A	N/A	N/A
KEY C, BROWN, W/O CPA	33472-0823	C-BR	GCP	PLR		M	RG					4	5				PLANNED OBSOLESCE		N/A	N/A	N/A	N/A
KEY D, GREEN, W/O CPA	33472-0824	D-GR	GCP	PLR		M	RG					4	5				PLANNED OBSOLESCE		N/A	N/A	N/A	N/A
VOID KEY	33472-0825																					
KEY A, BLACK, W/CPA	33472-0826	A-BLK	GCP	PLR	CPA	M	RG					4	5				PLANNED OBSOLESCE		N/A	N/A	N/A	N/A
KEY B, LIGHT GRAY, W/CPA	33472-0827	B-LG	GCP	PLR	CPA	M	RG					4	5				PLANNED OBSOLESCE		N/A	N/A	N/A	N/A
KEY C, BROWN, W/CPA	33472-0828	C-BR	GCP	PLR	CPA	M	RG					4	5				PLANNED OBSOLESCE		N/A	N/A	N/A	N/A
KEY D, GREEN, W/CPA	33472-0829	D-GR	GCP	PLR	CPA	M	RG					4	5				PLANNED OBSOLESCE	SEE P/N 33472-1010	N/A	N/A	N/A	N/A
VOID KEY	33472-0830																					
KEY A, BLACK, W/O CPA	33472-0831	A-BLK	GCP	PLR		M	RG	1				4	5				PLANNED OBSOLESCE		N/A	N/A	N/A	N/A
KEY B, LIGHT GRAY, W/O CPA	33472-0832	B-LG	GCP	PLR		M	RG	1				4	5				PLANNED OBSOLESCE		N/A	N/A	N/A	N/A
KEY C, BROWN, W/O CPA	33472-0833	C-BR	GCP	PLR		M	RG	1				4	5				PLANNED OBSOLESCE		N/A	N/A	N/A	N/A
KEY D, GREEN, W/O CPA	33472-0834	D-GR	GCP	PLR		M	RG	1				4	5				PLANNED OBSOLESCE		N/A	N/A	N/A	N/A
VOID KEY	33472-0835																					
KEY A, BLACK, W/CPA	33472-0836	A-BLK	GCP	PLR	CPA	M	RG	1				4	5				PLANNED OBSOLESCE		N/A	N/A	N/A	N/A
KEY B, LIGHT GRAY, W/CPA	33472-0837	B-LG	GCP	PLR	CPA	M	RG	1				4	5				PLANNED OBSOLESCE		N/A	N/A	N/A	N/A
KEY C, BROWN, W/CPA	33472-0838	C-BR	GCP	PLR	CPA	M	RG	1				4	5				PLANNED OBSOLESCE		N/A	N/A	N/A	N/A
KEY D, GREEN, W/CPA	33472-0839	D-GR	GCP	PLR	CPA	M	RG	1				4	5				PLANNED OBSOLESCE		N/A	N/A	N/A	N/A
VOID KEY	33472-0840																					
KEY A, BLACK, W/O CPA	33472-0841	A-BLK	GCP	PLR		M	RG	1				4	5			8	PLANNED OBSOLESCE		N/A	N/A	N/A	N/A
KEY B, LIGHT GRAY, W/O CPA	33472-0842	B-LG	GCP	PLR		M	RG	1				4	5			8	PLANNED OBSOLESCE		N/A	N/A	N/A	N/A
KEY C, BROWN, W/O CPA	33472-0843	C-BR	GCP	PLR		M	RG	1				4	5			8	PLANNED OBSOLESCE		N/A	N/A	N/A	N/A
KEY D, GREEN, W/O CPA	33472-0844	D-GR	GCP	PLR		M	RG	1				4	5			8	PLANNED OBSOLESCE		N/A	N/A	N/A	N/A
VOID KEY	33472-0845																					
KEY A, BLACK, W/CPA	33472-0846	A-BLK	GCP	PLR	CPA	M	RG	1				4	5			8	PLANNED OBSOLESCE		N/A	N/A	N/A	N/A
KEY B, LIGHT GRAY, W/CPA	33472-0847	B-LG	GCP	PLR	CPA	M	RG	1				4	5			8	PLANNED OBSOLESCE		N/A	N/A	N/A	N/A
KEY C, BROWN, W/CPA	33472-0848	C-BR	GCP	PLR	CPA	M	RG	1				4	5			8	PLANNED OBSOLESCE		N/A	N/A	N/A	N/A
KEY D, GREEN, W/CPA	33472-0849	D-GR	GCP	PLR	CPA	M	RG	1				4	5			8	PLANNED OBSOLESCE		N/A	N/A	N/A	N/A
VOID KEY	33472-0850																					





**MX150 RECEPTACLE 2X4 SEALED ASSEMBLY MAT SEAL  
BOM AND PIN OUT SHEET**

ASSEMBLY DESCRIPTION	ASSEMBLY PART NUMBER	COMPONENT						BLOCKED TERMINALS								STATUS	COMMENTS	OPTIONAL ATTACHMENTS SOLD SEPERATELY				
		THE PRESENCE OF AN ABBREVIATION INDICATES THE PRESENCE OF THAT COMPONENT.						CAVITY WITH A NUMBER INDICATES BLOCKED TERMINAL POSITION CAVITY WITHOUT A NUMBER INDICATES OPEN TERMINAL POSITION										BACKSHELL WITH RIBS	BACKSHELL WITHOUT RIBS	90° ADAPTOR WITH RIBS	90° ADAPTOR WITHOUT RIBS	
		HOUSING KEY/COLOR	GROMMET CAP	PLR	CPA	MAT SEAL	RING SEAL	1	2	3	4	5	6	7	8							
KEY A, BLACK, W/O CPA	33472-0851	A-BLK	GCP	PLR		M	RG	1	2	3	4	5	6	7	8	PLANNED OBSOLESCENCE		N/A	N/A	N/A	N/A	
KEY B, LIGHT GRAY, W/O CPA	33472-0852	B-LG	GCP	PLR		M	RG	1	2	3	4	5	6	7	8	PLANNED OBSOLESCENCE		N/A	N/A	N/A	N/A	
KEY C, BROWN, W/O CPA	33472-0853	C-BR	GCP	PLR		M	RG	1	2	3	4	5	6	7	8	PLANNED OBSOLESCENCE		N/A	N/A	N/A	N/A	
KEY D, GREEN, W/O CPA	33472-0854	D-GR	GCP	PLR		M	RG	1	2	3	4	5	6	7	8	PLANNED OBSOLESCENCE		N/A	N/A	N/A	N/A	
KEY D, BLACK, W/O CPA	33472-0855	D-BLK	GCP	PLR		M	RG	1	2	3	4	5	6	7	8	PLANNED OBSOLESCENCE		N/A	N/A	N/A	N/A	
KEY A, BLACK, W/CPA	33472-0856	A-BLK	GCP	PLR	CPA	M	RG		2				6	7		PLANNED OBSOLESCENCE		N/A	N/A	N/A	N/A	
KEY A, BLACK, W/CPA	33472-0857	A-BLK	GCP	PLR	CPA	M	RG	1	2				5	6	7	PLANNED OBSOLESCENCE		N/A	N/A	N/A	N/A	
KEY A, BLACK, W/CPA	33472-0858	A-BLK	GCP	PLR	CPA	M	RG	1	2	3			5	6	7	PLANNED OBSOLESCENCE		N/A	N/A	N/A	N/A	
KEY A, BLACK, W/O CPA	33472-0859	A-BLK	GCP	PLR		M	RG	1	2	3				6	7	8	PLANNED OBSOLESCENCE		N/A	N/A	N/A	N/A
KEY D, BLACK, W/O CPA	33472-0860	D-BLK	GCP	PLR		M	RG				4					PLANNED OBSOLESCENCE		N/A	N/A	N/A	N/A	
KEY A, BLACK, W/O CPA	33472-0861	A-BLK	GCP	PLR		M	RG								8	PLANNED OBSOLESCENCE		N/A	N/A	N/A	N/A	
KEY A, BLACK, W/O CPA	33472-0862	A-BLK	GCP	PLR		M	RG	1								PLANNED OBSOLESCENCE		N/A	N/A	N/A	N/A	
KEY A, BLACK, W/O CPA	33472-0863	A-BLK	GCP	PLR		M	RG		2						8	PLANNED OBSOLESCENCE		N/A	N/A	N/A	N/A	
KEY A, BLACK, W/O CPA	33472-0864	A-BLK	GCP	PLR		M	RG	1		3			5			PLANNED OBSOLESCENCE		N/A	N/A	N/A	N/A	
KEY A, BLACK, W/O CPA	33472-0865	A-BLK	GCP	PLR		M	RG	1						6		PLANNED OBSOLESCENCE		N/A	N/A	N/A	N/A	
KEY A, BLACK, W/O CPA	33472-0866	A-BLK	GCP	PLR		M	RG		2				5	6	8	PLANNED OBSOLESCENCE		N/A	N/A	N/A	N/A	
KEY A, BLACK, W/O CPA	33472-0867	A-BLK	GCP	PLR		M	RG	1		3			5	6		PLANNED OBSOLESCENCE		N/A	N/A	N/A	N/A	
KEY A, BLACK, W/O CPA	33472-0868	A-BLK	GCP	PLR		M	RG						5	6	8	PLANNED OBSOLESCENCE		N/A	N/A	N/A	N/A	
KEY A, BLACK, W/O CPA	33472-0869	A-BLK	GCP	PLR		M	RG							6		PLANNED OBSOLESCENCE		N/A	N/A	N/A	N/A	
KEY A, BLACK, W/O CPA	33472-0870	A-BLK	GCP	PLR		M	RG	1					5	6	7	8	PLANNED OBSOLESCENCE		N/A	N/A	N/A	N/A
KEY A, BLACK, W/O CPA	33472-0871	A-BLK	GCP	PLR		M	RG		2	3	4	5	6	7	8	PLANNED OBSOLESCENCE		N/A	N/A	N/A	N/A	
KEY A, BLACK, W/O CPA	33472-0872	A-BLK	GCP	PLR		M	RG									PLANNED OBSOLESCENCE		N/A	N/A	N/A	N/A	
KEY A, BLACK, W/O CPA	33472-0873	A-BLK	GCP	PLR		M	RG		2	3				6	7	8	PLANNED OBSOLESCENCE		N/A	N/A	N/A	N/A
KEY A, BLACK, W/O CPA	33472-0874	A-BLK	GCP	PLR		M	RG		2	3						PLANNED OBSOLESCENCE		N/A	N/A	N/A	N/A	
KEY A, BLACK, W/O CPA	33472-0875	A-BLK	GCP	PLR		M	RG	1			4					PLANNED OBSOLESCENCE		N/A	N/A	N/A	N/A	
KEY A, BLACK, W/O CPA	33472-0876	A-BLK	GCP	PLR		M	RG		2	3			5	6	7	8	PLANNED OBSOLESCENCE		N/A	N/A	N/A	N/A
KEY A, BLACK, W/CPA	33472-0877	A-BLK	GCP	PLR	CPA	M	RG								8	PLANNED OBSOLESCENCE		N/A	N/A	N/A	N/A	
KEY A, BLACK, W/O CPA	33472-0878	A-BLK	GCP	PLR		M	RG			3			5	6		PLANNED OBSOLESCENCE		N/A	N/A	N/A	N/A	
KEY C, DARK GRAY, W/O CPA	33472-0879	C-DG	GCO	PLR		M	RG									PLANNED OBSOLESCENCE		N/A	N/A	N/A	N/A	
KEY D, STONE GRAY, W/O CPA	33472-0880	D-SG	GCO	PLR		M	RG									PLANNED OBSOLESCENCE		N/A	N/A	N/A	N/A	
KEY C, DARK GRAY, W/CPA	33472-0881	C-DG	GCO	PLR	CPA	M	RG									PLANNED OBSOLESCENCE		N/A	N/A	N/A	N/A	
KEY D, STONE GRAY, W/CPA	33472-0882	D-SG	GCO	PLR	CPA	M	RG									PLANNED OBSOLESCENCE		N/A	N/A	N/A	N/A	
KEY A, BLACK, W/O CPA	33472-0883	A-BLK	GCP	PLR		M	RG		2	3	4	5			7	8	PLANNED OBSOLESCENCE		N/A	N/A	N/A	N/A
KEY A, BLACK, W/O CPA	33472-0884	A-BLK	GCP	PLR		M	RG			3				6	7		PLANNED OBSOLESCENCE		N/A	N/A	N/A	N/A
KEY A, BLACK, W/O CPA	33472-0885	A-BLK	GCP	PLR		M	RG		2	3	4	5	6		8	PLANNED OBSOLESCENCE		N/A	N/A	N/A	N/A	
KEY A, BLACK, W/O CPA	33472-0886	A-BLK	GCP	PLR		M	RG			3				6		8	PLANNED OBSOLESCENCE		N/A	N/A	N/A	N/A
KEY B, LIGHT GRAY, W/CPA	33472-0887	B-LG	GCP	PLR	CPA	M	RG								8	PLANNED OBSOLESCENCE		N/A	N/A	N/A	N/A	
KEY B, LIGHT GRAY, W/O CPA	33472-0888	B-LG	GCP	PLR		M	RG	1						6		PLANNED OBSOLESCENCE		N/A	N/A	N/A	N/A	
KEY A, BLACK, W/O CPA	33472-0889	A-BLK	GCP	PLR		M	RG	1					5			PLANNED OBSOLESCENCE		N/A	N/A	N/A	N/A	
KEY A, YELLOW, W/CPA	33472-0890	A-YW	GCP	PLR	CPA	M	RG		2	3						PLANNED OBSOLESCENCE		N/A	N/A	N/A	N/A	
KEY A, YELLOW, W/CPA	33472-0891	A-YW	GCO	PLR	CPA	M	RG									PLANNED OBSOLESCENCE		N/A	N/A	N/A	N/A	
KEY A, YELLOW, W/O CPA	33472-0892	A-YW	GCO	PLR		M	RG									PLANNED OBSOLESCENCE		N/A	N/A	N/A	N/A	
KEY A, BLACK, W/CPA	33472-0893	A-BLK	GCP	PLR	CPA	M	RG							6		PLANNED OBSOLESCENCE		N/A	N/A	N/A	N/A	
KEY A, BLACK, W/CPA	33472-0894	A-BLK	GCP	PLR	CPA	M	RG	1	2	3					7	8	PLANNED OBSOLESCENCE		N/A	N/A	N/A	N/A
KEY A, BLACK, W/O CPA	33472-0895	A-BLK	GCP	PLR		M	RG	1	2							PLANNED OBSOLESCENCE		N/A	N/A	N/A	N/A	
KEY A, BLACK, W/O CPA	33472-1001	A-BLK	GCP	PLR		M	RG	1	2	3	4					PLANNED OBSOLESCENCE		N/A	N/A	N/A	N/A	
KEY B, LIGHT GRAY, W/O CPA	33472-1002	B-LG	GCP	PLR		M	RG								6	PLANNED OBSOLESCENCE		N/A	N/A	N/A	N/A	
KEY A, BLACK, W/O CPA	33472-1003	A-BLK	GCP	PLR		M	RG	1			4					PLANNED OBSOLESCENCE		N/A	N/A	N/A	N/A	
KEY A, BLACK, W/O CPA	33472-1004	A-BLK	GCP	PLR		M	RG		2	3			5	6	7	8	PLANNED OBSOLESCENCE		N/A	N/A	N/A	N/A
KEY A, BLACK, W/CPA	33472-1005	A-BLK	GCP	PLR	CPA	M	RG								8	PLANNED OBSOLESCENCE		N/A	N/A	N/A	N/A	
KEY A, BLACK, W/O CPA	33472-1006	A-BLK	GCP	PLR		M	RG	1	2	3	4	5	6			PLANNED OBSOLESCENCE		N/A	N/A	N/A	N/A	
KEY A, BLACK, W/CPA	33472-1007	A-BLK	GCP	PLR	CPA	M	RG							6	7	PLANNED OBSOLESCENCE		N/A	N/A	N/A	N/A	
KEY A, BLACK, W/CPA	33472-1008	A-BLK	GCP	PLR	CPA	M	RG								7	PLANNED OBSOLESCENCE		N/A	N/A	N/A	N/A	
KEY D, STONE GRAY, W/CPA	33472-1009	D-SG	GCP	PLR	CPA	M	RG				4					PLANNED OBSOLESCENCE		N/A	N/A	N/A	N/A	
KEY D, STONE GRAY, W/CPA	33472-1010	D-SG	GCP	PLR	CPA	M	RG				4	5				PLANNED OBSOLESCENCE		N/A	N/A	N/A	N/A	
KEY D, STONE GRAY, W/CPA	33472-1011	D-SG	GCP	PLR	CPA	M	RG				4	5	6			PLANNED OBSOLESCENCE		N/A	N/A	N/A	N/A	
KEY A, BLACK, W/O CPA	33472-1012	A-BLK	GCP	PLR		M	RG								7	8	PLANNED OBSOLESCENCE		N/A	N/A	N/A	N/A
KEY A, BLACK, W/CPA	33472-1013	A-BLK	GCP	PLR	CPA	M	RG			3	4	5	6	7	8	PLANNED OBSOLESCENCE		N/A	N/A	N/A	N/A	
KEY A, BLACK, W/O CPA	33472-1014	A-BLK	GCP	PLR		M	RG			3	4	5	6	7	8	PLANNED OBSOLESCENCE		N/A	N/A	N/A	N/A	
KEY A, BLACK, W/CPA	33472-1015	A-BLK	GCP	PLR	CPA	M	RG				4				7	8	PLANNED OBSOLESCENCE		N/A	N/A	N/A	N/A
KEY A, BLACK, W/O CPA	33472-1016	A-BLK	GCP	PLR		M	RG								7	8	PLANNED OBSOLESCENCE		N/A	N/A	N/A	N/A
KEY A, BLACK, W/O CPA	33472-1017	A-BLK	GCP	PLR		M	RG	1			3	4				8	PLANNED OBSOLESCENCE		N/A	N/A	N/A	N/A
KEY A, BLACK, W/CPA	33472-1018	A-BLK	GCP	PLR	CPA	M	RG						5	6	7	8	PLANNED OBSOLESCENCE		N/A	N/A	N/A	N/A
KEY A, BLACK, W/CPA	33472-1019	A-BLK	GCP	PLR	CPA	M	RG								7	8	PLANNED OBSOLESCENCE		N/A	N/A	N/A	N/A
KEY A, BLACK, W/CPA	33472-1020	A-BLK	GCP	PLR	CPA	M	RG		2	3	4			6	7	8	PLANNED OBSOLESCENCE		N/A	N/A	N/A	N/A
KEY A, BLACK, W/CPA	33472-1021	A-BLK	GCP	PLR	CPA	M	RG	1	2	3	4	5	6	7	8	PLANNED OBSOLESCENCE		N/A	N/A	N/A	N/A	
KEY A, BLACK, W/CPA	33472-1022	A-BLK	GCP	PLR	CPA	M	RG	1					5			PLANNED OBSOLESCENCE		N/A	N/A	N/A	N/A	
KEY A, BLACK, W/O CPA	33472-1023	A-BLK	GCP	PLR		M	RG						5	6	7	8	PLANNED OBSOLESCENCE		N/A	N/A	N/A	N/A
KEY A, BLACK, W/O CPA	33472-1024	A-BLK	GCP	PLR		M	RG				3	4				PLANNED OBSOLESCENCE		N/A	N/A	N/A	N/A	
KEY D, STONE GRAY, W/O CPA	33472-1025	D-SG	GCP	PLR		M	RG				4	5	6			PLANNED OBSOLESCENCE		N/A	N/A	N/A	N/A	
KEY D, STONE GRAY, W/O CPA	33472-1026	D-SG	GCP	PLR		M	RG				4					PLANNED OBSOLESCENCE		N/A	N/A	N/A	N/A	
KEY B, LIGHT GRAY, W/O CPA	33472-1027	B-LG	GCP	PLR		M	RG								7	8	PLANNED OBSOLESCENCE		N/A	N/A	N/A	N/A
KEY A, BLACK, W/O CPA	33472-1028	A-BLK	GCP	PLR		M	RG	1	2	3	4					8	PLANNED OBSOLESCENCE		N/A	N/A	N/A	N/A
KEY A, BLACK, W/O CPA	33472-1029	A-BLK	GCP	PLR		M	RG			3	4					8	PLANNED OBSOLESCENCE		N/A	N/A	N/A	N/A
KEY A, BLACK, W/O CPA	33472-1030	A-BLK	GCP	PLR		M	RG	1	2	3	4	5			7	PLANNED OBSOLESCENCE		N/A	N/A	N/A	N/A	
KEY A, BLACK, W/O CPA	33472-1031	A-BLK	GCP	PLR		M	RG						5			PLANNED OBSOLESCENCE		N/A	N/A	N/A	N/A	
KEY A, BLACK, W/O CPA	33472-1032	A-BLK	GCP	PLR		M	RG		2				5			PLANNED OBSOLESCENCE		N/A	N/A	N/A	N/A	
KEY B, LIGHT GRAY, W/O CPA	33472-1033	B-LG	GCP	PLR		M	RG	1			3					8	PLANNED OBSOLESCENCE		N/A	N/A	N/A	N/A
KEY B, LIGHT GRAY, W/O CPA	33472-1034	B-LG	GCP	PLR		M	RG				3					8	PLANNED OBSOLESCENCE		N/A	N/A	N/A	N/A
KEY B, LIGHT GRAY, W/O CPA	33472-1035	B-LG	GCP	PLR		M	RG	1	</													

MX150 RECEPTACLE 2X4 SEALED ASSEMBLY MAT SEAL  
BOM AND PIN OUT SHEET

ASSEMBLY DESCRIPTION	ASSEMBLY PART NUMBER	COMPONENT							BLOCKED TERMINALS								STATUS	COMMENTS	OPTIONAL ATTACHMENTS SOLD SEPERATELY			
		THE PRESENCE OF AN ABBREVIATION INDICATES THE PRESENCE OF THAT COMPONENT.							CAVITY WITH A NUMBER INDICATES BLOCKED TERMINAL POSITION CAVITY WITHOUT A NUMBER INDICATES OPEN TERMINAL POSITION										BACKSHELL WITH RIBS	BACKSHELL WITHOUT RIBS	90° ADAPTOR WITH RIBS	90° ADAPTOR WITHOUT RIBS
		HOUSING KEY/COLOR	GROMMET CAP	PLR	CPA	MAT SEAL	RING SEAL	1	2	3	4	5	6	7	8							
KEY A, BLACK, W/O CPA	33472-1037	A-BLK	GCP	PLR		M	RG							6		8	PLANNED OBSOLESCENCE		N/A	N/A	N/A	N/A
KEY A, BLACK, W/O CPA	33472-1038	A-BLK	GCP	PLR		M	RG	1				4	5	6	7	8	PLANNED OBSOLESCENCE		N/A	N/A	N/A	N/A
KEY A, BLACK, W/O CPA	33472-1039	A-BLK	GCP	PLR		M	RG		2							7	PLANNED OBSOLESCENCE		N/A	N/A	N/A	N/A
KEY B, LIGHT GRAY, W/O CPA	33472-1040	B-LG	GCP	PLR		M	RG						5		7		PLANNED OBSOLESCENCE		N/A	N/A	N/A	N/A
KEY A, BLACK, W/O CPA	33472-1041	A-BLK	GCP	PLR		M	RG					4	5	6	7	8	PLANNED OBSOLESCENCE		N/A	N/A	N/A	N/A
KEY A, BLACK, W/O CPA	33472-1042	A-BLK	GCP	PLR		M	RG						5			8	PLANNED OBSOLESCENCE		N/A	N/A	N/A	N/A
KEY A, BLACK, W/O CPA	33472-1043	A-BLK	GCP	PLR		M	RG		2			4	5	6			PLANNED OBSOLESCENCE		N/A	N/A	N/A	N/A
KEY A, BLACK, W/O CPA	33472-1044	A-BLK	GCP	PLR		M	RG	1	2	3	4			6	7		PLANNED OBSOLESCENCE		N/A	N/A	N/A	N/A
KEY A, BLACK, W/O CPA	33472-1045	A-BLK	GCP	PLR		M	RG					4		6			PLANNED OBSOLESCENCE		N/A	N/A	N/A	N/A
KEY A, BLACK, W/CPA	33472-1046	A-BLK	GCP	PLR	CPA	M	RG	1							7		PLANNED OBSOLESCENCE		N/A	N/A	N/A	N/A
KEY B, LIGHT GRAY, W/O CPA	33472-1047	B-LG	GCP	PLR		M	RG						5				PLANNED OBSOLESCENCE		N/A	N/A	N/A	N/A
KEY A, BLACK, W/O CPA	33472-1048	A-BLK	GCP	PLR		M	RG	1	2					5	6	8	PLANNED OBSOLESCENCE		N/A	N/A	N/A	N/A
KEY A, BLACK, W/O CPA	33472-1049	A-BLK	GCP	PLR		M	RG	1	2							8	PLANNED OBSOLESCENCE		N/A	N/A	N/A	N/A
KEY A, BLACK, W/O CPA	33472-1050	A-BLK	GCP	PLR		M	RG					4	5	6			PLANNED OBSOLESCENCE		N/A	N/A	N/A	N/A
KEY A, BLACK, W/O CPA	33472-1051	A-BLK	GCP	PLR		M	RG	1	2	3				6			PLANNED OBSOLESCENCE		N/A	N/A	N/A	N/A
KEY A, BLACK, W/O CPA	33472-1052	A-BLK	GCP	PLR		M	RG					4	5		7	8	PLANNED OBSOLESCENCE		N/A	N/A	N/A	N/A
KEY A, BLACK, W/O CPA	33472-1053	A-BLK	GCP	PLR		M	RG			3	4				7	8	PLANNED OBSOLESCENCE		N/A	N/A	N/A	N/A
KEY A, BLACK, W/O CPA	33472-1054	A-BLK	GCP	PLR		M	RG	1		3	4				7	8	PLANNED OBSOLESCENCE		N/A	N/A	N/A	N/A
KEY A, BLACK, W/O CPA	33472-1055	A-BLK	GCP	PLR		M	RG					4				8	PLANNED OBSOLESCENCE		N/A	N/A	N/A	N/A
KEY A, BLACK, W/O CPA	33472-1056	A-BLK	GCP	PLR		M	RG					4	5			8	PLANNED OBSOLESCENCE		N/A	N/A	N/A	N/A
KEY D, STONE GRAY, W/O CPA	33472-1057	D-SG	GCP	PLR		M	RG	1	2	3	4	5	6	7	8		PLANNED OBSOLESCENCE		N/A	N/A	N/A	N/A
KEY A, BLACK, W/CPA	33472-1058	A-BLK	GCP	PLR	CPA	M	RG		2				5			8	PLANNED OBSOLESCENCE		N/A	N/A	N/A	N/A
KEY B, LIGHT GRAY, W/O CPA	33472-1059	B-LG	GCP	PLR		M	RG		2						7		PLANNED OBSOLESCENCE		N/A	N/A	N/A	N/A
KEY B, LIGHT GRAY, W/O CPA	33472-1060	B-LG	GCP	PLR		M	RG		2								PLANNED OBSOLESCENCE		N/A	N/A	N/A	N/A
KEY A, BLACK, W/O CPA	33472-1061	A-BLK	GCP	PLR		M	RG		2	3	4			6	7	8	PLANNED OBSOLESCENCE		N/A	N/A	N/A	N/A
KEY A, BLACK, W/O CPA	33472-1062	A-BLK	GCP	PLR		M	RG		2	3				6	7		PLANNED OBSOLESCENCE		N/A	N/A	N/A	N/A
KEY A, BLACK, WITH CLIPSLOT, W/O CPA	33472-0901	A-BLK-CLIP	GCO	PLR		M	RG										PLANNED OBSOLESCENCE		34951-0811	34951-0821	34951-0831	34951-0841
KEY B, LIGHT GRAY, WITH CLIPSLOT, W/O CPA	33472-0902	B-LG-CLIP	GCO	PLR		M	RG										PLANNED OBSOLESCENCE		34951-0811	34951-0821	34951-0831	34951-0841
KEY C, BROWN, WITH CLIPSLOT, W/O CPA	33472-0903	C-BR-CLIP	GCO	PLR		M	RG										PLANNED OBSOLESCENCE	SEE P/N 33472-0922	34951-0811	34951-0821	34951-0831	34951-0841
KEY D, GREEN, WITH CLIPSLOT, W/O CPA	33472-0904	D-GR-CLIP	GCO	PLR		M	RG										PLANNED OBSOLESCENCE	SEE P/N 33472-0923	34951-0811	34951-0821	34951-0831	34951-0841
KEY D, BLACK, WITH CLIPSLOT, W/O CPA	33472-0905	D-BLK-CLIP	GCO	PLR		M	RG										PLANNED OBSOLESCENCE		34951-0811	34951-0821	34951-0831	34951-0841
KEY A, BLACK, WITH CLIPSLOT, W/CPA	33472-0906	A-BLK-CLIP	GCO	PLR	CPA	M	RG										PLANNED OBSOLESCENCE		34951-0811	34951-0821	34951-0831	34951-0841
KEY B, LIGHT GRAY, WITH CLIPSLOT, W/CPA	33472-0907	B-LG-CLIP	GCO	PLR	CPA	M	RG										PLANNED OBSOLESCENCE		34951-0811	34951-0821	34951-0831	34951-0841
KEY C, BROWN, WITH CLIPSLOT, W/CPA	33472-0908	C-BR-CLIP	GCO	PLR	CPA	M	RG										PLANNED OBSOLESCENCE	SEE P/N 33472-0924	34951-0811	34951-0821	34951-0831	34951-0841
KEY D, GREEN, WITH CLIPSLOT, W/CPA	33472-0909	D-GR-CLIP	GCO	PLR	CPA	M	RG										PLANNED OBSOLESCENCE	SEE P/N 33472-0925	34951-0811	34951-0821	34951-0831	34951-0841
KEY A, BLACK, WITH CLIPSLOT, W/O CPA	33472-0910	A-BLK-CLIP	GCP	PLR		M	RG					4					PLANNED OBSOLESCENCE		34951-0811	34951-0821	34951-0831	34951-0841
KEY A, BLACK, WITH CLIPSLOT, W/O CPA	33472-0920	A-BLK-CLIP	GCP	PLR		M	RG					4				8	PLANNED OBSOLESCENCE		34951-0811	34951-0821	34951-0831	34951-0841
KEY A, BLACK, WITH CLIPSLOT, W/O CPA	33472-0921	A-BLK-CLIP	GCP	PLR		M	RG									8	PLANNED OBSOLESCENCE		34951-0811	34951-0821	34951-0831	34951-0841
KEY C, DARK GRAY, WITH CLIPSLOT, W/O CPA	33472-0922	C-DG-CLIP	GCO	PLR		M	RG										PLANNED OBSOLESCENCE		34951-0811	34951-0821	34951-0831	34951-0841
KEY D, STONE GRAY, WITH CLIPSLOT, W/O CPA	33472-0923	D-SG-CLIP	GCO	PLR		M	RG										PLANNED OBSOLESCENCE		34951-0811	34951-0821	34951-0831	34951-0841
KEY C, DARK GRAY, WITH CLIPSLOT, W/CPA	33472-0924	C-DG-CLIP	GCO	PLR	CPA	M	RG										PLANNED OBSOLESCENCE		34951-0811	34951-0821	34951-0831	34951-0841
KEY D, STONE GRAY, WITH CLIPSLOT, W/CPA	33472-0925	D-SG-CLIP	GCO	PLR	CPA	M	RG										PLANNED OBSOLESCENCE		34951-0811	34951-0821	34951-0831	34951-0841
KEY B, LIGHT GRAY, WITH CLIPSLOT, W/O CPA	33472-0926	B-LG-CLIP	GCP	PLR		M	RG					4					PLANNED OBSOLESCENCE		34951-0811	34951-0821	34951-0831	34951-0841
KEY A, BLACK, WITH CLIPSLOT, W/CPA	33472-0927	A-BLK-CLIP	GCP	PLR	CPA	M	RG					4				8	PLANNED OBSOLESCENCE		34951-0811	34951-0821	34951-0831	34951-0841
KEY B, LIGHT GRAY, WITH CLIPSLOT, W/CPA	33472-0928	B-LG-CLIP	GCP	PLR	CPA	M	RG					4				8	PLANNED OBSOLESCENCE		34951-0811	34951-0821	34951-0831	34951-0841
KEY A, BLACK, WITH CLIPSLOT, W/O CPA	33472-0929	A-BLK-CLIP	GCP	PLR		M	RG					4	5		7	8	PLANNED OBSOLESCENCE		34951-0811	34951-0821	34951-0831	34951-0841
KEY A, BLACK, WITH CLIPSLOT, W/O CPA	33472-0930	A-BLK-CLIP	GCP	PLR		M	RG		2	3	4	5			7	8	PLANNED OBSOLESCENCE		34951-0811	34951-0821	34951-0831	34951-0841
KEY A, BLACK, WITH CLIPSLOT, W/O CPA	33472-0931	A-BLK-CLIP	GCP	PLR		M	RG	1	2	3				6			PLANNED OBSOLESCENCE		34951-0811	34951-0821	34951-0831	34951-0841
KEY A, BLACK, WITH CLIPSLOT, W/O CPA	33472-0932	A-BLK-CLIP	GCP	PLR		M	RG	1						6			PLANNED OBSOLESCENCE		34951-0811	34951-0821	34951-0831	34951-0841
KEY A, BLACK, WITH CLIPSLOT, W/CPA	33472-0933	A-BLK-CLIP	GCP	PLR	CPA	M	RG									8	PLANNED OBSOLESCENCE		34951-0811	34951-0821	34951-0831	34951-0841
KEY B, LIGHT GRAY, WITH CLIPSLOT, W/CPA	33472-0934	B-LG-CLIP	GCP	PLR	CPA	M	RG									8	PLANNED OBSOLESCENCE		34951-0811	34951-0821	34951-0831	34951-0841
KEY A, BLACK, WITH CLIPSLOT, W/CPA	33472-0935	A-BLK-CLIP	GCP	PLR	CPA	M	RG			2	3	4		6	7	8	PLANNED OBSOLESCENCE		34951-0811	34951-0821	34951-0831	34951-0841
KEY A, BLACK, WITH CLIPSLOT, W/O CPA	33472-0936	A-BLK-CLIP	GCP	PLR		M	RG							6	7	8	PLANNED OBSOLESCENCE		34951-0811	34951-0821	34951-0831	34951-0841
KEY A, BLACK, WITH CLIPSLOT, W/O CPA	33472-0937	A-BLK-CLIP	GCP	PLR		M	RG						5			8	PLANNED OBSOLESCENCE		34951-0811	34951-0821	34951-0831	34951-0841
KEY A, BLACK, WITH CLIPSLOT, W/O CPA	33472-0938	A-BLK-CLIP	GCP	PLR		M	RG						5				PLANNED OBSOLESCENCE		34951-0811	34951-0821	34951-0831	34951-0841
KEY A, BLACK, WITH CLIPSLOT, W/O CPA	33472-0939	A-BLK-CLIP	GCP	PLR		M	RG					4	5	6	7	8	PLANNED OBSOLESCENCE		34951-0811	34951-0821	34951-0831	34951-0841
KEY A, BLACK, WITH CLIPSLOT, W/O CPA	33472-0940	A-BLK-CLIP	GCP	PLR		M	RG	1	2					5	6		PLANNED OBSOLESCENCE		34951-0811	34951-0821	34951-0831	34951-0841
KEY A, BLACK, WITH CLIPSLOT, W/O CPA	33472-0941	A-BLK-CLIP	GCP	PLR		M	RG	1	2	3	4	5	6				PLANNED OBSOLESCENCE		34951-0811	34951-0821	34951-0831	34951-0841
KEY A, BLACK, WITH CLIPSLOT, W/O CPA	33472-0944	A-BLK-CLIP	GCP	PLR		M	RG					4	5		7		PLANNED OBSOLESCENCE		34951-0811	34951-0821	34951-0831	34951-0841
KEY A, BLACK, WITH CLIPSLOT, W/O CPA	33472-0945	A-BLK-CLIP	GCP	PLR		M	RG								7		PLANNED OBSOLESCENCE		34951-0811	34951-0821	34951-0831	34951-0841
KEY A, BLACK, WITH CLIPSLOT, W/O CPA	33472-0946	A-BLK-CLIP	GCP	PLR		M	RG				3				7		PLANNED OBSOLESCENCE		34951-0811	34951-0821	34951-0831	34951-0841
KEY A, BLACK, WITH CLIPSLOT, W/O CPA	33472-0947	A-BLK-CLIP	GCP	PLR		M	RG	1			3	4	5	6	7	8	PLANNED OBSOLESCENCE		34951-0811	34951-0821	34951-0831	34951-0841
KEY A, BLACK, W/O CPA	33472-4801	A-BLK	GCO	PLR		M	RR										SALEABLE		N/A	N/A	N/A	N/A
KEY B, LIGHT GRAY, W/O CPA	33472-4802	B-LG	GCO	PLR		M	RR										SALEABLE		N/A	N/A	N/A	N/A
KEY C, BROWN, W/O CPA	33472-4803	C-BR	GCO	PLR		M	RR										NOT RECOMMENDED	SEE P/N 33472-4879	N/A	N/A	N/A	N/A
KEY D, GREEN, W/O CPA	33472-4804	D-GR	GCO	PLR		M	RR										NOT RECOMMENDED	SEE P/N 33472-4880	N/A	N/A	N/A	N/A
KEY D, BLACK, W/O CPA	33472-4805	D-BLK	GCO	PLR		M	RR										SALEABLE		N/A	N/A	N/A	N/A
KEY A, BLACK, W/CPA	33472-4806	A-BLK	GCO	PLR	CPA	M	RR										SALEABLE		N/A	N/A	N/A	N/A
KEY B, LIGHT GRAY, W/CPA	33472-																					

ASSEMBLY DESCRIPTION	ASSEMBLY PART NUMBER	COMPONENT						BLOCKED TERMINALS								STATUS	COMMENTS	OPTIONAL ATTACHMENTS SOLD SEPERATELY					
		THE PRESENCE OF AN ABBREVIATION INDICATES THE PRESENCE OF THAT COMPONENT.						CAVITY WITH A NUMBER INDICATES BLOCKED TERMINAL POSITION CAVITY WITHOUT A NUMBER INDICATES OPEN TERMINAL POSITION										BACKSHELL WITH RIBS	BACKSHELL WITHOUT RIBS	90° ADAPTOR WITH RIBS	90° ADAPTOR WITHOUT RIBS		
		HOUSING KEY/COLOR	GROMMET CAP	PLR	CPA	MAT SEAL	RING SEAL	1	2	3	4	5	6	7	8								
KEY D, GREEN, W/CPA	33472-4819	D-GR	GCP	PLR	CPA	M	RR				4						NOT RECOMMENDED	SEE P/N 33472-5009	N/A	N/A	N/A	N/A	
VOID KEY	33472-4820																						
KEY A, BLACK, W/O CPA	33472-4821	A-BLK	GCP	PLR		M	RR				4	5					SALEABLE		N/A	N/A	N/A	N/A	
KEY B, LIGHT GRAY, W/O CPA	33472-4822	B-LG	GCP	PLR		M	RR				4	5					SALEABLE		N/A	N/A	N/A	N/A	
KEY C, BROWN, W/O CPA	33472-4823	C-BR	GCP	PLR		M	RR				4	5					NOT RECOMMENDED		N/A	N/A	N/A	N/A	
KEY D, GREEN, W/O CPA	33472-4824	D-GR	GCP	PLR		M	RR				4	5					NOT RECOMMENDED		N/A	N/A	N/A	N/A	
VOID KEY	33472-4825																						
KEY A, BLACK, W/CPA	33472-4826	A-BLK	GCP	PLR	CPA	M	RR				4	5					SALEABLE		N/A	N/A	N/A	N/A	
KEY B, LIGHT GRAY, W/CPA	33472-4827	B-LG	GCP	PLR	CPA	M	RR				4	5					SALEABLE		N/A	N/A	N/A	N/A	
KEY C, BROWN, W/CPA	33472-4828	C-BR	GCP	PLR	CPA	M	RR				4	5					NOT RECOMMENDED		N/A	N/A	N/A	N/A	
KEY D, GREEN, W/CPA	33472-4829	D-GR	GCP	PLR	CPA	M	RR				4	5					NOT RECOMMENDED	SEE P/N 33472-5010	N/A	N/A	N/A	N/A	
VOID KEY	33472-4830																						
KEY A, BLACK, W/O CPA	33472-4831	A-BLK	GCP	PLR		M	RR	1			4	5					SALEABLE		N/A	N/A	N/A	N/A	
KEY B, LIGHT GRAY, W/O CPA	33472-4832	B-LG	GCP	PLR		M	RR	1			4	5					SALEABLE		N/A	N/A	N/A	N/A	
KEY C, BROWN, W/O CPA	33472-4833	C-BR	GCP	PLR		M	RR	1			4	5					NOT RECOMMENDED		N/A	N/A	N/A	N/A	
KEY D, GREEN, W/O CPA	33472-4834	D-GR	GCP	PLR		M	RR	1			4	5					NOT RECOMMENDED		N/A	N/A	N/A	N/A	
VOID KEY	33472-4835																						
KEY A, BLACK, W/CPA	33472-4836	A-BLK	GCP	PLR	CPA	M	RR	1			4	5					SALEABLE		N/A	N/A	N/A	N/A	
KEY B, LIGHT GRAY, W/CPA	33472-4837	B-LG	GCP	PLR	CPA	M	RR	1			4	5					SALEABLE		N/A	N/A	N/A	N/A	
KEY C, BROWN, W/CPA	33472-4838	C-BR	GCP	PLR	CPA	M	RR	1			4	5					NOT RECOMMENDED		N/A	N/A	N/A	N/A	
KEY D, GREEN, W/CPA	33472-4839	D-GR	GCP	PLR	CPA	M	RR	1			4	5					NOT RECOMMENDED		N/A	N/A	N/A	N/A	
VOID KEY	33472-4840																						
KEY A, BLACK, W/O CPA	33472-4841	A-BLK	GCP	PLR		M	RR	1			4	5				8	SALEABLE		N/A	N/A	N/A	N/A	
KEY B, LIGHT GRAY, W/O CPA	33472-4842	B-LG	GCP	PLR		M	RR	1			4	5				8	SALEABLE		N/A	N/A	N/A	N/A	
KEY C, BROWN, W/O CPA	33472-4843	C-BR	GCP	PLR		M	RR	1			4	5				8	NOT RECOMMENDED		N/A	N/A	N/A	N/A	
KEY D, GREEN, W/O CPA	33472-4844	D-GR	GCP	PLR		M	RR	1			4	5				8	NOT RECOMMENDED		N/A	N/A	N/A	N/A	
VOID KEY	33472-4845																						
KEY A, BLACK, W/CPA	33472-4846	A-BLK	GCP	PLR	CPA	M	RR	1			4	5				8	SALEABLE		N/A	N/A	N/A	N/A	
KEY B, LIGHT GRAY, W/CPA	33472-4847	B-LG	GCP	PLR	CPA	M	RR	1			4	5				8	SALEABLE		N/A	N/A	N/A	N/A	
KEY C, BROWN, W/CPA	33472-4848	C-BR	GCP	PLR	CPA	M	RR	1			4	5				8	NOT RECOMMENDED		N/A	N/A	N/A	N/A	
KEY D, GREEN, W/CPA	33472-4849	D-GR	GCP	PLR	CPA	M	RR	1			4	5				8	NOT RECOMMENDED		N/A	N/A	N/A	N/A	
VOID KEY	33472-4850																						
KEY A, BLACK, W/O CPA	33472-4851	A-BLK	GCP	PLR		M	RR	1	2	3	4	5	6	7	8		SALEABLE		N/A	N/A	N/A	N/A	
KEY B, LIGHT GRAY, W/O CPA	33472-4852	B-LG	GCP	PLR		M	RR	1	2	3	4	5	6	7	8		SALEABLE		N/A	N/A	N/A	N/A	
KEY C, BROWN, W/O CPA	33472-4853	C-BR	GCP	PLR		M	RR	1	2	3	4	5	6	7	8		NOT RECOMMENDED		N/A	N/A	N/A	N/A	
KEY D, GREEN, W/O CPA	33472-4854	D-GR	GCP	PLR		M	RR	1	2	3	4	5	6	7	8		NOT RECOMMENDED		N/A	N/A	N/A	N/A	
KEY D, BLACK, W/O CPA	33472-4855	D-BLK	GCP	PLR		M	RR	1	2	3	4	5	6	7	8		SALEABLE		N/A	N/A	N/A	N/A	
KEY A, BLACK, W/CPA	33472-4856	A-BLK	GCP	PLR	CPA	M	RR		2				6	7			SALEABLE		N/A	N/A	N/A	N/A	
KEY A, BLACK, W/CPA	33472-4857	A-BLK	GCP	PLR	CPA	M	RR	1	2			5	6	7			SALEABLE		N/A	N/A	N/A	N/A	
KEY A, BLACK, W/CPA	33472-4858	A-BLK	GCP	PLR	CPA	M	RR	1	2	3		5	6	7			SALEABLE		N/A	N/A	N/A	N/A	
KEY A, BLACK, W/O CPA	33472-4859	A-BLK	GCP	PLR		M	RR	1	2	3			6	7	8		SALEABLE		N/A	N/A	N/A	N/A	
KEY D, BLACK, W/O CPA	33472-4860	D-BLK	GCP	PLR		M	RR				4						SALEABLE		N/A	N/A	N/A	N/A	
KEY A, BLACK, W/O CPA	33472-4861	A-BLK	GCP	PLR		M	RR								8		SALEABLE		N/A	N/A	N/A	N/A	
KEY A, BLACK, W/O CPA	33472-4862	A-BLK	GCP	PLR		M	RR	1									SALEABLE		N/A	N/A	N/A	N/A	
KEY A, BLACK, W/O CPA	33472-4863	A-BLK	GCP	PLR		M	RR		2	3		5			8		SALEABLE		N/A	N/A	N/A	N/A	
KEY A, BLACK, W/O CPA	33472-4864	A-BLK	GCP	PLR		M	RR	1		3		5					SALEABLE		N/A	N/A	N/A	N/A	
KEY A, BLACK, W/O CPA	33472-4865	A-BLK	GCP	PLR		M	RR	1					6				SALEABLE		N/A	N/A	N/A	N/A	
KEY A, BLACK, W/O CPA	33472-4866	A-BLK	GCP	PLR		M	RR		2	3		5	6		8		SALEABLE		N/A	N/A	N/A	N/A	
KEY A, BLACK, W/O CPA	33472-4867	A-BLK	GCP	PLR		M	RR	1		3		5	6				SALEABLE		N/A	N/A	N/A	N/A	
KEY A, BLACK, W/O CPA	33472-4868	A-BLK	GCP	PLR		M	RR					5	6		8		SALEABLE		N/A	N/A	N/A	N/A	
KEY A, BLACK, W/O CPA	33472-4869	A-BLK	GCP	PLR		M	RR						6				SALEABLE		N/A	N/A	N/A	N/A	
KEY A, BLACK, W/O CPA	33472-4870	A-BLK	GCP	PLR		M	RR	1		3		5	6	7	8		SALEABLE		N/A	N/A	N/A	N/A	
KEY A, BLACK, W/O CPA	33472-4871	A-BLK	GCP	PLR		M	RR			2	3	4	5	6	7	8		SALEABLE		N/A	N/A	N/A	N/A
KEY A, BLACK, W/O CPA	33472-4872	A-BLK	GCP	PLR		M	RR								7	8		SALEABLE		N/A	N/A	N/A	N/A
KEY A, BLACK, W/O CPA	33472-4873	A-BLK	GCP	PLR		M	RR			2	3			6	7	8		SALEABLE		N/A	N/A	N/A	N/A
KEY A, BLACK, W/O CPA	33472-4874	A-BLK	GCP	PLR		M	RR			2	3						SALEABLE		N/A	N/A	N/A	N/A	
KEY A, BLACK, W/O CPA	33472-4875	A-BLK	GCP	PLR		M	RR	1				4					SALEABLE		N/A	N/A	N/A	N/A	
KEY A, BLACK, W/O CPA	33472-4876	A-BLK	GCP	PLR		M	RR			2	3		5	6	7	8		SALEABLE		N/A	N/A	N/A	N/A
KEY A, BLACK, W/CPA	33472-4877	A-BLK	GCP	PLR	CPA	M	RR									8		SALEABLE		N/A	N/A	N/A	N/A
KEY A, BLACK, W/O CPA	33472-4878	A-BLK	GCP	PLR		M	RR				3		5	6			SALEABLE		N/A	N/A	N/A	N/A	
KEY C, DARK GRAY, W/O CPA	33472-4879	C-DG	GCO	PLR		M	RR										SALEABLE		N/A	N/A	N/A	N/A	
KEY D, STONE GRAY, W/O CPA	33472-4880	D-SG	GCO	PLR		M	RR										SALEABLE		N/A	N/A	N/A	N/A	
KEY C, DARK GRAY, W/CPA	33472-4881	C-DG	GCO	PLR	CPA	M	RR										SALEABLE		N/A	N/A	N/A	N/A	
KEY D, STONE GRAY, W/CPA	33472-4882	D-SG	GCO	PLR	CPA	M	RR										SALEABLE		N/A	N/A	N/A	N/A	
KEY A, BLACK, W/O CPA	33472-4883	A-BLK	GCP	PLR		M	RR		2	3	4	5			7	8		SALEABLE		N/A	N/A	N/A	N/A
KEY A, BLACK, W/O CPA	33472-4884	A-BLK	GCP	PLR		M	RR			3			6	7			SALEABLE		N/A	N/A	N/A	N/A	
KEY A, BLACK, W/O CPA	33472-4885	A-BLK	GCP	PLR		M	RR			2	3	4	5	6			SALEABLE		N/A	N/A	N/A	N/A	
KEY A, BLACK, W/O CPA	33472-4886	A-BLK	GCP	PLR		M	RR				3		6			8		SALEABLE		N/A	N/A	N/A	N/A
KEY B, LIGHT GRAY, W/CPA	33472-4887	B-LG	GCP	PLR	CPA	M	RR								8		SALEABLE		N/A	N/A	N/A	N/A	
KEY B, LIGHT GRAY, W/O CPA	33472-4888	B-LG	GCP	PLR		M	RR	1						6			SALEABLE		N/A	N/A	N/A	N/A	
KEY A, BLACK, W/O CPA	33472-4889	A-BLK	GCP	PLR		M	RR	1					5				SALEABLE		N/A	N/A	N/A	N/A	
KEY A, YELLOW, W/CPA	33472-4890	A-YW	GCP	PLR	CPA	M	RR			2	3						SALEABLE		N/A	N/A	N/A	N/A	
KEY A, YELLOW, W/CPA	33472-4891	A-YW	GCO	PLR	CPA	M	RR										SALEABLE		N/A	N/A	N/A	N/A	
KEY A, YELLOW, W/O CPA	33472-4892	A-YW	GCO	PLR		M	RR										SALEABLE		N/A	N/A	N/A	N/A	
KEY A, BLACK, W/CPA	33472-4893	A-BLK	GCP	PLR	CPA	M	RR							6			SALEABLE		N/A	N/A	N/A	N/A	
KEY A, BLACK, W/CPA	33472-4894	A-BLK	GCP	PLR	CPA	M	RR	1		2	3				6	7	8	SALEABLE		N/A	N/A	N/A	N/A
KEY A, BLACK, W/O CPA	33472-4895	A-BLK	GCP	PLR		M	RR	1		2							SALEABLE		N/A	N/A	N/A	N/A	
KEY A, BLACK, W/O CPA	33472-5001	A-BLK	GCP	PLR		M	RR	1		2	3	4					SALEABLE		N/A	N/A	N/A	N/A	
KEY B, LIGHT GRAY, W/O CPA	33472-5002	B-LG	GCP	PLR		M	RR							6			SALEABLE		N/A	N/A	N/A	N/A	
KEY A, BLACK, W/O CPA	33472-5003	A-BLK	GCP	PLR		M	RR	1				4					SALEABLE		N/A	N/A	N/A	N/A	
KEY A, BLACK, W/O CPA	33472-5004	A-BLK	GCP	PLR		M	RR			2	3		5	6	7	8		SALEABLE		N/A	N/A	N/A	N/A



MX150 RECEPTACLE 2X4 SEALED ASSEMBLY MAT SEAL

BOM AND PIN OUT SHEET

ASSEMBLY DESCRIPTION	ASSEMBLY PART NUMBER	COMPONENT						BLOCKED TERMINALS								STATUS	COMMENTS	OPTIONAL ATTACHMENTS SOLD SEPERATELY					
		THE PRESENCE OF AN ABBREVIATION INDICATES THE PRESENCE OF THAT COMPONENT.						CAVITY WITH A NUMBER INDICATES BLOCKED TERMINAL POSITION CAVITY WITHOUT A NUMBER INDICATES OPEN TERMINAL POSITION										BACKSHELL WITH RIBS	BACKSHELL WITHOUT RIBS	90° ADAPTOR WITH RIBS	90° ADAPTOR WITHOUT RIBS		
		HOUSING KEY/COLOR	GROMMET CAP	PLR	CPA	MAT SEAL	RING SEAL	1	2	3	4	5	6	7	8								
KEY A, BLACK, W/CPA	33472-5005	A-BLK	GCP	PLR	CPA	M	RR								8	SALEABLE		N/A	N/A	N/A	N/A		
KEY A, BLACK, W/O CPA	33472-5006	A-BLK	GCP	PLR	CPA	M	RR	1	2	3	4	5	6			SALEABLE		N/A	N/A	N/A	N/A		
KEY A, BLACK, W/CPA	33472-5007	A-BLK	GCP	PLR	CPA	M	RR							6	7	SALEABLE		N/A	N/A	N/A	N/A		
KEY A, BLACK, W/CPA	33472-5008	A-BLK	GCP	PLR	CPA	M	RR								7	SALEABLE		N/A	N/A	N/A	N/A		
KEY D, STONE GRAY, W/CPA	33472-5009	D-SG	GCP	PLR	CPA	M	RR				4					SALEABLE		N/A	N/A	N/A	N/A		
KEY D, STONE GRAY, W/CPA	33472-5010	D-SG	GCP	PLR	CPA	M	RR				4	5				SALEABLE		N/A	N/A	N/A	N/A		
KEY D, STONE GRAY, W/CPA	33472-5011	D-SG	GCP	PLR	CPA	M	RR				4	5	6			SALEABLE		N/A	N/A	N/A	N/A		
KEY A, BLACK, W/O CPA	33472-5012	A-BLK	GCP	PLR		M	RR				4				7	8	SALEABLE		N/A	N/A	N/A		
KEY A, BLACK, W/CPA	33472-5013	A-BLK	GCP	PLR	CPA	M	RR			3	4	5	6	7	8	SALEABLE		N/A	N/A	N/A	N/A		
KEY A, BLACK, W/O CPA	33472-5014	A-BLK	GCP	PLR		M	RR			3	4	5	6	7	8	SALEABLE		N/A	N/A	N/A	N/A		
KEY A, BLACK, W/CPA	33472-5015	A-BLK	GCP	PLR	CPA	M	RR				4				7	8	SALEABLE		N/A	N/A	N/A		
KEY A, BLACK, W/O CPA	33472-5016	A-BLK	GCP	PLR		M	RR							6	7	8	SALEABLE		N/A	N/A	N/A		
KEY A, BLACK, W/O CPA	33472-5017	A-BLK	GCP	PLR		M	RR	1		3	4					8	SALEABLE		N/A	N/A	N/A		
KEY A, BLACK, W/CPA	33472-5018	A-BLK	GCP	PLR	CPA	M	RR				4		5	6	7	8	SALEABLE		N/A	N/A	N/A		
KEY A, BLACK, W/CPA	33472-5019	A-BLK	GCP	PLR	CPA	M	RR								7	8	SALEABLE		N/A	N/A	N/A		
KEY A, BLACK, W/CPA	33472-5020	A-BLK	GCP	PLR	CPA	M	RR				2	3	4		6	7	8	SALEABLE		N/A	N/A	N/A	
KEY A, BLACK, W/CPA	33472-5021	A-BLK	GCP	PLR	CPA	M	RR	1	2	3	4	5	6	7	8	SALEABLE		N/A	N/A	N/A	N/A		
KEY A, BLACK, W/CPA	33472-5022	A-BLK	GCP	PLR	CPA	M	RR	1					5				SALEABLE		N/A	N/A	N/A		
KEY A, BLACK, W/O CPA	33472-5023	A-BLK	GCP	PLR		M	RR							5	6	7	8	SALEABLE		N/A	N/A	N/A	
KEY A, BLACK, W/O CPA	33472-5024	A-BLK	GCP	PLR		M	RR			3	4						SALEABLE		N/A	N/A	N/A		
KEY D, STONE GRAY, W/O CPA	33472-5025	D-SG	GCP	PLR		M	RR				4	5	6				SALEABLE		N/A	N/A	N/A		
KEY D, STONE GRAY, W/O CPA	33472-5026	D-SG	GCP	PLR		M	RR					4					SALEABLE		N/A	N/A	N/A		
KEY B, LIGHT GRAY, W/O CPA	33472-5027	B-LG	GCP	PLR		M	RR									7	8	SALEABLE		N/A	N/A	N/A	
KEY A, BLACK, W/O CPA	33472-5028	A-BLK	GCP	PLR		M	RR	1	2	3	4					7	8	SALEABLE		N/A	N/A	N/A	
KEY A, BLACK, W/O CPA	33472-5029	A-BLK	GCP	PLR		M	RR			3	4						8	SALEABLE		N/A	N/A	N/A	
KEY A, BLACK, W/O CPA	33472-5030	A-BLK	GCP	PLR		M	RR	1	2	3	4	5				7		SALEABLE		N/A	N/A	N/A	
KEY A, BLACK, W/O CPA	33472-5031	A-BLK	GCP	PLR		M	RR						5					SALEABLE		N/A	N/A	N/A	
KEY A, BLACK, W/O CPA	33472-5032	A-BLK	GCP	PLR		M	RR		2									SALEABLE		N/A	N/A	N/A	
KEY B, LIGHT GRAY, W/O CPA	33472-5033	B-LG	GCP	PLR		M	RR	1		3							8	SALEABLE		N/A	N/A	N/A	
KEY B, LIGHT GRAY, W/O CPA	33472-5034	B-LG	GCP	PLR		M	RR			3							8	SALEABLE		N/A	N/A	N/A	
KEY B, LIGHT GRAY, W/O CPA	33472-5035	B-LG	GCP	PLR		M	RR	1										SALEABLE		N/A	N/A	N/A	
KEY A, BLACK, W/O CPA	33472-5036	A-BLK	GCP	PLR		M	RR	1									8	SALEABLE		N/A	N/A	N/A	
KEY A, BLACK, W/O CPA	33472-5037	A-BLK	GCP	PLR		M	RR											SALEABLE		N/A	N/A	N/A	
KEY A, BLACK, W/O CPA	33472-5038	A-BLK	GCP	PLR		M	RR	1			4	5	6	7	8			SALEABLE		N/A	N/A	N/A	
KEY A, BLACK, W/O CPA	33472-5039	A-BLK	GCP	PLR		M	RR		2									SALEABLE		N/A	N/A	N/A	
KEY B, LIGHT GRAY, W/O CPA	33472-5040	B-LG	GCP	PLR		M	RR						5			7		SALEABLE		N/A	N/A	N/A	
KEY A, BLACK, W/O CPA	33472-5041	A-BLK	GCP	PLR		M	RR				4	5	6	7	8			SALEABLE		N/A	N/A	N/A	
KEY A, BLACK, W/O CPA	33472-5042	A-BLK	GCP	PLR		M	RR						5				8	SALEABLE		N/A	N/A	N/A	
KEY A, BLACK, W/O CPA	33472-5043	A-BLK	GCP	PLR		M	RR			2	4	5	6					SALEABLE		N/A	N/A	N/A	
KEY A, BLACK, W/O CPA	33472-5044	A-BLK	GCP	PLR		M	RR	1	2	3	4						7	SALEABLE		N/A	N/A	N/A	
KEY A, BLACK, W/O CPA	33472-5045	A-BLK	GCP	PLR		M	RR				4						6	SALEABLE		N/A	N/A	N/A	
KEY A, BLACK, W/CPA	33472-5046	A-BLK	GCP	PLR	CPA	M	RR	1									7	SALEABLE		N/A	N/A	N/A	
KEY B, LIGHT GRAY, W/O CPA	33472-5047	B-LG	GCP	PLR		M	RR							5				SALEABLE		N/A	N/A	N/A	
KEY A, BLACK, W/O CPA	33472-5048	A-BLK	GCP	PLR		M	RR	1	2					5	6			SALEABLE		N/A	N/A	N/A	
KEY A, BLACK, W/O CPA	33472-5049	A-BLK	GCP	PLR		M	RR	1	2									8	SALEABLE		N/A	N/A	
KEY A, BLACK, W/O CPA	33472-5050	A-BLK	GCP	PLR		M	RR				4	5	6					SALEABLE		N/A	N/A	N/A	
KEY A, BLACK, W/O CPA	33472-5051	A-BLK	GCP	PLR		M	RR	1	2	3								SALEABLE		N/A	N/A	N/A	
KEY A, BLACK, W/O CPA	33472-5052	A-BLK	GCP	PLR		M	RR				4	5				7	8	SALEABLE		N/A	N/A	N/A	
KEY A, BLACK, W/O CPA	33472-5053	A-BLK	GCP	PLR		M	RR				3	4						SALEABLE		N/A	N/A	N/A	
KEY A, BLACK, W/O CPA	33472-5054	A-BLK	GCP	PLR		M	RR	1			3	4						SALEABLE		N/A	N/A	N/A	
KEY A, BLACK, W/O CPA	33472-5055	A-BLK	GCP	PLR		M	RR				4							8	SALEABLE		N/A	N/A	
KEY A, BLACK, W/O CPA	33472-5056	A-BLK	GCP	PLR		M	RR				4	5						8	SALEABLE		N/A	N/A	
KEY D, STONE GRAY, W/O CPA	33472-5057	D-SG	GCP	PLR		M	RR	1	2	3	4	5	6	7	8			SALEABLE		N/A	N/A	N/A	
KEY A, BLACK, W/CPA	33472-5058	A-BLK	GCP	PLR	CPA	M	RR			2								8	SALEABLE		N/A	N/A	
KEY B, LIGHT GRAY, W/O CPA	33472-5059	B-LG	GCP	PLR		M	RR			2								7	SALEABLE		N/A	N/A	
KEY B, LIGHT GRAY, W/O CPA	33472-5060	B-LG	GCP	PLR		M	RR			2								8	SALEABLE		N/A	N/A	
KEY A, BLACK, W/O CPA	33472-5061	A-BLK	GCP	PLR		M	RR			2	3	4						8	SALEABLE		N/A	N/A	
KEY A, BLACK, W/O CPA	33472-5062	A-BLK	GCP	PLR		M	RR			2	3							7	SALEABLE		N/A	N/A	
KEY A, BLACK, WITH CLIPSLOT, W/O CPA	33472-4901	A-BLK-CLIP	GCO	PLR		M	RR											SALEABLE	34951-0811	34951-0821	34951-0831	34951-0841	
KEY B, LIGHT GRAY, WITH CLIPSLOT, W/O CPA	33472-4902	B-LG-CLIP	GCO	PLR		M	RR											SALEABLE	34951-0811	34951-0821	34951-0831	34951-0841	
KEY C, BROWN, WITH CLIPSLOT, W/O CPA	33472-4903	C-BR-CLIP	GCO	PLR		M	RR											NOT RECOMMENDED	SEE P/N 33472-4922	34951-0811	34951-0821	34951-0831	34951-0841
KEY D, GREEN, WITH CLIPSLOT, W/O CPA	33472-4904	D-GR-CLIP	GCO	PLR		M	RR											NOT RECOMMENDED	SEE P/N 33472-4923	34951-0811	34951-0821	34951-0831	34951-0841
KEY D, BLACK, WITH CLIPSLOT, W/O CPA	33472-4905	D-BLK-CLIP	GCO	PLR		M	RR											SALEABLE	34951-0811	34951-0821	34951-0831	34951-0841	
KEY A, BLACK, WITH CLIPSLOT, W/CPA	33472-4906	A-BLK-CLIP	GCO	PLR	CPA	M	RR											SALEABLE	34951-0811	34951-0821	34951-0831	34951-0841	
KEY B, LIGHT GRAY, WITH CLIPSLOT, W/CPA	33472-4907	B-LG-CLIP	GCO	PLR	CPA	M	RR											SALEABLE	34951-0811	34951-0821	34951-0831	34951-0841	
KEY C, BROWN, WITH CLIPSLOT, W/CPA	33472-4908	C-BR-CLIP	GCO	PLR	CPA	M	RR											NOT RECOMMENDED	SEE P/N 33472-4924	34951-0811	34951-0821	34951-0831	34951-0841
KEY D, GREEN, WITH CLIPSLOT, W/CPA	33472-4909	D-GR-CLIP	GCO	PLR	CPA	M	RR											NOT RECOMMENDED	SEE P/N 33472-4925	34951-0811	34951-0821	34951-0831	34951-0841
KEY A, BLACK, WITH CLIPSLOT, W/O CPA	33472-4910	A-BLK-CLIP	GCP	PLR		M	RR				4							SALEABLE	34951-0811	34951-0821	34951-0831	34951-0841	
KEY A, BLACK, WITH CLIPSLOT, W/O CPA	33472-4920	A-BLK-CLIP	GCP	PLR		M	RR				4							SALEABLE	34951-0811	34951-0821	34951-0831	34951-0841	
KEY A, BLACK, WITH CLIPSLOT, W/O CPA	33472-4921	A-BLK-CLIP	GCP	PLR		M	RR											SALEABLE	34951-0811	34951-0821	34951-0831	34951-0841	
KEY C, DARK GRAY, WITH CLIPSLOT, W/O CPA	33472-4922	C-DG-CLIP	GCO	PLR		M	RR											SALEABLE	34951-0811	34951-0821	34951-0831	34951-0841	
KEY D, STONE GRAY, WITH CLIPSLOT, W/O CPA	33472-4923	D-SG-CLIP	GCO	PLR		M	RR											SALEABLE	34951-0811	34951-0821	34951-0831	34951-0841	
KEY C, DARK GRAY, WITH CLIPSLOT, W/CPA	33472-4924	C-DG-CLIP	GCO	PLR	CPA	M	RR											SALEABLE	34951-0811	34951-0821	34951-0831	34951-0841	
KEY D, STONE GRAY, WITH CLIPSLOT, W/CPA	33472-4925	D-SG-CLIP	GCO	PLR	CPA	M	RR											SALEABLE	34951-0811	34951-0821	34951-0831	34951-0841	
KEY B, LIGHT GRAY, WITH CLIPSLOT, W/O CPA	33472-4926	B-LG-CLIP	GCP	PLR		M	RR				4							SALEABLE	34951-0811	34951-0821	34951-0831	34951-0841	
KEY A, BLACK, WITH CLIPSLOT, W/CPA	33472-4927	A-BLK-CLIP	GCP	PLR	CPA	M	RR				4							SALEABLE	34951-0811	34951-0821	34951-0831	34951-0841	
KEY B, LIGHT GRAY, WITH CLIPSLOT, W/CPA	33472-4928	B-LG-CLIP	GCP	PLR	CPA	M	RR				4							SALEABLE	34951-0811				

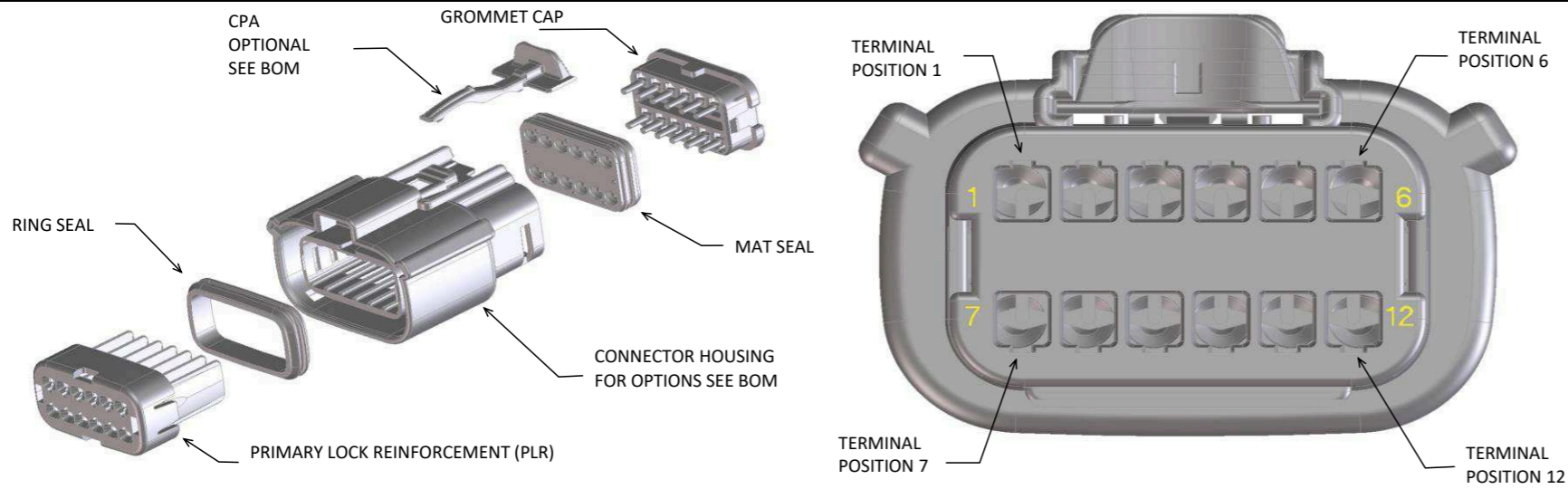


**MX150 RECEPTACLE 2X4 SEALED ASSEMBLY MAT SEAL  
BOM AND PIN OUT SHEET**

ASSEMBLY DESCRIPTION	ASSEMBLY PART NUMBER	COMPONENT							BLOCKED TERMINALS								STATUS	COMMENTS	OPTIONAL ATTACHMENTS SOLD SEPERATELY			
		THE PRESENCE OF AN ABBREVIATION INDICATES THE PRESENCE OF THAT COMPONENT.							CAVITY WITH A NUMBER INDICATES BLOCKED TERMINAL POSITION CAVITY WITHOUT A NUMBER INDICATES OPEN TERMINAL POSITION										BACKSHELL WITH RIBS	BACKSHELL WITHOUT RIBS	90° ADAPTOR WITH RIBS	90° ADAPTOR WITHOUT RIBS
		HOUSING KEY/COLOR	GROMMET CAP	PLR	CPA	MAT SEAL	RING SEAL	1	2	3	4	5	6	7	8							
KEY A, BLACK, WITH CLIPSLOT, W/CPA	33472-4933	A-BLK-CLIP	GCP	PLR	CPA	M	RR							8	SALEABLE		34951-0811	34951-0821	34951-0831	34951-0841		
KEY B, LIGHT GRAY, WITH CLIPSLOT, W/CPA	33472-4934	B-LG-CLIP	GCP	PLR	CPA	M	RR							8	SALEABLE		34951-0811	34951-0821	34951-0831	34951-0841		
KEY A, BLACK, WITH CLIPSLOT, W/CPA	33472-4935	A-BLK-CLIP	GCP	PLR	CPA	M	RR		2	3	4			6	7	8	SALEABLE		34951-0811	34951-0821	34951-0831	34951-0841
KEY A, BLACK, WITH CLIPSLOT, W/O CPA	33472-4936	A-BLK-CLIP	GCP	PLR		M	RR							6	7	8	SALEABLE		34951-0811	34951-0821	34951-0831	34951-0841
KEY A, BLACK, WITH CLIPSLOT, W/O CPA	33472-4937	A-BLK-CLIP	GCP	PLR		M	RR							5		8	SALEABLE		34951-0811	34951-0821	34951-0831	34951-0841
KEY A, BLACK, WITH CLIPSLOT, W/O CPA	33472-4938	A-BLK-CLIP	GCP	PLR		M	RR							5			SALEABLE		34951-0811	34951-0821	34951-0831	34951-0841
KEY A, BLACK, WITH CLIPSLOT, W/O CPA	33472-4939	A-BLK-CLIP	GCP	PLR		M	RR				4	5	6	7	8		SALEABLE		34951-0811	34951-0821	34951-0831	34951-0841
KEY A, BLACK, WITH CLIPSLOT, W/O CPA	33472-4940	A-BLK-CLIP	GCP	PLR		M	RR	1	2					5	6		SALEABLE		34951-0811	34951-0821	34951-0831	34951-0841
KEY A, BLACK, WITH CLIPSLOT, W/O CPA	33472-4941	A-BLK-CLIP	GCP	PLR		M	RR	1	2	3	4	5	6				SALEABLE		34951-0811	34951-0821	34951-0831	34951-0841
KEY A, BLACK, WITH CLIPSLOT, W/O CPA	33472-4942	A-BLK-CLIP	GCP	PLR		M	RR				4	5	6				SALEABLE		34951-0811	34951-0821	34951-0831	34951-0841
KEY A, BLACK, WITH CLIPSLOT, W/O CPA	33472-4943	A-BLK-CLIP	GCP	PLR		M	RR		2	3				6	7		SALEABLE		34951-0811	34951-0821	34951-0831	34951-0841
KEY A, BLACK, WITH CLIPSLOT, W/O CPA	33472-4944	A-BLK-CLIP	GCP	PLR		M	RR				4	5		7			SALEABLE		34951-0811	34951-0821	34951-0831	34951-0841
KEY A, BLACK, WITH CLIPSLOT, W/O CPA	33472-4945	A-BLK-CLIP	GCP	PLR		M	RR							7			SALEABLE		34951-0811	34951-0821	34951-0831	34951-0841
KEY A, BLACK, WITH CLIPSLOT, W/O CPA	33472-4946	A-BLK-CLIP	GCP	PLR		M	RR			3				7			SALEABLE		34951-0811	34951-0821	34951-0831	34951-0841
KEY A, BLACK, WITH CLIPSLOT, W/O CPA	33472-4947	A-BLK-CLIP	GCP	PLR		M	RR	1		3	4	5	6	7	8		SALEABLE		34951-0811	34951-0821	34951-0831	34951-0841
KEY A, BLACK, WITH CLIPSLOT, W/CPA	33472-5063	A-BLK-CLIP	GCP	PLR	CPA	M	RR					5	6	7	8		SALEABLE		34951-0811	34951-0821	34951-0831	34951-0841
KEY A, BLACK, WITH CLIPSLOT, W/O CPA	33472-5064	A-BLK-CLIP	GCP	PLR		M	RR					5	6	7	8		SALEABLE		34951-0811	34951-0821	34951-0831	34951-0841
KEY B, LIGHT GRAY, W/O CPA	33472-5065	B-LG	GCP	PLR		M	RR	1			4				7	8	SALEABLE		N/A	N/A	N/A	N/A
KEY A, BLACK, W/O CPA	33472-5066	A-BLK	GCP	PLR		M	RR			3							SALEABLE		N/A	N/A	N/A	N/A
KEY A, BLACK, WITH CLIPSLOT, W/O CPA	33472-5067	A-BLK-CLIP	GCP	PLR		M	RR	1							7	8	SALEABLE		34951-0811	34951-0821	34951-0831	34951-0841



MX150 RECEPTACLE 2X6 SEALED ASSEMBLY MAT SEAL  
BOM AND PIN OUT SHEET



FOR ADDITIONAL INFORMATION SEE SD-33472-0001

ABBREVIATION	DESCRIPTION	COLOR	MATERIAL
A-BLK	HOUSING, KEYING OPTION A	BLACK	SPS/NYLON GF20
B-LG	HOUSING, KEYING OPTION B	LIGHT GRAY	SPS/NYLON GF20
C-BR	HOUSING, KEYING OPTION C	BROWN	SPS/NYLON GF20
D-GR	HOUSING, KEYING OPTION D	GREEN	SPS/NYLON GF20
C-DG	HOUSING, KEYING OPTION C	DARK GRAY	SPS/NYLON GF20
D-SG	HOUSING, KEYING OPTION D	STONE GRAY	SPS/NYLON GF20
A-YW	HOUSING, KEYING OPTION A	YELLOW	SPS/NYLON GF20
A-BLK-CLIP	HOUSING, KEYING OPTION A WITH CLIPSLOT	BLACK	SPS/NYLON GF20
B-LG-CLIP	HOUSING, KEYING OPTION B WITH CLIPSLOT	LIGHT GRAY	SPS/NYLON GF20
C-BR-CLIP	HOUSING, KEYING OPTION C WITH CLIPSLOT	BROWN	SPS/NYLON GF20
D-GR-CLIP	HOUSING, KEYING OPTION D WITH CLIPSLOT	GREEN	SPS/NYLON GF20
C-DG-CLIP	HOUSING, KEYING OPTION C WITH CLIPSLOT	DARK GRAY	SPS/NYLON GF20
D-SG-CLIP	HOUSING, KEYING OPTION D WITH CLIPSLOT	STONE GRAY	SPS/NYLON GF20
GC	GROMMET CAP	BLACK	SPS/NYLON GF20
PLR	PLR	NATURAL	SPS/NYLON GF20
CPA	CPA	RED	PBT GF30
M	MAT SEAL	LIGHT BLUE	INHERENTLY LUBRICATED SILICONE
R	RING SEAL	GREEN	INHERENTLY LUBRICATED SILICONE

ASSEMBLY DESCRIPTION	ASSEMBLY PART NUMBER	COMPONENT							BLOCKED TERMINALS												STATUS	COMMENTS	OPTIONAL ATTACHMENTS SOLD SEPERATELY					
		THE PRESENCE OF AN ABBREVIATION INDICATES THE PRESENCE OF THAT COMPONENT.							CAVITY WITH A NUMBER INDICATES BLOCKED TERMINAL POSITION CAVITY WITHOUT A NUMBER INDICATES OPEN TERMINAL POSITION														BACKSHELL WITH RIBS	BACKSHELL WITHOUT RIBS				
		HOUSING KEY/COLOR	GROMMET CAP	PLR	CPA	MAT SEAL	RING SEAL	1	2	3	4	5	6	7	8	9	10	11	12									
KEY A, BLACK, W/O CPA	33472-1201	A-BLK	GC	PLR		M	R																	SALEABLE		34951-1210	34951-1220	
KEY B, LIGHT GRAY, W/O CPA	33472-1202	B-LG	GC	PLR		M	R																		SALEABLE		34951-1210	34951-1220
KEY C, BROWN, W/O CPA	33472-1203	C-BR	GC	PLR		M	R																	NOT RECOMMENDED	SEE P/N 33472-1253	34951-1210	34951-1220	
KEY D, GREEN, W/O CPA	33472-1204	D-GR	GC	PLR		M	R																	NOT RECOMMENDED	SEE P/N 33472-1254	34951-1210	34951-1220	
VOID KEY	33472-1205																											
KEY A, BLACK, W/CPA	33472-1206	A-BLK	GC	PLR	CPA	M	R																		SALEABLE		34951-1210	34951-1220
KEY B, LIGHT GRAY, W/CPA	33472-1207	B-LG	GC	PLR	CPA	M	R																		SALEABLE		34951-1210	34951-1220
KEY C, BROWN, W/CPA	33472-1208	C-BR	GC	PLR	CPA	M	R																	NOT RECOMMENDED	SEE P/N 33472-1259	34951-1210	34951-1220	
KEY D, GREEN, W/CPA	33472-1209	D-GR	GC	PLR	CPA	M	R																	NOT RECOMMENDED	SEE P/N 33472-1260	34951-1210	34951-1220	
VOID KEY	33472-1210																											
KEY A, BLACK, W/O CPA	33472-1211	A-BLK	GC	PLR		M	R																		SALEABLE		34951-1210	34951-1220
KEY B, LIGHT GRAY, W/O CPA	33472-1212	B-LG	GC	PLR		M	R																		SALEABLE		34951-1210	34951-1220
KEY C, BROWN, W/O CPA	33472-1213	C-BR	GC	PLR		M	R																	NOT RECOMMENDED		34951-1210	34951-1220	
KEY D, GREEN, W/O CPA	33472-1214	D-GR	GC	PLR		M	R																	NOT RECOMMENDED		34951-1210	34951-1220	
VOID KEY	33472-1215																											
KEY A, BLACK, W/CPA	33472-1216	A-BLK	GC	PLR	CPA	M	R																		SALEABLE		34951-1210	34951-1220
KEY B, LIGHT GRAY, W/CPA	33472-1217	B-LG	GC	PLR	CPA	M	R																		SALEABLE		34951-1210	34951-1220
KEY C, BROWN, W/CPA	33472-1218	C-BR	GC	PLR	CPA	M	R																	NOT RECOMMENDED		34951-1210	34951-1220	
KEY D, GREEN, W/CPA	33472-1219	D-GR	GC	PLR	CPA	M	R																	NOT RECOMMENDED		34951-1210	34951-1220	
VOID KEY	33472-1220																											
KEY A, BLACK, W/O CPA	33472-1221	A-BLK	GC	PLR		M	R																		SALEABLE		34951-1210	34951-1220
KEY B, LIGHT GRAY, W/O CPA	33472-1222	B-LG	GC	PLR		M	R																		SALEABLE		34951-1210	34951-1220
KEY C, BROWN, W/O CPA	33472-1223	C-BR	GC	PLR		M	R																	NOT RECOMMENDED		34951-1210	34951-1220	
KEY D, GREEN, W/O CPA	33472-1224	D-GR	GC	PLR		M	R																	NOT RECOMMENDED		34951-1210	34951-1220	
VOID KEY	33472-1225																											
KEY A, BLACK, W/CPA	33472-1226	A-BLK	GC	PLR	CPA	M	R																		SALEABLE		34951-1210	34951-1220
KEY B, LIGHT GRAY, W/CPA	33472-1227	B-LG	GC	PLR	CPA	M	R																		SALEABLE		34951-1210	34951-1220
KEY C, BROWN, W/CPA	33472-1228	C-BR	GC	PLR	CPA	M	R																	NOT RECOMMENDED		34951-1210	34951-1220	
KEY D, GREEN, W/CPA	33472-1229	D-GR	GC	PLR	CPA	M	R																	NOT RECOMMENDED		34951-1210	34951-1220	
VOID KEY	33472-1230																											
KEY A, BLACK, W/O CPA	33472-1231	A-BLK	GC	PLR		M	R	1																	SALEABLE		34951-1210	34951-1220
KEY B, LIGHT GRAY, W/O CPA	33472-1232	B-LG	GC	PLR		M	R	1																	SALEABLE		34951-1210	34951-1220
KEY C, BROWN, W/O CPA	33472-1233	C-BR	GC	PLR		M	R	1																NOT RECOMMENDED		34951-1210	34951-1220	
KEY D, GREEN, W/O CPA	33472-1234	D-GR	GC	PLR		M	R	1																NOT RECOMMENDED		34951-1210	34951-1220	
VOID KEY	33472-1235																											
KEY A, BLACK, W/CPA	33472-1236	A-BLK	GC	PLR	CPA	M	R	1																	SALEABLE		34951-1210	34951-1220
KEY B, LIGHT GRAY, W/CPA	33472-1237	B-LG	GC	PLR	CPA	M	R	1																	SALEABLE		34951-1210	34951-1220
KEY C, BROWN, W/CPA	33472-1238	C-BR	GC	PLR	CPA	M	R	1																NOT RECOMMENDED		34951-1210	34951-1220	
KEY D, GREEN, W/CPA	33472-1239	D-GR	GC	PLR	CPA	M	R	1																NOT RECOMMENDED		34951-1210	34951-1220	
VOID KEY	33472-1240																											
KEY A, BLACK, W/O CPA	33472-1241	A-BLK	GC	PLR		M	R	1																	SALEABLE		34951-1210	34951-1220
KEY B, LIGHT GRAY, W/O CPA	33472-1242	B-LG	GC	PLR		M	R	1																	SALEABLE		34951-1210	34951-1220
KEY C, BROWN, W/O CPA	33472-1243	C-BR	GC	PLR		M	R	1																NOT RECOMMENDED		34951-1210	34951-1220	
KEY D, GREEN, W/O CPA	33472-1244	D-GR	GC	PLR		M	R	1																NOT RECOMMENDED		34951-1210	34951-1220	
VOID KEY	33472-1245																											
KEY A, BLACK, W/CPA	33472-1246	A-BLK	GC	PLR	CPA	M	R	1																	SALEABLE		34951-1210	34951-1220
KEY B, LIGHT GRAY, W/CPA	33472-1247	B-LG	GC	PLR	CPA	M	R	1																	SALEABLE		34951-1210	34951-1220
KEY C, BROWN, W/CPA	33472-1248	C-BR	GC	PLR	CPA	M	R	1																NOT RECOMMENDED		34951-1210	34951-1220	
KEY D, GREEN, W/CPA	33472-1249	D-GR	GC	PLR	CPA	M	R	1																NOT RECOMMENDED		34951-1210	34951-1220	
VOID KEY	33472-1250																											
KEY A, BLACK, W/O CPA	33472-1251	A-BLK	GC	PLR		M	R																		SALEABLE		34951-1210	34951-1220
KEY A, BLACK, W/CPA	33472-1252	A-BLK	GC	PLR	CPA	M	R																		SALEABLE		34951-1210	34951-1220
KEY C, DARK GRAY, W/O CPA	33472-1253	C-DG	GC	PLR		M	R																		SALEABLE		34951-1210	34951-1220
KEY D, STONE GRAY, W/O CPA	33472-1254	D-SG	GC	PLR		M	R																		SALEABLE		34951-1210	34951-1220

MX150 RECEPTACLE 2X6 SEALED ASSEMBLY MAT SEAL
BOM AND PIN OUT SHEET

Table with columns: ASSEMBLY DESCRIPTION, ASSEMBLY PART NUMBER, COMPONENT (HOUSING KEY/COLOR, GROMMET CAP, PLR, CPA, MAT SEAL, RING SEAL), BLOCKED TERMINALS (1-12), STATUS, COMMENTS, and OPTIONAL ATTACHMENTS SOLD SEPERATELY (BACKSHELL WITH RIBS, BACKSHELL WITHOUT RIBS).



**MX150 RECEPTACLE 2X6 SEALED ASSEMBLY MAT SEAL  
BOM AND PIN OUT SHEET**

ASSEMBLY DESCRIPTION	ASSEMBLY PART NUMBER	COMPONENT						BLOCKED TERMINALS												STATUS	COMMENTS	OPTIONAL ATTACHMENTS SOLD SEPARATELY					
		THE PRESENCE OF AN ABBREVIATION INDICATES THE PRESENCE OF THAT COMPONENT.						CAVITY WITH A NUMBER INDICATES BLOCKED TERMINAL POSITION CAVITY WITHOUT A NUMBER INDICATES OPEN TERMINAL POSITION														BACKSHELL WITH RIBS	BACKSHELL WITHOUT RIBS				
		HOUSING KEY/COLOR	GROMMET CAP	PLR	CPA	MAT SEAL	RING SEAL	1	2	3	4	5	6	7	8	9	10	11	12								
KEY A, BLACK, WITH CLIPSLOT, W/O CPA	33472-1339	A-BLK-CLIP	GC	PLR		M	R					4	5	6	7	8	9							SALEABLE		N/A	N/A
KEY A, BLACK, WITH CLIPSLOT, W/O CPA	33472-1340	A-BLK-CLIP	GC	PLR		M	R							6	7	8								SALEABLE		N/A	N/A
KEY A, BLACK, WITH CLIPSLOT, W/O CPA	33472-1341	A-BLK-CLIP	GC	PLR		M	R		2			4	5			8				10	11			SALEABLE		N/A	N/A
KEY A, BLACK, WITH CLIPSLOT, W/O CPA	33472-1342	A-BLK-CLIP	GC	PLR		M	R					4					9	10						SALEABLE		N/A	N/A
KEY A, BLACK, WITH CLIPSLOT, W/O CPA	33472-1343	A-BLK-CLIP	GC	PLR		M	R	1						6	7									SALEABLE		N/A	N/A
KEY A, BLACK, WITH CLIPSLOT, W/O CPA	33472-1344	A-BLK-CLIP	GC	PLR		M	R														11			SALEABLE		N/A	N/A
KEY A, BLACK, WITH CLIPSLOT, W/O CPA	33472-1345	A-BLK-CLIP	GC	PLR		M	R								7									SALEABLE		N/A	N/A
KEY A, BLACK, WITH CLIPSLOT, W/O CPA	33472-1346	A-BLK-CLIP	GC	PLR		M	R		2	3	4	5							10	11	12			SALEABLE		N/A	N/A
KEY A, BLACK, WITH CLIPSLOT, W/O CPA	33472-1347	A-BLK-CLIP	GC	PLR		M	R	1						6	7		9							SALEABLE		N/A	N/A
KEY A, BLACK, WITH CLIPSLOT, W/O CPA	33472-1348	A-BLK-CLIP	GC	PLR		M	R		2	3	4	5	6	7	8		10	11	12					SALEABLE		N/A	N/A
KEY A, BLACK, WITH CLIPSLOT, W/CPA	33472-1349	A-BLK-CLIP	GC	PLR	CPA	M	R			3		5								11				SALEABLE		N/A	N/A
KEY A, BLACK, WITH CLIPSLOT, W/O CPA	33472-1350	A-BLK-CLIP	GC	PLR		M	R		2	3										11				SALEABLE		N/A	N/A
KEY A, BLACK, WITH CLIPSLOT, W/O CPA	33472-1351	A-BLK-CLIP	GC	PLR		M	R	1	2	3	4	5					9	10	11	12				SALEABLE		N/A	N/A
KEY A, BLACK, WITH CLIPSLOT, W/O CPA	33472-1352	A-BLK-CLIP	GC	PLR		M	R													11	12			SALEABLE		N/A	N/A
KEY A, BLACK, WITH CLIPSLOT, W/O CPA	33472-1353	A-BLK-CLIP	GC	PLR		M	R		2	3							9	10	11					SALEABLE		N/A	N/A
KEY A, BLACK, WITH CLIPSLOT, W/O CPA	33472-1354	A-BLK-CLIP	GC	PLR		M	R	1	2	3	4	5				8	9	10	11	12				SALEABLE		N/A	N/A
KEY A, BLACK, WITH CLIPSLOT, W/O CPA	33472-1355	A-BLK-CLIP	GC	PLR		M	R	1	2	3	4	5											12	SALEABLE		N/A	N/A
KEY A, BLACK, WITH CLIPSLOT, W/O CPA	33472-1356	A-BLK-CLIP	GC	PLR		M	R				3	4	5											SALEABLE		N/A	N/A
KEY A, BLACK, WITH CLIPSLOT, W/O CPA	33472-1357	A-BLK-CLIP	GC	PLR		M	R			3	4	5	6	7	8	9	10	11						SALEABLE		N/A	N/A
KEY A, BLACK, WITH CLIPSLOT, W/O CPA	33472-1358	A-BLK-CLIP	GC	PLR		M	R		2	3						8	9	10	11	12				SALEABLE		N/A	N/A
KEY A, BLACK, WITH CLIPSLOT, W/CPA	33472-1359	A-BLK-CLIP	GC	PLR	CPA	M	R					5				8	9			11				SALEABLE		N/A	N/A
KEY A, BLACK, WITH CLIPSLOT, W/O CPA	33472-1360	A-BLK-CLIP	GC	PLR		M	R		2	3														SALEABLE		N/A	N/A
KEY A, BLACK, WITH CLIPSLOT, W/O CPA	33472-1361	A-BLK-CLIP	GC	PLR		M	R	1	2	3										11	12			SALEABLE		N/A	N/A
KEY A, BLACK, WITH CLIPSLOT, W/O CPA	33472-1362	A-BLK-CLIP	GC	PLR		M	R	1	2	3	4			6		8				10	11	12		SALEABLE		N/A	N/A
KEY A, BLACK, WITH CLIPSLOT, W/O CPA	33472-1363	A-BLK-CLIP	GC	PLR		M	R		2		4			6		8				10	11	12		SALEABLE		N/A	N/A
KEY A, BLACK, WITH CLIPSLOT, W/O CPA	33472-1364	A-BLK-CLIP	GC	PLR		M	R													11	12			SALEABLE		N/A	N/A
KEY A, BLACK, WITH CLIPSLOT, W/O CPA	33472-1365	A-BLK-CLIP	GC	PLR		M	R	1	2	3	4	5	6										9	SALEABLE		N/A	N/A
KEY A, BLACK, WITH CLIPSLOT, W/O CPA	33472-1366	A-BLK-CLIP	GC	PLR		M	R							6									9	SALEABLE		N/A	N/A
KEY A, BLACK, WITH CLIPSLOT, W/O CPA	33472-1367	A-BLK-CLIP	GC	PLR		M	R		2						7	8	9							SALEABLE		N/A	N/A
KEY A, BLACK, WITH CLIPSLOT, W/O CPA	33472-1368	A-BLK-CLIP	GC	PLR		M	R				3	4	5	6	7									SALEABLE		N/A	N/A
KEY A, BLACK, WITH CLIPSLOT, W/O CPA	33472-1369	A-BLK-CLIP	GC	PLR		M	R	1	2	3	4	5	6	7									12	SALEABLE		N/A	N/A
KEY A, BLACK, WITH CLIPSLOT, W/O CPA	33472-1370	A-BLK-CLIP	GC	PLR		M	R	1	2	3	4	5			7	8	9	10	11					SALEABLE		N/A	N/A
KEY A, BLACK, WITH CLIPSLOT, W/O CPA	33472-1371	A-BLK-CLIP	GC	PLR		M	R				4			6										SALEABLE		N/A	N/A
KEY A, BLACK, WITH CLIPSLOT, W/O CPA	33472-1372	A-BLK-CLIP	GC	PLR		M	R										8							SALEABLE		N/A	N/A
KEY A, BLACK, WITH CLIPSLOT, W/O CPA	33472-1373	A-BLK-CLIP	GC	PLR		M	R	1			3	4	5	6	7	8				10	11	12		SALEABLE		N/A	N/A
KEY A, BLACK, WITH CLIPSLOT, W/O CPA	33472-1374	A-BLK-CLIP	GC	PLR		M	R							6						9	10	11	12	SALEABLE		N/A	N/A
KEY A, BLACK, WITH CLIPSLOT, W/O CPA	33472-1375	A-BLK-CLIP	GC	PLR		M	R																12	SALEABLE		N/A	N/A
KEY A, BLACK, WITH CLIPSLOT, W/O CPA	33472-1376	A-BLK-CLIP	GC	PLR		M	R							6										SALEABLE		N/A	N/A
KEY A, BLACK, WITH CLIPSLOT, W/O CPA	33472-1377	A-BLK-CLIP	GC	PLR		M	R	1	2					5	6	7	8			11	12			SALEABLE		N/A	N/A
KEY A, BLACK, WITH CLIPSLOT, W/O CPA	33472-1378	A-BLK-CLIP	GC	PLR		M	R																9	SALEABLE		N/A	N/A
KEY A, BLACK, WITH CLIPSLOT, W/O CPA	33472-1379	A-BLK-CLIP	GC	PLR		M	R				3	4								9	10	11	12	SALEABLE		N/A	N/A
KEY A, BLACK, WITH CLIPSLOT, W/O CPA	33472-1380	A-BLK-CLIP	GC	PLR		M	R	1	2	3	4	5	6	7	8	9							12	SALEABLE		N/A	N/A
KEY A, BLACK, WITH CLIPSLOT, W/O CPA	33472-1381	A-BLK-CLIP	GC	PLR		M	R	1	2					5	6	7	8							SALEABLE		N/A	N/A
KEY A, BLACK, WITH CLIPSLOT, W/O CPA	33472-1382	A-BLK-CLIP	GC	PLR		M	R					4											10	SALEABLE		N/A	N/A
KEY A, BLACK, WITH CLIPSLOT, W/O CPA	33472-1383	A-BLK-CLIP	GC	PLR		M	R	1	2	3	4	5	6							9	10	11	12	SALEABLE		N/A	N/A
KEY A, BLACK, WITH CLIPSLOT, W/O CPA	33472-1384	A-BLK-CLIP	GC	PLR		M	R	1			4												11	SALEABLE		N/A	N/A
KEY A, BLACK, WITH CLIPSLOT, W/O CPA	33472-1385	A-BLK-CLIP	GC	PLR		M	R																12	SALEABLE		N/A	N/A
KEY A, BLACK, WITH CLIPSLOT, W/O CPA	33472-1386	A-BLK-CLIP	GC	PLR		M	R	1	2	3	4	5	6	7	8									SALEABLE		N/A	N/A
KEY A, BLACK, WITH CLIPSLOT, W/O CPA	33472-1387	A-BLK-CLIP	GC	PLR		M	R	1	2					6	7	8								SALEABLE		N/A	N/A
KEY A, BLACK, WITH CLIPSLOT, W/O CPA	33472-1388	A-BLK-CLIP	GC	PLR		M	R	1	2							7	8							SALEABLE		N/A	N/A
KEY A, BLACK, WITH CLIPSLOT, W/O CPA	33472-1389	A-BLK-CLIP	GC	PLR		M	R	1						6	7	8								SALEABLE		N/A	N/A
KEY A, BLACK, WITH CLIPSLOT, W/O CPA	33472-1390	A-BLK-CLIP	GC	PLR		M	R									7	8							SALEABLE		N/A	N/A
KEY A, BLACK, WITH CLIPSLOT, W/O CPA	33472-1391	A-BLK-CLIP	GC	PLR		M	R		2			4				7	8	9	10					SALEABLE		N/A	N/A
KEY A, BLACK, WITH CLIPSLOT, W/O CPA	33472-1392	A-BLK-CLIP	GC	PLR		M	R				3		5	6	7	8	9	10	11	12				SALEABLE		N/A	N/A
KEY A, BLACK, WITH CLIPSLOT, W/O CPA	33472-1393	A-BLK-CLIP	GC	PLR		M	R				3					7				9	10	11	12	SALEABLE		N/A	N/A
KEY A, BLACK, WITH CLIPSLOT, W/O CPA	33472-1394	A-BLK-CLIP	GC	PLR		M	R																	SALEABLE		N/A	N/A
KEY A, BLACK, WITH CLIPSLOT, W/O CPA	33472-1395	A-BLK-CLIP	GC	PLR		M	R	1	2	3	4			6	7	8	9	10						SALEABLE		N/A	N/A
KEY A, BLACK, WITH CLIPSLOT, W/O CPA	33472-1396	A-BLK-CLIP	GC	PLR		M	R	1	2	3	4				7	8	9	10						SALEABLE		N/A	N/A
KEY A, BLACK, WITH CLIPSLOT, W/O CPA	33472-1397	A-BLK-CLIP	GC	PLR		M	R							6		8	9	10	11	12				SALEABLE		N/A	N/A
KEY B, LIGHT GRAY, WITH CLIPSLOT, W/O CPA	33472-1398	B-LG-CLIP	GC	PLR		M	R																	SALEABLE		N/A	N/A
KEY B, LIGHT GRAY, WITH CLIPSLOT, W/O CPA	33472-1399	B-LG-CLIP	GC	PLR		M	R							6	7									SALEABLE		N/A	N/A
KEY B, LIGHT GRAY, WITH CLIPSLOT, W/O CPA	33472-1400	B-LG-CLIP	GC	PLR		M	R	1	2	3	4	5	6	7										SALEABLE		N/A	N/A
KEY B, LIGHT GRAY, WITH CLIPSLOT, W/O CPA	33472-1401	B-LG-CLIP	GC	PLR		M	R	1	2	3	4	5	6											SALEABLE		N/A	N/A
KEY B, LIGHT GRAY, WITH CLIPSLOT, W/O CPA	33472-1402	B-LG-CLIP	GC	PLR		M	R																	SALEABLE		N/A	N/A
KEY B, LIGHT GRAY, WITH CLIPSLOT, W/O CPA	33472-1403	B-LG-CLIP	GC	PLR		M	R							5	6									SALEABLE		N/A	N/A
KEY B, LIGHT GRAY, WITH CLIPSLOT, W/O CPA	33472-1404	B-LG-CLIP	GC	PLR		M	R							5	6									SALEABLE		N/A	N/A
KEY A, BLACK, WITH CLIPSLOT, W/O CPA	33472-1405	A-BLK-CLIP	GC	PLR		M	R									8	9	10	11	12				SALEABLE		N/A	N/A
KEY A, BLACK, WITH CLIPSLOT, W/O CPA	33472-1406	A-BLK-CLIP	GC	PLR		M	R									8	9			11				SALEABLE		N/A	N/A
KEY C, DARK GRAY, WITH CLIPSLOT, W/O CPA	33472-1407	C-DG-CL																									

MX150 RECEPTACLE 2X6 SEALED ASSEMBLY MAT SEAL  
BOM AND PIN OUT SHEET

ASSEMBLY DESCRIPTION	ASSEMBLY PART NUMBER	COMPONENT						BLOCKED TERMINALS												STATUS	COMMENTS	OPTIONAL ATTACHMENTS SOLD SEPARATELY				
		THE PRESENCE OF AN ABBREVIATION INDICATES THE PRESENCE OF THAT COMPONENT.						CAVITY WITH A NUMBER INDICATES BLOCKED TERMINAL POSITION CAVITY WITHOUT A NUMBER INDICATES OPEN TERMINAL POSITION														BACKSHELL WITH RIBS	BACKSHELL WITHOUT RIBS			
		HOUSING KEY/COLOR	GROMMET CAP	PLR	CPA	MAT SEAL	RING SEAL	1	2	3	4	5	6	7	8	9	10	11	12							
KEY A, BLACK, WITH CLIPSLOT, W/O CPA	33472-1420	A-BLK-CLIP	GC	PLR		M	R			3	4	5	6	7	8	9	10	11	12	SALEABLE		N/A	N/A			
KEY A, BLACK, WITH CLIPSLOT, W/O CPA	33472-1421	A-BLK-CLIP	GC	PLR		M	R													SALEABLE		N/A	N/A			
KEY A, BLACK, WITH CLIPSLOT, W/O CPA	33472-1422	A-BLK-CLIP	GC	PLR		M	R			3	4	5	6	7	8					SALEABLE		N/A	N/A			
KEY A, BLACK, WITH CLIPSLOT, W/O CPA	33472-1423	A-BLK-CLIP	GC	PLR		M	R			3	4	5	6	7	8	9				SALEABLE		N/A	N/A			
KEY A, BLACK, WITH CLIPSLOT, W/O CPA	33472-1424	A-BLK-CLIP	GC	PLR		M	R			3	4	5	6	7	8		10	11	12	SALEABLE		N/A	N/A			
KEY A, BLACK, WITH CLIPSLOT, W/O CPA	33472-1425	A-BLK-CLIP	GC	PLR		M	R				4						10			SALEABLE		N/A	N/A			
KEY A, BLACK, WITH CLIPSLOT, W/O CPA	33472-1426	A-BLK-CLIP	GC	PLR		M	R			1					8		10	11		SALEABLE		N/A	N/A			
KEY C, BROWN, WITH CLIPSLOT, W/O CPA	33472-1427	C-BR-CLIP	GC	PLR		M	R			1	2		5	6						NOT RECOMMENDED	SEE P/N 33472-1433	N/A	N/A			
KEY C, BROWN, WITH CLIPSLOT, W/O CPA	33472-1428	C-BR-CLIP	GC	PLR		M	R				3	4								NOT RECOMMENDED	SEE P/N 33472-1434	N/A	N/A			
KEY C, BROWN, WITH CLIPSLOT, W/O CPA	33472-1429	C-BR-CLIP	GC	PLR		M	R			1	2	3	4							NOT RECOMMENDED	SEE P/N 33472-1435	N/A	N/A			
KEY C, BROWN, WITH CLIPSLOT, W/O CPA	33472-1430	C-BR-CLIP	GC	PLR		M	R			1	2	3	4	5	6					NOT RECOMMENDED	SEE P/N 33472-1436	N/A	N/A			
KEY A, BLACK, WITH CLIPSLOT, W/CPA	33472-1431	A-BLK-CLIP	GC	PLR	CPA	M	R							7	8					SALEABLE		N/A	N/A			
KEY A, BLACK, WITH CLIPSLOT, W/O CPA	33472-1432	A-BLK-CLIP	GC	PLR		M	R				3	4	5	6			9	10	11	SALEABLE		N/A	N/A			
KEY C, DARK GRAY, WITH CLIPSLOT, W/O CPA	33472-1433	C-DG-CLIP	GC	PLR		M	R			1	2			5	6					SALEABLE		N/A	N/A			
KEY C, DARK GRAY, WITH CLIPSLOT, W/O CPA	33472-1434	C-DG-CLIP	GC	PLR		M	R				3	4								SALEABLE		N/A	N/A			
KEY C, DARK GRAY, WITH CLIPSLOT, W/O CPA	33472-1435	C-DG-CLIP	GC	PLR		M	R			1	2	3	4							SALEABLE		N/A	N/A			
KEY C, DARK GRAY, WITH CLIPSLOT, W/O CPA	33472-1436	C-DG-CLIP	GC	PLR		M	R			1	2	3	4	5	6					SALEABLE		N/A	N/A			
KEY A, BLACK, WITH CLIPSLOT, W/O CPA	33472-1437	A-BLK-CLIP	GC	PLR		M	R								8	9	10		12	SALEABLE		N/A	N/A			
KEY A, BLACK, WITH CLIPSLOT, W/O CPA	33472-1438	A-BLK-CLIP	GC	PLR		M	R			1	2		4			7	8		10	12	SALEABLE		N/A	N/A		
KEY A, BLACK, WITH CLIPSLOT, W/O CPA	33472-1439	A-BLK-CLIP	GC	PLR		M	R				2	3		5				11		SALEABLE		N/A	N/A			
KEY A, BLACK, WITH CLIPSLOT, W/O CPA	33472-1440	A-BLK-CLIP	GC	PLR		M	R			1	2	3				9		11		SALEABLE		N/A	N/A			
KEY A, BLACK, WITH CLIPSLOT, W/O CPA	33472-1441	A-BLK-CLIP	GC	PLR		M	R			1	2	3		5			9		11	SALEABLE		N/A	N/A			
KEY A, BLACK, WITH CLIPSLOT, W/O CPA	33472-1442	A-BLK-CLIP	GC	PLR		M	R			1	2	3	4	5		7	8			SALEABLE		N/A	N/A			
KEY A, BLACK, WITH CLIPSLOT, W/O CPA	33472-1443	A-BLK-CLIP	GC	PLR		M	R						5	5		8				SALEABLE		N/A	N/A			
KEY A, BLACK, WITH CLIPSLOT, W/O CPA	33472-1444	A-BLK-CLIP	GC	PLR		M	R				2					9				SALEABLE		N/A	N/A			
KEY A, BLACK, WITH CLIPSLOT, W/O CPA	33472-1445	A-BLK-CLIP	GC	PLR		M	R				2		5		7		9		12	SALEABLE		N/A	N/A			
KEY A, BLACK, WITH CLIPSLOT, W/O CPA	33472-1446	A-BLK-CLIP	GC	PLR		M	R				2					9				SALEABLE		N/A	N/A			
KEY A, BLACK, WITH CLIPSLOT, W/O CPA	33472-1447	A-BLK-CLIP	GC	PLR		M	R			1	2	3	4		6			11	12	SALEABLE		N/A	N/A			
KEY B, LIGHT GRAY, WITH CLIPSLOT, W/O CPA	33472-1448	B-LG-CLIP	GC	PLR		M	R			1	2	3	4	5			8	9	10	11	12	SALEABLE		N/A	N/A	
KEY B, LIGHT GRAY, WITH CLIPSLOT, W/O CPA	33472-1449	B-LG-CLIP	GC	PLR		M	R							5			8			SALEABLE		N/A	N/A			
KEY B, LIGHT GRAY, WITH CLIPSLOT, W/O CPA	33472-1450	B-LG-CLIP	GC	PLR		M	R							5			8	9	10	11	12	SALEABLE		N/A	N/A	
KEY B, LIGHT GRAY, WITH CLIPSLOT, W/O CPA	33472-1451	B-LG-CLIP	GC	PLR		M	R							5			8		11	12	SALEABLE		N/A	N/A		
KEY A, BLACK, WITH CLIPSLOT, W/CPA	33472-1452	A-BLK-CLIP	GC	PLR	CPA	M	R											11	12	SALEABLE		N/A	N/A			
KEY A, BLACK, WITH CLIPSLOT, W/O CPA	33472-1453	A-BLK-CLIP	GC	PLR		M	R				2					8				SALEABLE		N/A	N/A			
KEY A, BLACK, WITH CLIPSLOT, W/O CPA	33472-1454	A-BLK-CLIP	GC	PLR		M	R				2					8				SALEABLE		N/A	N/A			
KEY A, BLACK, WITH CLIPSLOT, W/O CPA	33472-1455	A-BLK-CLIP	GC	PLR		M	R				2					8				SALEABLE		N/A	N/A			
KEY A, BLACK, WITH CLIPSLOT, W/O CPA	33472-1456	A-BLK-CLIP	GC	PLR		M	R				2					8				SALEABLE		N/A	N/A			
KEY A, BLACK, WITH CLIPSLOT, W/O CPA	33472-1457	A-BLK-CLIP	GC	PLR		M	R			1	2	3	4	5	6		8	9	10	11	12	SALEABLE		N/A	N/A	
KEY A, BLACK, WITH CLIPSLOT, W/O CPA	33472-1458	A-BLK-CLIP	GC	PLR		M	R			1		3		5	6		8	9	10	11	12	SALEABLE		N/A	N/A	
KEY A, BLACK, WITH CLIPSLOT, W/O CPA	33472-1459	A-BLK-CLIP	GC	PLR		M	R					4	5	6	7	8	9	10	11	12	SALEABLE		N/A	N/A		
KEY A, BLACK, WITH CLIPSLOT, W/O CPA	33472-1460	A-BLK-CLIP	GC	PLR		M	R					4	5	6	7	8	9	10	11	12	SALEABLE		N/A	N/A		
KEY A, BLACK, WITH CLIPSLOT, W/O CPA	33472-1461	A-BLK-CLIP	GC	PLR		M	R			1	2	3	4	5	6		8	9	10	11	12	SALEABLE		N/A	N/A	
KEY A, BLACK, W/O CPA	33472-1462	A-BLK	GC	PLR		M	R					4				9	10	11	12	SALEABLE		34951-1210	34951-1220			
KEY A, BLACK, W/O CPA	33472-1463	A-BLK	GC	PLR		M	R													SALEABLE		34951-1210	34951-1220			
KEY A, BLACK, W/O CPA	33472-1464	A-BLK	GC	PLR		M	R			1	2	3	4	5	6	7	8	9	10		SALEABLE		34951-1210	34951-1220		
KEY A, BLACK, W/CPA	33472-1465	A-BLK	GC	PLR	CPA	M	R						5			9			11	12	SALEABLE		34951-1210	34951-1220		
KEY A, BLACK, W/CPA	33472-1466	A-BLK	GC	PLR	CPA	M	R			1	2	3								SALEABLE		34951-1210	34951-1220			
KEY A, BLACK, W/CPA	33472-1467	A-BLK	GC	PLR	CPA	M	R			1	2				6	7			11	12	SALEABLE		34951-1210	34951-1220		
KEY A, BLACK, W/CPA	33472-1468	A-BLK	GC	PLR	CPA	M	R								6	7	8	9	10	11	12	SALEABLE		34951-1210	34951-1220	
KEY A, BLACK, WITH CLIPSLOT, W/O CPA	33472-1469	A-BLK-CLIP	GC	PLR		M	R						5	6	7	8	9	10		SALEABLE		N/A	N/A			
KEY A, BLACK, WITH CLIPSLOT, W/O CPA	33472-1470	A-BLK-CLIP	GC	PLR		M	R			1	2			4	5	6	7			SALEABLE		N/A	N/A			
KEY B, LIGHT GRAY, W/CPA	33472-1471	B-LG	GC	PLR	CPA	M	R						5							SALEABLE		34951-1210	34951-1220			
KEY A, BLACK, WITH CLIPSLOT, W/O CPA	33472-1472	A-BLK-CLIP	GC	PLR		M	R								7	8			11	SALEABLE		N/A	N/A			
KEY A, BLACK, WITH CLIPSLOT, W/O CPA	33472-1473	A-BLK-CLIP	GC	PLR		M	R			1	2	3	4	5	6	7	8	9	10	11	SALEABLE		N/A	N/A		
KEY A, BLACK, WITH CLIPSLOT, W/O CPA	33472-1474	A-BLK-CLIP	GC	PLR		M	R							5	6	7	8	9	10	11	12	SALEABLE		N/A	N/A	
KEY A, BLACK, W/CPA	33472-1475	A-BLK	GC	PLR	CPA	M	R				2	3	4	5			9			SALEABLE		34951-1210	34951-1220			
KEY A, BLACK, W/CPA	33472-1476	A-BLK	GC	PLR	CPA	M	R				2	3	4				9	10	11	SALEABLE		34951-1210	34951-1220			
KEY A, BLACK, WITH CLIPSLOT, W/O CPA	33472-1477	A-BLK-CLIP	GC	PLR		M	R								5					SALEABLE		N/A	N/A			
KEY A, BLACK, WITH CLIPSLOT, W/O CPA	33472-1478	A-BLK-CLIP	GC	PLR		M	R					3	4			6				SALEABLE		N/A	N/A			
KEY A, BLACK, WITH CLIPSLOT, W/O CPA	33472-1479	A-BLK-CLIP	GC	PLR		M	R								6					SALEABLE		N/A	N/A			
KEY A, BLACK, WITH CLIPSLOT, W/O CPA	33472-1480	A-BLK-CLIP	GC	PLR		M	R			1	2			4	5	6	7	9	10	11	12	SALEABLE		N/A	N/A	
KEY A, BLACK, WITH CLIPSLOT, W/O CPA	33472-1481	A-BLK-CLIP	GC	PLR		M	R								5		8	9		SALEABLE		N/A	N/A			
KEY A, BLACK, WITH CLIPSLOT, W/O CPA	33472-1482	A-BLK-CLIP	GC	PLR		M	R								5		7	8	9		SALEABLE		N/A	N/A		
KEY A, BLACK, W/CPA	33472-1483	A-BLK	GC	PLR	CPA	M	R							4						SALEABLE		34951-1210	34951-1220			
KEY A, BLACK, W/O CPA	33472-1484	A-BLK	GC	PLR		M	R									7	8	9	10	11	12	SALEABLE		34951-1210	34951-1220	
KEY A, BLACK, W/O CPA	33472-1485	A-BLK	GC	PLR		M	R									4	5	9	10	11	12	SALEABLE		34951-1210	34951-1220	
KEY A, BLACK, W/CPA	33472-1486	A-BLK	GC	PLR	CPA	M	R			1		3				5				SALEABLE		34951-1210	34951-1220			
KEY A, BLACK, W/CPA	33472-1487	A-BLK	GC	PLR	CPA	M	R				2				6	7			11	12	SALEABLE		34951-1210	34951-1220		
KEY A, BLACK, WITH CLIPSLOT, W/O CPA	33472-1488	A-BLK-CLIP	GC	PLR		M	R								6		7	8	9	10	11	12	SALEABLE		N/A	N/A
KEY A, BLACK, WITH CLIPSLOT, W/O CPA	33472-1489	A-BLK-CLIP	GC	PLR		M	R					3					7	8	9		SALEABLE		N/A	N/A		
KEY A, BLACK, WITH CLIPSLOT, W/O CPA	33472-1490	A-BLK-CLIP	GC	PLR		M	R					3				6		9	10	11	12	SALEABLE		N/A	N/A	
KEY A, BLACK, WITH CLIPSLOT, W/O CPA	33472-1491	A-BLK-CLIP	GC	PLR		M	R								6		7	8		SALEABLE		N/A	N/A			
KEY A, BLACK, WITH CLIPSLOT, W/O CPA	33472-1492	A-BLK-CLIP	GC	PLR		M	R																			





**MX150 RECEPTACLE 2X6 SEALED ASSEMBLY MAT SEAL  
BOM AND PIN OUT SHEET**

ASSEMBLY DESCRIPTION	ASSEMBLY PART NUMBER	COMPONENT						BLOCKED TERMINALS												STATUS	COMMENTS	OPTIONAL ATTACHMENTS SOLD SEPERATELY					
		THE PRESENCE OF AN ABBREVIATION INDICATES THE PRESENCE OF THAT COMPONENT.						CAVITY WITH A NUMBER INDICATES BLOCKED TERMINAL POSITION CAVITY WITHOUT A NUMBER INDICATES OPEN TERMINAL POSITION														BACKSHELL WITH RIBS	BACKSHELL WITHOUT RIBS				
		HOUSING KEY/COLOR	GROMMET CAP	PLR	CPA	MAT SEAL	RING SEAL	1	2	3	4	5	6	7	8	9	10	11	12								
KEY A, BLACK, WITH CLIPSLOT, W/O CPA	33472-1503	A-BLK-CLIP	GC	PLR		M	R					4	5				8		10			SALEABLE			N/A	N/A	
KEY A, BLACK, WITH CLIPSLOT, W/O CPA	33472-1504	A-BLK-CLIP	GC	PLR		M	R	1	2			3	4			6			10		11	12	SALEABLE			N/A	N/A
KEY A, BLACK, WITH CLIPSLOT, W/O CPA	33472-1505	A-BLK-CLIP	GC	PLR		M	R					3	4								11	12	SALEABLE			N/A	N/A
KEY B, LIGHT GRAY, WITH CLIPSLOT, W/O CPA	33472-1506	B-LG-CLIP	GC	PLR		M	R	1							7						11		SALEABLE			N/A	N/A
KEY B, LIGHT GRAY, WITH CLIPSLOT, W/O CPA	33472-1507	B-LG-CLIP	GC	PLR		M	R							7								11	SALEABLE			N/A	N/A
KEY A, BLACK, WITH CLIPSLOT, W/O CPA	33472-1508	A-BLK-CLIP	GC	PLR		M	R	1							6	7	8	9					SALEABLE			N/A	N/A
KEY A, BLACK, WITH CLIPSLOT, W/O CPA	33472-1509	A-BLK-CLIP	GC	PLR		M	R					4			6		8						SALEABLE			N/A	N/A
KEY A, BLACK, WITH CLIPSLOT, W/O CPA	33472-1510	A-BLK-CLIP	GC	PLR		M	R		2			4				8	9	10					SALEABLE			N/A	N/A
KEY A, BLACK, WITH CLIPSLOT, W/O CPA	33472-1511	A-BLK-CLIP	GC	PLR		M	R									9	10						SALEABLE			N/A	N/A
KEY A, BLACK, WITH CLIPSLOT, W/O CPA	33472-1512	A-BLK-CLIP	GC	PLR		M	R			2		3	4				8	9			11		SALEABLE			N/A	N/A
KEY A, BLACK, WITH CLIPSLOT, W/O CPA	33472-1513	A-BLK-CLIP	GC	PLR		M	R							5					10		11		SALEABLE			N/A	N/A
KEY A, BLACK, WITH CLIPSLOT, W/O CPA	33472-1514	A-BLK-CLIP	GC	PLR		M	R					4	5		7						11	12	SALEABLE			N/A	N/A
KEY A, BLACK, WITH CLIPSLOT, W/O CPA	33472-1515	A-BLK-CLIP	GC	PLR		M	R	1	2			3	4			7	8	9	10	11			SALEABLE			N/A	N/A
KEY A, BLACK, WITH CLIPSLOT, W/O CPA	33472-1516	A-BLK-CLIP	GC	PLR		M	R					4			6		8			10	11		SALEABLE			N/A	N/A
KEY A, BLACK, WITH CLIPSLOT, W/O CPA	33472-1517	A-BLK-CLIP	GC	PLR		M	R	1	2	3		4	5	6		8	9						SALEABLE			N/A	N/A
KEY A, BLACK, WITH CLIPSLOT, W/O CPA	33472-1518	A-BLK-CLIP	GC	PLR		M	R		2			4			6		8						SALEABLE			N/A	N/A
KEY A, BLACK, WITH CLIPSLOT, W/O CPA	33472-1519	A-BLK-CLIP	GC	PLR		M	R	1				3	4								11	12	SALEABLE			N/A	N/A
KEY A, BLACK, WITH CLIPSLOT, W/O CPA	33472-1520	A-BLK-CLIP	GC	PLR		M	R	1				3	4								11		SALEABLE			N/A	N/A
KEY A, BLACK, WITH CLIPSLOT, W/O CPA	33472-1521	A-BLK-CLIP	GC	PLR		M	R			2						8	9	10			11	12	SALEABLE			N/A	N/A
KEY A, BLACK, WITH CLIPSLOT, W/O CPA	33472-1522	A-BLK-CLIP	GC	PLR		M	R								7	8	9	10					SALEABLE			N/A	N/A
KEY A, BLACK, WITH CLIPSLOT, W/O CPA	33472-1523	A-BLK-CLIP	GC	PLR		M	R								7	8	9	10			11	12	SALEABLE			N/A	N/A
KEY A, BLACK, W/O CPA	33472-1524	A-BLK	GC	PLR		M	R		2	3			5	6	7		9	10	11	12			SALEABLE		34951-1210	34951-1220	
KEY A, BLACK, W/O CPA	33472-1525	A-BLK	GC	PLR		M	R	1	2	3		4				8	9						SALEABLE		34951-1210	34951-1220	
KEY A, BLACK, W/O CPA	33472-1526	A-BLK	GC	PLR		M	R			2	3					9							SALEABLE		34951-1210	34951-1220	
KEY A, BLACK, W/O CPA	33472-1527	A-BLK	GC	PLR		M	R								8			10	11				SALEABLE		34951-1210	34951-1220	
KEY A, BLACK, WITH CLIPSLOT, W/O CPA	33472-1528	A-BLK-CLIP	GC	PLR		M	R	1			3		5								11		SALEABLE		N/A	N/A	
KEY A, BLACK, W/O CPA	33472-1529	A-BLK	GC	PLR		M	R	1			3		5								11		SALEABLE		34951-1210	34951-1220	
KEY A, BLACK, WITH CLIPSLOT, W/O CPA	33472-1530	A-BLK-CLIP	GC	PLR		M	R		2						7	8							SALEABLE		N/A	N/A	
KEY A, BLACK, WITH CLIPSLOT, W/O CPA	33472-1531	A-BLK-CLIP	GC	PLR		M	R	1				4				7					11		SALEABLE		N/A	N/A	
KEY A, BLACK, WITH CLIPSLOT, W/O CPA	33472-1532	A-BLK-CLIP	GC	PLR		M	R			2	3		4	5	6	7		9	10	11	12		SALEABLE		N/A	N/A	
KEY A, BLACK, WITH CLIPSLOT, W/O CPA	33472-1533	A-BLK-CLIP	GC	PLR		M	R	1	2	3		4				8	9						SALEABLE		N/A	N/A	
KEY A, BLACK, WITH CLIPSLOT, W/O CPA	33472-1534	A-BLK-CLIP	GC	PLR		M	R			2	3						9						SALEABLE		N/A	N/A	
KEY A, BLACK, WITH CLIPSLOT, W/O CPA	33472-1535	A-BLK-CLIP	GC	PLR		M	R									8			10	11			SALEABLE		N/A	N/A	
KEY A, BLACK, WITH CLIPSLOT, W/O CPA	33472-1536	A-BLK-CLIP	GC	PLR		M	R	1			3		5			8				10	11		SALEABLE		N/A	N/A	
KEY A, BLACK, W/O CPA	33472-1537	A-BLK	GC	PLR		M	R	1							6	7	8	9	10				SALEABLE		34951-1210	34951-1220	
KEY A, BLACK, WITH CLIPSLOT, W/O CPA	33472-1538	A-BLK-CLIP	GC	PLR		M	R								7		9	10					SALEABLE		N/A	N/A	
KEY B, LIGHT GRAY, W/O CPA	33472-1539	B-LG	GC	PLR		M	R								7	8	9				12		SALEABLE		34951-1210	34951-1220	
KEY A, BLACK, WITH CLIPSLOT, W/O CPA	33472-1540	A-BLK-CLIP	GC	PLR		M	R	1							6	7	8	9	10				SALEABLE		N/A	N/A	
KEY A, BLACK, WITH CLIPSLOT, W/O CPA	33472-1541	A-BLK-CLIP	GC	PLR		M	R	1				4			6	7	8	9	10	11			SALEABLE		N/A	N/A	
KEY A, BLACK, WITH CLIPSLOT, W/O CPA	33472-1542	A-BLK-CLIP	GC	PLR		M	R	1	2	3			5	6	7	8	9	10			12		SALEABLE		N/A	N/A	
KEY A, BLACK, WITH CLIPSLOT, W/O CPA	33472-1543	A-BLK-CLIP	GC	PLR		M	R			2		4			6	7	8	9	10	11	12		SALEABLE		N/A	N/A	
KEY A, BLACK, WITH CLIPSLOT, W/O CPA	33472-1544	A-BLK-CLIP	GC	PLR		M	R				3	4					9	10	11	12			SALEABLE		N/A	N/A	
KEY A, BLACK, WITH CLIPSLOT, W/O CPA	33472-1545	A-BLK-CLIP	GC	PLR		M	R				3	4									11	12	SALEABLE		N/A	N/A	
KEY A, BLACK, WITH CLIPSLOT, W/O CPA	33472-1546	A-BLK-CLIP	GC	PLR		M	R	1	2				5	6	7	8	9	10					SALEABLE		N/A	N/A	
KEY A, BLACK, WITH CLIPSLOT, W/O CPA	33472-1547	A-BLK-CLIP	GC	PLR		M	R									9	10						SALEABLE		N/A	N/A	
KEY A, BLACK, W/CPA	33472-1548	A-BLK	GC	PLR	CPA	M	R						5										SALEABLE		34951-1210	34951-1220	
KEY A, BLACK, W/CPA	33472-1549	A-BLK	GC	PLR	CPA	M	R							6									SALEABLE		34951-1210	34951-1220	
KEY A, BLACK, WITH CLIPSLOT, W/O CPA	33472-1550	A-BLK-CLIP	GC	PLR		M	R												10	11	12		SALEABLE		N/A	N/A	
KEY A, BLACK, WITH CLIPSLOT, W/O CPA	33472-1551	A-BLK-CLIP	GC	PLR		M	R										9						SALEABLE		N/A	N/A	
KEY A, BLACK, WITH CLIPSLOT, W/O CPA	33472-1552	A-BLK-CLIP	GC	PLR		M	R			2						8	9	10	11	12			SALEABLE		N/A	N/A	
KEY A, BLACK, WITH CLIPSLOT, W/O CPA	33472-1553	A-BLK-CLIP	GC	PLR		M	R			2						8	9						SALEABLE		N/A	N/A	
KEY A, BLACK, W/O CPA	33472-1554	A-BLK	GC	PLR		M	R									7	8	9	10	11	12		SALEABLE	SEE P/N 33472-1484	34951-1210	34951-1220	
KEY A, BLACK, W/CPA	33472-1555	A-BLK	GC	PLR	CPA	M	R								7	8	9	10	11	12			SALEABLE		34951-1210	34951-1220	
KEY A, BLACK, WITH CLIPSLOT, W/O CPA	33472-1556	A-BLK-CLIP	GC	PLR		M	R						5						10	11			SALEABLE		N/A	N/A	
KEY A, BLACK, WITH CLIPSLOT, W/O CPA	33472-1557	A-BLK-CLIP	GC	PLR		M	R	1				4	5				8						SALEABLE		N/A	N/A	
KEY A, BLACK, WITH CLIPSLOT, W/O CPA	33472-1558	A-BLK-CLIP	GC	PLR		M	R	1	2	3		4					9	10	11	12			SALEABLE		N/A	N/A	
KEY A, BLACK, WITH CLIPSLOT, W/CPA	33472-1559	A-BLK-CLIP	GC	PLR	CPA	M	R	1	2	3		4	5	6	7	8							SALEABLE		N/A	N/A	
KEY A, BLACK, WITH CLIPSLOT, W/O CPA	33472-1560	A-BLK-CLIP	GC	PLR		M	R			2									10	11	12		SALEABLE		N/A	N/A	
KEY A, BLACK, WITH CLIPSLOT, W/O CPA	33472-1561	A-BLK-CLIP	GC	PLR		M	R												10				SALEABLE		N/A	N/A	
KEY A, BLACK, W/O CPA	33472-1562	A-BLK	GC	PLR		M	R	1					5	6	7	8						12	SALEABLE		34951-1210	34951-1220	
KEY A, BLACK, W/O CPA	33472-1563	A-BLK	GC	PLR		M	R	1	2	3			5	6	7	8					10	11	12	SALEABLE		34951-1210	34951-1220
KEY A, BLACK, WITH CLIPSLOT, W/O CPA	33472-1564	A-BLK-CLIP	GC	PLR		M	R									7	8	9					SALEABLE		N/A	N/A	
KEY B, LIGHT GRAY, WITH CLIPSLOT, W/O CPA	33472-1565	B-LG-CLIP	GC	PLR		M	R						5			8	9	10					SALEABLE		N/A	N/A	
KEY B, LIGHT GRAY, WITH CLIPSLOT, W/O CPA	33472-1566	B-LG-CLIP	GC	PLR		M	R									8							SALEABLE		N/A	N/A	
KEY A, BLACK, WITH CLIPSLOT, W/O CPA	33472-1567	A-BLK-CLIP	GC	PLR		M	R					4	5			7	8	9	10	11	12		SALEABLE		N/A	N/A	
KEY A, BLACK, W/CPA	33472-1568	A-BLK	GC	PLR	CPA	M	R									8							SALEABLE		34951-1210	34951-1220	
KEY A, BLACK, W/CPA	33472-1569	A-BLK	GC	PLR	CPA	M	R	1	2	3		4			6		8	9	10	11	12		SALEABLE		34951-1210	34951-1220	
KEY A, BLACK, W/CPA	33472-1570	A-BLK	GC	PLR	CPA	M	R	1	2	3				6			8				11	12	SALEABLE		34951-1210	34951-1220	

MX150 RECEPTACLE 2X6 SEALED ASSEMBLY MAT SEAL  
BOM AND PIN OUT SHEET

ASSEMBLY DESCRIPTION	ASSEMBLY PART NUMBER	COMPONENT						BLOCKED TERMINALS												STATUS	COMMENTS	OPTIONAL ATTACHMENTS SOLD SEPERATELY				
		THE PRESENCE OF AN ABBREVIATION INDICATES THE PRESENCE OF THAT COMPONENT.						CAVITY WITH A NUMBER INDICATES BLOCKED TERMINAL POSITION CAVITY WITHOUT A NUMBER INDICATES OPEN TERMINAL POSITION														BACKSHELL WITH RIBS	BACKSHELL WITHOUT RIBS			
		HOUSING KEY/COLOR	GROMMET CAP	PLR	CPA	MAT SEAL	RING SEAL	1	2	3	4	5	6	7	8	9	10	11	12							
KEY A, BLACK, WITH CLIPSLOT, W/O CPA	33472-1584	A-BLK-CLIP	GC	PLR		M	R	1	2					5		7	8	9	10	11	12	SALEABLE		N/A	N/A	
KEY A, BLACK, WITH CLIPSLOT, W/O CPA	33472-1585	A-BLK-CLIP	GC	PLR		M	R							5		7	8	9		11	12	SALEABLE		N/A	N/A	
KEY A, BLACK, WITH CLIPSLOT, W/O CPA	33472-1586	A-BLK-CLIP	GC	PLR		M	R	1	2					5					10		12	SALEABLE		N/A	N/A	
KEY C, DARK GRAY, WITH CLIPSLOT, W/O CPA	33472-1587	C-DG-CLIP	GC	PLR		M	R	1	2					5	6	7						SALEABLE		N/A	N/A	
KEY C, DARK GRAY, WITH CLIPSLOT, W/O CPA	33472-1588	C-DG-CLIP	GC	PLR		M	R	1	2	3	4	5	6	7								SALEABLE		N/A	N/A	
KEY A, BLACK, WITH CLIPSLOT, W/O CPA	33472-1589	A-BLK-CLIP	GC	PLR		M	R	1	2	3						7	8	9	10			SALEABLE		N/A	N/A	
KEY A, BLACK, WITH CLIPSLOT, W/O CPA	33472-1590	A-BLK-CLIP	GC	PLR		M	R	1	2	3	4	5	6	7	8				11	12		SALEABLE		N/A	N/A	
KEY A, BLACK, WITH CLIPSLOT, W/O CPA	33472-1591	A-BLK-CLIP	GC	PLR		M	R				4	5	6	7					11	12		SALEABLE		N/A	N/A	
KEY A, BLACK, WITH CLIPSLOT, W/O CPA	33472-1592	A-BLK-CLIP	GC	PLR		M	R					5	6				9	10	11			SALEABLE		N/A	N/A	
KEY A, BLACK, WITH CLIPSLOT, W/O CPA	33472-1593	A-BLK-CLIP	GC	PLR		M	R					5	6									SALEABLE		N/A	N/A	
KEY B, LIGHT GRAY, W/CPA	33472-1594	B-LG	GC	PLR	CPA	M	R	1					6					10		12		SALEABLE		N/A	N/A	
KEY A, BLACK, WITH CLIPSLOT, W/O CPA	33472-1595	A-BLK-CLIP	GC	PLR		M	R							5		7		9		12		SALEABLE		N/A	N/A	
KEY A, BLACK, WITH CLIPSLOT, W/O CPA	33472-1596	A-BLK-CLIP	GC	PLR		M	R							5			9	10	11	12		SALEABLE		N/A	N/A	
KEY A, BLACK, WITH CLIPSLOT, W/O CPA	33472-1597	A-BLK-CLIP	GC	PLR		M	R							5		7		9	10	11	12	SALEABLE		N/A	N/A	
KEY A, BLACK, WITH CLIPSLOT, W/O CPA	33472-1598	A-BLK-CLIP	GC	PLR		M	R	1	2	3	4	5	6	7	8	9					12	SALEABLE		N/A	N/A	
KEY A, BLACK, WITH CLIPSLOT, W/O CPA	33472-1599	A-BLK-CLIP	GC	PLR		M	R	1	2	3	4	5	6	7	8	9	10	11	12			SALEABLE		N/A	N/A	
KEY A, BLACK, WITH CLIPSLOT, W/O CPA	33472-6001	A-BLK-CLIP	GC	PLR		M	R	1	2	3					7	8						SALEABLE		N/A	N/A	
KEY A, BLACK, WITH CLIPSLOT, W/O CPA	33472-6002	A-BLK-CLIP	GC	PLR		M	R								7	8	9	10	11	12		SALEABLE		N/A	N/A	
KEY A, BLACK, WITH CLIPSLOT, W/O CPA	33472-6003	A-BLK-CLIP	GC	PLR		M	R				4	5				9	10	11	12			SALEABLE		N/A	N/A	
KEY A, BLACK, WITH CLIPSLOT, W/O CPA	33472-6004	A-BLK-CLIP	GC	PLR		M	R		2						8	9	10	11				SALEABLE		N/A	N/A	
KEY A, BLACK, WITH CLIPSLOT, W/O CPA	33472-6005	A-BLK-CLIP	GC	PLR		M	R	1	2	3	4	5	6	7	8	9	10					SALEABLE		N/A	N/A	
KEY B, LIGHT GRAY, WITH CLIPSLOT, W/O CPA	33472-6006	B-LG-CLIP	GC	PLR		M	R								7	8	9			12		SALEABLE		N/A	N/A	
KEY A, BLACK, WITH CLIPSLOT, W/O CPA	33472-6007	A-BLK-CLIP	GC	PLR		M	R									7			11	12		SALEABLE		N/A	N/A	
KEY A, BLACK, WITH CLIPSLOT, W/O CPA	33472-6008	A-BLK-CLIP	GC	PLR		M	R	1		3	4	5	6	7	8	9	10	11				SALEABLE		N/A	N/A	
KEY A, BLACK, WITH CLIPSLOT, W/O CPA	33472-6009	A-BLK-CLIP	GC	PLR		M	R	1		3					5	6	7	8	9	10		SALEABLE		N/A	N/A	
KEY A, BLACK, WITH CLIPSLOT, W/O CPA	33472-6010	A-BLK-CLIP	GC	PLR		M	R	1	2	3	4								11	12		SALEABLE		N/A	N/A	
KEY B, LIGHT GRAY, WITH CLIPSLOT, W/O CPA	33472-6011	B-LG-CLIP	GC	PLR		M	R	1											11			SALEABLE		N/A	N/A	
KEY B, LIGHT GRAY, WITH CLIPSLOT, W/O CPA	33472-6012	B-LG-CLIP	GC	PLR		M	R												11			SALEABLE		N/A	N/A	
KEY A, BLACK, W/CPA	33472-6013	A-BLK	GC	PLR	CPA	M	R								6	8	9	10	11	12		SALEABLE		34951-1210	34951-1220	
KEY B, LIGHT GRAY, W/CPA	33472-6014	B-LG	GC	PLR	CPA	M	R								6	8	9	10	11	12		SALEABLE		34951-1210	34951-1220	
KEY A, BLACK, WITH CLIPSLOT, W/O CPA	33472-6015	A-BLK-CLIP	GC	PLR		M	R	1	2	3	4					8	9	10	11	12		SALEABLE		N/A	N/A	
KEY A, BLACK, WITH CLIPSLOT, W/CPA	33472-6016	A-BLK-CLIP	GC	PLR	CPA	M	R			2	3					7		9	10	11	12	SALEABLE		N/A	N/A	
KEY A, BLACK, WITH CLIPSLOT, W/CPA	33472-6017	A-BLK-CLIP	GC	PLR	CPA	M	R			2	3											SALEABLE		N/A	N/A	
KEY A, BLACK, WITH CLIPSLOT, W/CPA	33472-6018	A-BLK-CLIP	GC	PLR	CPA	M	R			2						7		9	10	11	12	SALEABLE		N/A	N/A	
KEY A, BLACK, WITH CLIPSLOT, W/CPA	33472-6019	A-BLK-CLIP	GC	PLR	CPA	M	R			2												SALEABLE		N/A	N/A	
KEY A, BLACK, W/CPA	33472-6020	A-BLK	GC	PLR	CPA	M	R				4	5	6	7	8	9	10	11				SALEABLE		34951-1210	34951-1220	
KEY A, BLACK, W/O CPA	33472-6021	A-BLK	GC	PLR		M	R								7	8	9	10	11			SALEABLE		34951-1210	34951-1220	
KEY A, BLACK, W/O CPA	33472-6022	A-BLK	GC	PLR		M	R								7	8						SALEABLE		34951-1210	34951-1220	
KEY A, BLACK, W/O CPA	33472-6023	A-BLK	GC	PLR		M	R			2							9	10				SALEABLE		34951-1210	34951-1220	
KEY A, BLACK, W/O CPA	33472-6024	A-BLK	GC	PLR		M	R			2		4										SALEABLE		34951-1210	34951-1220	
KEY A, BLACK, W/O CPA	33472-6025	A-BLK	GC	PLR		M	R			2	3								11			SALEABLE		34951-1210	34951-1220	
KEY A, BLACK, W/O CPA	33472-6026	A-BLK	GC	PLR		M	R			2	3			5	6	7	8			11		SALEABLE		34951-1210	34951-1220	
KEY A, BLACK, W/O CPA	33472-6027	A-BLK	GC	PLR		M	R	1						5	6	7	8					SALEABLE		34951-1210	34951-1220	
KEY A, BLACK, W/O CPA	33472-6028	A-BLK	GC	PLR		M	R			2	3				6	7	8			10	11	SALEABLE		34951-1210	34951-1220	
KEY A, BLACK, W/O CPA	33472-6029	A-BLK	GC	PLR		M	R													11		SALEABLE		34951-1210	34951-1220	
KEY A, BLACK, W/O CPA	33472-6030	A-BLK	GC	PLR		M	R			2	3	4				7	8					SALEABLE		34951-1210	34951-1220	
KEY A, BLACK, W/O CPA	33472-6031	A-BLK	GC	PLR		M	R	1			3	4	5	6	7	8						SALEABLE		34951-1210	34951-1220	
KEY A, BLACK, W/O CPA	33472-6032	A-BLK	GC	PLR		M	R					4	5	6	7	8	9					SALEABLE		34951-1210	34951-1220	
KEY A, BLACK, W/O CPA	33472-6033	A-BLK	GC	PLR		M	R								6	7	8					SALEABLE		34951-1210	34951-1220	
KEY A, BLACK, W/O CPA	33472-6034	A-BLK	GC	PLR		M	R			2							8		10	11		SALEABLE		34951-1210	34951-1220	
KEY A, BLACK, W/O CPA	33472-6035	A-BLK	GC	PLR		M	R				3	4	5					9	10			SALEABLE		34951-1210	34951-1220	
KEY A, BLACK, W/O CPA	33472-6036	A-BLK	GC	PLR		M	R															SALEABLE		34951-1210	34951-1220	
KEY A, BLACK, W/O CPA	33472-6037	A-BLK	GC	PLR		M	R			2	3	4	5						10	11	12	SALEABLE		34951-1210	34951-1220	
KEY A, BLACK, W/O CPA	33472-6038	A-BLK	GC	PLR		M	R	1							6	7		9				SALEABLE		34951-1210	34951-1220	
KEY A, BLACK, W/O CPA	33472-6039	A-BLK	GC	PLR		M	R			2	3	4	5	6	7	8				10	11	12	SALEABLE		34951-1210	34951-1220
KEY A, BLACK, W/O CPA	33472-6040	A-BLK	GC	PLR		M	R			2	3									11		SALEABLE		34951-1210	34951-1220	
KEY A, BLACK, W/O CPA	33472-6041	A-BLK	GC	PLR		M	R	1	2	3	4	5						9	10	11	12	SALEABLE		34951-1210	34951-1220	
KEY A, BLACK, W/O CPA	33472-6042	A-BLK	GC	PLR		M	R			2	3									10	11	SALEABLE		34951-1210	34951-1220	
KEY A, BLACK, W/O CPA	33472-6043	A-BLK	GC	PLR		M	R	1	2	3	4	5					8	9	10	11	12	SALEABLE		34951-1210	34951-1220	
KEY A, BLACK, W/O CPA	33472-6044	A-BLK	GC	PLR		M	R	1	2	3	4	5									12	SALEABLE		34951-1210	34951-1220	
KEY A, BLACK, W/O CPA	33472-6045	A-BLK	GC	PLR		M	R				3	4	5									SALEABLE		34951-1210	34951-1220	
KEY A, BLACK, W/O CPA	33472-6046	A-BLK	GC	PLR		M	R				3	4	5	6	7	8	9	10	11			SALEABLE		34951-1210	34951-1220	
KEY A, BLACK, W/O CPA	33472-6047	A-BLK	GC	PLR		M	R			2	3					8	9	10	11	12		SALEABLE		34951-1210	34951-1220	
KEY A, BLACK, W/O CPA	33472-6048	A-BLK	GC	PLR		M	R			2	3					8	9					SALEABLE		34951-1210	34951-1220	
KEY A, BLACK, W/O CPA	33472-6049	A-BLK	GC	PLR		M	R	1	2	3										11	12	SALEABLE		34951-1210	34951-1220	
KEY A, BLACK, W/O CPA	33472-6050	A-BLK	GC	PLR		M	R	1	2	3	4					6	8			10	11	12	SALEABLE		34951-1210	34951-1220
KEY A, BLACK, W/O CPA	33472-6051	A-BLK	GC	PLR		M	R			2					4	6	8			10	11	12	SALEABLE		34951-1210	34951-1220
KEY A, BLACK, W/O CPA	33472-6052	A-BLK	GC	PLR		M	R													11	12		SALEABLE		34951-1210	34951-1220
KEY A, BLACK, W/O CPA	33472-6053	A-BLK	GC	PLR		M	R	1	2</																	



**MX150 RECEPTACLE 2X6 SEALED ASSEMBLY MAT SEAL  
BOM AND PIN OUT SHEET**

ASSEMBLY DESCRIPTION	ASSEMBLY PART NUMBER	COMPONENT							BLOCKED TERMINALS												STATUS	COMMENTS	OPTIONAL ATTACHMENTS SOLD SEPERATELY						
		THE PRESENCE OF AN ABBREVIATION INDICATES THE PRESENCE OF THAT COMPONENT.							CAVITY WITH A NUMBER INDICATES BLOCKED TERMINAL POSITION CAVITY WITHOUT A NUMBER INDICATES OPEN TERMINAL POSITION														BACKSHELL WITH RIBS	BACKSHELL WITHOUT RIBS					
		HOUSING KEY/COLOR	GROMMET CAP	PLR	CPA	MAT SEAL	RING SEAL	1	2	3	4	5	6	7	8	9	10	11	12										
KEY A, BLACK, W/O CPA	33472-6066	A-BLK	GC	PLR		M	R	1	2					4	5	6	7	8							SALEABLE		34951-1210	34951-1220	
KEY A, BLACK, W/O CPA	33472-6067	A-BLK	GC	PLR		M	R							4	5	6	7	8			10				SALEABLE		34951-1210	34951-1220	
KEY A, BLACK, W/O CPA	33472-6068	A-BLK	GC	PLR		M	R	1	2	3	4	5	6					9	10	11	12				SALEABLE		34951-1210	34951-1220	
KEY A, BLACK, W/O CPA	33472-6069	A-BLK	GC	PLR		M	R	1			4									11					SALEABLE		34951-1210	34951-1220	
KEY A, BLACK, W/O CPA	33472-6070	A-BLK	GC	PLR		M	R											9	10	11	12				SALEABLE		34951-1210	34951-1220	
KEY A, BLACK, W/O CPA	33472-6071	A-BLK	GC	PLR		M	R	1	2	3	4	5	6	7	8							12				SALEABLE		34951-1210	34951-1220
KEY A, BLACK, W/O CPA	33472-6072	A-BLK	GC	PLR		M	R	1	2				6	7	8							12				SALEABLE		34951-1210	34951-1220
KEY A, BLACK, W/O CPA	33472-6073	A-BLK	GC	PLR		M	R	1	2					7	8											SALEABLE		34951-1210	34951-1220
KEY A, BLACK, W/O CPA	33472-6074	A-BLK	GC	PLR		M	R	1					6	7	8							12				SALEABLE		34951-1210	34951-1220
KEY A, BLACK, W/O CPA	33472-6075	A-BLK	GC	PLR		M	R							7	8							12				SALEABLE		34951-1210	34951-1220
KEY A, BLACK, W/O CPA	33472-6076	A-BLK	GC	PLR		M	R		2		4				7	8	9	10								SALEABLE		34951-1210	34951-1220
KEY A, BLACK, W/O CPA	33472-6077	A-BLK	GC	PLR		M	R			3		5	6	7	8	9	10	11	12							SALEABLE		34951-1210	34951-1220
KEY A, BLACK, W/O CPA	33472-6078	A-BLK	GC	PLR		M	R				3				7	8	9	10	11	12						SALEABLE		34951-1210	34951-1220
KEY A, BLACK, W/O CPA	33472-6079	A-BLK	GC	PLR		M	R	1	2	3	4		6	7	8	9	10					12				SALEABLE		34951-1210	34951-1220
KEY A, BLACK, W/O CPA	33472-6080	A-BLK	GC	PLR		M	R	1	2	3	4				7	8	9	10								SALEABLE		34951-1210	34951-1220
KEY A, BLACK, W/O CPA	33472-6081	A-BLK	GC	PLR		M	R						6		8	9	10	11	12							SALEABLE		34951-1210	34951-1220
KEY A, BLACK, W/O CPA	33472-6082	A-BLK	GC	PLR		M	R								8	9	10	11	12							SALEABLE		34951-1210	34951-1220
KEY A, BLACK, W/O CPA	33472-6083	A-BLK	GC	PLR		M	R								8	9			11							SALEABLE		34951-1210	34951-1220
KEY A, BLACK, W/O CPA	33472-6084	A-BLK	GC	PLR		M	R	1	2	3					8		10	11	12							SALEABLE		34951-1210	34951-1220
KEY A, BLACK, W/O CPA	33472-6085	A-BLK	GC	PLR		M	R				3		5	6		8	9	10	11	12						SALEABLE		34951-1210	34951-1220
KEY A, BLACK, W/O CPA	33472-6086	A-BLK	GC	PLR		M	R		2	3				6	7	8	9	10	11	12						SALEABLE		34951-1210	34951-1220
KEY A, BLACK, W/O CPA	33472-6087	A-BLK	GC	PLR		M	R				3	4	5	6		8	9	10	11	12						SALEABLE		34951-1210	34951-1220
KEY A, BLACK, W/O CPA	33472-6088	A-BLK	GC	PLR		M	R								8	9										SALEABLE		34951-1210	34951-1220
KEY A, BLACK, W/O CPA	33472-6089	A-BLK	GC	PLR		M	R				3	4	5	6	7	8	9	10	11	12						SALEABLE		34951-1210	34951-1220
KEY A, BLACK, W/O CPA	33472-6090	A-BLK	GC	PLR		M	R	1	2																	SALEABLE		34951-1210	34951-1220
KEY A, BLACK, W/O CPA	33472-6091	A-BLK	GC	PLR		M	R	1	2	3	4	5	6	7	8											SALEABLE		34951-1210	34951-1220
KEY A, BLACK, W/O CPA	33472-6092	A-BLK	GC	PLR		M	R	1	2	3	4	5	6	7	8	9										SALEABLE		34951-1210	34951-1220
KEY A, BLACK, W/O CPA	33472-6093	A-BLK	GC	PLR		M	R	1	2	3			6	7	8						10	11	12			SALEABLE		34951-1210	34951-1220
KEY A, BLACK, W/O CPA	33472-6094	A-BLK	GC	PLR		M	R				4										10					SALEABLE		34951-1210	34951-1220
KEY A, BLACK, W/O CPA	33472-6095	A-BLK	GC	PLR		M	R	1							8						10	11				SALEABLE		34951-1210	34951-1220
KEY A, BLACK, W/O CPA	33472-6096	A-BLK	GC	PLR		M	R				3	4	5	6			9	10	11							SALEABLE		34951-1210	34951-1220
KEY A, BLACK, W/O CPA	33472-6097	A-BLK	GC	PLR		M	R								8	9	10									SALEABLE		34951-1210	34951-1220
KEY A, BLACK, W/O CPA	33472-6098	A-BLK	GC	PLR		M	R	1	2		4				7	8						12				SALEABLE		34951-1210	34951-1220
KEY A, BLACK, W/O CPA	33472-6099	A-BLK	GC	PLR		M	R		2	3		5								11						SALEABLE		34951-1210	34951-1220
KEY A, BLACK, W/O CPA	33472-6100	A-BLK	GC	PLR		M	R	1	2	3							9				11					SALEABLE		34951-1210	34951-1220
KEY A, BLACK, W/O CPA	33472-6101	A-BLK	GC	PLR		M	R	1	2	3		5														SALEABLE		34951-1210	34951-1220
KEY A, BLACK, W/O CPA	33472-6102	A-BLK	GC	PLR		M	R	1	2	3	4	5		7	8											SALEABLE		34951-1210	34951-1220
KEY A, BLACK, W/O CPA	33472-6103	A-BLK	GC	PLR		M	R					5			8											SALEABLE		34951-1210	34951-1220
KEY A, BLACK, W/O CPA	33472-6104	A-BLK	GC	PLR		M	R		2			5					9									SALEABLE		34951-1210	34951-1220
KEY A, BLACK, W/O CPA	33472-6105	A-BLK	GC	PLR		M	R		2			5		7									12			SALEABLE		34951-1210	34951-1220
KEY A, BLACK, W/O CPA	33472-6106	A-BLK	GC	PLR		M	R			2							9									SALEABLE		34951-1210	34951-1220
KEY A, BLACK, W/O CPA	33472-6107	A-BLK	GC	PLR		M	R	1	2	3	4		6								11	12				SALEABLE		34951-1210	34951-1220
KEY A, BLACK, W/O CPA	33472-6108	A-BLK	GC	PLR		M	R		2						8											SALEABLE		34951-1210	34951-1220
KEY A, BLACK, W/O CPA	33472-6109	A-BLK	GC	PLR		M	R			2	4				8											SALEABLE		34951-1210	34951-1220
KEY A, BLACK, W/O CPA	33472-6110	A-BLK	GC	PLR		M	R	1	2	3	4	5	6	7	8											SALEABLE		34951-1210	34951-1220
KEY A, BLACK, W/O CPA	33472-6111	A-BLK	GC	PLR		M	R	1			3		5	6	7	8	9	10	11	12						SALEABLE		34951-1210	34951-1220
KEY A, BLACK, W/O CPA	33472-6112	A-BLK	GC	PLR		M	R					4	5	6	7	8	9	10	11	12						SALEABLE		34951-1210	34951-1220
KEY A, BLACK, W/O CPA	33472-6113	A-BLK	GC	PLR		M	R					4	5	6	7	8	9	10	11	12						SALEABLE		34951-1210	34951-1220
KEY A, BLACK, W/O CPA	33472-6114	A-BLK	GC	PLR		M	R	1	2	3	4	5	6	7	8	9	10	11	12							SALEABLE		34951-1210	34951-1220
KEY A, BLACK, W/O CPA	33472-6115	A-BLK	GC	PLR		M	R	1	2	3	4	5	6	7	8	9	10									SALEABLE		34951-1210	34951-1220
KEY A, BLACK, W/O CPA	33472-6116	A-BLK	GC	PLR		M	R					5	6	7	8											SALEABLE		34951-1210	34951-1220
KEY A, BLACK, W/O CPA	33472-6117	A-BLK	GC	PLR		M	R	1	2		4	5	6	7												SALEABLE		34951-1210	34951-1220
KEY A, BLACK, W/O CPA	33472-6118	A-BLK	GC	PLR		M	R							7	8						11					SALEABLE		34951-1210	34951-1220
KEY A, BLACK, W/O CPA	33472-6119	A-BLK	GC	PLR		M	R	1	2	3	4				7	8	9	10	11							SALEABLE		34951-1210	34951-1220
KEY A, BLACK, W/O CPA	33472-6120	A-BLK	GC	PLR		M	R					5	6	7	8	9	10									SALEABLE		34951-1210	34951-1220
KEY A, BLACK, W/O CPA	33472-6121	A-BLK	GC	PLR		M	R	1	2		4	5	6	7	8	9	10	11	12							SALEABLE		34951-1210	34951-1220
KEY A, BLACK, W/O CPA	33472-6122	A-BLK	GC	PLR		M	R					5			8	9										SALEABLE		34951-1210	34951-1220
KEY A, BLACK, W/O CPA	33472-6123	A-BLK	GC	PLR		M	R					5		7	8	9										SALEABLE		34951-1210	34951-1220
KEY A, BLACK, W/O CPA	33472-6124	A-BLK	GC	PLR		M	R				4	5			9	10	11	12								SALEABLE		34951-1210	34951-1220
KEY A, BLACK, W/O CPA	33472-6125	A-BLK	GC	PLR		M	R					3		6	7	8	9	10	11	12						SALEABLE		34951-1210	34951-1220
KEY A, BLACK, W/O CPA	33472-6126	A-BLK	GC	PLR		M	R					3			7	8	9									SALEABLE		34951-1210	34951-1220
KEY A, BLACK, W/O CPA	33472-6127</																												



**MX150 RECEPTACLE 2X6 SEALED ASSEMBLY MAT SEAL  
BOM AND PIN OUT SHEET**

ASSEMBLY DESCRIPTION	ASSEMBLY PART NUMBER	COMPONENT						BLOCKED TERMINALS												STATUS	COMMENTS	OPTIONAL ATTACHMENTS SOLD SEPERATELY				
		THE PRESENCE OF AN ABBREVIATION INDICATES THE PRESENCE OF THAT COMPONENT.						CAVITY WITH A NUMBER INDICATES BLOCKED TERMINAL POSITION CAVITY WITHOUT A NUMBER INDICATES OPEN TERMINAL POSITION														BACKSHELL WITH RIBS	BACKSHELL WITHOUT RIBS			
		HOUSING KEY/COLOR	GROMMET CAP	PLR	CPA	MAT SEAL	RING SEAL	1	2	3	4	5	6	7	8	9	10	11	12							
KEY A, BLACK, W/O CPA	33472-6147	A-BLK	GC	PLR		M	R							5				10	11		12	SALEABLE		34951-1210	34951-1220	
KEY A, BLACK, W/O CPA	33472-6148	A-BLK	GC	PLR		M	R					4		5			7				11	12	SALEABLE		34951-1210	34951-1220
KEY A, BLACK, W/O CPA	33472-6149	A-BLK	GC	PLR		M	R	1	2	3	4			5	6	7	8	9	10	11			SALEABLE		34951-1210	34951-1220
KEY A, BLACK, W/O CPA	33472-6150	A-BLK	GC	PLR		M	R				4			5	6		8		10	11			SALEABLE		34951-1210	34951-1220
KEY A, BLACK, W/O CPA	33472-6151	A-BLK	GC	PLR		M	R	1	2	3	4			5	6		8	9					SALEABLE		34951-1210	34951-1220
KEY A, BLACK, W/O CPA	33472-6152	A-BLK	GC	PLR		M	R			2				4			6						SALEABLE		34951-1210	34951-1220
KEY A, BLACK, W/O CPA	33472-6153	A-BLK	GC	PLR		M	R	1			3	4								11	12		SALEABLE		34951-1210	34951-1220
KEY A, BLACK, W/O CPA	33472-6154	A-BLK	GC	PLR		M	R	1			3	4									11		SALEABLE		34951-1210	34951-1220
KEY A, BLACK, W/O CPA	33472-6155	A-BLK	GC	PLR		M	R									7	8	9	10				SALEABLE		34951-1210	34951-1220
KEY A, BLACK, W/O CPA	33472-6156	A-BLK	GC	PLR		M	R									7	8	9	10			12	SALEABLE		34951-1210	34951-1220
KEY A, BLACK, W/O CPA	33472-6157	A-BLK	GC	PLR		M	R		2							7	8						SALEABLE		34951-1210	34951-1220
KEY A, BLACK, W/O CPA	33472-6158	A-BLK	GC	PLR		M	R			3	4									11	12		SALEABLE		34951-1210	34951-1220
KEY A, BLACK, W/O CPA	33472-6159	A-BLK	GC	PLR		M	R	1			4										11		SALEABLE		34951-1210	34951-1220
KEY A, BLACK, W/O CPA	33472-6160	A-BLK	GC	PLR		M	R									7		9	10				SALEABLE		34951-1210	34951-1220
KEY A, BLACK, W/O CPA	33472-6161	A-BLK	GC	PLR		M	R	1							6	7	8	9	10				SALEABLE		34951-1210	34951-1220
KEY A, BLACK, W/O CPA	33472-6162	A-BLK	GC	PLR		M	R	1			4				6	7	8	9	10	11			SALEABLE		34951-1210	34951-1220
KEY A, BLACK, W/O CPA	33472-6163	A-BLK	GC	PLR		M	R	1	2	3				5	6	7	8	9	10			12	SALEABLE		34951-1210	34951-1220
KEY A, BLACK, W/O CPA	33472-6164	A-BLK	GC	PLR		M	R	1	2					5	6	7	8	9	10				SALEABLE		34951-1210	34951-1220
KEY A, BLACK, W/O CPA	33472-6165	A-BLK	GC	PLR		M	R		2	3						8	9	10	11				SALEABLE		34951-1210	34951-1220
KEY A, BLACK, W/O CPA	33472-6166	A-BLK	GC	PLR		M	R	1			4			5			8		10			12	SALEABLE		34951-1210	34951-1220
KEY A, BLACK, W/O CPA	33472-6167	A-BLK	GC	PLR		M	R	1	2	3	4					9	10	11	12				SALEABLE		34951-1210	34951-1220
KEY A, BLACK, W/O CPA	33472-6168	A-BLK	GC	PLR		M	R		2										10	11	12		SALEABLE		34951-1210	34951-1220
KEY A, BLACK, W/O CPA	33472-6169	A-BLK	GC	PLR		M	R												10				SALEABLE		34951-1210	34951-1220
KEY A, BLACK, W/O CPA	33472-6170	A-BLK	GC	PLR		M	R															12	SALEABLE		34951-1210	34951-1220
KEY A, BLACK, W/O CPA	33472-6171	A-BLK	GC	PLR		M	R				4	5			7	8	9					12	SALEABLE		34951-1210	34951-1220
KEY A, BLACK, W/O CPA	33472-6172	A-BLK	GC	PLR		M	R				4	5			7	8			10	11	12		SALEABLE		34951-1210	34951-1220
KEY A, BLACK, W/O CPA	33472-6173	A-BLK	GC	PLR		M	R		2					5		8	9	10	11				SALEABLE		34951-1210	34951-1220
KEY A, BLACK, W/O CPA	33472-6174	A-BLK	GC	PLR		M	R							5									SALEABLE		34951-1210	34951-1220
KEY A, BLACK, W/O CPA	33472-6175	A-BLK	GC	PLR		M	R	1	2					5		7	8	9	10	11	12		SALEABLE		34951-1210	34951-1220
KEY A, BLACK, W/O CPA	33472-6176	A-BLK	GC	PLR		M	R							5		7	8	9			11		SALEABLE		34951-1210	34951-1220
KEY A, BLACK, W/O CPA	33472-6177	A-BLK	GC	PLR		M	R	1	2					5					10			12	SALEABLE		34951-1210	34951-1220
KEY A, BLACK, W/O CPA	33472-6178	A-BLK	GC	PLR		M	R							5	6			9	10	11			SALEABLE		34951-1210	34951-1220
KEY A, BLACK, W/O CPA	33472-6179	A-BLK	GC	PLR		M	R							5	6							12	SALEABLE		34951-1210	34951-1220
KEY A, BLACK, W/O CPA	33472-6180	A-BLK	GC	PLR		M	R									7		9					SALEABLE		34951-1210	34951-1220
KEY A, BLACK, W/O CPA	33472-6181	A-BLK	GC	PLR		M	R							5				9	10	11			SALEABLE		34951-1210	34951-1220
KEY A, BLACK, W/O CPA	33472-6182	A-BLK	GC	PLR		M	R							5		7		9	10	11	12		SALEABLE		34951-1210	34951-1220
KEY A, BLACK, W/O CPA	33472-6183	A-BLK	GC	PLR		M	R	1	2	3	4			5	6	7	8	9				12	SALEABLE		34951-1210	34951-1220
KEY A, BLACK, W/O CPA	33472-6184	A-BLK	GC	PLR		M	R	1	2	3	4			5	6			9	10	11			SALEABLE		34951-1210	34951-1220
KEY A, BLACK, W/O CPA	33472-6185	A-BLK	GC	PLR		M	R									7				11	12		SALEABLE		34951-1210	34951-1220
KEY A, BLACK, W/O CPA	33472-6186	A-BLK	GC	PLR		M	R	1		3	4			5	6	7	8	9	10	11			SALEABLE		34951-1210	34951-1220
KEY A, BLACK, W/O CPA	33472-6187	A-BLK	GC	PLR		M	R	1		3	4			5	6	7	8	9	10				SALEABLE		34951-1210	34951-1220
KEY A, BLACK, W/O CPA	33472-6188	A-BLK	GC	PLR		M	R	1	2	3	4									11	12		SALEABLE		34951-1210	34951-1220
KEY A, BLACK, WITH CLIPSLOT, W/O CPA	33472-6189	A-BLK-CLIP	GC	PLR		M	R		2							7	8	9	10	11	12		SALEABLE	N/A	N/A	
KEY A, BLACK, WITH CLIPSLOT, W/O CPA	33472-6190	A-BLK-CLIP	GC	PLR		M	R	1	2							7	8	9	10	11	12		SALEABLE	N/A	N/A	
KEY A, BLACK, WITH CLIPSLOT, W/O CPA	33472-6191	A-BLK-CLIP	GC	PLR		M	R		2					6	7	8	9	10	11	12			SALEABLE	N/A	N/A	
KEY A, BLACK, WITH CLIPSLOT, W/O CPA	33472-6192	A-BLK-CLIP	GC	PLR		M	R		2					6	7	8							SALEABLE	N/A	N/A	
KEY A, BLACK, WITH CLIPSLOT, W/O CPA	33472-6193	A-BLK-CLIP	GC	PLR		M	R		2	3	4			6	7	8							SALEABLE	N/A	N/A	
KEY A, BLACK, WITH CLIPSLOT, W/O CPA	33472-6194	A-BLK-CLIP	GC	PLR		M	R							6	7	8	9						SALEABLE	N/A	N/A	
KEY A, BLACK, WITH CLIPSLOT, W/O CPA	33472-6195	A-BLK-CLIP	GC	PLR		M	R			3						9	10	11					SALEABLE	N/A	N/A	
KEY A, BLACK, WITH CLIPSLOT, W/O CPA	33472-6196	A-BLK-CLIP	GC	PLR		M	R	1	2		4	5	6	7	8	9					12		SALEABLE	N/A	N/A	
KEY A, BLACK, WITH CLIPSLOT, W/O CPA	33472-6197	A-BLK-CLIP	GC	PLR		M	R	1	2	3	4	5	6	7	8					11			SALEABLE	N/A	N/A	
KEY A, BLACK, WITH CLIPSLOT, W/O CPA	33472-6198	A-BLK-CLIP	GC	PLR		M	R		2					5		7			10				SALEABLE	N/A	N/A	
KEY A, BLACK, WITH CLIPSLOT, W/O CPA	33472-6199	A-BLK-CLIP	GC	PLR		M	R	1	2	3	4	5	6	7	8	9	10					12	SALEABLE	N/A	N/A	
KEY B, LIGHT GRAY, WITH CLIPSLOT, W/O CPA	33472-6200	B-LG-CLIP	GC	PLR		M	R			3	4	5				8	9	10	11	12			SALEABLE	N/A	N/A	
KEY A, BLACK, W/CPA	33472-6201	A-BLK	GC	PLR	CPA	M	R	1	2					5	6	7	8				11	12	SALEABLE		34951-1210	34951-1220
KEY B, LIGHT GRAY, W/CPA	33472-6202	B-LG	GC	PLR	CPA	M	R	1	2					5	6	7	8				11	12	SALEABLE		34951-1210	34951-1220
KEY A, BLACK, WITH CLIPSLOT, W/O CPA	33472-6203	A-BLK-CLIP	GC	PLR		M	R				4					7							SALEABLE	N/A	N/A	
KEY A, BLACK, WITH CLIPSLOT, W/O CPA	33472-6204	A-BLK-CLIP	GC	PLR		M	R				4			6	7								SALEABLE	N/A	N/A	
KEY A, BLACK, WITH CLIPSLOT, W/O CPA	33472-6205	A-BLK-CLIP	GC	PLR		M	R		2	3	4	5	6			8	9	10	11	12			SALEABLE	N/A	N/A	
KEY A, BLACK, WITH CLIPSLOT, W/CPA	33472-6206	A-BLK-CLIP	GC	PLR	CPA	M	R							5	6					11	12		SALEABLE	N/A	N/A	
KEY A, BLACK, WITH CLIPSLOT, W/CPA	33472-6207	A-BLK-CLIP	GC	PLR	CPA	M	R				3					8	9	10	11				SALEABLE	N/A	N/A	
KEY A, BLACK, WITH CLIPSLOT, W/CPA	33472-6208	A-BLK-CLIP	GC	PLR	CPA	M	R									8	9	10	11				SALEABLE	N/A	N/A	
KEY B, LIGHT GRAY, WITH CLIPSLOT, W/O CPA	33472-6209	B-LG-CLIP	GC	PLR		M	R	1						6	7				10	11	12		SALEABLE	N/A	N/A	
KEY A, BLACK, W/CPA	33472-6210	A-BLK	GC	PLR	CPA	M	R									8	9					12	SALEABLE		34951-1210	34951-1220
KEY A, BLACK, WITH CLIPSLOT, W/O CPA	33472-6211	A-BLK-CLIP	GC	PLR		M	R	1															SALEABLE	N/A	N/A	
KEY A, BLACK, W/CPA	33472-6212	A-BLK	GC	PLR	CPA	M	R							6		8						12	SALEABLE		34951-1210	34951-1220
KEY A, BLACK, W/CPA	33472-6213	A-BLK	GC	PLR	CPA	M	R									8						12				

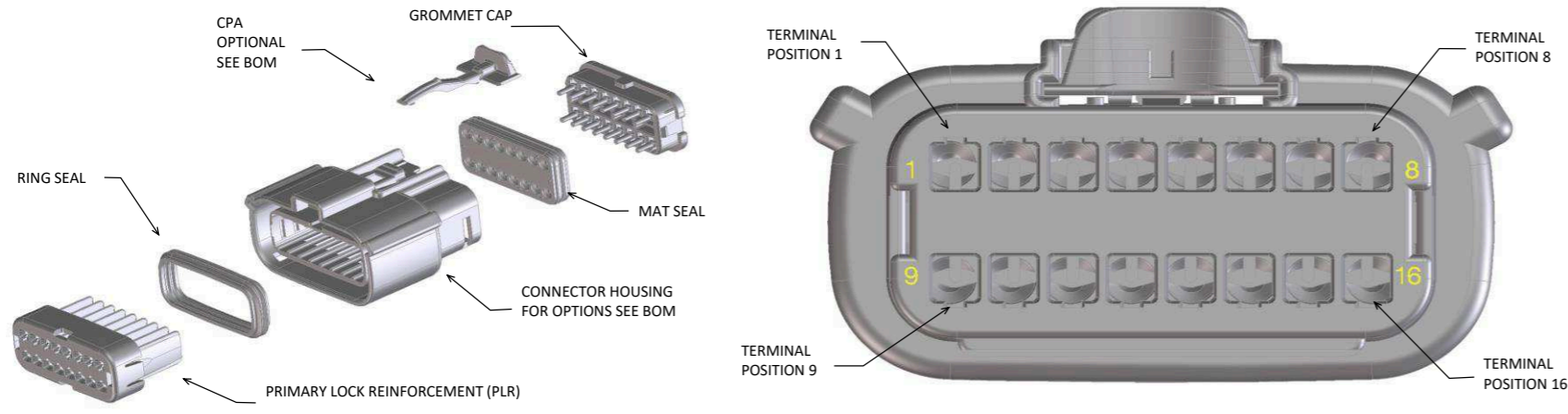


**MX150 RECEPTACLE 2X6 SEALED ASSEMBLY MAT SEAL  
BOM AND PIN OUT SHEET**

ASSEMBLY DESCRIPTION	ASSEMBLY PART NUMBER	COMPONENT						BLOCKED TERMINALS												STATUS	COMMENTS	OPTIONAL ATTACHMENTS SOLD SEPERATELY	
		THE PRESENCE OF AN ABBREVIATION INDICATES THE PRESENCE OF THAT COMPONENT.						CAVITY WITH A NUMBER INDICATES BLOCKED TERMINAL POSITION CAVITY WITHOUT A NUMBER INDICATES OPEN TERMINAL POSITION														BACKSHELL WITH RIBS	BACKSHELL WITHOUT RIBS
		HOUSING KEY/COLOR	GROMMET CAP	PLR	CPA	MAT SEAL	RING SEAL	1	2	3	4	5	6	7	8	9	10	11	12				
KEY B, LIGHT GRAY, W/O CPA	33472-6228	B-LG	GC	PLR		M	R	1	2	3	4	5		7				11	12	SALEABLE		34951-1210	34951-1220
KEY B, LIGHT GRAY, W/O CPA	33472-6229	B-LG	GC	PLR		M	R	1	2	3	4	5	6	7			10	11	12	SALEABLE		34951-1210	34951-1220
KEY B, LIGHT GRAY, W/O CPA	33472-6230	B-LG	GC	PLR		M	R						6	7			10	11	12	SALEABLE		34951-1210	34951-1220
KEY B, LIGHT GRAY, W/O CPA	33472-6231	B-LG	GC	PLR		M	R						6	7	8	9	10	11	12	SALEABLE		34951-1210	34951-1220
KEY B, LIGHT GRAY, W/O CPA	33472-6232	B-LG	GC	PLR		M	R			3				7						SALEABLE		34951-1210	34951-1220
KEY B, LIGHT GRAY, WITH CLIPSLOT, W/O CPA	33472-6233	B-LG-CLIP	GC	PLR		M	R							7				11	12	SALEABLE		N/A	N/A



MX150 RECEPTACLE 2X8 SEALED ASSEMBLY MAT SEAL  
BOM AND PIN OUT SHEET



ABBREVIATION	DESCRIPTION	COLOR	MATERIAL
A-BLK	HOUSING, KEYING OPTION A	BLACK	SPS/NYLON GF20
B-LG	HOUSING, KEYING OPTION B	LIGHT GRAY	SPS/NYLON GF20
C-BR	HOUSING, KEYING OPTION C	BROWN	SPS/NYLON GF20
D-GR	HOUSING, KEYING OPTION D	GREEN	SPS/NYLON GF20
C-DG	HOUSING, KEYING OPTION C	DARK GRAY	SPS/NYLON GF20
D-SG	HOUSING, KEYING OPTION D	STONE GRAY	SPS/NYLON GF20
A-YW	HOUSING, KEYING OPTION A	YELLOW	SPS/NYLON GF20
A-BLK-CLIP	HOUSING, KEYING OPTION A WITH CLIPSLOT	BLACK	SPS/NYLON GF20
B-LG-CLIP	HOUSING, KEYING OPTION B WITH CLIPSLOT	LIGHT GRAY	SPS/NYLON GF20
C-DG-CLIP	HOUSING, KEYING OPTION C WITH CLIPSLOT	DARK GRAY	SPS/NYLON GF20
D-SG-CLIP	HOUSING, KEYING OPTION D WITH CLIPSLOT	STONE GRAY	SPS/NYLON GF20
GC	GROMMET CAP	BLACK	SPS/NYLON GF20
PLR	PLR	NATURAL	SPS/NYLON GF20
CPA	CPA	RED	PBT GF30
M	MAT SEAL	LIGHT BLUE	INHERENTLY LUBRICATED SILICONE
R	RING SEAL	GREEN	INHERENTLY LUBRICATED SILICONE

FOR ADDITIONAL INFORMATION SEE SD-33472-0001

ASSEMBLY DESCRIPTION	ASSEMBLY PART NUMBER	COMPONENT							BLOCKED TERMINALS																STATUS	COMMENTS	OPTIONAL ATTACHMENTS SOLD SEPARATELY						
		THE PRESENCE OF AN ABBREVIATION INDICATES THE PRESENCE OF THAT COMPONENT.							CAVITY WITH A NUMBER INDICATES BLOCKED TERMINAL POSITION CAVITY WITHOUT A NUMBER INDICATES OPEN TERMINAL POSITION																		BACKSHELL WITH RIBS	BACKSHELL WITHOUT RIBS	90° ADAPTOR WITH RIBS	90° ADAPTOR WITHOUT RIBS			
		HOUSING KEY/COLOR	GROMMET CAP	PLR	CPA	MAT SEAL	RING SEAL	1	2	3	4	5	6	7	8	9	10	11	12	13	14	15	16										
KEY A, BLACK, W/O CPA	33472-1601	A-BLK	GC	PLR		M	R																				SALEABLE		N/A	N/A	N/A	N/A	
KEY B, LIGHT GRAY, W/O CPA	33472-1602	B-LG	GC	PLR		M	R																					SALEABLE		N/A	N/A	N/A	N/A
KEY C, BROWN, W/O CPA	33472-1603	C-BR	GC	PLR		M	R																				NOT RECOMMENDED	SEE P/N 33472-1767	N/A	N/A	N/A	N/A	
KEY D, GREEN, W/O CPA	33472-1604	D-GR	GC	PLR		M	R																				NOT RECOMMENDED	SEE P/N 33472-1768	N/A	N/A	N/A	N/A	
VOID KEY	33472-1605																																
KEY A, BLACK, W/CPA	33472-1606	A-BLK	GC	PLR	CPA	M	R																				SALEABLE		N/A	N/A	N/A	N/A	
KEY B, LIGHT GRAY, W/CPA	33472-1607	B-LG	GC	PLR	CPA	M	R																				SALEABLE		N/A	N/A	N/A	N/A	
KEY C, BROWN, W/CPA	33472-1608	C-BR	GC	PLR	CPA	M	R																				NOT RECOMMENDED	SEE P/N 33472-1769	N/A	N/A	N/A	N/A	
KEY D, GREEN, W/CPA	33472-1609	D-GR	GC	PLR	CPA	M	R																				NOT RECOMMENDED	SEE P/N 33472-1770	N/A	N/A	N/A	N/A	
VOID KEY	33472-1610																																
KEY A, BLACK, W/O CPA	33472-1611	A-BLK	GC	PLR		M	R																				SALEABLE		N/A	N/A	N/A	N/A	
KEY B, LIGHT GRAY, W/O CPA	33472-1612	B-LG	GC	PLR		M	R																				SALEABLE		N/A	N/A	N/A	N/A	
KEY C, BROWN, W/O CPA	33472-1613	C-BR	GC	PLR		M	R																				NOT RECOMMENDED		N/A	N/A	N/A	N/A	
KEY D, GREEN, W/O CPA	33472-1614	D-GR	GC	PLR		M	R																				NOT RECOMMENDED		N/A	N/A	N/A	N/A	
VOID KEY	33472-1615																																
KEY A, BLACK, W/CPA	33472-1616	A-BLK	GC	PLR	CPA	M	R																				SALEABLE		N/A	N/A	N/A	N/A	
KEY B, LIGHT GRAY, W/CPA	33472-1617	B-LG	GC	PLR	CPA	M	R																				SALEABLE		N/A	N/A	N/A	N/A	
KEY C, BROWN, W/CPA	33472-1618	C-BR	GC	PLR	CPA	M	R																				NOT RECOMMENDED		N/A	N/A	N/A	N/A	
KEY D, GREEN, W/CPA	33472-1619	D-GR	GC	PLR	CPA	M	R																				NOT RECOMMENDED		N/A	N/A	N/A	N/A	
VOID KEY	33472-1620																																
KEY A, BLACK, W/O CPA	33472-1621	A-BLK	GC	PLR		M	R	1	2	3	4	5	6	7	8	9	10	11	12	13	14	15	16			SALEABLE		N/A	N/A	N/A	N/A		
KEY B, LIGHT GRAY, W/O CPA	33472-1622	B-LG	GC	PLR		M	R	1	2	3	4	5	6	7	8	9	10	11	12	13	14	15	16			SALEABLE		N/A	N/A	N/A	N/A		
KEY C, BROWN, W/O CPA	33472-1623	C-BR	GC	PLR		M	R	1	2	3	4	5	6	7	8	9	10	11	12	13	14	15	16			NOT RECOMMENDED		N/A	N/A	N/A	N/A		
KEY D, GREEN, W/O CPA	33472-1624	D-GR	GC	PLR		M	R	1	2	3	4	5	6	7	8	9	10	11	12	13	14	15	16			NOT RECOMMENDED		N/A	N/A	N/A	N/A		
VOID KEY	33472-1625																																
KEY A, BLACK, W/CPA	33472-1626	A-BLK	GC	PLR	CPA	M	R	1	2	3	4	5	6	7	8	9	10	11	12	13	14	15	16			SALEABLE		N/A	N/A	N/A	N/A		
KEY B, LIGHT GRAY, W/CPA	33472-1627	B-LG	GC	PLR	CPA	M	R	1	2	3	4	5	6	7	8	9	10	11	12	13	14	15	16			SALEABLE		N/A	N/A	N/A	N/A		
KEY C, BROWN, W/CPA	33472-1628	C-BR	GC	PLR	CPA	M	R	1	2	3	4	5	6	7	8	9	10	11	12	13	14	15	16			NOT RECOMMENDED		N/A	N/A	N/A	N/A		
KEY D, GREEN, W/CPA	33472-1629	D-GR	GC	PLR	CPA	M	R	1	2	3	4	5	6	7	8	9	10	11	12	13	14	15	16			NOT RECOMMENDED		N/A	N/A	N/A	N/A		
VOID KEY	33472-1630																																
KEY A, BLACK, W/O CPA	33472-1631	A-BLK	GC	PLR		M	R																				SALEABLE		N/A	N/A	N/A	N/A	
KEY B, LIGHT GRAY, W/O CPA	33472-1632	B-LG	GC	PLR		M	R																				SALEABLE		N/A	N/A	N/A	N/A	
KEY C, BROWN, W/O CPA	33472-1633	C-BR	GC	PLR		M	R																				NOT RECOMMENDED		N/A	N/A	N/A	N/A	
KEY D, GREEN, W/O CPA	33472-1634	D-GR	GC	PLR		M	R																				NOT RECOMMENDED		N/A	N/A	N/A	N/A	
VOID KEY	33472-1635																																
KEY A, BLACK, W/CPA	33472-1636	A-BLK	GC	PLR	CPA	M	R																				SALEABLE		N/A	N/A	N/A	N/A	
KEY B, LIGHT GRAY, W/CPA	33472-1637	B-LG	GC	PLR	CPA	M	R																				SALEABLE		N/A	N/A	N/A	N/A	
KEY C, BROWN, W/CPA	33472-1638	C-BR	GC	PLR	CPA	M	R																				NOT RECOMMENDED		N/A	N/A	N/A	N/A	
KEY D, GREEN, W/CPA	33472-1639	D-GR	GC	PLR	CPA	M	R																				NOT RECOMMENDED		N/A	N/A	N/A	N/A	
VOID KEY	33472-1640																																
KEY A, BLACK, W/O CPA	33472-1641	A-BLK	GC	PLR		M	R	1																			SALEABLE		N/A	N/A	N/A	N/A	
KEY B, LIGHT GRAY, W/O CPA	33472-1642	B-LG	GC	PLR		M	R	1																			SALEABLE		N/A	N/A	N/A	N/A	
KEY C, BROWN, W/O CPA	33472-1643	C-BR	GC	PLR		M	R	1																			NOT RECOMMENDED		N/A	N/A	N/A	N/A	
KEY D, GREEN, W/O CPA	33472-1644	D-GR	GC	PLR		M	R	1																			NOT RECOMMENDED		N/A	N/A	N/A	N/A	
VOID KEY	33472-1645																																
KEY A, BLACK, W/CPA	33472-1646	A-BLK	GC	PLR	CPA	M	R	1																			SALEABLE		N/A	N/A	N/A	N/A	
KEY B, LIGHT GRAY, W/CPA	33472-1647	B-LG	GC	PLR	CPA	M	R	1																			SALEABLE		N/A	N/A	N/A	N/A	
KEY C, BROWN, W/CPA	33472-1648	C-BR	GC	PLR	CPA	M	R	1																			NOT RECOMMENDED		N/A	N/A	N/A	N/A	
KEY D, GREEN, W/CPA	33472-1649	D-GR	GC	PLR	CPA	M	R	1																			NOT RECOMMENDED		N/A	N/A	N/A	N/A	
VOID KEY	33472-1650																																
KEY A, BLACK, W/O CPA	33472-1651	A-BLK	GC	PLR		M	R																				SALEABLE		N/A	N/A	N/A	N/A	
KEY A, BLACK, W/CPA	33472-1652	A-BLK	GC	PLR	CPA	M	R																				SALEABLE		N/A	N/A	N/A	N/A	
KEY A, BLACK, W/O CPA	33472-1653	A-BLK	GC	PLR		M	R	1																			SALEABLE		N/A	N/A	N/A	N/A	
KEY B, LIGHT GRAY, W/O CPA	33472-1654	B-LG	GC	PLR		M	R	1																			SALEABLE		N/A	N/A	N/A	N/A	
KEY C, BROWN, W/O CPA	33472-1655	C-BR	GC	PLR		M	R	1																			NOT RECOMMENDED		N/A	N/A	N/A	N/A	
KEY D, GREEN, W/O CPA	33472-1656	D-GR	GC	PLR		M	R	1																			NOT RECOMMENDED		N/A	N/A	N/A	N/A	
VOID KEY	33472-1657																																
KEY A, BLACK, W/CPA	33472-1658	A-BLK	GC	PLR	CPA	M	R	1																			SALEABLE		N/A	N/A	N/A	N/A	
KEY B, LIGHT GRAY, W/CPA	33472-1659	B-LG	GC	PLR	CPA	M	R	1																			SALEABLE		N/A	N/A	N/A	N/A	
KEY C, BROWN, W/CPA	33472-1660	C-BR	GC	PLR	CPA	M	R	1																									

MX150 RECEPTACLE 2X8 SEALED ASSEMBLY MAT SEAL
BOM AND PIN OUT SHEET

Table with columns: ASSEMBLY DESCRIPTION, ASSEMBLY PART NUMBER, COMPONENT (HOUSING KEY/COLOR, GROMMET CAP, PLR, CPA, MAT SEAL, RING SEAL), BLOCKED TERMINALS (1-16), STATUS, COMMENTS, and OPTIONAL ATTACHMENTS SOLD SEPARATELY (BACKSHELL WITH RIBS, BACKSHELL WITHOUT RIBS, 90° ADAPTOR WITH RIBS, 90° ADAPTOR WITHOUT RIBS).

MX150 RECEPTACLE 2X8 SEALED ASSEMBLY MAT SEAL  
BOM AND PIN OUT SHEET

ASSEMBLY DESCRIPTION	ASSEMBLY PART NUMBER	COMPONENT						BLOCKED TERMINALS																STATUS	COMMENTS	OPTIONAL ATTACHMENTS SOLD SEPERATELY							
		THE PRESENCE OF AN ABBREVIATION INDICATES THE PRESENCE OF THAT COMPONENT.						CAVITY WITH A NUMBER INDICATES BLOCKED TERMINAL POSITION CAVITY WITHOUT A NUMBER INDICATES OPEN TERMINAL POSITION																		BACKSHELL WITH RIBS	BACKSHELL WITHOUT RIBS	90° ADAPTOR WITH RIBS	90° ADAPTOR WITHOUT RIBS				
		HOUSING KEY/COLOR	GROMMET CAP	PLR	CPA	MAT SEAL	RING SEAL	1	2	3	4	5	6	7	8	9	10	11	12	13	14	15	16										
KEY B, LIGHT GRAY, W/CPA	33472-1773	B-LG	GC	PLR	CPA	M	R			4	5					10	11	12	13					SALEABLE			N/A	N/A	N/A	N/A			
KEY B, LIGHT GRAY, W/CPA	33472-1774	B-LG	GC	PLR	CPA	M	R			4	5				8		10	11	12	13					SALEABLE			N/A	N/A	N/A	N/A		
KEY B, LIGHT GRAY, W/CPA	33472-1775	B-LG	GC	PLR	CPA	M	R			4	5				8		10	11	12	13					SALEABLE			N/A	N/A	N/A	N/A		
KEY B, LIGHT GRAY, W/CPA	33472-1776	B-LG	GC	PLR	CPA	M	R			4	5				8		10	11	12	13					SALEABLE			N/A	N/A	N/A	N/A		
KEY B, LIGHT GRAY, W/CPA	33472-1777	B-LG	GC	PLR	CPA	M	R			4	5							11	12	13					SALEABLE			N/A	N/A	N/A	N/A		
KEY A, BLACK, W/O CPA	33472-1778	A-BLK	GC	PLR		M	R								9	10							15	16	SALEABLE			N/A	N/A	N/A	N/A		
KEY A, BLACK, W/O CPA	33472-1779	A-BLK	GC	PLR		M	R		2					6	7							13		15	16	SALEABLE			N/A	N/A	N/A	N/A	
KEY A, BLACK, W/CPA	33472-1780	A-BLK	GC	PLR	CPA	M	R															14	15	16	SALEABLE			N/A	N/A	N/A	N/A		
KEY A, BLACK, W/O CPA	33472-1781	A-BLK	GC	PLR		M	R							7											SALEABLE			N/A	N/A	N/A	N/A		
KEY A, BLACK, W/CPA	33472-1782	A-BLK	GC	PLR	CPA	M	R															12	13	14	15	16	SALEABLE			N/A	N/A	N/A	N/A
KEY A, BLACK, W/O CPA	33472-1783	A-BLK	GC	PLR		M	R	1	2	3	4				7	8	9	10	11	12				15	16	SALEABLE			N/A	N/A	N/A	N/A	
KEY A, BLACK, W/O CPA	33472-1784	A-BLK	GC	PLR		M	R	1	2	3	4				8	9	10	11	12						16	SALEABLE			N/A	N/A	N/A	N/A	
KEY A, BLACK, W/O CPA	33472-1785	A-BLK	GC	PLR		M	R		2	3	4				9	10								15	16	SALEABLE			N/A	N/A	N/A	N/A	
KEY A, BLACK, W/O CPA	33472-1786	A-BLK	GC	PLR		M	R		2	3	4	5		6	7	8	9	10					14	15	16	SALEABLE			N/A	N/A	N/A	N/A	
KEY A, BLACK, W/O CPA	33472-1787	A-BLK	GC	PLR		M	R								8							13		15	16	SALEABLE			N/A	N/A	N/A	N/A	
KEY A, BLACK, W/O CPA	33472-1788	A-BLK	GC	PLR		M	R				3				8							13		15	16	SALEABLE			N/A	N/A	N/A	N/A	
KEY A, BLACK, W/O CPA	33472-1789	A-BLK	GC	PLR		M	R								8											SALEABLE			N/A	N/A	N/A	N/A	
KEY A, BLACK, W/O CPA	33472-1790	A-BLK	GC	PLR		M	R				3	4	5									14	15	16	SALEABLE			N/A	N/A	N/A	N/A		
KEY A, BLACK, W/O CPA	33472-1791	A-BLK	GC	PLR		M	R					3	4													SALEABLE			N/A	N/A	N/A	N/A	
KEY A, BLACK, W/O CPA	33472-1792	A-BLK	GC	PLR		M	R	1															14	15	16	SALEABLE			N/A	N/A	N/A	N/A	
KEY A, BLACK, W/O CPA	33472-1793	A-BLK	GC	PLR		M	R																			SALEABLE			N/A	N/A	N/A	N/A	
KEY A, BLACK, W/O CPA	33472-1794	A-BLK	GC	PLR		M	R		2						6	7	8									SALEABLE			N/A	N/A	N/A	N/A	
KEY A, BLACK, W/CPA	33472-1795	A-BLK	GC	PLR	CPA	M	R																			SALEABLE			N/A	N/A	N/A	N/A	
KEY A, BLACK, W/O CPA	33472-1796	A-BLK	GC	PLR		M	R	1							5											SALEABLE			N/A	N/A	N/A	N/A	
KEY A, BLACK, W/O CPA	33472-1797	A-BLK	GC	PLR		M	R																			SALEABLE			N/A	N/A	N/A	N/A	
KEY A, BLACK, W/O CPA	33472-1798	A-BLK	GC	PLR		M	R	1				3														SALEABLE			N/A	N/A	N/A	N/A	
KEY B, LIGHT GRAY, W/CPA	33472-1799	B-LG	GC	PLR	CPA	M	R			2					8											SALEABLE			N/A	N/A	N/A	N/A	
KEY A, BLACK, W/O CPA	33472-1800	A-BLK	GC	PLR		M	R	1																		SALEABLE			N/A	N/A	N/A	N/A	
KEY B, LIGHT GRAY, W/CPA	33472-1801	B-LG	GC	PLR	CPA	M	R																			SALEABLE			N/A	N/A	N/A	N/A	
KEY B, LIGHT GRAY, W/CPA	33472-1802	B-LG	GC	PLR	CPA	M	R		2						8											SALEABLE			N/A	N/A	N/A	N/A	
KEY B, LIGHT GRAY, W/CPA	33472-1803	B-LG	GC	PLR	CPA	M	R		2						8											SALEABLE			N/A	N/A	N/A	N/A	
KEY B, LIGHT GRAY, W/CPA	33472-1804	B-LG	GC	PLR	CPA	M	R		2	3	4	5	6		8											SALEABLE			N/A	N/A	N/A	N/A	
KEY A, BLACK, W/O CPA	33472-1805	A-BLK	GC	PLR		M	R																			SALEABLE			N/A	N/A	N/A	N/A	
KEY A, BLACK, W/CPA	33472-1806	A-BLK	GC	PLR	CPA	M	R	1																		SALEABLE			N/A	N/A	N/A	N/A	
KEY A, BLACK, W/CPA	33472-1807	A-BLK	GC	PLR	CPA	M	R	1	2	3	4	5														SALEABLE			N/A	N/A	N/A	N/A	
KEY A, BLACK, W/CPA	33472-1808	A-BLK	GC	PLR	CPA	M	R		2	3	4	5														SALEABLE			N/A	N/A	N/A	N/A	
KEY A, BLACK, W/CPA	33472-1809	A-BLK	GC	PLR	CPA	M	R																			SALEABLE			N/A	N/A	N/A	N/A	
KEY A, BLACK, W/O CPA	33472-1810	A-BLK	GC	PLR		M	R	1	2	3	4	5	6	7	8											SALEABLE			N/A	N/A	N/A	N/A	
KEY A, BLACK, W/O CPA	33472-1811	A-BLK	GC	PLR		M	R	1	2	3																SALEABLE			N/A	N/A	N/A	N/A	
KEY A, BLACK, W/O CPA	33472-1812	A-BLK	GC	PLR		M	R	1	2																	SALEABLE			N/A	N/A	N/A	N/A	
KEY B, LIGHT GRAY, W/O CPA	33472-1813	B-LG	GC	PLR		M	R								6	7	8									SALEABLE			N/A	N/A	N/A	N/A	
KEY B, LIGHT GRAY, W/O CPA	33472-1814	B-LG	GC	PLR		M	R								6	7	8									SALEABLE			N/A	N/A	N/A	N/A	
KEY B, LIGHT GRAY, W/O CPA	33472-1815	B-LG	GC	PLR		M	R																			SALEABLE			N/A	N/A	N/A	N/A	
KEY B, LIGHT GRAY, W/O CPA	33472-1816	B-LG	GC	PLR		M	R																			SALEABLE			N/A	N/A	N/A	N/A	
KEY B, LIGHT GRAY, W/O CPA	33472-1817	B-LG	GC	PLR		M	R	1	2	3	4	5	6													SALEABLE			N/A	N/A	N/A	N/A	
KEY A, BLACK, W/O CPA	33472-1818	A-BLK	GC	PLR		M	R																			SALEABLE			N/A	N/A	N/A	N/A	
KEY A, BLACK, W/CPA	33472-1819	A-BLK	GC	PLR	CPA	M	R																			SALEABLE			N/A	N/A	N/A	N/A	
KEY A, BLACK, W/CPA	33472-1820	A-BLK	GC	PLR	CPA	M	R																			SALEABLE			N/A	N/A	N/A	N/A	
KEY B, LIGHT GRAY, W/CPA	33472-1821	B-LG	GC	PLR	CPA	M	R																			SALEABLE			N/A	N/A	N/A	N/A	
KEY B, LIGHT GRAY, W/CPA	33472-1822	B-LG	GC	PLR	CPA	M	R																			SALEABLE			N/A	N/A	N/A	N/A	
KEY B, LIGHT GRAY, W/CPA	33472-1823	B-LG	GC	PLR	CPA	M	R																			SALEABLE			N/A	N/A	N/A	N/A	
KEY B, LIGHT GRAY, W/CPA	33472-1824	B-LG	GC	PLR	CPA	M	R																			SALEABLE			N/A	N/A	N/A	N/A	
KEY B, LIGHT GRAY, W/CPA	33472-1825	B-LG	GC	PLR	CPA	M	R			2																SALEABLE			N/A	N/A	N/A	N/A	
KEY A, BLACK, W/O CPA	33472-1826	A-BLK	GC	PLR		M	R	1	2	3	4	5	6													SALEABLE			N/A	N/A	N/A	N/A	
KEY A, BLACK, W/O CPA	33472-1827	A-BLK	GC	PLR		M	R	1	2	3	4	5	6													SALEABLE			N/A	N/A	N/A	N/A	
KEY A, BLACK, W/O CPA	33472-1828	A-BLK	GC	PLR		M	R																			SALEABLE			N/A	N/A	N/A	N/A	
KEY A, BLACK, W/O CPA	33472-1829	A-BLK	GC	PLR		M	R	1	2	3	4	5	6													SALEABLE			N/A	N/A	N/A	N/A	
KEY A, BLACK, W/O CPA	33472-1830	A-BLK	GC	PLR		M	R	1	2	3	4	5	6													SALEABLE			N/A	N/A	N/A	N/A	
KEY A, BLACK, W/O CPA	33472-1831	A-BLK	GC	PLR		M	R																			SALEABLE			N/A	N/A	N/A	N/A	
KEY A, BLACK, W/O CPA	33472-1832	A-BLK	GC	PLR		M	R			2																SALEABLE			N/A	N/A	N/A	N/A	
KEY A, BLACK, W/O CPA	33472-1833	A-BLK	GC	PLR		M	R	1	2	3	4	5	6													SALEABLE			N/A	N/A	N/A	N/A	
KEY A, BLACK, W/O CPA	33472-1834	A-BLK	GC	PLR		M	R	1	2	3	4	5	6	7	8	9	10									SALEABLE			N/A	N/A	N/A	N/A	
KEY A, BLACK, W/O CPA	33472-1835	A-BLK	GC	PLR		M	R	1	2	3	4	5	6	7	8	9																	



MX150 RECEPTACLE 2X8 SEALED ASSEMBLY MAT SEAL  
BOM AND PIN OUT SHEET

ASSEMBLY DESCRIPTION	ASSEMBLY PART NUMBER	COMPONENT						BLOCKED TERMINALS																STATUS	COMMENTS	OPTIONAL ATTACHMENTS SOLD SEPERATELY															
		THE PRESENCE OF AN ABBREVIATION INDICATES THE PRESENCE OF THAT COMPONENT.						CAVITY WITH A NUMBER INDICATES BLOCKED TERMINAL POSITION CAVITY WITHOUT A NUMBER INDICATES OPEN TERMINAL POSITION																		BACKSHELL WITH RIBS	BACKSHELL WITHOUT RIBS	90° ADAPTOR WITH RIBS	90° ADAPTOR WITHOUT RIBS												
		HOUSING KEY/COLOR	GROMMET CAP	PLR	CPA	MAT SEAL	RING SEAL	1	2	3	4	5	6	7	8	9	10	11	12	13	14	15	16																		
KEY A, BLACK, W/O CPA	33472-1973	A-BLK	GC	PLR		M	R	1	2	3	4	5	6	7	8	9					12	13	14								SALEABLE					N/A	N/A	N/A	N/A		
KEY A, BLACK, W/O CPA	33472-1974	A-BLK	GC	PLR		M	R		2						8	9					12	13	14								SALEABLE					N/A	N/A	N/A	N/A		
KEY A, BLACK, W/O CPA	33472-1975	A-BLK	GC	PLR		M	R														12	13	14								SALEABLE					N/A	N/A	N/A	N/A		
KEY A, BLACK, W/O CPA	33472-1976	A-BLK	GC	PLR		M	R		2						8	9	10	11			12	13	14	15	16						SALEABLE					N/A	N/A	N/A	N/A		
KEY A, BLACK, W/O CPA	33472-1977	A-BLK	GC	PLR		M	R								9																	SALEABLE					N/A	N/A	N/A	N/A	
KEY A, BLACK, W/O CPA	33472-1978	A-BLK	GC	PLR		M	R																									SALEABLE					N/A	N/A	N/A	N/A	
KEY A, BLACK, W/O CPA	33472-1979	A-BLK	GC	PLR		M	R														11	12		15								SALEABLE					N/A	N/A	N/A	N/A	
KEY A, BLACK, W/O CPA	33472-1980	A-BLK	GC	PLR		M	R	1			4		6	7	8																	SALEABLE					N/A	N/A	N/A	N/A	
KEY A, BLACK, W/O CPA	33472-1981	A-BLK	GC	PLR		M	R				3	4	5								10	11	12	13	14	15						SALEABLE					N/A	N/A	N/A	N/A	
KEY A, BLACK, W/O CPA	33472-1982	A-BLK	GC	PLR		M	R																									SALEABLE					N/A	N/A	N/A	N/A	
KEY A, BLACK, W/O CPA	33472-1983	A-BLK	GC	PLR		M	R	1							8						10	11		15								SALEABLE					N/A	N/A	N/A	N/A	
KEY A, BLACK, W/O CPA	33472-1984	A-BLK	GC	PLR		M	R	1	2	3	4	5	6	7	8						10	11		15								SALEABLE					N/A	N/A	N/A	N/A	
KEY A, BLACK, W/O CPA	33472-1985	A-BLK	GC	PLR		M	R	1							8	9	10	11														SALEABLE					N/A	N/A	N/A	N/A	
KEY A, BLACK, W/O CPA	33472-1986	A-BLK	GC	PLR		M	R								9	10	11															SALEABLE					N/A	N/A	N/A	N/A	
KEY A, BLACK, W/O CPA	33472-1987	A-BLK	GC	PLR		M	R	1	2	3		5	6	7	8	9	10	11				13	14	15	16							SALEABLE					N/A	N/A	N/A	N/A	
KEY A, BLACK, W/O CPA	33472-1988	A-BLK	GC	PLR		M	R		2				6	7	8	9	10	11				13	14	15	16							SALEABLE					N/A	N/A	N/A	N/A	
KEY A, BLACK, W/O CPA	33472-1989	A-BLK	GC	PLR		M	R																									SALEABLE					N/A	N/A	N/A	N/A	
KEY A, BLACK, W/O CPA	33472-1990	A-BLK	GC	PLR		M	R														11	12	13									SALEABLE					N/A	N/A	N/A	N/A	
KEY A, BLACK, W/O CPA	33472-1991	A-BLK	GC	PLR		M	R	1																								SALEABLE					N/A	N/A	N/A	N/A	
KEY A, BLACK, W/O CPA	33472-1992	A-BLK	GC	PLR		M	R						6								11	12	13	14								SALEABLE					N/A	N/A	N/A	N/A	
KEY A, BLACK, W/O CPA	33472-1993	A-BLK	GC	PLR		M	R																									SALEABLE					N/A	N/A	N/A	N/A	
KEY A, BLACK, W/O CPA	33472-1994	A-BLK	GC	PLR		M	R		2			4	5	6	7	8	9	10				12	13	14	15	16						SALEABLE					N/A	N/A	N/A	N/A	
KEY A, BLACK, W/O CPA	33472-1995	A-BLK	GC	PLR		M	R		2			4	5	6	7	8	9	10				12	13	14	15	16						SALEABLE					N/A	N/A	N/A	N/A	
KEY A, BLACK, W/O CPA	33472-1996	A-BLK	GC	PLR		M	R	1	2						6	7	8	9	10													SALEABLE					N/A	N/A	N/A	N/A	
KEY A, BLACK, W/O CPA	33472-1997	A-BLK	GC	PLR		M	R	1	2							7	8	9	10													SALEABLE					N/A	N/A	N/A	N/A	
KEY A, BLACK, W/O CPA	33472-1998	A-BLK	GC	PLR		M	R				3	4	5	6	7	8	9																SALEABLE					N/A	N/A	N/A	N/A
KEY A, BLACK, W/O CPA	33472-1999	A-BLK	GC	PLR		M	R																									SALEABLE					N/A	N/A	N/A	N/A	
KEY A, BLACK, W/CPA	33472-8001	A-BLK	GC	PLR	CPA	M	R	1	2	3	4	5	6							10	11	12	13	14	15	16					SALEABLE					N/A	N/A	N/A	N/A		
KEY A, BLACK, W/CPA	33472-8002	A-BLK	GC	PLR	CPA	M	R																									SALEABLE					N/A	N/A	N/A	N/A	
KEY A, BLACK, W/CPA	33472-8003	A-BLK	GC	PLR	CPA	M	R	1	2	3	4	5	6																			SALEABLE					N/A	N/A	N/A	N/A	
KEY A, BLACK, W/CPA	33472-8004	A-BLK	GC	PLR		M	R		2																							SALEABLE					N/A	N/A	N/A	N/A	
KEY A, BLACK, W/CPA	33472-8005	A-BLK	GC	PLR		M	R	1	2	3	4	5	6	7	8	9																SALEABLE					N/A	N/A	N/A	N/A	
KEY A, BLACK, W/CPA	33472-8006	A-BLK	GC	PLR		M	R	1				4	5	6	7	8																SALEABLE					N/A	N/A	N/A	N/A	
KEY A, BLACK, W/CPA	33472-8007	A-BLK	GC	PLR		M	R	1				4	5	6	7																	SALEABLE					N/A	N/A	N/A	N/A	
KEY A, BLACK, W/CPA	33472-8008	A-BLK	GC	PLR	CPA	M	R	1	2	3	4	5	6									12	13									SALEABLE					N/A	N/A	N/A	N/A	
KEY A, BLACK, W/CPA	33472-8009	A-BLK	GC	PLR	CPA	M	R																									SALEABLE					N/A	N/A	N/A	N/A	
KEY A, BLACK, W/CPA	33472-8010	A-BLK	GC	PLR	CPA	M	R	1	2	3	4	5	6	7	8							12	13	14	15	16						SALEABLE					N/A	N/A	N/A	N/A	
KEY A, BLACK, W/CPA	33472-8011	A-BLK	GC	PLR	CPA	M	R					4										12										SALEABLE					N/A	N/A	N/A	N/A	
KEY A, BLACK, W/CPA	33472-8012	A-BLK	GC	PLR	CPA	M	R					4										12										SALEABLE					N/A	N/A	N/A	N/A	
KEY A, BLACK, W/CPA	33472-8013	A-BLK	GC	PLR	CPA	M	R	1	2			4			6	7	8	9				12										SALEABLE					N/A	N/A	N/A	N/A	
KEY A, BLACK, W/CPA	33472-8014	A-BLK	GC	PLR	CPA	M	R				3	4																				SALEABLE					N/A	N/A	N/A	N/A	
KEY A, BLACK, W/CPA	33472-8015	A-BLK	GC	PLR		M	R	1																								SALEABLE					N/A	N/A	N/A	N/A	
KEY A, BLACK, W/CPA	33472-8016	A-BLK	GC	PLR		M	R																									SALEABLE					N/A	N/A	N/A	N/A	
KEY A, BLACK, W/CPA	33472-8017	A-BLK	GC	PLR		M	R	1	2			4	5	6	7	8																SALEABLE					N/A	N/A	N/A	N/A	
KEY A, BLACK, W/CPA	33472-8018	A-BLK	GC	PLR		M	R	1																								SALEABLE					N/A	N/A	N/A	N/A	
KEY A, BLACK, W/CPA	33472-8019	A-BLK	GC	PLR		M	R					4	5	6																		SALEABLE					N/A	N/A	N/A	N/A	
KEY A, BLACK, W/CPA	33472-8020	A-BLK	GC	PLR		M	R																									SALEABLE					N/A	N/A	N/A	N/A	
KEY A, BLACK, W/CPA	33472-8021	A-BLK	GC	PLR	CPA	M	R																									SALEABLE					N/A	N/A	N/A	N/A	
KEY A, BLACK, W/CPA	33472-8022	A-BLK	GC	PLR	CPA	M	R																									SALEABLE					N/A	N/A	N/A	N/A	
KEY A, BLACK, W/CPA	33472-8023	A-BLK	GC	PLR	CPA	M	R																									SALEABLE					N/A	N/A	N/A	N/A	
KEY A, BLACK, W/CPA	33472-8024	A-BLK	GC	PLR	CPA	M	R																									SALEABLE					N/A	N/A	N/A	N/A	
KEY A, BLACK, W/CPA	33472-8025	A-BLK	GC	PLR	CPA	M	R																									SALEABLE					N/A	N/A	N/A	N/A	
KEY A, BLACK, W/CPA	33472-8026	A-BLK	GC	PLR	CPA	M	R																									SALEABLE					N/A	N/A	N/A	N/A	
KEY A, BLACK, W/CPA	3347																																								











**MX150 RECEPTACLE 2X10 SEALED ASSEMBLY MAT SEAL  
BOM AND PIN OUT SHEET**

ASSEMBLY DESCRIPTION	ASSEMBLY PART NUMBER	COMPONENT						BLOCKED TERMINALS																				STATUS	COMMENTS	OPTIONAL ATTACHMENTS SOLD SEPARATELY							
		THE PRESENCE OF AN ABBREVIATION INDICATES THE PRESENCE OF THAT COMPONENT.						CAVITY WITH A NUMBER INDICATES BLOCKED TERMINAL POSITION CAVITY WITHOUT A NUMBER INDICATES OPEN TERMINAL POSITION																						BACKSHELL WITH RIBS	BACKSHELL WITHOUT RIBS	90° ADAPTOR WITH RIBS	90° ADAPTOR WITHOUT RIBS				
		HOUSING KEY/COLOR	GROMMET CAP	PLR	CPA	MAT SEAL	RING SEAL	1	2	3	4	5	6	7	8	9	10	11	12	13	14	15	16	17	18	19	20										
KEY A, BLACK, W/O CPA	33472-2301	A-BLK	GCP	PLR		M	R	1	2	3	4	5	6	7	8	9			12	13	14	15	16	17	18	19	20	SALEABLE					N/A	N/A	N/A	N/A	
KEY A, BLACK, W/O CPA	33472-2302	A-BLK	GCP	PLR		M	R	1	2	3	4			7	8	9			12	13	14		17	18	19	20	SALEABLE					N/A	N/A	N/A	N/A		
KEY A, BLACK, W/O CPA	33472-2303	A-BLK	GCP	PLR		M	R	1	2	3	4			7	8	9			12	13	14		17	18	19	20	SALEABLE					N/A	N/A	N/A	N/A		
KEY A, BLACK, W/O CPA	33472-2304	A-BLK	GCP	PLR		M	R	1	2	3	4	5	6	7	8	9	10	11	12		14	15	16	17	18	19	20	SALEABLE					N/A	N/A	N/A	N/A	
KEY A, BLACK, W/O CPA	33472-2305	A-BLK	GCP	PLR		M	R			3	4			7	8	9			12		14		17	18	19		SALEABLE					N/A	N/A	N/A	N/A		
KEY A, BLACK, W/O CPA	33472-2306	A-BLK	GCP	PLR		M	R			2	3			7	8	9			12		14		17	18	19		SALEABLE					N/A	N/A	N/A	N/A		
KEY A, BLACK, W/O CPA	33472-2307	A-BLK	GCP	PLR		M	R	1			3			7	8	9			12	13			17	18	19		SALEABLE					N/A	N/A	N/A	N/A		
KEY A, BLACK, W/O CPA	33472-2308	A-BLK	GCP	PLR		M	R				3			7	8	9			12		14			17	18	19		SALEABLE					N/A	N/A	N/A	N/A	
KEY A, BLACK, W/O CPA	33472-2309	A-BLK	GCP	PLR		M	R				3			7	8	9			12		14			17	18	19		SALEABLE					N/A	N/A	N/A	N/A	
KEY A, BLACK, W/O CPA	33472-2310	A-BLK	GCP	PLR		M	R	1			3			7	8	9			12	13	14			17	18	19	20	SALEABLE					N/A	N/A	N/A	N/A	
KEY A, BLACK, W/O CPA	33472-2311	A-BLK	GCP	PLR		M	R	1	2	3	4	5	6	7	8	9	10						17					SALEABLE					N/A	N/A	N/A	N/A	
KEY A, BLACK, W/O CPA	33472-2312	A-BLK	GCP	PLR		M	R	1	2	3	4	5	6	7	8	9	10					14	15	17				SALEABLE					N/A	N/A	N/A	N/A	
KEY A, BLACK, W/CPA	33472-2313	A-BLK	GCP	PLR		CPA	M	R																18				SALEABLE					N/A	N/A	N/A	N/A	
KEY A, BLACK, W/CPA	33472-2314	A-BLK	GCP	PLR		CPA	M	R	2			4	5	6	8	9	10					14			18	19	20	SALEABLE					N/A	N/A	N/A	N/A	
KEY A, BLACK, W/CPA	33472-2315	A-BLK	GCP	PLR		CPA	M	R	2				5	6											19	20	SALEABLE					N/A	N/A	N/A	N/A		
KEY A, BLACK, W/CPA	33472-2316	A-BLK	GCP	PLR		CPA	M	R	1																			SALEABLE					N/A	N/A	N/A	N/A	
KEY B, LIGHT GRAY, W/O CPA	33472-2317	B-LG	GCP	PLR		M	R	2		3															19			SALEABLE					N/A	N/A	N/A	N/A	
KEY B, LIGHT GRAY, W/O CPA	33472-2318	B-LG	GCP	PLR		M	R	2		3															18	19	20	SALEABLE					N/A	N/A	N/A	N/A	
KEY A, BLACK, W/O CPA	33472-2319	A-BLK	GCP	PLR		M	R	1			3	4	5	7	8	9	10	11	12	13	14	15	16	17	18	19		SALEABLE					N/A	N/A	N/A	N/A	
KEY B, LIGHT GRAY, W/O CPA	33472-2320	B-LG	GCP	PLR		M	R				4																	SALEABLE					N/A	N/A	N/A	N/A	
KEY A, BLACK, W/O CPA	33472-2321	A-BLK	GCP	PLR		M	R					5	6													19		SALEABLE					N/A	N/A	N/A	N/A	
KEY A, BLACK, W/O CPA	33472-2322	A-BLK	GCP	PLR		M	R							7									16	17				SALEABLE					N/A	N/A	N/A	N/A	
KEY B, LIGHT GRAY, W/O CPA	33472-2323	B-LG	GCP	PLR		M	R	2			4				8	9		11							19	20		SALEABLE					N/A	N/A	N/A	N/A	
KEY B, LIGHT GRAY, W/O CPA	33472-2324	B-LG	GCP	PLR		M	R	2			4				8	9									19	20		SALEABLE					N/A	N/A	N/A	N/A	
KEY B, LIGHT GRAY, W/O CPA	33472-2325	B-LG	GCP	PLR		M	R	2			4				8	9									18	19	20	SALEABLE					N/A	N/A	N/A	N/A	
KEY B, LIGHT GRAY, W/O CPA	33472-2326	B-LG	GCP	PLR		M	R	2			4				8	9		11							18	19	20	SALEABLE					N/A	N/A	N/A	N/A	
KEY B, LIGHT GRAY, W/O CPA	33472-2327	B-LG	GCP	PLR		M	R	1	2	3	4				8	9	10								18	19	20	SALEABLE					N/A	N/A	N/A	N/A	
KEY B, LIGHT GRAY, W/O CPA	33472-2328	B-LG	GCP	PLR		M	R	2			4				9										18	19	20	SALEABLE					N/A	N/A	N/A	N/A	
KEY B, LIGHT GRAY, W/O CPA	33472-2329	B-LG	GCP	PLR		M	R	2			4				9										18	19	20	SALEABLE					N/A	N/A	N/A	N/A	
KEY B, LIGHT GRAY, W/O CPA	33472-2330	B-LG	GCP	PLR		M	R	2	3	4					9	10									18	19	20	SALEABLE					N/A	N/A	N/A	N/A	
KEY B, LIGHT GRAY, W/O CPA	33472-2331	B-LG	GCP	PLR		M	R	2	3	4					9	10									19	20		SALEABLE					N/A	N/A	N/A	N/A	
KEY A, BLACK, W/CPA	33472-2332	A-BLK	GCP	PLR		CPA	M	R																				SALEABLE					N/A	N/A	N/A	N/A	
KEY A, BLACK, W/O CPA	33472-2333	A-BLK	GCP	PLR		M	R	2		3			5	6														SALEABLE					N/A	N/A	N/A	N/A	
KEY A, BLACK, W/O CPA	33472-2334	A-BLK	GCP	PLR		M	R																					SALEABLE					N/A	N/A	N/A	N/A	
KEY A, BLACK, W/O CPA	33472-2335	A-BLK	GCP	PLR		M	R																					SALEABLE					N/A	N/A	N/A	N/A	
KEY A, BLACK, W/O CPA	33472-2336	A-BLK	GCP	PLR		M	R																					SALEABLE					N/A	N/A	N/A	N/A	
KEY A, BLACK, W/O CPA	33472-2337	A-BLK	GCP	PLR		M	R																					SALEABLE					N/A	N/A	N/A	N/A	
KEY A, BLACK, W/O CPA	33472-2338	A-BLK	GCP	PLR		M	R	1																				SALEABLE					N/A	N/A	N/A	N/A	
KEY A, BLACK, W/O CPA	33472-2339	A-BLK	GCP	PLR		M	R	2																				SALEABLE					N/A	N/A	N/A	N/A	
KEY A, BLACK, W/O CPA	33472-2340	A-BLK	GCP	PLR		M	R	1	2	3	4	5	6	7	8	9	10	11	12						17	18	19	20	SALEABLE					N/A	N/A	N/A	N/A
KEY B, LIGHT GRAY, W/O CPA	33472-2341	B-LG	GCP	PLR		M	R	1	2	3	4																	SALEABLE					N/A	N/A	N/A	N/A	
KEY B, LIGHT GRAY, W/O CPA	33472-2342	B-LG	GCP	PLR		M	R																					SALEABLE					N/A	N/A	N/A	N/A	
KEY A, BLACK, W/O CPA	33472-2343	A-BLK	GCP	PLR		M	R	1																				SALEABLE					N/A	N/A	N/A	N/A	
KEY A, BLACK, W/CPA	33472-2344	A-BLK	GCP	PLR		CPA	M	R																				SALEABLE					N/A	N/A	N/A	N/A	
KEY A, BLACK, W/O CPA	33472-2345	A-BLK	GCP	PLR		M	R																					SALEABLE					N/A	N/A	N/A	N/A	
KEY A, BLACK, W/O CPA	33472-2346	A-BLK	GCP	PLR		M	R																					SALEABLE					N/A	N/A	N/A	N/A	
KEY A, BLACK, W/O CPA	33472-2347	A-BLK	GCP	PLR		M	R	2	3	4	5	6	7	8	9	10	11	12	13	14								SALEABLE					N/A	N/A	N/A	N/A	
KEY A, BLACK, W/O CPA	334																																				



