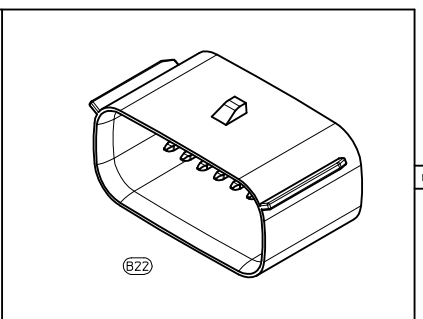
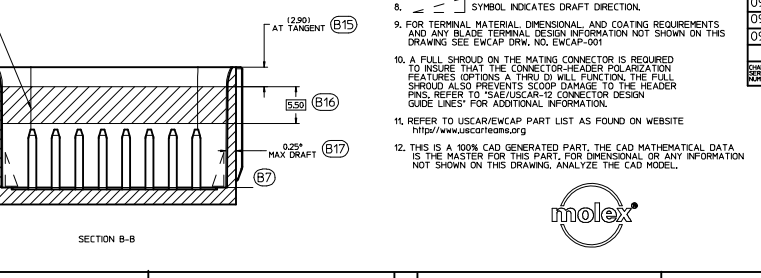
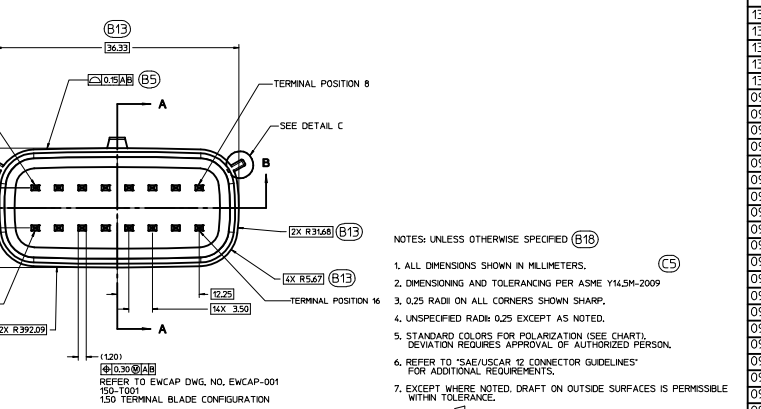
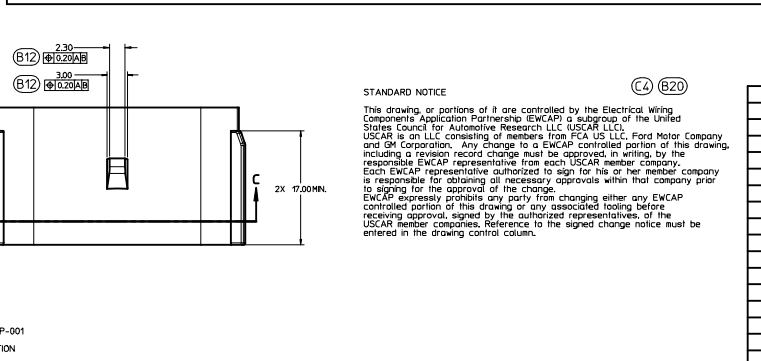
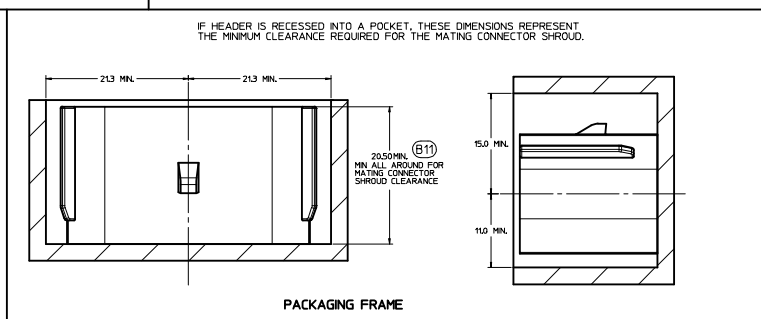
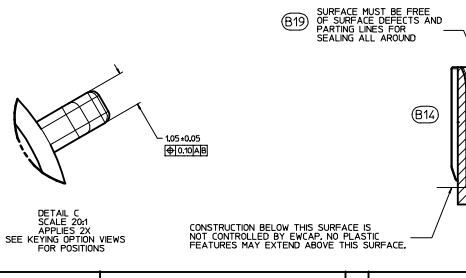
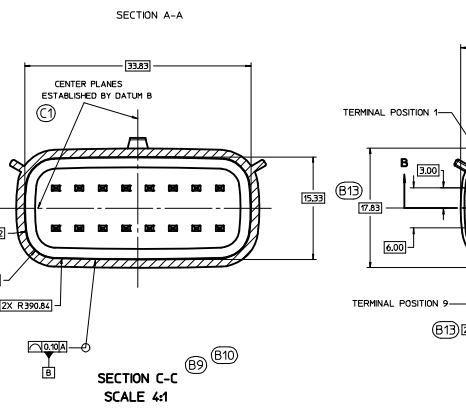
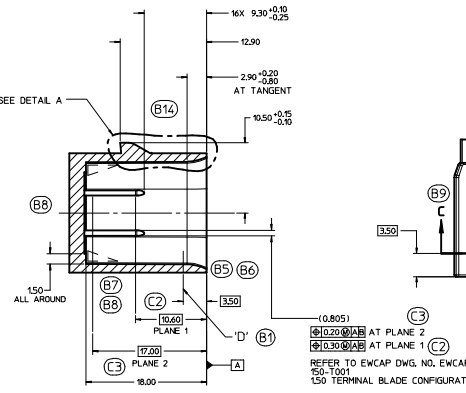
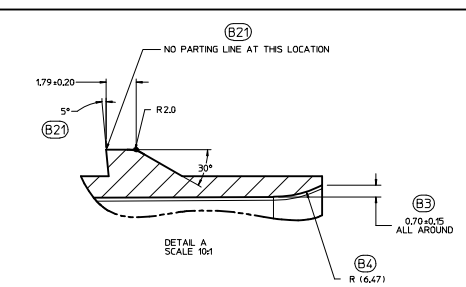


150-S-016-2-001	D	BLACK
150-S-016-2-001	C	DK GRAY
150-S-016-2-001	B	LT GRAY
150-S-016-2-001	A	BLACK
EWCAP PIN	OPTION	MATING CONNECTOR COLOR



**STANDARD NOTICE**

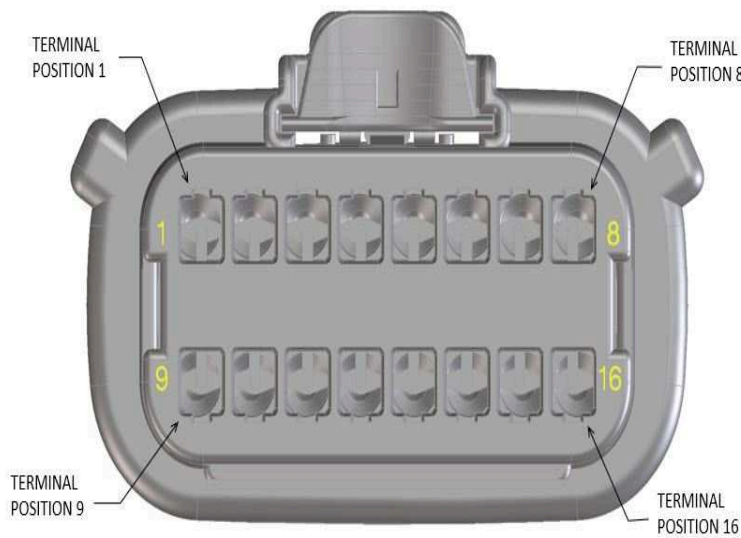
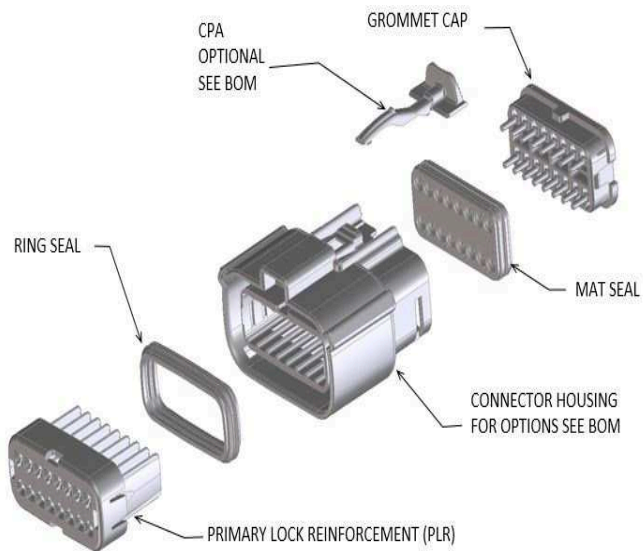
This drawing, or portions of it are controlled by the Electrical Wiring Components Application Partnership (EWCAP) a subgroup of the United States Council for Automotive Research LLC (USCAR LLC). USCAR is an LLC consisting of members from FCA US LLC, Ford Motor Company and GM Corporation. Any change to a EWCAP controlled portion of this drawing, including a revision record change must be approved, in writing, by the responsible EWCAP representative from each USCAR member company. Each EWCAP representative authorized to sign for his or her member company is responsible for obtaining all necessary approvals within that company prior to signing for the approval of the change. EWCAP expressly prohibits any party from changing either any EWCAP controlled portion of this drawing or any associated tooling before receiving approval, signed by the authorized representatives, of the USCAR member companies. Reference to the signed change notice must be entered in the drawing control column.

- NOTES: UNLESS OTHERWISE SPECIFIED (B16)**
- ALL DIMENSIONS SHOWN IN MILLIMETERS.
  - DIMENSIONING AND TOLERANCING PER ASME Y14.5M-2009
  - 0.25 RADI ON ALL CORNERS SHOWN SHARP.
  - UNSPECIFIED RADII: 0.25 EXCEPT AS NOTED.
  - STANDARD COLORS FOR POLARIZATION (SEE CHART) DEVIATION REQUIRES APPROVAL OF AUTHORIZED PERSON.
  - REFER TO "SAE/USCAR 12 CONNECTOR GUIDELINES" FOR ADDITIONAL REQUIREMENTS.
  - EXCEPT WHERE NOTED, DRAFT ON OUTSIDE SURFACES IS PERMISSIBLE WITHIN TOLERANCE.
  - $\frac{\text{---}}{\text{---}}$  SYMBOL INDICATES DRAFT DIRECTION.
  - FOR TERMINAL MATERIAL, DIMENSIONAL AND COATING REQUIREMENTS AND ANY BLADE TERMINAL DESIGN INFORMATION NOT SHOWN ON THIS DRAWING SEE EWCAP DRW. NO. EWCAP-001
  - A FULL SHROUD ON THE MATING CONNECTOR IS REQUIRED TO INSURE THAT THE CONNECTOR-HEADER POLARIZATION FEATURES (OPTIONS A THRU D) WILL FUNCTION. THE FULL SHROUD ALSO PREVENTS SCOP DAMAGE TO THE HEADER PINS. REFER TO "SAE/USCAR-12 CONNECTOR DESIGN GUIDE LINES" FOR ADDITIONAL INFORMATION.
  - REFER TO SAE/EWCAP PART LIST AS FOUND ON WEBSITE <http://www.uscarofteams.org>
  - THIS IS A 100% CAD GENERATED PART. THE CAD MATHEMATICAL DATA IS THE MASTER FOR THIS PART. FOR DIMENSIONAL OR ANY INFORMATION NOT SHOWN ON THIS DRAWING, ANALYZE THE CAD MODEL.

132	C5	UPDATED CALL OUT FOR THE REVISION OF GRY FROM ASME Y14.5M-2009 TO Y14.5M-2009 IN THE NOTES			
132	C4	UPDATED THE STANDARD NOTE TO THE LATEST TEMPLATE			
132	C3	ADDED PLANE 2			
132	C2	ADDED PLANE 1			
132	C1	ADDED CALL OUT CENTER PLANES ESTABLISHED BY DATUM B	04-28-17	MV	KB
095	B22	CHANGED 50 VIEW SCALE TO 4:1 MAX 1:1			
095	B21	ADDED PARTING LINE NOTE TO DETAIL A, REMOVED NOTE BACK ANGLE OPTIONAL FROM 5°			
095	B20	CORRECTED CHRYSLER GROUP LLC NOMENCLATURE			
095	B19	MOVED NOTE TO SECTION B-B			
095	B18	UPDATED NOTES			
095	B17	ADDED 0.25° MAX DRAFT ANGLE ALL AROUND			
095	B16	ADDED [50]			
095	B15	ADDED AT TANGENT NOTE			
095	B14	REMOVED DATUM D			
095	B13	ADDED BASIC DIMENSIONS FOR PROFILE CONTROL			
095	B12	ADDED [0.20] [A]			
095	B11	DIMENSIONED TO DATUM A			
095	B10	SEALING SURFACE DIMENSIONS MOVED TO SECTION C-C			
095	B9	ADDED SECTION C-C			
095	B8	REMOVED 15.20 AND 2.50 FROM SECTION A-A			
095	B7	ADDED DRAFT ANGLE DIRECTION			
095	B6	REMOVED 0.80 ±0.07-0.20 ALL AROUND			
095	B5	REPLACED WALL THICKNESS CONTROL WITH PROFILE OF A SURFACE			
095	B4	ADDED R14.7			
095	B3	ADDED 0.70 ±0.15 ALL AROUND			
095	B2	UPDATED CONNECTOR COLORS			
095	B1	SURFACE 9' RELOCATED TO [350] WAS AT 8.20	03-22-12	KC	MV
	A	RELEASED	10-31-02	DG	JC

CHANGE NUMBER	LET	REVISION RECORD	DATE	DWN	CHK
TOLERANCES UNLESS OTHERWISE SPECIFIED					
DIMENSIONS ARE IN MILLIMETERS					
ANGLES ARE IN DEGREES					
X ±0.2 Y ±0.1 Z ±0.10					
<b>EWCAP</b>					
REV	4 - 1	DESIGN BY	K.CUNNINGHAM	CHECKED BY	M.VANSLAMBROUCK
DATE		DATE		DATE	03-22-12
DIRECT CONNECT INTERFACE					
16 WAY (2 X 8) 1.5MM SEALED MALE					
SHEET	1 OF 1	DRAWING NUMBER	150-S-016-2-Z01	SIZE	E
				DO NOT SCALE DIMENSIONS	REVISION LEVEL
				C	

**BOM AND PIN OUT SHEET**



ABBREVIATION	DESCRIPTION	COLOR	MATERIAL
A-BLACK	HOUSING, KEYING OPTION A	BLACK	SPS/NYLON GF20
B-LIGHT GRAY	HOUSING, KEYING OPTION B	LIGHT GRAY	SPS/NYLON GF20
C-BROWN	HOUSING, KEYING OPTION C	BROWN	SPS/NYLON GF20
D-GREEN	HOUSING, KEYING OPTION D	GREEN	SPS/NYLON GF20
C-DARK GRAY	HOUSING, KEYING OPTION C	DARK GRAY	SPS/NYLON GF20
D-STONE GRAY	HOUSING, KEYING OPTION D	STONE GRAY	SPS/NYLON GF20
A-YELLOW	HOUSING, KEYING OPTION A	YELLOW	SPS/NYLON GF20
A-BLACK-CLIP	HOUSING, KEYING OPTION A WITH CLIPSLOT	BLACK	SPS/NYLON GF20
B-LIGHT GRAY-CLIP	HOUSING, KEYING OPTION B WITH CLIPSLOT	LIGHT GRAY	SPS/NYLON GF20
C-DARK GRAY-CLIP	HOUSING, KEYING OPTION C WITH CLIPSLOT	DARK GRAY	SPS/NYLON GF20
D-STONE GRAY-CLIP	HOUSING, KEYING OPTION D WITH CLIPSLOT	STONE GRAY	SPS/NYLON GF20
GCO	GROMMET CAP (OPEN)	BLACK	SPS/NYLON GF20
GCP	GROMMET CAP (PLUGGED)	BLACK	SPS/NYLON GF20
PLR	PLR	NATURAL	SPS/NYLON GF20
CPA	CPA	RED	PBT GF30
M	MAT SEAL	LIGHT BLUE	INHERENTLY LUBRICATED SILICONE
R	RING SEAL	GREEN	INHERENTLY LUBRICATED SILICONE

FOR ADDITIONAL INFORMATION SEE SD-33472-0001

ASSEMBLY DESCRIPTION	ASSEMBLY PART NUMBER	COMPONENT						BLOCKED TERMINALS								STATUS	COMMENT	OPTIONAL ATTACHMENTS SOLD SEPARATELY									
		THE PRESENCE OF AN ABBREVIATION INDICATES THE PRESENCE OF THAT COMPONENT						CAVITY WITH A NUMBER INDICATES BLOCKED TERMINAL POSITION CAVITY WITHOUT A NUMBER INDICATES OPEN TERMINAL POSITION										BACKSHELL WITH RIBS	BACKSHELL WITHOUT RIBS	90° ADAPTOR WITH RIBS	90° ADAPTOR WITHOUT RIBS						
		HOUSING KEY/COLOR	GROMMET CAP	PLR	CPA	MAT SEAL	RING SEAL																				
MX150 ASSY RCP 2X8 BK A/16	334721601	A-BLACK	GCO	PLR		M	R	-	-	-	-	-	-	-	-	-	-	-	-	-	-	SALEABLE		N/A	N/A	N/A	N/A
MX150 ASSY RCP 2X8 LG B/16	334721602	B-LIGHT GRAY	GCO	PLR		M	R	-	-	-	-	-	-	-	-	-	-	-	-	-	-	SALEABLE		N/A	N/A	N/A	N/A
MX150 ASSY RCP 2X8 BR C/16	334721603	C-BROWN	GCO	PLR		M	R	-	-	-	-	-	-	-	-	-	-	-	-	-	-	NOT RECOMMENDED	SEE 334721767	N/A	N/A	N/A	N/A
MX150 ASSY RCP 2X8 GR D/16	334721604	D-GREEN	GCO	PLR		M	R	-	-	-	-	-	-	-	-	-	-	-	-	-	-	NOT RECOMMENDED	SEE 334721768	N/A	N/A	N/A	N/A
MX150 ASSY RCP 2X8 CPA BK A/16	334721606	A-BLACK	GCO	PLR	CPA	M	R	-	-	-	-	-	-	-	-	-	-	-	-	-	-	SALEABLE		N/A	N/A	N/A	N/A
MX150 ASSY RCP 2X8 CPA LG B/16	334721607	B-LIGHT GRAY	GCO	PLR	CPA	M	R	-	-	-	-	-	-	-	-	-	-	-	-	-	-	SALEABLE		N/A	N/A	N/A	N/A
MX150 ASSY RCP 2X8 CPA BR C/16	334721608	C-BROWN	GCO	PLR	CPA	M	R	-	-	-	-	-	-	-	-	-	-	-	-	-	-	NOT RECOMMENDED	SEE 334721769	N/A	N/A	N/A	N/A
MX150 ASSY RCP 2X8 CPA GR D/16	334721609	D-GREEN	GCO	PLR	CPA	M	R	-	-	-	-	-	-	-	-	-	-	-	-	-	-	NOT RECOMMENDED	SEE 334721770	N/A	N/A	N/A	N/A
MX150 ASSY RCP 2X8 BK A/15	334721611	A-BLACK	GCP	PLR		M	R	-	-	-	-	-	-	-	-	-	-	-	-	8	-	SALEABLE		N/A	N/A	N/A	N/A
MX150 ASSY RCP 2X8 LG B/15	334721612	B-LIGHT GRAY	GCP	PLR		M	R	-	-	-	-	-	-	-	-	-	-	-	-	8	-	SALEABLE		N/A	N/A	N/A	N/A
MX150 ASSY RCP 2X8 BR C/15	334721613	C-BROWN	GCP	PLR		M	R	-	-	-	-	-	-	-	-	-	-	-	-	8	-	NOT RECOMMENDED		N/A	N/A	N/A	N/A
MX150 ASSY RCP 2X8 GR D/15	334721614	D-GREEN	GCP	PLR		M	R	-	-	-	-	-	-	-	-	-	-	-	-	8	-	NOT RECOMMENDED		N/A	N/A	N/A	N/A
MX150 ASSY RCP 2X8 CPA BK A/15	334721616	A-BLACK	GCP	PLR	CPA	M	R	-	-	-	-	-	-	-	-	-	-	-	-	8	-	SALEABLE		N/A	N/A	N/A	N/A
MX150 ASSY RCP 2X8 CPA LG B/15	334721617	B-LIGHT GRAY	GCP	PLR	CPA	M	R	-	-	-	-	-	-	-	-	-	-	-	-	8	-	SALEABLE		N/A	N/A	N/A	N/A
MX150 ASSY RCP 2X8 CPA BR C/15	334721618	C-BROWN	GCP	PLR	CPA	M	R	-	-	-	-	-	-	-	-	-	-	-	-	8	-	NOT RECOMMENDED		N/A	N/A	N/A	N/A
MX150 ASSY RCP 2X8 CPA GR D/15	334721619	D-GREEN	GCP	PLR	CPA	M	R	-	-	-	-	-	-	-	-	-	-	-	-	8	-	NOT RECOMMENDED		N/A	N/A	N/A	N/A

ASSEMBLY DESCRIPTION	ASSEMBLY PART NUMBER	COMPONENT						BLOCKED TERMINALS								STATUS	COMMENT	OPTIONAL ATTACHMENTS SOLD SEPARATELY											
		THE PRESENCE OF AN ABBREVIATION INDICATES THE PRESENCE OF THAT COMPONENT						CAVITY WITH A NUMBER INDICATES BLOCKED TERMINAL POSITION CAVITY WITHOUT A NUMBER INDICATES OPEN TERMINAL POSITION										BACKSHELL WITH RIBS	BACKSHELL WITHOUT RIBS	90° ADAPTOR WITH RIBS	90° ADAPTOR WITHOUT RIBS								
		HOUSING KEY/COLOR	GROMMET CAP	PLR	CPA	MAT SEAL	RING SEAL	1	2	3	4	5	6	7	8							9	10	11	12	13	14	15	16
MX150 ASSY RCP 2X8 BK A/0	334721621	A-BLACK	GCP	PLR		M	R	1	2	3	4	5	6	7	8	9	10	11	12	13	14	15	16	SALEABLE		N/A	N/A	N/A	N/A
MX150 ASSY RCP 2X8 LG B/0	334721622	B-LIGHT GRAY	GCP	PLR		M	R	1	2	3	4	5	6	7	8	9	10	11	12	13	14	15	16	SALEABLE		N/A	N/A	N/A	N/A
MX150 ASSY RCP 2X8 BR C/0	334721623	C-BROWN	GCP	PLR		M	R	1	2	3	4	5	6	7	8	9	10	11	12	13	14	15	16	NOT RECOMMENDED		N/A	N/A	N/A	N/A
MX150 ASSY RCP 2X8 GR D/0	334721624	D-GREEN	GCP	PLR		M	R	1	2	3	4	5	6	7	8	9	10	11	12	13	14	15	16	NOT RECOMMENDED		N/A	N/A	N/A	N/A
MX150 ASSY RCP 2X8 CPA BK A/0	334721626	A-BLACK	GCP	PLR	CPA	M	R	1	2	3	4	5	6	7	8	9	10	11	12	13	14	15	16	SALEABLE		N/A	N/A	N/A	N/A
MX150 ASSY RCP 2X8 CPA LG B/0	334721627	B-LIGHT GRAY	GCP	PLR	CPA	M	R	1	2	3	4	5	6	7	8	9	10	11	12	13	14	15	16	SALEABLE		N/A	N/A	N/A	N/A
MX150 ASSY RCP 2X8 CPA BR C/0	334721628	C-BROWN	GCP	PLR	CPA	M	R	1	2	3	4	5	6	7	8	9	10	11	12	13	14	15	16	NOT RECOMMENDED		N/A	N/A	N/A	N/A
MX150 ASSY RCP 2X8 CPA GR D/0	334721629	D-GREEN	GCP	PLR	CPA	M	R	1	2	3	4	5	6	7	8	9	10	11	12	13	14	15	16	NOT RECOMMENDED		N/A	N/A	N/A	N/A
MX150 ASSY RCP 2X8 BK A/14	334721631	A-BLACK	GCP	PLR		M	R	-	-	-	-	-	-	-	8	9	-	-	-	-	-	-	-	SALEABLE		N/A	N/A	N/A	N/A
MX150 ASSY RCP 2X8 LG B/14	334721632	B-LIGHT GRAY	GCP	PLR		M	R	-	-	-	-	-	-	-	8	9	-	-	-	-	-	-	-	SALEABLE		N/A	N/A	N/A	N/A
MX150 ASSY RCP 2X8 BR C/14	334721633	C-BROWN	GCP	PLR		M	R	-	-	-	-	-	-	-	8	9	-	-	-	-	-	-	-	NOT RECOMMENDED		N/A	N/A	N/A	N/A
MX150 ASSY RCP 2X8 GR D/14	334721634	D-GREEN	GCP	PLR		M	R	-	-	-	-	-	-	-	8	9	-	-	-	-	-	-	-	NOT RECOMMENDED		N/A	N/A	N/A	N/A
MX150 ASSY RCP 2X8 CPA BK A/14	334721636	A-BLACK	GCP	PLR	CPA	M	R	-	-	-	-	-	-	-	8	9	-	-	-	-	-	-	-	SALEABLE		N/A	N/A	N/A	N/A
MX150 ASSY RCP 2X8 CPA LG B/14	334721637	B-LIGHT GRAY	GCP	PLR	CPA	M	R	-	-	-	-	-	-	-	8	9	-	-	-	-	-	-	-	SALEABLE		N/A	N/A	N/A	N/A
MX150 ASSY RCP 2X8 CPA BR C/14	334721638	C-BROWN	GCP	PLR	CPA	M	R	-	-	-	-	-	-	-	8	9	-	-	-	-	-	-	-	NOT RECOMMENDED		N/A	N/A	N/A	N/A
MX150 ASSY RCP 2X8 CPA GR D/14	334721639	D-GREEN	GCP	PLR	CPA	M	R	-	-	-	-	-	-	-	8	9	-	-	-	-	-	-	-	NOT RECOMMENDED		N/A	N/A	N/A	N/A
MX150 ASSY RCP 2X8 BK A/13	334721641	A-BLACK	GCP	PLR		M	R	1	-	-	-	-	-	-	8	9	-	-	-	-	-	-	-	SALEABLE		N/A	N/A	N/A	N/A
MX150 ASSY RCP 2X8 LG B/13	334721642	B-LIGHT GRAY	GCP	PLR		M	R	1	-	-	-	-	-	-	8	9	-	-	-	-	-	-	-	SALEABLE		N/A	N/A	N/A	N/A
MX150 ASSY RCP 2X8 BR C/13	334721643	C-BROWN	GCP	PLR		M	R	1	-	-	-	-	-	-	8	9	-	-	-	-	-	-	-	NOT RECOMMENDED		N/A	N/A	N/A	N/A
MX150 ASSY RCP 2X8 GR D/13	334721644	D-GREEN	GCP	PLR		M	R	1	-	-	-	-	-	-	8	9	-	-	-	-	-	-	-	NOT RECOMMENDED		N/A	N/A	N/A	N/A
MX150 ASSY RCP 2X8 CPA BK A/13	334721646	A-BLACK	GCP	PLR	CPA	M	R	1	-	-	-	-	-	-	8	9	-	-	-	-	-	-	-	SALEABLE		N/A	N/A	N/A	N/A
MX150 ASSY RCP 2X8 CPA LG B/13	334721647	B-LIGHT GRAY	GCP	PLR	CPA	M	R	1	-	-	-	-	-	-	8	9	-	-	-	-	-	-	-	SALEABLE		N/A	N/A	N/A	N/A
MX150 ASSY RCP 2X8 CPA BR C/13	334721648	C-BROWN	GCP	PLR	CPA	M	R	1	-	-	-	-	-	-	8	9	-	-	-	-	-	-	-	NOT RECOMMENDED		N/A	N/A	N/A	N/A
MX150 ASSY RCP 2X8 CPA GR D/13	334721649	D-GREEN	GCP	PLR	CPA	M	R	1	-	-	-	-	-	-	8	9	-	-	-	-	-	-	-	NOT RECOMMENDED		N/A	N/A	N/A	N/A
MX150 ASSY RCP 2X8 CPA BK A/15	334721652	A-BLACK	GCP	PLR	CPA	M	R	-	-	-	-	-	-	-	-	-	-	-	-	-	-	15	-	SALEABLE		N/A	N/A	N/A	N/A
MX150 ASSY RCP 2X8 BK A/12	334721653	A-BLACK	GCP	PLR		M	R	1	-	-	-	-	-	-	8	9	-	-	-	-	-	-	-	SALEABLE		N/A	N/A	N/A	N/A
MX150 ASSY RCP 2X8 LG B/12	334721654	B-LIGHT GRAY	GCP	PLR		M	R	1	-	-	-	-	-	-	8	9	-	-	-	-	-	-	-	SALEABLE		N/A	N/A	N/A	N/A

ASSEMBLY DESCRIPTION	ASSEMBLY PART NUMBER	COMPONENT						BLOCKED TERMINALS								STATUS	COMMENT	OPTIONAL ATTACHMENTS SOLD SEPARATELY				
		THE PRESENCE OF AN ABBREVIATION INDICATES THE PRESENCE OF THAT COMPONENT						CAVITY WITH A NUMBER INDICATES BLOCKED TERMINAL POSITION CAVITY WITHOUT A NUMBER INDICATES OPEN TERMINAL POSITION										BACKSHELL WITH RIBS	BACKSHELL WITHOUT RIBS	90° ADAPTOR WITH RIBS	90° ADAPTOR WITHOUT RIBS	
		HOUSING KEY/COLOR	GROMMET CAP	PLR	CPA	MAT SEAL	RING SEAL	1	2	3	4	5	6	7	8							9
MX150 ASSY RCP 2X8 BR C/12	334721655	C-BROWN	GCP	PLR		M	R	1	-	-	-	-	-	-	-	8	NOT RECOMMENDED		N/A	N/A	N/A	N/A
								9	-	-	-	-	-	-	-	16						
MX150 ASSY RCP 2X8 GR D/12	334721656	D-GREEN	GCP	PLR		M	R	1	-	-	-	-	-	-	-	8	NOT RECOMMENDED		N/A	N/A	N/A	N/A
								9	-	-	-	-	-	-	-	16						
MX150 ASSY RCP 2X8 CPA BK A/12	334721658	A-BLACK	GCP	PLR	CPA	M	R	1	-	-	-	-	-	-	-	8	SALEABLE		N/A	N/A	N/A	N/A
								9	-	-	-	-	-	-	-	16						
MX150 ASSY RCP 2X8 CPA LG B/12	334721659	B-LIGHT GRAY	GCP	PLR	CPA	M	R	1	-	-	-	-	-	-	-	8	SALEABLE		N/A	N/A	N/A	N/A
								9	-	-	-	-	-	-	-	16						
MX150 ASSY RCP 2X8 CPA BR C/12	334721660	C-BROWN	GCP	PLR	CPA	M	R	1	-	-	-	-	-	-	-	8	NOT RECOMMENDED		N/A	N/A	N/A	N/A
								9	-	-	-	-	-	-	-	16						
MX150 ASSY RCP 2X8 CPA GR D/12	334721661	D-GREEN	GCP	PLR	CPA	M	R	1	-	-	-	-	-	-	-	8	NOT RECOMMENDED		N/A	N/A	N/A	N/A
								9	-	-	-	-	-	-	-	16						
MX150 ASSY RCP 2X8 BK A/7	334721663	A-BLACK	GCP	PLR		M	R	1	-	-	4	-	6	7	8	SALEABLE		N/A	N/A	N/A	N/A	
								9	-	-	12	13	14	-	-							
MX150 ASSY RCP 2X8 BK A/4	334721664	A-BLACK	GCP	PLR		M	R	-	-	3	4	5	-	7	-	SALEABLE		N/A	N/A	N/A	N/A	
								9	10	11	12	13	14	15	16							
MX150 ASSY RCP 2X8 BK A/10	334721665	A-BLACK	GCP	PLR		M	R	-	-	-	-	-	-	7	8	SALEABLE		N/A	N/A	N/A	N/A	
								9	-	-	12	13	14	-	-							
MX150 ASSY RCP 2X8 BK A/6	334721666	A-BLACK	GCP	PLR		M	R	-	-	3	4	5	-	-	-	SALEABLE		N/A	N/A	N/A	N/A	
								-	10	11	12	13	14	15	16							
MX150 ASSY RCP 2X8 BK A/5	334721667	A-BLACK	GCP	PLR		M	R	-	-	3	4	5	-	-	-	SALEABLE		N/A	N/A	N/A	N/A	
								9	10	11	12	13	14	15	16							
MX150 ASSY RCP 2X8 BK A/14	334721668	A-BLACK	GCP	PLR		M	R	1	-	-	-	5	-	-	-	SALEABLE		N/A	N/A	N/A	N/A	
								-	-	-	-	-	-	-	-							
MX150 ASSY RCP 2X8 LG B/10	334721669	B-LIGHT GRAY	GCP	PLR		M	R	-	-	-	-	-	-	-	8	SALEABLE		N/A	N/A	N/A	N/A	
								-	-	-	12	13	14	15	16							
MX150 ASSY RCP 2X8 LG B/11	334721670	B-LIGHT GRAY	GCP	PLR		M	R	-	-	-	-	-	-	-	8	SALEABLE		N/A	N/A	N/A	N/A	
								-	-	-	-	13	14	15	16							
MX150 ASSY RCP 2X8 LG B/14	334721671	B-LIGHT GRAY	GCP	PLR		M	R	-	-	-	-	-	-	-	-	SALEABLE		N/A	N/A	N/A	N/A	
								-	10	11	-	-	-	-	-							
MX150 ASSY RCP 2X8 LG B/13	334721672	B-LIGHT GRAY	GCP	PLR		M	R	-	-	-	-	-	-	-	-	SALEABLE		N/A	N/A	N/A	N/A	
								-	10	11	12	-	-	-	-							
MX150 ASSY RCP 2X8 CPA BK A/10	334721673	A-BLACK	GCP	PLR	CPA	M	R	-	-	-	-	-	-	-	-	SALEABLE		N/A	N/A	N/A	N/A	
								-	10	11	-	13	14	15	16							
MX150 ASSY RCP 2X8 LG B/15	334721674	B-LIGHT GRAY	GCP	PLR		M	R	-	-	-	-	-	-	-	-	SALEABLE		N/A	N/A	N/A	N/A	
								-	-	-	12	-	-	-	-							
MX150 ASSY RCP 2X8 CPA BK A/12	334721675	A-BLACK	GCP	PLR	CPA	M	R	-	-	-	-	-	-	-	-	SALEABLE		N/A	N/A	N/A	N/A	
								-	10	11	-	-	-	15	16							
MX150 ASSY RCP 2X8 CPA BK A/9	334721676	A-BLACK	GCP	PLR	CPA	M	R	-	-	-	-	-	-	-	8	SALEABLE		N/A	N/A	N/A	N/A	
								9	10	11	12	-	-	15	16							
MX150 ASSY RCP 2X8 LG B/10	334721677	B-LIGHT GRAY	GCP	PLR		M	R	-	-	-	4	-	6	7	8	SALEABLE		N/A	N/A	N/A	N/A	
								-	-	-	12	-	14	-	-							
MX150 ASSY RCP 2X8 BK A/15	334721678	A-BLACK	GCP	PLR		M	R	-	-	-	-	5	-	-	-	SALEABLE		N/A	N/A	N/A	N/A	
								-	-	-	-	-	-	-	-							
MX150 ASSY RCP 2X8 BK A/14	334721679	A-BLACK	GCP	PLR		M	R	-	-	-	-	5	-	-	-	SALEABLE		N/A	N/A	N/A	N/A	
								-	-	-	-	-	-	-	16							
MX150 ASSY RCP 2X8 CPA BK A/14	334721680	A-BLACK	GCP	PLR	CPA	M	R	-	-	-	-	-	-	-	-	SALEABLE		N/A	N/A	N/A	N/A	
								-	-	-	-	-	-	15	16							
MX150 ASSY RCP 2X8 BK A/11	334721681	A-BLACK	GCP	PLR		M	R	-	2	-	-	5	-	7	-	SALEABLE		N/A	N/A	N/A	N/A	
								-	10	-	-	-	14	-	-							
MX150 ASSY RCP 2X8 LG B/15	334721682	B-LIGHT GRAY	GCP	PLR		M	R	-	-	-	4	-	-	-	-	SALEABLE		N/A	N/A	N/A	N/A	
								-	-	-	-	-	-	-	-							
MX150 ASSY RCP 2X8 BK A/15	334721683	A-BLACK	GCP	PLR		M	R	-	-	-	-	-	-	-	-	SALEABLE		N/A	N/A	N/A	N/A	
								-	-	-	-	-	-	-	16							

ASSEMBLY DESCRIPTION	ASSEMBLY PART NUMBER	COMPONENT						BLOCKED TERMINALS								STATUS	COMMENT	OPTIONAL ATTACHMENTS SOLD SEPARATELY			
		THE PRESENCE OF AN ABBREVIATION INDICATES THE PRESENCE OF THAT COMPONENT						CAVITY WITH A NUMBER INDICATES BLOCKED TERMINAL POSITION CAVITY WITHOUT A NUMBER INDICATES OPEN TERMINAL POSITION										BACKSHELL WITH RIBS	BACKSHELL WITHOUT RIBS	90° ADAPTOR WITH RIBS	90° ADAPTOR WITHOUT RIBS
		HOUSING KEY/COLOR	GROMMET CAP	PLR	CPA	MAT SEAL	RING SEAL	1	2	3	4	5	6	7	8						
MX150 ASSY RCP 2X8 BK A/14	334721684	A-BLACK	GCP	PLR		M	R	-	-	-	4	-	-	-	-	SALEABLE		N/A	N/A	N/A	N/A
MX150 ASSY RCP 2X8 LG B/15	334721685	B-LIGHT GRAY	GCP	PLR		M	R	-	-	-	-	-	-	-	-	SALEABLE		N/A	N/A	N/A	N/A
MX150 ASSY RCP 2X8 LG B/13	334721686	B-LIGHT GRAY	GCP	PLR		M	R	-	-	-	4	-	-	-	-	SALEABLE		N/A	N/A	N/A	N/A
MX150 ASSY RCP 2X8 LG B/15	334721687	B-LIGHT GRAY	GCP	PLR		M	R	-	-	-	-	-	-	-	-	SALEABLE		N/A	N/A	N/A	N/A
MX150 ASSY RCP 2X8 BK A/15	334721688	A-BLACK	GCP	PLR		M	R	-	2	-	-	-	-	-	-	SALEABLE		N/A	N/A	N/A	N/A
MX150 ASSY RCP 2X8 LG B/12	334721689	B-LIGHT GRAY	GCP	PLR		M	R	-	2	-	4	-	-	-	-	SALEABLE		N/A	N/A	N/A	N/A
MX150 ASSY RCP 2X8 LG B/14	334721690	B-LIGHT GRAY	GCP	PLR		M	R	-	2	-	-	-	-	-	-	SALEABLE		N/A	N/A	N/A	N/A
MX150 ASSY RCP 2X8 BK A/13	334721691	A-BLACK	GCP	PLR		M	R	-	2	-	4	-	-	-	-	SALEABLE		N/A	N/A	N/A	N/A
MX150 ASSY RCP 2X8 BK A/13	334721692	A-BLACK	GCP	PLR		M	R	-	-	-	4	-	-	-	8	SALEABLE		N/A	N/A	N/A	N/A
MX150 ASSY RCP 2X8 LG B/12	334721693	B-LIGHT GRAY	GCP	PLR		M	R	-	-	-	4	-	-	-	8	SALEABLE		N/A	N/A	N/A	N/A
MX150 ASSY RCP 2X8 LG B/14	334721694	B-LIGHT GRAY	GCP	PLR		M	R	-	-	-	-	-	-	-	8	SALEABLE		N/A	N/A	N/A	N/A
MX150 ASSY RCP 2X8 BK A/14	334721695	A-BLACK	GCP	PLR		M	R	-	2	-	-	-	-	-	8	SALEABLE		N/A	N/A	N/A	N/A
MX150 ASSY RCP 2X8 BK A/12	334721701	A-BLACK	GCP	PLR		M	R	-	2	-	4	-	-	-	8	SALEABLE		N/A	N/A	N/A	N/A
MX150 ASSY RCP 2X8 LG B/11	334721702	B-LIGHT GRAY	GCP	PLR		M	R	-	2	-	4	-	-	-	8	SALEABLE		N/A	N/A	N/A	N/A
MX150 ASSY RCP 2X8 LG B/13	334721703	B-LIGHT GRAY	GCP	PLR		M	R	-	2	-	-	-	-	-	8	SALEABLE		N/A	N/A	N/A	N/A
MX150 ASSY RCP 2X8 BK A/14	334721704	A-BLACK	GCP	PLR		M	R	-	2	-	4	-	-	-	-	SALEABLE		N/A	N/A	N/A	N/A
MX150 ASSY RCP 2X8 LG B/13	334721705	B-LIGHT GRAY	GCP	PLR		M	R	-	2	-	4	-	-	-	-	SALEABLE		N/A	N/A	N/A	N/A
MX150 ASSY RCP 2X8 BK A/9	334721706	A-BLACK	GCP	PLR		M	R	-	2	-	-	-	6	-	-	SALEABLE		N/A	N/A	N/A	N/A
MX150 ASSY RCP 2X8 BK A/8	334721707	A-BLACK	GCP	PLR		M	R	-	2	-	-	-	6	-	-	SALEABLE		N/A	N/A	N/A	N/A
MX150 ASSY RCP 2X8 BK A/11	334721708	A-BLACK	GCP	PLR		M	R	-	2	-	-	-	6	-	-	SALEABLE		N/A	N/A	N/A	N/A
MX150 ASSY RCP 2X8 BK A/14	334721709	A-BLACK	GCP	PLR		M	R	-	-	-	4	-	-	-	8	SALEABLE		N/A	N/A	N/A	N/A
MX150 ASSY RCP 2X8 BK A/13	334721710	A-BLACK	GCP	PLR		M	R	-	2	-	-	-	6	-	-	SALEABLE		N/A	N/A	N/A	N/A
MX150 ASSY RCP 2X8 BK A/14	334721711	A-BLACK	GCP	PLR		M	R	-	2	-	-	-	6	-	-	SALEABLE		N/A	N/A	N/A	N/A
MX150 ASSY RCP 2X8 CPA BK A/11	334721712	A-BLACK	GCP	PLR	CPA	M	R	-	-	-	-	5	6	7	8	SALEABLE		N/A	N/A	N/A	N/A
MX150 ASSY RCP 2X8 CPA BK A/8	334721713	A-BLACK	GCP	PLR	CPA	M	R	-	-	-	-	5	6	7	8	SALEABLE		N/A	N/A	N/A	N/A
MX150 ASSY RCP 2X8 CPA BK A/9	334721714	A-BLACK	GCP	PLR	CPA	M	R	-	-	-	-	5	6	7	8	SALEABLE		N/A	N/A	N/A	N/A
MX150 ASSY RCP 2X8 CPA LG B/6	334721715	B-LIGHT GRAY	GCP	PLR	CPA	M	R	1	2	3	4	5	6	-	8	SALEABLE		N/A	N/A	N/A	N/A



ASSEMBLY DESCRIPTION	ASSEMBLY PART NUMBER	COMPONENT						BLOCKED TERMINALS								STATUS	COMMENT	OPTIONAL ATTACHMENTS SOLD SEPARATELY			
		THE PRESENCE OF AN ABBREVIATION INDICATES THE PRESENCE OF THAT COMPONENT						CAVITY WITH A NUMBER INDICATES BLOCKED TERMINAL POSITION CAVITY WITHOUT A NUMBER INDICATES OPEN TERMINAL POSITION										BACKSHELL WITH RIBS	BACKSHELL WITHOUT RIBS	90° ADAPTOR WITH RIBS	90° ADAPTOR WITHOUT RIBS
		HOUSING KEY/COLOR	GROMMET CAP	PLR	CPA	MAT SEAL	RING SEAL	1	2	3	4	5	6	7	8						
MX150 ASSY RCP 2X8 CPA LG B/10	334721716	B-LIGHT GRAY	GCP	PLR	CPA	M	R	1	-	3	4	5	-	-	8	SALEABLE		N/A	N/A	N/A	N/A
								-	10	-	-	-	-	-	-						
MX150 ASSY RCP 2X8 CPA LG B/11	334721717	B-LIGHT GRAY	GCP	PLR	CPA	M	R	1	-	-	4	5	-	-	8	SALEABLE		N/A	N/A	N/A	N/A
								-	10	-	-	-	-	-	-						
MX150 ASSY RCP 2X8 CPA BK A/10	334721718	A-BLACK	GCP	PLR	CPA	M	R	-	-	-	-	5	6	7	8	SALEABLE		N/A	N/A	N/A	N/A
								-	-	11	-	13	-	-	-						
MX150 ASSY RCP 2X8 CPA BK A/11	334721719	A-BLACK	GCP	PLR	CPA	M	R	-	-	-	4	5	6	-	-	SALEABLE		N/A	N/A	N/A	N/A
								-	-	-	-	-	-	15	16						
MX150 ASSY RCP 2X8 CPA BK A/10	334721720	A-BLACK	GCP	PLR	CPA	M	R	-	-	3	4	5	6	-	-	SALEABLE		N/A	N/A	N/A	N/A
								-	-	-	-	-	-	15	16						
MX150 ASSY RCP 2X8 CPA BK A/11	334721721	A-BLACK	GCP	PLR	CPA	M	R	-	-	-	-	-	-	-	8	SALEABLE		N/A	N/A	N/A	N/A
								-	-	-	-	13	14	15	16						
MX150 ASSY RCP 2X8 CPA BK A/6	334721722	A-BLACK	GCP	PLR	CPA	M	R	1	2	3	4	5	6	-	8	SALEABLE		N/A	N/A	N/A	N/A
								-	-	-	-	13	-	15	16						
MX150 ASSY RCP 2X8 CPA BK A/10	334721723	A-BLACK	GCP	PLR	CPA	M	R	-	-	-	-	-	-	7	8	SALEABLE		N/A	N/A	N/A	N/A
								-	-	11	12	13	14	-	-						
MX150 ASSY RCP 2X8 CPA BK A/11	334721724	A-BLACK	GCP	PLR	CPA	M	R	-	-	-	-	-	-	7	8	SALEABLE		N/A	N/A	N/A	N/A
								-	-	-	12	13	14	-	-						
MX150 ASSY RCP 2X8 CPA BK A/13	334721725	A-BLACK	GCP	PLR	CPA	M	R	-	-	-	-	-	-	7	8	SALEABLE		N/A	N/A	N/A	N/A
								-	-	-	-	13	-	-	-						
MX150 ASSY RCP 2X8 CPA BK A/12	334721726	A-BLACK	GCP	PLR	CPA	M	R	-	-	-	-	-	-	7	8	SALEABLE		N/A	N/A	N/A	N/A
								-	-	11	-	13	-	-	-						
MX150 ASSY RCP 2X8 CPA LG B/12	334721728	B-LIGHT GRAY	GCP	PLR	CPA	M	R	-	-	-	4	5	-	-	8	SALEABLE		N/A	N/A	N/A	N/A
								-	-	-	12	-	-	-	-						
MX150 ASSY RCP 2X8 CPA LG B/7	334721729	B-LIGHT GRAY	GCP	PLR	CPA	M	R	1	2	-	4	5	6	-	8	SALEABLE		N/A	N/A	N/A	N/A
								-	10	-	12	13	-	-	-						
MX150 ASSY RCP 2X8 CPA LG B/6	334721730	B-LIGHT GRAY	GCP	PLR	CPA	M	R	-	2	-	4	5	6	-	8	SALEABLE		N/A	N/A	N/A	N/A
								-	10	11	12	13	-	-	16						
MX150 ASSY RCP 2X8 CPA LG B/12	334721731	B-LIGHT GRAY	GCP	PLR	CPA	M	R	-	-	-	4	5	-	-	-	SALEABLE		N/A	N/A	N/A	N/A
								-	-	-	12	13	-	-	-						
MX150 ASSY RCP 2X8 CPA LG B/8	334721732	B-LIGHT GRAY	GCP	PLR	CPA	M	R	-	2	-	4	5	6	-	8	SALEABLE		N/A	N/A	N/A	N/A
								-	10	-	12	13	-	-	-						
MX150 ASSY RCP 2X8 CPA LG B/14	334721733	B-LIGHT GRAY	GCP	PLR	CPA	M	R	-	-	-	-	-	6	-	-	SALEABLE		N/A	N/A	N/A	N/A
								-	-	11	-	-	-	-	-						
MX150 ASSY RCP 2X8 CPA LG B/13	334721734	B-LIGHT GRAY	GCP	PLR	CPA	M	R	-	-	3	-	-	6	-	-	SALEABLE		N/A	N/A	N/A	N/A
								-	-	11	-	-	-	-	-						
MX150 ASSY RCP 2X8 CPA LG B/7	334721735	B-LIGHT GRAY	GCP	PLR	CPA	M	R	-	2	3	4	5	6	-	8	SALEABLE		N/A	N/A	N/A	N/A
								-	10	-	12	13	-	-	-						
MX150 ASSY RCP 2X8 BK A/8	334721736	A-BLACK	GCP	PLR		M	R	-	2	-	4	5	6	-	-	SALEABLE		N/A	N/A	N/A	N/A
								-	10	-	12	13	14	-	-						
MX150 ASSY RCP 2X8 CPA LG B/4	334721737	B-LIGHT GRAY	GCP	PLR	CPA	M	R	1	2	3	4	5	6	-	8	SALEABLE		N/A	N/A	N/A	N/A
								-	10	11	12	13	-	-	16						
MX150 ASSY RCP 2X8 CPA LG B/15	334721738	B-LIGHT GRAY	GCP	PLR	CPA	M	R	-	-	-	-	-	-	-	-	SALEABLE		N/A	N/A	N/A	N/A
								-	10	-	-	-	-	-	-						
MX150 ASSY RCP 2X8 CPA LG B/11	334721739	B-LIGHT GRAY	GCP	PLR	CPA	M	R	-	-	-	4	5	-	-	-	SALEABLE		N/A	N/A	N/A	N/A
								-	10	-	12	13	-	-	-						
MX150 ASSY RCP 2X8 CPA BK A/14	334721740	A-BLACK	GCP	PLR	CPA	M	R	-	-	-	-	5	-	-	-	SALEABLE		N/A	N/A	N/A	N/A
								-	-	-	-	13	-	-	-						
MX150 ASSY RCP 2X8 CPA BK A/9	334721741	A-BLACK	GCP	PLR	CPA	M	R	-	-	-	-	-	-	7	8	SALEABLE		N/A	N/A	N/A	N/A
								-	-	11	12	13	14	15	-						
MX150 ASSY RCP 2X8 CPA BK A/10	334721742	A-BLACK	GCP	PLR	CPA	M	R	-	-	-	-	-	-	7	8	SALEABLE		N/A	N/A	N/A	N/A
								-	-	-	12	13	14	15	-						
MX150 ASSY RCP 2X8 CPA BK A/14	334721743	A-BLACK	GCP	PLR	CPA	M	R	-	-	-	-	-	-	7	8	SALEABLE		N/A	N/A	N/A	N/A
								-	-	-	-	-	-	-	-						

ASSEMBLY DESCRIPTION	ASSEMBLY PART NUMBER	COMPONENT						BLOCKED TERMINALS								STATUS	COMMENT	OPTIONAL ATTACHMENTS SOLD SEPARATELY				
		THE PRESENCE OF AN ABBREVIATION INDICATES THE PRESENCE OF THAT COMPONENT						CAVITY WITH A NUMBER INDICATES BLOCKED TERMINAL POSITION CAVITY WITHOUT A NUMBER INDICATES OPEN TERMINAL POSITION										BACKSHELL WITH RIBS	BACKSHELL WITHOUT RIBS	90° ADAPTOR WITH RIBS	90° ADAPTOR WITHOUT RIBS	
		HOUSING KEY/COLOR	GROMMET CAP	PLR	CPA	MAT SEAL	RING SEAL	1	2	3	4	5	6	7	8							
MX150 ASSY RCP 2X8 CPA BK A/15	334721744	A-BLACK	GCP	PLR	CPA	M	R	-	-	-	-	-	-	-	-	-	SALEABLE		N/A	N/A	N/A	N/A
MX150 ASSY RCP 2X8 BK A/12	334721745	A-BLACK	GCP	PLR		M	R	-	-	11	-	-	-	-	-	-	SALEABLE		N/A	N/A	N/A	N/A
MX150 ASSY RCP 2X8 BK A/4	334721746	A-BLACK	GCP	PLR		M	R	1	2	3	4	5	6	-	-	-	SALEABLE		N/A	N/A	N/A	N/A
MX150 ASSY RCP 2X8 BK A/5	334721747	A-BLACK	GCP	PLR		M	R	1	2	3	4	5	6	-	8	-	SALEABLE		N/A	N/A	N/A	N/A
MX150 ASSY RCP 2X8 BK A/5	334721748	A-BLACK	GCP	PLR		M	R	1	2	3	4	5	6	-	-	-	SALEABLE		N/A	N/A	N/A	N/A
MX150 ASSY RCP 2X8 BK A/6	334721749	A-BLACK	GCP	PLR		M	R	-	-	-	-	-	-	7	8	-	SALEABLE		N/A	N/A	N/A	N/A
MX150 ASSY RCP 2X8 BK A/7	334721750	A-BLACK	GCP	PLR		M	R	1	2	3	4	5	6	-	-	-	SALEABLE		N/A	N/A	N/A	N/A
MX150 ASSY RCP 2X8 BK A/7	334721751	A-BLACK	GCP	PLR		M	R	-	-	-	-	-	-	-	8	-	SALEABLE		N/A	N/A	N/A	N/A
MX150 ASSY RCP 2X8 BK A/9	334721752	A-BLACK	GCP	PLR		M	R	-	-	-	-	-	-	-	-	-	SALEABLE		N/A	N/A	N/A	N/A
MX150 ASSY RCP 2X8 BK A/10	334721753	A-BLACK	GCP	PLR		M	R	-	-	-	-	-	-	-	-	-	SALEABLE		N/A	N/A	N/A	N/A
MX150 ASSY RCP 2X8 BK A/10	334721754	A-BLACK	GCP	PLR		M	R	1	2	3	4	5	6	-	-	-	SALEABLE		N/A	N/A	N/A	N/A
MX150 ASSY RCP 2X8 BK A/11	334721755	A-BLACK	GCP	PLR		M	R	-	-	-	-	-	-	-	8	-	SALEABLE		N/A	N/A	N/A	N/A
MX150 ASSY RCP 2X8 BK A/11	334721756	A-BLACK	GCP	PLR		M	R	-	-	-	-	-	-	-	-	-	SALEABLE		N/A	N/A	N/A	N/A
MX150 ASSY RCP 2X8 BK A/12	334721757	A-BLACK	GCP	PLR		M	R	-	-	-	12	13	14	15	16	-	SALEABLE		N/A	N/A	N/A	N/A
MX150 ASSY RCP 2X8 BK A/13	334721758	A-BLACK	GCP	PLR		M	R	-	-	-	-	-	-	7	8	-	SALEABLE		N/A	N/A	N/A	N/A
MX150 ASSY RCP 2X8 BK A/13	334721758	A-BLACK	GCP	PLR		M	R	-	-	-	-	-	14	15	16	-	SALEABLE		N/A	N/A	N/A	N/A
MX150 ASSY RCP 2X8 BK A/12	334721759	A-BLACK	GCP	PLR		M	R	-	2	-	-	-	6	7	8	-	SALEABLE		N/A	N/A	N/A	N/A
MX150 ASSY RCP 2X8 BK A/10	334721760	A-BLACK	GCP	PLR		M	R	-	2	-	4	-	6	7	8	-	SALEABLE		N/A	N/A	N/A	N/A
MX150 ASSY RCP 2X8 BK A/5	334721761	A-BLACK	GCP	PLR		M	R	-	2	-	-	5	6	7	8	-	SALEABLE		N/A	N/A	N/A	N/A
MX150 ASSY RCP 2X8 BK A/7	334721762	A-BLACK	GCP	PLR		M	R	9	10	-	12	-	14	15	16	-	SALEABLE		N/A	N/A	N/A	N/A
MX150 ASSY RCP 2X8 BK A/7	334721762	A-BLACK	GCP	PLR		M	R	-	2	-	-	5	6	7	8	-	SALEABLE		N/A	N/A	N/A	N/A
MX150 ASSY RCP 2X8 BK A/11	334721763	A-BLACK	GCP	PLR		M	R	-	10	-	12	-	14	15	-	-	SALEABLE		N/A	N/A	N/A	N/A
MX150 ASSY RCP 2X8 BK A/11	334721763	A-BLACK	GCP	PLR		M	R	-	2	-	-	-	-	-	-	-	SALEABLE		N/A	N/A	N/A	N/A
MX150 ASSY RCP 2X8 BK A/11	334721763	A-BLACK	GCP	PLR		M	R	9	10	-	-	-	-	15	16	-	SALEABLE		N/A	N/A	N/A	N/A
MX150 ASSY RCP 2X8 BK A/13	334721764	A-BLACK	GCP	PLR		M	R	-	2	-	-	-	-	-	-	-	SALEABLE		N/A	N/A	N/A	N/A
MX150 ASSY RCP 2X8 BK A/13	334721764	A-BLACK	GCP	PLR		M	R	-	10	-	-	-	-	15	-	-	SALEABLE		N/A	N/A	N/A	N/A
MX150 ASSY RCP 2X8 BK A/6	334721765	A-BLACK	GCP	PLR		M	R	1	2	3	4	5	6	7	8	-	SALEABLE		N/A	N/A	N/A	N/A
MX150 ASSY RCP 2X8 BK A/6	334721765	A-BLACK	GCP	PLR		M	R	9	10	-	-	-	-	-	-	-	SALEABLE		N/A	N/A	N/A	N/A
MX150 ASSY RCP 2X8 BK A/3	334721766	A-BLACK	GCP	PLR		M	R	1	2	3	4	5	6	-	-	-	SALEABLE		N/A	N/A	N/A	N/A
MX150 ASSY RCP 2X8 BK A/3	334721766	A-BLACK	GCP	PLR		M	R	-	10	11	12	13	14	15	16	-	SALEABLE		N/A	N/A	N/A	N/A
MX150 ASSY RCP 2X8 DG C/16	334721767	C-DARK GRAY	GCO	PLR		M	R	-	-	-	-	-	-	-	-	-	SALEABLE		N/A	N/A	N/A	N/A
MX150 ASSY RCP 2X8 DG C/16	334721767	C-DARK GRAY	GCO	PLR		M	R	-	-	-	-	-	-	-	-	-	SALEABLE		N/A	N/A	N/A	N/A
MX150 ASSY RCP 2X8 SG D/16	334721768	D-STONE GRAY	GCO	PLR		M	R	-	-	-	-	-	-	-	-	-	SALEABLE		N/A	N/A	N/A	N/A
MX150 ASSY RCP 2X8 SG D/16	334721768	D-STONE GRAY	GCO	PLR		M	R	-	-	-	-	-	-	-	-	-	SALEABLE		N/A	N/A	N/A	N/A
MX150 ASSY RCP 2X8 CPA DG C/16	334721769	C-DARK GRAY	GCO	PLR	CPA	M	R	-	-	-	-	-	-	-	-	-	SALEABLE		N/A	N/A	N/A	N/A
MX150 ASSY RCP 2X8 CPA DG C/16	334721769	C-DARK GRAY	GCO	PLR	CPA	M	R	-	-	-	-	-	-	-	-	-	SALEABLE		N/A	N/A	N/A	N/A
MX150 ASSY RCP 2X8 CPA SG D/16	334721770	D-STONE GRAY	GCO	PLR	CPA	M	R	-	-	-	-	-	-	-	-	-	SALEABLE		N/A	N/A	N/A	N/A
MX150 ASSY RCP 2X8 CPA SG D/16	334721770	D-STONE GRAY	GCO	PLR	CPA	M	R	-	-	-	-	-	-	-	-	-	SALEABLE		N/A	N/A	N/A	N/A

ASSEMBLY DESCRIPTION	ASSEMBLY PART NUMBER	COMPONENT						BLOCKED TERMINALS								STATUS	COMMENT	OPTIONAL ATTACHMENTS SOLD SEPARATELY			
		THE PRESENCE OF AN ABBREVIATION INDICATES THE PRESENCE OF THAT COMPONENT						CAVITY WITH A NUMBER INDICATES BLOCKED TERMINAL POSITION CAVITY WITHOUT A NUMBER INDICATES OPEN TERMINAL POSITION										BACKSHELL WITH RIBS	BACKSHELL WITHOUT RIBS	90° ADAPTOR WITH RIBS	90° ADAPTOR WITHOUT RIBS
		HOUSING KEY/COLOR	GROMMET CAP	PLR	CPA	MAT SEAL	RING SEAL	1	2	3	4	5	6	7	8						
MX150 ASSY RCP 2X8 LG B/2	334721771	B-LIGHT GRAY	GCP	PLR		M	R	1	2	3	4	5	6	7	8	SALEABLE		N/A	N/A	N/A	N/A
								9	10	-	12	-	14	15	16						
MX150 ASSY RCP 2X8 LG B/3	334721772	B-LIGHT GRAY	GCP	PLR		M	R	1	2	3	4	5	6	7	8	SALEABLE		N/A	N/A	N/A	N/A
								9	10	-	12	-	14	15	-						
MX150 ASSY RCP 2X8 CPA LG B/10	334721773	B-LIGHT GRAY	GCP	PLR	CPA	M	R	-	-	-	4	5	-	-	-	SALEABLE		N/A	N/A	N/A	N/A
								-	10	11	12	13	-	-	-						
MX150 ASSY RCP 2X8 CPA LG B/9	334721774	B-LIGHT GRAY	GCP	PLR	CPA	M	R	-	-	-	4	5	-	-	8	SALEABLE		N/A	N/A	N/A	N/A
								-	10	11	12	13	-	-	-						
MX150 ASSY RCP 2X8 CPA LG B/8	334721775	B-LIGHT GRAY	GCP	PLR	CPA	M	R	-	-	-	4	5	-	-	8	SALEABLE		N/A	N/A	N/A	N/A
								-	10	11	12	13	-	-	16						
MX150 ASSY RCP 2X8 CPA LG B/10	334721776	B-LIGHT GRAY	GCP	PLR	CPA	M	R	-	-	-	4	5	-	-	8	SALEABLE		N/A	N/A	N/A	N/A
								-	10	-	12	13	-	-	-						
MX150 ASSY RCP 2X8 CPA LG B/11	334721777	B-LIGHT GRAY	GCP	PLR	CPA	M	R	-	-	-	4	5	-	-	-	SALEABLE		N/A	N/A	N/A	N/A
								-	-	11	12	13	-	-	-						
MX150 ASSY RCP 2X8 BK A/10	334721778	A-BLACK	GCP	PLR		M	R	-	-	3	4	-	-	-	-	SALEABLE		N/A	N/A	N/A	N/A
								9	10	-	-	-	-	15	16						
MX150 ASSY RCP 2X8 BK A/7	334721779	A-BLACK	GCP	PLR		M	R	-	2	-	4	-	6	7	-	SALEABLE		N/A	N/A	N/A	N/A
								9	-	11	-	13	-	15	16						
MX150 ASSY RCP 2X8 CPA BK A/13	334721780	A-BLACK	GCP	PLR	CPA	M	R	-	-	-	-	-	-	-	-	SALEABLE		N/A	N/A	N/A	N/A
								-	-	-	-	-	14	15	16						
MX150 ASSY RCP 2X8 BK A/13	334721781	A-BLACK	GCP	PLR		M	R	-	-	-	4	5	-	7	-	SALEABLE		N/A	N/A	N/A	N/A
								-	-	-	-	-	-	-	-						
MX150 ASSY RCP 2X8 CPA BK A/11	334721782	A-BLACK	GCP	PLR	CPA	M	R	-	-	-	-	-	-	-	-	SALEABLE		N/A	N/A	N/A	N/A
								-	-	-	12	13	14	15	16						
MX150 ASSY RCP 2X8 BK A/4	334721783	A-BLACK	GCP	PLR		M	R	1	2	3	4	-	-	7	8	SALEABLE		N/A	N/A	N/A	N/A
								9	10	11	12	-	-	15	16						
MX150 ASSY RCP 2X8 BK A/6	334721784	A-BLACK	GCP	PLR		M	R	1	2	3	4	-	-	-	8	SALEABLE		N/A	N/A	N/A	N/A
								9	10	11	12	-	-	-	16						
MX150 ASSY RCP 2X8 BK A/9	334721785	A-BLACK	GCP	PLR		M	R	-	2	3	4	-	-	-	-	SALEABLE		N/A	N/A	N/A	N/A
								9	10	-	-	-	-	15	16						
MX150 ASSY RCP 2X8 BK A/3	334721786	A-BLACK	GCP	PLR		M	R	-	2	3	4	5	6	7	8	SALEABLE		N/A	N/A	N/A	N/A
								9	10	-	12	-	14	15	16						
MX150 ASSY RCP 2X8 BK A/10	334721787	A-BLACK	GCP	PLR		M	R	-	-	-	-	5	-	-	8	SALEABLE		N/A	N/A	N/A	N/A
								-	10	11	-	13	-	15	-						
MX150 ASSY RCP 2X8 BK A/9	334721788	A-BLACK	GCP	PLR		M	R	-	-	3	-	5	-	-	8	SALEABLE		N/A	N/A	N/A	N/A
								-	10	11	-	13	-	15	-						
MX150 ASSY RCP 2X8 BK A/11	334721789	A-BLACK	GCP	PLR		M	R	-	-	-	-	5	-	-	8	SALEABLE		N/A	N/A	N/A	N/A
								-	10	11	-	-	14	-	-						
MX150 ASSY RCP 2X8 BK A/6	334721790	A-BLACK	GCP	PLR		M	R	-	-	3	4	5	-	-	8	SALEABLE		N/A	N/A	N/A	N/A
								-	10	11	12	13	14	15	-						
MX150 ASSY RCP 2X8 BK A/7	334721792	A-BLACK	GCP	PLR		M	R	1	-	3	-	5	-	7	8	SALEABLE		N/A	N/A	N/A	N/A
								-	10	11	-	-	14	15	-						
MX150 ASSY RCP 2X8 BK A/12	334721793	A-BLACK	GCP	PLR		M	R	-	-	-	-	-	-	-	-	SALEABLE		N/A	N/A	N/A	N/A
								-	-	-	-	13	14	15	16						
MX150 ASSY RCP 2X8 CPA BK A/14	334721795	A-BLACK	GCP	PLR	CPA	M	R	-	-	-	-	-	-	-	-	SALEABLE		N/A	N/A	N/A	N/A
								-	-	-	12	-	14	-	-						
MX150 ASSY RCP 2X8 BK A/8	334721796	A-BLACK	GCP	PLR		M	R	1	-	-	-	5	-	7	8	SALEABLE		N/A	N/A	N/A	N/A
								-	10	11	-	-	14	15	-						
MX150 ASSY RCP 2X8 BK A/12	334721797	A-BLACK	GCP	PLR		M	R	-	-	-	-	5	-	-	8	SALEABLE		N/A	N/A	N/A	N/A
								-	10	11	-	-	-	-	-						
MX150 ASSY RCP 2X8 BK A/10	334721798	A-BLACK	GCP	PLR		M	R	1	-	3	-	5	-	7	-	SALEABLE		N/A	N/A	N/A	N/A
								-	-	11	-	-	-	15	-						
MX150 ASSY RCP 2X8 CPA LG B/11	334721799	B-LIGHT GRAY	GCP	PLR	CPA	M	R	-	2	-	4	-	-	-	8	SALEABLE		N/A	N/A	N/A	N/A
								-	-	-	12	-	14	-	-						



ASSEMBLY DESCRIPTION	ASSEMBLY PART NUMBER	COMPONENT						BLOCKED TERMINALS								STATUS	COMMENT	OPTIONAL ATTACHMENTS SOLD SEPARATELY			
		THE PRESENCE OF AN ABBREVIATION INDICATES THE PRESENCE OF THAT COMPONENT						CAVITY WITH A NUMBER INDICATES BLOCKED TERMINAL POSITION CAVITY WITHOUT A NUMBER INDICATES OPEN TERMINAL POSITION										BACKSHELL WITH RIBS	BACKSHELL WITHOUT RIBS	90° ADAPTOR WITH RIBS	90° ADAPTOR WITHOUT RIBS
		HOUSING KEY/COLOR	GROMMET CAP	PLR	CPA	MAT SEAL	RING SEAL	1	2	3	4	5	6	7	8						
MX150 ASSY RCP 2X8 BK A/13	334721800	A-BLACK	GCP	PLR		M	R	1	-	3	-	5	-	-	-	SALEABLE		N/A	N/A	N/A	N/A
MX150 ASSY RCP 2X8 CPA LG B/11	334721801	B-LIGHT GRAY	GCP	PLR	CPA	M	R	-	-	-	4	5	-	-	8	SALEABLE		N/A	N/A	N/A	N/A
MX150 ASSY RCP 2X8 CPA LG B/9	334721802	B-LIGHT GRAY	GCP	PLR	CPA	M	R	-	2	-	4	5	6	-	8	SALEABLE		N/A	N/A	N/A	N/A
MX150 ASSY RCP 2X8 CPA LG B/8	334721804	B-LIGHT GRAY	GCP	PLR	CPA	M	R	-	2	3	4	5	6	-	8	SALEABLE		N/A	N/A	N/A	N/A
MX150 ASSY RCP 2X8 BK A/14	334721805	A-BLACK	GCP	PLR		M	R	-	-	-	-	-	-	-	-	SALEABLE		N/A	N/A	N/A	N/A
MX150 ASSY RCP 2X8 CPA BK A/8	334721806	A-BLACK	GCP	PLR	CPA	M	R	1	-	3	4	-	-	-	-	SALEABLE		N/A	N/A	N/A	N/A
MX150 ASSY RCP 2X8 CPA BK A/4	334721807	A-BLACK	GCP	PLR	CPA	M	R	1	2	3	4	5	-	-	8	SALEABLE		N/A	N/A	N/A	N/A
MX150 ASSY RCP 2X8 CPA BK A/10	334721808	A-BLACK	GCP	PLR	CPA	M	R	-	2	3	4	5	-	-	8	SALEABLE		N/A	N/A	N/A	N/A
MX150 ASSY RCP 2X8 CPA BK A/14	334721809	A-BLACK	GCP	PLR	CPA	M	R	-	-	3	4	-	-	-	-	SALEABLE		N/A	N/A	N/A	N/A
MX150 ASSY RCP 2X8 BK A/4	334721810	A-BLACK	GCP	PLR		M	R	1	2	3	4	5	6	7	8	SALEABLE		N/A	N/A	N/A	N/A
MX150 ASSY RCP 2X8 BK A/10	334721811	A-BLACK	GCP	PLR		M	R	1	2	3	-	-	-	-	-	SALEABLE		N/A	N/A	N/A	N/A
MX150 ASSY RCP 2X8 BK A/11	334721812	A-BLACK	GCP	PLR		M	R	1	2	-	-	-	-	-	-	SALEABLE		N/A	N/A	N/A	N/A
MX150 ASSY RCP 2X8 LG B/12	334721813	B-LIGHT GRAY	GCP	PLR		M	R	-	-	-	-	-	6	7	8	SALEABLE		N/A	N/A	N/A	N/A
MX150 ASSY RCP 2X8 LG B/11	334721814	B-LIGHT GRAY	GCP	PLR		M	R	-	-	-	-	-	6	7	8	SALEABLE		N/A	N/A	N/A	N/A
MX150 ASSY RCP 2X8 LG B/9	334721815	B-LIGHT GRAY	GCP	PLR		M	R	-	-	-	-	-	6	-	-	SALEABLE		N/A	N/A	N/A	N/A
MX150 ASSY RCP 2X8 LG B/7	334721816	B-LIGHT GRAY	GCP	PLR		M	R	-	-	-	-	-	6	-	-	SALEABLE		N/A	N/A	N/A	N/A
MX150 ASSY RCP 2X8 LG B/2	334721817	B-LIGHT GRAY	GCP	PLR		M	R	1	2	3	4	5	6	-	-	SALEABLE		N/A	N/A	N/A	N/A
MX150 ASSY RCP 2X8 BK A/8	334721818	A-BLACK	GCP	PLR		M	R	-	-	-	-	-	-	-	-	SALEABLE		N/A	N/A	N/A	N/A
MX150 ASSY RCP 2X8 CPA BK A/3	334721819	A-BLACK	GCP	PLR	CPA	M	R	-	-	-	4	5	6	7	8	SALEABLE		N/A	N/A	N/A	N/A
MX150 ASSY RCP 2X8 CPA BK A/9	334721820	A-BLACK	GCP	PLR	CPA	M	R	-	-	-	-	-	-	-	8	SALEABLE		N/A	N/A	N/A	N/A
MX150 ASSY RCP 2X8 CPA LG B/11	334721821	B-LIGHT GRAY	GCP	PLR	CPA	M	R	-	-	-	4	5	-	7	-	SALEABLE		N/A	N/A	N/A	N/A
MX150 ASSY RCP 2X8 CPA LG B/10	334721822	B-LIGHT GRAY	GCP	PLR	CPA	M	R	-	-	-	4	5	-	7	-	SALEABLE		N/A	N/A	N/A	N/A
MX150 ASSY RCP 2X8 CPA LG B/9	334721823	B-LIGHT GRAY	GCP	PLR	CPA	M	R	-	-	-	4	5	-	7	8	SALEABLE		N/A	N/A	N/A	N/A
MX150 ASSY RCP 2X8 CPA LG B/8	334721824	B-LIGHT GRAY	GCP	PLR	CPA	M	R	-	-	-	4	5	-	7	8	SALEABLE		N/A	N/A	N/A	N/A
MX150 ASSY RCP 2X8 CPA LG B/6	334721825	B-LIGHT GRAY	GCP	PLR	CPA	M	R	-	2	-	4	5	6	7	8	SALEABLE		N/A	N/A	N/A	N/A
MX150 ASSY RCP 2X8 BK A/5	334721826	A-BLACK	GCP	PLR		M	R	1	2	3	4	5	6	-	-	SALEABLE		N/A	N/A	N/A	N/A
MX150 ASSY RCP 2X8 BK A/2	334721827	A-BLACK	GCP	PLR		M	R	1	2	3	4	5	6	-	-	SALEABLE		N/A	N/A	N/A	N/A

ASSEMBLY DESCRIPTION	ASSEMBLY PART NUMBER	COMPONENT						BLOCKED TERMINALS								STATUS	COMMENT	OPTIONAL ATTACHMENTS SOLD SEPARATELY			
		THE PRESENCE OF AN ABBREVIATION INDICATES THE PRESENCE OF THAT COMPONENT						CAVITY WITH A NUMBER INDICATES BLOCKED TERMINAL POSITION CAVITY WITHOUT A NUMBER INDICATES OPEN TERMINAL POSITION										BACKSHELL WITH RIBS	BACKSHELL WITHOUT RIBS	90° ADAPTOR WITH RIBS	90° ADAPTOR WITHOUT RIBS
		HOUSING KEY/COLOR	GROMMET CAP	PLR	CPA	MAT SEAL	RING SEAL	1	2	3	4	5	6	7	8						
MX150 ASSY RCP 2X8 BK A/10	334721828	A-BLACK	GCP	PLR		M	R	-	-	-	-	-	6	-	-			N/A	N/A	N/A	N/A
MX150 ASSY RCP 2X8 BK A/5	334721829	A-BLACK	GCP	PLR		M	R	1	2	3	4	5	6	-	-			N/A	N/A	N/A	N/A
MX150 ASSY RCP 2X8 BK A/8	334721830	A-BLACK	GCP	PLR		M	R	1	2	3	4	5	6	-	-			N/A	N/A	N/A	N/A
MX150 ASSY RCP 2X8 BK A/7	334721831	A-BLACK	GCP	PLR		M	R	-	-	-	-	-	6	-	-			N/A	N/A	N/A	N/A
MX150 ASSY RCP 2X8 BK A/13	334721832	A-BLACK	GCP	PLR		M	R	9	10	11	12	13	14	15	16			N/A	N/A	N/A	N/A
MX150 ASSY RCP 2X8 BK A/7	334721833	A-BLACK	GCP	PLR		M	R	-	2	-	-	-	-	-	-	8		N/A	N/A	N/A	N/A
MX150 ASSY RCP 2X8 BK A/5	334721834	A-BLACK	GCP	PLR		M	R	1	2	3	4	5	6	7	8			N/A	N/A	N/A	N/A
MX150 ASSY RCP 2X8 BK A/4	334721835	A-BLACK	GCP	PLR		M	R	9	10	-	-	-	-	-	16			N/A	N/A	N/A	N/A
MX150 ASSY RCP 2X8 LG B/8	334721836	B-LIGHT GRAY	GCP	PLR		M	R	1	2	3	4	5	6	-	8			N/A	N/A	N/A	N/A
MX150 ASSY RCP 2X8 BK A/12	334721837	A-BLACK	GCP	PLR		M	R	-	10	-	-	-	-	-	16			N/A	N/A	N/A	N/A
MX150 ASSY RCP 2X8 BK A/14	334721838	A-BLACK	GCP	PLR		M	R	-	-	11	-	-	14	-	-			N/A	N/A	N/A	N/A
MX150 ASSY RCP 2X8 BK A/9	334721839	A-BLACK	GCP	PLR		M	R	1	-	3	-	-	-	-	-			N/A	N/A	N/A	N/A
MX150 ASSY RCP 2X8 BK A/6	334721840	A-BLACK	GCP	PLR		M	R	-	-	11	12	13	-	15	16			N/A	N/A	N/A	N/A
MX150 ASSY RCP 2X8 BK A/10	334721841	A-BLACK	GCP	PLR		M	R	1	2	-	-	5	6	7	8			N/A	N/A	N/A	N/A
MX150 ASSY RCP 2X8 BK A/12	334721842	A-BLACK	GCP	PLR		M	R	-	-	3	4	-	-	-	-			N/A	N/A	N/A	N/A
MX150 ASSY RCP 2X8 BK A/11	334721843	A-BLACK	GCP	PLR		M	R	-	-	11	12	-	-	-	-			N/A	N/A	N/A	N/A
MX150 ASSY RCP 2X8 BK A/6	334721844	A-BLACK	GCP	PLR		M	R	9	-	-	-	13	14	15	16			N/A	N/A	N/A	N/A
MX150 ASSY RCP 2X8 LG B/5	334721845	B-LIGHT GRAY	GCP	PLR		M	R	-	-	3	4	5	6	-	8			N/A	N/A	N/A	N/A
MX150 ASSY RCP 2X8 BK A/12	334721846	A-BLACK	GCP	PLR		M	R	9	10	11	12	13	14	-	-			N/A	N/A	N/A	N/A
MX150 ASSY RCP 2X8 BK A/14	334721847	A-BLACK	GCP	PLR		M	R	-	-	-	-	-	-	-	-			N/A	N/A	N/A	N/A
MX150 ASSY RCP 2X8 BK A/2	334721848	A-BLACK	GCP	PLR		M	R	-	10	-	-	-	-	15	-			N/A	N/A	N/A	N/A
MX150 ASSY RCP 2X8 BK A/11	334721849	A-BLACK	GCP	PLR		M	R	1	2	3	4	5	6	7	8			N/A	N/A	N/A	N/A
MX150 ASSY RCP 2X8 BK A/8	334721850	A-BLACK	GCP	PLR		M	R	9	10	11	12	13	-	15	16			N/A	N/A	N/A	N/A
MX150 ASSY RCP 2X8 BK A/5	334721851	A-BLACK	GCP	PLR		M	R	1	2	3	4	5	6	-	8			N/A	N/A	N/A	N/A
MX150 ASSY RCP 2X8 BK A/3	334721852	A-BLACK	GCP	PLR		M	R	-	10	-	-	-	14	15	16			N/A	N/A	N/A	N/A
MX150 ASSY RCP 2X8 BK A/5	334721853	A-BLACK	GCP	PLR		M	R	1	2	-	-	5	-	7	8			N/A	N/A	N/A	N/A
MX150 ASSY RCP 2X8 BK A/11	334721854	A-BLACK	GCP	PLR		M	R	9	10	11	12	13	14	15	16			N/A	N/A	N/A	N/A



ASSEMBLY DESCRIPTION	ASSEMBLY PART NUMBER	COMPONENT						BLOCKED TERMINALS								STATUS	COMMENT	OPTIONAL ATTACHMENTS SOLD SEPARATELY			
		THE PRESENCE OF AN ABBREVIATION INDICATES THE PRESENCE OF THAT COMPONENT						CAVITY WITH A NUMBER INDICATES BLOCKED TERMINAL POSITION CAVITY WITHOUT A NUMBER INDICATES OPEN TERMINAL POSITION										BACKSHELL WITH RIBS	BACKSHELL WITHOUT RIBS	90° ADAPTOR WITH RIBS	90° ADAPTOR WITHOUT RIBS
		HOUSING KEY/COLOR	GROMMET CAP	PLR	CPA	MAT SEAL	RING SEAL	1	2	3	4	5	6	7	8						
MX150 ASSY RCP 2X8 BK A/7	334721882	A-BLACK	GCP	PLR		M	R	1	-	-	4	5	6	-	8	SALEABLE		N/A	N/A	N/A	N/A
								-	-	-	12	13	14	-	16						
MX150 ASSY RCP 2X8 BK A/3	334721883	A-BLACK	GCP	PLR		M	R	1	2	-	4	5	6	-	8	SALEABLE		N/A	N/A	N/A	N/A
								9	10	-	12	13	14	15	16						
MX150 ASSY RCP 2X8 BK A/7	334721884	A-BLACK	GCP	PLR		M	R	-	-	-	4	5	-	-	8	SALEABLE		N/A	N/A	N/A	N/A
								-	10	11	12	13	14	15	-						
MX150 ASSY RCP 2X8 BK A/8	334721885	A-BLACK	GCP	PLR		M	R	-	-	-	-	-	-	7	8	SALEABLE		N/A	N/A	N/A	N/A
								9	10	11	12	13	14	-	-						
MX150 ASSY RCP 2X8 CPA YW A/16	334721886	A-YELLOW	GCO	PLR	CPA	M	R	-	-	-	-	-	-	-	-	SALEABLE		N/A	N/A	N/A	N/A
								-	-	-	-	-	-	-	-						
MX150 ASSY RCP 2X8 BK A/9	334721887	A-BLACK	GCP	PLR		M	R	1	-	-	4	5	-	-	-	SALEABLE		N/A	N/A	N/A	N/A
								-	-	11	-	13	14	15	-						
MX150 ASSY RCP 2X8 CPA BK A/12	334721888	A-BLACK	GCP	PLR	CPA	M	R	-	-	-	-	-	6	-	-	SALEABLE		N/A	N/A	N/A	N/A
								9	-	-	-	-	-	15	16						
MX150 ASSY RCP 2X8 BK A/14	334721889	A-BLACK	GCP	PLR		M	R	-	-	-	-	-	-	-	-	SALEABLE		N/A	N/A	N/A	N/A
								-	-	-	-	13	14	-	-						
MX150 ASSY RCP 2X8 CPA BK A/14	334721890	A-BLACK	GCP	PLR	CPA	M	R	-	-	-	-	5	-	-	8	SALEABLE		N/A	N/A	N/A	N/A
								-	-	-	-	-	-	-	-						
MX150 ASSY RCP 2X8 CPA BK A/8	334721891	A-BLACK	GCP	PLR	CPA	M	R	-	-	-	-	5	6	7	8	SALEABLE		N/A	N/A	N/A	N/A
								9	10	11	12	-	-	-	-						
MX150 ASSY RCP 2X8 BK A/7	334721894	A-BLACK	GCP	PLR		M	R	-	-	-	-	5	6	7	8	SALEABLE		N/A	N/A	N/A	N/A
								-	-	-	12	13	14	15	16						
MX150 ASSY RCP 2X8 BK A/9	334721895	A-BLACK	GCP	PLR		M	R	1	2	3	-	-	-	-	-	SALEABLE		N/A	N/A	N/A	N/A
								9	10	11	-	13	-	-	-						
MX150 ASSY RCP 2X8 BK A/13	334721896	A-BLACK	GCP	PLR		M	R	1	2	-	-	5	-	-	-	SALEABLE		N/A	N/A	N/A	N/A
								-	-	-	-	-	-	-	-						
MX150 ASSY RCP 2X8 BK A/13	334721897	A-BLACK	GCP	PLR		M	R	-	-	-	-	5	-	-	-	SALEABLE		N/A	N/A	N/A	N/A
								-	-	-	-	13	14	-	-						
MX150 ASSY RCP 2X8 BK A/11	334721898	A-BLACK	GCP	PLR		M	R	1	2	-	-	5	-	-	-	SALEABLE		N/A	N/A	N/A	N/A
								-	-	-	-	13	14	-	-						
MX150 ASSY RCP 2X8 BK A/7	334721899	A-BLACK	GCP	PLR		M	R	-	-	-	-	5	-	7	8	SALEABLE		N/A	N/A	N/A	N/A
								9	10	11	12	13	14	-	-						
MX150 ASSY RCP 2X8 BK A/5	334721900	A-BLACK	GCP	PLR		M	R	1	2	-	-	5	-	7	8	SALEABLE		N/A	N/A	N/A	N/A
								9	10	11	12	13	14	-	-						
MX150 ASSY RCP 2X8 BK A/13	334721901	A-BLACK	GCP	PLR		M	R	-	-	-	-	-	-	-	8	SALEABLE		N/A	N/A	N/A	N/A
								-	10	11	-	-	-	-	-						
MX150 ASSY RCP 2X8 BK A/15	334721902	A-BLACK	GCP	PLR		M	R	-	-	3	-	-	-	-	-	SALEABLE		N/A	N/A	N/A	N/A
								-	-	-	-	-	-	-	-						
MX150 ASSY RCP 2X8 BK A/7	334721903	A-BLACK	GCP	PLR		M	R	-	-	3	-	-	-	7	8	SALEABLE		N/A	N/A	N/A	N/A
								9	10	11	12	13	14	-	-						
MX150 ASSY RCP 2X8 BK A/11	334721904	A-BLACK	GCP	PLR		M	R	-	2	-	-	-	-	-	8	SALEABLE		N/A	N/A	N/A	N/A
								-	10	11	-	-	14	-	-						
MX150 ASSY RCP 2X8 BK A/9	334721905	A-BLACK	GCP	PLR		M	R	1	-	-	-	5	-	-	8	SALEABLE		N/A	N/A	N/A	N/A
								-	10	11	-	13	-	15	-						
MX150 ASSY RCP 2X8 BK A/11	334721906	A-BLACK	GCP	PLR		M	R	-	-	-	-	-	-	-	-	SALEABLE		N/A	N/A	N/A	N/A
								-	10	-	-	13	14	15	16						
MX150 ASSY RCP 2X8 BK A/8	334721907	A-BLACK	GCP	PLR		M	R	1	-	-	4	5	6	-	8	SALEABLE		N/A	N/A	N/A	N/A
								-	-	-	12	13	14	-	-						
MX150 ASSY RCP 2X8 CPA BK A/12	334721908	A-BLACK	GCP	PLR	CPA	M	R	-	-	-	-	-	-	-	-	SALEABLE		N/A	N/A	N/A	N/A
								-	-	11	12	13	14	-	-						
MX150 ASSY RCP 2X8 CPA BK A/10	334721909	A-BLACK	GCP	PLR	CPA	M	R	1	-	3	-	5	6	-	-	SALEABLE		N/A	N/A	N/A	N/A
								-	-	-	12	13	-	-	-						
MX150 ASSY RCP 2X8 CPA BK A/12	334721910	A-BLACK	GCP	PLR	CPA	M	R	-	-	-	-	-	-	7	8	SALEABLE		N/A	N/A	N/A	N/A
								9	-	-	-	-	-	-	16						

ASSEMBLY DESCRIPTION	ASSEMBLY PART NUMBER	COMPONENT						BLOCKED TERMINALS								STATUS	COMMENT	OPTIONAL ATTACHMENTS SOLD SEPARATELY			
		THE PRESENCE OF AN ABBREVIATION INDICATES THE PRESENCE OF THAT COMPONENT						CAVITY WITH A NUMBER INDICATES BLOCKED TERMINAL POSITION CAVITY WITHOUT A NUMBER INDICATES OPEN TERMINAL POSITION										BACKSHELL WITH RIBS	BACKSHELL WITHOUT RIBS	90° ADAPTOR WITH RIBS	90° ADAPTOR WITHOUT RIBS
		HOUSING KEY/COLOR	GROMMET CAP	PLR	CPA	MAT SEAL	RING SEAL	1	2	3	4	5	6	7	8						
MX150 ASSY RCP 2X8 BK A/5	334721911	A-BLACK	GCP	PLR		M	R	-	-	3	-	-	-	7	8	SALEABLE		N/A	N/A	N/A	N/A
MX150 ASSY RCP 2X8 BK A/13	334721912	A-BLACK	GCP	PLR		M	R	-	-	3	-	-	-	-	-	SALEABLE		N/A	N/A	N/A	N/A
MX150 ASSY RCP 2X8 BK A/7	334721913	A-BLACK	GCP	PLR		M	R	-	-	-	-	-	-	7	8	SALEABLE		N/A	N/A	N/A	N/A
MX150 ASSY RCP 2X8 BK A/13	334721914	A-BLACK	GCP	PLR		M	R	-	-	-	-	-	-	-	-	SALEABLE		N/A	N/A	N/A	N/A
MX150 ASSY RCP 2X8 BK A/11	334721916	A-BLACK	GCP	PLR		M	R	1	-	-	-	5	-	-	-	SALEABLE		N/A	N/A	N/A	N/A
MX150 ASSY RCP 2X8 BK A/15	334721917	A-BLACK	GCP	PLR		M	R	-	-	-	-	-	-	-	-	SALEABLE		N/A	N/A	N/A	N/A
MX150 ASSY RCP 2X8 BK A/15	334721918	A-BLACK	GCP	PLR		M	R	-	-	-	-	-	-	-	-	SALEABLE		N/A	N/A	N/A	N/A
MX150 ASSY RCP 2X8 CPA BK A/10	334721919	A-BLACK	GCP	PLR	CPA	M	R	1	2	-	-	5	-	-	8	SALEABLE		N/A	N/A	N/A	N/A
MX150 ASSY RCP 2X8 CPA BK A/4	334721920	A-BLACK	GCP	PLR	CPA	M	R	1	2	-	-	5	6	7	8	SALEABLE		N/A	N/A	N/A	N/A
MX150 ASSY RCP 2X8 BK A/13	334721921	A-BLACK	GCP	PLR		M	R	-	-	3	-	-	-	-	-	SALEABLE		N/A	N/A	N/A	N/A
MX150 ASSY RCP 2X8 BK A/3	334721922	A-BLACK	GCP	PLR		M	R	1	2	3	4	5	6	7	8	SALEABLE		N/A	N/A	N/A	N/A
MX150 ASSY RCP 2X8 BK A/7	334721923	A-BLACK	GCP	PLR		M	R	1	2	-	4	5	-	7	8	SALEABLE		N/A	N/A	N/A	N/A
MX150 ASSY RCP 2X8 BK A/14	334721924	A-BLACK	GCP	PLR		M	R	-	-	-	-	-	-	-	8	SALEABLE		N/A	N/A	N/A	N/A
MX150 ASSY RCP 2X8 BK A/14	334721925	A-BLACK	GCP	PLR		M	R	-	-	3	-	-	6	-	-	SALEABLE		N/A	N/A	N/A	N/A
MX150 ASSY RCP 2X8 BK A/12	334721926	A-BLACK	GCP	PLR		M	R	-	-	3	-	-	6	-	-	SALEABLE		N/A	N/A	N/A	N/A
MX150 ASSY RCP 2X8 BK A/8	334721927	A-BLACK	GCP	PLR		M	R	-	-	3	4	5	6	7	-	SALEABLE		N/A	N/A	N/A	N/A
MX150 ASSY RCP 2X8 BK A/10	334721928	A-BLACK	GCP	PLR		M	R	-	-	-	-	-	6	7	8	SALEABLE		N/A	N/A	N/A	N/A
MX150 ASSY RCP 2X8 BK A/8	334721929	A-BLACK	GCP	PLR		M	R	-	-	-	-	-	6	7	8	SALEABLE		N/A	N/A	N/A	N/A
MX150 ASSY RCP 2X8 BK A/6	334721930	A-BLACK	GCP	PLR		M	R	1	2	3	4	5	-	-	-	SALEABLE		N/A	N/A	N/A	N/A
MX150 ASSY RCP 2X8 BK A/14	334721931	A-BLACK	GCP	PLR		M	R	1	-	-	-	-	-	-	-	SALEABLE		N/A	N/A	N/A	N/A
MX150 ASSY RCP 2X8 BK A/9	334721932	A-BLACK	GCP	PLR		M	R	1	2	-	4	5	6	-	-	SALEABLE		N/A	N/A	N/A	N/A
MX150 ASSY RCP 2X8 BK A/11	334721933	A-BLACK	GCP	PLR		M	R	-	-	-	-	-	-	-	8	SALEABLE		N/A	N/A	N/A	N/A
MX150 ASSY RCP 2X8 BK A/10	334721934	A-BLACK	GCP	PLR		M	R	-	2	-	-	5	-	-	8	SALEABLE		N/A	N/A	N/A	N/A
MX150 ASSY RCP 2X8 BK A/8	334721935	A-BLACK	GCP	PLR		M	R	-	2	-	-	5	-	-	8	SALEABLE		N/A	N/A	N/A	N/A
MX150 ASSY RCP 2X8 CPA BK A/9	334721936	A-BLACK	GCP	PLR	CPA	M	R	-	2	-	4	-	6	-	-	SALEABLE		N/A	N/A	N/A	N/A
MX150 ASSY RCP 2X8 CPA LG B/9	334721937	B-LIGHT GRAY	GCP	PLR	CPA	M	R	-	2	-	4	-	6	-	-	SALEABLE		N/A	N/A	N/A	N/A
MX150 ASSY RCP 2X8 CPA BK A/11	334721938	A-BLACK	GCP	PLR	CPA	M	R	-	-	-	-	5	6	7	-	SALEABLE		N/A	N/A	N/A	N/A





ASSEMBLY DESCRIPTION	ASSEMBLY PART NUMBER	COMPONENT						BLOCKED TERMINALS								STATUS	COMMENT	OPTIONAL ATTACHMENTS SOLD SEPARATELY			
		THE PRESENCE OF AN ABBREVIATION INDICATES THE PRESENCE OF THAT COMPONENT						CAVITY WITH A NUMBER INDICATES BLOCKED TERMINAL POSITION CAVITY WITHOUT A NUMBER INDICATES OPEN TERMINAL POSITION										BACKSHELL WITH RIBS	BACKSHELL WITHOUT RIBS	90° ADAPTOR WITH RIBS	90° ADAPTOR WITHOUT RIBS
		HOUSING KEY/COLOR	GROMMET CAP	PLR	CPA	MAT SEAL	RING SEAL														
MX150 ASSY RCP 2X8 CPA BK A/11	334721966	A-BLACK	GCP	PLR	CPA	M	R	-	-	-	-	-	6	7	8	SALEABLE		N/A	N/A	N/A	N/A
								-	10	11	-	-	-	-	-						
MX150 ASSY RCP 2X8 CPA BK A/13	334721967	A-BLACK	GCP	PLR	CPA	M	R	-	-	-	-	-	6	7	8	SALEABLE		N/A	N/A	N/A	N/A
								-	-	-	-	-	-	-	-						
MX150 ASSY RCP 2X8 BK A/8	334721968	A-BLACK	GCP	PLR		M	R	1	2	-	-	-	-	-	8	SALEABLE		N/A	N/A	N/A	N/A
								9	-	11	-	13	-	15	16						
MX150 ASSY RCP 2X8 CPA BK A/11	334721969	A-BLACK	GCP	PLR	CPA	M	R	-	-	-	-	-	-	-	-	SALEABLE		N/A	N/A	N/A	N/A
								-	-	11	12	13	14	15	-						
MX150 ASSY RCP 2X8 BK A/9	334721970	A-BLACK	GCP	PLR		M	R	-	-	-	4	5	-	-	8	SALEABLE		N/A	N/A	N/A	N/A
								-	-	-	-	13	14	15	16						
MX150 ASSY RCP 2X8 BK A/8	334721971	A-BLACK	GCP	PLR		M	R	1	2	3	4	5	6	7	8	SALEABLE		N/A	N/A	N/A	N/A
								-	-	-	-	-	-	-	-						
MX150 ASSY RCP 2X8 BK A/10	334721972	A-BLACK	GCP	PLR		M	R	-	2	-	-	-	-	-	8	SALEABLE		N/A	N/A	N/A	N/A
								-	10	11	-	-	-	15	16						
MX150 ASSY RCP 2X8 BK A/4	334721973	A-BLACK	GCP	PLR		M	R	1	2	3	4	5	6	7	8	SALEABLE		N/A	N/A	N/A	N/A
								9	-	-	12	13	14	-	-						
MX150 ASSY RCP 2X8 BK A/10	334721974	A-BLACK	GCP	PLR		M	R	-	2	-	-	-	-	-	8	SALEABLE		N/A	N/A	N/A	N/A
								9	-	-	12	13	14	-	-						
MX150 ASSY RCP 2X8 BK A/12	334721975	A-BLACK	GCP	PLR		M	R	-	-	-	-	-	-	-	-	SALEABLE		N/A	N/A	N/A	N/A
								9	-	-	12	13	14	-	-						
MX150 ASSY RCP 2X8 BK A/6	334721976	A-BLACK	GCP	PLR		M	R	-	2	-	-	-	-	-	8	SALEABLE		N/A	N/A	N/A	N/A
								9	10	11	12	13	14	15	16						
MX150 ASSY RCP 2X8 BK A/15	334721977	A-BLACK	GCP	PLR		M	R	-	-	-	-	-	-	-	-	SALEABLE		N/A	N/A	N/A	N/A
								9	-	-	-	-	-	-	-						
MX150 ASSY RCP 2X8 BK A/15	334721978	A-BLACK	GCP	PLR		M	R	-	-	-	-	-	-	-	-	SALEABLE		N/A	N/A	N/A	N/A
								-	-	-	-	-	-	15	-						
MX150 ASSY RCP 2X8 BK A/13	334721979	A-BLACK	GCP	PLR		M	R	-	-	-	-	-	-	-	-	SALEABLE		N/A	N/A	N/A	N/A
								-	-	11	12	-	-	15	-						
MX150 ASSY RCP 2X8 BK A/5	334721980	A-BLACK	GCP	PLR		M	R	1	-	-	4	-	6	7	8	SALEABLE		N/A	N/A	N/A	N/A
								-	10	11	12	13	14	15	-						
MX150 ASSY RCP 2X8 BK A/12	334721981	A-BLACK	GCP	PLR		M	R	-	-	3	4	5	-	-	-	SALEABLE		N/A	N/A	N/A	N/A
								-	10	-	-	-	-	-	-						
MX150 ASSY RCP 2X8 BK A/13	334721982	A-BLACK	GCP	PLR		M	R	-	-	-	-	-	-	-	-	SALEABLE		N/A	N/A	N/A	N/A
								-	10	11	-	-	-	15	-						
MX150 ASSY RCP 2X8 BK A/11	334721983	A-BLACK	GCP	PLR		M	R	1	-	-	-	-	-	-	8	SALEABLE		N/A	N/A	N/A	N/A
								-	10	11	-	-	-	15	-						
MX150 ASSY RCP 2X8 BK A/5	334721984	A-BLACK	GCP	PLR		M	R	1	2	3	4	5	6	7	8	SALEABLE		N/A	N/A	N/A	N/A
								-	10	11	-	-	-	15	-						
MX150 ASSY RCP 2X8 BK A/9	334721985	A-BLACK	GCP	PLR		M	R	1	-	-	-	-	-	-	8	SALEABLE		N/A	N/A	N/A	N/A
								9	10	11	-	-	-	15	16						
MX150 ASSY RCP 2X8 BK A/11	334721986	A-BLACK	GCP	PLR		M	R	-	-	-	-	-	-	-	-	SALEABLE		N/A	N/A	N/A	N/A
								9	10	11	-	-	-	15	16						
MX150 ASSY RCP 2X8 BK A/4	334721987	A-BLACK	GCP	PLR		M	R	1	2	3	-	5	6	7	-	SALEABLE		N/A	N/A	N/A	N/A
								9	-	11	-	13	14	15	16						
MX150 ASSY RCP 2X8 BK A/6	334721988	A-BLACK	GCP	PLR		M	R	-	2	-	-	-	6	7	-	SALEABLE		N/A	N/A	N/A	N/A
								9	10	11	-	13	14	15	16						
MX150 ASSY RCP 2X8 BK A/14	334721989	A-BLACK	GCP	PLR		M	R	-	-	-	-	-	-	-	-	SALEABLE		N/A	N/A	N/A	N/A
								-	-	-	-	13	-	-	16						
MX150 ASSY RCP 2X8 BK A/12	334721990	A-BLACK	GCP	PLR		M	R	-	-	-	-	-	-	-	-	SALEABLE		N/A	N/A	N/A	N/A
								-	-	11	12	13	-	-	16						
MX150 ASSY RCP 2X8 BK A/15	334721991	A-BLACK	GCP	PLR		M	R	1	-	-	-	-	-	-	-	SALEABLE		N/A	N/A	N/A	N/A
								-	-	-	-	-	-	-	-						
MX150 ASSY RCP 2X8 BK A/11	334721992	A-BLACK	GCP	PLR		M	R	-	-	-	-	-	6	-	-	SALEABLE		N/A	N/A	N/A	N/A
								-	-	11	12	13	14	-	-						

ASSEMBLY DESCRIPTION	ASSEMBLY PART NUMBER	COMPONENT						BLOCKED TERMINALS								STATUS	COMMENT	OPTIONAL ATTACHMENTS SOLD SEPARATELY												
		THE PRESENCE OF AN ABBREVIATION INDICATES THE PRESENCE OF THAT COMPONENT						CAVITY WITH A NUMBER INDICATES BLOCKED TERMINAL POSITION CAVITY WITHOUT A NUMBER INDICATES OPEN TERMINAL POSITION										BACKSHELL WITH RIBS	BACKSHELL WITHOUT RIBS	90° ADAPTOR WITH RIBS	90° ADAPTOR WITHOUT RIBS									
		HOUSING KEY/COLOR	GROMMET CAP	PLR	CPA	MAT SEAL	RING SEAL	1	2	3	4	5	6	7	8							9	10	11	12	13	14	15	16	
MX150 ASSY RCP 2X8 BK A/9	334721993	A-BLACK	GCP	PLR		M	R	-	-	3	4	5	6	7	-	9	-	-	-	-	-	-	16	SALEABLE		N/A	N/A	N/A	N/A	
MX150 ASSY RCP 2X8 BK A/6	334721994	A-BLACK	GCP	PLR		M	R	-	2	-	4	5	6	-	-	9	10	-	12	13	14	-	16	SALEABLE		N/A	N/A	N/A	N/A	
MX150 ASSY RCP 2X8 BK A/5	334721995	A-BLACK	GCP	PLR		M	R	-	2	-	4	5	6	7	-	9	10	-	12	13	14	-	16	SALEABLE		N/A	N/A	N/A	N/A	
MX150 ASSY RCP 2X8 BK A/6	334721996	A-BLACK	GCP	PLR		M	R	1	2	-	-	-	6	7	8	9	10	-	-	-	14	15	16	SALEABLE		N/A	N/A	N/A	N/A	
MX150 ASSY RCP 2X8 BK A/8	334721997	A-BLACK	GCP	PLR		M	R	1	2	-	-	-	-	7	8	9	10	-	-	-	-	15	16	SALEABLE		N/A	N/A	N/A	N/A	
MX150 ASSY RCP 2X8 BK A/4	334721998	A-BLACK	GCP	PLR		M	R	-	-	3	4	5	6	7	8	-	-	11	12	13	14	15	16	SALEABLE		N/A	N/A	N/A	N/A	
MX150 ASSY RCP 2X8 BK A/12	334721999	A-BLACK	GCP	PLR		M	R	-	-	-	-	-	-	7	8	-	-	-	-	-	-	15	16	SALEABLE		N/A	N/A	N/A	N/A	
MX150 ASSY RCP 2X8 CS BK A/16	334723001	A-BLACK-CLIP	GCO	PLR		M	R	-	-	-	-	-	-	-	-	-	-	-	-	-	-	-	-	SALEABLE		34951-1611	34951-1621	34951-1631	34951-1641	
MX150 ASSY RCP 2X8 CS LG B/16	334723002	B-LIGHT GRAY-CLIP	GCO	PLR		M	R	-	-	-	-	-	-	-	-	-	-	-	-	-	-	-	-	SALEABLE		34951-1611	34951-1621	34951-1631	34951-1641	
MX150 ASSY RCP 2X8 CS DG C/16	334723003	C-DARK GRAY-CLIP	GCO	PLR		M	R	-	-	-	-	-	-	-	-	-	-	-	-	-	-	-	-	SALEABLE		34951-1611	34951-1621	34951-1631	34951-1641	
MX150 ASSY RCP 2X8 CS SG D/16	334723004	D-STONE GRAY-CLIP	GCO	PLR		M	R	-	-	-	-	-	-	-	-	-	-	-	-	-	-	-	-	SALEABLE		34951-1611	34951-1621	34951-1631	34951-1641	
MX150 ASSY RCP 2X8 CS CPA BK A/16	334723005	A-BLACK-CLIP	GCO	PLR	CPA	M	R	-	-	-	-	-	-	-	-	-	-	-	-	-	-	-	-	SALEABLE		34951-1611	34951-1621	34951-1631	34951-1641	
MX150 ASSY RCP 2X8 CS CPA LG B/16	334723006	B-LIGHT GRAY-CLIP	GCO	PLR	CPA	M	R	-	-	-	-	-	-	-	-	-	-	-	-	-	-	-	-	SALEABLE		34951-1611	34951-1621	34951-1631	34951-1641	
MX150 ASSY RCP 2X8 CS CPA DG C/16	334723007	C-DARK GRAY-CLIP	GCO	PLR	CPA	M	R	-	-	-	-	-	-	-	-	-	-	-	-	-	-	-	-	SALEABLE		34951-1611	34951-1621	34951-1631	34951-1641	
MX150 ASSY RCP 2X8 CS CPA SG D/16	334723008	D-STONE GRAY-CLIP	GCO	PLR	CPA	M	R	-	-	-	-	-	-	-	-	-	-	-	-	-	-	-	-	SALEABLE		34951-1611	34951-1621	34951-1631	34951-1641	
MX150 ASSY RCP 2X8 CS BK A/13	334723009	A-BLACK-CLIP	GCP	PLR		M	R	-	-	-	-	-	-	-	-	-	-	-	-	-	-	-	-	SALEABLE		34951-1611	34951-1621	34951-1631	34951-1641	
MX150 ASSY RCP 2X8 CS BK A/9	334723010	A-BLACK-CLIP	GCP	PLR		M	R	-	-	3	4	-	-	7	8	9	-	-	-	-	-	14	15	16	SALEABLE		34951-1611	34951-1621	34951-1631	34951-1641
MX150 ASSY RCP 2X8 CS CPA BK A/11	334723011	A-BLACK-CLIP	GCP	PLR	CPA	M	R	-	-	3	4	-	-	-	-	-	-	-	-	-	-	14	15	16	SALEABLE		34951-1611	34951-1621	34951-1631	34951-1641
MX150 ASSY RCP 2X8 CS BK A/10	334723012	A-BLACK-CLIP	GCP	PLR		M	R	1	-	-	-	5	-	-	8	9	10	-	-	-	-	-	-	SALEABLE		34951-1611	34951-1621	34951-1631	34951-1641	
MX150 ASSY RCP 2X8 CPA BK A/3	334728001	A-BLACK	GCP	PLR	CPA	M	R	1	2	3	4	5	6	-	-	-	10	11	12	13	14	15	16	SALEABLE		N/A	N/A	N/A	N/A	
MX150 ASSY RCP 2X8 CPA BK A/11	334728002	A-BLACK	GCP	PLR	CPA	M	R	-	-	-	-	-	-	-	-	-	-	-	-	-	-	-	-	SALEABLE		N/A	N/A	N/A	N/A	
MX150 ASSY RCP 2X8 CPA BK A/8	334728003	A-BLACK	GCP	PLR	CPA	M	R	1	2	3	4	5	6	-	-	-	10	-	-	-	-	-	-	SALEABLE		N/A	N/A	N/A	N/A	
MX150 ASSY RCP 2X8 BK A/10	334728004	A-BLACK	GCP	PLR		M	R	-	2	-	-	5	-	7	-	9	-	11	-	-	-	-	16	SALEABLE		N/A	N/A	N/A	N/A	
MX150 ASSY RCP 2X8 BK A/6	334728005	A-BLACK	GCP	PLR		M	R	1	2	3	4	5	6	7	8	-	-	11	-	-	-	-	16	SALEABLE		N/A	N/A	N/A	N/A	
MX150 ASSY RCP 2X8 BK A/9	334728006	A-BLACK	GCP	PLR		M	R	1	-	-	4	5	6	7	8	-	-	11	-	-	-	-	-	SALEABLE		N/A	N/A	N/A	N/A	
MX150 ASSY RCP 2X8 BK A/11	334728007	A-BLACK	GCP	PLR		M	R	1	-	-	4	5	6	7	-	-	-	-	-	-	-	-	-	SALEABLE		N/A	N/A	N/A	N/A	
MX150 ASSY RCP 2X8 CPA BK A/8	334728008	A-BLACK	GCP	PLR	CPA	M	R	1	2	3	4	5	6	-	-	-	-	-	-	-	-	-	-	SALEABLE		N/A	N/A	N/A	N/A	

ASSEMBLY DESCRIPTION	ASSEMBLY PART NUMBER	COMPONENT						BLOCKED TERMINALS								STATUS	COMMENT	OPTIONAL ATTACHMENTS SOLD SEPARATELY			
		THE PRESENCE OF AN ABBREVIATION INDICATES THE PRESENCE OF THAT COMPONENT						CAVITY WITH A NUMBER INDICATES BLOCKED TERMINAL POSITION CAVITY WITHOUT A NUMBER INDICATES OPEN TERMINAL POSITION										BACKSHELL WITH RIBS	BACKSHELL WITHOUT RIBS	90° ADAPTOR WITH RIBS	90° ADAPTOR WITHOUT RIBS
		HOUSING KEY/COLOR	GROMMET CAP	PLR	CPA	MAT SEAL	RING SEAL														
MX150 ASSY RCP 2X8 CPA BK A/11	334728009	A-BLACK	GCP	PLR	CPA	M	R	-	-	-	-	-	-	7	8	SALEABLE		N/A	N/A	N/A	N/A
								-	-	-	-	-	14	15	16						
MX150 ASSY RCP 2X8 CPA BK A/3	334728010	A-BLACK	GCP	PLR	CPA	M	R	1	2	3	4	5	6	7	8	SALEABLE		N/A	N/A	N/A	N/A
								-	-	-	12	13	14	15	16						
MX150 ASSY RCP 2X8 CPA BK A/13	334728011	A-BLACK	GCP	PLR	CPA	M	R	-	-	-	4	-	-	-	-	SALEABLE		N/A	N/A	N/A	N/A
								9	-	-	12	-	-	-	-						
MX150 ASSY RCP 2X8 CPA BK A/12	334728012	A-BLACK	GCP	PLR	CPA	M	R	-	-	-	4	-	-	-	-	SALEABLE		N/A	N/A	N/A	N/A
								9	10	-	12	-	-	-	-						
MX150 ASSY RCP 2X8 CPA BK A/8	334728013	A-BLACK	GCP	PLR	CPA	M	R	1	2	-	4	-	6	7	8	SALEABLE		N/A	N/A	N/A	N/A
								9	-	-	12	-	-	-	-						
MX150 ASSY RCP 2X8 CPA BK A/10	334728014	A-BLACK	GCP	PLR	CPA	M	R	-	-	3	4	-	-	-	-	SALEABLE		N/A	N/A	N/A	N/A
								9	10	-	-	13	14	-	-						
MX150 ASSY RCP 2X8 BK A/13	334728015	A-BLACK	GCP	PLR		M	R	1	-	-	-	-	-	-	8	SALEABLE		N/A	N/A	N/A	N/A
								-	-	11	-	-	-	-	-						
MX150 ASSY RCP 2X8 BK A/11	334728016	A-BLACK	GCP	PLR		M	R	-	-	-	-	-	-	-	-	SALEABLE		N/A	N/A	N/A	N/A
								-	10	11	12	13	-	-	16						
MX150 ASSY RCP 2X8 BK A/5	334728017	A-BLACK	GCP	PLR		M	R	1	2	-	4	5	6	7	8	SALEABLE		N/A	N/A	N/A	N/A
								-	10	-	-	-	14	15	16						
MX150 ASSY RCP 2X8 BK A/10	334728018	A-BLACK	GCP	PLR		M	R	1	-	-	-	5	6	-	-	SALEABLE		N/A	N/A	N/A	N/A
								-	10	-	-	13	14	-	-						
MX150 ASSY RCP 2X8 BK A/7	334728019	A-BLACK	GCP	PLR		M	R	-	-	-	4	5	-	7	8	SALEABLE		N/A	N/A	N/A	N/A
								-	-	11	12	13	14	15	-						
MX150 ASSY RCP 2X8 BK A/10	334728020	A-BLACK	GCP	PLR		M	R	-	-	-	-	-	-	7	8	SALEABLE		N/A	N/A	N/A	N/A
								9	-	-	-	-	14	15	16						
MX150 ASSY RCP 2X8 CPA BK A/15	334728021	A-BLACK	GCP	PLR	CPA	M	R	-	-	-	-	-	-	-	-	SALEABLE		N/A	N/A	N/A	N/A
								-	-	-	-	-	-	-	16						
MX150 ASSY RCP 2X8 CPA BK A/9	334728022	A-BLACK	GCP	PLR	CPA	M	R	-	-	-	-	-	-	-	-	SALEABLE		N/A	N/A	N/A	N/A
								-	10	11	12	13	14	15	16						
MX150 ASSY RCP 2X8 CPA BK A/11	334728023	A-BLACK	GCP	PLR	CPA	M	R	-	-	-	-	-	-	-	-	SALEABLE		N/A	N/A	N/A	N/A
								-	10	11	12	13	-	-	16						
MX150 ASSY RCP 2X8 CPA BK A/6	334728025	A-BLACK	GCP	PLR	CPA	M	R	-	-	-	-	-	-	7	8	SALEABLE		N/A	N/A	N/A	N/A
								9	10	11	12	13	14	15	16						
MX150 ASSY RCP 2X8 CPA BK A/10	334728026	A-BLACK	GCP	PLR	CPA	M	R	-	-	-	-	-	-	-	-	SALEABLE		N/A	N/A	N/A	N/A
								-	-	11	12	13	14	15	16						
MX150 ASSY RCP 2X8 CPA BK A/12	334728027	A-BLACK	GCP	PLR	CPA	M	R	-	-	-	-	-	-	-	-	SALEABLE		N/A	N/A	N/A	N/A
								-	-	-	-	13	14	15	16						
MX150 ASSY RCP 2X8 CPA BK A/4	334728028	A-BLACK	GCP	PLR	CPA	M	R	1	2	3	4	5	6	-	-	SALEABLE		N/A	N/A	N/A	N/A
								-	-	11	12	13	14	15	16						
MX150 ASSY RCP 2X8 BK A/8	334728029	A-BLACK	GCP	PLR		M	R	1	2	-	4	-	6	7	8	SALEABLE		N/A	N/A	N/A	N/A
								-	-	11	12	-	-	-	-						
MX150 ASSY RCP 2X8 BK A/9	334728030	A-BLACK	GCP	PLR		M	R	-	2	-	4	-	6	7	8	SALEABLE		N/A	N/A	N/A	N/A
								-	-	-	12	-	-	-	16						
MX150 ASSY RCP 2X8 BK A/8	334728031	A-BLACK	GCP	PLR		M	R	-	-	3	-	-	-	-	8	SALEABLE		N/A	N/A	N/A	N/A
								-	-	11	12	13	14	15	16						
MX150 ASSY RCP 2X8 BK A/2	334728032	A-BLACK	GCP	PLR		M	R	1	2	3	4	5	6	7	8	SALEABLE		N/A	N/A	N/A	N/A
								-	10	11	12	13	14	15	-						
MX150 ASSY RCP 2X8 CPA BK A/8	334728033	A-BLACK	GCP	PLR	CPA	M	R	-	-	-	-	-	-	7	8	SALEABLE		N/A	N/A	N/A	N/A
								9	10	-	-	13	14	15	16						
MX150 ASSY RCP 2X8 BK A/3	334728034	A-BLACK	GCP	PLR		M	R	1	2	3	4	5	6	7	8	SALEABLE		N/A	N/A	N/A	N/A
								9	10	11	-	-	-	15	16						
MX150 ASSY RCP 2X8 BK A/10	334728035	A-BLACK	GCP	PLR		M	R	-	-	3	-	5	-	-	8	SALEABLE		N/A	N/A	N/A	N/A
								-	10	11	-	-	14	-	-						
MX150 ASSY RCP 2X8 BK A/12	334728036	A-BLACK	GCP	PLR		M	R	-	-	-	-	-	-	-	-	SALEABLE		N/A	N/A	N/A	N/A
								-	10	11	-	13	-	-	16						

ASSEMBLY DESCRIPTION	ASSEMBLY PART NUMBER	COMPONENT						BLOCKED TERMINALS								STATUS	COMMENT	OPTIONAL ATTACHMENTS SOLD SEPARATELY			
		THE PRESENCE OF AN ABBREVIATION INDICATES THE PRESENCE OF THAT COMPONENT						CAVITY WITH A NUMBER INDICATES BLOCKED TERMINAL POSITION CAVITY WITHOUT A NUMBER INDICATES OPEN TERMINAL POSITION										BACKSHELL WITH RIBS	BACKSHELL WITHOUT RIBS	90° ADAPTOR WITH RIBS	90° ADAPTOR WITHOUT RIBS
		HOUSING KEY/COLOR	GROMMET CAP	PLR	CPA	MAT SEAL	RING SEAL														
MX150 ASSY RCP 2X8 CPA BK A/14	334728037	A-BLACK	GCP	PLR	CPA	M	R	-	-	-	-	-	-	7	-	SALEABLE		N/A	N/A	N/A	N/A
MX150 ASSY RCP 2X8 BK A/7	334728038	A-BLACK	GCP	PLR		M	R	-	2	-	-	-	-	7	-	SALEABLE		N/A	N/A	N/A	N/A
MX150 ASSY RCP 2X8 BK A/5	334728039	A-BLACK	GCP	PLR		M	R	1	2	-	-	-	-	7	8	SALEABLE		N/A	N/A	N/A	N/A
MX150 ASSY RCP 2X8 BK A/9	334728040	A-BLACK	GCP	PLR		M	R	9	10	11	12	13	14	-	16	SALEABLE		N/A	N/A	N/A	N/A
MX150 ASSY RCP 2X8 LG B/11	334728041	B-LIGHT GRAY	GCP	PLR		M	R	-	2	-	-	-	-	7	8	SALEABLE		N/A	N/A	N/A	N/A
MX150 ASSY RCP 2X8 BK A/7	334728042	A-BLACK	GCP	PLR		M	R	-	-	-	-	5	-	-	-	SALEABLE		N/A	N/A	N/A	N/A
MX150 ASSY RCP 2X8 BK A/10	334728043	A-BLACK	GCP	PLR		M	R	-	-	-	-	-	-	-	-	SALEABLE		N/A	N/A	N/A	N/A
MX150 ASSY RCP 2X8 BK A/9	334728044	A-BLACK	GCP	PLR		M	R	9	10	-	-	13	14	15	-	SALEABLE		N/A	N/A	N/A	N/A
MX150 ASSY RCP 2X8 BK A/4	334728045	A-BLACK	GCP	PLR		M	R	1	2	3	4	5	6	7	-	SALEABLE		N/A	N/A	N/A	N/A
MX150 ASSY RCP 2X8 BK A/8	334728046	A-BLACK	GCP	PLR		M	R	9	-	-	12	13	-	-	16	SALEABLE		N/A	N/A	N/A	N/A
MX150 ASSY RCP 2X8 BK A/11	334728047	A-BLACK	GCP	PLR		M	R	-	2	-	-	5	-	-	-	SALEABLE		N/A	N/A	N/A	N/A
MX150 ASSY RCP 2X8 BK A/11	334728048	A-BLACK	GCP	PLR		M	R	9	-	-	-	-	-	-	16	SALEABLE		N/A	N/A	N/A	N/A
MX150 ASSY RCP 2X8 BK A/14	334728049	A-BLACK	GCP	PLR		M	R	-	-	-	4	-	-	-	-	SALEABLE		N/A	N/A	N/A	N/A
MX150 ASSY RCP 2X8 BK A/13	334728050	A-BLACK	GCP	PLR		M	R	-	-	-	4	-	-	-	-	SALEABLE		N/A	N/A	N/A	N/A
MX150 ASSY RCP 2X8 BK A/9	334728051	A-BLACK	GCP	PLR		M	R	9	-	-	-	-	-	7	-	SALEABLE		N/A	N/A	N/A	N/A
MX150 ASSY RCP 2X8 BK A/10	334728052	A-BLACK	GCP	PLR		M	R	9	10	-	-	13	-	15	16	SALEABLE		N/A	N/A	N/A	N/A
MX150 ASSY RCP 2X8 BK A/8	334728053	A-BLACK	GCP	PLR		M	R	-	-	-	-	-	-	7	-	SALEABLE		N/A	N/A	N/A	N/A
MX150 ASSY RCP 2X8 CPA BK A/8	334728054	A-BLACK	GCP	PLR	CPA	M	R	9	-	11	12	-	14	15	16	SALEABLE		N/A	N/A	N/A	N/A
MX150 ASSY RCP 2X8 CPA BK A/14	334728055	A-BLACK	GCP	PLR	CPA	M	R	1	2	-	-	-	-	-	-	SALEABLE		N/A	N/A	N/A	N/A
MX150 ASSY RCP 2X8 CPA LG B/11	334728056	B-LIGHT GRAY	GCP	PLR	CPA	M	R	-	-	-	-	-	-	7	8	SALEABLE		N/A	N/A	N/A	N/A
MX150 ASSY RCP 2X8 CPA BK A/14	334728057	A-BLACK	GCP	PLR	CPA	M	R	-	-	-	4	-	-	-	-	SALEABLE		N/A	N/A	N/A	N/A
MX150 ASSY RCP 2X8 BK A/6	334728058	A-BLACK	GCP	PLR		M	R	1	2	3	-	-	6	7	8	SALEABLE		N/A	N/A	N/A	N/A
MX150 ASSY RCP 2X8 BK A/9	334728059	A-BLACK	GCP	PLR		M	R	-	10	11	-	-	14	-	16	SALEABLE		N/A	N/A	N/A	N/A
MX150 ASSY RCP 2X8 BK A/11	334728060	A-BLACK	GCP	PLR		M	R	-	2	3	-	-	6	7	-	SALEABLE		N/A	N/A	N/A	N/A
MX150 ASSY RCP 2X8 BK A/9	334728061	A-BLACK	GCP	PLR		M	R	-	10	-	-	-	14	-	-	SALEABLE		N/A	N/A	N/A	N/A
MX150 ASSY RCP 2X8 BK A/12	334728062	A-BLACK	GCP	PLR		M	R	1	2	-	-	-	6	7	-	SALEABLE		N/A	N/A	N/A	N/A
MX150 ASSY RCP 2X8 BK A/12	334728063	A-BLACK	GCP	PLR		M	R	-	-	-	-	-	-	8	-	SALEABLE		N/A	N/A	N/A	N/A
MX150 ASSY RCP 2X8 BK A/12	334728063	A-BLACK	GCP	PLR		M	R	9	-	-	-	-	-	15	16	SALEABLE		N/A	N/A	N/A	N/A



ASSEMBLY DESCRIPTION	ASSEMBLY PART NUMBER	COMPONENT						BLOCKED TERMINALS								STATUS	COMMENT	OPTIONAL ATTACHMENTS SOLD SEPARATELY			
		THE PRESENCE OF AN ABBREVIATION INDICATES THE PRESENCE OF THAT COMPONENT						CAVITY WITH A NUMBER INDICATES BLOCKED TERMINAL POSITION CAVITY WITHOUT A NUMBER INDICATES OPEN TERMINAL POSITION										BACKSHELL WITH RIBS	BACKSHELL WITHOUT RIBS	90° ADAPTOR WITH RIBS	90° ADAPTOR WITHOUT RIBS
		HOUSING KEY/COLOR	GROMMET CAP	PLR	CPA	MAT SEAL	RING SEAL	1	2	3	4	5	6	7	8						
MX150 ASSY RCP 2X8 BK A/8	334728064	A-BLACK	GCP	PLR		M	R	-	-	-	4	-	-	-	8	SALEABLE		N/A	N/A	N/A	N/A
MX150 ASSY RCP 2X8 BK A/10	334728065	A-BLACK	GCP	PLR		M	R	-	-	-	4	-	-	-	8	SALEABLE		N/A	N/A	N/A	N/A
MX150 ASSY RCP 2X8 BK A/9	334728066	A-BLACK	GCP	PLR		M	R	-	-	-	4	-	6	-	8	SALEABLE		N/A	N/A	N/A	N/A
MX150 ASSY RCP 2X8 BK A/12	334728067	A-BLACK	GCP	PLR		M	R	-	-	-	-	-	-	-	8	SALEABLE		N/A	N/A	N/A	N/A
MX150 ASSY RCP 2X8 BK A/10	334728068	A-BLACK	GCP	PLR		M	R	-	-	-	-	5	-	-	8	SALEABLE		N/A	N/A	N/A	N/A
MX150 ASSY RCP 2X8 BK A/11	334728069	A-BLACK	GCP	PLR		M	R	-	-	3	-	-	6	-	-	SALEABLE		N/A	N/A	N/A	N/A
MX150 ASSY RCP 2X8 BK A/13	334728070	A-BLACK	GCP	PLR		M	R	-	-	3	-	-	-	-	-	SALEABLE		N/A	N/A	N/A	N/A
MX150 ASSY RCP 2X8 BK A/14	334728071	A-BLACK	GCP	PLR		M	R	-	-	-	-	-	-	-	-	SALEABLE		N/A	N/A	N/A	N/A
MX150 ASSY RCP 2X8 BK A/15	334728072	A-BLACK	GCP	PLR		M	R	-	-	-	4	-	-	-	-	SALEABLE		N/A	N/A	N/A	N/A
MX150 ASSY RCP 2X8 BK A/14	334728073	A-BLACK	GCP	PLR		M	R	-	-	3	-	-	-	-	-	SALEABLE		N/A	N/A	N/A	N/A
MX150 ASSY RCP 2X8 BK A/15	334728074	A-BLACK	GCP	PLR		M	R	-	-	-	-	-	-	-	-	SALEABLE		N/A	N/A	N/A	N/A
MX150 ASSY RCP 2X8 BK A/14	334728075	A-BLACK	GCP	PLR		M	R	-	-	-	-	-	-	-	-	SALEABLE		N/A	N/A	N/A	N/A
MX150 ASSY RCP 2X8 BK A/9	334728076	A-BLACK	GCP	PLR		M	R	-	-	-	-	-	-	7	-	SALEABLE		N/A	N/A	N/A	N/A
MX150 ASSY RCP 2X8 BK A/8	334728077	A-BLACK	GCP	PLR		M	R	-	-	3	-	-	-	-	-	SALEABLE		N/A	N/A	N/A	N/A
MX150 ASSY RCP 2X8 BK A/10	334728078	A-BLACK	GCP	PLR		M	R	-	-	-	-	-	-	-	-	SALEABLE		N/A	N/A	N/A	N/A
MX150 ASSY RCP 2X8 BK A/8	334728079	A-BLACK	GCP	PLR		M	R	1	-	-	-	-	-	-	8	SALEABLE		N/A	N/A	N/A	N/A
MX150 ASSY RCP 2X8 BK A/2	334728080	A-BLACK	GCP	PLR		M	R	1	2	3	4	5	6	7	8	SALEABLE		N/A	N/A	N/A	N/A
MX150 ASSY RCP 2X8 BK A/6	334728081	A-BLACK	GCP	PLR		M	R	1	-	-	-	-	6	7	-	SALEABLE		N/A	N/A	N/A	N/A
MX150 ASSY RCP 2X8 BK A/7	334728082	A-BLACK	GCP	PLR		M	R	1	-	-	-	-	6	7	-	SALEABLE		N/A	N/A	N/A	N/A
MX150 ASSY RCP 2X8 BK A/6	334728083	A-BLACK	GCP	PLR		M	R	-	-	3	-	-	6	-	-	SALEABLE		N/A	N/A	N/A	N/A
MX150 ASSY RCP 2X8 BK A/7	334728084	A-BLACK	GCP	PLR		M	R	-	2	-	-	5	-	-	-	SALEABLE		N/A	N/A	N/A	N/A
MX150 ASSY RCP 2X8 BK A/4	334728085	A-BLACK	GCP	PLR		M	R	-	2	3	-	5	6	-	-	SALEABLE		N/A	N/A	N/A	N/A
MX150 ASSY RCP 2X8 BK A/10	334728086	A-BLACK	GCP	PLR		M	R	1	-	-	-	-	-	-	-	SALEABLE		N/A	N/A	N/A	N/A
MX150 ASSY RCP 2X8 BK A/9	334728087	A-BLACK	GCP	PLR		M	R	1	-	-	-	-	-	-	-	SALEABLE		N/A	N/A	N/A	N/A
MX150 ASSY RCP 2X8 BK A/8	334728088	A-BLACK	GCP	PLR		M	R	-	-	-	-	-	-	-	8	SALEABLE		N/A	N/A	N/A	N/A
MX150 ASSY RCP 2X8 BK A/11	334728089	A-BLACK	GCP	PLR		M	R	-	-	-	-	-	-	-	-	SALEABLE		N/A	N/A	N/A	N/A
MX150 ASSY RCP 2X8 BK A/10	334728090	A-BLACK	GCP	PLR		M	R	-	-	-	-	-	-	-	-	SALEABLE		N/A	N/A	N/A	N/A

ASSEMBLY DESCRIPTION	ASSEMBLY PART NUMBER	COMPONENT						BLOCKED TERMINALS								STATUS	COMMENT	OPTIONAL ATTACHMENTS SOLD SEPARATELY				
		THE PRESENCE OF AN ABBREVIATION INDICATES THE PRESENCE OF THAT COMPONENT						CAVITY WITH A NUMBER INDICATES BLOCKED TERMINAL POSITION CAVITY WITHOUT A NUMBER INDICATES OPEN TERMINAL POSITION										BACKSHELL WITH RIBS	BACKSHELL WITHOUT RIBS	90° ADAPTOR WITH RIBS	90° ADAPTOR WITHOUT RIBS	
		HOUSING KEY/COLOR	GROMMET CAP	PLR	CPA	MAT SEAL	RING SEAL	1	2	3	4	5	6	7	8							
MX150 ASSY RCP 2X8 BK A/15	334728091	A-BLACK	GCP	PLR		M	R	-	-	-	-	-	-	-	-	-	SALEABLE		N/A	N/A	N/A	N/A
MX150 ASSY RCP 2X8 BK A/13	334728092	A-BLACK	GCP	PLR		M	R	-	-	-	12	-	5	6	-	-	SALEABLE		N/A	N/A	N/A	N/A
MX150 ASSY RCP 2X8 BK A/13	334728093	A-BLACK	GCP	PLR		M	R	-	-	-	12	-	5	6	7	-	SALEABLE		N/A	N/A	N/A	N/A
MX150 ASSY RCP 2X8 BK A/5	334728094	A-BLACK	GCP	PLR		M	R	1	2	3	4	5	6	7	8	-	SALEABLE		N/A	N/A	N/A	N/A
MX150 ASSY RCP 2X8 BK A/10	334728095	A-BLACK	GCP	PLR		M	R	-	10	-	-	-	6	-	-	-	SALEABLE		N/A	N/A	N/A	N/A
MX150 ASSY RCP 2X8 BK A/12	334728096	A-BLACK	GCP	PLR		M	R	-	-	-	-	5	-	-	-	-	SALEABLE		N/A	N/A	N/A	N/A
MX150 ASSY RCP 2X8 BK A/10	334728097	A-BLACK	GCP	PLR		M	R	9	-	-	-	5	-	-	-	-	SALEABLE		N/A	N/A	N/A	N/A
MX150 ASSY RCP 2X8 BK A/12	334728098	A-BLACK	GCP	PLR		M	R	9	-	3	-	-	-	-	-	-	SALEABLE		N/A	N/A	N/A	N/A
MX150 ASSY RCP 2X8 BK A/13	334728099	A-BLACK	GCP	PLR		M	R	9	-	3	-	5	-	-	-	-	SALEABLE		N/A	N/A	N/A	N/A
MX150 ASSY RCP 2X8 CPA BK A/6	334728100	A-BLACK	GCP	PLR	CPA	M	R	1	2	3	4	5	6	7	8	-	SALEABLE		N/A	N/A	N/A	N/A
MX150 ASSY RCP 2X8 BK A/6	334728101	A-BLACK	GCP	PLR		M	R	1	2	3	4	5	6	7	8	-	SALEABLE		N/A	N/A	N/A	N/A
MX150 ASSY RCP 2X8 CPA BK A/14	334728102	A-BLACK	GCP	PLR	CPA	M	R	-	-	-	-	-	-	-	-	-	SALEABLE		N/A	N/A	N/A	N/A
MX150 ASSY RCP 2X8 BK A/10	334728103	A-BLACK	GCP	PLR		M	R	1	-	-	-	5	-	-	-	8	SALEABLE		N/A	N/A	N/A	N/A
MX150 ASSY RCP 2X8 CPA BK A/7	334728104	A-BLACK	GCP	PLR	CPA	M	R	9	10	-	-	-	-	-	-	16	SALEABLE		N/A	N/A	N/A	N/A
MX150 ASSY RCP 2X8 CPA BK A/14	334728105	A-BLACK	GCP	PLR	CPA	M	R	-	2	-	4	5	-	-	-	8	SALEABLE		N/A	N/A	N/A	N/A
MX150 ASSY RCP 2X8 CPA BK A/8	334728106	A-BLACK	GCP	PLR	CPA	M	R	-	-	-	12	13	14	15	16	-	SALEABLE		N/A	N/A	N/A	N/A
MX150 ASSY RCP 2X8 BK A/8	334728107	A-BLACK	GCP	PLR		M	R	-	-	3	-	-	6	-	-	-	SALEABLE		N/A	N/A	N/A	N/A
MX150 ASSY RCP 2X8 BK A/7	334728108	A-BLACK	GCP	PLR		M	R	-	-	3	-	-	6	-	-	-	SALEABLE		N/A	N/A	N/A	N/A
MX150 ASSY RCP 2X8 BK A/14	334728109	A-BLACK	GCP	PLR		M	R	9	-	11	12	13	14	15	16	-	SALEABLE		N/A	N/A	N/A	N/A
MX150 ASSY RCP 2X8 BK A/6	334728110	A-BLACK	GCP	PLR		M	R	-	-	3	-	-	-	-	-	-	SALEABLE		N/A	N/A	N/A	N/A
MX150 ASSY RCP 2X8 BK A/6	334728111	A-BLACK	GCP	PLR		M	R	1	-	-	-	5	6	7	8	-	SALEABLE		N/A	N/A	N/A	N/A
MX150 ASSY RCP 2X8 BK A/14	334728112	A-BLACK	GCP	PLR		M	R	-	10	11	12	13	-	-	-	16	SALEABLE		N/A	N/A	N/A	N/A
MX150 ASSY RCP 2X8 CPA BK A/14	334728113	A-BLACK	GCP	PLR	CPA	M	R	-	-	3	-	-	-	-	-	-	SALEABLE		N/A	N/A	N/A	N/A
MX150 ASSY RCP 2X8 BK A/8	334728114	A-BLACK	GCP	PLR		M	R	1	2	-	4	5	6	-	8	-	SALEABLE		N/A	N/A	N/A	N/A
MX150 ASSY RCP 2X8 LG B/11	334728115	B-LIGHT GRAY	GCP	PLR		M	R	-	10	-	-	-	6	-	-	-	SALEABLE		N/A	N/A	N/A	N/A
MX150 ASSY RCP 2X8 LG B/6	334728116	B-LIGHT GRAY	GCP	PLR		M	R	-	-	-	-	13	14	15	16	-	SALEABLE		N/A	N/A	N/A	N/A
MX150 ASSY RCP 2X8 LG B/3	334728117	B-LIGHT GRAY	GCP	PLR		M	R	1	2	3	4	-	6	7	-	-	SALEABLE		N/A	N/A	N/A	N/A
								9	10	11	12	13	14	15	16							

ASSEMBLY DESCRIPTION	ASSEMBLY PART NUMBER	COMPONENT						BLOCKED TERMINALS								STATUS	COMMENT	OPTIONAL ATTACHMENTS SOLD SEPARATELY			
		THE PRESENCE OF AN ABBREVIATION INDICATES THE PRESENCE OF THAT COMPONENT						CAVITY WITH A NUMBER INDICATES BLOCKED TERMINAL POSITION CAVITY WITHOUT A NUMBER INDICATES OPEN TERMINAL POSITION										BACKSHELL WITH RIBS	BACKSHELL WITHOUT RIBS	90° ADAPTOR WITH RIBS	90° ADAPTOR WITHOUT RIBS
		HOUSING KEY/COLOR	GROMMET CAP	PLR	CPA	MAT SEAL	RING SEAL														
MX150 ASSY RCP 2X8 BK A/12	334728118	A-BLACK	GCP	PLR		M	R	-	-	-	-	5	-	-	-	SALEABLE		N/A	N/A	N/A	N/A
MX150 ASSY RCP 2X8 BK A/9	334728119	A-BLACK	GCP	PLR		M	R	-	-	3	-	5	-	-	8	SALEABLE		N/A	N/A	N/A	N/A
MX150 ASSY RCP 2X8 BK A/10	334728120	A-BLACK	GCP	PLR		M	R	-	-	3	-	5	-	-	-	SALEABLE		N/A	N/A	N/A	N/A
MX150 ASSY RCP 2X8 BK A/6	334728121	A-BLACK	GCP	PLR		M	R	-	-	3	-	-	6	7	-	SALEABLE		N/A	N/A	N/A	N/A
MX150 ASSY RCP 2X8 BK A/7	334728122	A-BLACK	GCP	PLR		M	R	9	-	11	12	13	14	15	16	SALEABLE		N/A	N/A	N/A	N/A
MX150 ASSY RCP 2X8 CPA BK A/11	334728123	A-BLACK	GCP	PLR	CPA	M	R	-	-	-	4	-	-	7	-	SALEABLE		N/A	N/A	N/A	N/A
MX150 ASSY RCP 2X8 BK A/8	334728124	A-BLACK	GCP	PLR		M	R	-	-	-	4	5	-	-	-	SALEABLE		N/A	N/A	N/A	N/A
MX150 ASSY RCP 2X8 BK A/9	334728125	A-BLACK	GCP	PLR		M	R	9	-	11	12	13	-	15	16	SALEABLE		N/A	N/A	N/A	N/A
MX150 ASSY RCP 2X8 BK A/10	334728126	A-BLACK	GCP	PLR		M	R	-	-	3	4	-	-	-	-	SALEABLE		N/A	N/A	N/A	N/A
MX150 ASSY RCP 2X8 BK A/9	334728127	A-BLACK	GCP	PLR		M	R	9	-	11	12	13	-	-	-	SALEABLE		N/A	N/A	N/A	N/A
MX150 ASSY RCP 2X8 BK A/7	334728128	A-BLACK	GCP	PLR		M	R	-	-	-	4	5	-	7	-	SALEABLE		N/A	N/A	N/A	N/A
MX150 ASSY RCP 2X8 BK A/8	334728129	A-BLACK	GCP	PLR		M	R	9	-	11	-	-	-	15	16	SALEABLE		N/A	N/A	N/A	N/A
MX150 ASSY RCP 2X8 BK A/9	334728130	A-BLACK	GCP	PLR		M	R	-	-	-	4	-	6	7	8	SALEABLE		N/A	N/A	N/A	N/A
MX150 ASSY RCP 2X8 BK A/6	334728131	A-BLACK	GCP	PLR		M	R	1	2	3	4	-	-	7	8	SALEABLE		N/A	N/A	N/A	N/A
MX150 ASSY RCP 2X8 BK A/3	334728132	A-BLACK	GCP	PLR		M	R	9	-	-	12	-	-	15	16	SALEABLE		N/A	N/A	N/A	N/A
MX150 ASSY RCP 2X8 BK A/5	334728133	A-BLACK	GCP	PLR		M	R	1	2	3	-	-	6	7	8	SALEABLE		N/A	N/A	N/A	N/A
MX150 ASSY RCP 2X8 BK A/11	334728134	A-BLACK	GCP	PLR		M	R	-	-	-	4	-	-	7	8	SALEABLE		N/A	N/A	N/A	N/A
MX150 ASSY RCP 2X8 BK A/10	334728135	A-BLACK	GCP	PLR		M	R	9	-	-	12	-	-	-	-	SALEABLE		N/A	N/A	N/A	N/A
MX150 ASSY RCP 2X8 CPA BK A/13	334728136	A-BLACK	GCP	PLR	CPA	M	R	-	-	-	-	5	6	-	-	SALEABLE		N/A	N/A	N/A	N/A
MX150 ASSY RCP 2X8 CPA BK A/15	334728137	A-BLACK	GCP	PLR	CPA	M	R	-	-	-	-	-	-	-	-	SALEABLE		N/A	N/A	N/A	N/A
MX150 ASSY RCP 2X8 BK A/11	334728138	A-BLACK	GCP	PLR		M	R	1	-	-	-	-	-	-	-	SALEABLE		N/A	N/A	N/A	N/A
MX150 ASSY RCP 2X8 CPA BK A/7	334728139	A-BLACK	GCP	PLR	CPA	M	R	9	-	11	-	-	-	15	16	SALEABLE		N/A	N/A	N/A	N/A

TABLE OF CONTENTS	
SHEET NO.	SHEET DESCRIPTION
1	NOTES AND BOM
2	CONFIGURATIONS
3-4	KEY CONFIGURATIONS
5	RECEPTACLE CONNECTOR ASSEMBLY
6	BACKSHELL NOTES
7	BACKSHELL
8	BACKSHELL CONFIGURATIONS
9	2X10 CONNECTOR INTERFACE DEFINITION

NOTES: VALID UNLESS OTHERWISE SPECIFIED

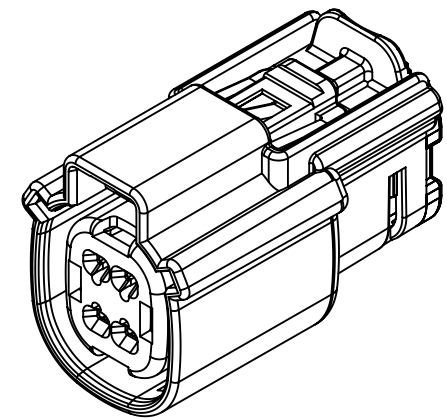
1. GENERAL:
- a. APPLICATION SPECIFICATION SEE: AS-33472-100
- CONTAINS: PRODUCT INTRODUCTION, PRODUCT SUMMARY, CONNECTOR ASSEMBLY, PACKAGING INFORMATION, CONNECTOR MATING, SERVICE INSTRUCTIONS, ELECTRICAL CONTINUITY CHECKING, CRIMPING, AND TROUBLESHOOTING.
  - DESIGNED TO MATE WITH DEVICE OR CONNECTOR AS SPECIFIED IN THE MATING INTERFACE/CONNECTOR DRAWINGS CHART.
  - \*DENOTES DRAWINGS THAT CAN BE ACCESSED AT <http://ewcap.uscarteams.org/>.
  - ASSEMBLY SHIPPED WITH PLR IN PRE-LOCK POSITION (SEE PLR PRE-LOCK VIEW SHEET 5).
- b. PRODUCT SPECIFICATION SEE:
- STANDARD CONFIGURATION (STD): PS-33472-000
  - TRANSMISSION CONFIGURATION (TRNS):
    - CONTAINS SILICONE: TS-160038-0001
    - SILICONE FREE: TBD
  - UL V0 CONFIGURATION (UL V0): TBD
    - CONTAINS: PRODUCT INTRODUCTION, PRODUCT SUMMARY, RATINGS (CURRENT, TEMPERATURE, SEALING, AND FLAMMABILITY), TERMINALS, WIRE DIAMETER RANGE, PRODUCT VALIDATION, AND PRODUCT DEVIATIONS.
- c. PACKAGING SPECIFICATION PER MOLEX DRAWING: SEE PACKAGING CHART
- d. PARTS MUST BE IN COMPLIANCE TO MOLEX CHEMICAL SUBSTANCES FOR PRODUCTS AND PACKAGING SPECIFICATION: QEHS-699000-301
- e. DATA MUST BE SUBMITTED UNDER THE MOLEX PART NUMBER TO IMDS (COMPANY ID#13255)

2. DESIGN - MATERIALS:
- a. FOR BILL OF MATERIALS SEE:
- STANDARD CONFIGURATION SD-33472-0002
  - TRANSMISSION CONGRURATION
    - CONTAINS SILICONE: SD-160038-0002
    - SILICONE FREE: SD-160092-0002
  - UL V0 CONFIGURATION SD-160074-0002
- b. TRANSMISSION CONNECTOR COMPONENTS MUST MEET THE MATERIAL REQUIREMENTS SPECIFIED IN TS-160038-0001 & TBD

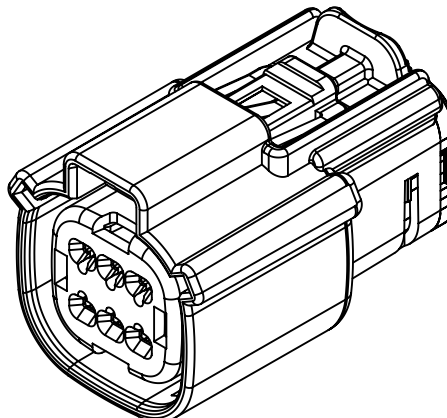
3. DESIGN - GEOMETRY:
- a. THE 3-D CAD DATA IS BASIC (WITHOUT TOLERANCE) AND MASTER FOR THIS PART WITH THE EXCEPTION OF UNDERLINED DIMENSIONS. DIMENSIONAL INFORMATION NOT SHOWN ON THIS DRAWING IS DEFINED BY THE DATA FILE AT ITS LATEST REVISION.
- b. GEOMETRIC DIMENSIONS AND TOLERANCES PER ASME Y14.5M-2009
- c. EDGES AND UNDIMENSIONED DETAILS PER ISO13715
- d. CORNERS SHOWN AS SHARP TO BE R 0.2 MAX.
- e. LETTERING SHALL BE 0.15 MAX RAISED IN 0.25 MAX RECESS PAD. THIS INCLUDES RECYCLING CODE, CAVITY ID, VENDOR IDENTIFICATION, AND CUSTOMER MATERIAL NUMBER.
- f. VISUAL DEFECTS SHALL MEET COSMETIC STANDARD PS-45499-002 (Class B).
- g. LASER MARKING:
- PART NUMBER
  - DAY OF THE YEAR
  - SHIFT
  - YEAR
- FOR ADDITIONAL INFORMATION SEE SECTION 5 UNDER PROCEDURES IN ES-34735-008.
- h. 2X2 CLIP-SLOT DESIGN IS BASED ON USCAR/EWCAP 7mm CLIP SLOT EWCAP - 005 - 7
- 2X3 THRU 2X10 CLIP-SLOT DESIGN IS BASED ON USCAR/EWCAP 11mm CLIP SLOT EWCAP - 005 - 11

DESCRIPTION	DRAWING NO.
2X2	PK-31300-635
2X3	PK-31300-903
2X4	PK-31300-903
2X6	PK-31300-903
2X8	PK-31300-903
2X10	PK-31300-903

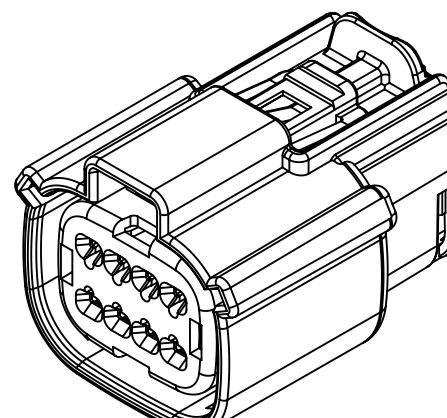
MATING INTERFACE/CONNECTOR DRAWINGS		
DESCRIPTION	INTERFACE DEFINITION	MOLEX INLINE
STANDARD 2X2	*150-S-004-2-Z02	SD-33482-0001
UL V0 2X2	*150-S-004-2-Z02	SD-33482-0001
STANDARD 2X3	*150-S-006-2-Z02	SD-33482-0001
TRANSMISSION 2X3	*150-S-006-2-Z02	N/A
STANDARD 2X4	*150-S-008-2-Z02	SD-33482-0001
UL V0 2X4	*150-S-008-2-Z02	SD-33482-0001
STANDARD 2X6	*150-S-012-2-Z01	SD-33482-0001
UL V0 2X6	*150-S-012-2-Z01	SD-33482-0001
STANDARD 2X8	*150-S-016-2-Z01	SD-33482-0001
STANDARD 2X10	SD-33472-0001	SD-33482-0001
UL V0 2X10	SD-33472-0001	SD-33482-0001



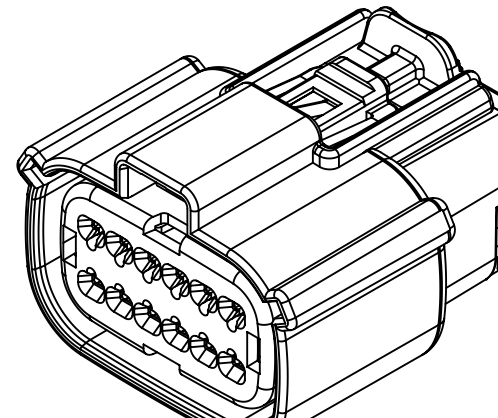
2x2



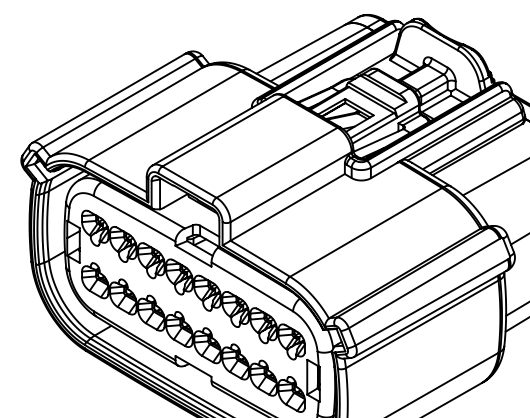
2x3



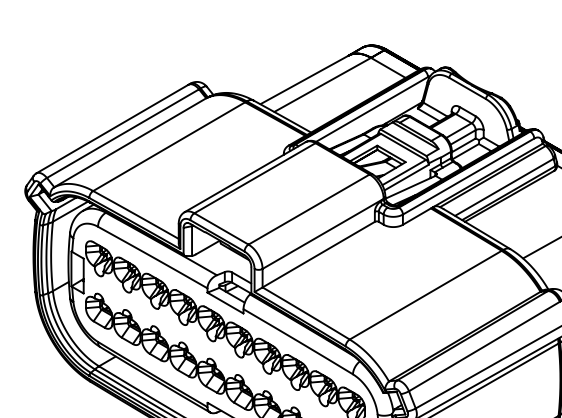
2x4



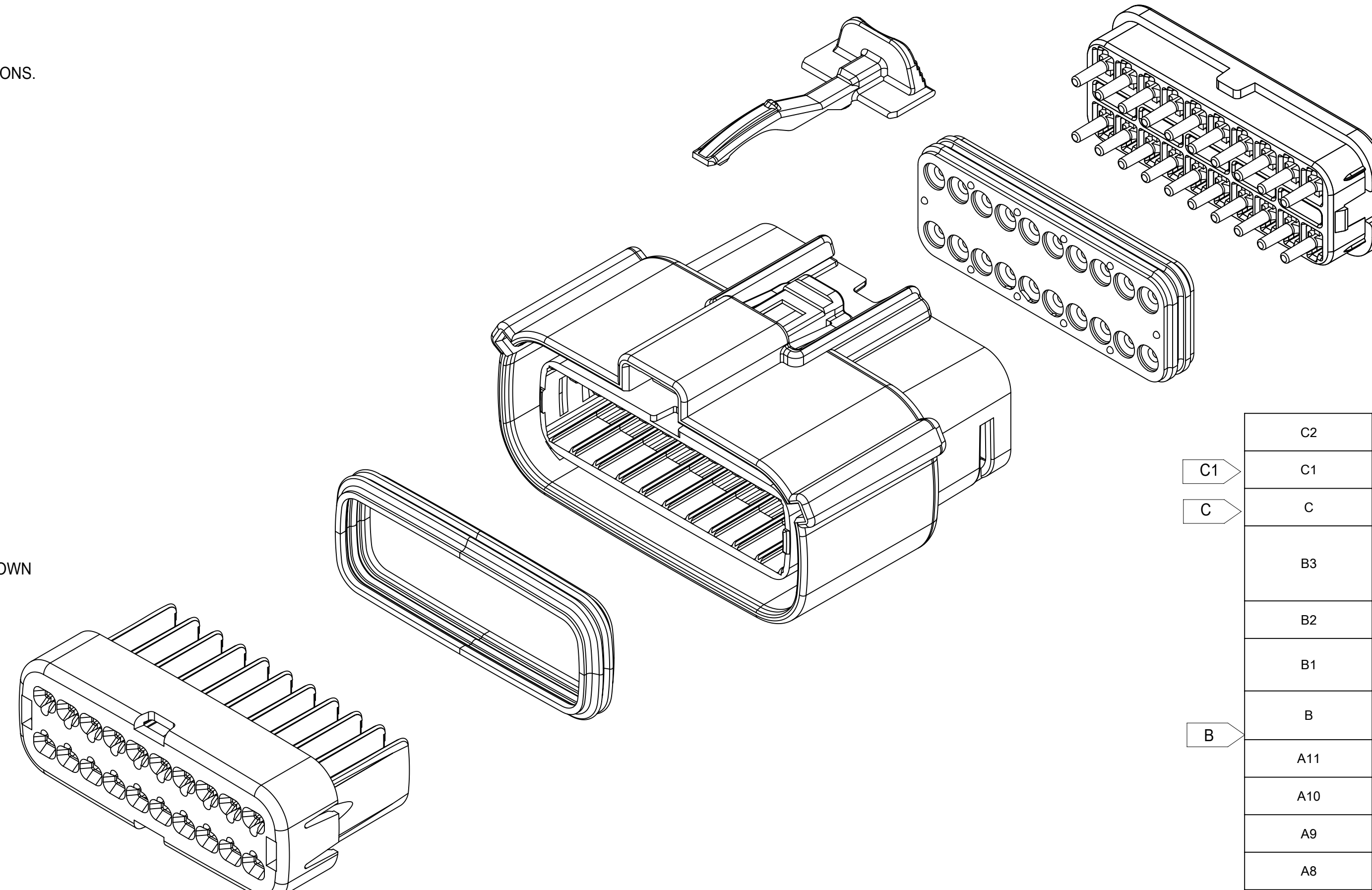
2x6



2x8



2x10



C2	ADDED MOLEX BACKSHELL DETAILS
C1	ADDED 2X6-TRNS.-WITH/WITHOUT CLIPSLOT *
C	ADDED 2X10-STD.-WITH CLIPSLOT *
B3	ADD ROW FOR 2X6 V0 ON SHEET 5DIM3# UPDATE TO 25.0 MAX FOR V0DIM11# UPDATE TO 33.85 MAX FOR V0
B2	ADD 2X6 UL V0 CONFIGURATIONS
B1	UPDATE 2X6 W/O CLIPSLOT DIM G ON TABLE OF SHEET 5
B	ADDED 2X2 - STD- WITH CLIPSLOT, 2X8 - STD- WITH CLIPSLOT AND NOTE h
A11	MINOR GEOMETRY CHANGE FOR UL V0
A10	UPDATED 2X4 DRAWING NUMBER
A9	UPDATED 2X10 PART NUMBERS
A8	UPDATED 2X3 DRAWING NUMBER
A7	UPDATED 2X10 INTERFACE
A6	ADDED TRANSMISSION REFERENCES
A5	ADD 2X10 INTERFACE SHEETS
A4	ADD UL V0 CONFIGURATIONS
A3	ADDED 2X3 STD AND TRANSMISSION
A2	UPDATED 2X8 BLD DRAWINGS
A1	FIXED TYPO IN NOTE 1a, UPDATED 2X6 MOLEX INLINE BLADE DRAWING
A	INITIAL RELEASE
REV	REV DESCRIPTION

INSPECTION NUMBER LOG	
LAST NUMBER:	11
ADDED:	11
REMOVED:	

SYMBOLS		THIS DRAWING CONTAINS INFORMATION THAT IS PROPRIETARY TO MOLEX ELECTRONIC TECHNOLOGIES, LLC AND SHOULD NOT BE USED WITHOUT WRITTEN PERMISSION		CURRENT REV DESC:		molex	
	= 0	DIMENSION UNITS	SCALE	EC NO: 171650		MX150 RCPT DUAL ROW SEALED ASSEMBLY MAT SEAL PRODUCT CUSTOMER DRAWING	
	= 0	mm	1:1	DRWN: DDEB 2018/01/19			
	= 0	GENERAL TOLERANCES (UNLESS SPECIFIED)		CHK'D: MVANSLAMBROU 2018/02/16			
	= 0	ANGULAR TOL ± 1.0°		APPR: MVANSLAMBROU 2018/02/16			
	= 0	4 PLACES ±		INITIAL REVISION:		DOCUMENT NUMBER	
	= 0	3 PLACES ±		DRWN: APROFFITT 2014/05/14		DOC TYPE   DOC PART   REVISION	
	= 0	2 PLACES ± 0.1		APPR: VKOSHY 2014/06/27		SD-33472-0001	
	= 0	1 PLACE ± 0.2		DRAFT WHERE APPLICABLE MUST REMAIN WITHIN DIMENSIONS		PSD 001 C2	
	= 0	0 PLACES ±		THIRD ANGLE PROJECTION		MATERIAL NUMBER	
	= 0			DRAWING		CUSTOMER	
				A1-SIZE		GENERAL MARKET	
				SERIES		SHEET NUMBER	
				33472		1 OF 11	



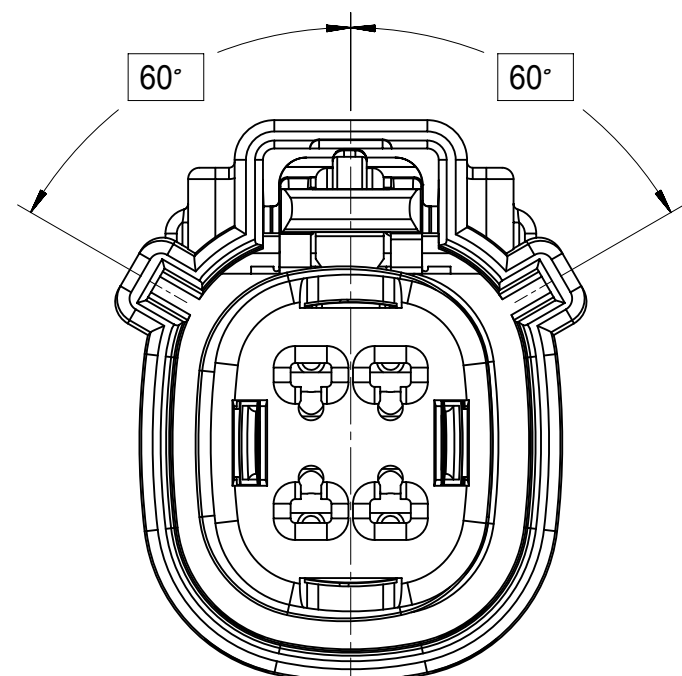




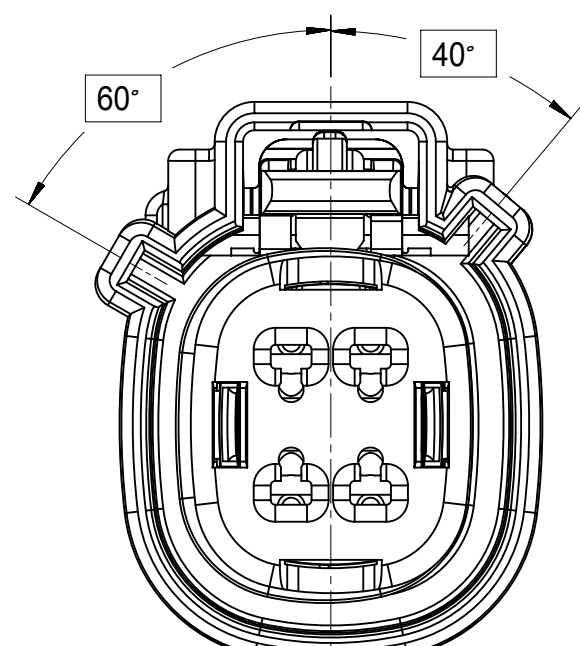
# SHEET DESCRIPTION

KEY CONFIGURATIONS

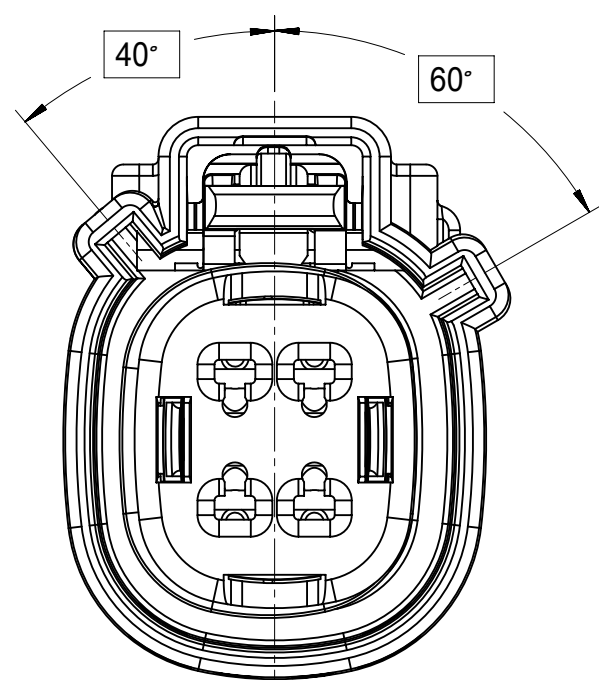
## 2X2



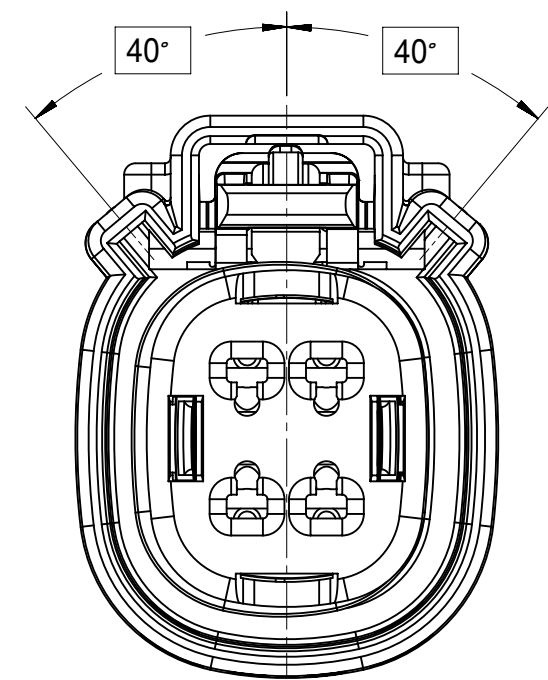
KEY A



KEY B

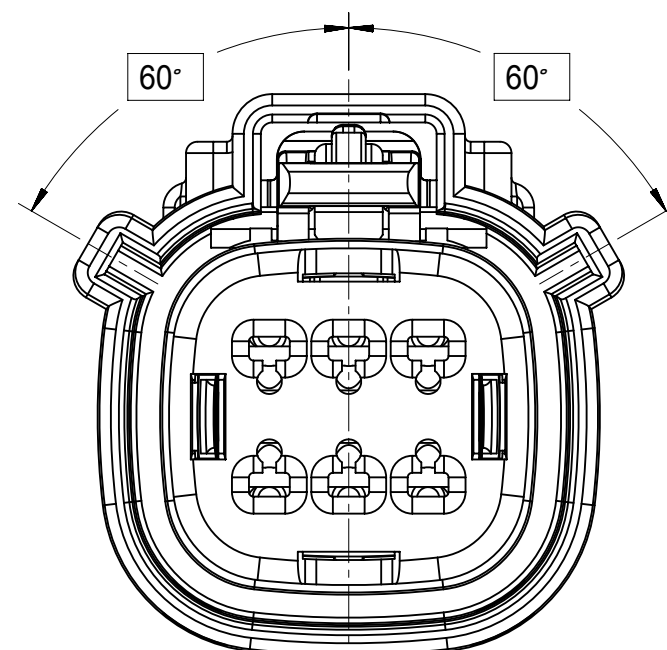


KEY C

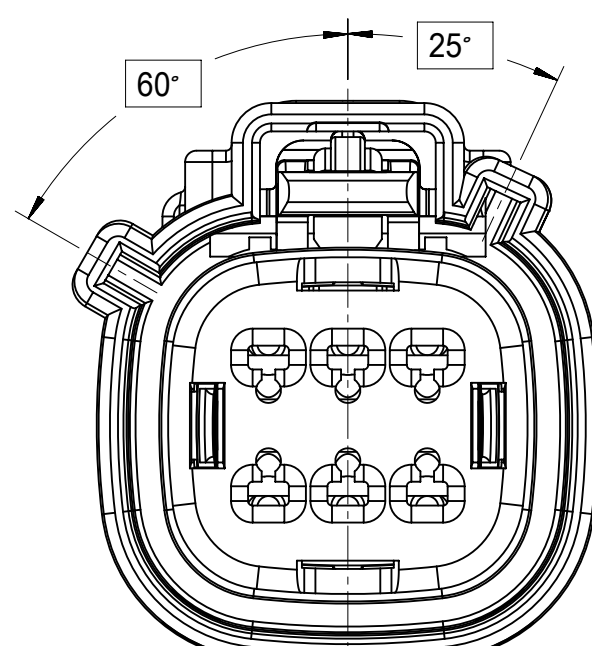


KEY D

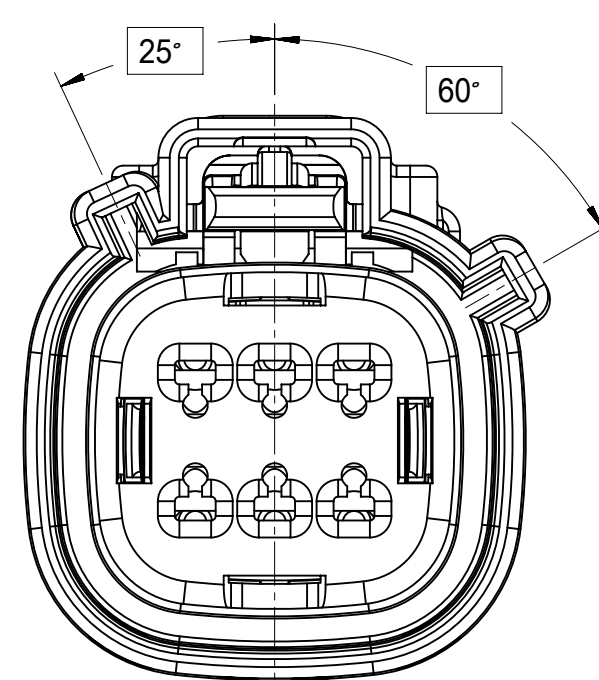
## 2X3



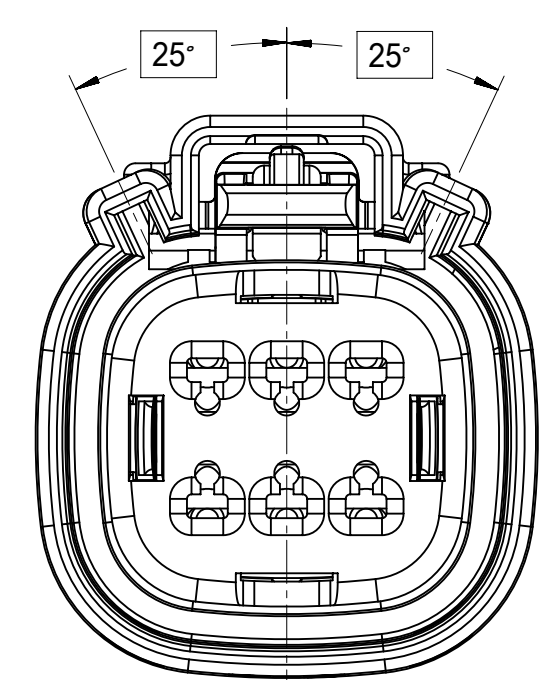
KEY A



KEY B

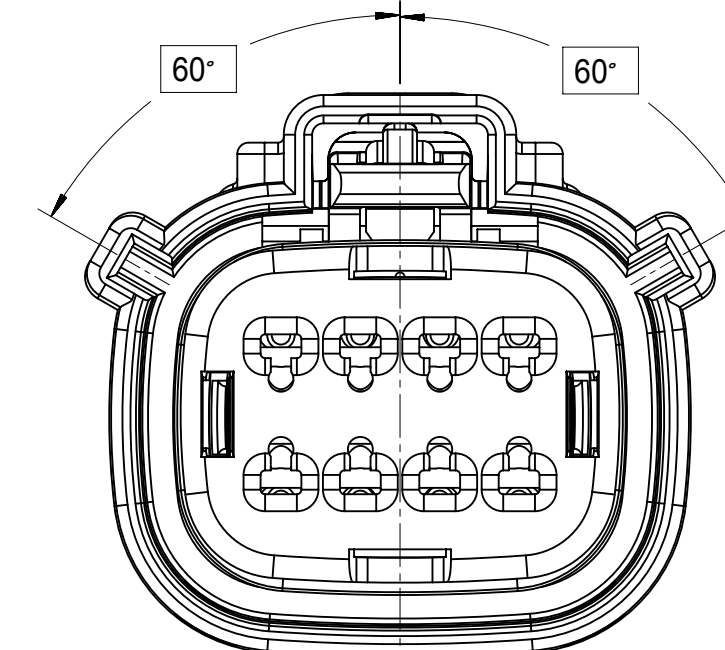


KEY C

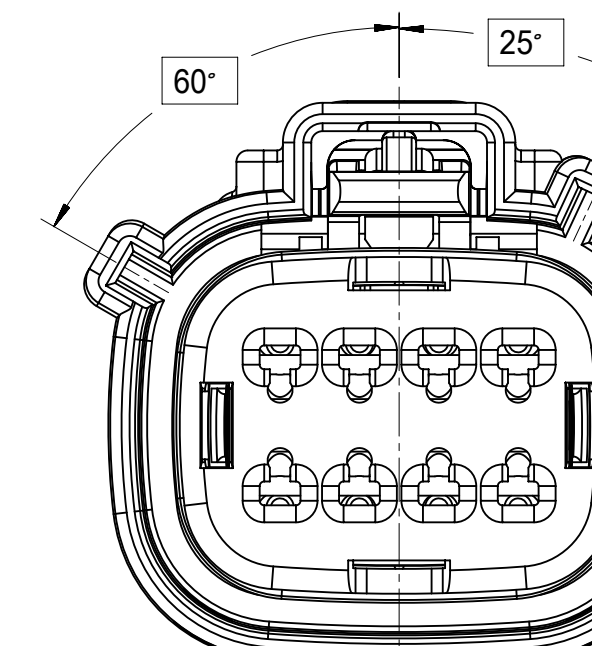


KEY D

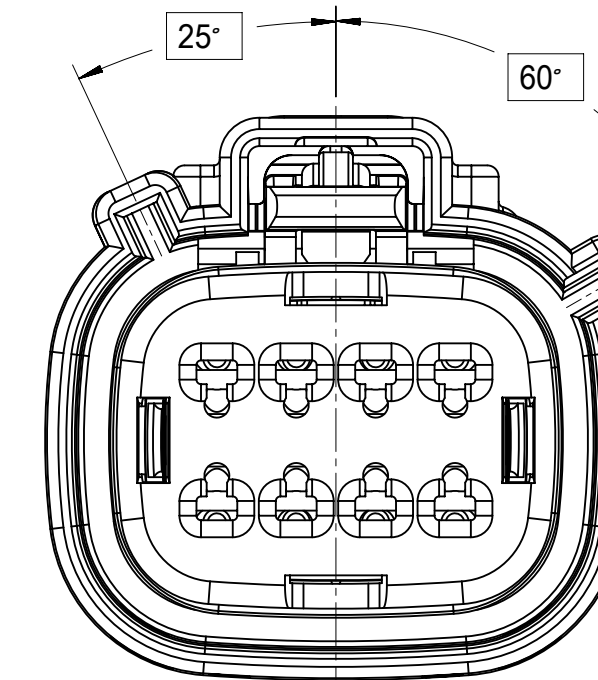
## 2X4



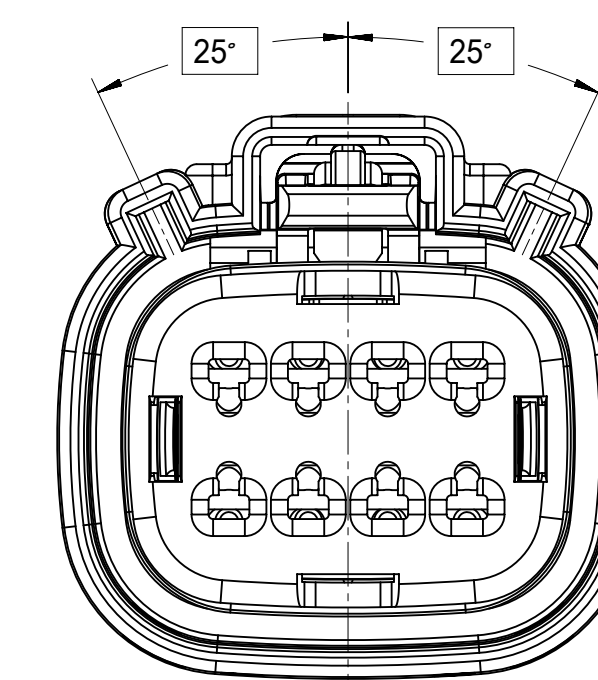
KEY A



KEY B



KEY C



KEY D

<b>SYMBOLS</b> = 0 = 0 = 0 = 0 = 0 = 0 = 0 = 0 = 0 = 0	THIS DRAWING CONTAINS INFORMATION THAT IS PROPRIETARY TO MOLEX ELECTRONIC TECHNOLOGIES, LLC AND SHOULD NOT BE USED WITHOUT WRITTEN PERMISSION DIMENSION UNITS: <b>mm</b> SCALE: <b>1:1</b>	CURRENT REV DESC: EC NO: 171650 DRWN: DDEB 2018/01/19 CHK'D: MVANSLAMBROU 2018/02/16 APPR: MVANSLAMBROU 2018/02/16	 MX150 RCPT DUAL ROW SEALED ASSEMBLY MAT SEAL		
	GENERAL TOLERANCES (UNLESS SPECIFIED) ANGULAR TOL ± 1.0° 4 PLACES ± 3 PLACES ± 2 PLACES ± 0.1 1 PLACE ± 0.2 0 PLACES ± DRAFT WHERE APPLICABLE MUST REMAIN WITHIN DIMENSIONS	INITIAL REVISION: DRWN: APROFFITT 2014/05/14 APPR: VKOSHY 2014/06/27	PRODUCT CUSTOMER DRAWING DOCUMENT NUMBER: <b>SD-33472-0001</b> DOC TYPE: PSD DOC PART: 001 REVISION: C2	MATERIAL NUMBER CUSTOMER GENERAL MARKET	SHEET NUMBER 3 OF 11

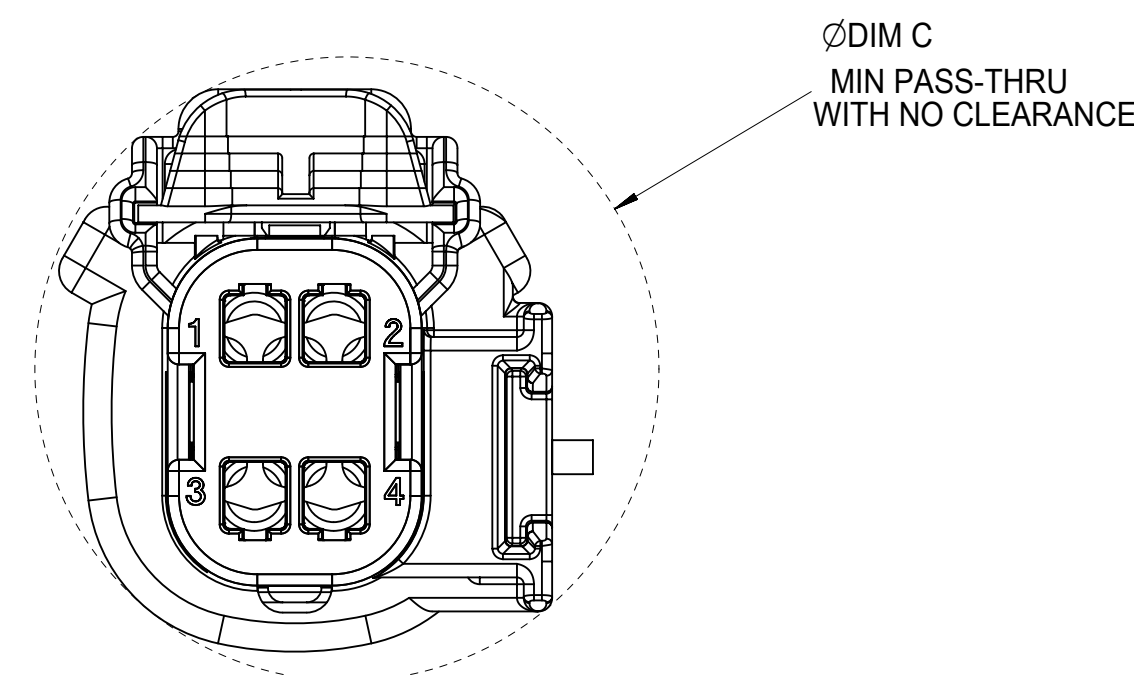
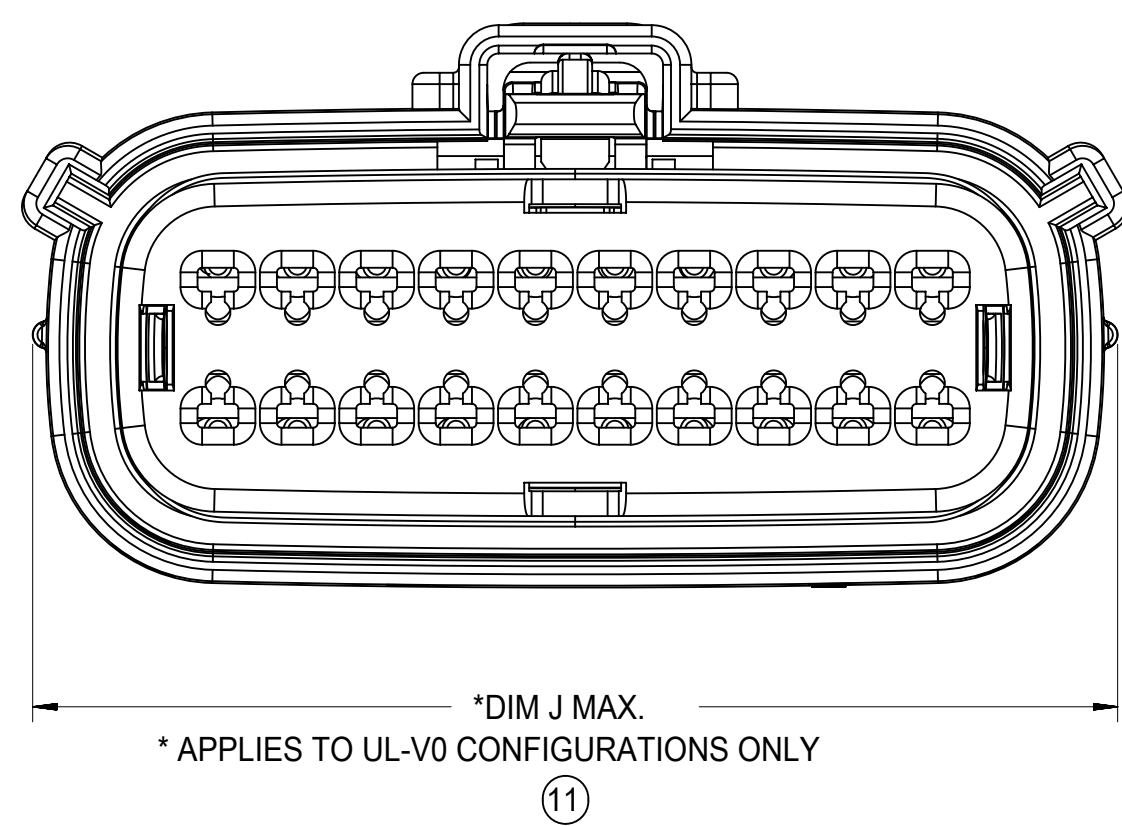


# SHEET DESCRIPTION

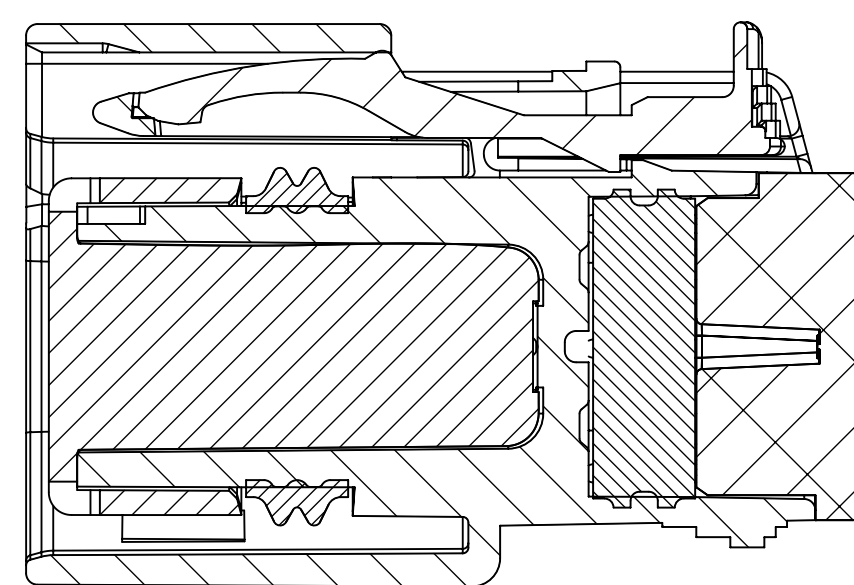
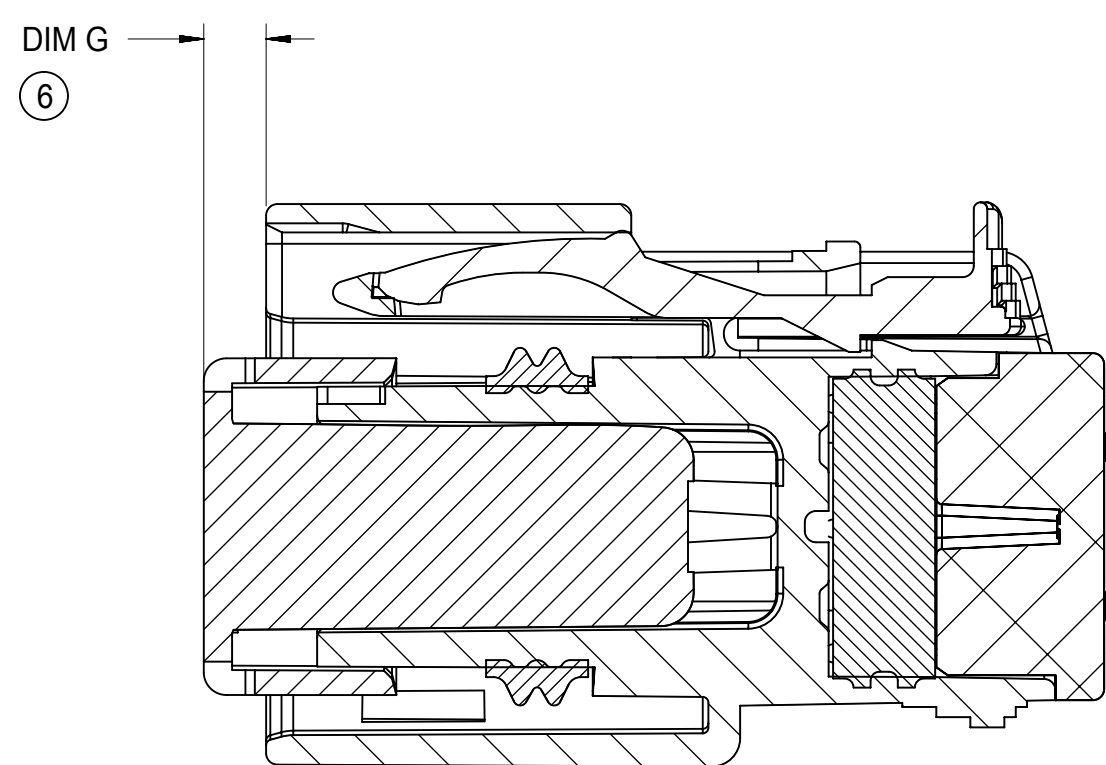
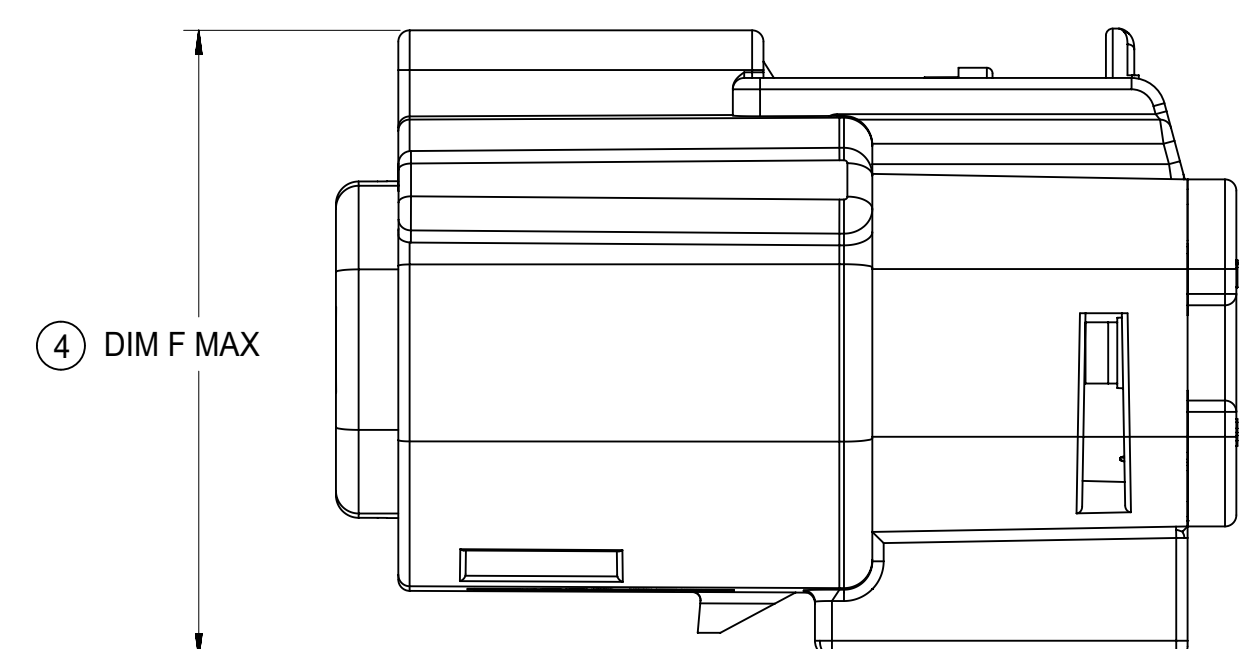
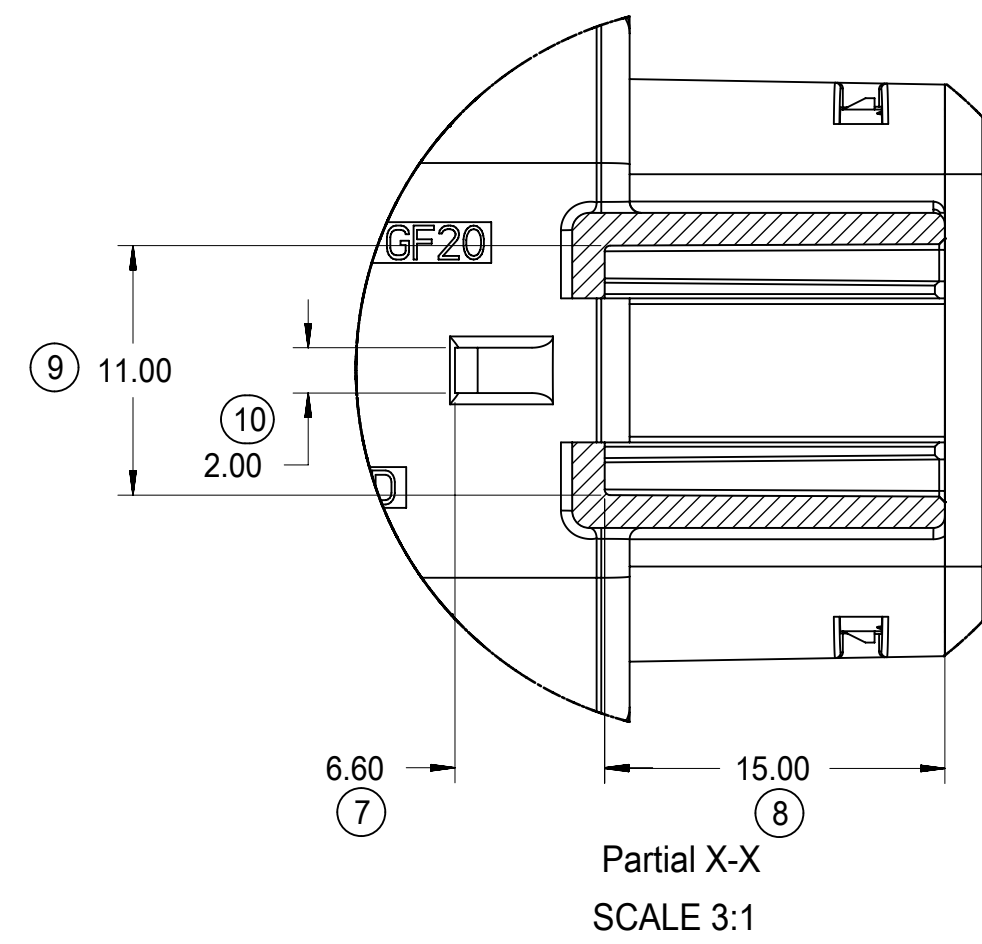
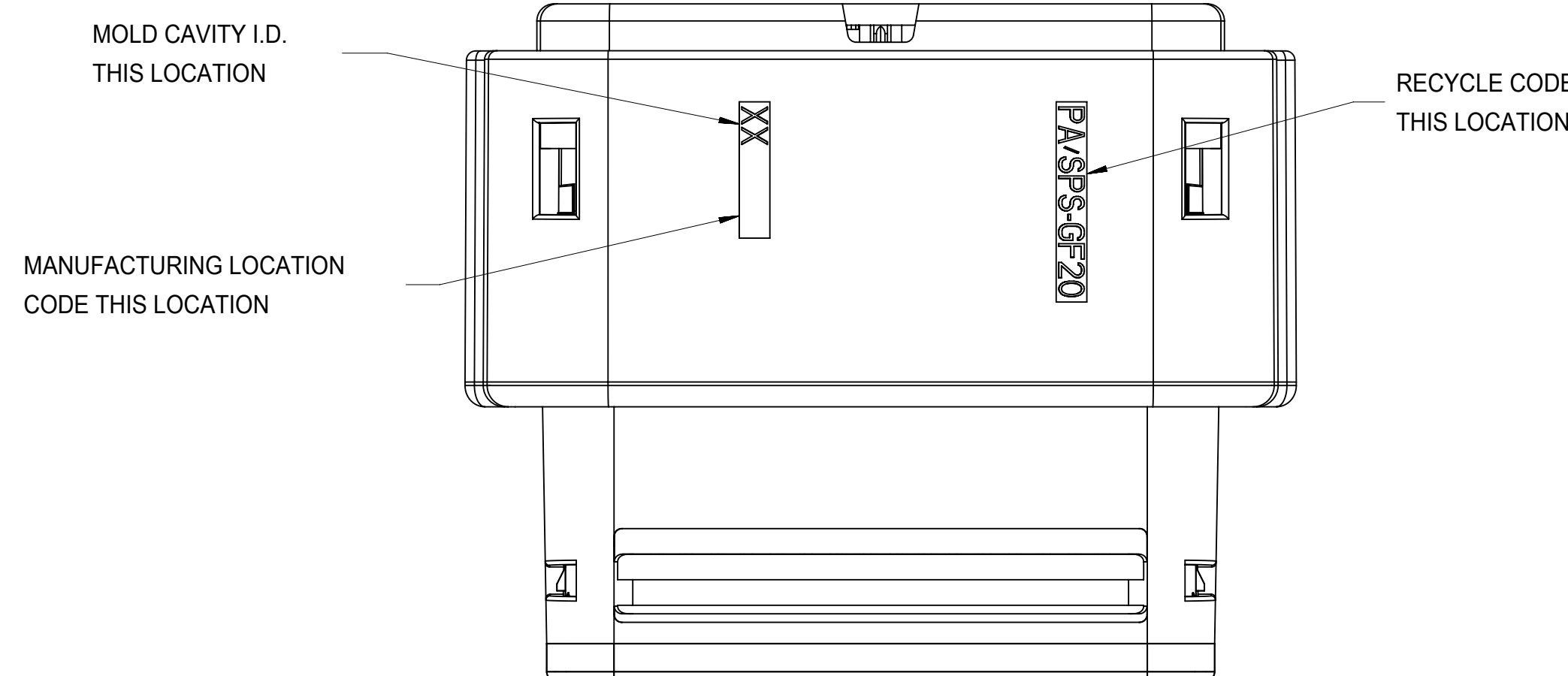
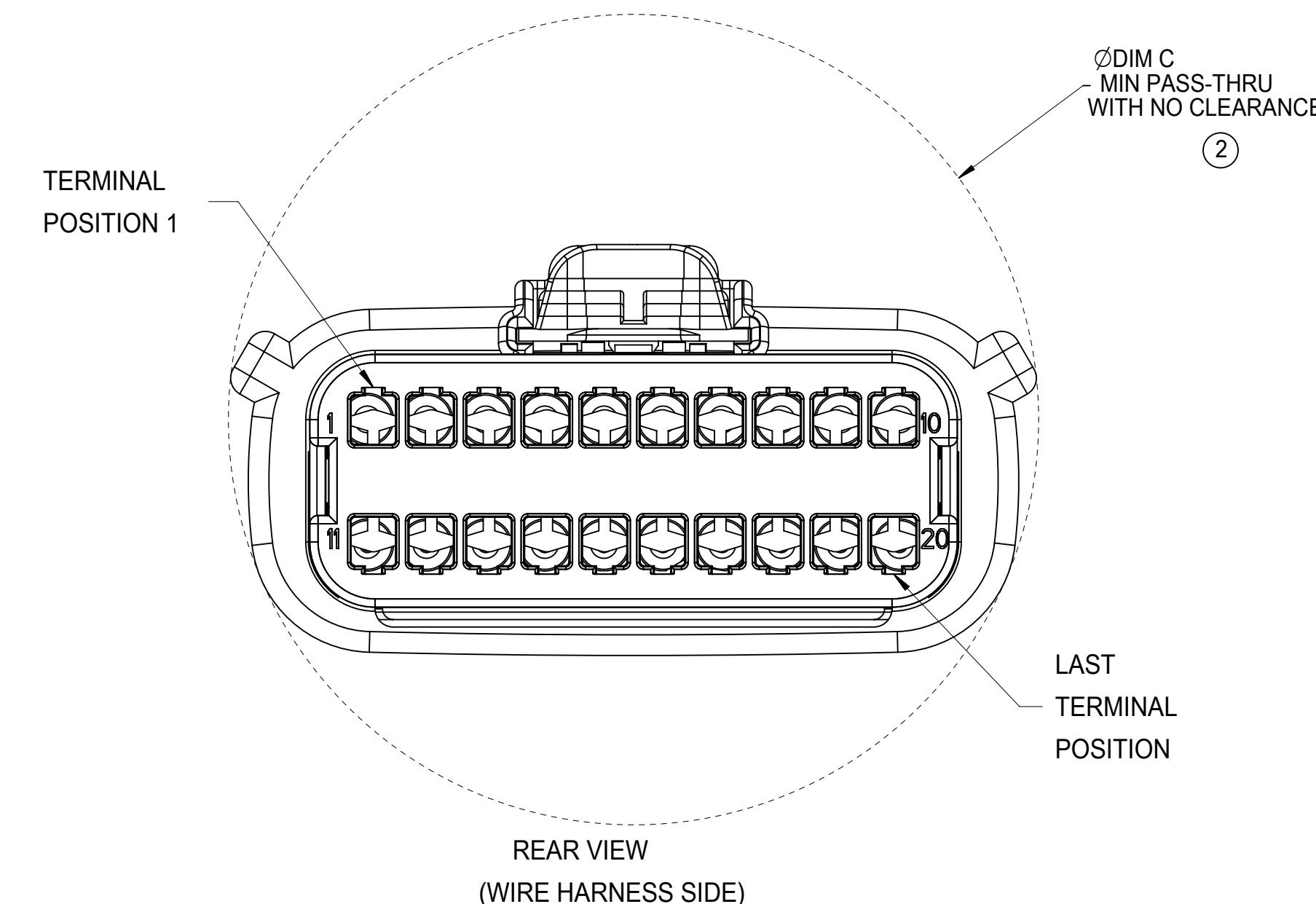
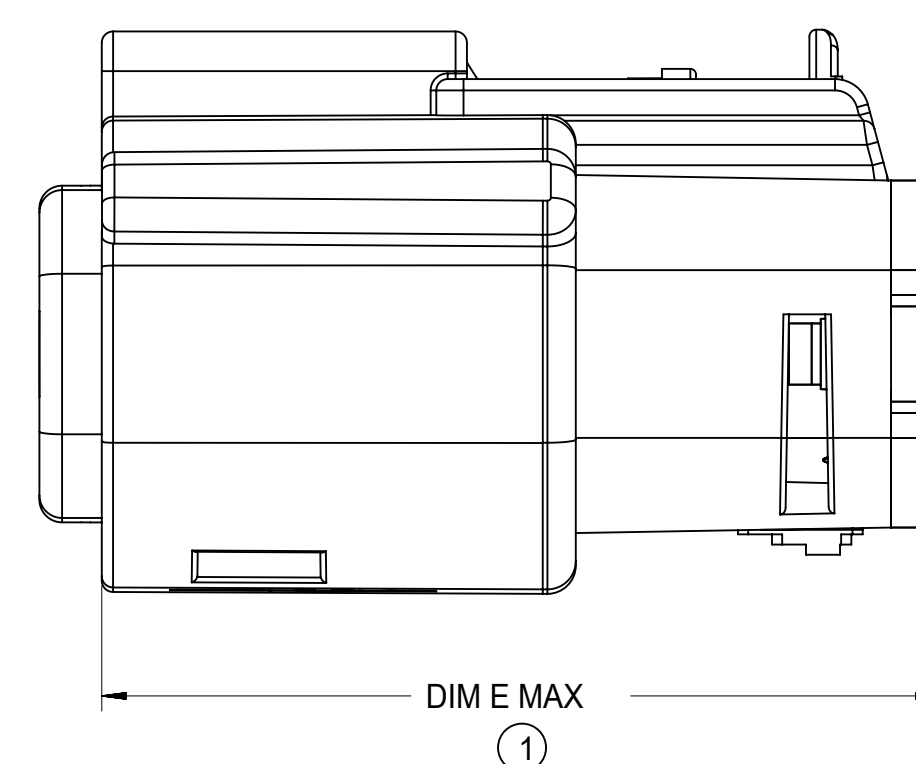
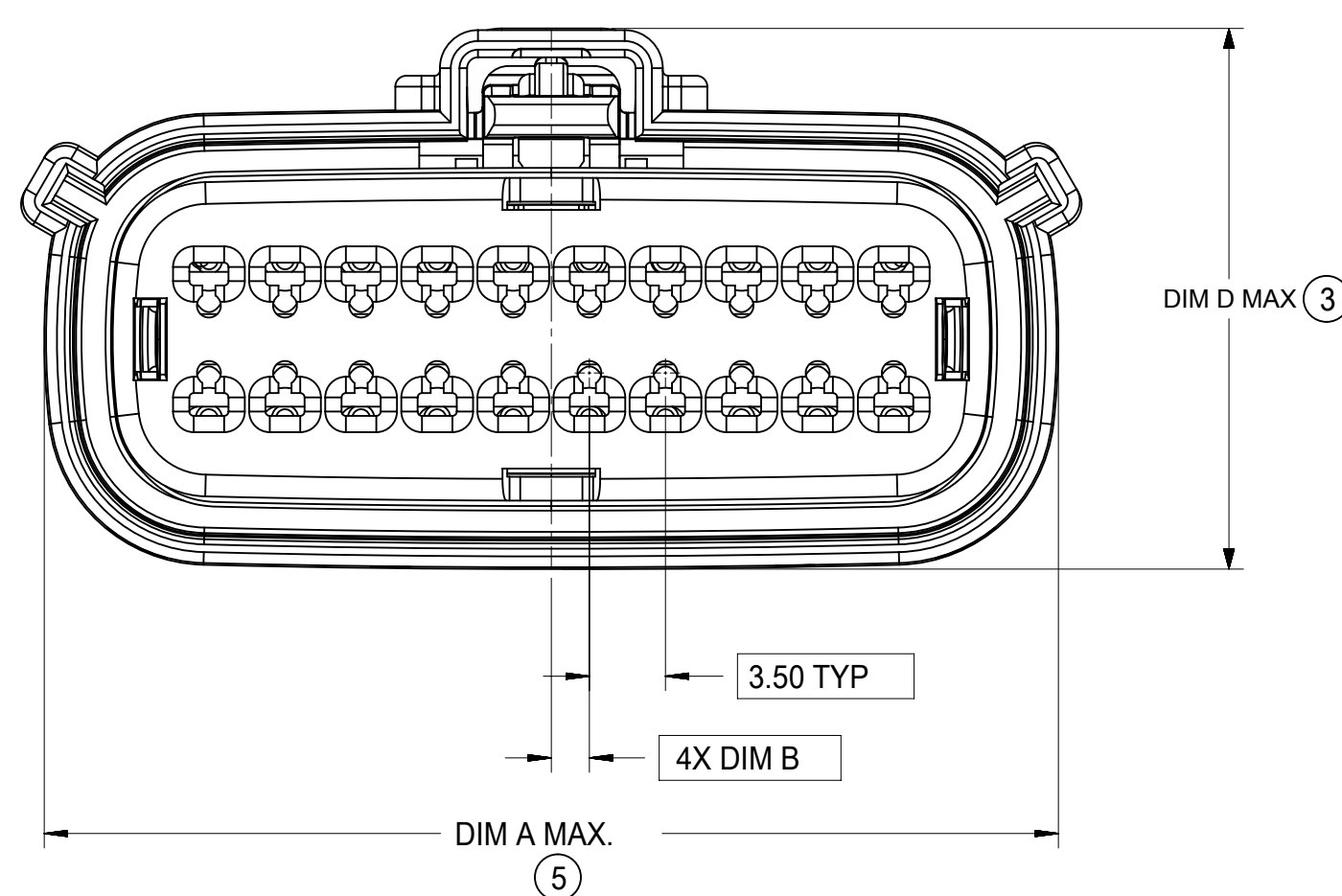
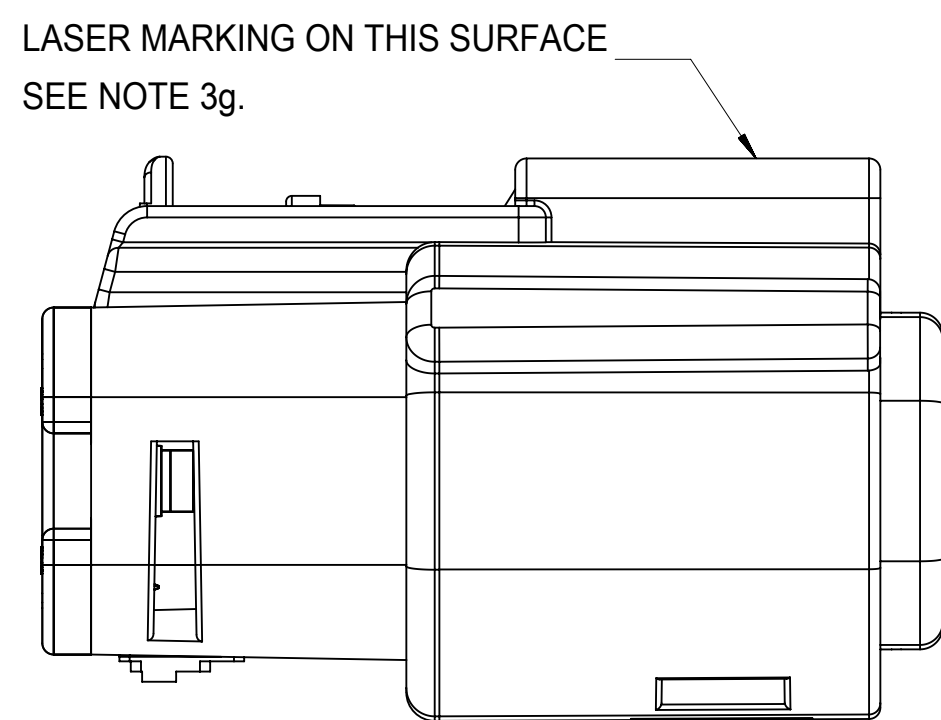
RECEPTACLE CONNECTOR ASSEMBLY

# CHARTED DIMENSIONS

DESCRIPTION	DIMENSIONS						
	A	B	C	D	E	F	J
2X2 W/O CLIPSLOT	18.58	1.75	25.45	24.81	37.65	N/A	2.75±0.50
2X2 W/ CLIPSLOT	18.58	1.75	27.65	24.81	37.65	N/A	2.75±0.50
2X2 LENGTHENED	18.58	1.75	25.45	24.81	42.25	N/A	2.75±0.50
2X3 W/ CLIPSLOT	22.25	3.5	30.50	N/A	37.65	27.96	4.0±0.4
2X3 W/O CLIPSLOT	22.25	3.5	26.24	24.90	37.65	N/A	4.0±0.4
2X4 W/ CLIPSLOT	25.75	1.75	31.50	N/A	37.65	28.00	2.75±0.50
2X4 W/O CLIPSLOT	25.75	1.75	29.19	24.81	37.65	N/A	2.75±0.50
2X6 W/ CLIPSLOT	32.75	1.75	35.58	N/A	37.65	27.76	2.75±0.50
2X6 W/O CLIPSLOT	32.75	1.75	35.58	24.90	37.65	N/A	2.75±0.50
2X6 W/O CLIPSLOT V0	32.75	1.75	35.58	25.0	37.65	N/A	2.75±0.50
2X8 W/O CLIPSLOT	39.80	1.75	42.25	24.90	37.65	N/A	4.0±0.4
2X8 W/ CLIPSLOT	39.80	1.75	42.25	N/A	37.65	27.80	4.0±0.4
2X10 W/O CLIPSLOT	46.75	1.75	49.95	24.90	37.65	N/A	2.75±0.50
2X10 W/ CLIPSLOT	46.75	1.75	49.95	N/A	37.65	27.80	2.75±0.50



B APPLIES TO 2X2 - STD. - WITH CLIPSLOT ONLY



SECTION Y-Y

SECTION Z-Z

<b>SYMBOLS</b> THIS DRAWING CONTAINS INFORMATION THAT IS PROPRIETARY TO MOLEX ELECTRONIC TECHNOLOGIES, LLC AND SHOULD NOT BE USED WITHOUT WRITTEN PERMISSION DIMENSION UNITS: mm SCALE: 1:1 GENERAL TOLERANCES (UNLESS SPECIFIED): ANGULAR TOL ± 1.0° 4 PLACES ± 3 PLACES ± 2 PLACES ± 0.1 1 PLACE ± 0.2 0 PLACES ± DRAFT WHERE APPLICABLE MUST REMAIN WITHIN DIMENSIONS	CURRENT REV DESC: EC NO: 171650 DRWN: DDEB 2018/01/19 CHK'D: MVANSLAMBROU 2018/02/16 APPR: MVANSLAMBROU 2018/02/16 INITIAL REVISION: DRWN: APROFFITT 2014/05/14 APPR: VKOSHY 2014/06/27		 MX150 RCPT DUAL ROW SEALED ASSEMBLY MAT SEAL PRODUCT CUSTOMER DRAWING	
	DOCUMENT NUMBER: SD-33472-0001 DOC TYPE: PSD DOC PART: 001 REVISION: C2	MATERIAL NUMBER: 33472 CUSTOMER: GENERAL MARKET SHEET NUMBER: 5 OF 11		



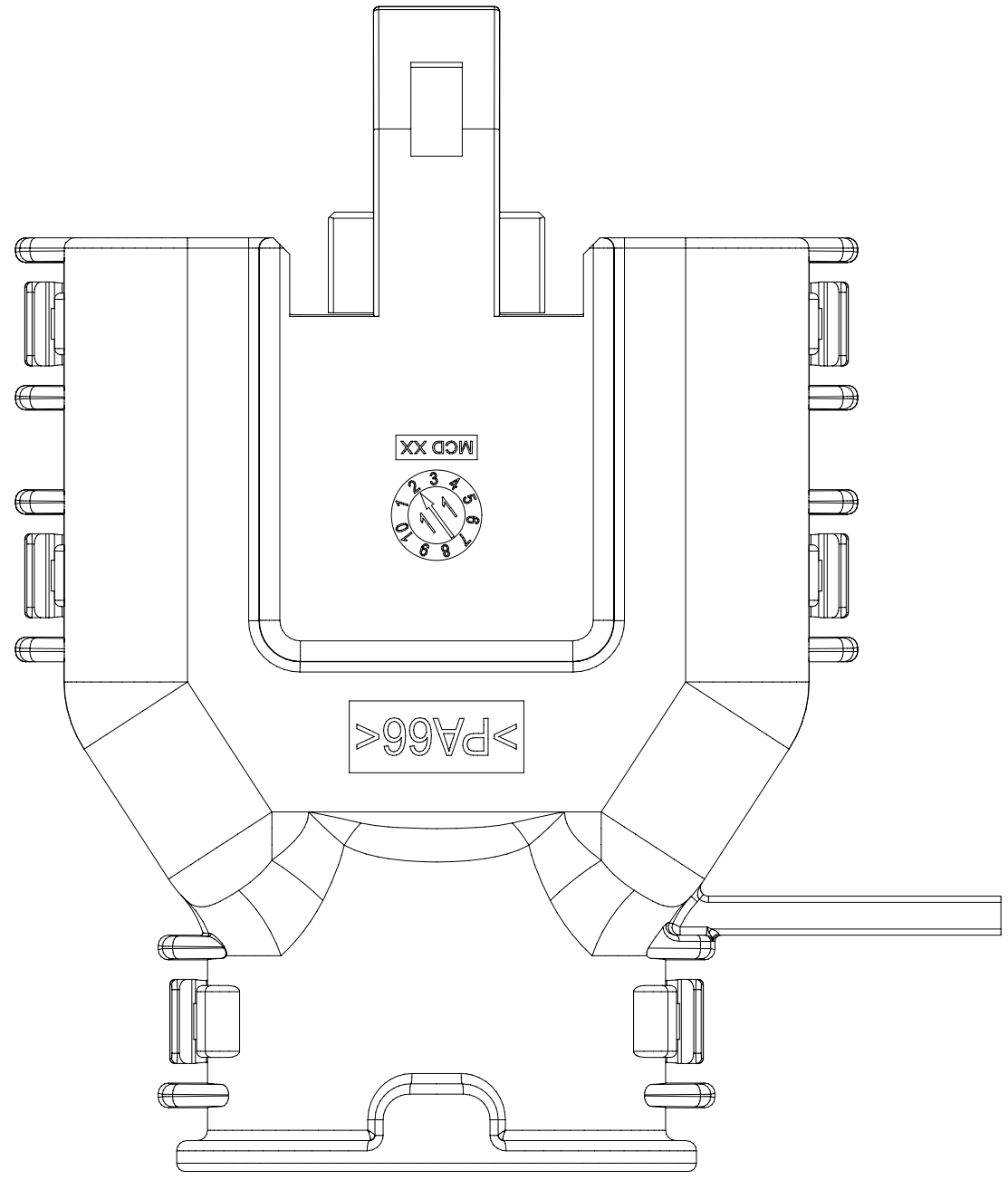
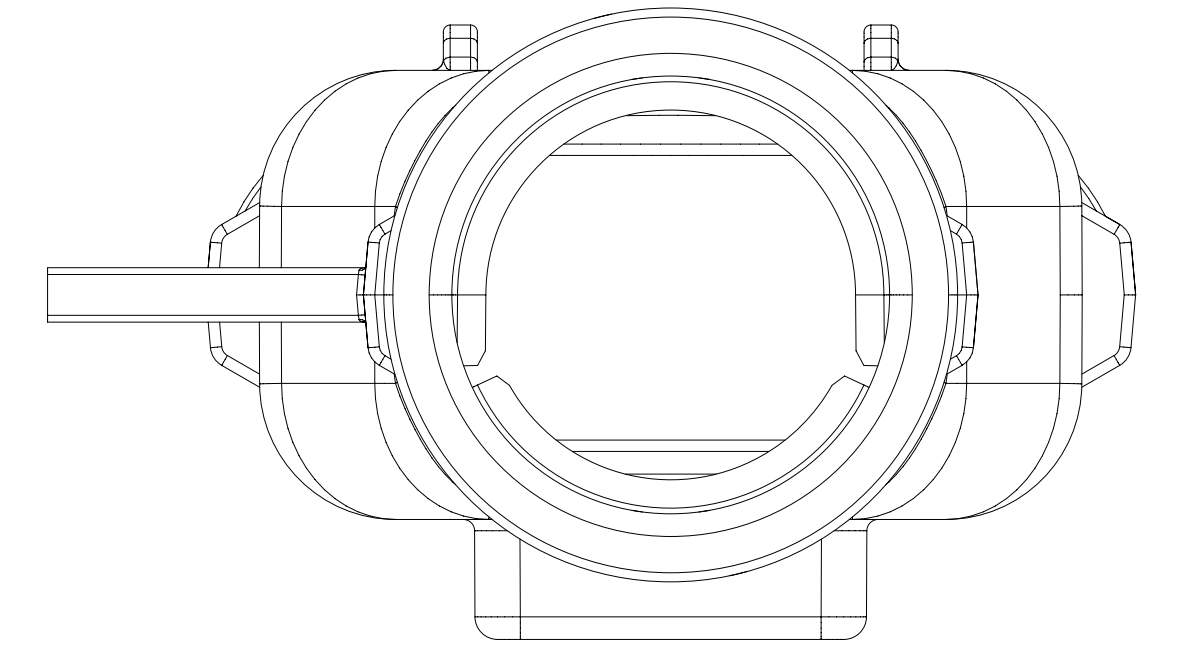
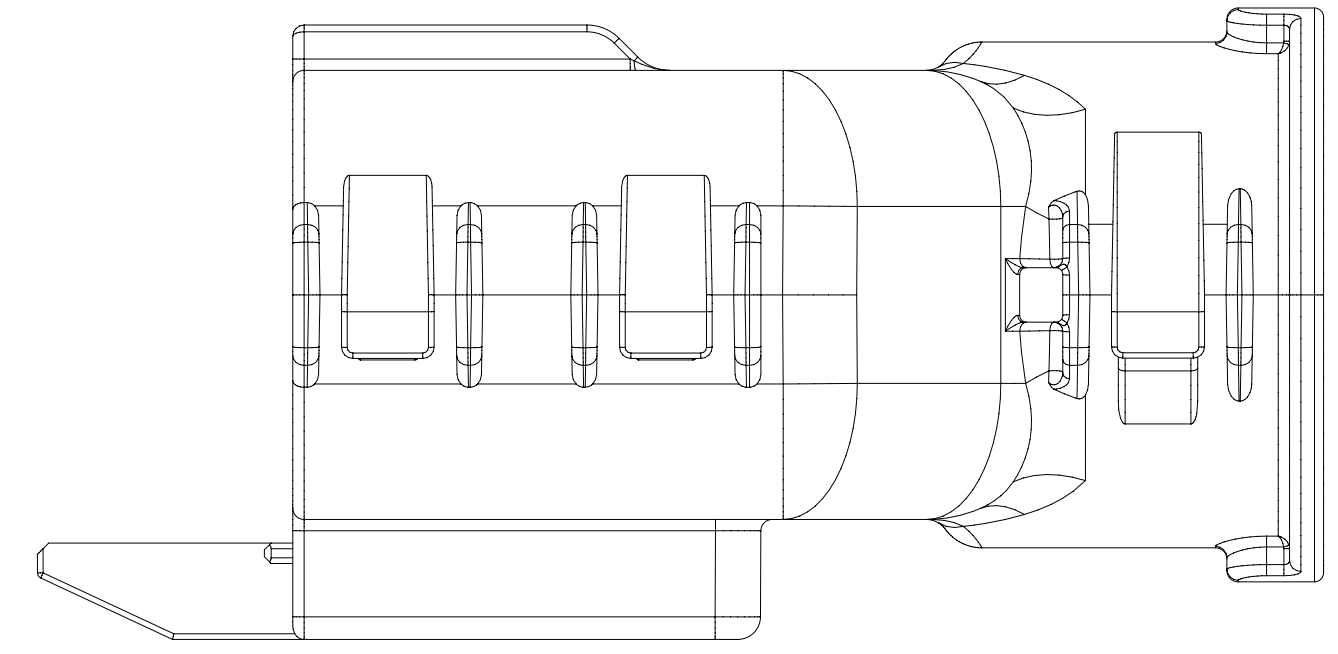
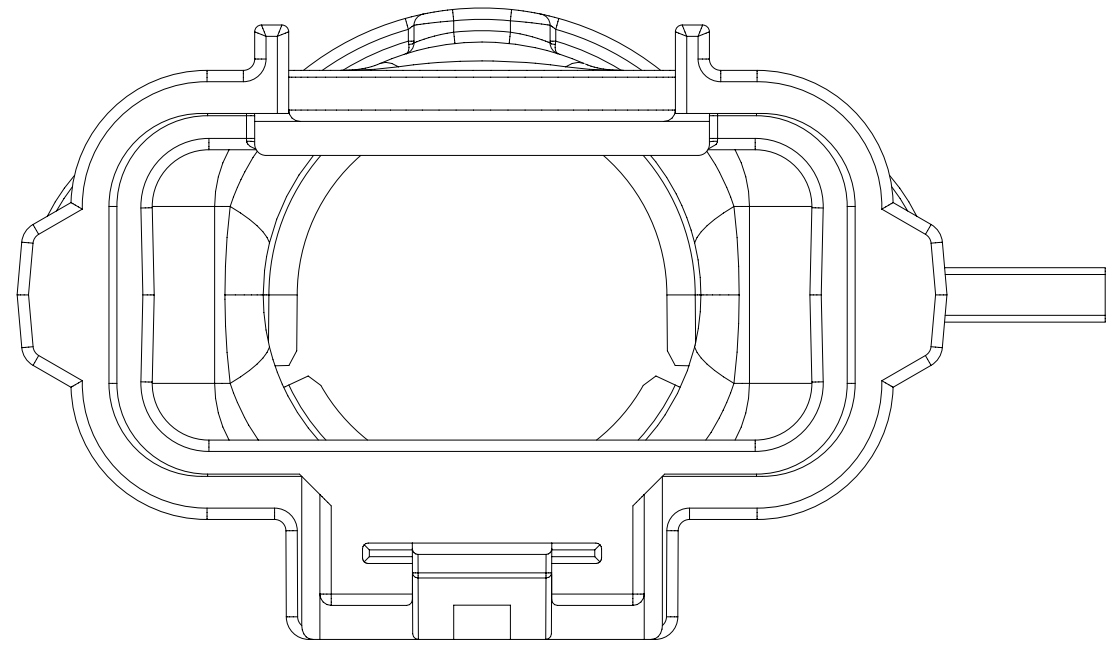
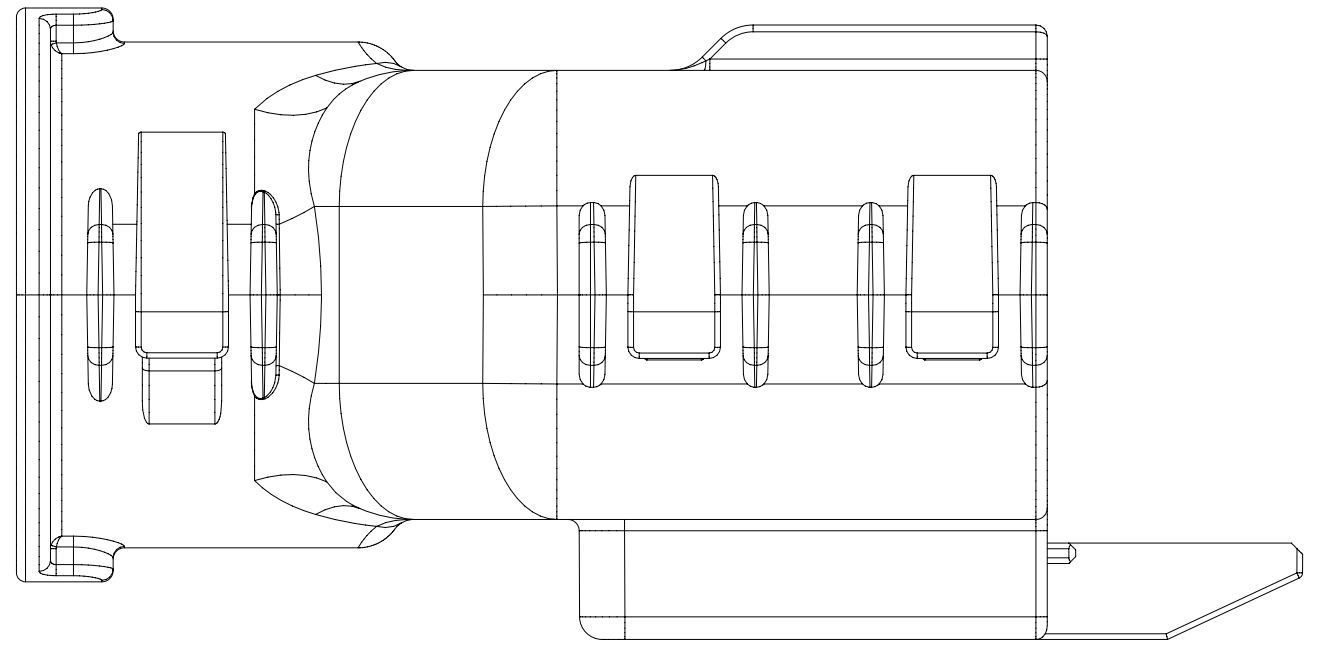






18 17 16 15 14 13 12 11 10 9 8 7 6 5 4 3 2 1

**SHEET DESCRIPTION**  
MOLEX BACKSHELL

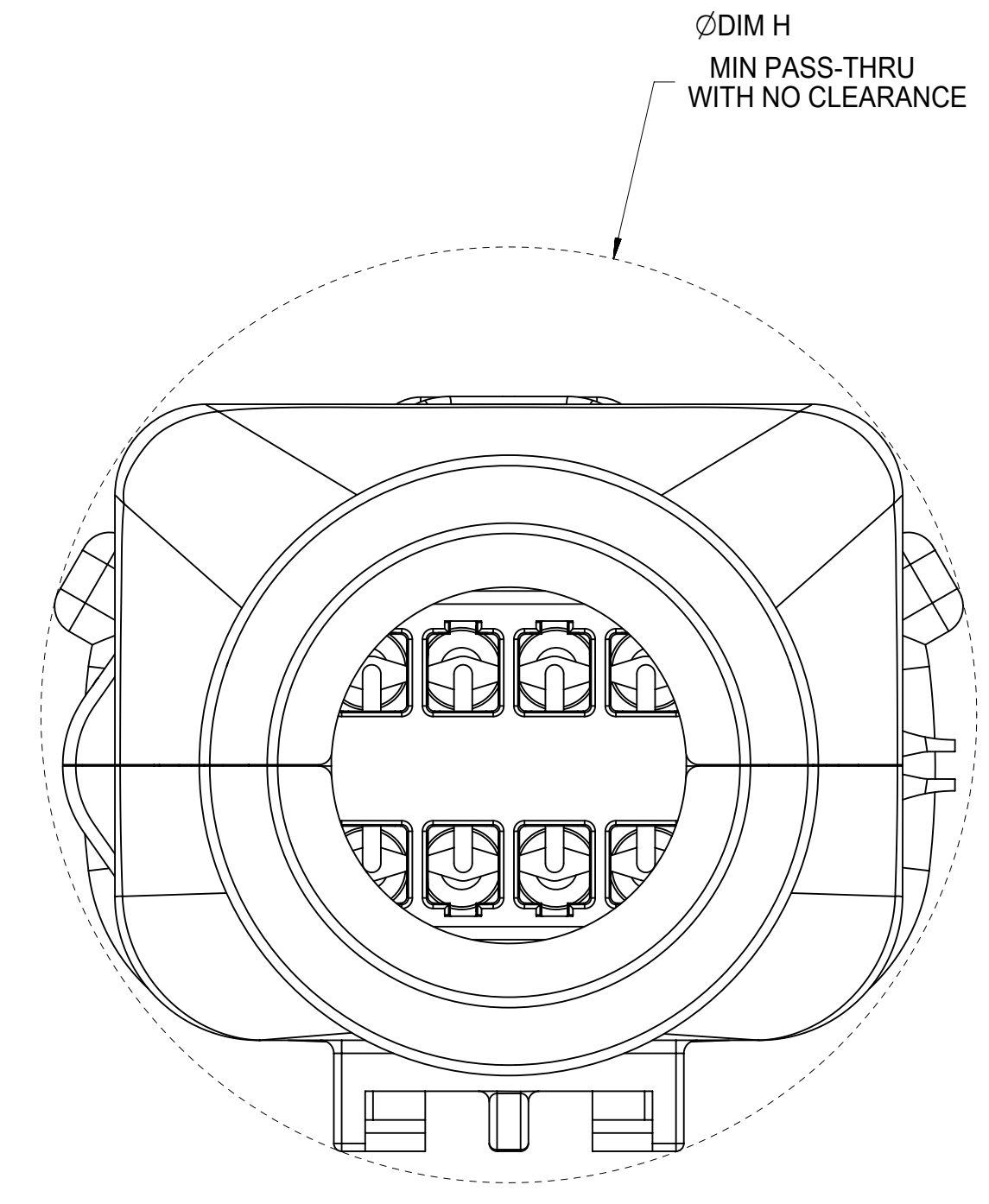
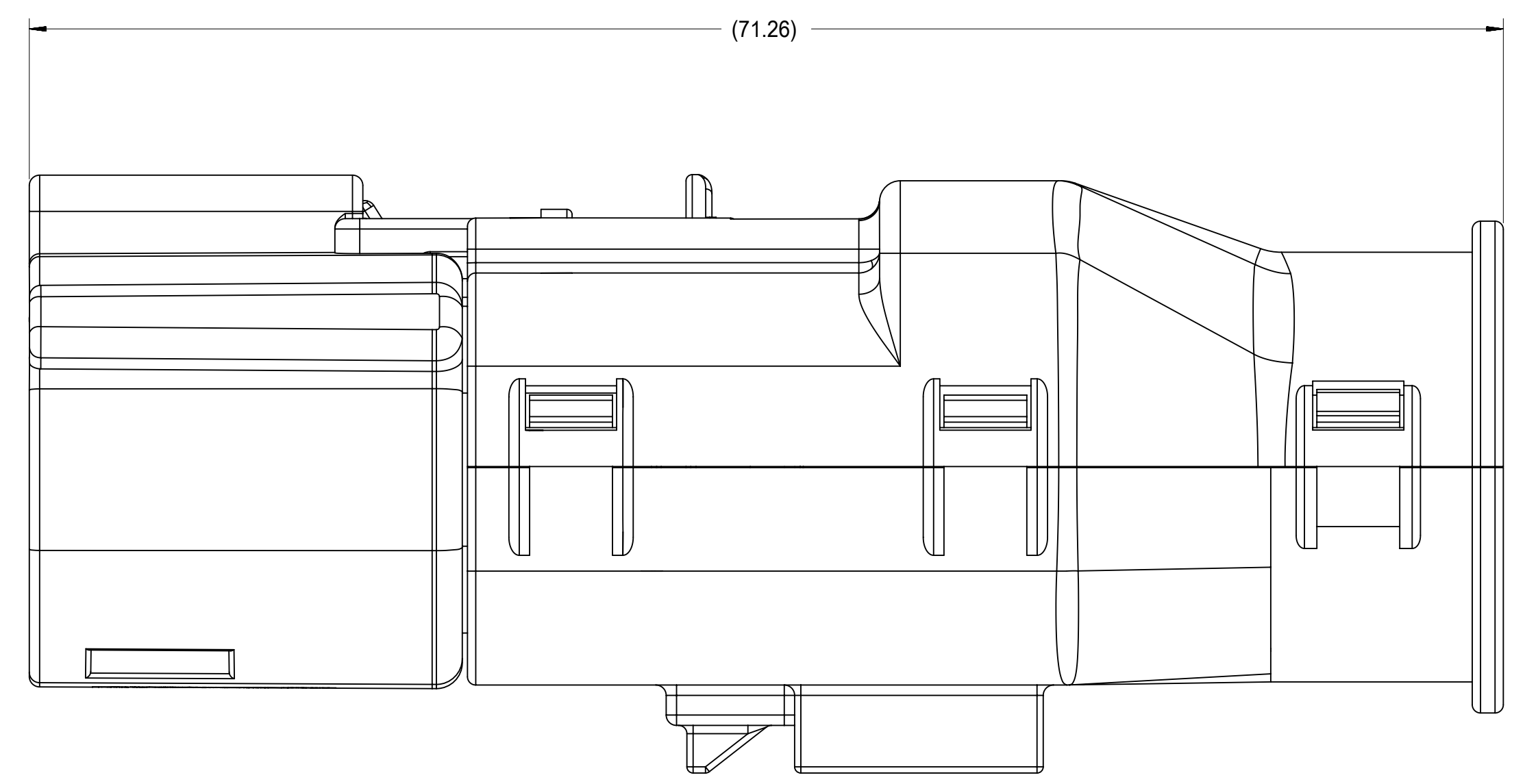


<b>SYMBOLS</b> = 0 	THIS DRAWING CONTAINS INFORMATION THAT IS PROPRIETARY TO MOLEX ELECTRONIC TECHNOLOGIES, LLC AND SHOULD NOT BE USED WITHOUT WRITTEN PERMISSION DIMENSION UNITS: <b>mm</b> SCALE: <b>3:1</b> GENERAL TOLERANCES (UNLESS SPECIFIED) ANGULAR TOL: ± 1.0° 4 PLACES ± 3 PLACES ± 2 PLACES ± 0.1 1 PLACE ± 0.2 0 PLACES ± DRAFT WHERE APPLICABLE MUST REMAIN WITHIN DIMENSIONS	CURRENT REV DESC: EC NO: 171650 DRWN: DDEB 2018/01/19 CHK'D: MVANSLAMBROU 2018/02/16 APPR: MVANSLAMBROU 2018/02/16 INITIAL REVISION: DRWN: APROFFITT 2014/05/14 APPR: VKOSHY 2014/06/27	 MX150 RCPT DUAL ROW SEALED ASSEMBLY MAT SEAL PRODUCT CUSTOMER DRAWING	
	DOCUMENT STATUS: P1 RELEASE DATE: 2018/02/16 22:02:25	THIRD ANGLE PROJECTION 	DRAWING: <b>A1-SIZE</b> SERIES: <b>33472</b>	DOCUMENT NUMBER: <b>SD-33472-0001</b> DOC TYPE: PSD DOC PART: 001 REVISION: C2 MATERIAL NUMBER: GENERAL MARKET CUSTOMER: GENERAL MARKET SHEET NUMBER: 8 OF 11

18 17 16 15 14 13 12 11 10 9 8 7 6 5 4 3 2 1

SHEET DESCRIPTION	
SCHLEMMER BACKSHELL CONFIGURATIONS	

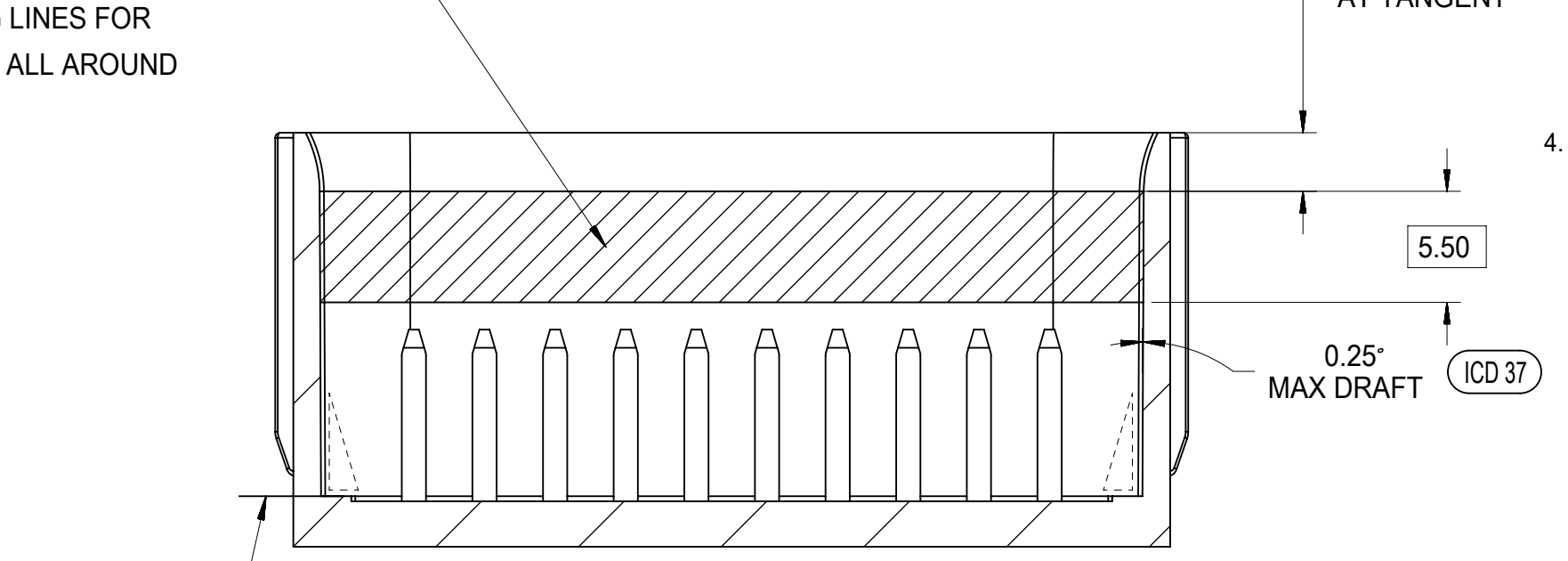
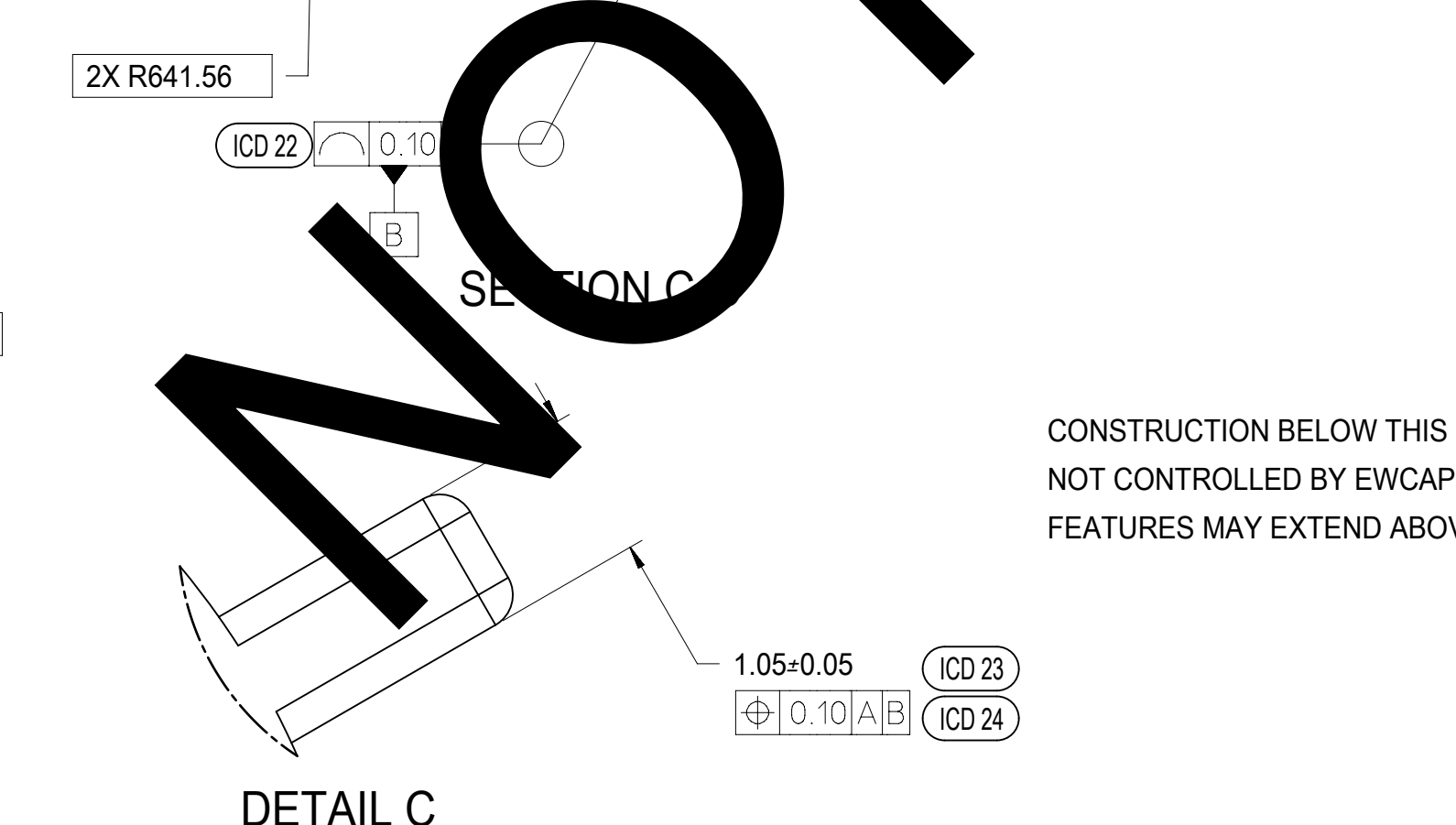
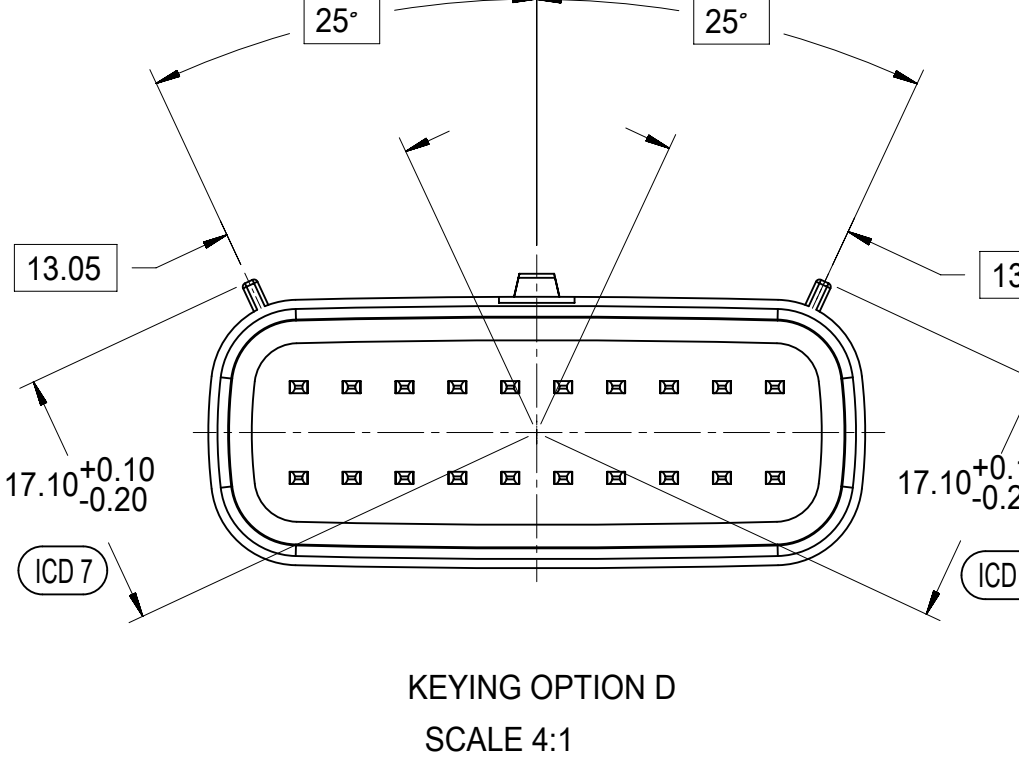
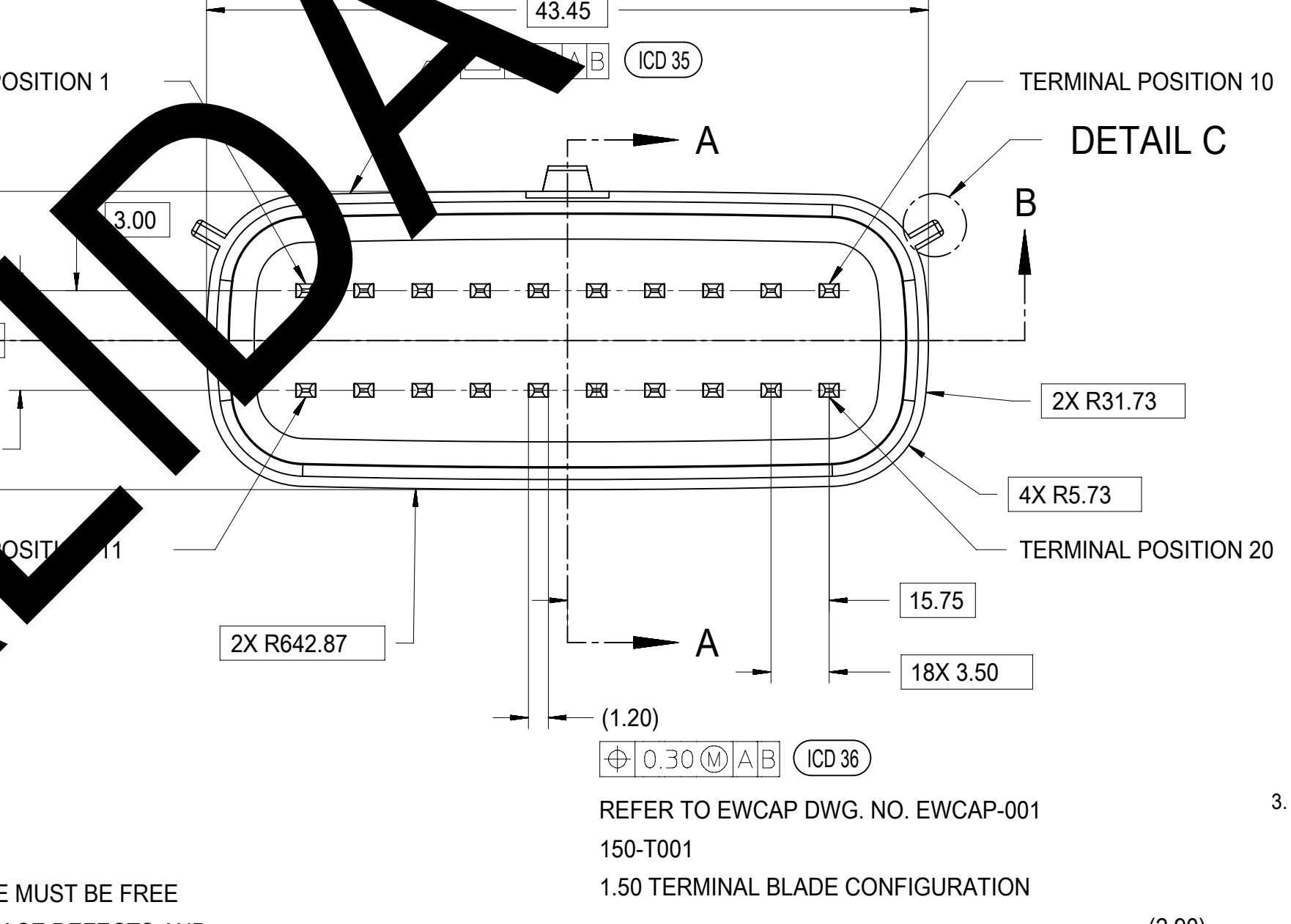
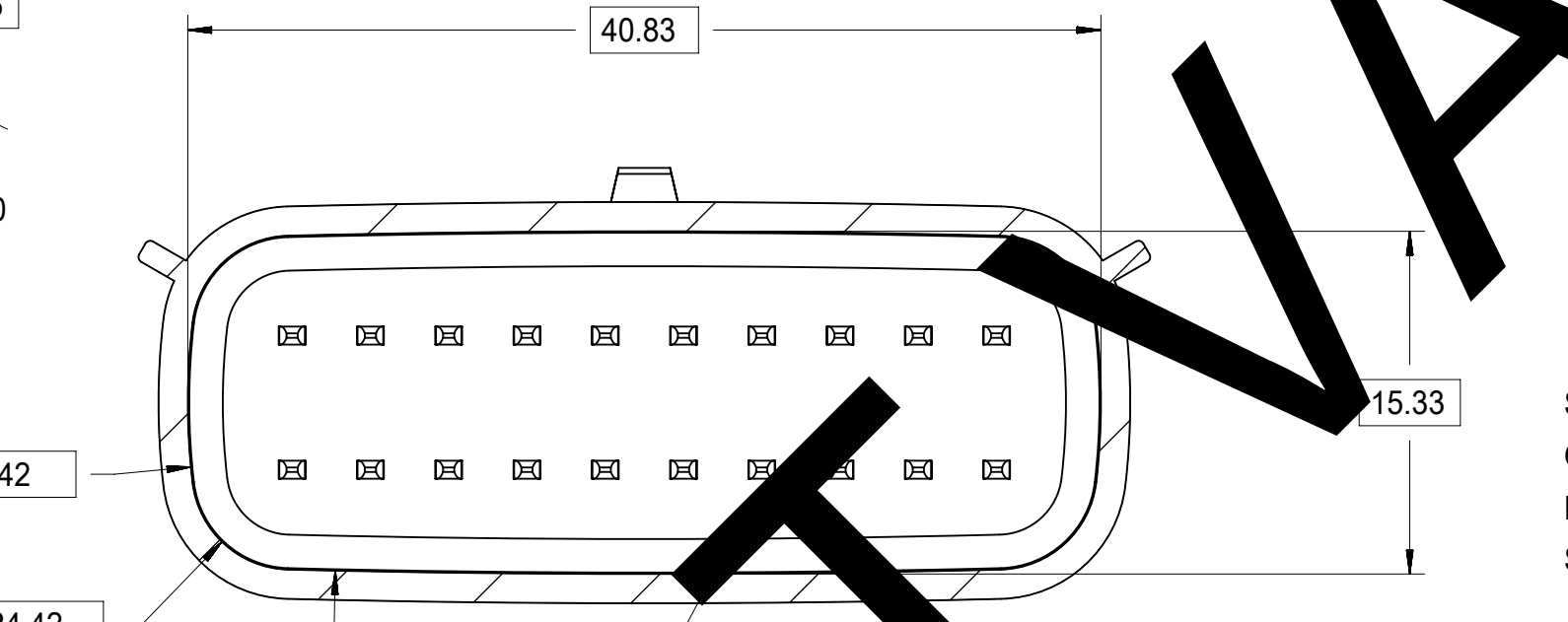
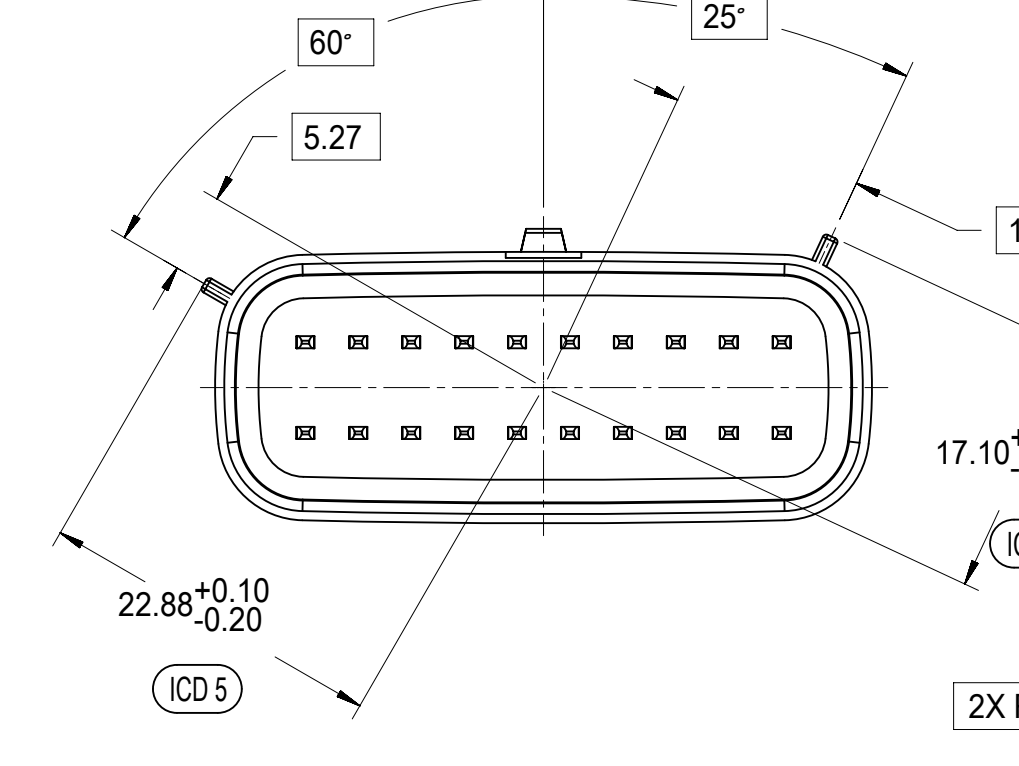
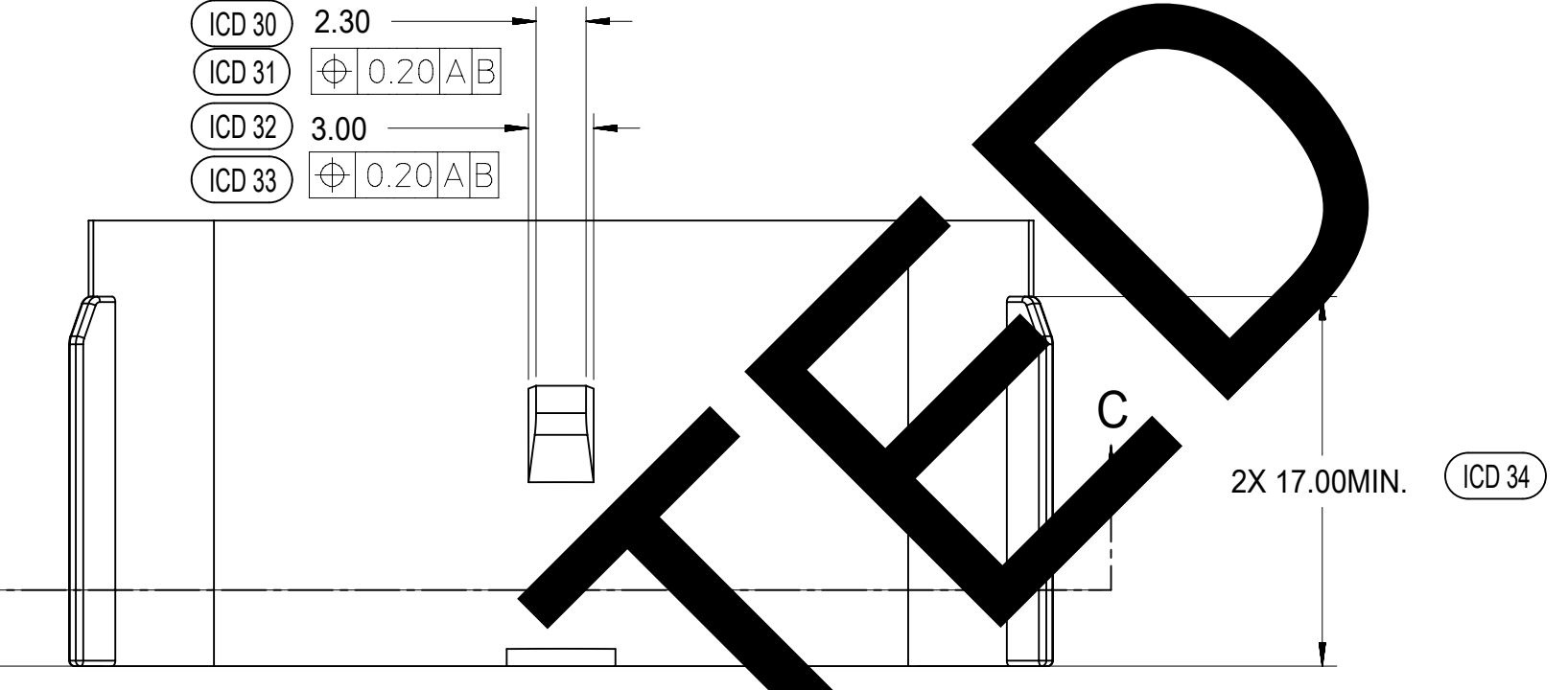
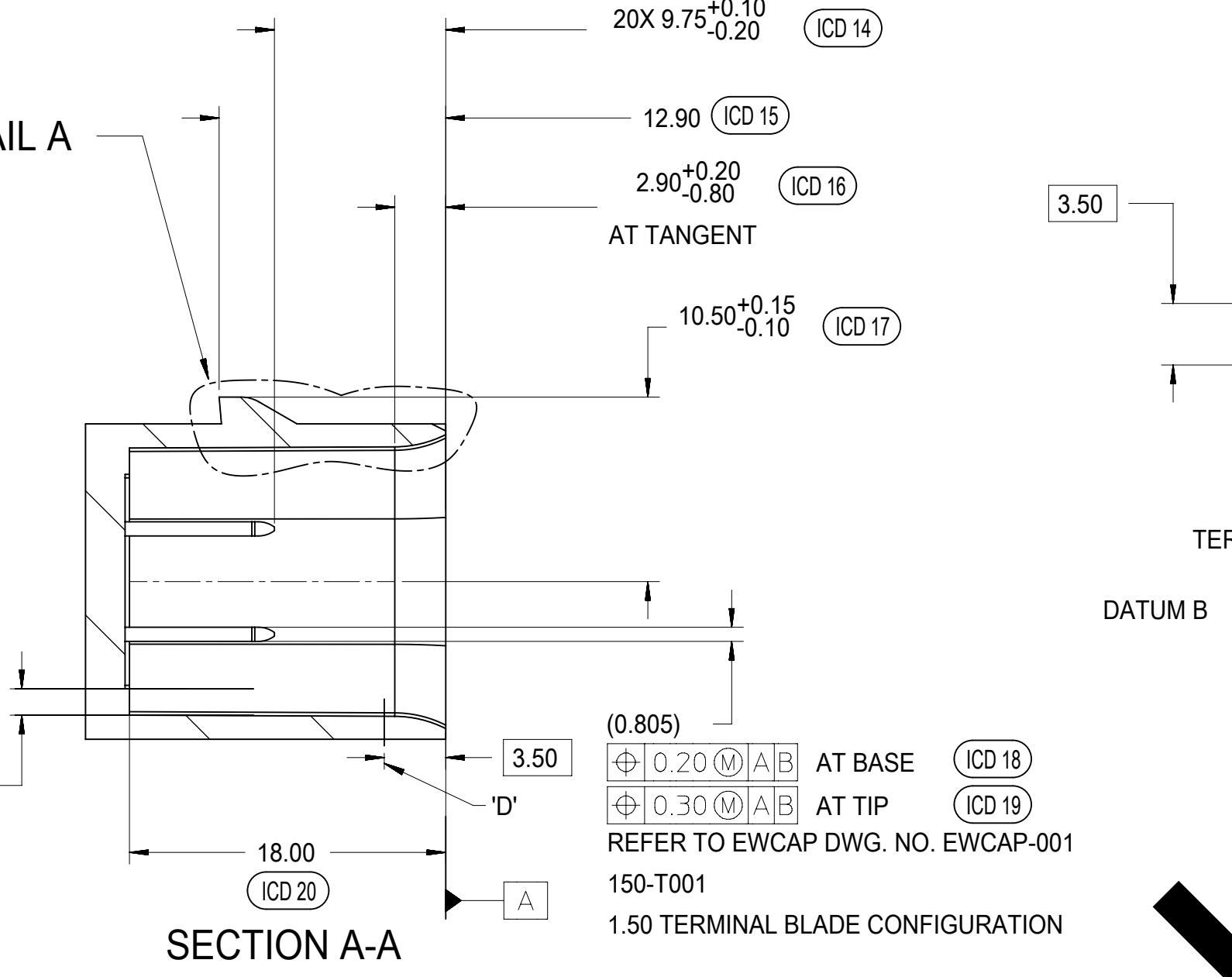
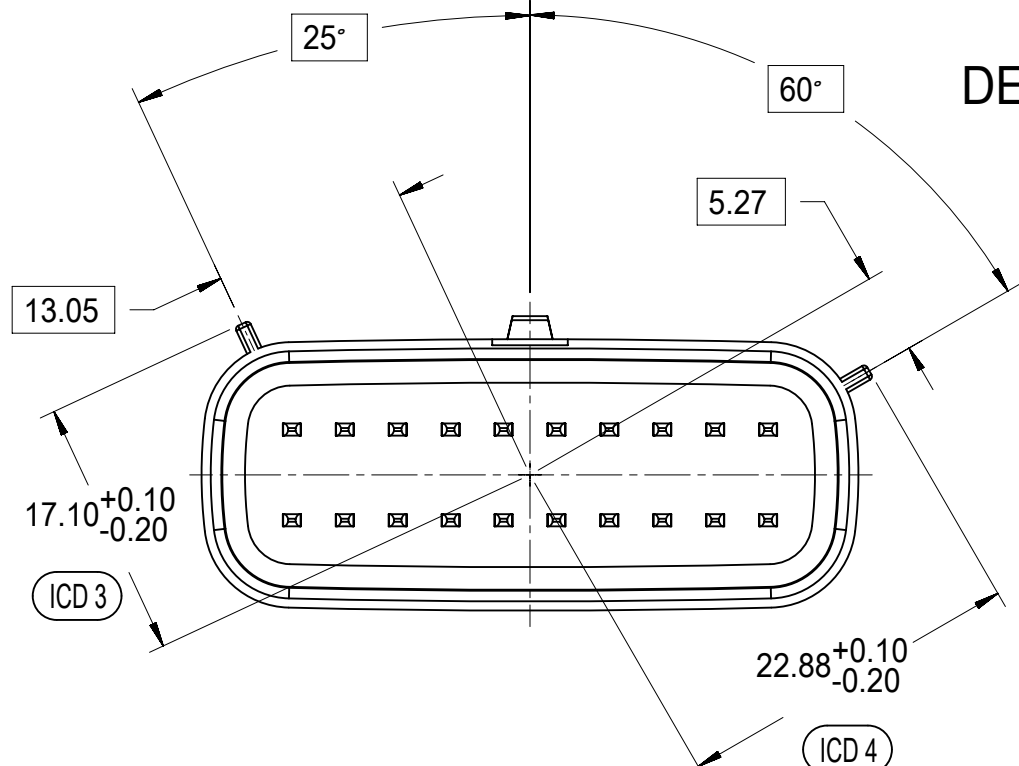
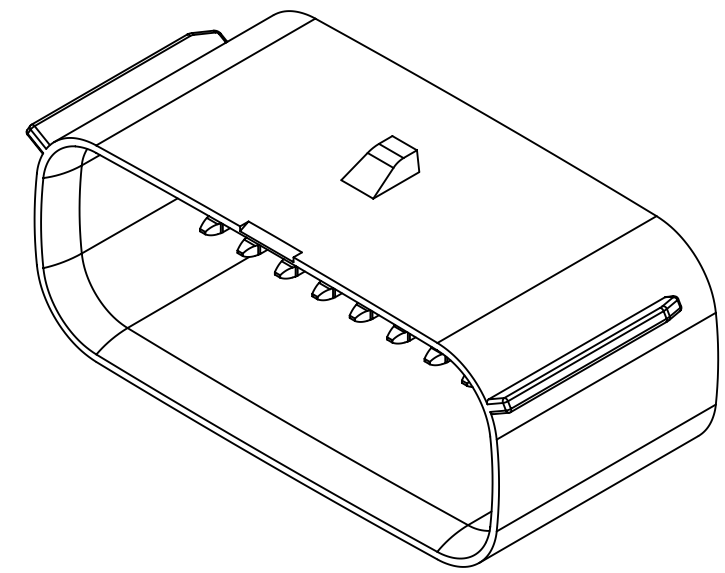
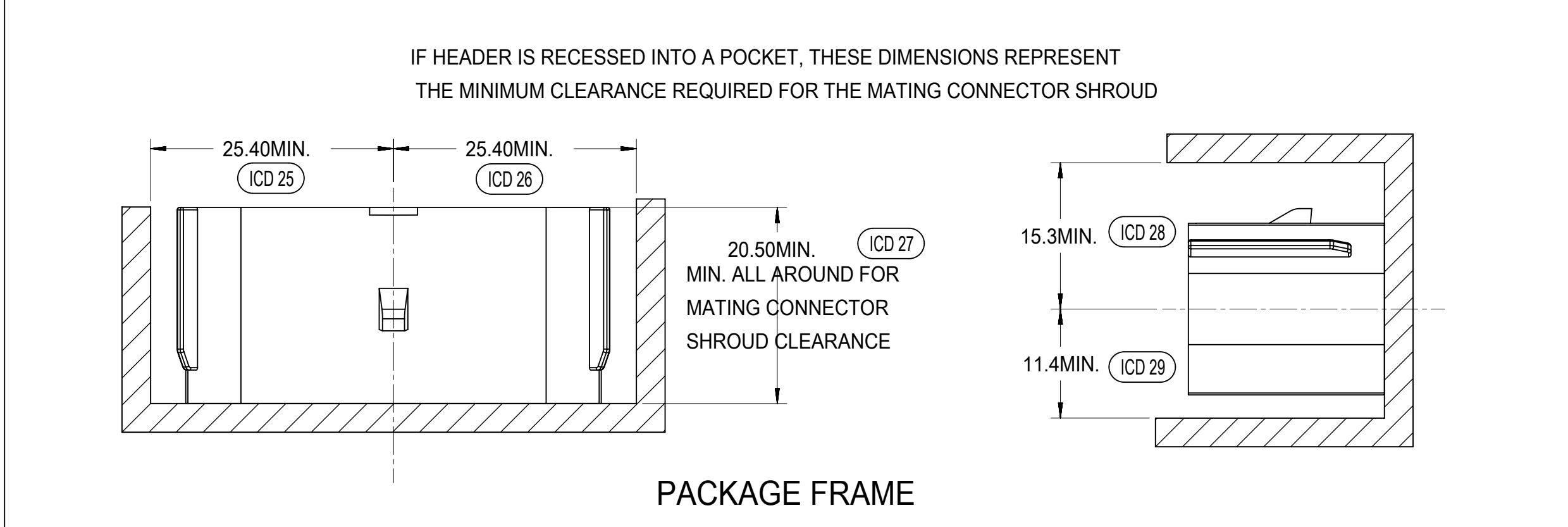
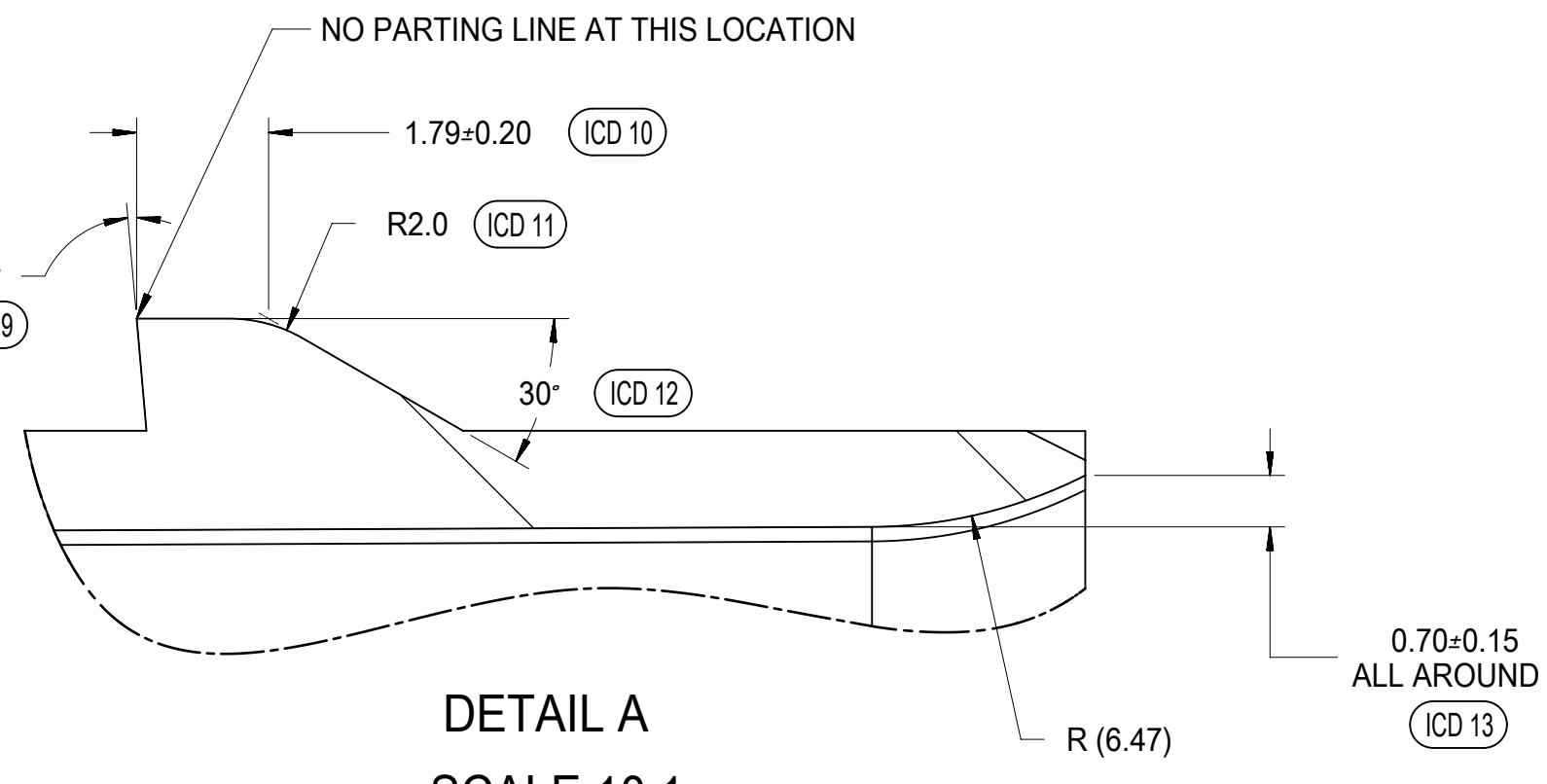
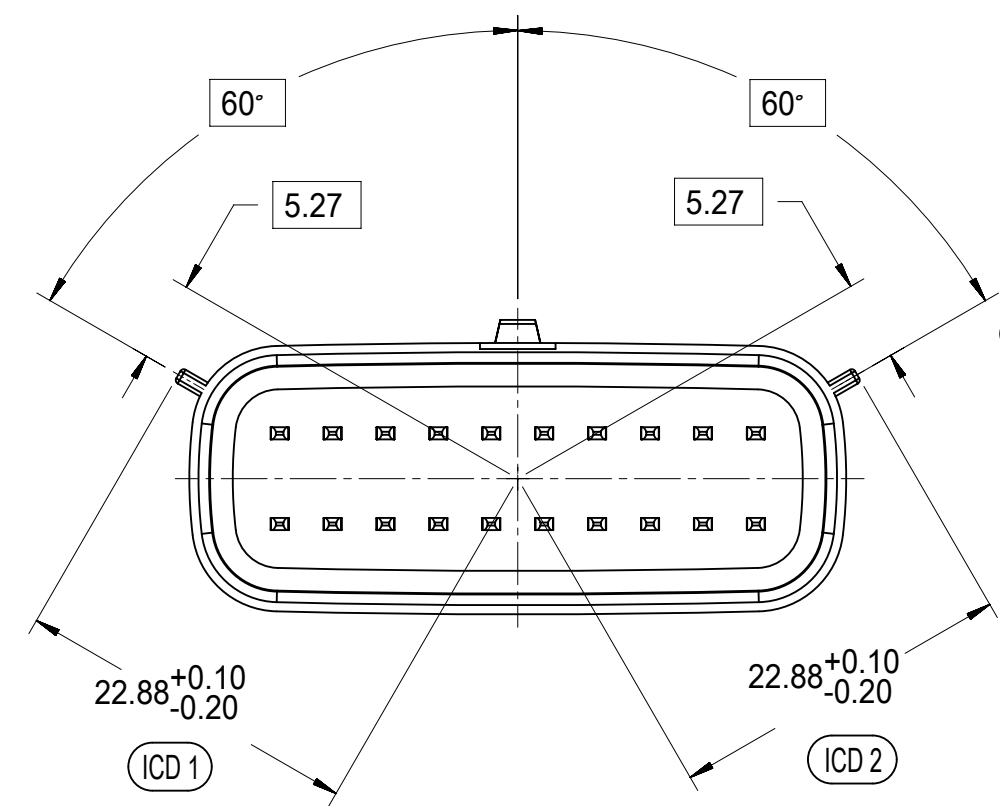
CHARTED DIMENSIONS	
DESCRIPTION	DIMENSIONS
	H
2X3 W/ CLIPSLOT	N/A
2X3 W/O CLIPSLOT	28.50
2X4 W/ CLIPSLOT	N/A
2X4 W/O CLIPSLOT	30.75
2X6 W/ CLIPSLOT	N/A
2X6 W/O CLIPSLOT	35.83



RECEPTACLE SEALED ASSEMBLY WITH RECEPTACLE BACKSHELL

<b>QUALITY SYMBOLS</b> FA = 0 FE = 0 FE = 0 ▼ = 0 C = 0 ☒ = 0 ■ = 0 ∇ = 0	THIS DRAWING CONTAINS INFORMATION THAT IS PROPRIETARY TO MOLEX ELECTRONIC TECHNOLOGIES, LLC AND SHOULD NOT BE USED WITHOUT WRITTEN PERMISSION										
	EC NO: 171650 DRWN: DDEB CHKD: MYANSLAMBROU APPR: MYANSLAMBROU	GENERAL TOLERANCES (UNLESS SPECIFIED) mm SCALE: 4:1		DIMENSION UNITS: mm SCALE: 4:1				<b>MX150 RCPT DUAL ROW SEALED ASSEMBLY MAT SEAL</b>			
		ANGULAR TOL ± 1.0 °		DRWN BY: APROFFITT DATE: 2014/05/14							
	4 PLACES ± 3 PLACES ± 2 PLACES ± 0.1 1 PLACE ± 0.2 0 PLACES ±		CHK'D BY: KBORUSZEWSKI DATE: 2014/06/16		APPR BY: VKOSHY DATE: 2014/06/27		PRODUCT CUSTOMER DRAWING				
DRAFT WHERE APPLICABLE MUST REMAIN WITHIN DIMENSIONS		DRAWING SIZE: A1 THIRD ANGLE PROJECTION		SERIES: 33472 MATERIAL NUMBER:		CUSTOMER: GENERAL MARKET					
<b>C2</b>		DOCUMENT NUMBER: SD-33472-0001		DOC TYPE: PSD		DOC PART: 001		SHEET NUMBER: 9 OF 11			





MATING INTERFACE NOTES: VALID UNLESS OTHERWISE SPECIFIED

- GENERAL:
  - DESIGNED TO MATE WITH MOLEX CONNECTOR 33472-2XXX & 160008-0XXX & 160074-0XXX. A FULL SHROUD ON THE MATING CONNECTOR IS REQUIRED TO INSURE THAT THE CONNECTOR-HEADER POLARIZATION FEATURES (OPTIONS A THRU D) WILL FUNCTION. THE FULL SHROUD ALSO PREVENTS SCOOP DAMAGE TO THE HEADER PINS. REFER TO 'SAE/USCAR-12 CONNECTOR DESIGN GUIDE LINES' FOR ADDITIONAL INFORMATION.
  - PARTS MUST BE IN COMPLIANCE TO MOLEX CHEMICAL SUBSTANCES FOR PRODUCTS AND PACKAGING SPECIFICATION: ES-40000-5016
  - FLAMMABILITY REQUIREMENT: PER ISO3795 OR GM3191
    - BURN RATE 100mm/MIN MAXIMUM
    - MATERIAL MUST BE SELF EXTINGUISHING
- MATERIALS:
  - MATERIAL: SPS/NYLON GF20, REGRIND 20% MAX BY WEIGHT
  - STANDARD COLORS FOR POLARIZATION (SEE KEYING OPTIONS TABLE). DEVIATION REQUIRES APPROVAL OF AUTHORIZED PERSON
  - FOR BLADE BASE MATERIAL, PLATING AND PROCESS LUBRICANT:
    - TIN: - BASE MATERIAL: COPPER ALLOY, CONDUCTIVITY >=60% IACS AT 20°C; TENSILE STRENGTH >= 410 N/mm<sup>2</sup> P - BARRIER MATERIAL: NICKEL DEPOSIT FROM NICKEL SULFAMATE PLATING SOLUTION W/O ANY ADDITIVES THICKNESS: 1.25 - 2.25 MICROMETERS - TOP LAYER: 100% ELECTRO-DEPOSITED TIN, MATTE FINISH THICKNESS: 2.5 - 4.0 MICROMETERS
    - SILVER: - BARRIER MATERIAL: ELECTRO-DEPOSITED DUCTILE SULPHAMATE NICKEL THICKNESS: 1.25 - 2.25 MICROMETERS - TOP LAYER: ELECTRO-DEPOSITED SEMI-BRIGHT PURE SILVER (0.5% MAX IMPURITIES) OVER NICKEL ANTI-TARNISH TREATMENT EVERBRIGHT WS THICKNESS: 1.9 - 3.3 MICROMETERS
  - BLADES MUST CONFORM TO ES-40000-5007, EXCEPT FOR SPECULAR REFLECTIVITY - SECTION 6.0
  - ANY PROCESS LUBRICANT REMAINING ON THE TERMINAL MUST NOT VARNISH OR DEGRADE IT'S ELECTRICAL PERFORMANCE UP TO A MAXIMUM CLASS AMBIENT TEMPERATURE PER SAE USCAR-2 FOR 1008 HOURS, PROCESS LUBRICANTS SHOULD BE APPROVED BY THE RESPONSIBLE ENGINEER.
  - INFORMATION FOR BLADE DESIGN WAS DEVELOPED FROM EWCAP DWG: EWCAP-001
- GEOMETRY:
  - THIS IS A 100% CAD GENERATED PART. THE CAD MATHEMATICAL DATA IS THE MASTER FOR THIS PART. FOR DIMENSIONAL OR ANY INFORMATION NOT SHOWN ON THIS DRAWING, ANALYZE THE CAD MODEL.
  - GEOMETRIC DIMENSIONS AND TOLERANCES PER ASME Y14.5M - 1994
  - GENERAL TOLERANCES: SEE TITLE BLOCK
  - EDGES AND UNDIMENSIONED DETAILS PER ISO13715
- MANUFACTURING:
  - DRAFT TO BE WITHIN TOLERANCE. PLUS DRAFT - INDICATES A DIMENSION REPRESENTS THE SMALLEST SIZE OF A FEATURE. DRAFT WILL ADD MATERIAL. MINUS DRAFT - INDICATES A DIMENSION REPRESENTS THE LARGEST SIZE OF A FEATURE. DRAFT WILL REMOVE MATERIAL.
  - ALLOWABLE FLASH MAX 0.20 HIGH BY MAX 0.13 THICK.
  - ALLOWABLE SPLIT/PARTING LINE MISMATCH 0.2 MAX.
  - VISUAL DEFECTS SHALL MEET COSMETIC STANDARD PS-45499-002 (Class B)
  - NO EXTERNAL MOLD RELEASE AGENT ALLOWED DURING MANUFACTURING
  - NO PARTING LINES, NO DRAFT, MISMATCHES OR EJECTOR MARKS PERMISSIBLE WITHIN SEALING SURFACE. SEALING SURFACE TOOLING TO BE PROCESSED TO SURFACE FINISH OF NITRA #700 PAPER MINIMUM.

NOT VALIDATED

SYMBOLS		THIS DRAWING CONTAINS INFORMATION THAT IS PROPRIETARY TO MOLEX ELECTRONIC TECHNOLOGIES, LLC AND SHOULD NOT BE USED WITHOUT WRITTEN PERMISSION		CURRENT REV DESC.	
▽ = 0	0	DIMENSION UNITS	SCALE	EC NO:	171650
▽ = 0	0	mm	1:1	DRWN:	DDEB 2018/01/19
▽ = 0	0	GENERAL TOLERANCES (UNLESS SPECIFIED)		CHK'D:	MVANSLAMBROU 2018/02/16
▽ = 0	0	ANGULAR TOL ± 1.0°		APPR:	MVANSLAMBROU 2018/02/16
▽ = 0	0	4 PLACES ±		INITIAL REVISION:	
▽ = 0	0	3 PLACES ±		DRWN:	APROFFITT 2014/05/14
▽ = 0	0	2 PLACES ± 0.1		APPR:	VKOSHY 2014/06/27
▽ = 0	0	1 PLACE ± 0.2		THIRD ANGLE PROJECTION	
▽ = 0	0	0 PLACES ±		DRAWING	
▽ = 0	0	DRAFT WHERE APPLICABLE MUST REMAIN WITHIN DIMENSIONS		SERIES	
				A1-SIZE	
				33472	
				MATERIAL NUMBER	
				CUSTOMER	
				GENERAL MARKET	
				SHEET NUMBER	
				11 OF 11	

150-S-020-2-D02	D	STONE GRAY
150-S-020-2-C02	C	DK GRAY
150-S-020-2-B02	B	LT GRAY
150-S-020-2-A02	A	BLACK
PIN	OPTION	MATING CONNECTOR COLOR
DOCUMENT STATUS	P1	RELEASE DATE
		2018/02/16 22:02:25

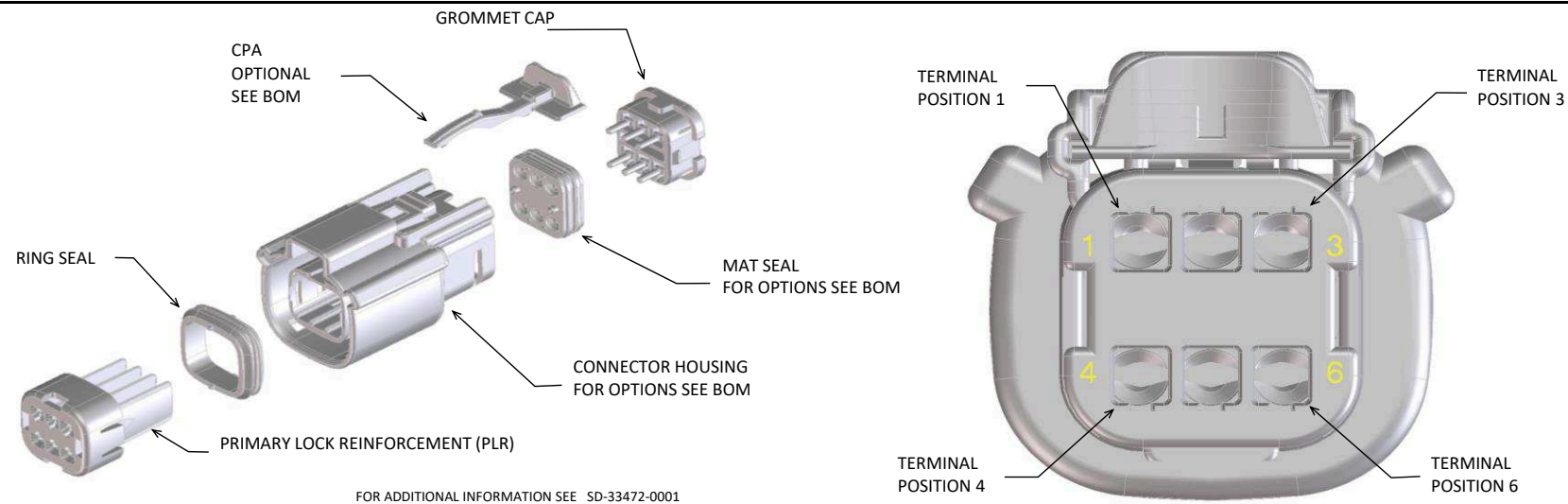
DETAIL C SCALE 20:1  
APPLIES 2X  
SEE KEYING OPTION VIEWS FOR POSITIONS







MX150 RECEPTACLE 2X3 SEALED ASSEMBLY MAT SEAL  
BOM AND PIN OUT SHEET



FOR ADDITIONAL INFORMATION SEE SD-33472-0001

ABBREVIATION	DESCRIPTION	COLOR	MATERIAL
A-BLK	HOUSING, KEYING OPTION A	BLACK	SPS/NYLON GF20
B-LG	HOUSING, KEYING OPTION B	LIGHT GRAY	SPS/NYLON GF20
C-BR	HOUSING, KEYING OPTION C	BROWN	SPS/NYLON GF20
D-GR	HOUSING, KEYING OPTION D	GREEN	SPS/NYLON GF20
C-DG	HOUSING, KEYING OPTION C	DARK GRAY	SPS/NYLON GF20
D-SG	HOUSING, KEYING OPTION D	STONE GRAY	SPS/NYLON GF20
A-YW	HOUSING, KEYING OPTION A	YELLOW	SPS/NYLON GF20
A-BLK-CLIP	HOUSING, KEYING OPTION A WITH CLIPSLOT	BLACK	SPS/NYLON GF20
B-LG-CLIP	HOUSING, KEYING OPTION B WITH CLIPSLOT	LIGHT GRAY	SPS/NYLON GF20
C-BR-CLIP	HOUSING, KEYING OPTION C WITH CLIPSLOT	BROWN	SPS/NYLON GF20
D-GR-CLIP	HOUSING, KEYING OPTION D WITH CLIPSLOT	GREEN	SPS/NYLON GF20
C-DG-CLIP	HOUSING, KEYING OPTION C WITH CLIPSLOT	DARK GRAY	SPS/NYLON GF20
D-SG-CLIP	HOUSING, KEYING OPTION D WITH CLIPSLOT	STONE GRAY	SPS/NYLON GF20
A-SG-CLIP	HOUSING, KEYING OPTION A WITH CLIPSLOT	YELLOW	SPS/NYLON GF20
GC	GROMMET CAP	BLACK	SPS/NYLON GF20
PLR	PLR	NATURAL	SPS/NYLON GF20
CPA	CPA	RED	PBT GF30
M	MAT SEAL	LIGHT BLUE	INHERENTLY LUBRICATED SILICONE
R	RING SEAL	RUST RED	INHERENTLY LUBRICATED SILICONE

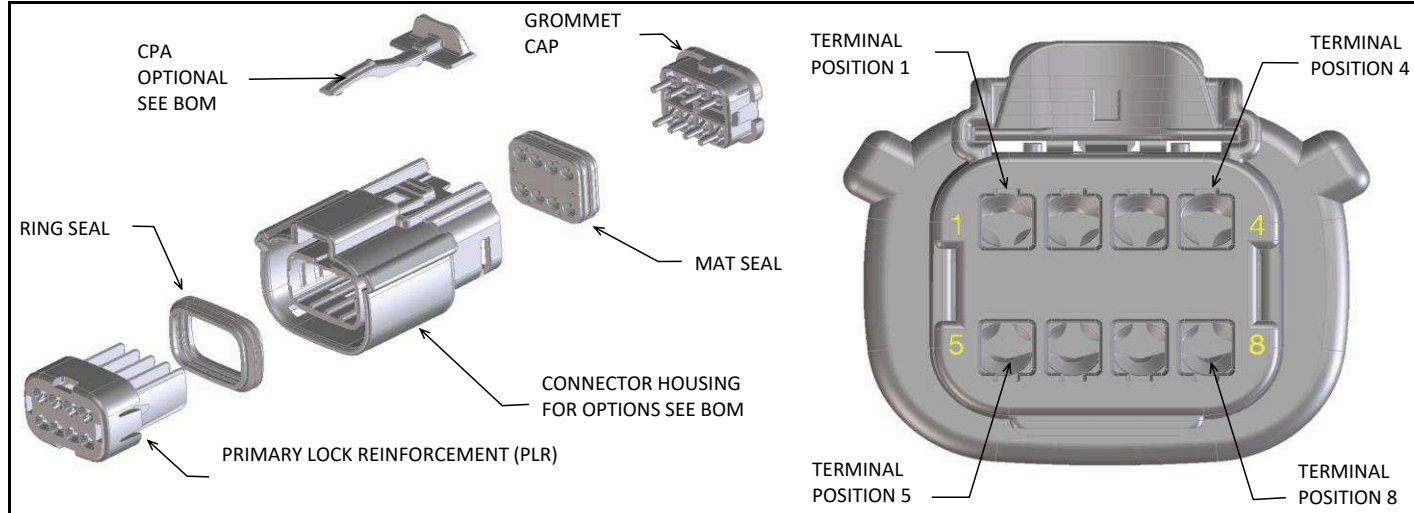
ASSEMBLY DESCRIPTION	ASSEMBLY PART NUMBER	COMPONENT						BLOCKED TERMINALS						STATUS	COMMENTS	OPTIONAL ATTACHMENTS SOLD SEPERATELY		
		THE PRESENCE OF AN ABBREVIATION INDICATES THE PRESENCE OF THAT COMPONENT.						CAVITY WITH A NUMBER INDICATES BLOCKED TERMINAL POSITION CAVITY WITHOUT A NUMBER INDICATES OPEN TERMINAL POSITION								BACKSHELL WITH RIBS	BACKSHELL WITHOUT RIBS	
		HOUSING KEY/COLOR	GROMMET CAP	PLR	CPA	MAT SEAL	RING SEAL	1	2	3	4	5	6					
KEY A, BLACK, W/O CPA	33472-0601	A-BLK	GC	PLR		M	R								SALEABLE		34951-0610	34951-0620
KEY B, LIGHT GRAY, W/O CPA	33472-0602	B-LG	GC	PLR		M	R								SALEABLE		34951-0610	34951-0620
KEY C, BROWN, W/O CPA	33472-0603	C-BR	GC	PLR		M	R								NOT RECOMMENDED	SEE P/N 33472-0668	34951-0610	34951-0620
KEY D, GREEN, W/O CPA	33472-0604	D-GR	GC	PLR		M	R								NOT RECOMMENDED	SEE P/N 33472-0669	34951-0610	34951-0620
VOID KEY	33472-0605																	
KEY A, BLACK, W/CPA	33472-0606	A-BLK	GC	PLR	CPA	M	R								SALEABLE		34951-0610	34951-0620
KEY B, LIGHT GRAY, W/CPA	33472-0607	B-LG	GC	PLR	CPA	M	R								SALEABLE		34951-0610	34951-0620
KEY C, BROWN, W/CPA	33472-0608	C-BR	GC	PLR	CPA	M	R								NOT RECOMMENDED	SEE P/N 33472-0670	34951-0610	34951-0620
KEY D, GREEN, W/CPA	33472-0609	D-GR	GC	PLR	CPA	M	R								NOT RECOMMENDED	SEE P/N 33472-0671	34951-0610	34951-0620
VOID KEY	33472-0610																	
KEY A, BLACK, W/O CPA	33472-0611	A-BLK	GC	PLR		M	R			3					SALEABLE	SAME AS P/N 33472-0658	34951-0610	34951-0620
KEY B, LIGHT GRAY, W/O CPA	33472-0612	B-LG	GC	PLR		M	R			3					SALEABLE		34951-0610	34951-0620
KEY C, BROWN, W/O CPA	33472-0613	C-BR	GC	PLR		M	R			3					NOT RECOMMENDED		34951-0610	34951-0620
KEY D, GREEN, W/O CPA	33472-0614	D-GR	GC	PLR		M	R			3					NOT RECOMMENDED		34951-0610	34951-0620
VOID KEY	33472-0615																	
KEY A, BLACK, W/CPA	33472-0616	A-BLK	GC	PLR	CPA	M	R			3					SALEABLE		34951-0610	34951-0620
KEY B, LIGHT GRAY, W/CPA	33472-0617	B-LG	GC	PLR	CPA	M	R			3					SALEABLE		34951-0610	34951-0620
KEY C, BROWN, W/CPA	33472-0618	C-BR	GC	PLR	CPA	M	R			3					NOT RECOMMENDED		34951-0610	34951-0620
KEY D, GREEN, W/CPA	33472-0619	D-GR	GC	PLR	CPA	M	R			3					NOT RECOMMENDED		34951-0610	34951-0620
VOID KEY	33472-0620																	
KEY A, BLACK, W/O CPA	33472-0621	A-BLK	GC	PLR		M	R			3	4				SALEABLE		34951-0610	34951-0620
KEY B, LIGHT GRAY, W/O CPA	33472-0622	B-LG	GC	PLR		M	R			3	4				SALEABLE		34951-0610	34951-0620
KEY C, BROWN, W/O CPA	33472-0623	C-BR	GC	PLR		M	R			3	4				NOT RECOMMENDED		34951-0610	34951-0620
KEY D, GREEN, W/O CPA	33472-0624	D-GR	GC	PLR		M	R			3	4				NOT RECOMMENDED		34951-0610	34951-0620
VOID KEY	33472-0625																	
KEY A, BLACK, W/CPA	33472-0626	A-BLK	GC	PLR	CPA	M	R			3	4				SALEABLE		34951-0610	34951-0620
KEY B, LIGHT GRAY, W/CPA	33472-0627	B-LG	GC	PLR	CPA	M	R			3	4				SALEABLE		34951-0610	34951-0620
KEY C, BROWN, W/CPA	33472-0628	C-BR	GC	PLR	CPA	M	R			3	4				NOT RECOMMENDED		34951-0610	34951-0620
KEY D, GREEN, W/CPA	33472-0629	D-GR	GC	PLR	CPA	M	R			3	4				NOT RECOMMENDED		34951-0610	34951-0620
VOID KEY	33472-0630																	
KEY A, BLACK, W/O CPA, W/O MAT SEAL	33472-0631	A-BLK	GC	PLR			R								PLANNED OBSOLESCENCE	NOT VALIDATED	34951-0610	34951-0620
KEY B, LIGHT GRAY, W/O CPA, W/O MAT SEAL	33472-0632	B-LG	GC	PLR			R								PLANNED OBSOLESCENCE	NOT VALIDATED	34951-0610	34951-0620
KEY C, BROWN, W/O CPA, W/O MAT SEAL	33472-0633	C-BR	GC	PLR			R								PLANNED OBSOLESCENCE	NOT VALIDATED	34951-0610	34951-0620
KEY D, GREEN, W/O CPA, W/O MAT SEAL	33472-0634	D-GR	GC	PLR			R								PLANNED OBSOLESCENCE	NOT VALIDATED	34951-0610	34951-0620
VOID KEY	33472-0635																	
KEY A, BLACK, W/O CPA	33472-0636	A-BLK	GC	PLR		M	R	1	2	3	4	5	6		SALEABLE		34951-0610	34951-0620
KEY B, LIGHT GRAY, W/O CPA	33472-0637	B-LG	GC	PLR		M	R	1	2	3	4	5	6		SALEABLE		34951-0610	34951-0620
KEY C, BROWN, W/O CPA	33472-0638	C-BR	GC	PLR		M	R	1	2	3	4	5	6		NOT RECOMMENDED	SEE P/N 33472-0749	34951-0610	34951-0620
KEY D, GREEN, W/O CPA	33472-0639	D-GR	GC	PLR		M	R	1	2	3	4	5	6		NOT RECOMMENDED	SEE P/N 33472-0750	34951-0610	34951-0620
VOID KEY	33472-0640																	
KEY A, BLACK, W/O CPA	33472-0641	A-BLK	GC	PLR		M	R		2	3	4	5			SALEABLE		34951-0610	34951-0620
KEY A, BLACK, W/O CPA	33472-0642	A-BLK	GC	PLR		M	R			3	4				SALEABLE		34951-0610	34951-0620
KEY A, BLACK, W/CPA	33472-0643	A-BLK	GC	PLR	CPA	M	R	1		3	4				SALEABLE		34951-0610	34951-0620
KEY B, LIGHT GRAY, W/CPA	33472-0644	B-LG	GC	PLR	CPA	M	R	1		3	4				SALEABLE		34951-0610	34951-0620
KEY C, BROWN, W/CPA	33472-0645	C-BR	GC	PLR	CPA	M	R	1		3	4				NOT RECOMMENDED		34951-0610	34951-0620
KEY D, GREEN, W/CPA	33472-0646	D-GR	GC	PLR	CPA	M	R	1		3	4				NOT RECOMMENDED		34951-0610	34951-0620
VOID KEY	33472-0647																	
KEY A, BLACK, W/O CPA	33472-0648	A-BLK	GC	PLR		M	R	1		3	4		6		SALEABLE		34951-0610	34951-0620
KEY B, LIGHT GRAY, W/O CPA	33472-0649	B-LG	GC	PLR		M	R	1		3	4		6		SALEABLE		34951-0610	34951-0620
KEY C, BROWN, W/O CPA	33472-0650	C-BR	GC	PLR		M	R	1		3	4		6		NOT RECOMMENDED		34951-0610	34951-0620
KEY D, GREEN, W/O CPA	33472-0651	D-GR	GC	PLR		M	R	1		3	4		6		NOT RECOMMENDED		34951-0610	34951-0620
VOID KEY	33472-0652																	
KEY A, BLACK, W/CPA	33472-0653	A-BLK	GC	PLR	CPA	M	R	1		3	4		6		SALEABLE		34951-0610	34951-0620
KEY B, LIGHT GRAY, W/CPA	33472-0654	B-LG	GC	PLR	CPA	M	R	1		3	4		6		SALEABLE		34951-0610	34951-0620



**MX150 RECEPTACLE 2X3 SEALED ASSEMBLY MAT SEAL  
BOM AND PIN OUT SHEET**

ASSEMBLY DESCRIPTION	ASSEMBLY PART NUMBER	COMPONENT							BLOCKED TERMINALS						STATUS	COMMENTS	OPTIONAL ATTACHMENTS SOLD SEPERATELY	
		THE PRESENCE OF AN ABBREVIATION INDICATES THE PRESENCE OF THAT COMPONENT.							CAVITY WITH A NUMBER INDICATES BLOCKED TERMINAL POSITION CAVITY WITHOUT A NUMBER INDICATES OPEN TERMINAL POSITION								BACKSHELL WITH RIBS	BACKSHELL WITHOUT RIBS
		HOUSING KEY/COLOR	GROMMET CAP	PLR	CPA	MAT SEAL	RING SEAL	1	2	3	4	5	6					
KEY A, BLACK, WITH CLIPSLOT, W/CPA	33472-0744	A-BLK-CLIP	GC	PLR	CPA	M	R			3					SALEABLE		N/A	N/A
KEY A, BLACK, WITH CLIPSLOT, W/O CPA	33472-0745	A-BLK-CLIP	GC	PLR		M	R	1				4			SALEABLE		N/A	N/A
KEY B, LIGHT GRAY, W/CPA	33472-0746	B-LG	GC	PLR	CPA	M	R					4	5	6	SALEABLE		34951-0610	34951-0620
KEY A, BLACK, W/CPA	33472-0747	A-BLK	GC	PLR	CPA	M	R		2	3		4	5		SALEABLE		34951-0610	34951-0620
KEY C, DARK GRAY, W/O CPA	33472-0748	C-DG	GC	PLR		M	R							6	SALEABLE		34951-0610	34951-0620
KEY C, DARK GRAY, W/O CPA	33472-0749	C-DG	GC	PLR		M	R	1	2	3		4	5	6	SALEABLE		34951-0610	34951-0620
KEY D, STONE GRAY, W/O CPA	33472-0750	D-SG	GC	PLR		M	R	1	2	3		4	5	6	SALEABLE		34951-0610	34951-0620
KEY A, BLACK, W/O CPA	33472-0751	A-BLK	GC	PLR		M	R		2	3					SALEABLE		34951-0610	34951-0620
KEY A, BLACK, WITH CLIPSLOT, W/CPA	33472-0752	A-BLK-CLIP	GC	PLR	CPA	M	R	1					5	6	SALEABLE		N/A	N/A
KEY A, BLACK, WITH CLIPSLOT, W/CPA	33472-0753	A-BLK-CLIP	GC	PLR	CPA	M	R							6	SALEABLE		N/A	N/A
KEY A, BLACK, W/CPA	33472-0754	A-BLK	GC	PLR	CPA	M	R						5		SALEABLE		34951-0610	34951-0620
KEY A, BLACK, WITH CLIPSLOT, W/CPA	33472-0755	A-BLK-CLIP	GC	PLR	CPA	M	R						5	6	SALEABLE		N/A	N/A
KEY A, BLACK, W/CPA	33472-0756	A-BLK	GC	PLR	CPA	M	R	1	2	3		4			SALEABLE		34951-0610	34951-0620
KEY B, LIGHT GRAY, W/O CPA	33472-0757	B-LG	GC	PLR		M	R	1							SALEABLE		34951-0610	34951-0620
KEY A, BLACK, WITH CLIPSLOT, W/O CPA	33472-7001	A-BLK-CLIP	GC	PLR		M	R			3		4		6	SALEABLE		N/A	N/A

MX150 RECEPTACLE 2X4 SEALED ASSEMBLY MAT SEAL  
BOM AND PIN OUT SHEET



ABBREVIATION	DESCRIPTION	COLOR	MATERIAL
A-BLK	HOUSING, KEYING OPTION A	BLACK	SPS/NYLON GF20
B-LG	HOUSING, KEYING OPTION B	LIGHT GRAY	SPS/NYLON GF20
C-BR	HOUSING, KEYING OPTION C	BROWN	SPS/NYLON GF20
D-GR	HOUSING, KEYING OPTION D	GREEN	SPS/NYLON GF20
C-DG	HOUSING, KEYING OPTION C	DARK GRAY	SPS/NYLON GF20
D-SG	HOUSING, KEYING OPTION D	STONE GRAY	SPS/NYLON GF20
D-BLK	HOUSING, KEYING OPTION D	BLACK	SPS/NYLON GF20
A-YW	HOUSING, KEYING OPTION A	YELLOW	SPS/NYLON GF20
A-BLK-CLIP	HOUSING, KEYING OPTION A WITH CLIPSLOT	BLACK	SPS/NYLON GF20
B-LG-CLIP	HOUSING, KEYING OPTION B WITH CLIPSLOT	LIGHT GRAY	SPS/NYLON GF20
C-BR-CLIP	HOUSING, KEYING OPTION C WITH CLIPSLOT	BROWN	SPS/NYLON GF20
D-GR-CLIP	HOUSING, KEYING OPTION D WITH CLIPSLOT	GREEN	SPS/NYLON GF20
C-DG-CLIP	HOUSING, KEYING OPTION C WITH CLIPSLOT	DARK GRAY	SPS/NYLON GF20
D-SG-CLIP	HOUSING, KEYING OPTION D WITH CLIPSLOT	STONE GRAY	SPS/NYLON GF20
D-BLK-CLIP	HOUSING, KEYING OPTION D WITH CLIPSLOT	BLACK	SPS/NYLON GF20
GCO	GROMMET CAP (OPEN)	BLACK	SPS/NYLON GF20
GCP	GROMMET CAP (PLUGGED)	BLACK	SPS/NYLON GF20
PLR	PLR	NATURAL	SPS/NYLON GF20
CPA	CPA	RED	PBT GF30
M	MAT SEAL	LIGHT BLUE	INHERENTLY LUBRICATED SILICONE
RG	RING SEAL	GREEN	INHERENTLY LUBRICATED SILICONE
RR	RING SEAL	RUST RED	INHERENTLY LUBRICATED SILICONE

FOR ADDITIONAL INFORMATION SEE SD-33472-0001

ASSEMBLY DESCRIPTION	ASSEMBLY PART NUMBER	COMPONENT							BLOCKED TERMINALS								STATUS	COMMENTS	OPTIONAL ATTACHMENTS SOLD SEPERATELY				
		THE PRESENCE OF AN ABBREVIATION INDICATES THE PRESENCE OF THAT COMPONENT.							CAVITY WITH A NUMBER INDICATES BLOCKED TERMINAL POSITION CAVITY WITHOUT A NUMBER INDICATES OPEN TERMINAL POSITION										BACKSHELL WITH RIBS	BACKSHELL WITHOUT RIBS	90° ADAPTOR WITH RIBS	90° ADAPTOR WITHOUT RIBS	
		HOUSING KEY/COLOR	GROMMET CAP	PLR	CPA	MAT SEAL	RING SEAL	1	2	3	4	5	6	7	8								
KEY A, BLACK, W/O CPA	33472-0801	A-BLK	GCO	PLR		M	RG										PLANNED OBSOLESCE		N/A	N/A	N/A	N/A	
KEY B, LIGHT GRAY, W/O CPA	33472-0802	B-LG	GCO	PLR		M	RG										PLANNED OBSOLESCE		N/A	N/A	N/A	N/A	
KEY C, BROWN, W/O CPA	33472-0803	C-BR	GCO	PLR		M	RG										PLANNED OBSOLESCE	SEE P/N 33472-0879	N/A	N/A	N/A	N/A	
KEY D, GREEN, W/O CPA	33472-0804	D-GR	GCO	PLR		M	RG										PLANNED OBSOLESCE	SEE P/N 33472-0880	N/A	N/A	N/A	N/A	
KEY D, BLACK, W/O CPA	33472-0805	D-BLK	GCO	PLR		M	RG										PLANNED OBSOLESCE		N/A	N/A	N/A	N/A	
KEY A, BLACK, W/CPA	33472-0806	A-BLK	GCO	PLR	CPA	M	RG										PLANNED OBSOLESCE		N/A	N/A	N/A	N/A	
KEY B, LIGHT GRAY, W/CPA	33472-0807	B-LG	GCO	PLR	CPA	M	RG										PLANNED OBSOLESCE		N/A	N/A	N/A	N/A	
KEY C, BROWN, W/CPA	33472-0808	C-BR	GCO	PLR	CPA	M	RG										PLANNED OBSOLESCE	SEE P/N 33472-0881	N/A	N/A	N/A	N/A	
KEY D, GREEN, W/CPA	33472-0809	D-GR	GCO	PLR	CPA	M	RG										PLANNED OBSOLESCE	SEE P/N 33472-0882	N/A	N/A	N/A	N/A	
VOID KEY	33472-0810																						
KEY A, BLACK, W/O CPA	33472-0811	A-BLK	GCP	PLR		M	RG								4		PLANNED OBSOLESCE		N/A	N/A	N/A	N/A	
KEY B, LIGHT GRAY, W/O CPA	33472-0812	B-LG	GCP	PLR		M	RG								4		PLANNED OBSOLESCE		N/A	N/A	N/A	N/A	
KEY C, BROWN, W/O CPA	33472-0813	C-BR	GCP	PLR		M	RG								4		PLANNED OBSOLESCE		N/A	N/A	N/A	N/A	
KEY D, GREEN, W/O CPA	33472-0814	D-GR	GCP	PLR		M	RG								4		PLANNED OBSOLESCE		N/A	N/A	N/A	N/A	
VOID KEY	33472-0815																						
KEY A, BLACK, W/CPA	33472-0816	A-BLK	GCP	PLR	CPA	M	RG								4		PLANNED OBSOLESCE		N/A	N/A	N/A	N/A	
KEY B, LIGHT GRAY, W/CPA	33472-0817	B-LG	GCP	PLR	CPA	M	RG								4		PLANNED OBSOLESCE		N/A	N/A	N/A	N/A	
KEY C, BROWN, W/CPA	33472-0818	C-BR	GCP	PLR	CPA	M	RG								4		PLANNED OBSOLESCE		N/A	N/A	N/A	N/A	
KEY D, GREEN, W/CPA	33472-0819	D-GR	GCP	PLR	CPA	M	RG								4		PLANNED OBSOLESCE	SEE P/N 33472-1009	N/A	N/A	N/A	N/A	
VOID KEY	33472-0820																						
KEY A, BLACK, W/O CPA	33472-0821	A-BLK	GCP	PLR		M	RG								4	5	PLANNED OBSOLESCE		N/A	N/A	N/A	N/A	
KEY B, LIGHT GRAY, W/O CPA	33472-0822	B-LG	GCP	PLR		M	RG								4	5	PLANNED OBSOLESCE		N/A	N/A	N/A	N/A	
KEY C, BROWN, W/O CPA	33472-0823	C-BR	GCP	PLR		M	RG								4	5	PLANNED OBSOLESCE		N/A	N/A	N/A	N/A	
KEY D, GREEN, W/O CPA	33472-0824	D-GR	GCP	PLR		M	RG								4	5	PLANNED OBSOLESCE		N/A	N/A	N/A	N/A	
VOID KEY	33472-0825																						
KEY A, BLACK, W/CPA	33472-0826	A-BLK	GCP	PLR	CPA	M	RG								4	5	PLANNED OBSOLESCE		N/A	N/A	N/A	N/A	
KEY B, LIGHT GRAY, W/CPA	33472-0827	B-LG	GCP	PLR	CPA	M	RG								4	5	PLANNED OBSOLESCE		N/A	N/A	N/A	N/A	
KEY C, BROWN, W/CPA	33472-0828	C-BR	GCP	PLR	CPA	M	RG								4	5	PLANNED OBSOLESCE		N/A	N/A	N/A	N/A	
KEY D, GREEN, W/CPA	33472-0829	D-GR	GCP	PLR	CPA	M	RG								4	5	PLANNED OBSOLESCE	SEE P/N 33472-1010	N/A	N/A	N/A	N/A	
VOID KEY	33472-0830																						
KEY A, BLACK, W/O CPA	33472-0831	A-BLK	GCP	PLR		M	RG	1							4	5	PLANNED OBSOLESCE		N/A	N/A	N/A	N/A	
KEY B, LIGHT GRAY, W/O CPA	33472-0832	B-LG	GCP	PLR		M	RG	1							4	5	PLANNED OBSOLESCE		N/A	N/A	N/A	N/A	
KEY C, BROWN, W/O CPA	33472-0833	C-BR	GCP	PLR		M	RG	1							4	5	PLANNED OBSOLESCE		N/A	N/A	N/A	N/A	
KEY D, GREEN, W/O CPA	33472-0834	D-GR	GCP	PLR		M	RG	1							4	5	PLANNED OBSOLESCE		N/A	N/A	N/A	N/A	
VOID KEY	33472-0835																						
KEY A, BLACK, W/CPA	33472-0836	A-BLK	GCP	PLR	CPA	M	RG	1							4	5	PLANNED OBSOLESCE		N/A	N/A	N/A	N/A	
KEY B, LIGHT GRAY, W/CPA	33472-0837	B-LG	GCP	PLR	CPA	M	RG	1							4	5	PLANNED OBSOLESCE		N/A	N/A	N/A	N/A	
KEY C, BROWN, W/CPA	33472-0838	C-BR	GCP	PLR	CPA	M	RG	1							4	5	PLANNED OBSOLESCE		N/A	N/A	N/A	N/A	
KEY D, GREEN, W/CPA	33472-0839	D-GR	GCP	PLR	CPA	M	RG	1							4	5	PLANNED OBSOLESCE		N/A	N/A	N/A	N/A	
VOID KEY	33472-0840																						
KEY A, BLACK, W/O CPA	33472-0841	A-BLK	GCP	PLR		M	RG	1							4	5	8	PLANNED OBSOLESCE		N/A	N/A	N/A	N/A
KEY B, LIGHT GRAY, W/O CPA	33472-0842	B-LG	GCP	PLR		M	RG	1							4	5	8	PLANNED OBSOLESCE		N/A	N/A	N/A	N/A
KEY C, BROWN, W/O CPA	33472-0843	C-BR	GCP	PLR		M	RG	1							4	5	8	PLANNED OBSOLESCE		N/A	N/A	N/A	N/A
KEY D, GREEN, W/O CPA	33472-0844	D-GR	GCP	PLR		M	RG	1							4	5	8	PLANNED OBSOLESCE		N/A	N/A	N/A	N/A
VOID KEY	33472-0845																						
KEY A, BLACK, W/CPA	33472-0846	A-BLK	GCP	PLR	CPA	M	RG	1							4	5	8	PLANNED OBSOLESCE		N/A	N/A	N/A	N/A
KEY B, LIGHT GRAY, W/CPA	33472-0847	B-LG	GCP	PLR	CPA	M	RG	1							4	5	8	PLANNED OBSOLESCE		N/A	N/A	N/A	N/A
KEY C, BROWN, W/CPA	33472-0848	C-BR	GCP	PLR	CPA	M	RG	1							4	5	8	PLANNED OBSOLESCE		N/A	N/A	N/A	N/A
KEY D, GREEN, W/CPA	33472-0849	D-GR	GCP	PLR	CPA	M	RG	1							4	5	8	PLANNED OBSOLESCE		N/A	N/A	N/A	N/A
VOID KEY	33472-0850																						





MX150 RECEPTACLE 2X4 SEALED ASSEMBLY MAT SEAL  
BOM AND PIN OUT SHEET

ASSEMBLY DESCRIPTION	ASSEMBLY PART NUMBER	COMPONENT							BLOCKED TERMINALS								STATUS	COMMENTS	OPTIONAL ATTACHMENTS SOLD SEPERATELY			
		THE PRESENCE OF AN ABBREVIATION INDICATES THE PRESENCE OF THAT COMPONENT.							CAVITY WITH A NUMBER INDICATES BLOCKED TERMINAL POSITION CAVITY WITHOUT A NUMBER INDICATES OPEN TERMINAL POSITION										BACKSHELL WITH RIBS	BACKSHELL WITHOUT RIBS	90° ADAPTOR WITH RIBS	90° ADAPTOR WITHOUT RIBS
		HOUSING KEY/COLOR	GROMMET CAP	PLR	CPA	MAT SEAL	RING SEAL	1	2	3	4	5	6	7	8							
KEY A, BLACK, W/O CPA	33472-1037	A-BLK	GCP	PLR		M	RG							6		8	PLANNED OBSOLESCENCE		N/A	N/A	N/A	N/A
KEY A, BLACK, W/O CPA	33472-1038	A-BLK	GCP	PLR		M	RG	1				4	5	6	7	8	PLANNED OBSOLESCENCE		N/A	N/A	N/A	N/A
KEY A, BLACK, W/O CPA	33472-1039	A-BLK	GCP	PLR		M	RG		2							7	PLANNED OBSOLESCENCE		N/A	N/A	N/A	N/A
KEY B, LIGHT GRAY, W/O CPA	33472-1040	B-LG	GCP	PLR		M	RG						5			7	PLANNED OBSOLESCENCE		N/A	N/A	N/A	N/A
KEY A, BLACK, W/O CPA	33472-1041	A-BLK	GCP	PLR		M	RG					4	5	6	7	8	PLANNED OBSOLESCENCE		N/A	N/A	N/A	N/A
KEY A, BLACK, W/O CPA	33472-1042	A-BLK	GCP	PLR		M	RG						5			8	PLANNED OBSOLESCENCE		N/A	N/A	N/A	N/A
KEY A, BLACK, W/O CPA	33472-1043	A-BLK	GCP	PLR		M	RG		2			4	5	6			PLANNED OBSOLESCENCE		N/A	N/A	N/A	N/A
KEY A, BLACK, W/O CPA	33472-1044	A-BLK	GCP	PLR		M	RG	1	2	3		4		6	7		PLANNED OBSOLESCENCE		N/A	N/A	N/A	N/A
KEY A, BLACK, W/O CPA	33472-1045	A-BLK	GCP	PLR		M	RG					4		6			PLANNED OBSOLESCENCE		N/A	N/A	N/A	N/A
KEY A, BLACK, W/CPA	33472-1046	A-BLK	GCP	PLR	CPA	M	RG	1								7	PLANNED OBSOLESCENCE		N/A	N/A	N/A	N/A
KEY B, LIGHT GRAY, W/O CPA	33472-1047	B-LG	GCP	PLR		M	RG							5			PLANNED OBSOLESCENCE		N/A	N/A	N/A	N/A
KEY A, BLACK, W/O CPA	33472-1048	A-BLK	GCP	PLR		M	RG	1	2					5	6		PLANNED OBSOLESCENCE		N/A	N/A	N/A	N/A
KEY A, BLACK, W/O CPA	33472-1049	A-BLK	GCP	PLR		M	RG	1	2							8	PLANNED OBSOLESCENCE		N/A	N/A	N/A	N/A
KEY A, BLACK, W/O CPA	33472-1050	A-BLK	GCP	PLR		M	RG					4	5	6			PLANNED OBSOLESCENCE		N/A	N/A	N/A	N/A
KEY A, BLACK, W/O CPA	33472-1051	A-BLK	GCP	PLR		M	RG	1	2	3				6			PLANNED OBSOLESCENCE		N/A	N/A	N/A	N/A
KEY A, BLACK, W/O CPA	33472-1052	A-BLK	GCP	PLR		M	RG					4	5			8	PLANNED OBSOLESCENCE		N/A	N/A	N/A	N/A
KEY A, BLACK, W/O CPA	33472-1053	A-BLK	GCP	PLR		M	RG			3	4				7	8	PLANNED OBSOLESCENCE		N/A	N/A	N/A	N/A
KEY A, BLACK, W/O CPA	33472-1054	A-BLK	GCP	PLR		M	RG	1		3	4				7	8	PLANNED OBSOLESCENCE		N/A	N/A	N/A	N/A
KEY A, BLACK, W/O CPA	33472-1055	A-BLK	GCP	PLR		M	RG					4				8	PLANNED OBSOLESCENCE		N/A	N/A	N/A	N/A
KEY A, BLACK, W/O CPA	33472-1056	A-BLK	GCP	PLR		M	RG					4	5			8	PLANNED OBSOLESCENCE		N/A	N/A	N/A	N/A
KEY D, STONE GRAY, W/O CPA	33472-1057	D-SG	GCP	PLR		M	RG	1	2	3	4	5	6	7	8		PLANNED OBSOLESCENCE		N/A	N/A	N/A	N/A
KEY A, BLACK, W/CPA	33472-1058	A-BLK	GCP	PLR	CPA	M	RG		2					5		8	PLANNED OBSOLESCENCE		N/A	N/A	N/A	N/A
KEY B, LIGHT GRAY, W/O CPA	33472-1059	B-LG	GCP	PLR		M	RG		2							7	PLANNED OBSOLESCENCE		N/A	N/A	N/A	N/A
KEY B, LIGHT GRAY, W/O CPA	33472-1060	B-LG	GCP	PLR		M	RG		2								PLANNED OBSOLESCENCE		N/A	N/A	N/A	N/A
KEY A, BLACK, W/O CPA	33472-1061	A-BLK	GCP	PLR		M	RG		2	3	4			6	7	8	PLANNED OBSOLESCENCE		N/A	N/A	N/A	N/A
KEY A, BLACK, W/O CPA	33472-1062	A-BLK	GCP	PLR		M	RG		2	3				6	7		PLANNED OBSOLESCENCE		N/A	N/A	N/A	N/A
KEY A, BLACK, WITH CLIPSLOT, W/O CPA	33472-0901	A-BLK-CLIP	GCO	PLR		M	RG										PLANNED OBSOLESCENCE		34951-0811	34951-0821	34951-0831	34951-0841
KEY B, LIGHT GRAY, WITH CLIPSLOT, W/O CPA	33472-0902	B-LG-CLIP	GCO	PLR		M	RG										PLANNED OBSOLESCENCE		34951-0811	34951-0821	34951-0831	34951-0841
KEY C, BROWN, WITH CLIPSLOT, W/O CPA	33472-0903	C-BR-CLIP	GCO	PLR		M	RG										PLANNED OBSOLESCENCE	SEE P/N 33472-0922	34951-0811	34951-0821	34951-0831	34951-0841
KEY D, GREEN, WITH CLIPSLOT, W/O CPA	33472-0904	D-GR-CLIP	GCO	PLR		M	RG										PLANNED OBSOLESCENCE	SEE P/N 33472-0923	34951-0811	34951-0821	34951-0831	34951-0841
KEY D, BLACK, WITH CLIPSLOT, W/O CPA	33472-0905	D-BLK-CLIP	GCO	PLR		M	RG										PLANNED OBSOLESCENCE		34951-0811	34951-0821	34951-0831	34951-0841
KEY A, BLACK, WITH CLIPSLOT, W/CPA	33472-0906	A-BLK-CLIP	GCO	PLR	CPA	M	RG										PLANNED OBSOLESCENCE		34951-0811	34951-0821	34951-0831	34951-0841
KEY B, LIGHT GRAY, WITH CLIPSLOT, W/CPA	33472-0907	B-LG-CLIP	GCO	PLR	CPA	M	RG										PLANNED OBSOLESCENCE		34951-0811	34951-0821	34951-0831	34951-0841
KEY C, BROWN, WITH CLIPSLOT, W/CPA	33472-0908	C-BR-CLIP	GCO	PLR	CPA	M	RG										PLANNED OBSOLESCENCE	SEE P/N 33472-0924	34951-0811	34951-0821	34951-0831	34951-0841
KEY D, GREEN, WITH CLIPSLOT, W/CPA	33472-0909	D-GR-CLIP	GCO	PLR	CPA	M	RG										PLANNED OBSOLESCENCE	SEE P/N 33472-0925	34951-0811	34951-0821	34951-0831	34951-0841
KEY A, BLACK, WITH CLIPSLOT, W/O CPA	33472-0910	A-BLK-CLIP	GCP	PLR		M	RG					4					PLANNED OBSOLESCENCE		34951-0811	34951-0821	34951-0831	34951-0841
KEY A, BLACK, WITH CLIPSLOT, W/O CPA	33472-0920	A-BLK-CLIP	GCP	PLR		M	RG					4				8	PLANNED OBSOLESCENCE		34951-0811	34951-0821	34951-0831	34951-0841
KEY A, BLACK, WITH CLIPSLOT, W/O CPA	33472-0921	A-BLK-CLIP	GCP	PLR		M	RG									8	PLANNED OBSOLESCENCE		34951-0811	34951-0821	34951-0831	34951-0841
KEY C, DARK GRAY, WITH CLIPSLOT, W/O CPA	33472-0922	C-DG-CLIP	GCO	PLR		M	RG										PLANNED OBSOLESCENCE		34951-0811	34951-0821	34951-0831	34951-0841
KEY D, STONE GRAY, WITH CLIPSLOT, W/O CPA	33472-0923	D-SG-CLIP	GCO	PLR		M	RG										PLANNED OBSOLESCENCE		34951-0811	34951-0821	34951-0831	34951-0841
KEY C, DARK GRAY, WITH CLIPSLOT, W/CPA	33472-0924	C-DG-CLIP	GCO	PLR	CPA	M	RG										PLANNED OBSOLESCENCE		34951-0811	34951-0821	34951-0831	34951-0841
KEY D, STONE GRAY, WITH CLIPSLOT, W/CPA	33472-0925	D-SG-CLIP	GCO	PLR	CPA	M	RG										PLANNED OBSOLESCENCE		34951-0811	34951-0821	34951-0831	34951-0841
KEY B, LIGHT GRAY, WITH CLIPSLOT, W/O CPA	33472-0926	B-LG-CLIP	GCP	PLR		M	RG					4					PLANNED OBSOLESCENCE		34951-0811	34951-0821	34951-0831	34951-0841
KEY A, BLACK, WITH CLIPSLOT, W/CPA	33472-0927	A-BLK-CLIP	GCP	PLR	CPA	M	RG					4					PLANNED OBSOLESCENCE		34951-0811	34951-0821	34951-0831	34951-0841
KEY B, LIGHT GRAY, WITH CLIPSLOT, W/CPA	33472-0928	B-LG-CLIP	GCP	PLR	CPA	M	RG					4					PLANNED OBSOLESCENCE		34951-0811	34951-0821	34951-0831	34951-0841
KEY A, BLACK, WITH CLIPSLOT, W/O CPA	33472-0929	A-BLK-CLIP	GCP	PLR		M	RG					4	5		7	8	PLANNED OBSOLESCENCE		34951-0811	34951-0821	34951-0831	34951-0841
KEY A, BLACK, WITH CLIPSLOT, W/O CPA	33472-0930	A-BLK-CLIP	GCP	PLR		M	RG			2	3	4	5		7	8	PLANNED OBSOLESCENCE		34951-0811	34951-0821	34951-0831	34951-0841
KEY A, BLACK, WITH CLIPSLOT, W/O CPA	33472-0931	A-BLK-CLIP	GCP	PLR		M	RG	1	2	3				6			PLANNED OBSOLESCENCE		34951-0811	34951-0821	34951-0831	34951-0841
KEY A, BLACK, WITH CLIPSLOT, W/O CPA	33472-0932	A-BLK-CLIP	GCP	PLR		M	RG	1						6			PLANNED OBSOLESCENCE		34951-0811	34951-0821	34951-0831	34951-0841
KEY A, BLACK, WITH CLIPSLOT, W/CPA	33472-0933	A-BLK-CLIP	GCP	PLR	CPA	M	RG									8	PLANNED OBSOLESCENCE		34951-0811	34951-0821	34951-0831	34951-0841
KEY B, LIGHT GRAY, WITH CLIPSLOT, W/CPA	33472-0934	B-LG-CLIP	GCP	PLR	CPA	M	RG									8	PLANNED OBSOLESCENCE		34951-0811	34951-0821	34951-0831	34951-0841
KEY A, BLACK, WITH CLIPSLOT, W/CPA	33472-0935	A-BLK-CLIP	GCP	PLR	CPA	M	RG			2	3	4		6	7	8	PLANNED OBSOLESCENCE		34951-0811	34951-0821	34951-0831	34951-0841
KEY A, BLACK, WITH CLIPSLOT, W/O CPA	33472-0936	A-BLK-CLIP	GCP	PLR		M	RG							6	7	8	PLANNED OBSOLESCENCE		34951-0811	34951-0821	34951-0831	34951-0841
KEY A, BLACK, WITH CLIPSLOT, W/O CPA	33472-0937	A-BLK-CLIP	GCP	PLR		M	RG							5		8	PLANNED OBSOLESCENCE		34951-0811	34951-0821	34951-0831	34951-0841
KEY A, BLACK, WITH CLIPSLOT, W/O CPA	33472-0938	A-BLK-CLIP	GCP	PLR		M	RG						5				PLANNED OBSOLESCENCE		34951-0811	34951-0821	34951-0831	34951-0841
KEY A, BLACK, WITH CLIPSLOT, W/O CPA	33472-0939	A-BLK-CLIP	GCP	PLR		M	RG					4	5	6	7	8	PLANNED OBSOLESCENCE		34951-0811	34951-0821	34951-0831	34951-0841
KEY A, BLACK, WITH CLIPSLOT, W/O CPA	33472-0940	A-BLK-CLIP	GCP	PLR		M	RG	1	2					5	6		PLANNED OBSOLESCENCE		34951-0811	34951-0821	34951-0831	34951-0841
KEY A, BLACK, WITH CLIPSLOT, W/O CPA	33472-0941	A-BLK-CLIP	GCP	PLR		M	RG	1	2	3	4	5	6				PLANNED OBSOLESCENCE		34951-0811	34951-0821	34951-0831	34951-0841
KEY A, BLACK, WITH CLIPSLOT, W/O CPA	33472-0944	A-BLK-CLIP	GCP	PLR		M	RG					4	5			7	PLANNED OBSOLESCENCE		34951-0811	34951-0821	34951-0831	34951-0841
KEY A, BLACK, WITH CLIPSLOT, W/O CPA	33472-0945	A-BLK-CLIP	GCP	PLR		M	RG									7	PLANNED OBSOLESCENCE		34951-0811	34951-0821	34951-0831	34951-0841
KEY A, BLACK, WITH CLIPSLOT, W/O CPA	33472-0946	A-BLK-CLIP	GCP	PLR		M	RG				3					7	PLANNED OBSOLESCENCE		34951-0811	34951-0821	34951-0831	34951-0841
KEY A, BLACK, WITH CLIPSLOT, W/O CPA	33472-0947	A-BLK-CLIP	GCP	PLR		M	RG	1			3	4	5	6	7	8	PLANNED OBSOLESCENCE		34951-0811	34951-0821	34951-0831	34951-0841
KEY A, BLACK, W/O CPA	33472-4801	A-BLK	GCO	PLR		M	RR										SALEABLE		N/A	N/A	N/A	N/A
KEY B, LIGHT GRAY, W/O CPA	33472-4802	B-LG	GCO	PLR		M	RR										SALEABLE		N/A	N/A	N/A	N/A
KEY C, BROWN, W/O CPA	33472-4803	C-BR	GCO	PLR		M	RR										NOT RECOMMENDED	SEE P/N 33472-4879	N/A	N/A	N/A	N/A
KEY D, GREEN, W/O CPA	33472-4804	D-GR	GCO	PLR		M	RR										NOT RECOMMENDED	SEE P/N 33472-4880	N/A	N/A	N/A	N/A
KEY D, BLACK, W/O CPA	33472-4805	D-BLK	GCO	PLR		M	RR										SALEABLE		N/A	N/A	N/A	N/A
KEY A, BLACK, W/CPA	33472-4806	A-BLK	GCO	PLR	CPA	M	RR										SALEABLE		N/A	N/A	N/A	N/A
KEY B, LIGHT GRAY, W/CPA	33472-4807																					

MX150 RECEPTACLE 2X4 SEALED ASSEMBLY MAT SEAL  
BOM AND PIN OUT SHEET

ASSEMBLY DESCRIPTION	ASSEMBLY PART NUMBER	COMPONENT						BLOCKED TERMINALS								STATUS	COMMENTS	OPTIONAL ATTACHMENTS SOLD SEPERATELY						
		THE PRESENCE OF AN ABBREVIATION INDICATES THE PRESENCE OF THAT COMPONENT.						CAVITY WITH A NUMBER INDICATES BLOCKED TERMINAL POSITION CAVITY WITHOUT A NUMBER INDICATES OPEN TERMINAL POSITION										BACKSHELL WITH RIBS	BACKSHELL WITHOUT RIBS	90° ADAPTOR WITH RIBS	90° ADAPTOR WITHOUT RIBS			
		HOUSING KEY/COLOR	GROMMET CAP	PLR	CPA	MAT SEAL	RING SEAL	1	2	3	4	5	6	7	8									
KEY D, GREEN, W/CPA	33472-4819	D-GR	GCP	PLR	CPA	M	RR					4						NOT RECOMMENDED	SEE P/N 33472-5009	N/A	N/A	N/A	N/A	
VOID KEY	33472-4820																							
KEY A, BLACK, W/O CPA	33472-4821	A-BLK	GCP	PLR		M	RR					4	5					SALEABLE		N/A	N/A	N/A	N/A	
KEY B, LIGHT GRAY, W/O CPA	33472-4822	B-LG	GCP	PLR		M	RR					4	5					SALEABLE		N/A	N/A	N/A	N/A	
KEY C, BROWN, W/O CPA	33472-4823	C-BR	GCP	PLR		M	RR					4	5					NOT RECOMMENDED		N/A	N/A	N/A	N/A	
KEY D, GREEN, W/O CPA	33472-4824	D-GR	GCP	PLR		M	RR					4	5					NOT RECOMMENDED		N/A	N/A	N/A	N/A	
VOID KEY	33472-4825																							
KEY A, BLACK, W/CPA	33472-4826	A-BLK	GCP	PLR	CPA	M	RR					4	5					SALEABLE		N/A	N/A	N/A	N/A	
KEY B, LIGHT GRAY, W/CPA	33472-4827	B-LG	GCP	PLR	CPA	M	RR					4	5					SALEABLE		N/A	N/A	N/A	N/A	
KEY C, BROWN, W/CPA	33472-4828	C-BR	GCP	PLR	CPA	M	RR					4	5					NOT RECOMMENDED		N/A	N/A	N/A	N/A	
KEY D, GREEN, W/CPA	33472-4829	D-GR	GCP	PLR	CPA	M	RR					4	5					NOT RECOMMENDED	SEE P/N 33472-5010	N/A	N/A	N/A	N/A	
VOID KEY	33472-4830																							
KEY A, BLACK, W/O CPA	33472-4831	A-BLK	GCP	PLR		M	RR	1				4	5					SALEABLE		N/A	N/A	N/A	N/A	
KEY B, LIGHT GRAY, W/O CPA	33472-4832	B-LG	GCP	PLR		M	RR	1				4	5					SALEABLE		N/A	N/A	N/A	N/A	
KEY C, BROWN, W/O CPA	33472-4833	C-BR	GCP	PLR		M	RR	1				4	5					NOT RECOMMENDED		N/A	N/A	N/A	N/A	
KEY D, GREEN, W/O CPA	33472-4834	D-GR	GCP	PLR		M	RR	1				4	5					NOT RECOMMENDED		N/A	N/A	N/A	N/A	
VOID KEY	33472-4835																							
KEY A, BLACK, W/CPA	33472-4836	A-BLK	GCP	PLR	CPA	M	RR	1				4	5					SALEABLE		N/A	N/A	N/A	N/A	
KEY B, LIGHT GRAY, W/CPA	33472-4837	B-LG	GCP	PLR	CPA	M	RR	1				4	5					SALEABLE		N/A	N/A	N/A	N/A	
KEY C, BROWN, W/CPA	33472-4838	C-BR	GCP	PLR	CPA	M	RR	1				4	5					NOT RECOMMENDED		N/A	N/A	N/A	N/A	
KEY D, GREEN, W/CPA	33472-4839	D-GR	GCP	PLR	CPA	M	RR	1				4	5					NOT RECOMMENDED		N/A	N/A	N/A	N/A	
VOID KEY	33472-4840																							
KEY A, BLACK, W/O CPA	33472-4841	A-BLK	GCP	PLR		M	RR	1				4	5				8	SALEABLE		N/A	N/A	N/A	N/A	
KEY B, LIGHT GRAY, W/O CPA	33472-4842	B-LG	GCP	PLR		M	RR	1				4	5				8	SALEABLE		N/A	N/A	N/A	N/A	
KEY C, BROWN, W/O CPA	33472-4843	C-BR	GCP	PLR		M	RR	1				4	5				8	NOT RECOMMENDED		N/A	N/A	N/A	N/A	
KEY D, GREEN, W/O CPA	33472-4844	D-GR	GCP	PLR		M	RR	1				4	5				8	NOT RECOMMENDED		N/A	N/A	N/A	N/A	
VOID KEY	33472-4845																							
KEY A, BLACK, W/CPA	33472-4846	A-BLK	GCP	PLR	CPA	M	RR	1				4	5				8	SALEABLE		N/A	N/A	N/A	N/A	
KEY B, LIGHT GRAY, W/CPA	33472-4847	B-LG	GCP	PLR	CPA	M	RR	1				4	5				8	SALEABLE		N/A	N/A	N/A	N/A	
KEY C, BROWN, W/CPA	33472-4848	C-BR	GCP	PLR	CPA	M	RR	1				4	5				8	NOT RECOMMENDED		N/A	N/A	N/A	N/A	
KEY D, GREEN, W/CPA	33472-4849	D-GR	GCP	PLR	CPA	M	RR	1				4	5				8	NOT RECOMMENDED		N/A	N/A	N/A	N/A	
VOID KEY	33472-4850																							
KEY A, BLACK, W/O CPA	33472-4851	A-BLK	GCP	PLR		M	RR	1	2	3		4	5	6	7	8		SALEABLE		N/A	N/A	N/A	N/A	
KEY B, LIGHT GRAY, W/O CPA	33472-4852	B-LG	GCP	PLR		M	RR	1	2	3		4	5	6	7	8		SALEABLE		N/A	N/A	N/A	N/A	
KEY C, BROWN, W/O CPA	33472-4853	C-BR	GCP	PLR		M	RR	1	2	3		4	5	6	7	8		NOT RECOMMENDED		N/A	N/A	N/A	N/A	
KEY D, GREEN, W/O CPA	33472-4854	D-GR	GCP	PLR		M	RR	1	2	3		4	5	6	7	8		NOT RECOMMENDED		N/A	N/A	N/A	N/A	
KEY D, BLACK, W/O CPA	33472-4855	D-BLK	GCP	PLR		M	RR	1	2	3		4	5	6	7	8		SALEABLE		N/A	N/A	N/A	N/A	
KEY A, BLACK, W/CPA	33472-4856	A-BLK	GCP	PLR	CPA	M	RR		2					6	7			SALEABLE		N/A	N/A	N/A	N/A	
KEY A, BLACK, W/CPA	33472-4857	A-BLK	GCP	PLR	CPA	M	RR	1	2			5	6	7				SALEABLE		N/A	N/A	N/A	N/A	
KEY A, BLACK, W/CPA	33472-4858	A-BLK	GCP	PLR	CPA	M	RR	1	2	3		5	6	7				SALEABLE		N/A	N/A	N/A	N/A	
KEY A, BLACK, W/O CPA	33472-4859	A-BLK	GCP	PLR		M	RR	1	2	3				6	7	8		SALEABLE		N/A	N/A	N/A	N/A	
KEY D, BLACK, W/O CPA	33472-4860	D-BLK	GCP	PLR		M	RR					4						SALEABLE		N/A	N/A	N/A	N/A	
KEY A, BLACK, W/O CPA	33472-4861	A-BLK	GCP	PLR		M	RR										8	SALEABLE		N/A	N/A	N/A	N/A	
KEY A, BLACK, W/O CPA	33472-4862	A-BLK	GCP	PLR		M	RR	1										SALEABLE		N/A	N/A	N/A	N/A	
KEY A, BLACK, W/O CPA	33472-4863	A-BLK	GCP	PLR		M	RR		2	3			5				8	SALEABLE		N/A	N/A	N/A	N/A	
KEY A, BLACK, W/O CPA	33472-4864	A-BLK	GCP	PLR		M	RR	1		3			5					SALEABLE		N/A	N/A	N/A	N/A	
KEY A, BLACK, W/O CPA	33472-4865	A-BLK	GCP	PLR		M	RR	1						6				SALEABLE		N/A	N/A	N/A	N/A	
KEY A, BLACK, W/O CPA	33472-4866	A-BLK	GCP	PLR		M	RR		2	3			5	6			8	SALEABLE		N/A	N/A	N/A	N/A	
KEY A, BLACK, W/O CPA	33472-4867	A-BLK	GCP	PLR		M	RR	1		3			5	6				SALEABLE		N/A	N/A	N/A	N/A	
KEY A, BLACK, W/O CPA	33472-4868	A-BLK	GCP	PLR		M	RR						5	6			8	SALEABLE		N/A	N/A	N/A	N/A	
KEY A, BLACK, W/O CPA	33472-4869	A-BLK	GCP	PLR		M	RR							6				SALEABLE		N/A	N/A	N/A	N/A	
KEY A, BLACK, W/O CPA	33472-4870	A-BLK	GCP	PLR		M	RR	1		3			5	6	7	8		SALEABLE		N/A	N/A	N/A	N/A	
KEY A, BLACK, W/O CPA	33472-4871	A-BLK	GCP	PLR		M	RR		2	3		4	5	6	7	8		SALEABLE		N/A	N/A	N/A	N/A	
KEY A, BLACK, W/O CPA	33472-4872	A-BLK	GCP	PLR		M	RR								7	8		SALEABLE		N/A	N/A	N/A	N/A	
KEY A, BLACK, W/O CPA	33472-4873	A-BLK	GCP	PLR		M	RR		2	3				6	7	8		SALEABLE		N/A	N/A	N/A	N/A	
KEY A, BLACK, W/O CPA	33472-4874	A-BLK	GCP	PLR		M	RR		2	3								SALEABLE		N/A	N/A	N/A	N/A	
KEY A, BLACK, W/O CPA	33472-4875	A-BLK	GCP	PLR		M	RR	1				4						SALEABLE		N/A	N/A	N/A	N/A	
KEY A, BLACK, W/O CPA	33472-4876	A-BLK	GCP	PLR		M	RR		2	3			5	6	7	8		SALEABLE		N/A	N/A	N/A	N/A	
KEY A, BLACK, W/CPA	33472-4877	A-BLK	GCP	PLR	CPA	M	RR										8	SALEABLE		N/A	N/A	N/A	N/A	
KEY A, BLACK, W/O CPA	33472-4878	A-BLK	GCP	PLR		M	RR			3			5	6				SALEABLE		N/A	N/A	N/A	N/A	
KEY C, DARK GRAY, W/O CPA	33472-4879	C-DG	GCO	PLR		M	RR											SALEABLE		N/A	N/A	N/A	N/A	
KEY D, STONE GRAY, W/O CPA	33472-4880	D-SG	GCO	PLR		M	RR											SALEABLE		N/A	N/A	N/A	N/A	
KEY C, DARK GRAY, W/CPA	33472-4881	C-DG	GCO	PLR	CPA	M	RR											SALEABLE		N/A	N/A	N/A	N/A	
KEY D, STONE GRAY, W/CPA	33472-4882	D-SG	GCO	PLR	CPA	M	RR											SALEABLE		N/A	N/A	N/A	N/A	
KEY A, BLACK, W/O CPA	33472-4883	A-BLK	GCP	PLR		M	RR		2	3		4	5		7	8		SALEABLE		N/A	N/A	N/A	N/A	
KEY A, BLACK, W/O CPA	33472-4884	A-BLK	GCP	PLR		M	RR			3				6	7			SALEABLE		N/A	N/A	N/A	N/A	
KEY A, BLACK, W/O CPA	33472-4885	A-BLK	GCP	PLR		M	RR		2	3		4	5	6				SALEABLE		N/A	N/A	N/A	N/A	
KEY A, BLACK, W/O CPA	33472-4886	A-BLK	GCP	PLR		M	RR			3				6										

MX150 RECEPTACLE 2X4 SEALED ASSEMBLY MAT SEAL  
BOM AND PIN OUT SHEET

ASSEMBLY DESCRIPTION	ASSEMBLY PART NUMBER	COMPONENT						BLOCKED TERMINALS								STATUS	COMMENTS	OPTIONAL ATTACHMENTS SOLD SEPERATELY					
		THE PRESENCE OF AN ABBREVIATION INDICATES THE PRESENCE OF THAT COMPONENT.						CAVITY WITH A NUMBER INDICATES BLOCKED TERMINAL POSITION CAVITY WITHOUT A NUMBER INDICATES OPEN TERMINAL POSITION										BACKSHELL WITH RIBS	BACKSHELL WITHOUT RIBS	90° ADAPTOR WITH RIBS	90° ADAPTOR WITHOUT RIBS		
		HOUSING KEY/COLOR	GROMMET CAP	PLR	CPA	MAT SEAL	RING SEAL	1	2	3	4	5	6	7	8								
KEY A, BLACK, W/CPA	33472-5005	A-BLK	GCP	PLR	CPA	M	RR								8	SALEABLE		N/A	N/A	N/A	N/A		
KEY A, BLACK, W/O CPA	33472-5006	A-BLK	GCP	PLR	CPA	M	RR	1	2	3	4	5	6			SALEABLE		N/A	N/A	N/A	N/A		
KEY A, BLACK, W/CPA	33472-5007	A-BLK	GCP	PLR	CPA	M	RR						6	7		SALEABLE		N/A	N/A	N/A	N/A		
KEY A, BLACK, W/CPA	33472-5008	A-BLK	GCP	PLR	CPA	M	RR							7		SALEABLE		N/A	N/A	N/A	N/A		
KEY D, STONE GRAY, W/CPA	33472-5009	D-SG	GCP	PLR	CPA	M	RR				4					SALEABLE		N/A	N/A	N/A	N/A		
KEY D, STONE GRAY, W/CPA	33472-5010	D-SG	GCP	PLR	CPA	M	RR				4	5				SALEABLE		N/A	N/A	N/A	N/A		
KEY D, STONE GRAY, W/CPA	33472-5011	D-SG	GCP	PLR	CPA	M	RR				4	5	6			SALEABLE		N/A	N/A	N/A	N/A		
KEY A, BLACK, W/O CPA	33472-5012	A-BLK	GCP	PLR	CPA	M	RR				4			7	8	SALEABLE		N/A	N/A	N/A	N/A		
KEY A, BLACK, W/CPA	33472-5013	A-BLK	GCP	PLR	CPA	M	RR				3	4	5	6	7	8	SALEABLE		N/A	N/A	N/A	N/A	
KEY A, BLACK, W/O CPA	33472-5014	A-BLK	GCP	PLR	CPA	M	RR				3	4	5	6	7	8	SALEABLE		N/A	N/A	N/A	N/A	
KEY A, BLACK, W/CPA	33472-5015	A-BLK	GCP	PLR	CPA	M	RR				3	4			7	8	SALEABLE		N/A	N/A	N/A	N/A	
KEY A, BLACK, W/O CPA	33472-5016	A-BLK	GCP	PLR	CPA	M	RR						6	7	8	SALEABLE		N/A	N/A	N/A	N/A		
KEY A, BLACK, W/O CPA	33472-5017	A-BLK	GCP	PLR	CPA	M	RR	1			3	4			8	SALEABLE		N/A	N/A	N/A	N/A		
KEY A, BLACK, W/CPA	33472-5018	A-BLK	GCP	PLR	CPA	M	RR						5	6	7	8	SALEABLE		N/A	N/A	N/A	N/A	
KEY A, BLACK, W/CPA	33472-5019	A-BLK	GCP	PLR	CPA	M	RR							7	8	SALEABLE		N/A	N/A	N/A	N/A		
KEY A, BLACK, W/CPA	33472-5020	A-BLK	GCP	PLR	CPA	M	RR						6	7	8	SALEABLE		N/A	N/A	N/A	N/A		
KEY A, BLACK, W/CPA	33472-5021	A-BLK	GCP	PLR	CPA	M	RR	1	2	3	4	5	6	7	8	SALEABLE		N/A	N/A	N/A	N/A		
KEY A, BLACK, W/CPA	33472-5022	A-BLK	GCP	PLR	CPA	M	RR	1					5			SALEABLE		N/A	N/A	N/A	N/A		
KEY A, BLACK, W/O CPA	33472-5023	A-BLK	GCP	PLR	CPA	M	RR						5	6	7	8	SALEABLE		N/A	N/A	N/A	N/A	
KEY A, BLACK, W/O CPA	33472-5024	A-BLK	GCP	PLR	CPA	M	RR				3	4				SALEABLE		N/A	N/A	N/A	N/A		
KEY D, STONE GRAY, W/O CPA	33472-5025	D-SG	GCP	PLR	CPA	M	RR					4	5	6		SALEABLE		N/A	N/A	N/A	N/A		
KEY D, STONE GRAY, W/O CPA	33472-5026	D-SG	GCP	PLR	CPA	M	RR					4				SALEABLE		N/A	N/A	N/A	N/A		
KEY B, LIGHT GRAY, W/O CPA	33472-5027	B-LG	GCP	PLR	CPA	M	RR								7	8	SALEABLE		N/A	N/A	N/A	N/A	
KEY A, BLACK, W/O CPA	33472-5028	A-BLK	GCP	PLR	CPA	M	RR	1	2	3	4				7	8	SALEABLE		N/A	N/A	N/A	N/A	
KEY A, BLACK, W/O CPA	33472-5029	A-BLK	GCP	PLR	CPA	M	RR				3	4				8	SALEABLE		N/A	N/A	N/A	N/A	
KEY A, BLACK, W/O CPA	33472-5030	A-BLK	GCP	PLR	CPA	M	RR	1	2	3	4	5			7		SALEABLE		N/A	N/A	N/A	N/A	
KEY A, BLACK, W/O CPA	33472-5031	A-BLK	GCP	PLR	CPA	M	RR						5				SALEABLE		N/A	N/A	N/A	N/A	
KEY A, BLACK, W/O CPA	33472-5032	A-BLK	GCP	PLR	CPA	M	RR		2					5			SALEABLE		N/A	N/A	N/A	N/A	
KEY B, LIGHT GRAY, W/O CPA	33472-5033	B-LG	GCP	PLR	CPA	M	RR	1			3					8	SALEABLE		N/A	N/A	N/A	N/A	
KEY B, LIGHT GRAY, W/O CPA	33472-5034	B-LG	GCP	PLR	CPA	M	RR				3					8	SALEABLE		N/A	N/A	N/A	N/A	
KEY B, LIGHT GRAY, W/O CPA	33472-5035	B-LG	GCP	PLR	CPA	M	RR	1									SALEABLE		N/A	N/A	N/A	N/A	
KEY A, BLACK, W/O CPA	33472-5036	A-BLK	GCP	PLR	CPA	M	RR	1								8	SALEABLE		N/A	N/A	N/A	N/A	
KEY A, BLACK, W/O CPA	33472-5037	A-BLK	GCP	PLR	CPA	M	RR									8	SALEABLE		N/A	N/A	N/A	N/A	
KEY A, BLACK, W/O CPA	33472-5038	A-BLK	GCP	PLR	CPA	M	RR	1			4	5	6	7	8		SALEABLE		N/A	N/A	N/A	N/A	
KEY A, BLACK, W/O CPA	33472-5039	A-BLK	GCP	PLR	CPA	M	RR								7		SALEABLE		N/A	N/A	N/A	N/A	
KEY B, LIGHT GRAY, W/O CPA	33472-5040	B-LG	GCP	PLR	CPA	M	RR						5				SALEABLE		N/A	N/A	N/A	N/A	
KEY A, BLACK, W/O CPA	33472-5041	A-BLK	GCP	PLR	CPA	M	RR				4	5	6	7	8		SALEABLE		N/A	N/A	N/A	N/A	
KEY A, BLACK, W/O CPA	33472-5042	A-BLK	GCP	PLR	CPA	M	RR						5			8	SALEABLE		N/A	N/A	N/A	N/A	
KEY A, BLACK, W/O CPA	33472-5043	A-BLK	GCP	PLR	CPA	M	RR				2	4	5	6			SALEABLE		N/A	N/A	N/A	N/A	
KEY A, BLACK, W/O CPA	33472-5044	A-BLK	GCP	PLR	CPA	M	RR	1	2	3	4			6	7		SALEABLE		N/A	N/A	N/A	N/A	
KEY A, BLACK, W/O CPA	33472-5045	A-BLK	GCP	PLR	CPA	M	RR							6			SALEABLE		N/A	N/A	N/A	N/A	
KEY A, BLACK, W/CPA	33472-5046	A-BLK	GCP	PLR	CPA	M	RR	1							7		SALEABLE		N/A	N/A	N/A	N/A	
KEY B, LIGHT GRAY, W/O CPA	33472-5047	B-LG	GCP	PLR	CPA	M	RR							5			SALEABLE		N/A	N/A	N/A	N/A	
KEY A, BLACK, W/O CPA	33472-5048	A-BLK	GCP	PLR	CPA	M	RR	1	2							8	SALEABLE		N/A	N/A	N/A	N/A	
KEY A, BLACK, W/O CPA	33472-5049	A-BLK	GCP	PLR	CPA	M	RR	1	2							8	SALEABLE		N/A	N/A	N/A	N/A	
KEY A, BLACK, W/O CPA	33472-5050	A-BLK	GCP	PLR	CPA	M	RR					4	5	6			SALEABLE		N/A	N/A	N/A	N/A	
KEY A, BLACK, W/O CPA	33472-5051	A-BLK	GCP	PLR	CPA	M	RR	1	2	3				6			SALEABLE		N/A	N/A	N/A	N/A	
KEY A, BLACK, W/O CPA	33472-5052	A-BLK	GCP	PLR	CPA	M	RR					4	5		7	8	SALEABLE		N/A	N/A	N/A	N/A	
KEY A, BLACK, W/O CPA	33472-5053	A-BLK	GCP	PLR	CPA	M	RR				3	4			7	8	SALEABLE		N/A	N/A	N/A	N/A	
KEY A, BLACK, W/O CPA	33472-5054	A-BLK	GCP	PLR	CPA	M	RR	1			3	4			7	8	SALEABLE		N/A	N/A	N/A	N/A	
KEY A, BLACK, W/O CPA	33472-5055	A-BLK	GCP	PLR	CPA	M	RR					4				8	SALEABLE		N/A	N/A	N/A	N/A	
KEY A, BLACK, W/O CPA	33472-5056	A-BLK	GCP	PLR	CPA	M	RR					4	5			8	SALEABLE		N/A	N/A	N/A	N/A	
KEY D, STONE GRAY, W/O CPA	33472-5057	D-SG	GCP	PLR	CPA	M	RR	1	2	3	4	5	6	7	8		SALEABLE		N/A	N/A	N/A	N/A	
KEY A, BLACK, W/CPA	33472-5058	A-BLK	GCP	PLR	CPA	M	RR				2					8	SALEABLE		N/A	N/A	N/A	N/A	
KEY B, LIGHT GRAY, W/O CPA	33472-5059	B-LG	GCP	PLR	CPA	M	RR								7		SALEABLE		N/A	N/A	N/A	N/A	
KEY B, LIGHT GRAY, W/O CPA	33472-5060	B-LG	GCP	PLR	CPA	M	RR				2						SALEABLE		N/A	N/A	N/A	N/A	
KEY A, BLACK, W/O CPA	33472-5061	A-BLK	GCP	PLR	CPA	M	RR				2	3	4		6	7	8	SALEABLE		N/A	N/A	N/A	N/A
KEY A, BLACK, W/O CPA	33472-5062	A-BLK	GCP	PLR	CPA	M	RR				2	3			6	7	SALEABLE		N/A	N/A	N/A	N/A	
KEY A, BLACK, WITH CLIPSLOT, W/O CPA	33472-4901	A-BLK-CLIP	GCO	PLR	CPA	M	RR										SALEABLE	34951-0811	34951-0821	34951-0831	34951-0841		
KEY B, LIGHT GRAY, WITH CLIPSLOT, W/O CPA	33472-4902	B-LG-CLIP	GCO	PLR	CPA	M	RR										SALEABLE	34951-0811	34951-0821	34951-0831	34951-0841		
KEY C, BROWN, WITH CLIPSLOT, W/O CPA	33472-4903	C-BR-CLIP	GCO	PLR	CPA	M	RR										NOT RECOMMENDED	SEE P/N 33472-4922	34951-0811	34951-0821	34951-0831	34951-0841	
KEY D, GREEN, WITH CLIPSLOT, W/O CPA	33472-4904	D-GR-CLIP	GCO	PLR	CPA	M	RR										NOT RECOMMENDED	SEE P/N 33472-4923	34951-0811	34951-0821	34951-0831	34951-0841	
KEY D, BLACK, WITH CLIPSLOT, W/O CPA	33472-4905	D-BLK-CLIP	GCO	PLR	CPA	M	RR										SALEABLE	34951-0811	34951-0821	34951-0831	34951-0841		
KEY A, BLACK, WITH CLIPSLOT, W/CPA	33472-4906	A-BLK-CLIP	GCO	PLR	CPA	M	RR										SALEABLE	34951-0811	34951-0821	34951-0831	34951-0841		
KEY B, LIGHT GRAY, WITH CLIPSLOT, W/CPA	33472-4907	B-LG-CLIP	GCO	PLR	CPA	M	RR										SALEABLE	34951-0811	34951-0821	34951-0831	34951-0841		
KEY C, BROWN, WITH CLIPSLOT, W/CPA	33472-4908	C-BR-CLIP	GCO	PLR	CPA	M	RR										NOT RECOMMENDED	SEE P/N 33472-4924	34951-0811	34951-0821	34951-0831	34951-0841	
KEY D, GREEN, WITH CLIPSLOT, W/CPA	33472-4909	D-GR-CLIP	GCO	PLR	CPA	M	RR										NOT RECOMMENDED	SEE P/N 33472-4925	34951-0811	34951-0821	34951-0831	34951-0841	
KEY A, BLACK, WITH CLIPSLOT, W/O CPA	33472-4910	A-BLK-CLIP	GCP	PLR	CPA	M	RR					4					SALEABLE	34951-0811	34951-0821	34951-0831	34951-0841		
KEY A, BLACK, WITH CLIPSLOT, W/O CPA	33472-4920	A-BLK-CLIP	GCP	PLR	CPA	M	RR					4				8	SALEABLE	34951-0811	34951-0821	34951-0831	34951-0841		
KEY A, BLACK, WITH CLIPSLOT, W/O CPA	33472-4921	A-BLK-CLIP	GCP	PLR	CPA	M	RR									8	SALEABLE	34951-0811	34951-0821	34951-0831	34951-0841		
KEY C, DARK GRAY, WITH CLIPSLOT, W/O CPA	33472-4922	C-DG-CLIP	GCO	PLR	CPA	M	RR										SALEABLE	34951-0811	34951-0821	34951-0831	34951-0841		
KEY D, STONE GRAY, WITH CLIPSLOT, W/O CPA	33472-4923	D-SG-CLIP	GCO	PLR	CPA	M	RR										SALEABLE	34951-0811	34951-0821	34951-0831	34951-0841		
KEY C, DARK GRAY, WITH CLIPSLOT, W/CPA	33472-4924	C-DG-CLIP	GCO	PLR	CPA	M	RR										SALEABLE	34951-0811	34951-0821	34951-0831	34951-0841		
KEY D, STONE GRAY, WITH CLIPSLOT, W/CPA	33472-4925	D-SG-CLIP	GCO	PLR	CPA	M	RR										SALEABLE	34951-0811	34951-0821	34951-0831	34951-0841		
KEY B, LIGHT GRAY, WITH CLIPSLOT, W/O CPA	33472-4926	B-LG-CLIP	GCP	PLR	CPA	M	RR					4				8	SALEABLE	34951-0811	34951-0821	34951-0831	34951-0841		
KEY A, BLACK																							

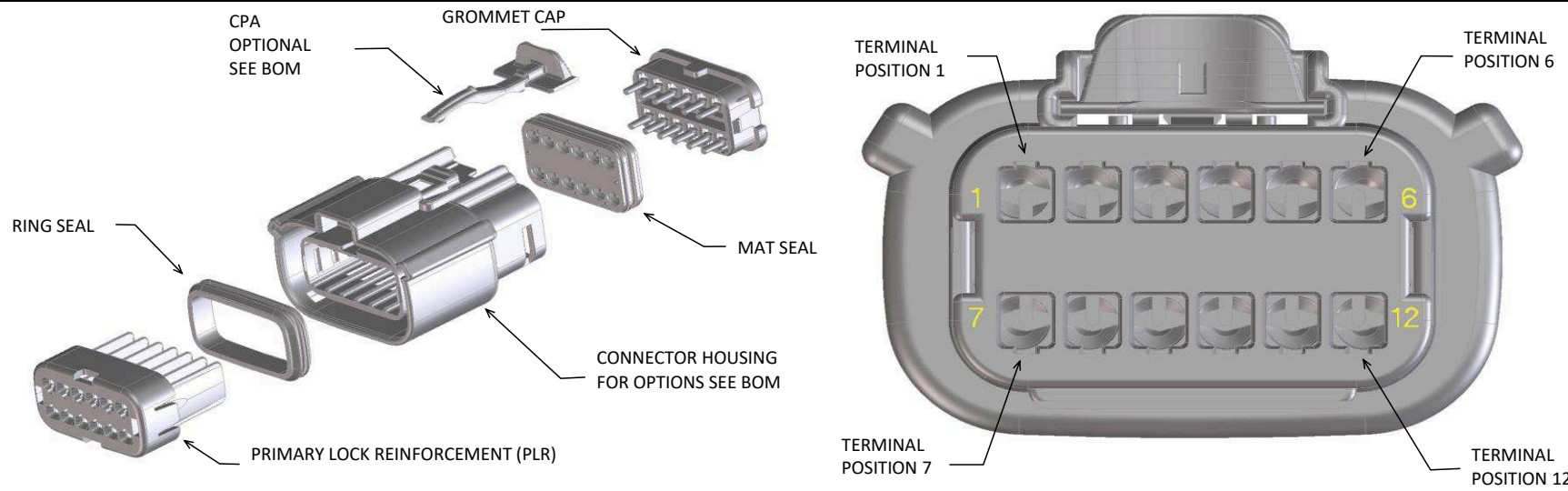


**MX150 RECEPTACLE 2X4 SEALED ASSEMBLY MAT SEAL  
BOM AND PIN OUT SHEET**

ASSEMBLY DESCRIPTION	ASSEMBLY PART NUMBER	COMPONENT							BLOCKED TERMINALS								STATUS	COMMENTS	OPTIONAL ATTACHMENTS SOLD SEPERATELY			
		THE PRESENCE OF AN ABBREVIATION INDICATES THE PRESENCE OF THAT COMPONENT.							CAVITY WITH A NUMBER INDICATES BLOCKED TERMINAL POSITION CAVITY WITHOUT A NUMBER INDICATES OPEN TERMINAL POSITION										BACKSHELL WITH RIBS	BACKSHELL WITHOUT RIBS	90° ADAPTOR WITH RIBS	90° ADAPTOR WITHOUT RIBS
		HOUSING KEY/COLOR	GROMMET CAP	PLR	CPA	MAT SEAL	RING SEAL	1	2	3	4	5	6	7	8							
KEY A, BLACK, WITH CLIPSLOT, W/CPA	33472-4933	A-BLK-CLIP	GCP	PLR	CPA	M	RR								8	SALEABLE		34951-0811	34951-0821	34951-0831	34951-0841	
KEY B, LIGHT GRAY, WITH CLIPSLOT, W/CPA	33472-4934	B-LG-CLIP	GCP	PLR	CPA	M	RR								8	SALEABLE		34951-0811	34951-0821	34951-0831	34951-0841	
KEY A, BLACK, WITH CLIPSLOT, W/CPA	33472-4935	A-BLK-CLIP	GCP	PLR	CPA	M	RR		2	3	4			6	7	8	SALEABLE		34951-0811	34951-0821	34951-0831	34951-0841
KEY A, BLACK, WITH CLIPSLOT, W/O CPA	33472-4936	A-BLK-CLIP	GCP	PLR		M	RR							6	7	8	SALEABLE		34951-0811	34951-0821	34951-0831	34951-0841
KEY A, BLACK, WITH CLIPSLOT, W/O CPA	33472-4937	A-BLK-CLIP	GCP	PLR		M	RR							5		8	SALEABLE		34951-0811	34951-0821	34951-0831	34951-0841
KEY A, BLACK, WITH CLIPSLOT, W/O CPA	33472-4938	A-BLK-CLIP	GCP	PLR		M	RR							5			SALEABLE		34951-0811	34951-0821	34951-0831	34951-0841
KEY A, BLACK, WITH CLIPSLOT, W/O CPA	33472-4939	A-BLK-CLIP	GCP	PLR		M	RR				4	5	6	7	8	SALEABLE		34951-0811	34951-0821	34951-0831	34951-0841	
KEY A, BLACK, WITH CLIPSLOT, W/O CPA	33472-4940	A-BLK-CLIP	GCP	PLR		M	RR	1	2					5	6		SALEABLE		34951-0811	34951-0821	34951-0831	34951-0841
KEY A, BLACK, WITH CLIPSLOT, W/O CPA	33472-4941	A-BLK-CLIP	GCP	PLR		M	RR	1	2	3	4	5	6				SALEABLE		34951-0811	34951-0821	34951-0831	34951-0841
KEY A, BLACK, WITH CLIPSLOT, W/O CPA	33472-4942	A-BLK-CLIP	GCP	PLR		M	RR				4	5	6				SALEABLE		34951-0811	34951-0821	34951-0831	34951-0841
KEY A, BLACK, WITH CLIPSLOT, W/O CPA	33472-4943	A-BLK-CLIP	GCP	PLR		M	RR		2	3				6	7		SALEABLE		34951-0811	34951-0821	34951-0831	34951-0841
KEY A, BLACK, WITH CLIPSLOT, W/O CPA	33472-4944	A-BLK-CLIP	GCP	PLR		M	RR				4	5		7			SALEABLE		34951-0811	34951-0821	34951-0831	34951-0841
KEY A, BLACK, WITH CLIPSLOT, W/O CPA	33472-4945	A-BLK-CLIP	GCP	PLR		M	RR							7			SALEABLE		34951-0811	34951-0821	34951-0831	34951-0841
KEY A, BLACK, WITH CLIPSLOT, W/O CPA	33472-4946	A-BLK-CLIP	GCP	PLR		M	RR			3				7			SALEABLE		34951-0811	34951-0821	34951-0831	34951-0841
KEY A, BLACK, WITH CLIPSLOT, W/O CPA	33472-4947	A-BLK-CLIP	GCP	PLR		M	RR	1		3	4	5	6	7	8		SALEABLE		34951-0811	34951-0821	34951-0831	34951-0841
KEY A, BLACK, WITH CLIPSLOT, W/CPA	33472-5063	A-BLK-CLIP	GCP	PLR	CPA	M	RR					5	6	7	8		SALEABLE		34951-0811	34951-0821	34951-0831	34951-0841
KEY A, BLACK, WITH CLIPSLOT, W/O CPA	33472-5064	A-BLK-CLIP	GCP	PLR		M	RR					5	6	7	8		SALEABLE		34951-0811	34951-0821	34951-0831	34951-0841
KEY B, LIGHT GRAY, W/O CPA	33472-5065	B-LG	GCP	PLR		M	RR	1			4			7	8		SALEABLE		N/A	N/A	N/A	N/A
KEY A, BLACK, W/O CPA	33472-5066	A-BLK	GCP	PLR		M	RR			3							SALEABLE		N/A	N/A	N/A	N/A
KEY A, BLACK, WITH CLIPSLOT, W/O CPA	33472-5067	A-BLK-CLIP	GCP	PLR		M	RR	1						7	8		SALEABLE		34951-0811	34951-0821	34951-0831	34951-0841



MX150 RECEPTACLE 2X6 SEALED ASSEMBLY MAT SEAL  
BOM AND PIN OUT SHEET



FOR ADDITIONAL INFORMATION SEE SD-33472-0001

ABBREVIATION	DESCRIPTION	COLOR	MATERIAL
A-BLK	HOUSING, KEYING OPTION A	BLACK	SPS/NYLON GF20
B-LG	HOUSING, KEYING OPTION B	LIGHT GRAY	SPS/NYLON GF20
C-BR	HOUSING, KEYING OPTION C	BROWN	SPS/NYLON GF20
D-GR	HOUSING, KEYING OPTION D	GREEN	SPS/NYLON GF20
C-DG	HOUSING, KEYING OPTION C	DARK GRAY	SPS/NYLON GF20
D-SG	HOUSING, KEYING OPTION D	STONE GRAY	SPS/NYLON GF20
A-YW	HOUSING, KEYING OPTION A	YELLOW	SPS/NYLON GF20
A-BLK-CLIP	HOUSING, KEYING OPTION A WITH CLIPSLOT	BLACK	SPS/NYLON GF20
B-LG-CLIP	HOUSING, KEYING OPTION B WITH CLIPSLOT	LIGHT GRAY	SPS/NYLON GF20
C-BR-CLIP	HOUSING, KEYING OPTION C WITH CLIPSLOT	BROWN	SPS/NYLON GF20
D-GR-CLIP	HOUSING, KEYING OPTION D WITH CLIPSLOT	GREEN	SPS/NYLON GF20
C-DG-CLIP	HOUSING, KEYING OPTION C WITH CLIPSLOT	DARK GRAY	SPS/NYLON GF20
D-SG-CLIP	HOUSING, KEYING OPTION D WITH CLIPSLOT	STONE GRAY	SPS/NYLON GF20
GC	GROMMET CAP	BLACK	SPS/NYLON GF20
PLR	PLR	NATURAL	SPS/NYLON GF20
CPA	CPA	RED	PBT GF30
M	MAT SEAL	LIGHT BLUE	INHERENTLY LUBRICATED SILICONE
R	RING SEAL	GREEN	INHERENTLY LUBRICATED SILICONE

ASSEMBLY DESCRIPTION	ASSEMBLY PART NUMBER	COMPONENT							BLOCKED TERMINALS												STATUS	COMMENTS	OPTIONAL ATTACHMENTS SOLD SEPERATELY					
		THE PRESENCE OF AN ABBREVIATION INDICATES THE PRESENCE OF THAT COMPONENT.							CAVITY WITH A NUMBER INDICATES BLOCKED TERMINAL POSITION CAVITY WITHOUT A NUMBER INDICATES OPEN TERMINAL POSITION														BACKSHELL WITH RIBS	BACKSHELL WITHOUT RIBS				
		HOUSING KEY/COLOR	GROMMET CAP	PLR	CPA	MAT SEAL	RING SEAL	1	2	3	4	5	6	7	8	9	10	11	12									
KEY A, BLACK, W/O CPA	33472-1201	A-BLK	GC	PLR		M	R																	SALEABLE		34951-1210	34951-1220	
KEY B, LIGHT GRAY, W/O CPA	33472-1202	B-LG	GC	PLR		M	R																		SALEABLE		34951-1210	34951-1220
KEY C, BROWN, W/O CPA	33472-1203	C-BR	GC	PLR		M	R																	NOT RECOMMENDED	SEE P/N 33472-1253	34951-1210	34951-1220	
KEY D, GREEN, W/O CPA	33472-1204	D-GR	GC	PLR		M	R																	NOT RECOMMENDED	SEE P/N 33472-1254	34951-1210	34951-1220	
VOID KEY	33472-1205																											
KEY A, BLACK, W/CPA	33472-1206	A-BLK	GC	PLR	CPA	M	R																		SALEABLE		34951-1210	34951-1220
KEY B, LIGHT GRAY, W/CPA	33472-1207	B-LG	GC	PLR	CPA	M	R																		SALEABLE		34951-1210	34951-1220
KEY C, BROWN, W/CPA	33472-1208	C-BR	GC	PLR	CPA	M	R																	NOT RECOMMENDED	SEE P/N 33472-1259	34951-1210	34951-1220	
KEY D, GREEN, W/CPA	33472-1209	D-GR	GC	PLR	CPA	M	R																	NOT RECOMMENDED	SEE P/N 33472-1260	34951-1210	34951-1220	
VOID KEY	33472-1210																											
KEY A, BLACK, W/O CPA	33472-1211	A-BLK	GC	PLR		M	R																		SALEABLE		34951-1210	34951-1220
KEY B, LIGHT GRAY, W/O CPA	33472-1212	B-LG	GC	PLR		M	R																		SALEABLE		34951-1210	34951-1220
KEY C, BROWN, W/O CPA	33472-1213	C-BR	GC	PLR		M	R																	NOT RECOMMENDED		34951-1210	34951-1220	
KEY D, GREEN, W/O CPA	33472-1214	D-GR	GC	PLR		M	R																	NOT RECOMMENDED		34951-1210	34951-1220	
VOID KEY	33472-1215																											
KEY A, BLACK, W/CPA	33472-1216	A-BLK	GC	PLR	CPA	M	R																		SALEABLE		34951-1210	34951-1220
KEY B, LIGHT GRAY, W/CPA	33472-1217	B-LG	GC	PLR	CPA	M	R																		SALEABLE		34951-1210	34951-1220
KEY C, BROWN, W/CPA	33472-1218	C-BR	GC	PLR	CPA	M	R																	NOT RECOMMENDED		34951-1210	34951-1220	
KEY D, GREEN, W/CPA	33472-1219	D-GR	GC	PLR	CPA	M	R																	NOT RECOMMENDED		34951-1210	34951-1220	
VOID KEY	33472-1220																											
KEY A, BLACK, W/O CPA	33472-1221	A-BLK	GC	PLR		M	R																		SALEABLE		34951-1210	34951-1220
KEY B, LIGHT GRAY, W/O CPA	33472-1222	B-LG	GC	PLR		M	R																		SALEABLE		34951-1210	34951-1220
KEY C, BROWN, W/O CPA	33472-1223	C-BR	GC	PLR		M	R																	NOT RECOMMENDED		34951-1210	34951-1220	
KEY D, GREEN, W/O CPA	33472-1224	D-GR	GC	PLR		M	R																	NOT RECOMMENDED		34951-1210	34951-1220	
VOID KEY	33472-1225																											
KEY A, BLACK, W/CPA	33472-1226	A-BLK	GC	PLR	CPA	M	R																		SALEABLE		34951-1210	34951-1220
KEY B, LIGHT GRAY, W/CPA	33472-1227	B-LG	GC	PLR	CPA	M	R																		SALEABLE		34951-1210	34951-1220
KEY C, BROWN, W/CPA	33472-1228	C-BR	GC	PLR	CPA	M	R																	NOT RECOMMENDED		34951-1210	34951-1220	
KEY D, GREEN, W/CPA	33472-1229	D-GR	GC	PLR	CPA	M	R																	NOT RECOMMENDED		34951-1210	34951-1220	
VOID KEY	33472-1230																											
KEY A, BLACK, W/O CPA	33472-1231	A-BLK	GC	PLR		M	R	1																	SALEABLE		34951-1210	34951-1220
KEY B, LIGHT GRAY, W/O CPA	33472-1232	B-LG	GC	PLR		M	R	1																	SALEABLE		34951-1210	34951-1220
KEY C, BROWN, W/O CPA	33472-1233	C-BR	GC	PLR		M	R	1																NOT RECOMMENDED		34951-1210	34951-1220	
KEY D, GREEN, W/O CPA	33472-1234	D-GR	GC	PLR		M	R	1																NOT RECOMMENDED		34951-1210	34951-1220	
VOID KEY	33472-1235																											
KEY A, BLACK, W/CPA	33472-1236	A-BLK	GC	PLR	CPA	M	R	1																	SALEABLE		34951-1210	34951-1220
KEY B, LIGHT GRAY, W/CPA	33472-1237	B-LG	GC	PLR	CPA	M	R	1																	SALEABLE		34951-1210	34951-1220
KEY C, BROWN, W/CPA	33472-1238	C-BR	GC	PLR	CPA	M	R	1																NOT RECOMMENDED		34951-1210	34951-1220	
KEY D, GREEN, W/CPA	33472-1239	D-GR	GC	PLR	CPA	M	R	1																NOT RECOMMENDED		34951-1210	34951-1220	
VOID KEY	33472-1240																											
KEY A, BLACK, W/O CPA	33472-1241	A-BLK	GC	PLR		M	R	1																	SALEABLE		34951-1210	34951-1220
KEY B, LIGHT GRAY, W/O CPA	33472-1242	B-LG	GC	PLR		M	R	1																	SALEABLE		34951-1210	34951-1220
KEY C, BROWN, W/O CPA	33472-1243	C-BR	GC	PLR		M	R	1																NOT RECOMMENDED		34951-1210	34951-1220	
KEY D, GREEN, W/O CPA	33472-1244	D-GR	GC	PLR		M	R	1																NOT RECOMMENDED		34951-1210	34951-1220	
VOID KEY	33472-1245																											
KEY A, BLACK, W/CPA	33472-1246	A-BLK	GC	PLR	CPA	M	R	1																	SALEABLE		34951-1210	34951-1220
KEY B, LIGHT GRAY, W/CPA	33472-1247	B-LG	GC	PLR	CPA	M	R	1																	SALEABLE		34951-1210	34951-1220
KEY C, BROWN, W/CPA	33472-1248	C-BR	GC	PLR	CPA	M	R	1																NOT RECOMMENDED		34951-1210	34951-1220	
KEY D, GREEN, W/CPA	33472-1249	D-GR	GC	PLR	CPA	M	R	1																NOT RECOMMENDED		34951-1210	34951-1220	
VOID KEY	33472-1250																											
KEY A, BLACK, W/O CPA	33472-1251	A-BLK	GC	PLR		M	R																		SALEABLE		34951-1210	34951-1220
KEY A, BLACK, W/CPA	33472-1252	A-BLK	GC	PLR	CPA	M	R																		SALEABLE		34951-1210	34951-1220
KEY C, DARK GRAY, W/O CPA	33472-1253	C-DG	GC	PLR		M	R																		SALEABLE		34951-1210	34951-1220
KEY D, STONE GRAY, W/O CPA	33472-1254	D-SG	GC	PLR		M	R																		SALEABLE		34951-1210	34951-1220

MX150 RECEPTACLE 2X6 SEALED ASSEMBLY MAT SEAL  
BOM AND PIN OUT SHEET

ASSEMBLY DESCRIPTION	ASSEMBLY PART NUMBER	COMPONENT							BLOCKED TERMINALS												STATUS	COMMENTS	OPTIONAL ATTACHMENTS SOLD SEPERATELY	
		THE PRESENCE OF AN ABBREVIATION INDICATES THE PRESENCE OF THAT COMPONENT.							CAVITY WITH A NUMBER INDICATES BLOCKED TERMINAL POSITION CAVITY WITHOUT A NUMBER INDICATES OPEN TERMINAL POSITION														BACKSHELL WITH RIBS	BACKSHELL WITHOUT RIBS
		HOUSING KEY/COLOR	GROMMET CAP	PLR	CPA	MAT SEAL	RING SEAL	1	2	3	4	5	6	7	8	9	10	11	12					
KEY A, BLACK, W/CPA	33472-1255	A-BLK	GC	PLR	CPA	M	R											11		SALEABLE		34951-1210	34951-1220	
KEY A, BLACK, W/CPA	33472-1256	A-BLK	GC	PLR	CPA	M	R											11	12	SALEABLE		34951-1210	34951-1220	
KEY A, BLACK, W/O CPA	33472-1257	A-BLK	GC	PLR		M	R									8		10	12	SALEABLE		34951-1210	34951-1220	
KEY A, BLACK, W/O CPA	33472-1258	A-BLK	GC	PLR		M	R	1	2	3	4	5	6	7	8	9	10	11	12	SALEABLE		34951-1210	34951-1220	
KEY C, DARK GRAY, W/CPA	33472-1259	C-DG	GC	PLR	CPA	M	R													SALEABLE		34951-1210	34951-1220	
KEY D, STONE GRAY, W/CPA	33472-1260	D-SG	GC	PLR	CPA	M	R													SALEABLE		34951-1210	34951-1220	
KEY A, BLACK, W/O CPA	33472-1261	A-BLK	GC	PLR		M	R									9	10	12	SALEABLE		34951-1210	34951-1220		
KEY A, BLACK, W/CPA	33472-1262	A-BLK	GC	PLR	CPA	M	R							8	9	10	11	12	SALEABLE		34951-1210	34951-1220		
KEY B, LIGHT GRAY, W/CPA	33472-1263	B-LG	GC	PLR	CPA	M	R												12	SALEABLE		34951-1210	34951-1220	
KEY C, DARK GRAY, W/CPA	33472-1264	C-DG	GC	PLR	CPA	M	R											11	12	SALEABLE		34951-1210	34951-1220	
KEY D, STONE GRAY, W/CPA	33472-1265	D-SG	GC	PLR	CPA	M	R												12	SALEABLE		34951-1210	34951-1220	
KEY A, BLACK, W/CPA	33472-1266	A-BLK	GC	PLR	CPA	M	R											11	12	SALEABLE		34951-1210	34951-1220	
KEY D, STONE GRAY, W/CPA	33472-1267	D-SG	GC	PLR	CPA	M	R	1					6	7						SALEABLE		34951-1210	34951-1220	
KEY A, BLACK, W/CPA	33472-1268	A-BLK	GC	PLR	CPA	M	R	1						7						SALEABLE		34951-1210	34951-1220	
KEY A, BLACK, W/CPA	33472-1269	A-BLK	GC	PLR	CPA	M	R	1	2		4		6	7	8		10	11	12	SALEABLE		34951-1210	34951-1220	
KEY A, BLACK, W/CPA	33472-1270	A-BLK	GC	PLR	CPA	M	R							7						SALEABLE		34951-1210	34951-1220	
KEY A, BLACK, W/CPA	33472-1271	A-BLK	GC	PLR	CPA	M	R				4		6				10	11	12	SALEABLE		34951-1210	34951-1220	
KEY A, BLACK, W/CPA	33472-1272	A-BLK	GC	PLR	CPA	M	R						6			9	10	11	12	SALEABLE		34951-1210	34951-1220	
KEY A, BLACK, W/O CPA	33472-1273	A-BLK	GC	PLR		M	R						6			9	10	11	12	SALEABLE		34951-1210	34951-1220	
KEY A, BLACK, W/CPA	33472-1274	A-BLK	GC	PLR	CPA	M	R						6					11	12	SALEABLE		34951-1210	34951-1220	
KEY A, BLACK, W/O CPA	33472-1275	A-BLK	GC	PLR		M	R	1	2	3	4	5	6		8					SALEABLE		34951-1210	34951-1220	
KEY A, BLACK, W/O CPA	33472-1276	A-BLK	GC	PLR		M	R	1					6							SALEABLE		34951-1210	34951-1220	
KEY A, BLACK, W/O CPA	33472-1277	A-BLK	GC	PLR		M	R	1						7					12	SALEABLE		34951-1210	34951-1220	
KEY B, LIGHT GRAY, W/CPA	33472-1278	B-LG	GC	PLR	CPA	M	R										10	11		SALEABLE		34951-1210	34951-1220	
KEY A, BLACK, W/O CPA	33472-1279	A-BLK	GC	PLR		M	R							7				11		SALEABLE		34951-1210	34951-1220	
KEY A, BLACK, W/O CPA	33472-1280	A-BLK	GC	PLR		M	R		2					7						SALEABLE		34951-1210	34951-1220	
KEY A, BLACK, W/O CPA	33472-1281	A-BLK	GC	PLR		M	R	1			4					9			12	SALEABLE		34951-1210	34951-1220	
KEY A, BLACK, W/CPA	33472-1282	A-BLK	GC	PLR	CPA	M	R	1	2				6	7	8				12	SALEABLE		34951-1210	34951-1220	
KEY A, BLACK, W/CPA	33472-1283	A-BLK	GC	PLR	CPA	M	R	1						7					12	SALEABLE		34951-1210	34951-1220	
KEY A, BLACK, W/CPA	33472-1284	A-BLK	GC	PLR	CPA	M	R	1	2	3	4	5	6		8					SALEABLE		34951-1210	34951-1220	
KEY A, BLACK, W/CPA	33472-1285	A-BLK	GC	PLR	CPA	M	R	1					6							SALEABLE		34951-1210	34951-1220	
KEY C, DARK GRAY, W/CPA	33472-1286	C-DG	GC	PLR	CPA	M	R	1					6	7						SALEABLE		34951-1210	34951-1220	
KEY A, BLACK, W/CPA	33472-1287	A-BLK	GC	PLR	CPA	M	R										10	11	12	SALEABLE		34951-1210	34951-1220	
KEY C, DARK GRAY, W/CPA	33472-1288	C-DG	GC	PLR	CPA	M	R												12	SALEABLE		34951-1210	34951-1220	
KEY C, DARK GRAY, W/CPA	33472-1289	C-DG	GC	PLR	CPA	M	R									9	10	11	12	SALEABLE		34951-1210	34951-1220	
KEY A, BLACK, W/CPA	33472-1290	A-BLK	GC	PLR	CPA	M	R									9				SALEABLE		34951-1210	34951-1220	
KEY A, BLACK, W/CPA	33472-1291	A-BLK	GC	PLR	CPA	M	R	1					5	6	7	8			12	SALEABLE		34951-1210	34951-1220	
KEY A, YELLOW, W/CPA	33472-1292	A-YW	GC	PLR	CPA	M	R													SALEABLE		34951-1210	34951-1220	
KEY A, BLACK, W/CPA	33472-1293	A-BLK	GC	PLR	CPA	M	R	1												SALEABLE		34951-1210	34951-1220	
KEY A, BLACK, W/CPA	33472-1294	A-BLK	GC	PLR	CPA	M	R				4			7	8					SALEABLE		34951-1210	34951-1220	
KEY D, STONE GRAY, W/CPA	33472-1295	D-SG	GC	PLR	CPA	M	R								8		10	12		SALEABLE		34951-1210	34951-1220	
KEY A, BLACK, W/CPA	33472-1296	A-BLK	GC	PLR	CPA	M	R								8	9	10	11	12	SALEABLE		34951-1210	34951-1220	
KEY A, BLACK, W/CPA	33472-1297	A-BLK	GC	PLR	CPA	M	R	1	2	3	4	5	6		9	10	11	12		SALEABLE		34951-1210	34951-1220	
KEY A, BLACK, WITH CLIPSLOT, W/O CPA	33472-1301	A-BLK-CLIP	GC	PLR		M	R													SALEABLE		N/A	N/A	
KEY B, LIGHT GRAY, WITH CLIPSLOT, W/O CPA	33472-1302	B-LG-CLIP	GC	PLR		M	R													SALEABLE		N/A	N/A	
KEY C, BROWN, WITH CLIPSLOT, W/O CPA	33472-1303	C-BR-CLIP	GC	PLR		M	R													NOT RECOMMENDED	SEE P/N 33472-1407	N/A	N/A	
KEY D, GREEN, WITH CLIPSLOT, W/O CPA	33472-1304	D-GR-CLIP	GC	PLR		M	R													NOT RECOMMENDED	SEE P/N 33472-1408	N/A	N/A	
VOID KEY	33472-1305																							
KEY A, BLACK, WITH CLIPSLOT, W/CPA	33472-1306	A-BLK-CLIP	GC	PLR	CPA	M	R													SALEABLE		N/A	N/A	
KEY B, LIGHT GRAY, WITH CLIPSLOT, W/CPA	33472-1307	B-LG-CLIP	GC	PLR	CPA	M	R													SALEABLE		N/A	N/A	
KEY C, BROWN, WITH CLIPSLOT, W/CPA	33472-1308	C-BR-CLIP	GC	PLR	CPA	M	R													NOT RECOMMENDED	SEE P/N 33472-1409	N/A	N/A	
KEY D, GREEN, WITH CLIPSLOT, W/CPA	33472-1309	D-GR-CLIP	GC	PLR	CPA	M	R													NOT RECOMMENDED	SEE P/N 33472-1410	N/A	N/A	
VOID KEY	33472-1310																							
KEY A, BLACK, WITH CLIPSLOT, W/O CPA	33472-1311	A-BLK-CLIP	GC	PLR		M	R	1	2	3	4	5	6	7	8	9	10	11	12	SALEABLE		N/A	N/A	
KEY B, LIGHT GRAY, WITH CLIPSLOT, W/O CPA	33472-1312	B-LG-CLIP	GC	PLR		M	R	1	2	3	4	5	6	7	8	9	10	11	12	SALEABLE		N/A	N/A	
KEY C, BROWN, WITH CLIPSLOT, W/O CPA	33472-1313	C-BR-CLIP	GC	PLR		M	R	1	2	3	4	5	6	7	8	9	10	11	12	NOT RECOMMENDED	SEE P/N 33472-1411	N/A	N/A	
KEY D, GREEN, WITH CLIPSLOT, W/O CPA	33472-1314	D-GR-CLIP	GC	PLR		M	R	1	2	3	4	5	6	7	8	9	10	11	12	NOT RECOMMENDED	SEE P/N 33472-1412	N/A	N/A	
VOID KEY	33472-1315																							
KEY A, BLACK, WITH CLIPSLOT, W/CPA	33472-1316	A-BLK-CLIP	GC	PLR	CPA	M	R	1	2	3	4	5	6	7	8	9	10	11	12	SALEABLE		N/A	N/A	
KEY B, LIGHT GRAY, WITH CLIPSLOT, W/CPA	33472-1317	B-LG-CLIP	GC	PLR	CPA	M	R	1	2	3	4	5	6	7	8	9	10	11	12	SALEABLE		N/A	N/A	
KEY C, BROWN, WITH CLIPSLOT, W/CPA	33472-1318	C-BR-CLIP	GC	PLR	CPA	M	R	1	2	3	4	5	6	7	8	9	10	11	12	NOT RECOMMENDED	SEE P/N 33472-1413	N/A	N/A	
KEY D, GREEN, WITH CLIPSLOT, W/CPA	33472-1319	D-GR-CLIP	GC	PLR	CPA	M	R	1	2	3	4	5	6	7	8	9	10	11	12	NOT RECOMMENDED	SEE P/N 33472-1414	N/A	N/A	
VOID KEY	33472-1320																							
KEY A, BLACK, WITH CLIPSLOT, W/O CPA	33472-1321	A-BLK-CLIP	GC	PLR		M	R			2	3				8			11		SALEABLE		N/A	N/A	
KEY A, BLACK, WITH CLIPSLOT, W/O CPA	33472-1322	A-BLK-CLIP	GC	PLR		M	R			2	3		5	6	7	8		11		SALEABLE		N/A	N/A	
KEY A, BLACK, WITH CLIPSLOT, W/O CPA	33472-1323	A-BLK-CLIP	GC	PLR		M	R						6	7						SALEABLE		N/A	N/A	
KEY A, BLACK, WITH CLIPSLOT, W/O CPA	33472-1324	A-BLK-CLIP	GC	PLR		M	R			2	3		6	7	8		10	11		SALEABLE		N/A	N/A	
KEY A, BLACK, WITH CLIPSLOT, W/O CPA	33472-1325	A-BLK-CLIP	GC	PLR		M	R	1					5	6	7	8				SALEABLE		N/A	N/A	
KEY B, LIGHT GRAY, WITH CLIPSLOT, W/O CPA	33472-1326	B-LG-CLIP	GC	PLR		M	R	1					5	6	7	8	9	10		SALEABLE		N/A	N/A	
KEY A, BLACK, WITH CLIPSLOT, W/O CPA	33472-1327	A-BLK-CLIP	GC	PLR		M	R			2										SALEABLE		N/A	N/A	
KEY B, LIGHT GRAY, WITH CLIPSLOT, W/O CPA	33472-1328	B-LG-CLIP	GC	PLR		M	R			2						9	10			SALEABLE		N/A	N/A	
KEY A, BLACK, WITH CLIPSLOT, W/O CPA	33472-1329	A-BLK-CLIP	GC	PLR		M	R			2	3				8	9	10	11		SALEABLE		N/A	N/A	
KEY A, BLACK, WITH CLIPSLOT, W/O CPA	3																							

MX150 RECEPTACLE 2X6 SEALED ASSEMBLY MAT SEAL  
BOM AND PIN OUT SHEET

ASSEMBLY DESCRIPTION	ASSEMBLY PART NUMBER	COMPONENT						BLOCKED TERMINALS												STATUS	COMMENTS	OPTIONAL ATTACHMENTS SOLD SEPARATELY	
		THE PRESENCE OF AN ABBREVIATION INDICATES THE PRESENCE OF THAT COMPONENT.						CAVITY WITH A NUMBER INDICATES BLOCKED TERMINAL POSITION CAVITY WITHOUT A NUMBER INDICATES OPEN TERMINAL POSITION														BACKSHELL WITH RIBS	BACKSHELL WITHOUT RIBS
		HOUSING KEY/COLOR	GROMMET CAP	PLR	CPA	MAT SEAL	RING SEAL	1	2	3	4	5	6	7	8	9	10	11	12				
KEY A, BLACK, WITH CLIPSLOT, W/O CPA	33472-1339	A-BLK-CLIP	GC	PLR		M	R				4	5	6	7	8	9				SALEABLE		N/A	N/A
KEY A, BLACK, WITH CLIPSLOT, W/O CPA	33472-1340	A-BLK-CLIP	GC	PLR		M	R						6	7	8					SALEABLE		N/A	N/A
KEY A, BLACK, WITH CLIPSLOT, W/O CPA	33472-1341	A-BLK-CLIP	GC	PLR		M	R		2		4	5			8			10	11	SALEABLE		N/A	N/A
KEY A, BLACK, WITH CLIPSLOT, W/O CPA	33472-1342	A-BLK-CLIP	GC	PLR		M	R				4					9	10			SALEABLE		N/A	N/A
KEY A, BLACK, WITH CLIPSLOT, W/O CPA	33472-1343	A-BLK-CLIP	GC	PLR		M	R	1					6	7						SALEABLE		N/A	N/A
KEY A, BLACK, WITH CLIPSLOT, W/O CPA	33472-1344	A-BLK-CLIP	GC	PLR		M	R											11		SALEABLE		N/A	N/A
KEY A, BLACK, WITH CLIPSLOT, W/O CPA	33472-1345	A-BLK-CLIP	GC	PLR		M	R						7							SALEABLE		N/A	N/A
KEY A, BLACK, WITH CLIPSLOT, W/O CPA	33472-1346	A-BLK-CLIP	GC	PLR		M	R		2	3	4	5					10	11	12	SALEABLE		N/A	N/A
KEY A, BLACK, WITH CLIPSLOT, W/O CPA	33472-1347	A-BLK-CLIP	GC	PLR		M	R	1					6	7		9				SALEABLE		N/A	N/A
KEY A, BLACK, WITH CLIPSLOT, W/O CPA	33472-1348	A-BLK-CLIP	GC	PLR		M	R		2	3	4	5	6	7	8		10	11	12	SALEABLE		N/A	N/A
KEY A, BLACK, WITH CLIPSLOT, W/CPA	33472-1349	A-BLK-CLIP	GC	PLR	CPA	M	R			3		5						11		SALEABLE		N/A	N/A
KEY A, BLACK, WITH CLIPSLOT, W/O CPA	33472-1350	A-BLK-CLIP	GC	PLR		M	R		2	3								11		SALEABLE		N/A	N/A
KEY A, BLACK, WITH CLIPSLOT, W/O CPA	33472-1351	A-BLK-CLIP	GC	PLR		M	R	1	2	3	4	5				9	10	11	12	SALEABLE		N/A	N/A
KEY A, BLACK, WITH CLIPSLOT, W/O CPA	33472-1352	A-BLK-CLIP	GC	PLR		M	R											11	12	SALEABLE		N/A	N/A
KEY A, BLACK, WITH CLIPSLOT, W/O CPA	33472-1353	A-BLK-CLIP	GC	PLR		M	R		2	3						9	10	11		SALEABLE		N/A	N/A
KEY A, BLACK, WITH CLIPSLOT, W/O CPA	33472-1354	A-BLK-CLIP	GC	PLR		M	R	1	2	3	4	5			8	9	10	11	12	SALEABLE		N/A	N/A
KEY A, BLACK, WITH CLIPSLOT, W/O CPA	33472-1355	A-BLK-CLIP	GC	PLR		M	R	1	2	3	4	5							12	SALEABLE		N/A	N/A
KEY A, BLACK, WITH CLIPSLOT, W/O CPA	33472-1356	A-BLK-CLIP	GC	PLR		M	R			3	4	5								SALEABLE		N/A	N/A
KEY A, BLACK, WITH CLIPSLOT, W/O CPA	33472-1357	A-BLK-CLIP	GC	PLR		M	R			3	4	5	6	7	8	9	10	11		SALEABLE		N/A	N/A
KEY A, BLACK, WITH CLIPSLOT, W/O CPA	33472-1358	A-BLK-CLIP	GC	PLR		M	R		2	3					8	9	10	11	12	SALEABLE		N/A	N/A
KEY A, BLACK, WITH CLIPSLOT, W/CPA	33472-1359	A-BLK-CLIP	GC	PLR	CPA	M	R					5			8	9		11		SALEABLE		N/A	N/A
KEY A, BLACK, WITH CLIPSLOT, W/O CPA	33472-1360	A-BLK-CLIP	GC	PLR		M	R		2	3										SALEABLE		N/A	N/A
KEY A, BLACK, WITH CLIPSLOT, W/O CPA	33472-1361	A-BLK-CLIP	GC	PLR		M	R	1	2	3								11	12	SALEABLE		N/A	N/A
KEY A, BLACK, WITH CLIPSLOT, W/O CPA	33472-1362	A-BLK-CLIP	GC	PLR		M	R	1	2	3	4		6		8		10	11	12	SALEABLE		N/A	N/A
KEY A, BLACK, WITH CLIPSLOT, W/O CPA	33472-1363	A-BLK-CLIP	GC	PLR		M	R		2		4		6		8		10	11	12	SALEABLE		N/A	N/A
KEY A, BLACK, WITH CLIPSLOT, W/O CPA	33472-1364	A-BLK-CLIP	GC	PLR		M	R											11	12	SALEABLE		N/A	N/A
KEY A, BLACK, WITH CLIPSLOT, W/O CPA	33472-1365	A-BLK-CLIP	GC	PLR		M	R	1	2	3	4	5	6			9				SALEABLE		N/A	N/A
KEY A, BLACK, WITH CLIPSLOT, W/O CPA	33472-1366	A-BLK-CLIP	GC	PLR		M	R						6			9				SALEABLE		N/A	N/A
KEY A, BLACK, WITH CLIPSLOT, W/O CPA	33472-1367	A-BLK-CLIP	GC	PLR		M	R		2					7	8	9				SALEABLE		N/A	N/A
KEY A, BLACK, WITH CLIPSLOT, W/O CPA	33472-1368	A-BLK-CLIP	GC	PLR		M	R			3	4	5	6	7						SALEABLE		N/A	N/A
KEY A, BLACK, WITH CLIPSLOT, W/O CPA	33472-1369	A-BLK-CLIP	GC	PLR		M	R	1	2	3	4	5	6	7					12	SALEABLE		N/A	N/A
KEY A, BLACK, WITH CLIPSLOT, W/O CPA	33472-1370	A-BLK-CLIP	GC	PLR		M	R	1	2	3	4	5		7	8	9	10	11		SALEABLE		N/A	N/A
KEY A, BLACK, WITH CLIPSLOT, W/O CPA	33472-1371	A-BLK-CLIP	GC	PLR		M	R		2		4		6			10	11			SALEABLE		N/A	N/A
KEY A, BLACK, WITH CLIPSLOT, W/O CPA	33472-1372	A-BLK-CLIP	GC	PLR		M	R								8					SALEABLE		N/A	N/A
KEY A, BLACK, WITH CLIPSLOT, W/O CPA	33472-1373	A-BLK-CLIP	GC	PLR		M	R	1		3	4	5	6	7	8		10	11	12	SALEABLE		N/A	N/A
KEY A, BLACK, WITH CLIPSLOT, W/O CPA	33472-1374	A-BLK-CLIP	GC	PLR		M	R						6			9	10	11	12	SALEABLE		N/A	N/A
KEY A, BLACK, WITH CLIPSLOT, W/O CPA	33472-1375	A-BLK-CLIP	GC	PLR		M	R												12	SALEABLE		N/A	N/A
KEY A, BLACK, WITH CLIPSLOT, W/O CPA	33472-1376	A-BLK-CLIP	GC	PLR		M	R						6						12	SALEABLE		N/A	N/A
KEY A, BLACK, WITH CLIPSLOT, W/O CPA	33472-1377	A-BLK-CLIP	GC	PLR		M	R	1	2			5	6	7	8			11	12	SALEABLE		N/A	N/A
KEY A, BLACK, WITH CLIPSLOT, W/O CPA	33472-1378	A-BLK-CLIP	GC	PLR		M	R									9				SALEABLE		N/A	N/A
KEY A, BLACK, WITH CLIPSLOT, W/O CPA	33472-1379	A-BLK-CLIP	GC	PLR		M	R			3	4					9	10	11	12	SALEABLE		N/A	N/A
KEY A, BLACK, WITH CLIPSLOT, W/O CPA	33472-1380	A-BLK-CLIP	GC	PLR		M	R	1	2	3	4	5	6	7	8	9				SALEABLE		N/A	N/A
KEY A, BLACK, WITH CLIPSLOT, W/O CPA	33472-1381	A-BLK-CLIP	GC	PLR		M	R	1	2			5	6	7	8					SALEABLE		N/A	N/A
KEY A, BLACK, WITH CLIPSLOT, W/O CPA	33472-1382	A-BLK-CLIP	GC	PLR		M	R				4				8		10			SALEABLE		N/A	N/A
KEY A, BLACK, WITH CLIPSLOT, W/O CPA	33472-1383	A-BLK-CLIP	GC	PLR		M	R	1	2	3	4	5	6			9	10	11	12	SALEABLE		N/A	N/A
KEY A, BLACK, WITH CLIPSLOT, W/O CPA	33472-1384	A-BLK-CLIP	GC	PLR		M	R	1			4							11		SALEABLE		N/A	N/A
KEY A, BLACK, WITH CLIPSLOT, W/O CPA	33472-1385	A-BLK-CLIP	GC	PLR		M	R									9	10	11	12	SALEABLE		N/A	N/A
KEY A, BLACK, WITH CLIPSLOT, W/O CPA	33472-1386	A-BLK-CLIP	GC	PLR		M	R	1	2	3	4	5	6	7	8				12	SALEABLE		N/A	N/A
KEY A, BLACK, WITH CLIPSLOT, W/O CPA	33472-1387	A-BLK-CLIP	GC	PLR		M	R	1	2				6	7	8					SALEABLE		N/A	N/A
KEY A, BLACK, WITH CLIPSLOT, W/O CPA	33472-1388	A-BLK-CLIP	GC	PLR		M	R	1	2					7	8					SALEABLE		N/A	N/A
KEY A, BLACK, WITH CLIPSLOT, W/O CPA	33472-1389	A-BLK-CLIP	GC	PLR		M	R	1					6	7	8				12	SALEABLE		N/A	N/A
KEY A, BLACK, WITH CLIPSLOT, W/O CPA	33472-1390	A-BLK-CLIP	GC	PLR		M	R							7	8					SALEABLE		N/A	N/A
KEY A, BLACK, WITH CLIPSLOT, W/O CPA	33472-1391	A-BLK-CLIP	GC	PLR		M	R		2		4			7	8	9	10			SALEABLE		N/A	N/A
KEY A, BLACK, WITH CLIPSLOT, W/O CPA	33472-1392	A-BLK-CLIP	GC	PLR		M	R			3		5	6	7	8	9	10	11	12	SALEABLE		N/A	N/A
KEY A, BLACK, WITH CLIPSLOT, W/O CPA	33472-1393	A-BLK-CLIP	GC	PLR		M	R			3				7		9	10	11	12	SALEABLE		N/A	N/A
KEY A, BLACK, WITH CLIPSLOT, W/O CPA	33472-1394	A-BLK-CLIP	GC	PLR		M	R									10	11	12		SALEABLE		N/A	N/A
KEY A, BLACK, WITH CLIPSLOT, W/O CPA	33472-1395	A-BLK-CLIP	GC	PLR		M	R	1	2	3	4		6	7	8	9	10		12	SALEABLE		N/A	N/A
KEY A, BLACK, WITH CLIPSLOT, W/O CPA	33472-1396	A-BLK-CLIP	GC	PLR		M	R	1	2	3	4			7	8	9	10			SALEABLE		N/A	N/A
KEY A, BLACK, WITH CLIPSLOT, W/O CPA	33472-1397	A-BLK-CLIP	GC	PLR		M	R						6		8	9	10	11	12	SALEABLE		N/A	N/A
KEY B, LIGHT GRAY, WITH CLIPSLOT, W/O CPA	33472-1398	B-LG-CLIP	GC	PLR		M	R									10	11	12		SALEABLE		N/A	N/A
KEY B, LIGHT GRAY, WITH CLIPSLOT, W/O CPA	33472-1399	B-LG-CLIP	GC	PLR		M	R						6	7			10	11	12	SALEABLE		N/A	N/A
KEY B, LIGHT GRAY, WITH CLIPSLOT, W/O CPA	33472-1400	B-LG-CLIP	GC	PLR		M	R	1	2	3	4	5	6	7						SALEABLE		N/A	N/A
KEY B, LIGHT GRAY, WITH CLIPSLOT, W/O CPA	33472-1401	B-LG-CLIP	GC	PLR		M	R	1	2	3	4	5	6			9	10	11	12	SALEABLE		N/A	N/A
KEY B, LIGHT GRAY, WITH CLIPSLOT, W/O CPA	33472-1402	B-LG-CLIP	GC	PLR		M	R										11	12		SALEABLE		N/A	N/A
KEY B, LIGHT GRAY, WITH CLIPSLOT, W/O CPA	33472-1403	B-LG-CLIP	GC	PLR		M	R					5	6			9	10	11	12	SALEABLE		N/A	N/A
KEY B, LIGHT GRAY, WITH CLIPSLOT, W/O CPA	33472-1404	B-LG-CLIP	GC	PLR		M	R					5	6			9	10			SALEABLE		N/A	N/A
KEY A, BLACK, WITH CLIPSLOT, W/O CPA	33472-1405	A-BLK-CLIP	GC	PLR		M	R							8	9	10	11	12		SALEABLE		N/A	N/A
KEY A, BLACK, WITH CLIPSLOT, W/O CPA	33472-1406	A-BLK-CLIP	GC	PLR		M	R							8	9		11			SALEABLE		N/A	N/A
KEY C, DARK GRAY, WITH CLIPSLOT, W/O CPA	33472-1407	C-DG-CLIP	GC	PLR		M	R													SALEABLE		N/A	N/A
KEY D, STONE GRAY, WITH CLIPSLOT, W/O CPA	33472-1408	D-SG-CLIP	GC	PLR		M	R													SALEABLE		N/A	N/A
KEY C, DARK GRAY, WITH CLIPSLOT, W/CPA	33472-1409	C-DG-CLIP	GC	PLR	CPA	M	R													SALEABLE		N/A	N/A
KEY D, STONE GRAY, WITH CLIPSLOT, W/CPA	33472-1410	D-SG-CLIP	GC	PLR	CPA	M	R													SALEABLE		N/A	N/A
KEY C, DARK GRAY, WITH CLIPSLOT, W/O CPA	33472-1411	C-DG-CLIP	GC	PLR		M	R	1	2	3	4	5	6	7	8	9	10	11	12	SALEABLE		N/A	N/A
KEY D, STONE GRAY, WITH CLIPSLOT, W/O CPA	33472-1412	D-SG-CLIP	GC	PLR		M	R	1	2	3	4	5	6	7	8	9	10	11	12	SALEABLE		N/A	N/A
KEY C, DARK GRAY, WITH CLIPSLOT, W/CPA	33472-1413	C-DG-CLIP	GC	PLR	CPA	M	R	1															



MX150 RECEPTACLE 2X6 SEALED ASSEMBLY MAT SEAL  
BOM AND PIN OUT SHEET

ASSEMBLY DESCRIPTION	ASSEMBLY PART NUMBER	COMPONENT						BLOCKED TERMINALS												STATUS	COMMENTS	OPTIONAL ATTACHMENTS SOLD SEPERATELY					
		THE PRESENCE OF AN ABBREVIATION INDICATES THE PRESENCE OF THAT COMPONENT.						CAVITY WITH A NUMBER INDICATES BLOCKED TERMINAL POSITION CAVITY WITHOUT A NUMBER INDICATES OPEN TERMINAL POSITION														BACKSHELL WITH RIBS	BACKSHELL WITHOUT RIBS				
		HOUSING KEY/COLOR	GROMMET CAP	PLR	CPA	MAT SEAL	RING SEAL	1	2	3	4	5	6	7	8	9	10	11	12								
KEY A, BLACK, WITH CLIPSLOT, W/O CPA	33472-1503	A-BLK-CLIP	GC	PLR		M	R					4	5				8		10				SALEABLE			N/A	N/A
KEY A, BLACK, WITH CLIPSLOT, W/O CPA	33472-1504	A-BLK-CLIP	GC	PLR		M	R	1	2		3	4			6				10		11	12	SALEABLE			N/A	N/A
KEY A, BLACK, WITH CLIPSLOT, W/O CPA	33472-1505	A-BLK-CLIP	GC	PLR		M	R				3	4									11	12	SALEABLE			N/A	N/A
KEY B, LIGHT GRAY, WITH CLIPSLOT, W/O CPA	33472-1506	B-LG-CLIP	GC	PLR		M	R	1									7				11		SALEABLE			N/A	N/A
KEY B, LIGHT GRAY, WITH CLIPSLOT, W/O CPA	33472-1507	B-LG-CLIP	GC	PLR		M	R										7					11	SALEABLE			N/A	N/A
KEY A, BLACK, WITH CLIPSLOT, W/O CPA	33472-1508	A-BLK-CLIP	GC	PLR		M	R	1							6	7	8	9					SALEABLE			N/A	N/A
KEY A, BLACK, WITH CLIPSLOT, W/O CPA	33472-1509	A-BLK-CLIP	GC	PLR		M	R					4			6		8						SALEABLE			N/A	N/A
KEY A, BLACK, WITH CLIPSLOT, W/O CPA	33472-1510	A-BLK-CLIP	GC	PLR		M	R		2			4					8	9	10				SALEABLE			N/A	N/A
KEY A, BLACK, WITH CLIPSLOT, W/O CPA	33472-1511	A-BLK-CLIP	GC	PLR		M	R										9	10					SALEABLE			N/A	N/A
KEY A, BLACK, WITH CLIPSLOT, W/O CPA	33472-1512	A-BLK-CLIP	GC	PLR		M	R			2	3	4					8	9			11		SALEABLE			N/A	N/A
KEY A, BLACK, WITH CLIPSLOT, W/O CPA	33472-1513	A-BLK-CLIP	GC	PLR		M	R							5					10	11			SALEABLE			N/A	N/A
KEY A, BLACK, WITH CLIPSLOT, W/O CPA	33472-1514	A-BLK-CLIP	GC	PLR		M	R					4	5			7				11	12		SALEABLE			N/A	N/A
KEY A, BLACK, WITH CLIPSLOT, W/O CPA	33472-1515	A-BLK-CLIP	GC	PLR		M	R	1	2		3	4				7	8	9	10	11			SALEABLE			N/A	N/A
KEY A, BLACK, WITH CLIPSLOT, W/O CPA	33472-1516	A-BLK-CLIP	GC	PLR		M	R					4			6		8		10	11			SALEABLE			N/A	N/A
KEY A, BLACK, WITH CLIPSLOT, W/O CPA	33472-1517	A-BLK-CLIP	GC	PLR		M	R	1	2	3	4	5	6			8	9						SALEABLE			N/A	N/A
KEY A, BLACK, WITH CLIPSLOT, W/O CPA	33472-1518	A-BLK-CLIP	GC	PLR		M	R		2			4			6		8						SALEABLE			N/A	N/A
KEY A, BLACK, WITH CLIPSLOT, W/O CPA	33472-1519	A-BLK-CLIP	GC	PLR		M	R	1			3	4								11	12		SALEABLE			N/A	N/A
KEY A, BLACK, WITH CLIPSLOT, W/O CPA	33472-1520	A-BLK-CLIP	GC	PLR		M	R	1			3	4								11			SALEABLE			N/A	N/A
KEY A, BLACK, WITH CLIPSLOT, W/O CPA	33472-1521	A-BLK-CLIP	GC	PLR		M	R		2							8	9	10	11	12			SALEABLE			N/A	N/A
KEY A, BLACK, WITH CLIPSLOT, W/O CPA	33472-1522	A-BLK-CLIP	GC	PLR		M	R									7	8	9	10				SALEABLE			N/A	N/A
KEY A, BLACK, WITH CLIPSLOT, W/O CPA	33472-1523	A-BLK-CLIP	GC	PLR		M	R									7	8	9	10		12		SALEABLE			N/A	N/A
KEY A, BLACK, W/O CPA	33472-1524	A-BLK	GC	PLR		M	R		2	3			5	6	7			9	10	11	12		SALEABLE			34951-1210	34951-1220
KEY A, BLACK, W/O CPA	33472-1525	A-BLK	GC	PLR		M	R	1	2	3	4					8	9						SALEABLE			34951-1210	34951-1220
KEY A, BLACK, W/O CPA	33472-1526	A-BLK	GC	PLR		M	R		2	3							9						SALEABLE			34951-1210	34951-1220
KEY A, BLACK, W/O CPA	33472-1527	A-BLK	GC	PLR		M	R									8			10	11			SALEABLE			34951-1210	34951-1220
KEY A, BLACK, WITH CLIPSLOT, W/O CPA	33472-1528	A-BLK-CLIP	GC	PLR		M	R	1			3		5							11			SALEABLE			N/A	N/A
KEY A, BLACK, W/O CPA	33472-1529	A-BLK	GC	PLR		M	R	1			3		5							10	11		SALEABLE			34951-1210	34951-1220
KEY A, BLACK, WITH CLIPSLOT, W/O CPA	33472-1530	A-BLK-CLIP	GC	PLR		M	R		2							7	8						SALEABLE			N/A	N/A
KEY A, BLACK, WITH CLIPSLOT, W/O CPA	33472-1531	A-BLK-CLIP	GC	PLR		M	R	1				4				7					11		SALEABLE			N/A	N/A
KEY A, BLACK, WITH CLIPSLOT, W/O CPA	33472-1532	A-BLK-CLIP	GC	PLR		M	R		2	3			5	6	7			9	10	11	12		SALEABLE			N/A	N/A
KEY A, BLACK, WITH CLIPSLOT, W/O CPA	33472-1533	A-BLK-CLIP	GC	PLR		M	R	1	2	3	4					8	9						SALEABLE			N/A	N/A
KEY A, BLACK, WITH CLIPSLOT, W/O CPA	33472-1534	A-BLK-CLIP	GC	PLR		M	R		2	3							9						SALEABLE			N/A	N/A
KEY A, BLACK, WITH CLIPSLOT, W/O CPA	33472-1535	A-BLK-CLIP	GC	PLR		M	R									8			10	11			SALEABLE			N/A	N/A
KEY A, BLACK, WITH CLIPSLOT, W/O CPA	33472-1536	A-BLK-CLIP	GC	PLR		M	R	1			3			5			8			10	11		SALEABLE			N/A	N/A
KEY A, BLACK, W/O CPA	33472-1537	A-BLK	GC	PLR		M	R	1							6	7	8	9	10				SALEABLE			34951-1210	34951-1220
KEY A, BLACK, WITH CLIPSLOT, W/O CPA	33472-1538	A-BLK-CLIP	GC	PLR		M	R									7			9	10			SALEABLE			N/A	N/A
KEY B, LIGHT GRAY, W/O CPA	33472-1539	B-LG	GC	PLR		M	R									7	8	9			12		SALEABLE			34951-1210	34951-1220
KEY A, BLACK, WITH CLIPSLOT, W/O CPA	33472-1540	A-BLK-CLIP	GC	PLR		M	R	1							6	7	8	9	10				SALEABLE			N/A	N/A
KEY A, BLACK, WITH CLIPSLOT, W/O CPA	33472-1541	A-BLK-CLIP	GC	PLR		M	R	1				4			6	7	8	9	10	11			SALEABLE			N/A	N/A
KEY A, BLACK, WITH CLIPSLOT, W/O CPA	33472-1542	A-BLK-CLIP	GC	PLR		M	R	1	2	3			5	6	7	8	9	10			12		SALEABLE			N/A	N/A
KEY A, BLACK, WITH CLIPSLOT, W/O CPA	33472-1543	A-BLK-CLIP	GC	PLR		M	R		2			4			6	7	8	9	10	11	12		SALEABLE			N/A	N/A
KEY A, BLACK, WITH CLIPSLOT, W/O CPA	33472-1544	A-BLK-CLIP	GC	PLR		M	R				3	4						9	10	11	12		SALEABLE			N/A	N/A
KEY A, BLACK, WITH CLIPSLOT, W/O CPA	33472-1545	A-BLK-CLIP	GC	PLR		M	R				3	4								11	12		SALEABLE			N/A	N/A
KEY A, BLACK, WITH CLIPSLOT, W/O CPA	33472-1546	A-BLK-CLIP	GC	PLR		M	R	1	2					5	6	7	8	9	10				SALEABLE			N/A	N/A
KEY A, BLACK, WITH CLIPSLOT, W/O CPA	33472-1547	A-BLK-CLIP	GC	PLR		M	R											9	10				SALEABLE			N/A	N/A
KEY A, BLACK, W/CPA	33472-1548	A-BLK	GC	PLR	CPA	M	R							5									SALEABLE			34951-1210	34951-1220
KEY A, BLACK, W/CPA	33472-1549	A-BLK	GC	PLR	CPA	M	R								6						12		SALEABLE			34951-1210	34951-1220
KEY A, BLACK, WITH CLIPSLOT, W/O CPA	33472-1550	A-BLK-CLIP	GC	PLR		M	R												10	11	12		SALEABLE			N/A	N/A
KEY A, BLACK, WITH CLIPSLOT, W/O CPA	33472-1551	A-BLK-CLIP	GC	PLR		M	R											9					SALEABLE			N/A	N/A
KEY A, BLACK, WITH CLIPSLOT, W/O CPA	33472-1552	A-BLK-CLIP	GC	PLR		M	R			2						8	9	10	11	12			SALEABLE			N/A	N/A
KEY A, BLACK, WITH CLIPSLOT, W/O CPA	33472-1553	A-BLK-CLIP	GC	PLR		M	R		2							8	9						SALEABLE			N/A	N/A
KEY A, BLACK, W/O CPA	33472-1554	A-BLK	GC	PLR		M	R										7	8	9	10	11	12	SALEABLE	SEE P/N 33472-1484		34951-1210	34951-1220
KEY A, BLACK, W/CPA	33472-1555	A-BLK	GC	PLR	CPA	M	R									7	8	9	10	11	12		SALEABLE			34951-1210	34951-1220
KEY A, BLACK, WITH CLIPSLOT, W/O CPA	33472-1556	A-BLK-CLIP	GC	PLR		M	R						5						10	11			SALEABLE			N/A	N/A
KEY A, BLACK, WITH CLIPSLOT, W/O CPA	33472-1557	A-BLK-CLIP	GC	PLR		M	R	1				4	5				8				12		SALEABLE			N/A	N/A
KEY A, BLACK, WITH CLIPSLOT, W/O CPA	33472-1558	A-BLK-CLIP	GC	PLR		M	R	1	2	3	4							9	10	11	12		SALEABLE			N/A	N/A
KEY A, BLACK, WITH CLIPSLOT, W/CPA	33472-1559	A-BLK-CLIP	GC	PLR	CPA	M	R	1	2	3	4	5	6	7	8								SALEABLE			N/A	N/A
KEY A, BLACK, WITH CLIPSLOT, W/O CPA	33472-1560	A-BLK-CLIP	GC	PLR		M	R		2										10	11	12		SALEABLE			N/A	N/A
KEY A, BLACK, WITH CLIPSLOT, W/O CPA	33472-1561	A-BLK-CLIP	GC	PLR		M	R												10				SALEABLE			N/A	N/A
KEY A, BLACK, W/O CPA	33472-1562	A-BLK	GC	PLR		M	R	1					5	6	7	8					12		SALEABLE			34951-1210	34951-1220
KEY A, BLACK, W/O CPA	33472-1563	A-BLK	GC	PLR		M	R	1	2	3			5	6	7	8			10	11	12		SALEABLE			34951-1210	34951-1220
KEY A, BLACK, WITH CLIPSLOT, W/O CPA	33472-1564	A-BLK-CLIP	GC	PLR		M	R									7	8	9			12		SALEABLE			N/A	N/A
KEY B, LIGHT GRAY, WITH CLIPSLOT, W/O CPA	33472-1565	B-LG-CLIP	GC	PLR		M	R						5				8	9	10				SALEABLE			N/A	N/A
KEY B, LIGHT GRAY, WITH CLIPSLOT, W/O CPA	33472-1566	B-LG-CLIP	GC	PLR		M	R										8						SALEABLE			N/A	N/A
KEY A, BLACK, WITH CLIPSLOT, W/O CPA	33472-1567	A-BLK-CLIP	GC	PLR		M	R				4	5				7	8	9	10	11	12		SALEABLE			N/A	N/A
KEY A, BLACK, W/CPA	33472-1568	A-BLK	GC	PLR	CPA	M	R										8						SALEABLE			34951-1210	34951-1220
KEY A, BLACK, W/CPA	33472-1569	A-BLK	GC	PLR	CPA	M	R	1	2	3	4				6					11	12		SALEABLE			34951-1210	34951-1220
KEY A, BLACK, W/																											



MX150 RECEPTACLE 2X6 SEALED ASSEMBLY MAT SEAL  
BOM AND PIN OUT SHEET

ASSEMBLY DESCRIPTION	ASSEMBLY PART NUMBER	COMPONENT						BLOCKED TERMINALS												STATUS	COMMENTS	OPTIONAL ATTACHMENTS SOLD SEPERATELY				
		THE PRESENCE OF AN ABBREVIATION INDICATES THE PRESENCE OF THAT COMPONENT.						CAVITY WITH A NUMBER INDICATES BLOCKED TERMINAL POSITION CAVITY WITHOUT A NUMBER INDICATES OPEN TERMINAL POSITION														BACKSHELL WITH RIBS	BACKSHELL WITHOUT RIBS			
		HOUSING KEY/COLOR	GROMMET CAP	PLR	CPA	MAT SEAL	RING SEAL	1	2	3	4	5	6	7	8	9	10	11	12							
KEY A, BLACK, WITH CLIPSLOT, W/O CPA	33472-1584	A-BLK-CLIP	GC	PLR		M	R	1	2					5		7	8	9	10	11	12	SALEABLE		N/A	N/A	
KEY A, BLACK, WITH CLIPSLOT, W/O CPA	33472-1585	A-BLK-CLIP	GC	PLR		M	R							5		7	8	9		11	12	SALEABLE		N/A	N/A	
KEY A, BLACK, WITH CLIPSLOT, W/O CPA	33472-1586	A-BLK-CLIP	GC	PLR		M	R	1	2					5					10		12	SALEABLE		N/A	N/A	
KEY C, DARK GRAY, WITH CLIPSLOT, W/O CPA	33472-1587	C-DG-CLIP	GC	PLR		M	R	1	2					5	6	7						SALEABLE		N/A	N/A	
KEY C, DARK GRAY, WITH CLIPSLOT, W/O CPA	33472-1588	C-DG-CLIP	GC	PLR		M	R	1	2	3	4	5	6	7								SALEABLE		N/A	N/A	
KEY A, BLACK, WITH CLIPSLOT, W/O CPA	33472-1589	A-BLK-CLIP	GC	PLR		M	R	1	2	3				5		7	8	9	10			SALEABLE		N/A	N/A	
KEY A, BLACK, WITH CLIPSLOT, W/O CPA	33472-1590	A-BLK-CLIP	GC	PLR		M	R	1	2	3	4	5	6	7	8				11	12		SALEABLE		N/A	N/A	
KEY A, BLACK, WITH CLIPSLOT, W/O CPA	33472-1591	A-BLK-CLIP	GC	PLR		M	R				4	5	6	7					11	12		SALEABLE		N/A	N/A	
KEY A, BLACK, WITH CLIPSLOT, W/O CPA	33472-1592	A-BLK-CLIP	GC	PLR		M	R							5	6			9	10	11		SALEABLE		N/A	N/A	
KEY A, BLACK, WITH CLIPSLOT, W/O CPA	33472-1593	A-BLK-CLIP	GC	PLR		M	R							5	6							SALEABLE		N/A	N/A	
KEY B, LIGHT GRAY, W/CPA	33472-1594	B-LG	GC	PLR	CPA	M	R	1						6					10		12	SALEABLE		N/A	N/A	
KEY A, BLACK, WITH CLIPSLOT, W/O CPA	33472-1595	A-BLK-CLIP	GC	PLR		M	R									7		9			12	SALEABLE		N/A	N/A	
KEY A, BLACK, WITH CLIPSLOT, W/O CPA	33472-1596	A-BLK-CLIP	GC	PLR		M	R							5				9	10	11		SALEABLE		N/A	N/A	
KEY A, BLACK, WITH CLIPSLOT, W/O CPA	33472-1597	A-BLK-CLIP	GC	PLR		M	R							5		7		9	10	11	12	SALEABLE		N/A	N/A	
KEY A, BLACK, WITH CLIPSLOT, W/O CPA	33472-1598	A-BLK-CLIP	GC	PLR		M	R	1	2	3	4	5	6	7	8	9					12	SALEABLE		N/A	N/A	
KEY A, BLACK, WITH CLIPSLOT, W/O CPA	33472-1599	A-BLK-CLIP	GC	PLR		M	R	1	2	3	4	5	6	7	8	9	10	11				SALEABLE		N/A	N/A	
KEY A, BLACK, WITH CLIPSLOT, W/O CPA	33472-6001	A-BLK-CLIP	GC	PLR		M	R	1	2	3						7	8					SALEABLE		N/A	N/A	
KEY A, BLACK, WITH CLIPSLOT, W/O CPA	33472-6002	A-BLK-CLIP	GC	PLR		M	R									7	8	9	10	11	12	SALEABLE		N/A	N/A	
KEY A, BLACK, WITH CLIPSLOT, W/O CPA	33472-6003	A-BLK-CLIP	GC	PLR		M	R				4	5						9	10	11	12	SALEABLE		N/A	N/A	
KEY A, BLACK, WITH CLIPSLOT, W/O CPA	33472-6004	A-BLK-CLIP	GC	PLR		M	R		2					5				8	9	10	11	SALEABLE		N/A	N/A	
KEY A, BLACK, WITH CLIPSLOT, W/O CPA	33472-6005	A-BLK-CLIP	GC	PLR		M	R	1	2	3	4	5	6	7	8	9	10					SALEABLE		N/A	N/A	
KEY B, LIGHT GRAY, WITH CLIPSLOT, W/O CPA	33472-6006	B-LG-CLIP	GC	PLR		M	R									7	8	9			12	SALEABLE		N/A	N/A	
KEY A, BLACK, WITH CLIPSLOT, W/O CPA	33472-6007	A-BLK-CLIP	GC	PLR		M	R													11	12	SALEABLE		N/A	N/A	
KEY A, BLACK, WITH CLIPSLOT, W/O CPA	33472-6008	A-BLK-CLIP	GC	PLR		M	R	1			3	4	5	6	7	8	9	10	11			SALEABLE		N/A	N/A	
KEY A, BLACK, WITH CLIPSLOT, W/O CPA	33472-6009	A-BLK-CLIP	GC	PLR		M	R	1			3			5	6	7	8	9	10			SALEABLE		N/A	N/A	
KEY A, BLACK, WITH CLIPSLOT, W/O CPA	33472-6010	A-BLK-CLIP	GC	PLR		M	R	1	2	3	4									11	12	SALEABLE		N/A	N/A	
KEY B, LIGHT GRAY, WITH CLIPSLOT, W/O CPA	33472-6011	B-LG-CLIP	GC	PLR		M	R	1													11	SALEABLE		N/A	N/A	
KEY B, LIGHT GRAY, WITH CLIPSLOT, W/O CPA	33472-6012	B-LG-CLIP	GC	PLR		M	R														11	SALEABLE		N/A	N/A	
KEY A, BLACK, W/CPA	33472-6013	A-BLK	GC	PLR	CPA	M	R								6		8	9	10	11	12	SALEABLE		34951-1210	34951-1220	
KEY B, LIGHT GRAY, W/CPA	33472-6014	B-LG	GC	PLR	CPA	M	R								6		8	9	10	11	12	SALEABLE		34951-1210	34951-1220	
KEY A, BLACK, WITH CLIPSLOT, W/O CPA	33472-6015	A-BLK-CLIP	GC	PLR		M	R	1	2	3	4						8	9	10	11	12	SALEABLE		N/A	N/A	
KEY A, BLACK, WITH CLIPSLOT, W/CPA	33472-6016	A-BLK-CLIP	GC	PLR	CPA	M	R				2	3				7		9	10	11	12	SALEABLE		N/A	N/A	
KEY A, BLACK, WITH CLIPSLOT, W/CPA	33472-6017	A-BLK-CLIP	GC	PLR	CPA	M	R				2	3										SALEABLE		N/A	N/A	
KEY A, BLACK, WITH CLIPSLOT, W/CPA	33472-6018	A-BLK-CLIP	GC	PLR	CPA	M	R				2						7		9	10	11	12	SALEABLE		N/A	N/A
KEY A, BLACK, WITH CLIPSLOT, W/CPA	33472-6019	A-BLK-CLIP	GC	PLR	CPA	M	R				2											SALEABLE		N/A	N/A	
KEY A, BLACK, W/CPA	33472-6020	A-BLK	GC	PLR	CPA	M	R				4	5	6	7	8	9	10	11				SALEABLE		34951-1210	34951-1220	
KEY A, BLACK, W/O CPA	33472-6021	A-BLK	GC	PLR		M	R									7	8	9	10	11		SALEABLE		34951-1210	34951-1220	
KEY A, BLACK, W/O CPA	33472-6022	A-BLK	GC	PLR		M	R									7	8					SALEABLE		34951-1210	34951-1220	
KEY A, BLACK, W/O CPA	33472-6023	A-BLK	GC	PLR		M	R				2							9	10			SALEABLE		34951-1210	34951-1220	
KEY A, BLACK, W/O CPA	33472-6024	A-BLK	GC	PLR		M	R				2		4									SALEABLE		34951-1210	34951-1220	
KEY A, BLACK, W/O CPA	33472-6025	A-BLK	GC	PLR		M	R				2	3								11		SALEABLE		34951-1210	34951-1220	
KEY A, BLACK, W/O CPA	33472-6026	A-BLK	GC	PLR		M	R				2	3		5	6	7	8			11		SALEABLE		34951-1210	34951-1220	
KEY A, BLACK, W/O CPA	33472-6027	A-BLK	GC	PLR		M	R	1						5	6	7	8					SALEABLE		34951-1210	34951-1220	
KEY A, BLACK, W/O CPA	33472-6028	A-BLK	GC	PLR		M	R				2	3				6	7	8		10	11	SALEABLE		34951-1210	34951-1220	
KEY A, BLACK, W/O CPA	33472-6029	A-BLK	GC	PLR		M	R														11	SALEABLE		34951-1210	34951-1220	
KEY A, BLACK, W/O CPA	33472-6030	A-BLK	GC	PLR		M	R				2	3	4			7	8					SALEABLE		34951-1210	34951-1220	
KEY A, BLACK, W/O CPA	33472-6031	A-BLK	GC	PLR		M	R	1			3	4	5	6	7	8						SALEABLE		34951-1210	34951-1220	
KEY A, BLACK, W/O CPA	33472-6032	A-BLK	GC	PLR		M	R					4	5	6	7	8	9					SALEABLE		34951-1210	34951-1220	
KEY A, BLACK, W/O CPA	33472-6033	A-BLK	GC	PLR		M	R								6	7	8					SALEABLE		34951-1210	34951-1220	
KEY A, BLACK, W/O CPA	33472-6034	A-BLK	GC	PLR		M	R				2						8		10	11		SALEABLE		34951-1210	34951-1220	
KEY A, BLACK, W/O CPA	33472-6035	A-BLK	GC	PLR		M	R				3	4	5					9	10			SALEABLE		34951-1210	34951-1220	
KEY A, BLACK, W/O CPA	33472-6036	A-BLK	GC	PLR		M	R															SALEABLE		34951-1210	34951-1220	
KEY A, BLACK, W/O CPA	33472-6037	A-BLK	GC	PLR		M	R				2	3	4	5					10	11	12	SALEABLE		34951-1210	34951-1220	
KEY A, BLACK, W/O CPA	33472-6038	A-BLK	GC	PLR		M	R	1							6	7		9				SALEABLE		34951-1210	34951-1220	
KEY A, BLACK, W/O CPA	33472-6039	A-BLK	GC	PLR		M	R				2	3	4	5	6	7	8					SALEABLE		34951-1210	34951-1220	
KEY A, BLACK, W/O CPA	33472-6040	A-BLK	GC	PLR		M	R				2	3									11	SALEABLE		34951-1210	34951-1220	
KEY A, BLACK, W/O CPA	33472-6041	A-BLK	GC	PLR		M	R	1	2	3	4	5						9	10	11	12	SALEABLE		34951-1210	34951-1220	
KEY A, BLACK, W/O CPA	33472-6042	A-BLK	GC	PLR		M	R				2	3						9	10	11		SALEABLE		34951-1210	34951-1220	
KEY A, BLACK, W/O CPA	33472-6043	A-BLK	GC	PLR		M	R	1	2	3	4	5					8	9	10	11	12	SALEABLE		34951-1210	34951-1220	
KEY A, BLACK, W/O CPA	33472-6044	A-BLK	GC	PLR		M	R	1	2	3	4	5									12	SALEABLE		34951-1210	34951-1220	
KEY A, BLACK, W/O CPA	33472-6045	A-BLK	GC	PLR		M	R				3	4	5									SALEABLE		34951-1210	34951-1220	
KEY A, BLACK, W/O CPA	33472-6046	A-BLK	GC	PLR		M	R				3	4	5	6	7	8	9	10	11			SALEABLE		34951-1210	34951-1220	
KEY A, BLACK, W/O CPA	33472-6047	A-BLK	GC	PLR		M	R				2	3					8	9	10	11	12	SALEABLE		34951-1210	34951-1220	
KEY A, BLACK, W/O CPA	33472-6048	A-BLK	GC	PLR		M	R				2	3					8	9				SALEABLE		34951-1210	34951-1220	
KEY A, BLACK, W/O CPA	33472-6049	A-BLK	GC	PLR		M	R	1	2	3										11	12	SALEABLE		34951-1210	34951-1220	
KEY A, BLACK, W/O CPA	33472-6050	A-BLK	GC	PLR		M	R	1	2	3	4								10	11	12	SALEABLE		34951-1210	34951-1220	
KEY A, BLACK, W/O CPA	33472-6051	A-BLK	GC	PLR		M	R				2											SALEABLE		34951-1210	34951-1220	
KEY A, BLACK, W/O CPA	33472-6052	A-BLK	GC	PLR		M	R													11	12	SALEABLE		34951-1210	34951-1220	
KEY A, BLACK, W/O CPA	33472-6053	A-BLK	GC	PLR		M	R	1	2	3	4	5	6													

MX150 RECEPTACLE 2X6 SEALED ASSEMBLY MAT SEAL  
BOM AND PIN OUT SHEET

ASSEMBLY DESCRIPTION	ASSEMBLY PART NUMBER	COMPONENT							BLOCKED TERMINALS												STATUS	COMMENTS	OPTIONAL ATTACHMENTS SOLD SEPERATELY					
		THE PRESENCE OF AN ABBREVIATION INDICATES THE PRESENCE OF THAT COMPONENT.							CAVITY WITH A NUMBER INDICATES BLOCKED TERMINAL POSITION CAVITY WITHOUT A NUMBER INDICATES OPEN TERMINAL POSITION														BACKSHELL WITH RIBS	BACKSHELL WITHOUT RIBS				
		HOUSING KEY/COLOR	GROMMET CAP	PLR	CPA	MAT SEAL	RING SEAL	1	2	3	4	5	6	7	8	9	10	11	12									
KEY A, BLACK, W/O CPA	33472-6066	A-BLK	GC	PLR		M	R	1	2					5	6	7	8							SALEABLE		34951-1210	34951-1220	
KEY A, BLACK, W/O CPA	33472-6067	A-BLK	GC	PLR		M	R						4				8				10			SALEABLE		34951-1210	34951-1220	
KEY A, BLACK, W/O CPA	33472-6068	A-BLK	GC	PLR		M	R	1	2	3	4	5	6				9	10	11	12				SALEABLE		34951-1210	34951-1220	
KEY A, BLACK, W/O CPA	33472-6069	A-BLK	GC	PLR		M	R	1			4								11					SALEABLE		34951-1210	34951-1220	
KEY A, BLACK, W/O CPA	33472-6070	A-BLK	GC	PLR		M	R										9	10	11	12				SALEABLE		34951-1210	34951-1220	
KEY A, BLACK, W/O CPA	33472-6071	A-BLK	GC	PLR		M	R	1	2	3	4	5	6	7	8							12			SALEABLE		34951-1210	34951-1220
KEY A, BLACK, W/O CPA	33472-6072	A-BLK	GC	PLR		M	R	1	2				6	7	8							12			SALEABLE		34951-1210	34951-1220
KEY A, BLACK, W/O CPA	33472-6073	A-BLK	GC	PLR		M	R	1	2					7	8									SALEABLE		34951-1210	34951-1220	
KEY A, BLACK, W/O CPA	33472-6074	A-BLK	GC	PLR		M	R	1					6	7	8							12			SALEABLE		34951-1210	34951-1220
KEY A, BLACK, W/O CPA	33472-6075	A-BLK	GC	PLR		M	R							7	8							12			SALEABLE		34951-1210	34951-1220
KEY A, BLACK, W/O CPA	33472-6076	A-BLK	GC	PLR		M	R		2		4				7	8	9	10						SALEABLE		34951-1210	34951-1220	
KEY A, BLACK, W/O CPA	33472-6077	A-BLK	GC	PLR		M	R			3		5	6	7	8	9	10	11	12					SALEABLE		34951-1210	34951-1220	
KEY A, BLACK, W/O CPA	33472-6078	A-BLK	GC	PLR		M	R				3				7	8	9	10	11	12				SALEABLE		34951-1210	34951-1220	
KEY A, BLACK, W/O CPA	33472-6079	A-BLK	GC	PLR		M	R	1	2	3	4		6	7	8	9	10					12			SALEABLE		34951-1210	34951-1220
KEY A, BLACK, W/O CPA	33472-6080	A-BLK	GC	PLR		M	R	1	2	3	4				7	8	9	10						SALEABLE		34951-1210	34951-1220	
KEY A, BLACK, W/O CPA	33472-6081	A-BLK	GC	PLR		M	R						6		8	9	10	11	12					SALEABLE		34951-1210	34951-1220	
KEY A, BLACK, W/O CPA	33472-6082	A-BLK	GC	PLR		M	R								8	9	10	11	12					SALEABLE		34951-1210	34951-1220	
KEY A, BLACK, W/O CPA	33472-6083	A-BLK	GC	PLR		M	R								8	9			11					SALEABLE		34951-1210	34951-1220	
KEY A, BLACK, W/O CPA	33472-6084	A-BLK	GC	PLR		M	R	1	2	3					8		10	11	12					SALEABLE		34951-1210	34951-1220	
KEY A, BLACK, W/O CPA	33472-6085	A-BLK	GC	PLR		M	R				3		5	6		8	9	10	11	12				SALEABLE		34951-1210	34951-1220	
KEY A, BLACK, W/O CPA	33472-6086	A-BLK	GC	PLR		M	R		2	3			6	7	8	9	10	11	12					SALEABLE		34951-1210	34951-1220	
KEY A, BLACK, W/O CPA	33472-6087	A-BLK	GC	PLR		M	R				3	4	5	6		8	9	10	11	12				SALEABLE		34951-1210	34951-1220	
KEY A, BLACK, W/O CPA	33472-6088	A-BLK	GC	PLR		M	R								8	9								SALEABLE		34951-1210	34951-1220	
KEY A, BLACK, W/O CPA	33472-6089	A-BLK	GC	PLR		M	R				3	4	5	6	7	8	9	10	11	12				SALEABLE		34951-1210	34951-1220	
KEY A, BLACK, W/O CPA	33472-6090	A-BLK	GC	PLR		M	R	1	2															SALEABLE		34951-1210	34951-1220	
KEY A, BLACK, W/O CPA	33472-6091	A-BLK	GC	PLR		M	R	1	2	3	4	5	6	7	8									SALEABLE		34951-1210	34951-1220	
KEY A, BLACK, W/O CPA	33472-6092	A-BLK	GC	PLR		M	R	1	2	3	4	5	6	7	8	9								SALEABLE		34951-1210	34951-1220	
KEY A, BLACK, W/O CPA	33472-6093	A-BLK	GC	PLR		M	R	1	2	3			6	7	8			10	11	12				SALEABLE		34951-1210	34951-1220	
KEY A, BLACK, W/O CPA	33472-6094	A-BLK	GC	PLR		M	R				4							10						SALEABLE		34951-1210	34951-1220	
KEY A, BLACK, W/O CPA	33472-6095	A-BLK	GC	PLR		M	R	1							8			10	11					SALEABLE		34951-1210	34951-1220	
KEY A, BLACK, W/O CPA	33472-6096	A-BLK	GC	PLR		M	R				3	4	5	6			9	10	11					SALEABLE		34951-1210	34951-1220	
KEY A, BLACK, W/O CPA	33472-6097	A-BLK	GC	PLR		M	R								8	9	10					12		SALEABLE		34951-1210	34951-1220	
KEY A, BLACK, W/O CPA	33472-6098	A-BLK	GC	PLR		M	R	1	2		4				7	8		10				12		SALEABLE		34951-1210	34951-1220	
KEY A, BLACK, W/O CPA	33472-6099	A-BLK	GC	PLR		M	R		2	3		5							11					SALEABLE		34951-1210	34951-1220	
KEY A, BLACK, W/O CPA	33472-6100	A-BLK	GC	PLR		M	R	1	2	3							9			11				SALEABLE		34951-1210	34951-1220	
KEY A, BLACK, W/O CPA	33472-6101	A-BLK	GC	PLR		M	R	1	2	3		5					9			11				SALEABLE		34951-1210	34951-1220	
KEY A, BLACK, W/O CPA	33472-6102	A-BLK	GC	PLR		M	R	1	2	3	4	5		7	8									SALEABLE		34951-1210	34951-1220	
KEY A, BLACK, W/O CPA	33472-6103	A-BLK	GC	PLR		M	R					5			8									SALEABLE		34951-1210	34951-1220	
KEY A, BLACK, W/O CPA	33472-6104	A-BLK	GC	PLR		M	R		2			5					9							SALEABLE		34951-1210	34951-1220	
KEY A, BLACK, W/O CPA	33472-6105	A-BLK	GC	PLR		M	R		2			5		7								12		SALEABLE		34951-1210	34951-1220	
KEY A, BLACK, W/O CPA	33472-6106	A-BLK	GC	PLR		M	R			2							9							SALEABLE		34951-1210	34951-1220	
KEY A, BLACK, W/O CPA	33472-6107	A-BLK	GC	PLR		M	R	1	2	3	4		6							11		12		SALEABLE		34951-1210	34951-1220	
KEY A, BLACK, W/O CPA	33472-6108	A-BLK	GC	PLR		M	R		2						8									SALEABLE		34951-1210	34951-1220	
KEY A, BLACK, W/O CPA	33472-6109	A-BLK	GC	PLR		M	R		2		4				8							10		SALEABLE		34951-1210	34951-1220	
KEY A, BLACK, W/O CPA	33472-6110	A-BLK	GC	PLR		M	R	1	2	3	4	5	6	7	8			10	11	12				SALEABLE		34951-1210	34951-1220	
KEY A, BLACK, W/O CPA	33472-6111	A-BLK	GC	PLR		M	R	1			3		5	6	7	8	9	10	11	12				SALEABLE		34951-1210	34951-1220	
KEY A, BLACK, W/O CPA	33472-6112	A-BLK	GC	PLR		M	R				4	5	6	7	8	9	10	11	12					SALEABLE		34951-1210	34951-1220	
KEY A, BLACK, W/O CPA	33472-6113	A-BLK	GC	PLR		M	R				4	5	6	7	8	9	10	11	12					SALEABLE		34951-1210	34951-1220	
KEY A, BLACK, W/O CPA	33472-6114	A-BLK	GC	PLR		M	R	1	2	3	4	5	6	7	8	9	10	11	12					SALEABLE		34951-1210	34951-1220	
KEY A, BLACK, W/O CPA	33472-6115	A-BLK	GC	PLR		M	R	1	2	3	4	5	6	7	8	9	10							SALEABLE		34951-1210	34951-1220	
KEY A, BLACK, W/O CPA	33472-6116	A-BLK	GC	PLR		M	R					5	6	7	8			10				12		SALEABLE		34951-1210	34951-1220	
KEY A, BLACK, W/O CPA	33472-6117	A-BLK	GC	PLR		M	R	1	2		4	5	6	7								12		SALEABLE		34951-1210	34951-1220	
KEY A, BLACK, W/O CPA	33472-6118	A-BLK	GC	PLR		M	R							7	8					11				SALEABLE		34951-1210	34951-1220	
KEY A, BLACK, W/O CPA	33472-6119	A-BLK	GC	PLR		M	R	1	2	3	4				7	8	9	10	11					SALEABLE		34951-1210	34951-1220	
KEY A, BLACK, W/O CPA	33472-6120	A-BLK	GC	PLR		M	R					5	6	7	8	9	10					12		SALEABLE		34951-1210	34951-1220	
KEY A, BLACK, W/O CPA	33472-6121	A-BLK	GC	PLR		M	R	1	2		4	5	6	7	8	9	10	11	12					SALEABLE		34951-1210	34951-1220	
KEY A, BLACK, W/O CPA	33472-6122	A-BLK	GC	PLR		M	R					5			8	9								SALEABLE		34951-1210	34951-1220	
KEY A, BLACK, W/O CPA	33472-6123	A-BLK	GC	PLR		M	R					5		7	8	9								SALEABLE		34951-1210	34951-1220	
KEY A, BLACK, W/O CPA	33472-6124	A-BLK	GC	PLR		M	R				4	5			9	10	11	12						SALEABLE		34951-1210	34951-1220	
KEY A, BLACK, W/O CPA	33472-6125	A-BLK	GC	PLR		M	R					3		6	7	8	9	10	11	12				SALEABLE		34951-1210	34951-1220	
KEY A, BLACK, W/O CPA	33472-6126	A-BLK	GC	PLR		M	R				3				7	8	9							SALEABLE		34951-1210	34951-1220	
KEY A, BLACK, W/O CPA	33472-6127	A-BLK	GC	PLR		M	R						6				9	10	11	12				SALEABLE		34951-1210	34951-1220	
KEY A, BLACK, W/O CPA	33472-6128	A-BLK	GC	PLR		M	R						6	7	8			10	11	12				SALEABLE		34951-1210	34951-1220	
KEY A, BLACK, W/O CPA	33472-6129	A-BLK	GC	PLR		M	R				</																	



**MX150 RECEPTACLE 2X6 SEALED ASSEMBLY MAT SEAL  
BOM AND PIN OUT SHEET**

ASSEMBLY DESCRIPTION	ASSEMBLY PART NUMBER	COMPONENT						BLOCKED TERMINALS												STATUS	COMMENTS	OPTIONAL ATTACHMENTS SOLD SEPERATELY					
		THE PRESENCE OF AN ABBREVIATION INDICATES THE PRESENCE OF THAT COMPONENT.						CAVITY WITH A NUMBER INDICATES BLOCKED TERMINAL POSITION CAVITY WITHOUT A NUMBER INDICATES OPEN TERMINAL POSITION														BACKSHELL WITH RIBS	BACKSHELL WITHOUT RIBS				
		HOUSING KEY/COLOR	GROMMET CAP	PLR	CPA	MAT SEAL	RING SEAL	1	2	3	4	5	6	7	8	9	10	11	12								
KEY A, BLACK, W/O CPA	33472-6147	A-BLK	GC	PLR		M	R							5				10	11		12	SALEABLE		34951-1210	34951-1220		
KEY A, BLACK, W/O CPA	33472-6148	A-BLK	GC	PLR		M	R					4		5			7				11	12	SALEABLE		34951-1210	34951-1220	
KEY A, BLACK, W/O CPA	33472-6149	A-BLK	GC	PLR		M	R	1	2	3	4			5	6	7	8	9	10	11			SALEABLE		34951-1210	34951-1220	
KEY A, BLACK, W/O CPA	33472-6150	A-BLK	GC	PLR		M	R				4			5	6		8		10	11			SALEABLE		34951-1210	34951-1220	
KEY A, BLACK, W/O CPA	33472-6151	A-BLK	GC	PLR		M	R	1	2	3	4			5	6		8	9					SALEABLE		34951-1210	34951-1220	
KEY A, BLACK, W/O CPA	33472-6152	A-BLK	GC	PLR		M	R			2				4			6						SALEABLE		34951-1210	34951-1220	
KEY A, BLACK, W/O CPA	33472-6153	A-BLK	GC	PLR		M	R	1			3	4								11	12		SALEABLE		34951-1210	34951-1220	
KEY A, BLACK, W/O CPA	33472-6154	A-BLK	GC	PLR		M	R	1			3	4									11		SALEABLE		34951-1210	34951-1220	
KEY A, BLACK, W/O CPA	33472-6155	A-BLK	GC	PLR		M	R									7	8	9	10				SALEABLE		34951-1210	34951-1220	
KEY A, BLACK, W/O CPA	33472-6156	A-BLK	GC	PLR		M	R									7	8	9	10			12	SALEABLE		34951-1210	34951-1220	
KEY A, BLACK, W/O CPA	33472-6157	A-BLK	GC	PLR		M	R		2							7	8						SALEABLE		34951-1210	34951-1220	
KEY A, BLACK, W/O CPA	33472-6158	A-BLK	GC	PLR		M	R			3	4										11	12	SALEABLE		34951-1210	34951-1220	
KEY A, BLACK, W/O CPA	33472-6159	A-BLK	GC	PLR		M	R	1			4										11		SALEABLE		34951-1210	34951-1220	
KEY A, BLACK, W/O CPA	33472-6160	A-BLK	GC	PLR		M	R									7		9	10				SALEABLE		34951-1210	34951-1220	
KEY A, BLACK, W/O CPA	33472-6161	A-BLK	GC	PLR		M	R	1							6	7	8	9	10				SALEABLE		34951-1210	34951-1220	
KEY A, BLACK, W/O CPA	33472-6162	A-BLK	GC	PLR		M	R	1			4				6	7	8	9	10	11			SALEABLE		34951-1210	34951-1220	
KEY A, BLACK, W/O CPA	33472-6163	A-BLK	GC	PLR		M	R	1	2	3				5	6	7	8	9	10			12	SALEABLE		34951-1210	34951-1220	
KEY A, BLACK, W/O CPA	33472-6164	A-BLK	GC	PLR		M	R	1	2					5	6	7	8	9	10				SALEABLE		34951-1210	34951-1220	
KEY A, BLACK, W/O CPA	33472-6165	A-BLK	GC	PLR		M	R		2	3						8	9	10	11				SALEABLE		34951-1210	34951-1220	
KEY A, BLACK, W/O CPA	33472-6166	A-BLK	GC	PLR		M	R	1			4			5			8		10			12	SALEABLE		34951-1210	34951-1220	
KEY A, BLACK, W/O CPA	33472-6167	A-BLK	GC	PLR		M	R	1	2	3	4					9	10	11	12				SALEABLE		34951-1210	34951-1220	
KEY A, BLACK, W/O CPA	33472-6168	A-BLK	GC	PLR		M	R		2										10	11	12		SALEABLE		34951-1210	34951-1220	
KEY A, BLACK, W/O CPA	33472-6169	A-BLK	GC	PLR		M	R												10				SALEABLE		34951-1210	34951-1220	
KEY A, BLACK, W/O CPA	33472-6170	A-BLK	GC	PLR		M	R															12	SALEABLE		34951-1210	34951-1220	
KEY A, BLACK, W/O CPA	33472-6171	A-BLK	GC	PLR		M	R				4	5			7	8	9					12	SALEABLE		34951-1210	34951-1220	
KEY A, BLACK, W/O CPA	33472-6172	A-BLK	GC	PLR		M	R				4	5			7	8			10	11	12		SALEABLE		34951-1210	34951-1220	
KEY A, BLACK, W/O CPA	33472-6173	A-BLK	GC	PLR		M	R		2					5		8	9	10	11				SALEABLE		34951-1210	34951-1220	
KEY A, BLACK, W/O CPA	33472-6174	A-BLK	GC	PLR		M	R							5									SALEABLE		34951-1210	34951-1220	
KEY A, BLACK, W/O CPA	33472-6175	A-BLK	GC	PLR		M	R	1	2					5		7	8	9	10	11	12		SALEABLE		34951-1210	34951-1220	
KEY A, BLACK, W/O CPA	33472-6176	A-BLK	GC	PLR		M	R							5		7	8	9			11		SALEABLE		34951-1210	34951-1220	
KEY A, BLACK, W/O CPA	33472-6177	A-BLK	GC	PLR		M	R	1	2					5					10			12	SALEABLE		34951-1210	34951-1220	
KEY A, BLACK, W/O CPA	33472-6178	A-BLK	GC	PLR		M	R							5	6			9	10	11			SALEABLE		34951-1210	34951-1220	
KEY A, BLACK, W/O CPA	33472-6179	A-BLK	GC	PLR		M	R							5	6							12	SALEABLE		34951-1210	34951-1220	
KEY A, BLACK, W/O CPA	33472-6180	A-BLK	GC	PLR		M	R									7		9					SALEABLE		34951-1210	34951-1220	
KEY A, BLACK, W/O CPA	33472-6181	A-BLK	GC	PLR		M	R							5				9	10	11			SALEABLE		34951-1210	34951-1220	
KEY A, BLACK, W/O CPA	33472-6182	A-BLK	GC	PLR		M	R							5				9	10	11		12	SALEABLE		34951-1210	34951-1220	
KEY A, BLACK, W/O CPA	33472-6183	A-BLK	GC	PLR		M	R	1	2	3	4			5	6	7	8	9				12	SALEABLE		34951-1210	34951-1220	
KEY A, BLACK, W/O CPA	33472-6184	A-BLK	GC	PLR		M	R	1	2	3	4			5	6			9	10	11			SALEABLE		34951-1210	34951-1220	
KEY A, BLACK, W/O CPA	33472-6185	A-BLK	GC	PLR		M	R									7					11	12	SALEABLE		34951-1210	34951-1220	
KEY A, BLACK, W/O CPA	33472-6186	A-BLK	GC	PLR		M	R	1		3	4			5	6	7	8	9	10	11			SALEABLE		34951-1210	34951-1220	
KEY A, BLACK, W/O CPA	33472-6187	A-BLK	GC	PLR		M	R	1		3				5	6	7	8	9	10				SALEABLE		34951-1210	34951-1220	
KEY A, BLACK, W/O CPA	33472-6188	A-BLK	GC	PLR		M	R	1	2	3	4										11	12	SALEABLE		34951-1210	34951-1220	
KEY A, BLACK, WITH CLIPSLOT, W/O CPA	33472-6189	A-BLK-CLIP	GC	PLR		M	R		2							7	8	9	10	11	12		SALEABLE	N/A	N/A		
KEY A, BLACK, WITH CLIPSLOT, W/O CPA	33472-6190	A-BLK-CLIP	GC	PLR		M	R	1	2							7	8	9	10	11	12		SALEABLE	N/A	N/A		
KEY A, BLACK, WITH CLIPSLOT, W/O CPA	33472-6191	A-BLK-CLIP	GC	PLR		M	R		2						6	7	8	9	10	11	12		SALEABLE	N/A	N/A		
KEY A, BLACK, WITH CLIPSLOT, W/O CPA	33472-6192	A-BLK-CLIP	GC	PLR		M	R		2						6	7	8						SALEABLE	N/A	N/A		
KEY A, BLACK, WITH CLIPSLOT, W/O CPA	33472-6193	A-BLK-CLIP	GC	PLR		M	R		2	3	4				6	7	8						SALEABLE	N/A	N/A		
KEY A, BLACK, WITH CLIPSLOT, W/O CPA	33472-6194	A-BLK-CLIP	GC	PLR		M	R								7	8	9						SALEABLE	N/A	N/A		
KEY A, BLACK, WITH CLIPSLOT, W/O CPA	33472-6195	A-BLK-CLIP	GC	PLR		M	R			3								9	10	11			SALEABLE	N/A	N/A		
KEY A, BLACK, WITH CLIPSLOT, W/O CPA	33472-6196	A-BLK-CLIP	GC	PLR		M	R	1	2		4	5	6	7	8	9					12		SALEABLE	N/A	N/A		
KEY A, BLACK, WITH CLIPSLOT, W/O CPA	33472-6197	A-BLK-CLIP	GC	PLR		M	R	1	2	3	4	5	6	7	8						11		SALEABLE	N/A	N/A		
KEY A, BLACK, WITH CLIPSLOT, W/O CPA	33472-6198	A-BLK-CLIP	GC	PLR		M	R		2					5		7			10				SALEABLE	N/A	N/A		
KEY A, BLACK, WITH CLIPSLOT, W/O CPA	33472-6199	A-BLK-CLIP	GC	PLR		M	R	1	2	3	4	5	6	7	8	9	10					12	SALEABLE	N/A	N/A		
KEY B, LIGHT GRAY, WITH CLIPSLOT, W/O CPA	33472-6200	B-LG-CLIP	GC	PLR		M	R			3	4	5				8	9	10	11	12			SALEABLE	N/A	N/A		
KEY A, BLACK, W/CPA	33472-6201	A-BLK	GC	PLR	CPA	M	R	1	2					5	6	7	8				11	12	SALEABLE		34951-1210	34951-1220	
KEY B, LIGHT GRAY, W/CPA	33472-6202	B-LG	GC	PLR	CPA	M	R	1	2					5	6	7	8					11	12	SALEABLE		34951-1210	34951-1220
KEY A, BLACK, WITH CLIPSLOT, W/O CPA	33472-6203	A-BLK-CLIP	GC	PLR		M	R				4					7							SALEABLE	N/A	N/A		
KEY A, BLACK, WITH CLIPSLOT, W/O CPA	33472-6204	A-BLK-CLIP	GC	PLR		M	R				4				6	7							SALEABLE	N/A	N/A		
KEY A, BLACK, WITH CLIPSLOT, W/O CPA	33472-6205	A-BLK-CLIP	GC	PLR		M	R		2	3	4	5	6			8	9	10	11	12			SALEABLE	N/A	N/A		
KEY A, BLACK, WITH CLIPSLOT, W/CPA	33472-6206	A-BLK-CLIP	GC	PLR	CPA	M	R							5	6						11	12	SALEABLE	N/A	N/A		
KEY A, BLACK, WITH CLIPSLOT, W/CPA	33472-6207	A-BLK-CLIP	GC	PLR	CPA	M	R				3					8	9	10	11				SALEABLE	N/A	N/A		
KEY A, BLACK, WITH CLIPSLOT, W/CPA	33472-6208	A-BLK-CLIP	GC	PLR	CPA	M	R									8	9	10	11				SALEABLE	N/A	N/A		
KEY B, LIGHT GRAY, WITH CLIPSLOT, W/O CPA	33472-6209	B-LG-CLIP	GC	PLR		M	R	1							6	7			10	11	12		SALEABLE	N/A	N/A		
KEY A, BLACK, W/CPA	33472-6210	A-BLK	GC	PLR	CPA	M	R									8	9					12	SALEABLE		34951-1210	34951-1220	
KEY A, BLACK, WITH CLIPSLOT, W/O CPA	33472-6211	A-BLK-CLIP	GC	PLR		M	R	1															SALEABLE	N/A	N/A		
KEY A, BLACK, W/CPA	33472-6212	A-BLK	GC	PLR	CPA	M	R								6		8					12	SALEABLE		34951-1210	34951-1220	
KEY A, BLACK, W/CPA	33472-6213	A-BLK	GC	PLR	CPA	M	R										8					12					



**MX150 RECEPTACLE 2X6 SEALED ASSEMBLY MAT SEAL  
BOM AND PIN OUT SHEET**

ASSEMBLY DESCRIPTION	ASSEMBLY PART NUMBER	COMPONENT						BLOCKED TERMINALS												STATUS	COMMENTS	OPTIONAL ATTACHMENTS SOLD SEPERATELY	
		THE PRESENCE OF AN ABBREVIATION INDICATES THE PRESENCE OF THAT COMPONENT.						CAVITY WITH A NUMBER INDICATES BLOCKED TERMINAL POSITION CAVITY WITHOUT A NUMBER INDICATES OPEN TERMINAL POSITION														BACKSHELL WITH RIBS	BACKSHELL WITHOUT RIBS
		HOUSING KEY/COLOR	GROMMET CAP	PLR	CPA	MAT SEAL	RING SEAL	1	2	3	4	5	6	7	8	9	10	11	12				
KEY B, LIGHT GRAY, W/O CPA	33472-6228	B-LG	GC	PLR		M	R	1	2	3	4	5		7				11	12	SALEABLE		34951-1210	34951-1220
KEY B, LIGHT GRAY, W/O CPA	33472-6229	B-LG	GC	PLR		M	R	1	2	3	4	5	6	7			10	11	12	SALEABLE		34951-1210	34951-1220
KEY B, LIGHT GRAY, W/O CPA	33472-6230	B-LG	GC	PLR		M	R						6	7			10	11	12	SALEABLE		34951-1210	34951-1220
KEY B, LIGHT GRAY, W/O CPA	33472-6231	B-LG	GC	PLR		M	R						6	7	8	9	10	11	12	SALEABLE		34951-1210	34951-1220
KEY B, LIGHT GRAY, W/O CPA	33472-6232	B-LG	GC	PLR		M	R			3				7						SALEABLE		34951-1210	34951-1220
KEY B, LIGHT GRAY, WITH CLIPSLOT, W/O CPA	33472-6233	B-LG-CLIP	GC	PLR		M	R							7				11	12	SALEABLE		N/A	N/A







MX150 RECEPTACLE 2X8 SEALED ASSEMBLY MAT SEAL  
BOM AND PIN OUT SHEET

ASSEMBLY DESCRIPTION	ASSEMBLY PART NUMBER	COMPONENT						BLOCKED TERMINALS																STATUS	COMMENTS	OPTIONAL ATTACHMENTS SOLD SEPERATELY						
		THE PRESENCE OF AN ABBREVIATION INDICATES THE PRESENCE OF THAT COMPONENT.						CAVITY WITH A NUMBER INDICATES BLOCKED TERMINAL POSITION CAVITY WITHOUT A NUMBER INDICATES OPEN TERMINAL POSITION																		BACKSHELL WITH RIBS	BACKSHELL WITHOUT RIBS	90° ADAPTOR WITH RIBS	90° ADAPTOR WITHOUT RIBS			
		HOUSING KEY/COLOR	GROMMET CAP	PLR	CPA	MAT SEAL	RING SEAL	1	2	3	4	5	6	7	8	9	10	11	12	13	14	15	16									
KEY B, LIGHT GRAY, W/CPA	33472-1773	B-LG	GC	PLR	CPA	M	R			4	5					10	11	12	13					SALEABLE		N/A	N/A	N/A	N/A			
KEY B, LIGHT GRAY, W/CPA	33472-1774	B-LG	GC	PLR	CPA	M	R			4	5				8		10	11	12	13					SALEABLE		N/A	N/A	N/A	N/A		
KEY B, LIGHT GRAY, W/CPA	33472-1775	B-LG	GC	PLR	CPA	M	R			4	5				8		10	11	12	13			16		SALEABLE		N/A	N/A	N/A	N/A		
KEY B, LIGHT GRAY, W/CPA	33472-1776	B-LG	GC	PLR	CPA	M	R			4	5				8		10	11	12	13					SALEABLE		N/A	N/A	N/A	N/A		
KEY B, LIGHT GRAY, W/CPA	33472-1777	B-LG	GC	PLR	CPA	M	R			4	5						10	11	12	13					SALEABLE		N/A	N/A	N/A	N/A		
KEY A, BLACK, W/O CPA	33472-1778	A-BLK	GC	PLR		M	R								9	10							15	16	SALEABLE		N/A	N/A	N/A	N/A		
KEY A, BLACK, W/O CPA	33472-1779	A-BLK	GC	PLR		M	R		2					6	7					11			13	15	16	SALEABLE		N/A	N/A	N/A	N/A	
KEY A, BLACK, W/CPA	33472-1780	A-BLK	GC	PLR	CPA	M	R																14	15	16	SALEABLE		N/A	N/A	N/A	N/A	
KEY A, BLACK, W/O CPA	33472-1781	A-BLK	GC	PLR		M	R							7												SALEABLE		N/A	N/A	N/A	N/A	
KEY A, BLACK, W/CPA	33472-1782	A-BLK	GC	PLR	CPA	M	R													12			13	14	15	16	SALEABLE		N/A	N/A	N/A	N/A
KEY A, BLACK, W/O CPA	33472-1783	A-BLK	GC	PLR		M	R	1	2	3	4				7	8	9	10	11	12			15	16	SALEABLE		N/A	N/A	N/A	N/A		
KEY A, BLACK, W/O CPA	33472-1784	A-BLK	GC	PLR		M	R	1	2	3	4				8	9	10	11	12					16	SALEABLE		N/A	N/A	N/A	N/A		
KEY A, BLACK, W/O CPA	33472-1785	A-BLK	GC	PLR		M	R		2	3	4				9	10							15	16	SALEABLE		N/A	N/A	N/A	N/A		
KEY A, BLACK, W/O CPA	33472-1786	A-BLK	GC	PLR		M	R		2	3	4	5	6	7	8	9	10			12			14	15	16	SALEABLE		N/A	N/A	N/A	N/A	
KEY A, BLACK, W/O CPA	33472-1787	A-BLK	GC	PLR		M	R								8		10	11		13			15		SALEABLE		N/A	N/A	N/A	N/A		
KEY A, BLACK, W/O CPA	33472-1788	A-BLK	GC	PLR		M	R			3					8		10	11		13			15		SALEABLE		N/A	N/A	N/A	N/A		
KEY A, BLACK, W/O CPA	33472-1789	A-BLK	GC	PLR		M	R								8		10	11		13			14		SALEABLE		N/A	N/A	N/A	N/A		
KEY A, BLACK, W/O CPA	33472-1790	A-BLK	GC	PLR		M	R			3	4	5			8		10	11	12	13			14	15		SALEABLE		N/A	N/A	N/A	N/A	
KEY A, BLACK, W/O CPA	33472-1791	A-BLK	GC	PLR		M	R																15	16	SALEABLE		N/A	N/A	N/A	N/A		
KEY A, BLACK, W/O CPA	33472-1792	A-BLK	GC	PLR		M	R	1		3					7	8	9	10				14	15	16	SALEABLE		N/A	N/A	N/A	N/A		
KEY A, BLACK, W/O CPA	33472-1793	A-BLK	GC	PLR		M	R															13	14	15	16	SALEABLE		N/A	N/A	N/A	N/A	
KEY A, BLACK, W/O CPA	33472-1794	A-BLK	GC	PLR		M	R		2					6	7	8					12					SALEABLE		N/A	N/A	N/A	N/A	
KEY A, BLACK, W/CPA	33472-1795	A-BLK	GC	PLR	CPA	M	R																14			SALEABLE		N/A	N/A	N/A	N/A	
KEY A, BLACK, W/O CPA	33472-1796	A-BLK	GC	PLR		M	R	1							7	8							14	15		SALEABLE		N/A	N/A	N/A	N/A	
KEY A, BLACK, W/O CPA	33472-1797	A-BLK	GC	PLR		M	R																			SALEABLE		N/A	N/A	N/A	N/A	
KEY A, BLACK, W/O CPA	33472-1798	A-BLK	GC	PLR		M	R	1		3					7									15		SALEABLE		N/A	N/A	N/A	N/A	
KEY B, LIGHT GRAY, W/CPA	33472-1799	B-LG	GC	PLR	CPA	M	R		2						8								12		14		SALEABLE		N/A	N/A	N/A	N/A
KEY A, BLACK, W/O CPA	33472-1800	A-BLK	GC	PLR		M	R	1		3																SALEABLE		N/A	N/A	N/A	N/A	
KEY B, LIGHT GRAY, W/CPA	33472-1801	B-LG	GC	PLR	CPA	M	R																12	13		SALEABLE		N/A	N/A	N/A	N/A	
KEY B, LIGHT GRAY, W/CPA	33472-1802	B-LG	GC	PLR	CPA	M	R		2						8								12	13		SALEABLE		N/A	N/A	N/A	N/A	
KEY B, LIGHT GRAY, W/CPA	33472-1803	B-LG	GC	PLR	CPA	M	R		2						8								12	13		SALEABLE		N/A	N/A	N/A	N/A	
KEY B, LIGHT GRAY, W/CPA	33472-1804	B-LG	GC	PLR	CPA	M	R		2	3	4	5	6		8								12	13		SALEABLE		N/A	N/A	N/A	N/A	
KEY A, BLACK, W/O CPA	33472-1805	A-BLK	GC	PLR		M	R																14	15		SALEABLE		N/A	N/A	N/A	N/A	
KEY A, BLACK, W/CPA	33472-1806	A-BLK	GC	PLR	CPA	M	R	1		3	4												14	15	16	SALEABLE		N/A	N/A	N/A	N/A	
KEY A, BLACK, W/CPA	33472-1807	A-BLK	GC	PLR	CPA	M	R	1	2	3	4	5			8						11	12	13	14	15	16	SALEABLE		N/A	N/A	N/A	N/A
KEY A, BLACK, W/CPA	33472-1808	A-BLK	GC	PLR	CPA	M	R		2	3	4	5			8											SALEABLE		N/A	N/A	N/A	N/A	
KEY A, BLACK, W/CPA	33472-1809	A-BLK	GC	PLR	CPA	M	R																			SALEABLE		N/A	N/A	N/A	N/A	
KEY A, BLACK, W/O CPA	33472-1810	A-BLK	GC	PLR		M	R	1	2	3	4	5	6	7	8								13	14	15	16	SALEABLE		N/A	N/A	N/A	N/A
KEY A, BLACK, W/O CPA	33472-1811	A-BLK	GC	PLR		M	R	1	2	3													13	14	15		SALEABLE		N/A	N/A	N/A	N/A
KEY A, BLACK, W/O CPA	33472-1812	A-BLK	GC	PLR		M	R	1	2														13	14	15		SALEABLE		N/A	N/A	N/A	N/A
KEY B, LIGHT GRAY, W/O CPA	33472-1813	B-LG	GC	PLR		M	R								6	7	8									SALEABLE		N/A	N/A	N/A	N/A	
KEY B, LIGHT GRAY, W/O CPA	33472-1814	B-LG	GC	PLR		M	R								6	7	8									SALEABLE		N/A	N/A	N/A	N/A	
KEY B, LIGHT GRAY, W/O CPA	33472-1815	B-LG	GC	PLR		M	R																			SALEABLE		N/A	N/A	N/A	N/A	
KEY B, LIGHT GRAY, W/O CPA	33472-1816	B-LG	GC	PLR		M	R																			SALEABLE		N/A	N/A	N/A	N/A	
KEY B, LIGHT GRAY, W/O CPA	33472-1817	B-LG	GC	PLR		M	R	1	2	3	4	5	6													SALEABLE		N/A	N/A	N/A	N/A	
KEY A, BLACK, W/O CPA	33472-1818	A-BLK	GC	PLR		M	R																			SALEABLE		N/A	N/A	N/A	N/A	
KEY A, BLACK, W/CPA	33472-1819	A-BLK	GC	PLR	CPA	M	R																			SALEABLE		N/A	N/A	N/A	N/A	
KEY A, BLACK, W/CPA	33472-1820	A-BLK	GC	PLR	CPA	M	R																			SALEABLE		N/A	N/A	N/A	N/A	
KEY B, LIGHT GRAY, W/CPA	33472-1821	B-LG	GC	PLR	CPA	M	R																			SALEABLE		N/A	N/A	N/A	N/A	
KEY B, LIGHT GRAY, W/CPA	33472-1822	B-LG	GC	PLR	CPA	M	R																			SALEABLE		N/A	N/A	N/A	N/A	
KEY B, LIGHT GRAY, W/CPA	33472-1823	B-LG	GC	PLR	CPA	M	R																			SALEABLE		N/A	N/A	N/A	N/A	
KEY B, LIGHT GRAY, W/CPA	33472-1824	B-LG	GC	PLR	CPA	M	R																			SALEABLE		N/A	N/A	N/A	N/A	
KEY B, LIGHT GRAY, W/CPA	33472-1825	B-LG	GC	PLR	CPA	M	R																			SALEABLE		N/A	N/A	N/A	N/A	
KEY A, BLACK, W/O CPA	33472-1826	A-BLK	GC	PLR		M	R	1	2	3	4	5	6	7	8	9	10									SALEABLE		N/A	N/A	N/A	N/A	
KEY A, BLACK, W/O CPA	33472-1827	A-BLK	GC	PLR		M	R	1	2	3	4	5	6	7	8	9	10	11	12	13	14	15	16		SALEABLE		N/A	N/A	N/A	N/A		
KEY A, BLACK, W/O CPA	33472-1828	A-BLK	GC	PLR		M	R																			SALEABLE		N/A	N/A	N/A	N/A	
KEY A, BLACK, W/O CPA	33472-1829	A-BLK	GC	PLR		M	R	1	2	3	4	5	6	7	8	9	10	11	12	13	14	15	16		SALEABLE		N/A	N/A	N/A	N/A		
KEY A, BLACK, W/O CPA	33472-1830	A-BLK	GC	PLR		M	R	1	2	3	4	5	6	7	8	9	10	11	12	13	14	15	16		SALEABLE		N/A	N/A	N/A	N/A		
KEY A, BLACK, W/O CPA	33472-1831	A-BLK	GC	PLR		M	R																			SALEABLE		N/A	N/A	N/A	N/A	
KEY A, BLACK, W/O CPA	33472-1832	A-BLK	GC	PLR		M	R		2																	SALEABLE		N/A	N/A	N/A	N/A	
KEY A, BLACK, W/O CPA	33472-1833	A-BLK	GC	PLR		M	R	1	2	3	4	5	6	7	8	9	10									SALEABLE		N/A	N/A	N/A	N/A	
KEY A, BLACK, W/O CPA	33472-1834	A-BLK	GC	PLR		M	R	1	2	3	4	5	6	7	8	9	10									SALEABLE		N/A	N/A	N/A	N/A	
KEY A, BLACK, W/O CPA	33472-1835	A-BLK	GC	PLR		M	R	1	2	3	4	5	6	7</																		



MX150 RECEPTACLE 2X8 SEALED ASSEMBLY MAT SEAL  
BOM AND PIN OUT SHEET

ASSEMBLY DESCRIPTION	ASSEMBLY PART NUMBER	COMPONENT						BLOCKED TERMINALS																STATUS	COMMENTS	OPTIONAL ATTACHMENTS SOLD SEPARATELY						
		THE PRESENCE OF AN ABBREVIATION INDICATES THE PRESENCE OF THAT COMPONENT.						CAVITY WITH A NUMBER INDICATES BLOCKED TERMINAL POSITION CAVITY WITHOUT A NUMBER INDICATES OPEN TERMINAL POSITION																		BACKSHELL WITH RIBS	BACKSHELL WITHOUT RIBS	90° ADAPTOR WITH RIBS	90° ADAPTOR WITHOUT RIBS			
		HOUSING KEY/COLOR	GROMMET CAP	PLR	CPA	MAT SEAL	RING SEAL	1	2	3	4	5	6	7	8	9	10	11	12	13	14	15	16									
KEY A, BLACK, W/O CPA	33472-1973	A-BLK	GC	PLR		M	R	1	2	3	4	5	6	7	8	9					12	13	14		SALEABLE		N/A	N/A	N/A	N/A		
KEY A, BLACK, W/O CPA	33472-1974	A-BLK	GC	PLR		M	R		2						8	9					12	13	14		SALEABLE		N/A	N/A	N/A	N/A		
KEY A, BLACK, W/O CPA	33472-1975	A-BLK	GC	PLR		M	R									9					12	13	14		SALEABLE		N/A	N/A	N/A	N/A		
KEY A, BLACK, W/O CPA	33472-1976	A-BLK	GC	PLR		M	R		2						8	9	10	11	12	13	14	15	16		SALEABLE		N/A	N/A	N/A	N/A		
KEY A, BLACK, W/O CPA	33472-1977	A-BLK	GC	PLR		M	R								9										SALEABLE		N/A	N/A	N/A	N/A		
KEY A, BLACK, W/O CPA	33472-1978	A-BLK	GC	PLR		M	R																15		SALEABLE		N/A	N/A	N/A	N/A		
KEY A, BLACK, W/O CPA	33472-1979	A-BLK	GC	PLR		M	R											11	12				15		SALEABLE		N/A	N/A	N/A	N/A		
KEY A, BLACK, W/O CPA	33472-1980	A-BLK	GC	PLR		M	R	1										10	11	12	13	14	15		SALEABLE		N/A	N/A	N/A	N/A		
KEY A, BLACK, W/O CPA	33472-1981	A-BLK	GC	PLR		M	R			3	4	5													SALEABLE		N/A	N/A	N/A	N/A		
KEY A, BLACK, W/O CPA	33472-1982	A-BLK	GC	PLR		M	R											10	11				15		SALEABLE		N/A	N/A	N/A	N/A		
KEY A, BLACK, W/O CPA	33472-1983	A-BLK	GC	PLR		M	R	1							8			10	11				15		SALEABLE		N/A	N/A	N/A	N/A		
KEY A, BLACK, W/O CPA	33472-1984	A-BLK	GC	PLR		M	R	1	2	3	4	5	6	7	8			10	11				15		SALEABLE		N/A	N/A	N/A	N/A		
KEY A, BLACK, W/O CPA	33472-1985	A-BLK	GC	PLR		M	R	1							8	9	10	11				15	16		SALEABLE		N/A	N/A	N/A	N/A		
KEY A, BLACK, W/O CPA	33472-1986	A-BLK	GC	PLR		M	R								9	10	11					15	16		SALEABLE		N/A	N/A	N/A	N/A		
KEY A, BLACK, W/O CPA	33472-1987	A-BLK	GC	PLR		M	R	1	2	3			5	6	7	8	9	10	11		13	14	15	16	SALEABLE		N/A	N/A	N/A	N/A		
KEY A, BLACK, W/O CPA	33472-1988	A-BLK	GC	PLR		M	R		2				6	7	8	9	10	11			13	14	15	16	SALEABLE		N/A	N/A	N/A	N/A		
KEY A, BLACK, W/O CPA	33472-1989	A-BLK	GC	PLR		M	R																16		SALEABLE		N/A	N/A	N/A	N/A		
KEY A, BLACK, W/O CPA	33472-1990	A-BLK	GC	PLR		M	R											11	12	13			16		SALEABLE		N/A	N/A	N/A	N/A		
KEY A, BLACK, W/O CPA	33472-1991	A-BLK	GC	PLR		M	R	1																	SALEABLE		N/A	N/A	N/A	N/A		
KEY A, BLACK, W/O CPA	33472-1992	A-BLK	GC	PLR		M	R						6							11	12	13	14		SALEABLE		N/A	N/A	N/A	N/A		
KEY A, BLACK, W/O CPA	33472-1993	A-BLK	GC	PLR		M	R																	16	SALEABLE		N/A	N/A	N/A	N/A		
KEY A, BLACK, W/O CPA	33472-1994	A-BLK	GC	PLR		M	R		2						9	10					12	13	14	16	SALEABLE		N/A	N/A	N/A	N/A		
KEY A, BLACK, W/O CPA	33472-1995	A-BLK	GC	PLR		M	R		2						9	10					12	13	14	16	SALEABLE		N/A	N/A	N/A	N/A		
KEY A, BLACK, W/O CPA	33472-1996	A-BLK	GC	PLR		M	R	1	2						8	9	10					14	15	16	SALEABLE		N/A	N/A	N/A	N/A		
KEY A, BLACK, W/O CPA	33472-1997	A-BLK	GC	PLR		M	R	1	2						7	8	9	10					15	16	SALEABLE		N/A	N/A	N/A	N/A		
KEY A, BLACK, W/O CPA	33472-1998	A-BLK	GC	PLR		M	R			3	4	5	6	7	8	9			11	12	13	14	15	16	SALEABLE		N/A	N/A	N/A	N/A		
KEY A, BLACK, W/O CPA	33472-1999	A-BLK	GC	PLR		M	R																15	16	SALEABLE		N/A	N/A	N/A	N/A		
KEY A, BLACK, W/CPA	33472-8001	A-BLK	GC	PLR	CPA	M	R	1	2	3	4	5	6					10	11	12	13	14	15	16	SALEABLE		N/A	N/A	N/A	N/A		
KEY A, BLACK, W/CPA	33472-8002	A-BLK	GC	PLR	CPA	M	R														10	11	12	13	14	15	16	SALEABLE		N/A	N/A	N/A
KEY A, BLACK, W/CPA	33472-8003	A-BLK	GC	PLR	CPA	M	R	1	2	3	4	5	6								10	11	12	13	14	15	16	SALEABLE		N/A	N/A	N/A
KEY A, BLACK, W/CPA	33472-8004	A-BLK	GC	PLR		M	R		2															16	SALEABLE		N/A	N/A	N/A	N/A		
KEY A, BLACK, W/CPA	33472-8005	A-BLK	GC	PLR		M	R	1	2	3	4	5	6	7	8								16		SALEABLE		N/A	N/A	N/A	N/A		
KEY A, BLACK, W/CPA	33472-8006	A-BLK	GC	PLR		M	R	1																	SALEABLE		N/A	N/A	N/A	N/A		
KEY A, BLACK, W/CPA	33472-8007	A-BLK	GC	PLR		M	R	1																	SALEABLE		N/A	N/A	N/A	N/A		
KEY A, BLACK, W/CPA	33472-8008	A-BLK	GC	PLR	CPA	M	R	1	2	3	4	5	6								12	13			SALEABLE		N/A	N/A	N/A	N/A		
KEY A, BLACK, W/CPA	33472-8009	A-BLK	GC	PLR	CPA	M	R																14	15	16	SALEABLE		N/A	N/A	N/A	N/A	
KEY A, BLACK, W/CPA	33472-8010	A-BLK	GC	PLR	CPA	M	R	1	2	3	4	5	6	7	8						12	13	14	15	16	SALEABLE		N/A	N/A	N/A	N/A	
KEY A, BLACK, W/CPA	33472-8011	A-BLK	GC	PLR	CPA	M	R									9					12				SALEABLE		N/A	N/A	N/A	N/A		
KEY A, BLACK, W/CPA	33472-8012	A-BLK	GC	PLR	CPA	M	R									9	10				12				SALEABLE		N/A	N/A	N/A	N/A		
KEY A, BLACK, W/CPA	33472-8013	A-BLK	GC	PLR	CPA	M	R	1	2																SALEABLE		N/A	N/A	N/A	N/A		
KEY A, BLACK, W/CPA	33472-8014	A-BLK	GC	PLR	CPA	M	R			3	4												13	14	SALEABLE		N/A	N/A	N/A	N/A		
KEY A, BLACK, W/CPA	33472-8015	A-BLK	GC	PLR		M	R	1																	SALEABLE		N/A	N/A	N/A	N/A		
KEY A, BLACK, W/CPA	33472-8016	A-BLK	GC	PLR		M	R											10	11	12	13			16	SALEABLE		N/A	N/A	N/A	N/A		
KEY A, BLACK, W/CPA	33472-8017	A-BLK	GC	PLR		M	R	1	2														14	15	16	SALEABLE		N/A	N/A	N/A	N/A	
KEY A, BLACK, W/CPA	33472-8018	A-BLK	GC	PLR		M	R	1																	SALEABLE		N/A	N/A	N/A	N/A		
KEY A, BLACK, W/CPA	33472-8019	A-BLK	GC	PLR		M	R																		SALEABLE		N/A	N/A	N/A	N/A		
KEY A, BLACK, W/CPA	33472-8020	A-BLK	GC	PLR		M	R																		SALEABLE		N/A	N/A	N/A	N/A		
KEY A, BLACK, W/CPA	33472-8021	A-BLK	GC	PLR	CPA	M	R																		SALEABLE		N/A	N/A	N/A	N/A		
KEY A, BLACK, W/CPA	33472-8022	A-BLK	GC	PLR	CPA	M	R																		SALEABLE		N/A	N/A	N/A	N/A		
KEY A, BLACK, W/CPA	33472-8023	A-BLK	GC	PLR	CPA	M	R																		SALEABLE		N/A	N/A	N/A	N/A		
KEY A, BLACK, W/CPA	33472-8024	A-BLK	GC	PLR	CPA	M	R																		SALEABLE		N/A	N/A	N/A	N/A		
KEY A, BLACK, W/CPA	33472-8025	A-BLK	GC	PLR	CPA	M	R																		SALEABLE		N/A	N/A	N/A	N/A		
KEY A, BLACK, W/CPA	33472-8026	A-BLK	GC	PLR	CPA	M	R																		SALEABLE		N/A	N/A	N/A	N/A		
KEY A, BLACK, W/CPA	33472-8027	A-BLK	GC	PLR	CPA	M	R																		SALEABLE		N/A	N/A	N/A	N/A		
KEY A, BLACK, W/CPA	33472-8028	A-BLK	GC	PLR	CPA	M	R	1	2	3	4	5	6												SALEABLE		N/A	N/A	N/A	N/A		
KEY A, BLACK, W/CPA	33472-8029	A-BLK	GC	PLR		M	R	1	2																SALEABLE		N/A	N/A	N/A	N/A		
KEY A, BLACK, W/CPA	33472-8030	A-BLK	GC	PLR		M	R		2																SALEABLE		N/A	N/A	N/A	N/A		
KEY A, BLACK, W/CPA	33472-8031	A-BLK	GC	PLR		M	R																		SALEABLE		N/A	N/A	N/A	N/A		
KEY A, BLACK, W/CPA	33472-8032	A-BLK	GC	PLR		M	R	1	2	3	4	5	6	7	8	9	10	11	12	13	14	15	16		SALEABLE		N/A	N/A	N/A	N/A		
KEY A, BLACK, W/CPA	33472-8033	A-BLK	GC	PLR	CPA	M	R																		SALEABLE		N/A	N/A	N/A	N/A		
KEY A, BLACK, W/CPA	33472-8034	A-BLK	GC	PLR		M	R	1	2	3	4	5	6	7	8	9	10	11					15	16	SALEABLE		N/A	N/A	N/A	N/A		
KEY A, BLACK, W/CPA	33472-8035	A-BLK	GC	PLR		M	R			3															SALEABLE		N/A	N/A	N/A	N/A		
KEY A, BLACK, W/CPA	33472-8036	A-BLK	GC	PLR		M	R																		SALEABLE		N/A	N/A	N/A	N/A		
KEY A, BLACK, W/CPA	33472-8037	A-BLK	GC	PLR	CPA	M	R																		SALEABLE		N/A	N/A	N/A	N/A		
KEY A, BLACK, W/CPA																																

MX150 RECEPTACLE 2X8 SEALED ASSEMBLY MAT SEAL  
BOM AND PIN OUT SHEET

ASSEMBLY DESCRIPTION	ASSEMBLY PART NUMBER	COMPONENT						BLOCKED TERMINALS																STATUS	COMMENTS	OPTIONAL ATTACHMENTS SOLD SEPERATELY							
		THE PRESENCE OF AN ABBREVIATION INDICATES THE PRESENCE OF THAT COMPONENT.						CAVITY WITH A NUMBER INDICATES BLOCKED TERMINAL POSITION CAVITY WITHOUT A NUMBER INDICATES OPEN TERMINAL POSITION																		BACKSHELL WITH RIBS	BACKSHELL WITHOUT RIBS	90° ADAPTOR WITH RIBS	90° ADAPTOR WITHOUT RIBS				
		HOUSING KEY/COLOR	GROMMET CAP	PLR	CPA	MAT SEAL	RING SEAL	1	2	3	4	5	6	7	8	9	10	11	12	13	14	15	16										
KEY A, BLACK, W/O CPA	33472-8061	A-BLK	GC	PLR		M	R	1	2						6	7						14			16	SALEABLE		N/A	N/A	N/A	N/A		
KEY A, BLACK, W/O CPA	33472-8062	A-BLK	GC	PLR		M	R								6										15	16	SALEABLE		N/A	N/A	N/A	N/A	
KEY A, BLACK, W/O CPA	33472-8063	A-BLK	GC	PLR		M	R																		15	16	SALEABLE		N/A	N/A	N/A	N/A	
KEY A, BLACK, W/O CPA	33472-8064	A-BLK	GC	PLR		M	R					4										13	14			15	16	SALEABLE		N/A	N/A	N/A	N/A
KEY A, BLACK, W/O CPA	33472-8065	A-BLK	GC	PLR		M	R					4														15	16	SALEABLE		N/A	N/A	N/A	N/A
KEY A, BLACK, W/O CPA	33472-8066	A-BLK	GC	PLR		M	R					4														15	16	SALEABLE		N/A	N/A	N/A	N/A
KEY A, BLACK, W/O CPA	33472-8067	A-BLK	GC	PLR		M	R																			11	16	SALEABLE		N/A	N/A	N/A	N/A
KEY A, BLACK, W/O CPA	33472-8068	A-BLK	GC	PLR		M	R																			11	16	SALEABLE		N/A	N/A	N/A	N/A
KEY A, BLACK, W/O CPA	33472-8069	A-BLK	GC	PLR		M	R																			11	16	SALEABLE		N/A	N/A	N/A	N/A
KEY A, BLACK, W/O CPA	33472-8070	A-BLK	GC	PLR		M	R																			11	16	SALEABLE		N/A	N/A	N/A	N/A
KEY A, BLACK, W/O CPA	33472-8071	A-BLK	GC	PLR		M	R																			11	16	SALEABLE		N/A	N/A	N/A	N/A
KEY A, BLACK, W/O CPA	33472-8072	A-BLK	GC	PLR		M	R																			11	16	SALEABLE		N/A	N/A	N/A	N/A
KEY A, BLACK, W/O CPA	33472-8073	A-BLK	GC	PLR		M	R																			11	16	SALEABLE		N/A	N/A	N/A	N/A
KEY A, BLACK, W/O CPA	33472-8074	A-BLK	GC	PLR		M	R																			11	16	SALEABLE		N/A	N/A	N/A	N/A
KEY A, BLACK, W/O CPA	33472-8075	A-BLK	GC	PLR		M	R																			11	16	SALEABLE		N/A	N/A	N/A	N/A
KEY A, BLACK, W/O CPA	33472-8076	A-BLK	GC	PLR		M	R																			11	16	SALEABLE		N/A	N/A	N/A	N/A
KEY A, BLACK, W/O CPA	33472-8077	A-BLK	GC	PLR		M	R																			11	16	SALEABLE		N/A	N/A	N/A	N/A
KEY A, BLACK, W/O CPA	33472-8078	A-BLK	GC	PLR		M	R																			11	16	SALEABLE		N/A	N/A	N/A	N/A
KEY A, BLACK, W/O CPA	33472-8079	A-BLK	GC	PLR		M	R																			11	16	SALEABLE		N/A	N/A	N/A	N/A
KEY A, BLACK, W/O CPA	33472-8080	A-BLK	GC	PLR		M	R																			11	16	SALEABLE		N/A	N/A	N/A	N/A
KEY A, BLACK, W/O CPA	33472-8081	A-BLK	GC	PLR		M	R																			11	16	SALEABLE		N/A	N/A	N/A	N/A
KEY A, BLACK, W/O CPA	33472-8082	A-BLK	GC	PLR		M	R																			11	16	SALEABLE		N/A	N/A	N/A	N/A
KEY A, BLACK, W/O CPA	33472-8083	A-BLK	GC	PLR		M	R																			11	16	SALEABLE		N/A	N/A	N/A	N/A
KEY A, BLACK, W/O CPA	33472-8084	A-BLK	GC	PLR		M	R																			11	16	SALEABLE		N/A	N/A	N/A	N/A
KEY A, BLACK, W/O CPA	33472-8085	A-BLK	GC	PLR		M	R																			11	16	SALEABLE		N/A	N/A	N/A	N/A
KEY A, BLACK, W/O CPA	33472-8086	A-BLK	GC	PLR		M	R																			11	16	SALEABLE		N/A	N/A	N/A	N/A
KEY A, BLACK, W/O CPA	33472-8087	A-BLK	GC	PLR		M	R																			11	16	SALEABLE		N/A	N/A	N/A	N/A
KEY A, BLACK, W/O CPA	33472-8088	A-BLK	GC	PLR		M	R																			11	16	SALEABLE		N/A	N/A	N/A	N/A
KEY A, BLACK, W/O CPA	33472-8089	A-BLK	GC	PLR		M	R																			11	16	SALEABLE		N/A	N/A	N/A	N/A
KEY A, BLACK, W/O CPA	33472-8090	A-BLK	GC	PLR		M	R																			11	16	SALEABLE		N/A	N/A	N/A	N/A
KEY A, BLACK, W/O CPA	33472-8091	A-BLK	GC	PLR		M	R																			11	16	SALEABLE		N/A	N/A	N/A	N/A
KEY A, BLACK, W/O CPA	33472-8092	A-BLK	GC	PLR		M	R																			11	16	SALEABLE		N/A	N/A	N/A	N/A
KEY A, BLACK, W/O CPA	33472-8093	A-BLK	GC	PLR		M	R																			11	16	SALEABLE		N/A	N/A	N/A	N/A
KEY A, BLACK, W/O CPA	33472-8094	A-BLK	GC	PLR		M	R																			11	16	SALEABLE		N/A	N/A	N/A	N/A
KEY A, BLACK, W/O CPA	33472-8095	A-BLK	GC	PLR		M	R																			11	16	SALEABLE		N/A	N/A	N/A	N/A
KEY A, BLACK, W/O CPA	33472-8096	A-BLK	GC	PLR		M	R																			11	16	SALEABLE		N/A	N/A	N/A	N/A
KEY A, BLACK, W/O CPA	33472-8097	A-BLK	GC	PLR		M	R																			11	16	SALEABLE		N/A	N/A	N/A	N/A
KEY A, BLACK, W/O CPA	33472-8098	A-BLK	GC	PLR		M	R																			11	16	SALEABLE		N/A	N/A	N/A	N/A
KEY A, BLACK, W/O CPA	33472-8099	A-BLK	GC	PLR		M	R																			11	16	SALEABLE		N/A	N/A	N/A	N/A
KEY A, BLACK, W/CPA	33472-8100	A-BLK	GC	PLR	CPA	M	R																			11	16	SALEABLE		N/A	N/A	N/A	N/A
KEY A, BLACK, W/O CPA	33472-8101	A-BLK	GC	PLR		M	R																			11	16	SALEABLE		N/A	N/A	N/A	N/A
KEY A, BLACK, W/CPA	33472-8102	A-BLK	GC	PLR	CPA	M	R																			11	16	SALEABLE		N/A	N/A	N/A	N/A
KEY A, BLACK, W/O CPA	33472-8103	A-BLK	GC	PLR		M	R																			11	16	SALEABLE		N/A	N/A	N/A	N/A
KEY A, BLACK, W/CPA	33472-8104	A-BLK	GC	PLR	CPA	M	R																			11	16	SALEABLE		N/A	N/A	N/A	N/A
KEY A, BLACK, W/CPA	33472-8105	A-BLK	GC	PLR	CPA	M	R																			11	16	SALEABLE		N/A	N/A	N/A	N/A
KEY A, BLACK, W/CPA	33472-8106	A-BLK	GC	PLR	CPA	M	R																			11	16	SALEABLE		N/A	N/A	N/A	N/A
KEY A, BLACK, W/O CPA	33472-8107	A-BLK	GC	PLR		M	R																			11	16	SALEABLE		N/A	N/A	N/A	N/A
KEY A, BLACK, W/O CPA	33472-8108	A-BLK	GC	PLR		M	R																			11	16	SALEABLE		N/A	N/A	N/A	N/A
KEY A, BLACK, W/O CPA	33472-8109	A-BLK	GC	PLR		M	R																			11	16	SALEABLE		N/A	N/A	N/A	N/A
KEY A, BLACK, W/O CPA	33472-8110	A-BLK	GC	PLR		M	R																			11	16	SALEABLE		N/A	N/A	N/A	N/A
KEY A, BLACK, W/O CPA	33472-8111	A-BLK	GC	PLR		M	R																			11	16	SALEABLE		N/A	N/A	N/A	N/A
KEY A, BLACK, W/O CPA	33472-8112	A-BLK	GC	PLR		M	R																			11	16	SALEABLE		N/A	N/A	N/A	N/A
KEY A, BLACK, W/CPA	33472-8113	A-BLK	GC	PLR	CPA	M	R																			11	16	SALEABLE		N/A	N/A	N/A	N/A
KEY A, BLACK, W/O CPA	33472-8114	A-BLK	GC	PLR		M	R																			11	16	SALEABLE		N/A	N/A	N/A	N/A
KEY B, LIGHT GRAY, W/O CPA	33472-8115	B-LG	GC	PLR		M	R																			11	16	SALEABLE		N/A	N/A	N/A	N/A
KEY B, LIGHT GRAY, W/O CPA	33472-8116	B-LG	GC	PLR		M	R																			11	16	SALEABLE		N/A	N/A	N/A	N/A
KEY B, LIGHT GRAY, W/O CPA	33472-8117	B-LG	GC	PLR		M	R																			11	16	SALEABLE		N/A	N/A	N/A	N/A
KEY A, BLACK, W/O CPA	33472-8118	A-BLK	GC	PLR		M	R																			11	16	SALEABLE		N/A	N/A	N/A	N/A
KEY A, BLACK, W/O CPA	33472-8119	A-BLK	GC	PLR		M	R																			11	16	SALEABLE		N/A	N/A	N/A	N/A
KEY A, BLACK, W/O CPA	33472-8120	A-BLK	GC	PLR		M	R																			11	16	SALEABLE		N/A	N/A	N/A	N/A
KEY A, BLACK, W/O CPA	33472-8121	A-BLK	GC	PLR		M	R																			11	16	SALEABLE		N/A	N/A	N/A	N/A
KEY A, BLACK, W/O CPA	33472-8122	A-BLK	GC	PLR		M	R																			11	16	SALEABLE		N/A	N/A	N/A	N/A
KEY A, BLACK, W/CPA	33472-8123	A-BLK	GC	PLR	CPA																												











