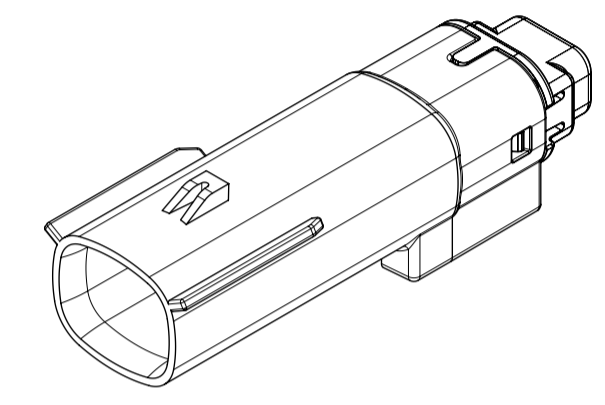


TABLE OF CONTENTS	
SHEET NO.	SHEET DESCRIPTION
1	NOTES AND BOM
2	CONFIGURATIONS
3-4	KEY CONFIGURATIONS
5	BLADE SEALED ASSEMBLY
6	SYSTEM PACKAGING
7	BACKSHELL NOTES
8	BACKSHELL
9	BACKSHELL CONFIGURATIONS

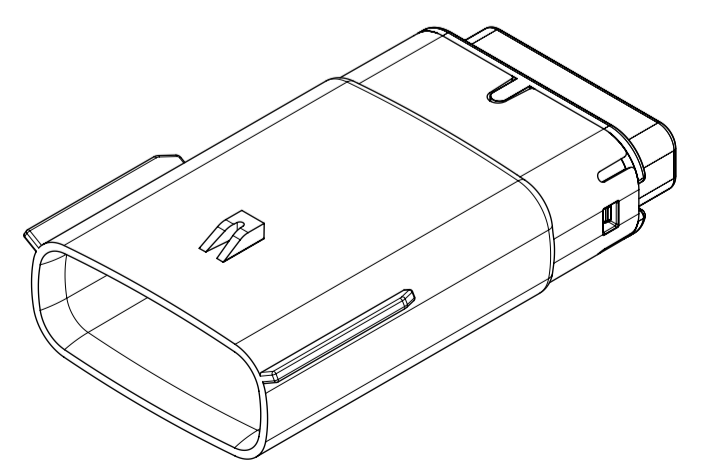
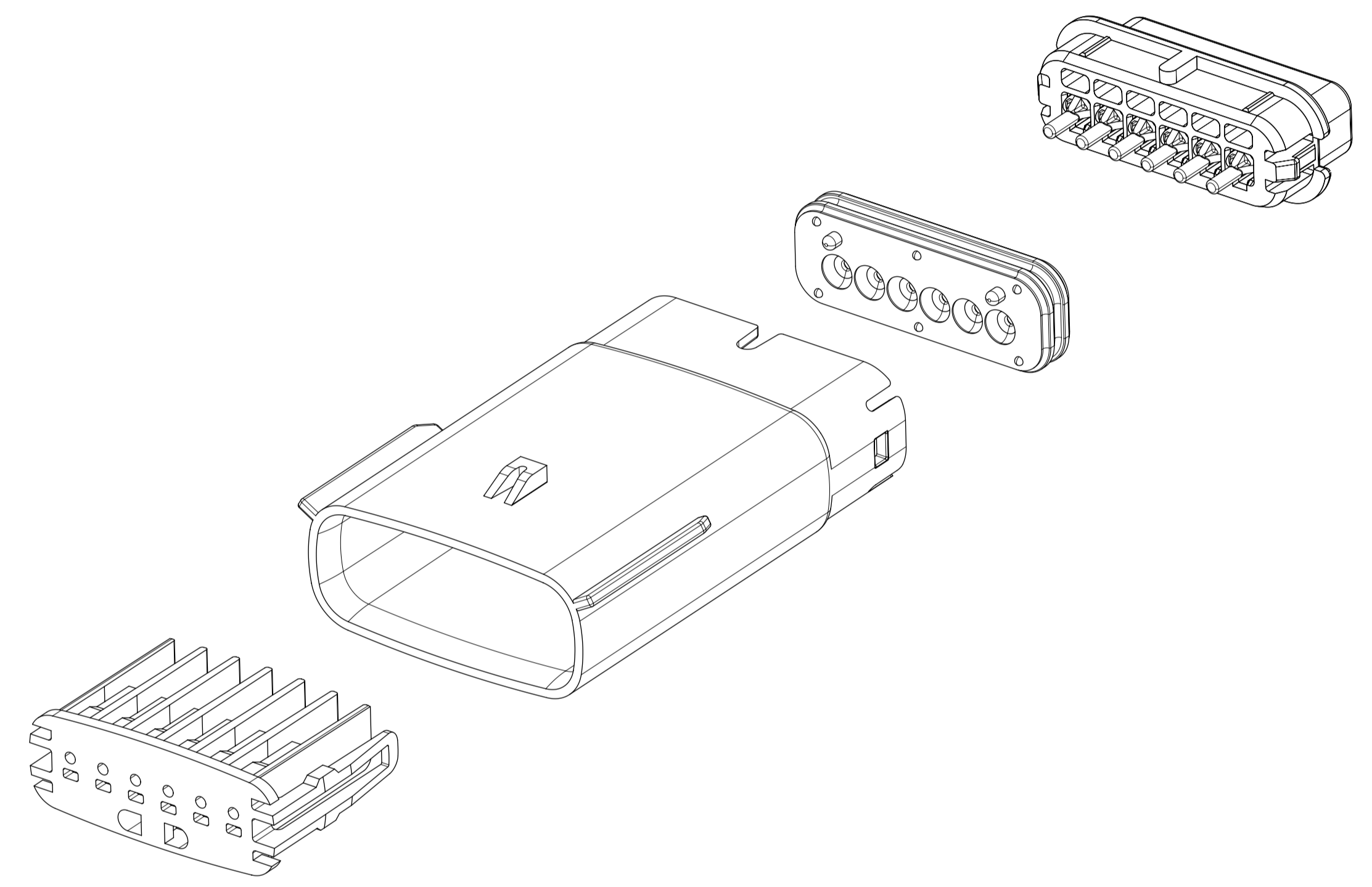
NOTES: VALID UNLESS OTHERWISE SPECIFIED

1. GENERAL:
- a. APPLICATION SPECIFICATION SEE: AS-33472-100
- CONTAINS: PRODUCT INTRODUCTION, PRODUCT SUMMARY, CONNECTOR ASSEMBLY, PACKAGING INFORMATION, CONNECTOR MATING, SERVICE INSTRUCTIONS, ELECTRICAL CONTINUITY CHECKING, CRIMPING, AND TROUBLESHOOTING.
 - DESIGNED TO MATE WITH RECEPTACLE SEALED ASSEMBLY AS SPECIFIED IN THE MATING CONNECTOR DRAWINGS CHART.
 - *DENOTES DRAWINGS THAT CAN BE ACCESSED AT <http://ewcap.uscarteams.org/>
 - ASSEMBLY SHIPPED WITH PLR IN PRE-LOCK POSITION (SEE PLR PRE-LOCK VIEW SHEET 5).
- b. PRODUCT SPECIFICATION SEE:
- STANDARD CONFIGURATION: PS-33471-000
 - UL V0 CONFIGURATION: PS-160105-0001
 - CONTAINS: PRODUCT INTRODUCTION, PRODUCT SUMMARY, RATINGS (CURRENT, TEMPERATURE, SEALING, AND FLAMMABILITY), TERMINALS, WIRE DIAMETER RANGE, PRODUCT VALIDATION, AND PRODUCT DEVIATIONS.
- c. PACKAGING SPECIFICATION PER MOLEX DRAWING: PK-31300-635 (PK-33471-000 FOR 1X5)
- d. PARTS MUST BE IN COMPLIANCE TO MOLEX CHEMICAL SUBSTANCES FOR PRODUCTS AND PACKAGING SPECIFICATION: QEHS-699000-300
- e. DATA MUST BE SUBMITTED UNDER THE MOLEX PART NUMBER TO IMDS (COMPANY ID#13255)
2. DESIGN - MATERIALS:
- a. FOR BILL OF MATERIALS SEE:
- STANDARD CONFIGURATION: SD-33481-0002
 - UL V0 CONFIGURATION: SD-160106-0002
3. DESIGN - GEOMETRY:
- a. THE 3-D CAD DATA IS BASIC (WITHOUT TOLERANCE) AND MASTER FOR THIS PART WITH THE EXCEPTION OF UNDERLINED DIMENSIONS. DIMENSIONAL INFORMATION NOT SHOWN ON THIS DRAWING IS DEFINED BY THE DATA FILE AT ITS LATEST REVISION.
- b. GEOMETRIC DIMENSIONS AND TOLERANCES PER ASME Y14.5M-2009
- c. EDGES AND UNDIMENSIONED DETAILS PER ISO13715
- d. CORNERS SHOWN AS SHARP TO BE R 0.2 MAX.
- e. LETTERING SHALL BE 0.15 MAX RAISED IN 0.25 MAX RECESS PAD. THIS INCLUDES RECYCLING CODE, CAVITY ID, VENDOR IDENTIFICATION, AND CUSTOMER MATERIAL NUMBER.
- f. VISUAL DEFECTS SHALL MEET COSMETIC STANDARD PS-45499-002 (Class B).
- g. LASER MARKING:
- PART NUMBER
 - DAY OF THE YEAR
 - SHIFT
 - YEAR
- FOR ADDITIONAL INFORMATION SEE SECTION 5 UNDER PROCEDURES IN ES-34735-008.

MATING CONNECTOR DRAWINGS	
DESCRIPTION	MOLEX INLINE
1X2	SD-33471-0001
1X6	SD-33471-0001



1X2

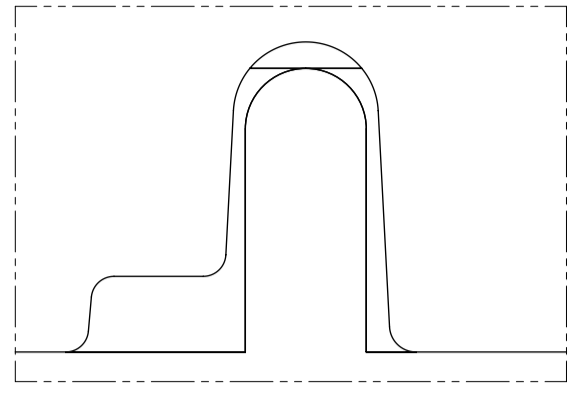


1X6

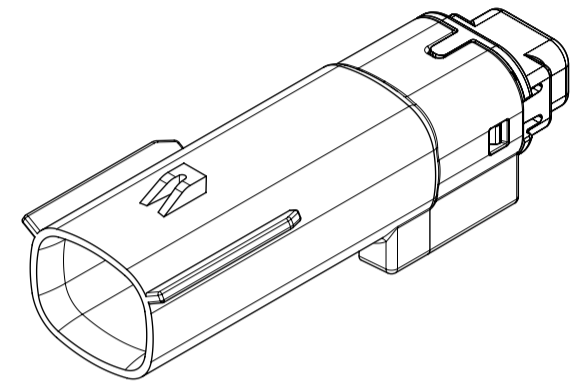
INSPECTION NUMBER LOG	
LAST NUMBER: 9	ADDED:
2	INITIAL RELEASE
1	UPDATED VIEWSETS
REV	REV DESCRIPTION
A1	NX REMASTERING , CHANGE PS DRAWING NUMBER FROM PS-160105-0001 TO PS-160074-0001 IN NOTES 1.b
A	MINOR GEOMETRY CHANGE FOR UL V0

SYMBOLS = 0 = 0 = 0 = 0 = 0 = 0 = 0 = 0 = 0 = 0	THIS DRAWING CONTAINS INFORMATION THAT IS PROPRIETARY TO MOLEX ELECTRONIC TECHNOLOGIES, LLC AND SHOULD NOT BE USED WITHOUT WRITTEN PERMISSION DIMENSION UNITS: MM ONLY SCALE: 1.5:1 GENERAL TOLERANCES (UNLESS SPECIFIED) ANGULAR TOL ± 1.0° 4 PLACES ± 3 PLACES ± 2 PLACES ± 0.1 1 PLACE ± 0.2 0 PLACES ± DRAFT WHERE APPLICABLE MUST REMAIN WITHIN DIMENSIONS THIRD ANGLE PROJECTION	CURRENT REV DESC: EC NO: 602373 DRWN: DSHETTY01 2018/05/25 CHK'D: MVANSLAMBROU 2018/10/04 APPR: MVANSLAMBROU 2018/10/04 INITIAL REVISION: DRWN: APROFFITT 2015/07/21 APPR: KDEKOSKI 2016/06/14	 MX150 BLADE SINGLE ROW SEALED ASSY MAT SEAL PRODUCT CUSTOMER DRAWING
	DOCUMENT NUMBER: SD-33481-0001 DOC TYPE: PSD DOC PART: 001 REVISION: A1	MATERIAL NUMBER: SEE NOTE 2a. CUSTOMER: GENERAL MARKET SHEET NUMBER: 1 OF 9	
	A1-SIZE SERIES: 33481	SEE NOTE 2a. GENERAL MARKET 1 OF 9	
	DRAFT WHERE APPLICABLE MUST REMAIN WITHIN DIMENSIONS THIRD ANGLE PROJECTION DRAWING: A1-SIZE SERIES: 33481	MATERIAL NUMBER: SEE NOTE 2a. CUSTOMER: GENERAL MARKET SHEET NUMBER: 1 OF 9	

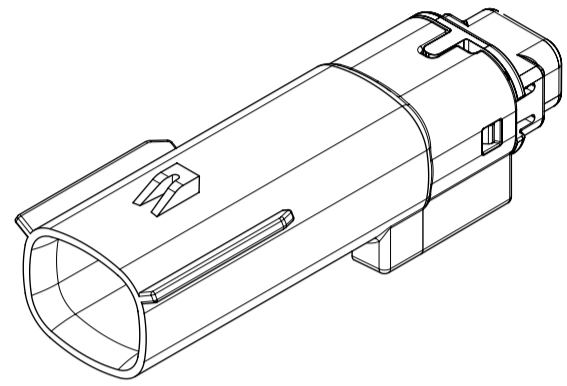
SHEET DESCRIPTION
CONFIGURATIONS



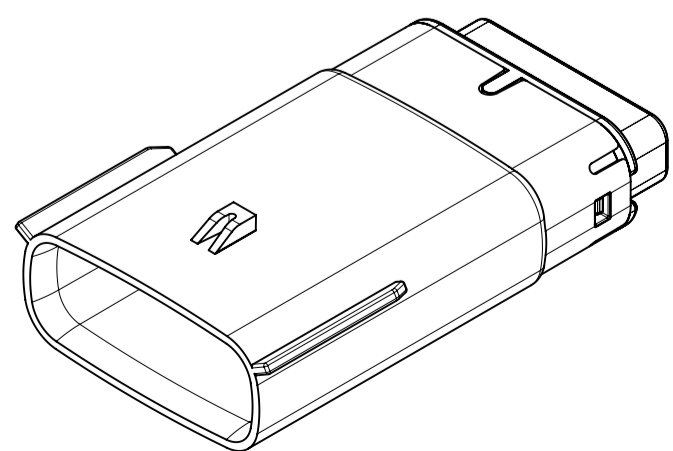
UL V0 UNIQUE FEATURE
Partial1
SCALE 10:1



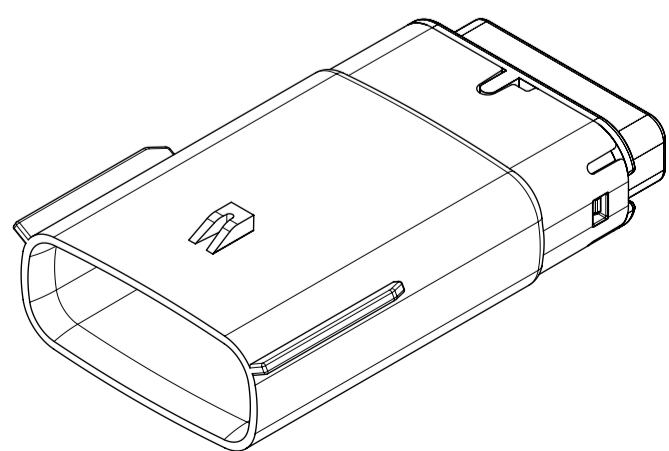
1x2 - STD



1X2 - UL V0*



1x6 - STD

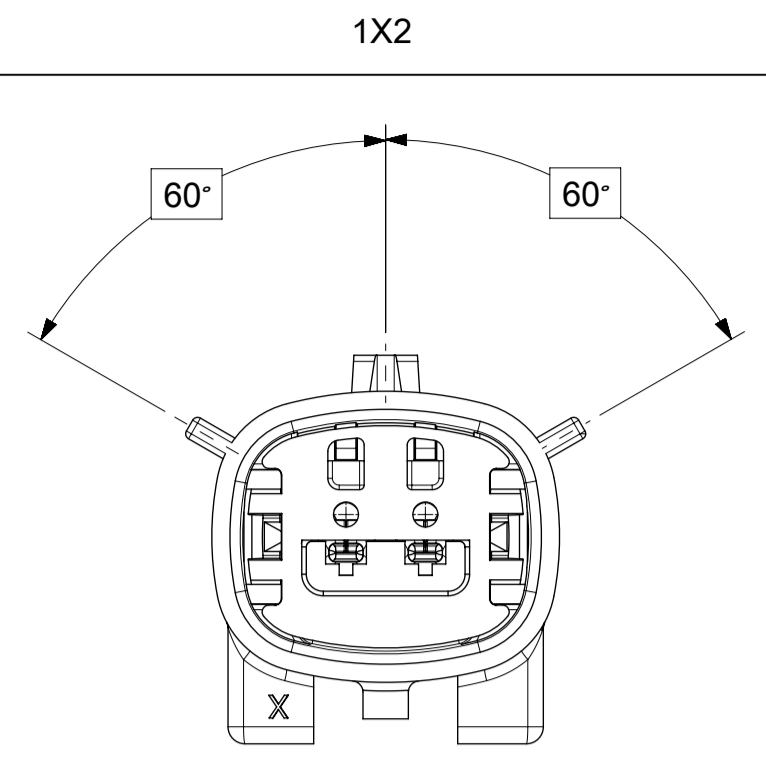


1x6 - UL V0*

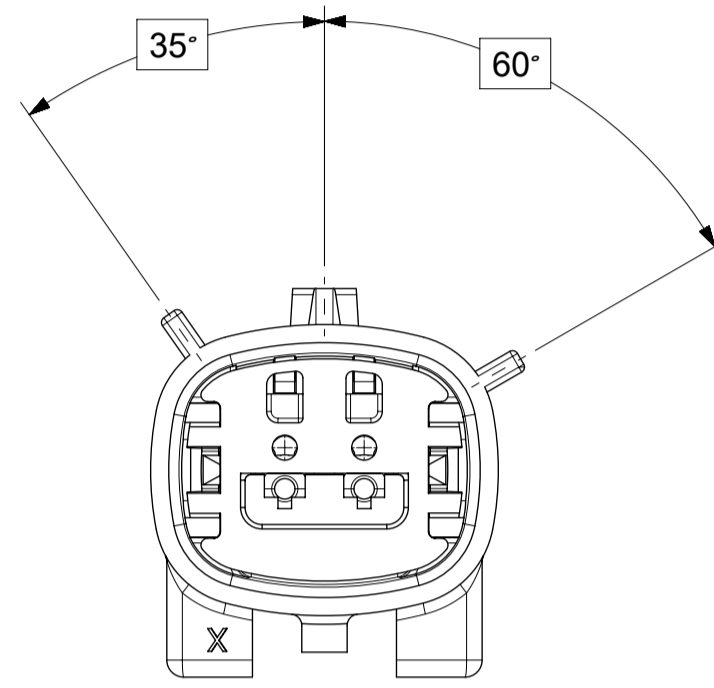
* MINOR GEOMETRY DIFFERENCE THAN STANDARD CONFIGURATION.
SEE NOTES 1 & 2 FOR MORE INFORMATION

SYMBOLS	THIS DRAWING CONTAINS INFORMATION THAT IS PROPRIETARY TO MOLEX ELECTRONIC TECHNOLOGIES, LLC AND SHOULD NOT BE USED WITHOUT WRITTEN PERMISSION		CURRENT REV DESC:						
	DIMENSION UNITS	SCALE							EC NO: 602373
▽ = 0	MM ONLY	1.5:1	GENERAL TOLERANCES (UNLESS SPECIFIED)	CHK'D: MVANSLAMBROU	2018/10/04	SD-33481-0001	PSD	001	A1
▽ = 0	ANGULAR TOL ± 1.0°		APPR: MVANSLAMBROU	2018/10/04	PRODUCT CUSTOMER DRAWING				
▽ = 0	4 PLACES ±		INITIAL REVISION:	DRWN: APROFFITT	2015/07/21	SEE NOTE 2a.	CUSTOMER	GENERAL MARKET	SHEET NUMBER
▽ = 0	3 PLACES ±		APPR: KDEKOSKI	2016/06/14	2 OF 9				
▽ = 0	2 PLACES ± 0.1		DRAFT WHERE APPLICABLE MUST REMAIN WITHIN DIMENSIONS	THIRD ANGLE PROJECTION	DRAWING	SERIES			
▽ = 0	1 PLACE ± 0.2		⊕	A1-SIZE	33481				
▽ = 0	0 PLACES ±								

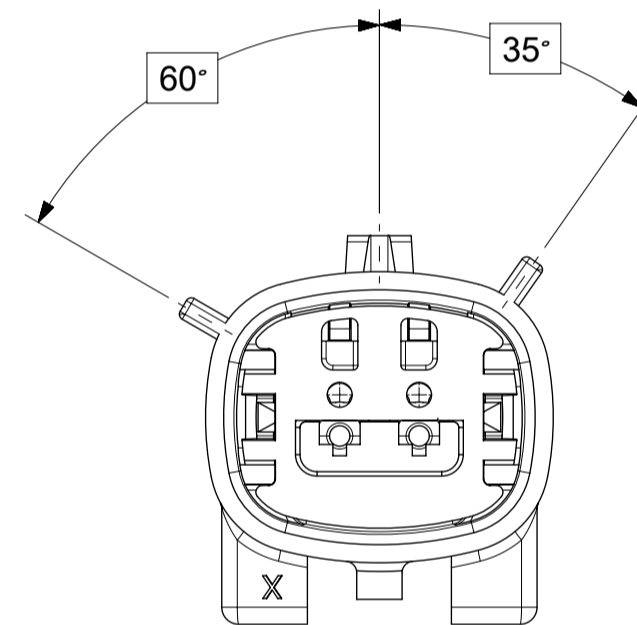
SHEET DESCRIPTION
KEY CONFIGURATIONS



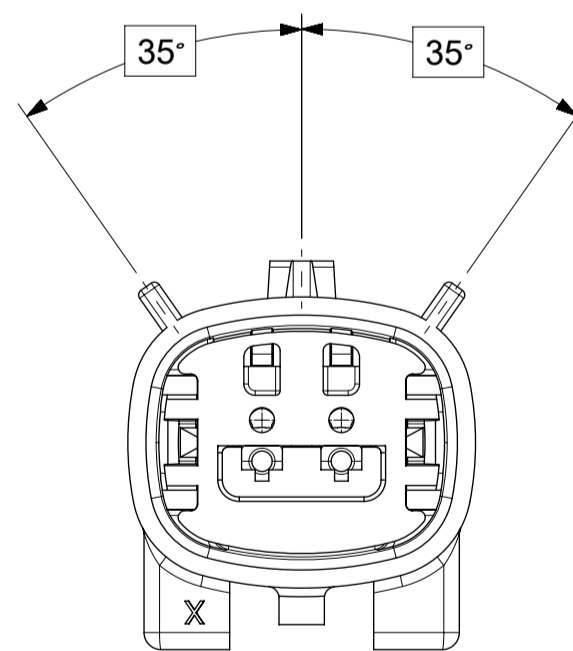
KEY A



KEY B



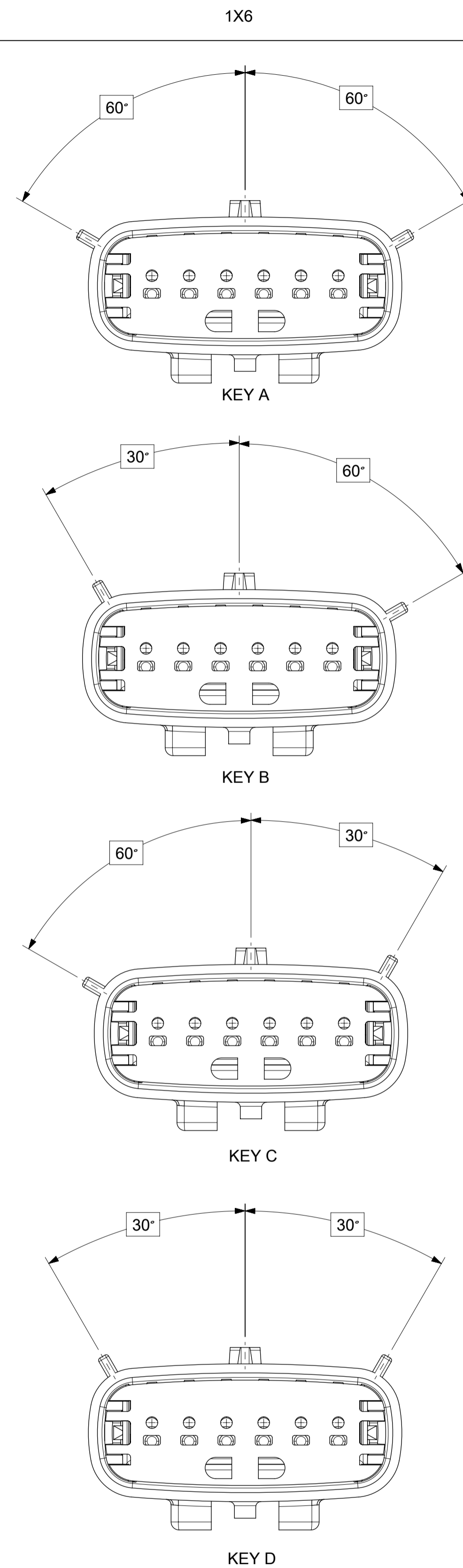
KEY C



KEY D

SYMBOLS = 0 = 0 = 0 = 0 = 0 = 0 = 0 = 0 = 0	THIS DRAWING CONTAINS INFORMATION THAT IS PROPRIETARY TO MOLEX ELECTRONIC TECHNOLOGIES, LLC AND SHOULD NOT BE USED WITHOUT WRITTEN PERMISSION DIMENSION UNITS: MM ONLY SCALE: 3:1	CURRENT REV DESC: EC NO: 602373 DRWN: DSHETTY01 2018/05/25 CHK'D: MVANSLAMBROU 2018/10/04 APPR: MVANSLAMBROU 2018/10/04 INITIAL REVISION: DRWN: APROFFITT 2015/07/21 APPR: KDEKOSKI 2016/06/14				
	GENERAL TOLERANCES (UNLESS SPECIFIED) ANGULAR TOL ± 1.0° 4 PLACES ± 3 PLACES ± 2 PLACES ± 0.1 1 PLACE ± 0.2 0 PLACES ±		MX150 BLADE SINGLE ROW SEALED ASSY MAT SEAL PRODUCT CUSTOMER DRAWING			
DRAFT WHERE APPLICABLE MUST REMAIN WITHIN DIMENSIONS 	THIRD ANGLE PROJECTION 	DRAWING A1-SIZE	SERIES 33481	MATERIAL NUMBER SEE NOTE 2a.	CUSTOMER GENERAL MARKET	SHEET NUMBER 3 OF 9

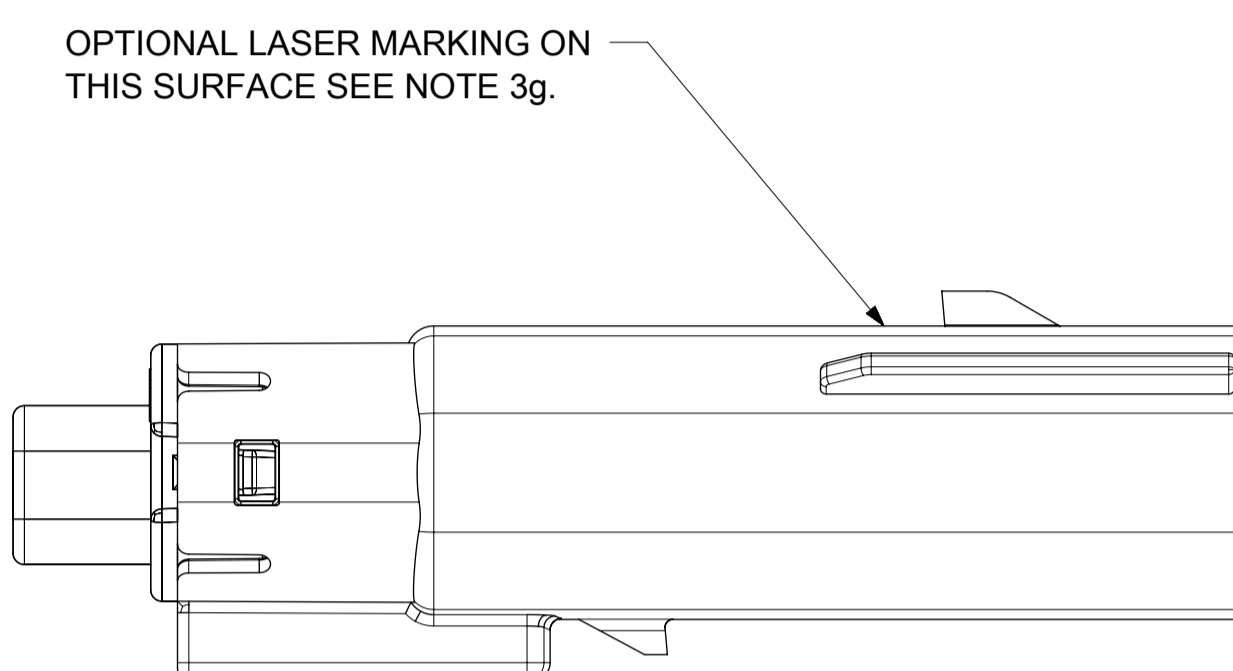
SHEET DESCRIPTION
KEY CONFIGURATIONS CONT.



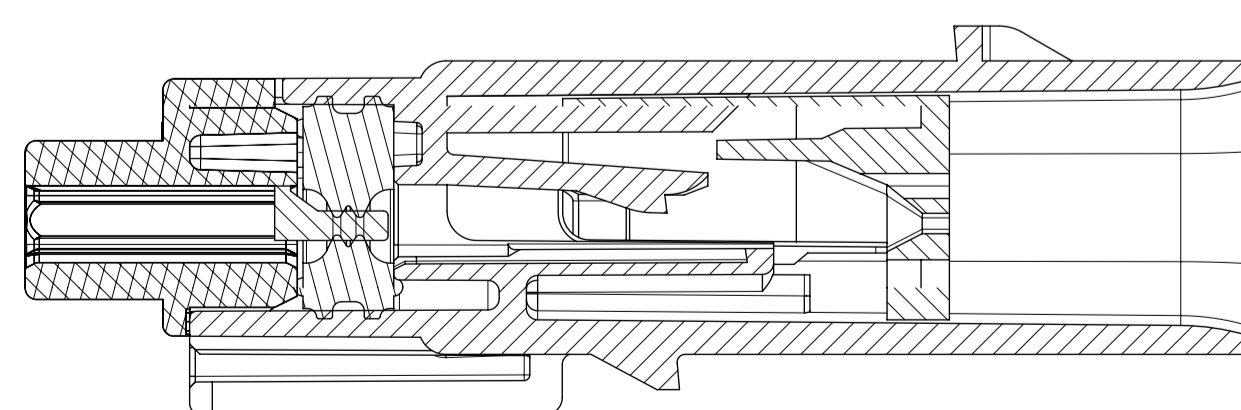
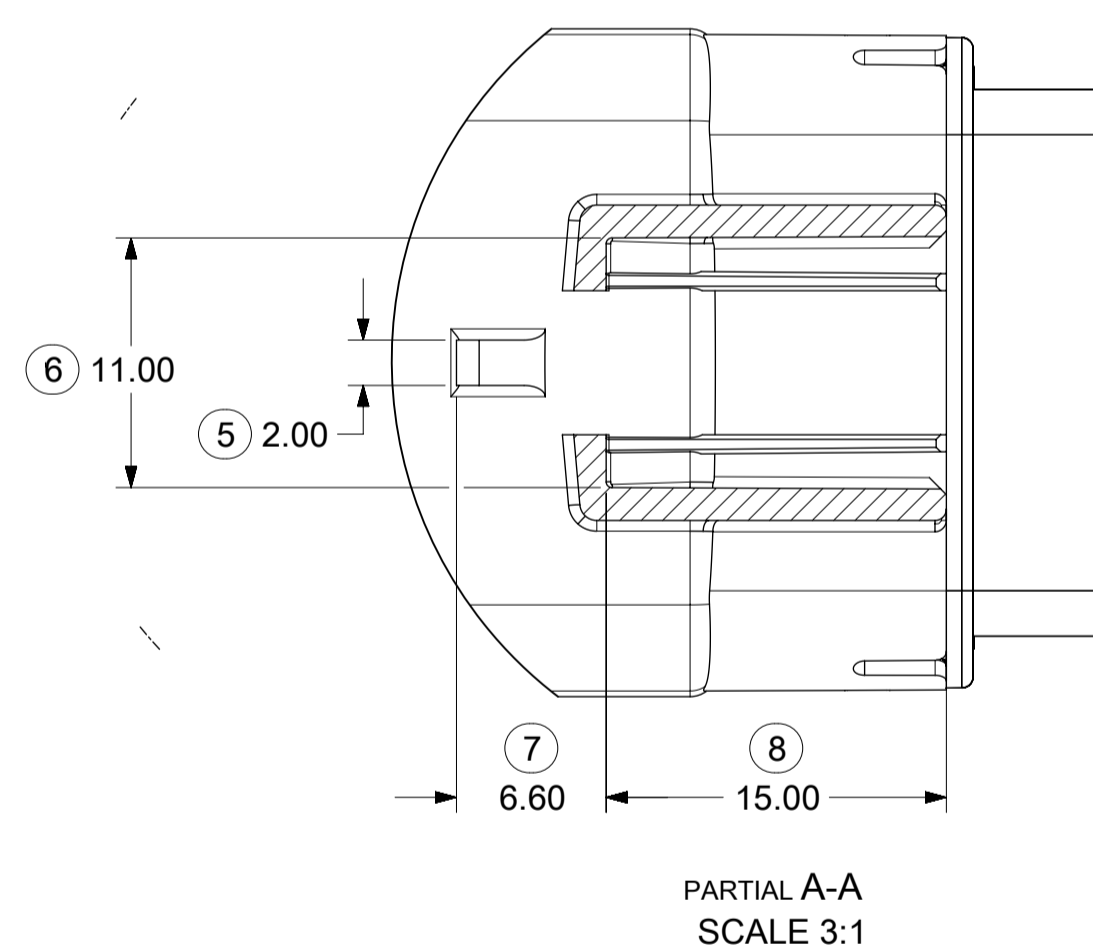
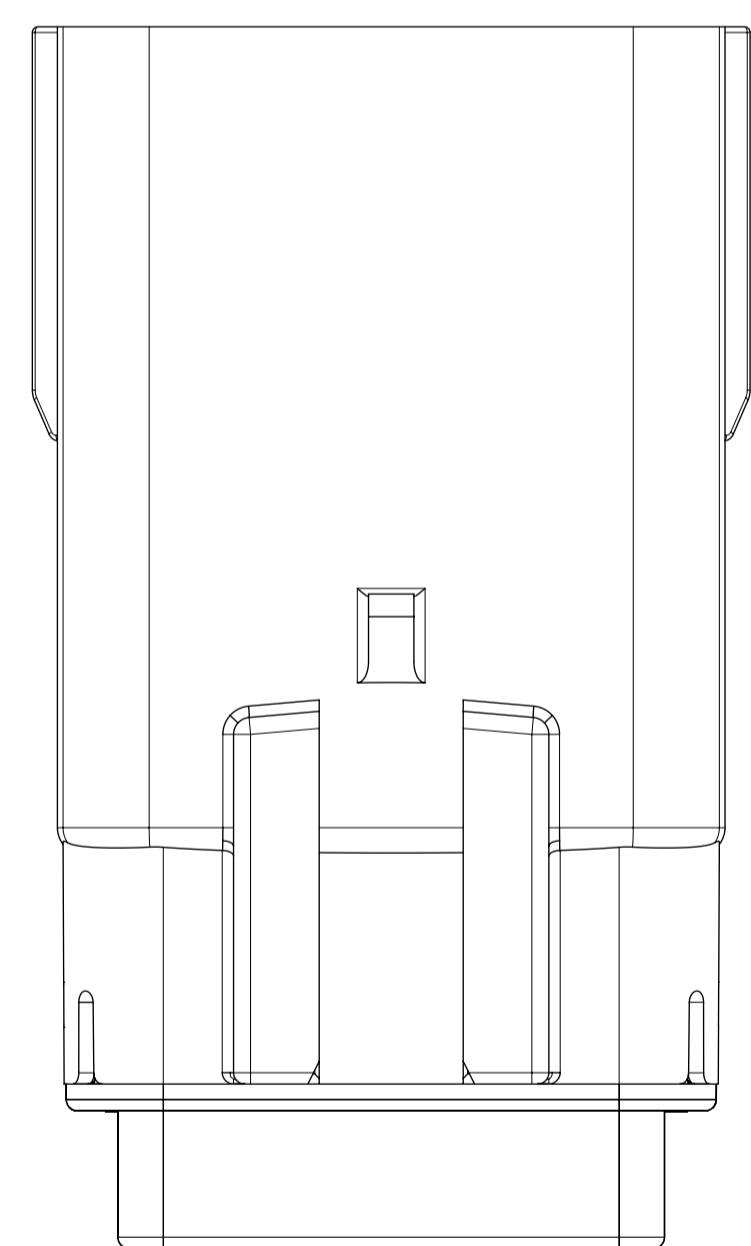
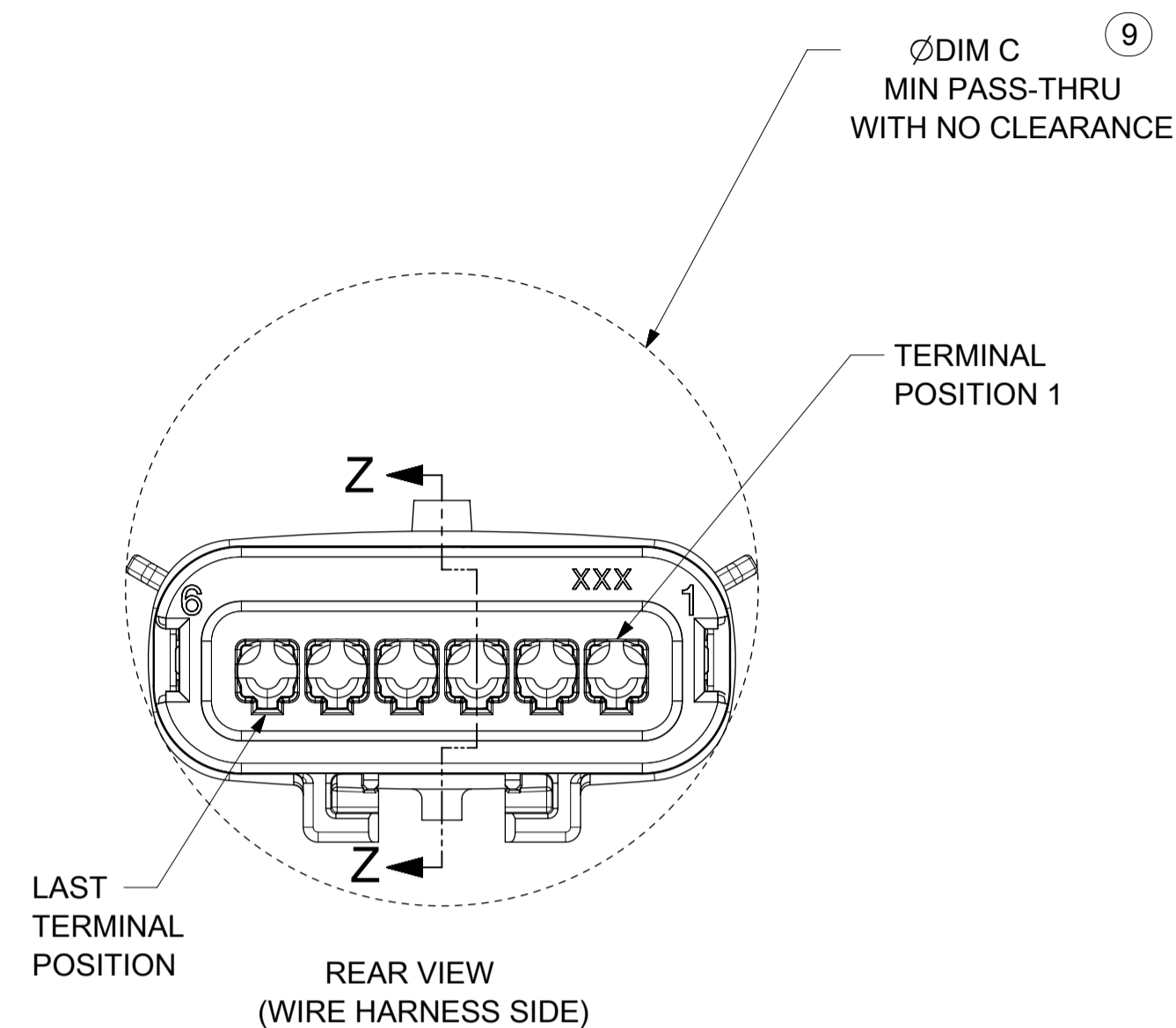
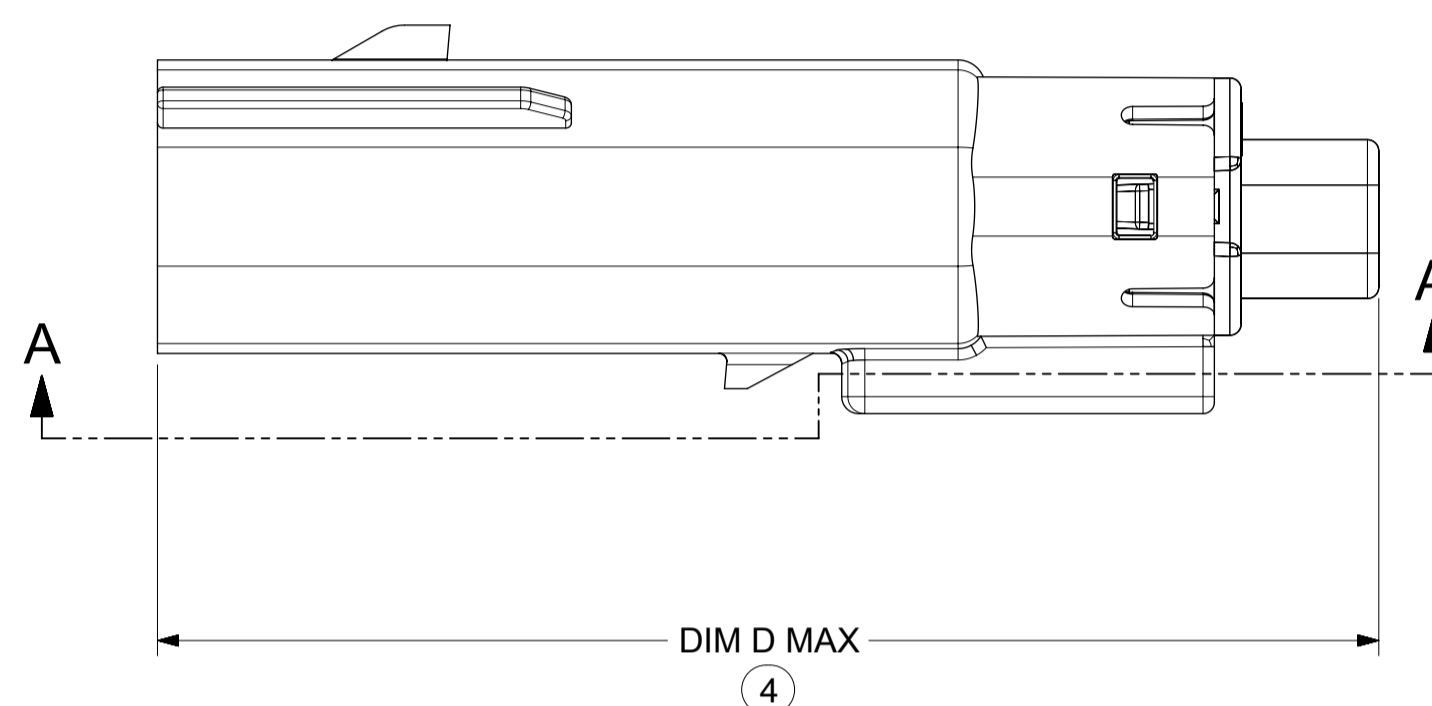
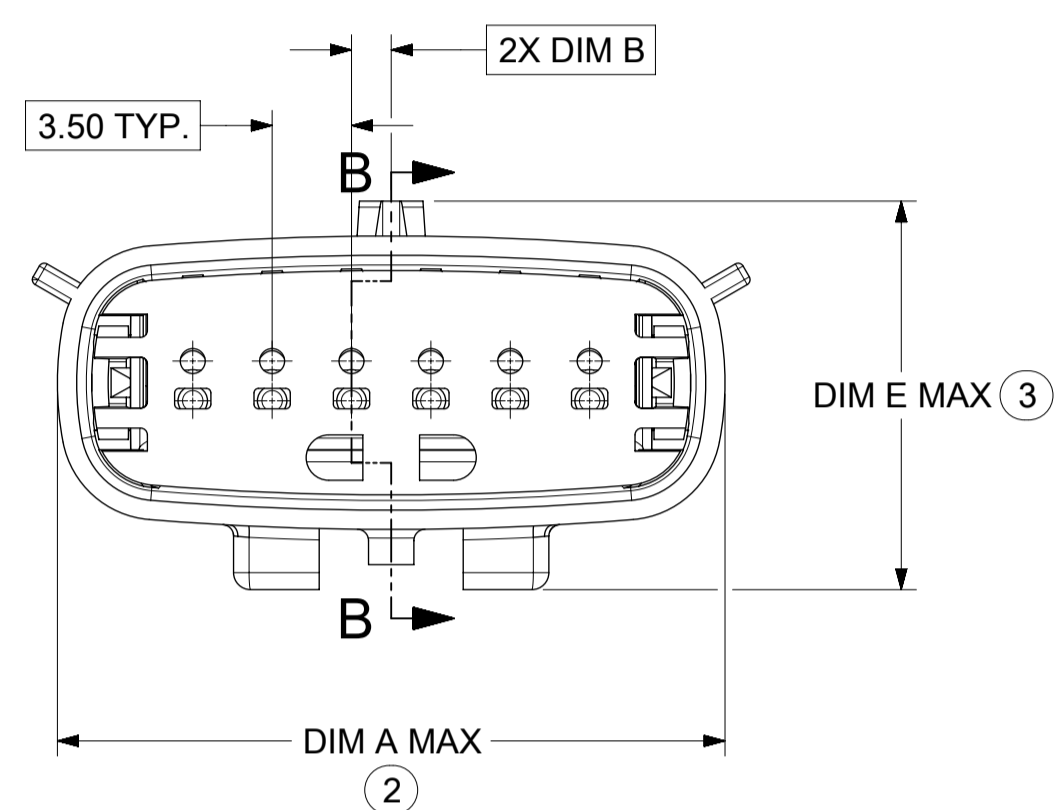
SYMBOLS = 0 = 0 = 0 = 0 = 0 = 0 = 0 = 0 = 0	THIS DRAWING CONTAINS INFORMATION THAT IS PROPRIETARY TO MOLEX ELECTRONIC TECHNOLOGIES, LLC AND SHOULD NOT BE USED WITHOUT WRITTEN PERMISSION DIMENSION UNITS: MM ONLY SCALE: 3:1	CURRENT REV DESC: EC NO: 602373 DRWN: DSHETTY01 2018/05/25 CHK'D: MVANSLAMBROU 2018/10/04 APPR: MVANSLAMBROU 2018/10/04	 MX150 BLADE SINGLE ROW SEALED ASSY MAT SEAL		
	GENERAL TOLERANCES (UNLESS SPECIFIED) ANGULAR TOL ± 1.0° 4 PLACES ± 3 PLACES ± 2 PLACES ± 0.1 1 PLACE ± 0.2 0 PLACES ±	INITIAL REVISION: DRWN: APROFFITT 2015/07/21 APPR: KDEKOSKI 2016/06/14	PRODUCT CUSTOMER DRAWING DOCUMENT NUMBER: SD-33481-0001 DOC TYPE: PSD DOC PART: 001 REVISION: A1	MATERIAL NUMBER: SEE NOTE 2a. CUSTOMER: GENERAL MARKET SHEET NUMBER: 4 OF 9	
DRAFT WHERE APPLICABLE MUST REMAIN WITHIN DIMENSIONS 	THIRD ANGLE PROJECTION 	DRAWING: A1-SIZE SERIES: 33481			

SHEET DESCRIPTION
BLADE SEALED ASSEMBLY

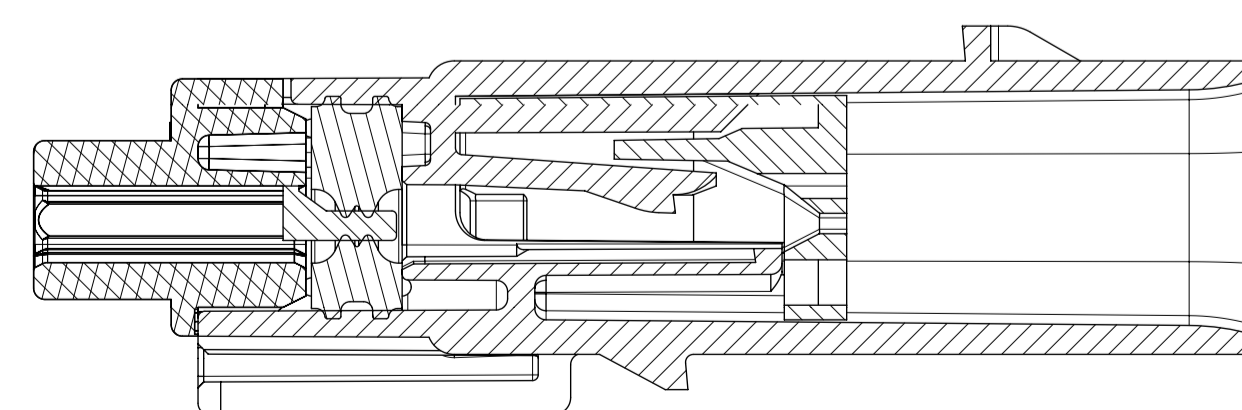
DESCRIPTION	DIMENSIONS				
	A	B	C	D	E
1X2	N/A	1.75	21.00	55.50	17.30
1X6	29.69	1.75	31.71	54.45	17.23



OPTIONAL LASER MARKING ON THIS SURFACE SEE NOTE 3g.



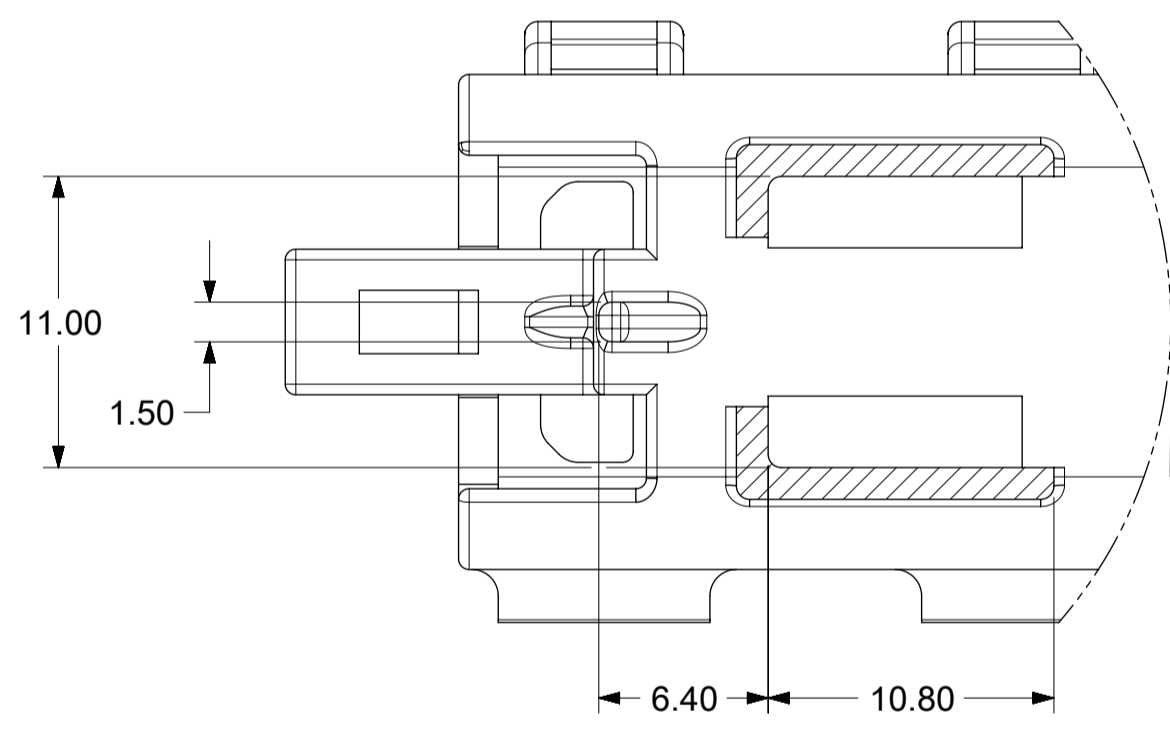
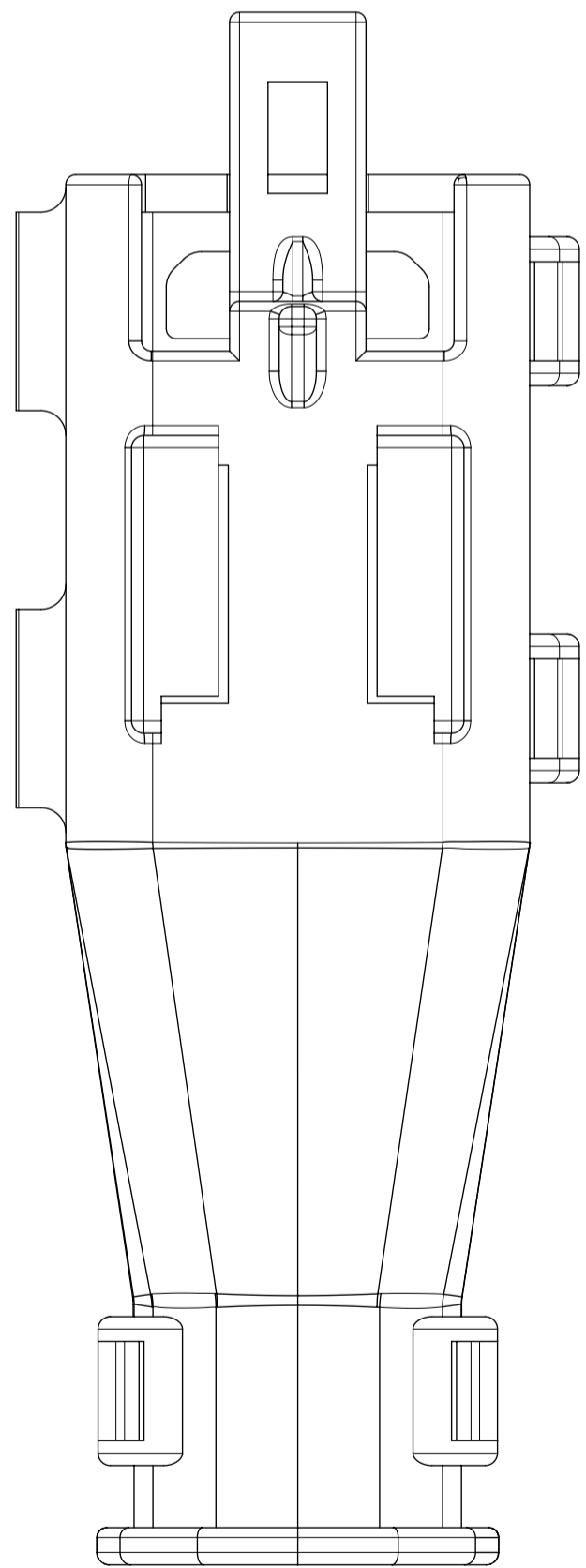
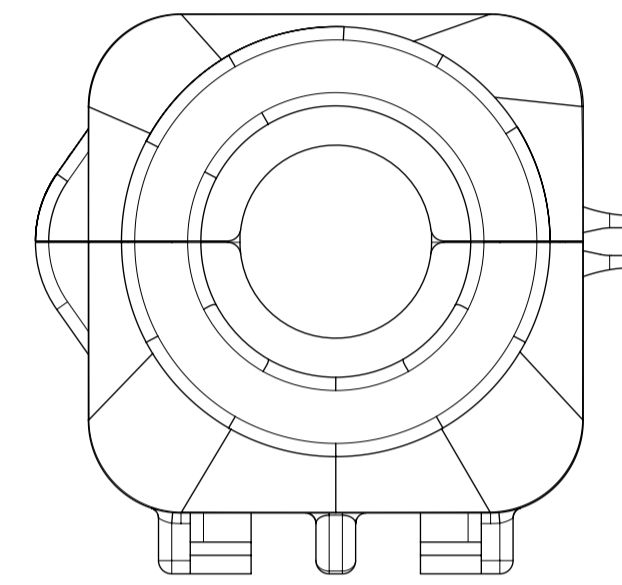
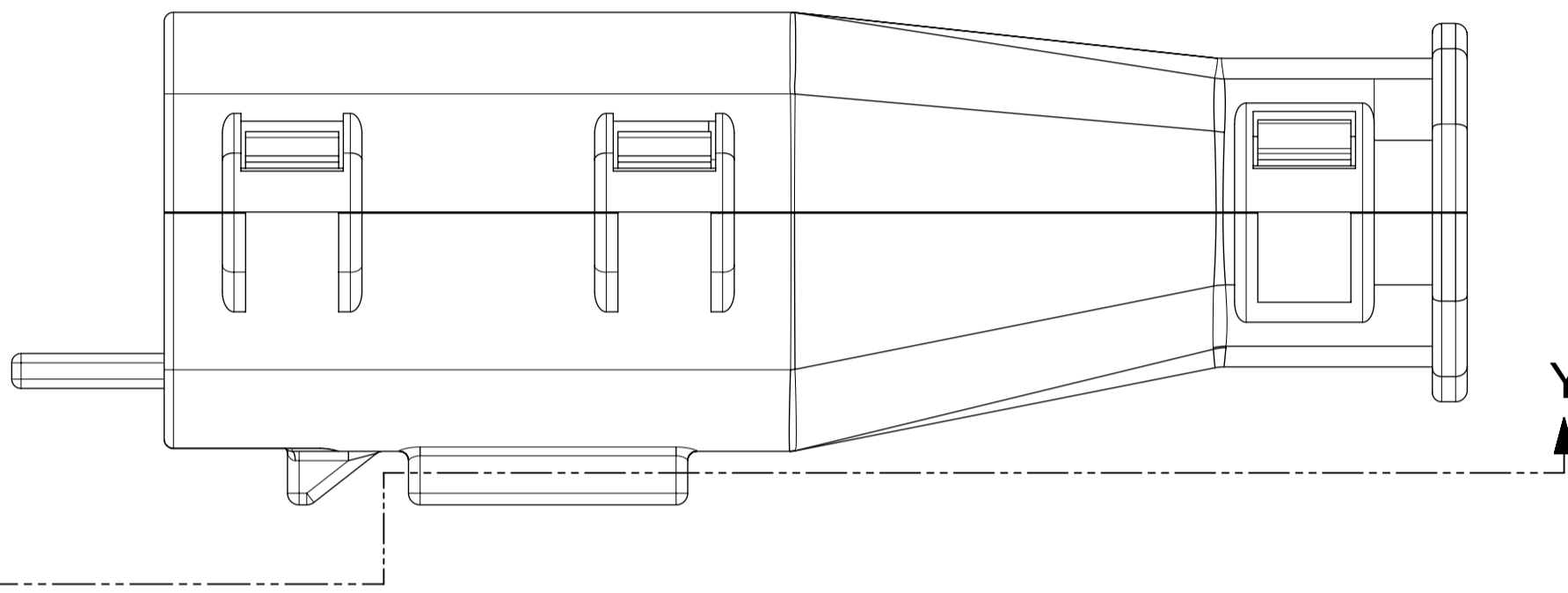
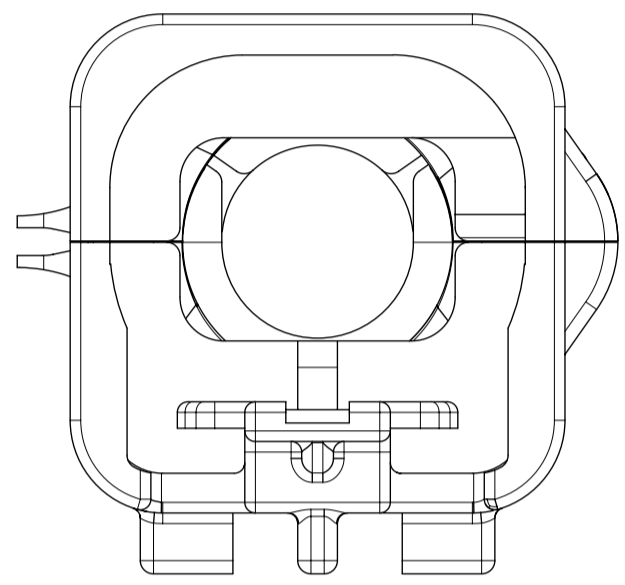
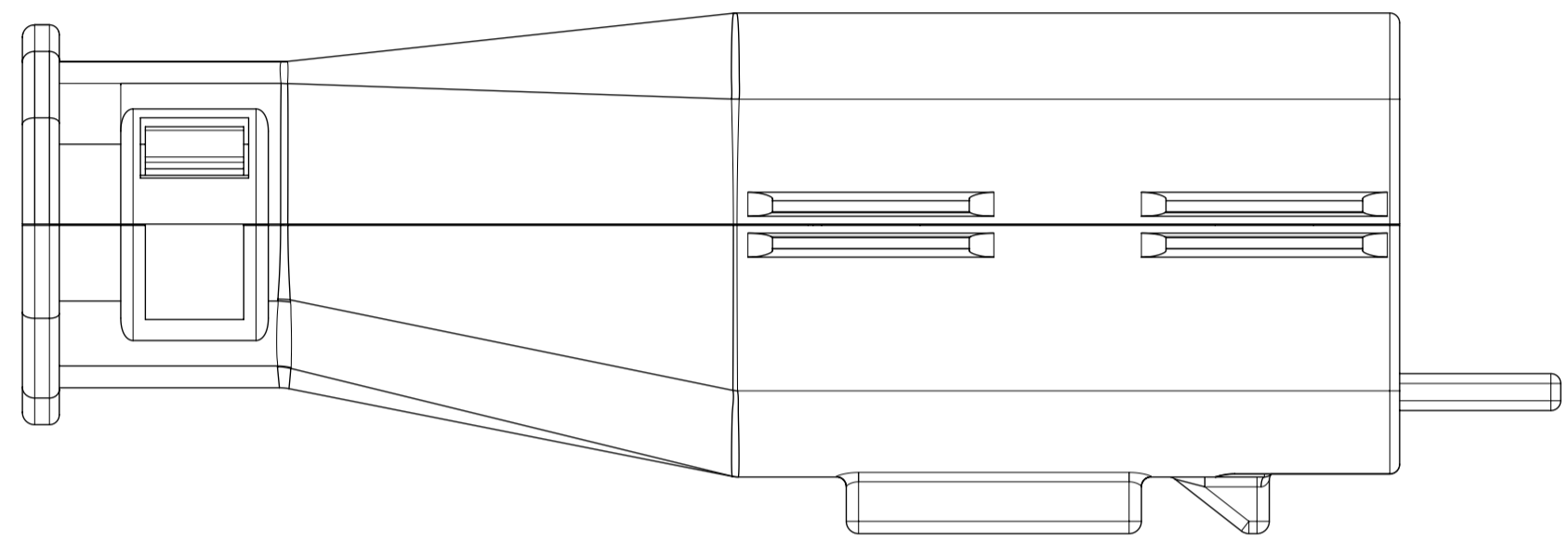
PRIMARY LOCK REINFORCEMENT (PLR) SHOWN IN PRE-STAGED POSITION SECTION B-B



PRIMARY LOCK REINFORCEMENT (PLR) SHOWN IN FINAL-LOCK POSITION SECTION Z-Z

SYMBOLS ▽ = 0 DIMENSION UNITS: MM ONLY ▽ = 0 SCALE: 3:1 ▽ = 0 GENERAL TOLERANCES (UNLESS SPECIFIED) ▽ = 0 ANGULAR TOL ± 1.0° ▽ = 0 4 PLACES ± ▽ = 0 3 PLACES ± ▽ = 0 2 PLACES ± 0.1 ▽ = 0 1 PLACE ± 0.2 ▽ = 0 0 PLACES ± ▽ = 0 DRAFT WHERE APPLICABLE MUST REMAIN WITHIN DIMENSIONS ▽ = 0	THIS DRAWING CONTAINS INFORMATION THAT IS PROPRIETARY TO MOLEX ELECTRONIC TECHNOLOGIES, LLC AND SHOULD NOT BE USED WITHOUT WRITTEN PERMISSION CURRENT REV DESC: EC NO: 602373 DRWN: DSHETTY01 2018/05/25 CHK'D: MVANSLAMBROU 2018/10/04 APPR: MVANSLAMBROU 2018/10/04 INITIAL REVISION: DRWN: APROFFITT 2015/07/21 APPR: KDEKOSKI 2016/06/14			
	PRODUCT CUSTOMER DRAWING DOCUMENT NUMBER: SD-33481-0001 DOC TYPE: PSD DOC PART: 001 REVISION: A1		MATERIAL NUMBER: SEE NOTE 2a. CUSTOMER: GENERAL MARKET SHEET NUMBER: 5 OF 9	
	THIRD ANGLE PROJECTION	DRAWING: A1-SIZE	SERIES: 33481	SHEET NUMBER: 5 OF 9

SHEET DESCRIPTION
BACKSHELL



PARTIAL Y-Y
SCALE 3.5:1

THIS DRAWING CONTAINS INFORMATION THAT IS PROPRIETARY TO MOLEX ELECTRONIC TECHNOLOGIES, LLC AND SHOULD NOT BE USED WITHOUT WRITTEN PERMISSION

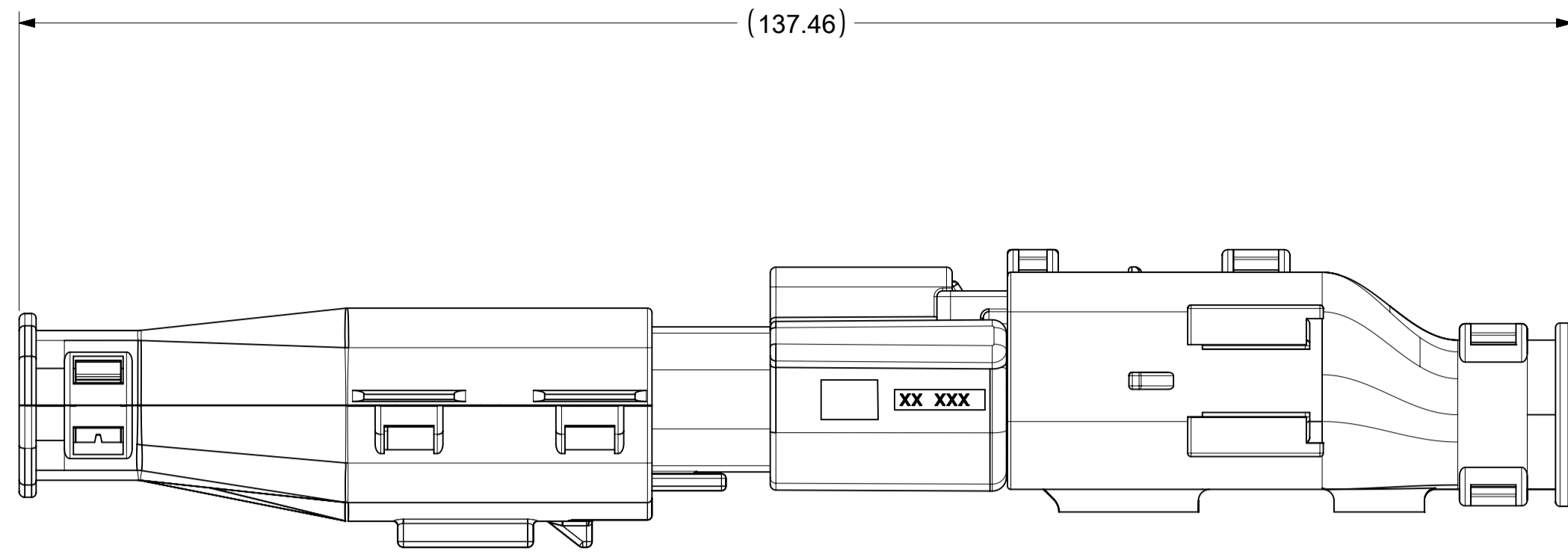
SYMBOLS	DIMENSION UNITS	SCALE
	MM ONLY	3.5:1
	GENERAL TOLERANCES (UNLESS SPECIFIED)	
	ANGULAR TOL ± 1.0°	
	4 PLACES	±
	3 PLACES	±
	2 PLACES	± 0.1
	1 PLACE	± 0.2
	0 PLACES	±
	DRAFT WHERE APPLICABLE MUST REMAIN WITHIN DIMENSIONS	

CURRENT REV DESC:		
EC NO:	602373	
DRWN:	DSHETTY01	2018/05/25
CHK'D:	MVANSLAMBROU	2018/10/04
APPR:	MVANSLAMBROU	2018/10/04
INITIAL REVISION:		
DRWN:	APROFFITT	2015/07/21
APPR:	KDEKOSKI	2016/06/14
THIRD ANGLE PROJECTION	DRAWING	SERIES
	A1-SIZE	33481

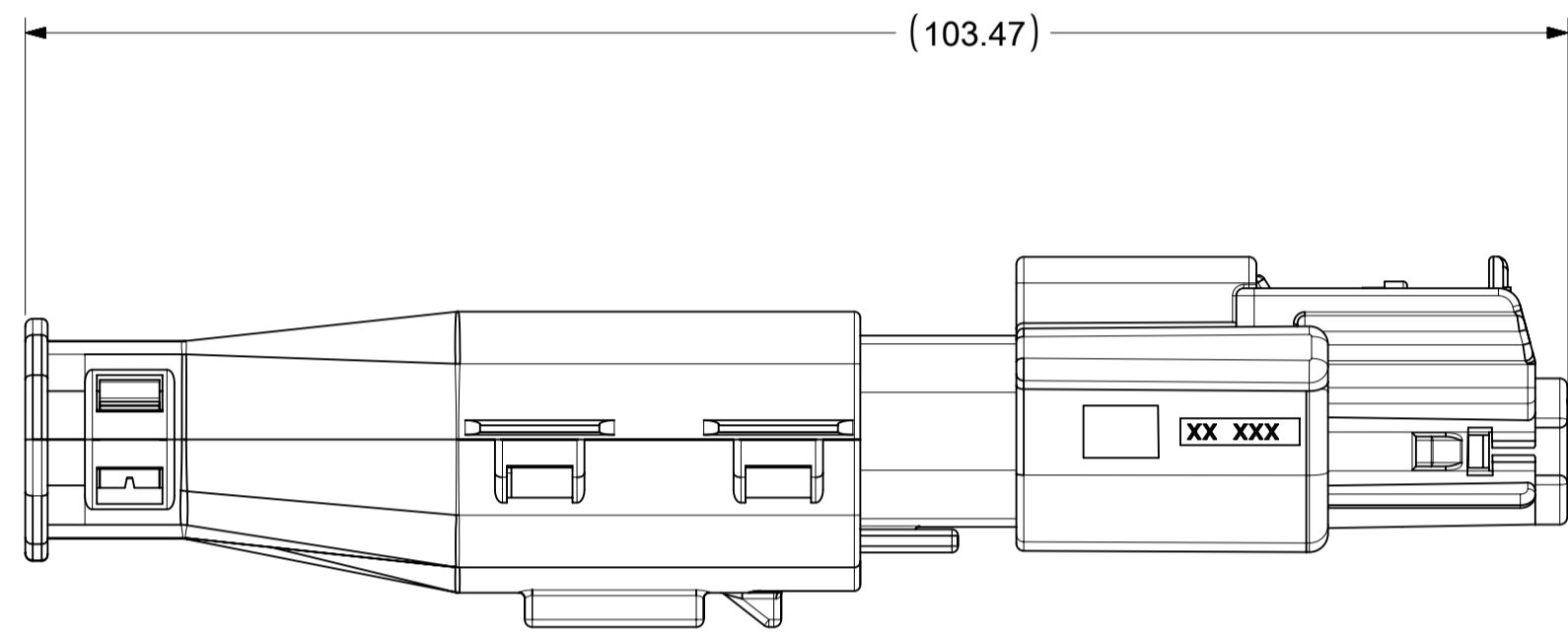
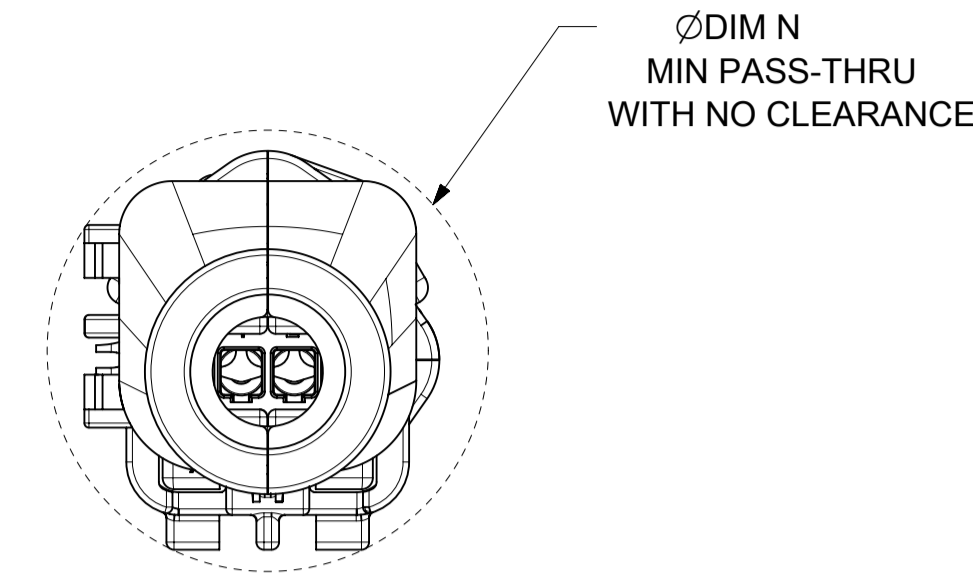
molex		
MX150 BLADE SINGLE ROW SEALED ASSY MAT SEAL		
PRODUCT CUSTOMER DRAWING		
DOCUMENT NUMBER	DOC TYPE	DOC PART
SD-33481-0001	PSD	001
MATERIAL NUMBER	CUSTOMER	SHEET NUMBER
SEE NOTE 2a.	GENERAL MARKET	8 OF 9

SHEET DESCRIPTION
BACKSHELL CONFIGURATIONS

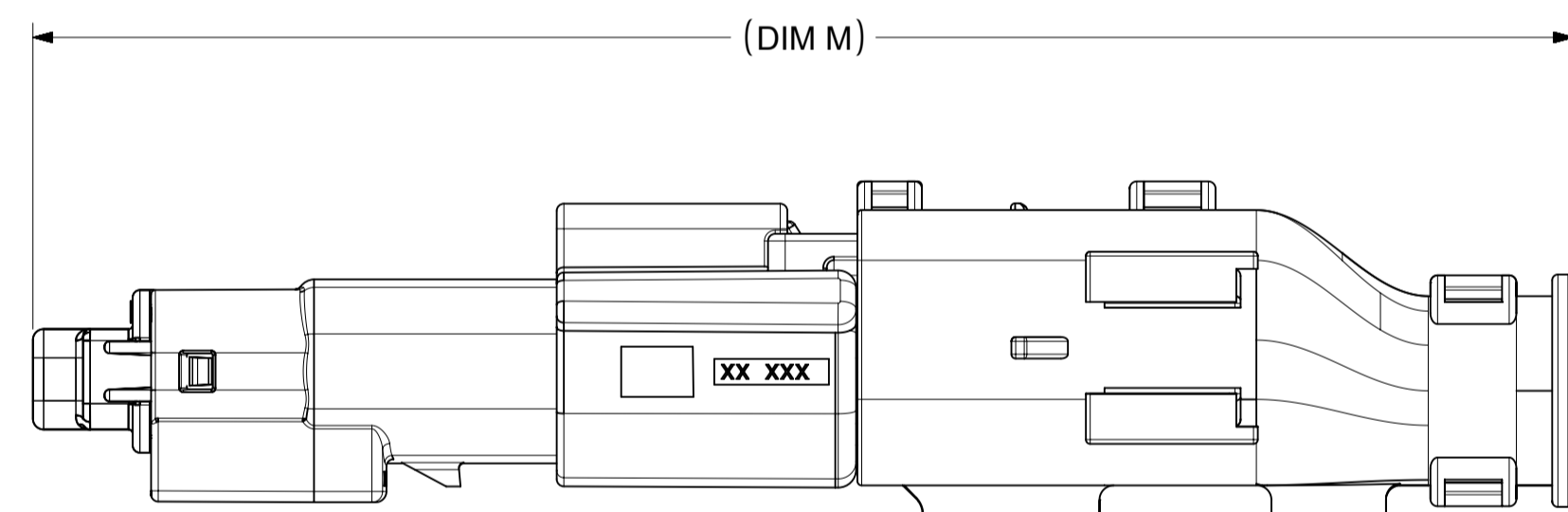
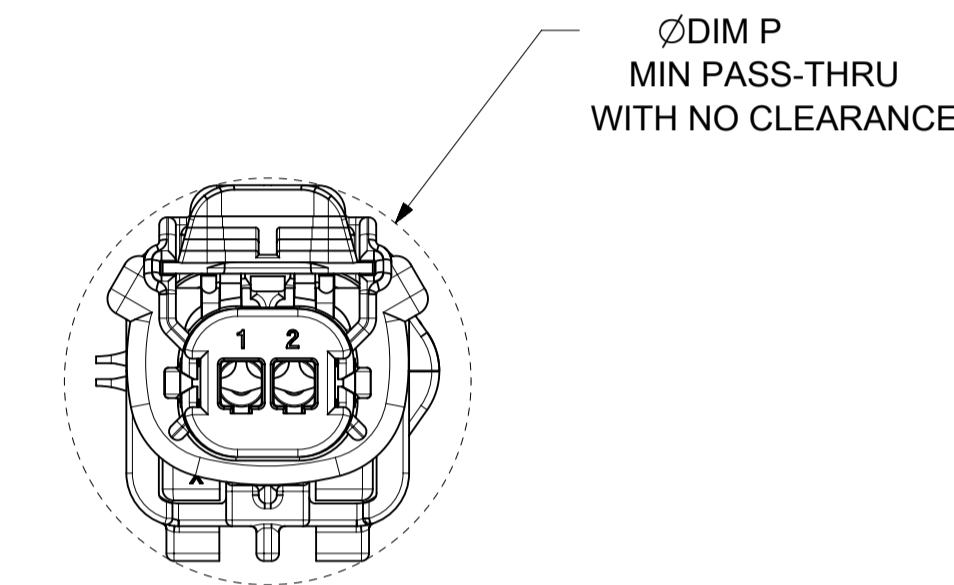
CKT	BLADE CONFIGURATION	RECEPTACLE CONFIGURATION	DIMENSIONS				
			M	N	P	R	S
1X2	STANDARD	STANDARD	107.84	29.50	27.00	26.25	25.00



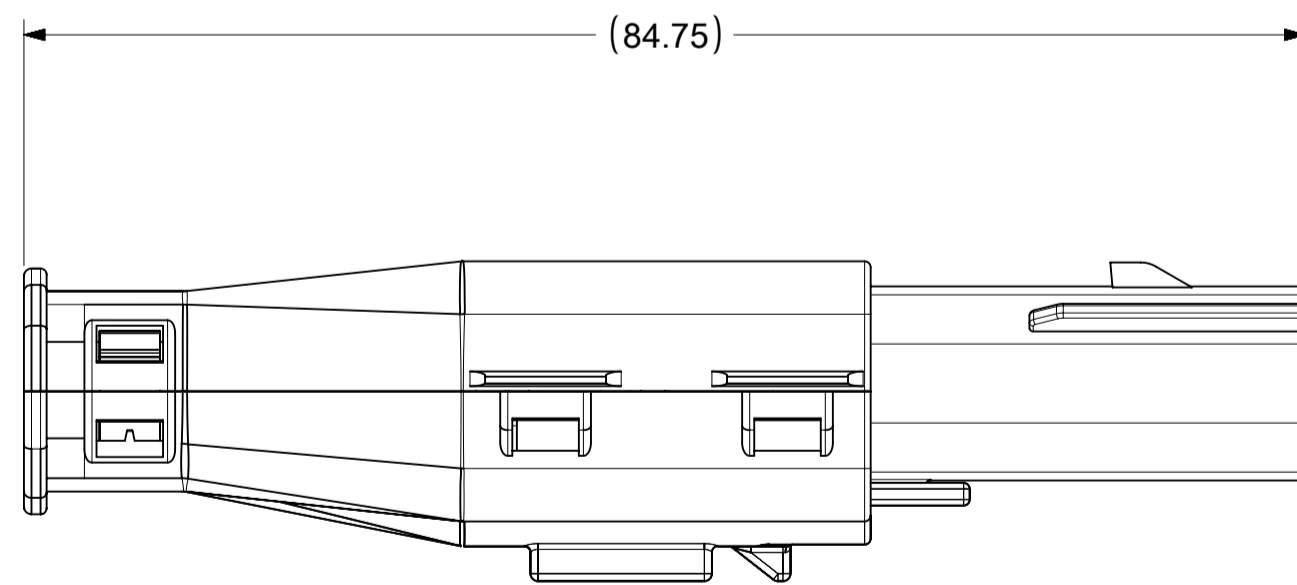
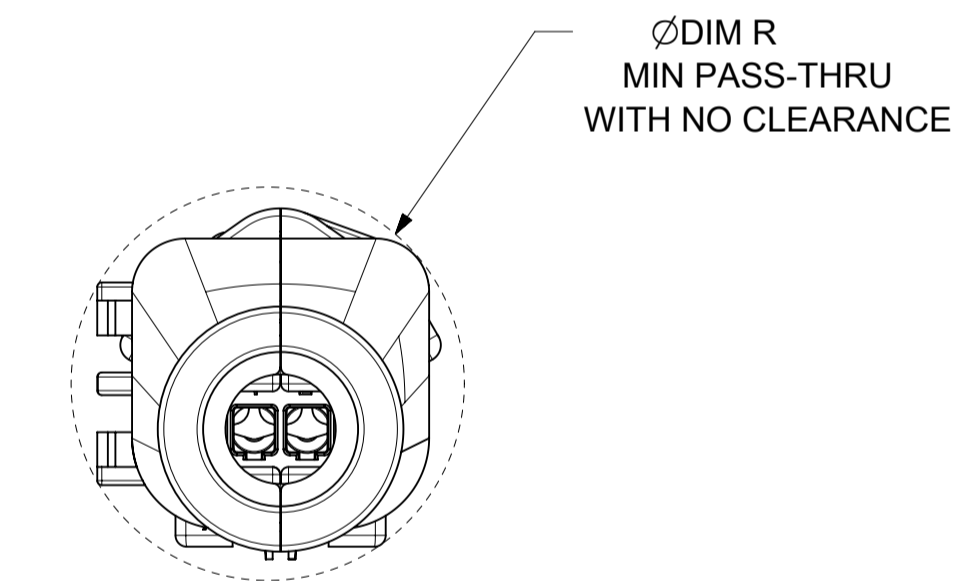
OVERALL MATED SYSTEM WITH BLADE AND RECEPTACLE BACKSHELL



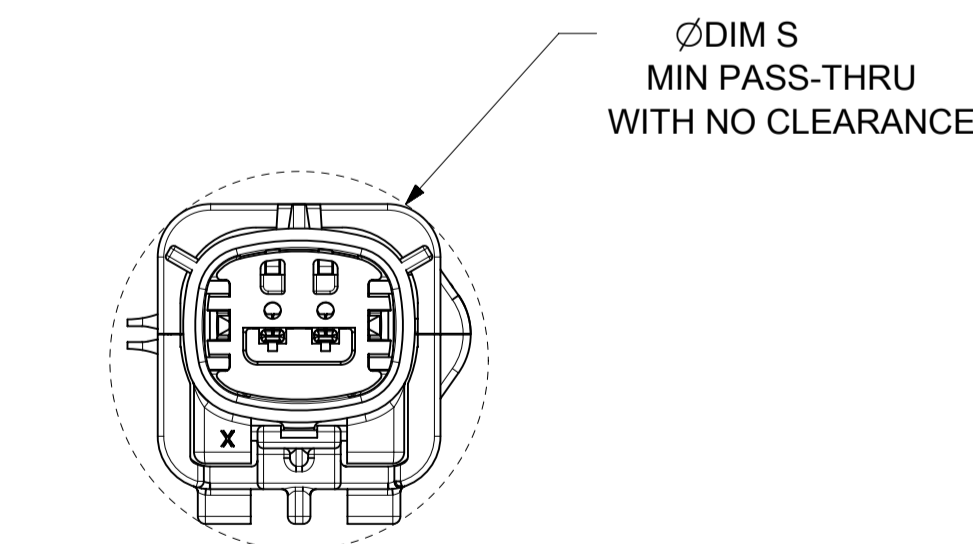
OVERALL MATED SYSTEM WITH BLADE BACKSHELL



OVERALL MATED SYSTEM WITH RECEPTACLE BACKSHELL

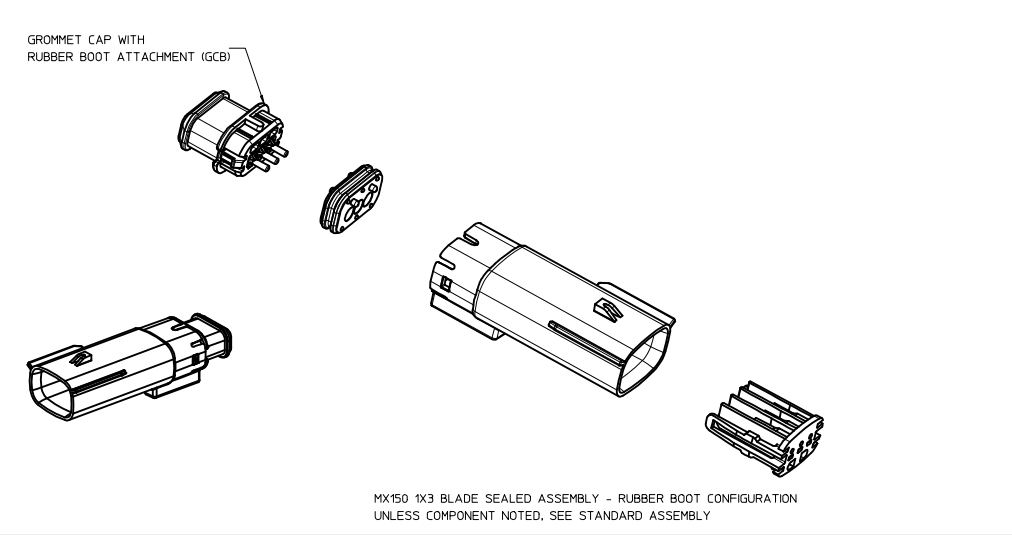
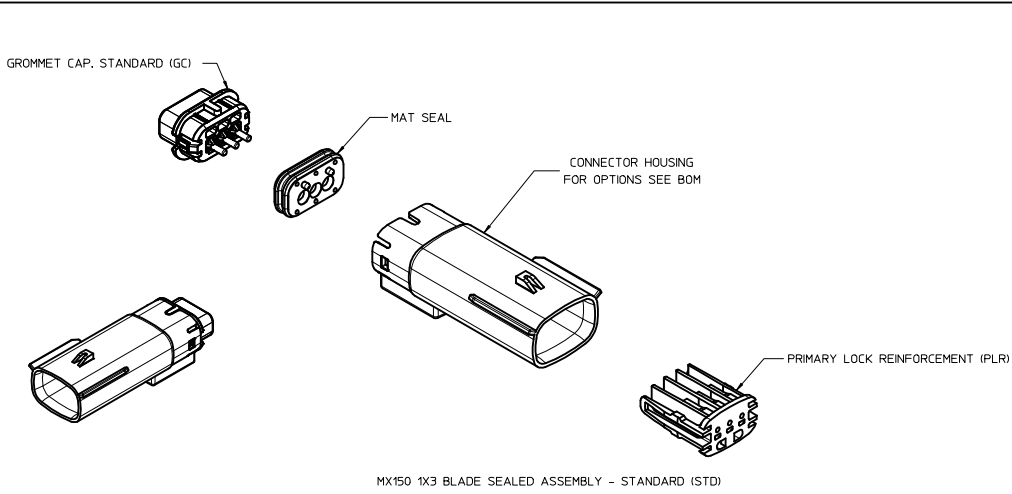


BLADE SEALED ASSEMBLY WITH BLADE BACKSHELL



SYMBOLS = 0 = 0 = 0 = 0 = 0 = 0 = 0 = 0 = 0 = 0	THIS DRAWING CONTAINS INFORMATION THAT IS PROPRIETARY TO MOLEX ELECTRONIC TECHNOLOGIES, LLC AND SHOULD NOT BE USED WITHOUT WRITTEN PERMISSION DIMENSION UNITS: MM ONLY SCALE: 2:1	CURRENT REV DESC: EC NO: 602373 DRWN: DSHETTY01 2018/05/25 CHK'D: MVANSLAMBROU 2018/10/04 APPR: MVANSLAMBROU 2018/10/04	 MX150 BLADE SINGLE ROW SEALED ASSY MAT SEAL		
	GENERAL TOLERANCES (UNLESS SPECIFIED) ANGULAR TOL ± 1.0° 4 PLACES ± 3 PLACES ± 2 PLACES ± 0.1 1 PLACE ± 0.2 0 PLACES ±	INITIAL REVISION: DRWN: APROFFITT 2015/07/21 APPR: KDEKOSKI 2016/06/14	PRODUCT CUSTOMER DRAWING DOCUMENT NUMBER: SD-33481-0001 DOC TYPE: PSD DOC PART: 001 REVISION: A1		
DRAFT WHERE APPLICABLE MUST REMAIN WITHIN DIMENSIONS	THIRD ANGLE PROJECTION	DRAWING: A1-SIZE SERIES: 33481	MATERIAL NUMBER: SEE NOTE 2a. CUSTOMER: GENERAL MARKET	SHEET NUMBER: 9 OF 9	

TABLE OF CONTENTS	
SHEET NO.	SHEET DESCRIPTION
1	NOTES
2	KEY CONFIGURATIONS
3	BLADE SEALED ASSEMBLY
4	SYSTEM PACKAGING
5	RUBBER BOOT CONFIGURATION
6	BOH
7	RUBBER BOOT INTERFACE



NOTES: VALID UNLESS OTHERWISE SPECIFIED

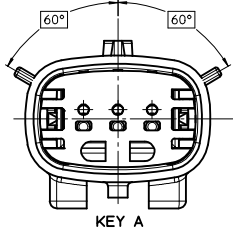
- GENERAL:
 - APPLICATION SPECIFICATION SEE: AS-33472-100
CONTAINS: PRODUCT INTRODUCTION, PRODUCT SUMMARY, CONNECTOR ASSEMBLY, PACKAGING INFORMATION, CONNECTOR MATING, SERVICE INSTRUCTIONS, ELECTRICAL CONTINUITY CHECKING, CRIMPING, AND TROUBLESHOOTING.
-DESIGNED TO MATE WITH RECEPTACLE SEALED ASSEMBLY SPECIFIED IN MOLEX DRAWING SD-33471-031.
-FOR 1.5mm BLADE TERMINALS TO BE USED WITH THIS ASSEMBLY SEE MOLEX DRAWING SD-33000-001.
- SYSTEM TO BE USED WITH WIRE WITH DIAMETER RANGE OF 1.2mm TO 2.69mm.
-ASSEMBLY SHIPPED WITH PLR IN PRE-LOCK POSITION
-IN THE EVENT THAT THE PLR IS FOUND IN THE SEATED (FINAL LOCK) POSITION, REFER TO MOLEX SPECIFICATION PS-34646-001, AVAILABLE AT www.molex.com <<http://www.molex.com>>
-ASSEMBLY CONFORMS TO SAE/USCAR-2 REV.4 WITH THE FOLLOWING EXCEPTIONS:
TERMINAL INSERTION FORCE FOR WIRE DIAMETER ABOVE 2.5mm NOT EXCEEDING 2.69mm SHALL NOT EXCEED 45 NEWTONS.
 - PRODUCT SPECIFICATION SEE: PS-33471-000
CONTAINS: PRODUCT INTRODUCTION, PRODUCT SUMMARY, RATINGS (CURRENT, TEMPERATURE, SEALING, AND FLAMMABILITY), AND PRODUCT VALIDATION.
 - PACKAGING SPECIFICATION PER MOLEX DRAWING: PK-31300-635
 - PARTS MUST BE IN COMPLIANCE TO MOLEX CHEMICAL SUBSTANCES FOR PRODUCTS AND PACKAGING SPECIFICATION PS-40000-5016
 - DATA MUST BE SUBMITTED UNDER THE MOLEX PART NUMBER TO IMDS (COMPANY ID#13255)
- DESIGN - MATERIALS:
 - CONNECTOR HOUSING, GROMMET CAP, PLR: SPS/NYLON BLEND 20% GLASS FILLED
 - MAT SEAL: INHERENTLY LUBRICATED SILICONE
- DESIGN - GEOMETRY:
 - THIS IS A 100% CAD GENERATED PART. THE CAD MATHEMATICAL DATA IS THE MASTER FOR THIS PART. FOR DIMENSIONAL OR ANY INFORMATION NOT SHOWN ON THIS DRAWING, ANALYZE THE CAD MODEL.
 - GEOMETRIC DIMENSIONS AND TOLERANCES PER ASME Y14.5M - 1994
 - EDGES AND UNDIMENSIONED DETAILS PER ISO13715
 - CORNERS SHOWN AS SHARP TO BE R 0.2 MAX.
 - LETTERING SHALL BE 0.15 MAX RAISED IN 0.25 MAX RECESS PAD. THIS INCLUDES RECYCLING CODE, CAVITY ID, VENDOR IDENTIFICATION, AND CUSTOMER MATERIAL NUMBER.
 - VISUAL DEFECTS SHALL MEET COSMETIC STANDARD PS-45499-002 (Class B)
 - LASER MARKING: TBD

INSPECTION NUMBER LOG
LAST NUMBER USED: 21
ADDED:
REMOVED:

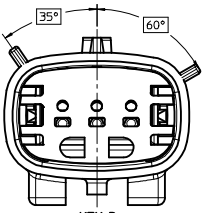
R4	ADD P/N/S 33481-3301 TO 33481-3341		
R3	DEVIATED THE DM 16		
R2	RELEASED P/N 33481-0341		
R1	RELEASED P/N 33481-0340, DELETED P/N 33481-0331		
R	ADD RUBBER BOOT CONFIGURATION		
Q	UPDATE P/N 33481-0326 TO 33481-0330		
P	ADD NEW P/N 33481-0326		
N	UPDATED GROMMET CAP		
M3	UPDATED DIMENSIONS TO MATCH MODEL		
M2	COLOR REPLACEMENT FOR KEY C AND D PER USCAR STANDARD		
M1	UPDATED NOTES		
M	REDRAWN		
REV	DESCRIPTION		
MM ONLY	DESIGN UNITS	SCALE	THIRD ANGLE PROJECTION
DATE	METRIC	3:1	☉ □
DMARCOUX 06-12-02	MX150 1X3 BLADE SEALED ASSEMBLY MAT SEAL		
DGRIFFIT 06-12-02			
FHOLUB 06-12-02			
DATE			
MATERIAL NO. SEE BOM		DOCUMENT NO. SD-33481-031	SHEET NO. 1 OF 7
THIS DRAWING CONTAINS INFORMATION THAT IS PROPRIETARY TO MOLEX INCORPORATED AND SHOULD NOT BE USED WITHOUT WRITTEN PERMISSION			

QUALITY SYMBOLS	GENERAL TOLERANCES (UNLESS SPECIFIED)	DIMENSION STYLE
▽=0	mm INCH	MM ONLY
▽=0	4 PLACES ± --- ± ---	DRAWN BY DATE
▽=0	3 PLACES ± 0.10 ± ---	CHECKED BY DATE
	1 PLACE ± 0.3 ± ---	APPROVED BY DATE
	0 PLACE ± ±	FHOLUB 06-12-02
	ANGULAR ± 3 °	
	DRAFT WHERE APPLICABLE MUST REMAIN WITHIN DIMENSIONS	

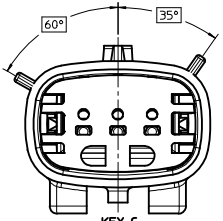
KEY CONFIGURATIONS



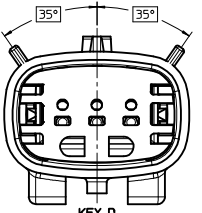
KEY A



KEY B



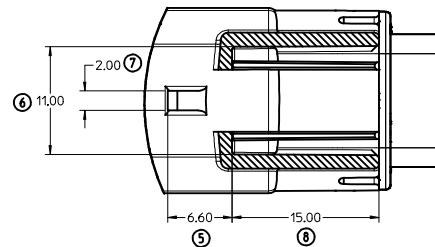
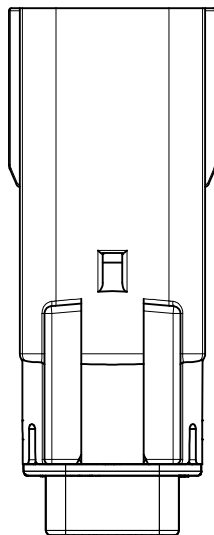
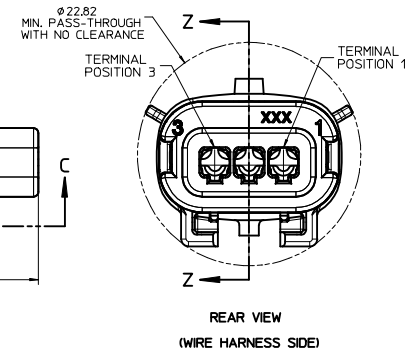
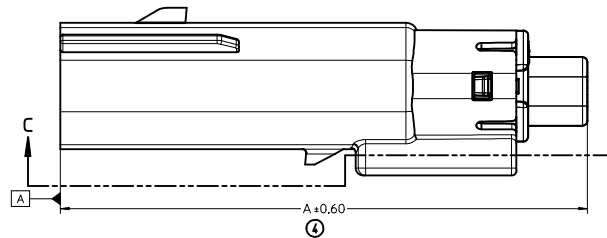
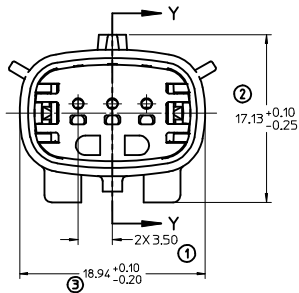
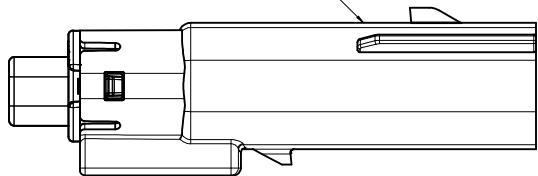
KEY C



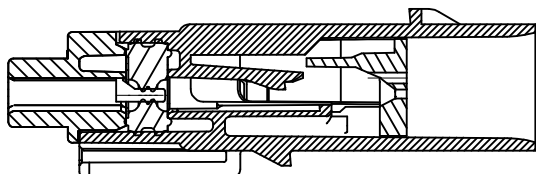
KEY D

SEE REV. COLUMN EC NO. UAU2018-0293 DRAWN: SONGS 2017/10/14 CHECKED: VANSI ANBROU 2017/10/18 APPR: VANSI ANBROU 2017/10/30	QUALITY SYMBOLS	GENERAL TOLERANCES (UNLESS SPECIFIED)	DIMENSION STYLE	SCALE	DESIGN UNITS	THIRD ANGLE PROJECTION
	∇=0 ∇=0 ∇=0	mm INCH 4 PLACES ± --- ± --- 3 PLACES ± 0.10 ± --- 2 PLACES ± 0.3 ± --- 1 PLACE ± ± --- 0 PLACE ± ±	MM ONLY	4:1	METRIC	DRAWN BY: DMARCOUX CHECKED BY: DGRIFFIT APPROVED BY: FHOLUB DATE: 06-12-02
	ANGULAR ± 3 ° DRAFT WHERE APPLICABLE MUST REMAIN WITHIN DIMENSIONS	MATERIAL NO. SEE BOM DOCUMENT NO. SD-33481-031	TITLE: MX150 1X3 BLADE SEALED ASSEMBLY MAT SEAL SHEET NO. 2 OF 7			
	SIZE D	THIS DRAWING CONTAINS INFORMATION THAT IS PROPRIETARY TO MOLEX INCORPORATED AND SHOULD NOT BE USED WITHOUT WRITTEN PERMISSION				

LASER MARKING THIS SURFACE
SEE NOTE 3g.

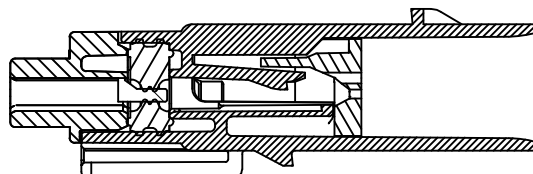


SECTION C-C



PRIMARY LOCK REINFORCEMENT (PLR) SHOWN
IN PRE-STAGED POSITION

SECTION Z-Z



PRIMARY LOCK REINFORCEMENT (PLR) SHOWN
IN FINAL-LOCK POSITION

SECTION Y-Y

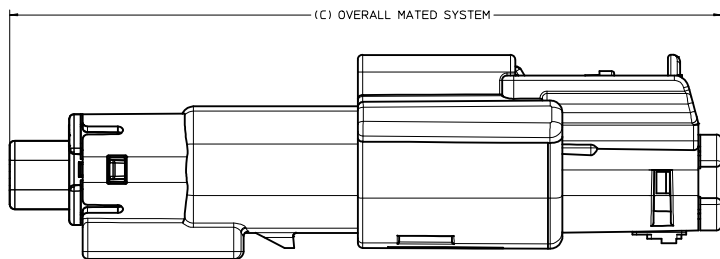
CHARTED DIMENSIONS

CONFIGURATION	A
MX150 1X3 BLADE SEALED ASSEMBLY - STANDARD	53.85
MX150 1X3 BLADE SEALED ASSEMBLY - RUBBER BOOT CONFIGURATION	57.85

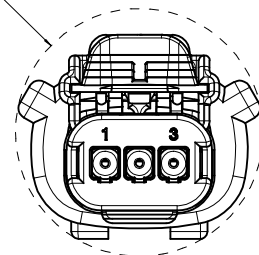
SEE REV. COLUMN EEC NO. UAU2018-0293 DRAWN BY: 2017/10/14 CHYKONGS CHECKED BY: ANBR012017/10/18 APPROVED BY: ANBR012017/10/30	QUALITY SYMBOLS	GENERAL TOLERANCES (UNLESS SPECIFIED)	DIMENSION STYLE	SCALE	DESIGN UNITS	THIRD ANGLE PROJECTION	
	∇=0 ∇=0 ∇=0	mm INCH 4 PLACES ± --- ± --- 3 PLACES ± --- ± --- 2 PLACES ± 0.10 ± --- 1 PLACE ± 0.3 ± --- 0 PLACE ± ±	MM ONLY	4:1	METRIC	DRAWN BY: DMARCOUX DATE: 06-12-02 CHECKED BY: DGRIFFIT DATE: 06-12-02 APPROVED BY: FHOLUB DATE: 06-12-02	MX150 1X3 BLADE SEALED ASSEMBLY MAT SEAL molex
	ANGULAR ± 3 ° DRAFT WHERE APPLICABLE MUST REMAIN WITHIN DIMENSIONS	MATERIAL NO.	SEE BOM	DOCUMENT NO.	SD-33481-031	SHEET NO.	3 OF 7
	SIZE D THIS DRAWING CONTAINS INFORMATION THAT IS PROPRIETARY TO MOLEX INCORPORATED AND SHOULD NOT BE USED WITHOUT WRITTEN PERMISSION						

20 19 18 17 16 15 14 13 12 11 10 9 8 7 6 5 4 3 2 1

SYSTEM PACKAGING



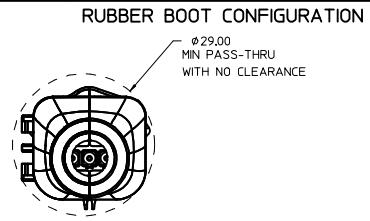
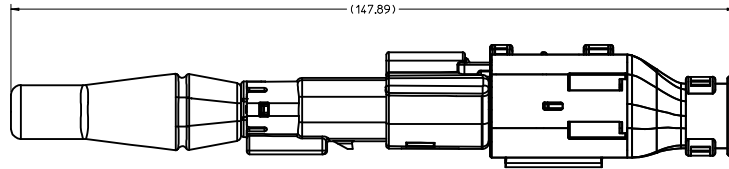
ø25.30
MIN. PASS-THROUGH
WITH NO CLEARANCE



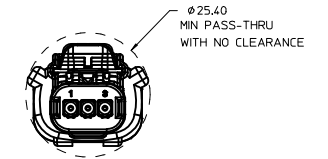
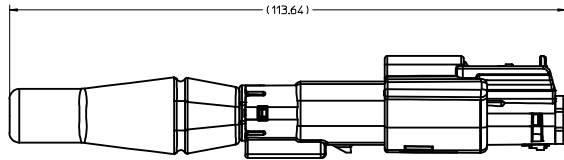
CHARTED DIMENSIONS	
CONFIGURATION	C
MX150 1X3 BLADE SEALED ASSEMBLY - STANDARD	72.71
MX150 1X3 BLADE SEALED ASSEMBLY - RUBBER BOOT CONFIGURATION	76.71

SEE REV. COLUMN EC NO. UAU2018-0293 DRAWN: SONGS 2017/10/14 CHECK: MYANSI, ANBROU 2017/10/18 APPR: MYANSI, ANBROU 2017/10/30	QUALITY SYMBOLS ∇=0 ∇=0 ∇=0	GENERAL TOLERANCES (UNLESS SPECIFIED) mm INCH		DIMENSION STYLE MM ONLY	SCALE 4:1	DESIGN UNITS METRIC	THIRD ANGLE PROJECTION
		4 PLACES ± --- ± --- 3 PLACES ± --- ± --- 2 PLACES ± 0.10 ± --- 1 PLACE ± 0.3 ± --- 0 PLACE ± ±	DRAWN BY DMARCOUX 06-12-02 CHECKED BY DGRIFFIT 06-12-02 APPROVED BY FHOLUB 06-12-02	TITLE MX150 1X3 BLADE SEALED ASSEMBLY MAT SEAL		MATERIAL NO. SEE BOM	
ANGLAR ± 3 ° DRAFT WHERE APPLICABLE MUST REMAIN WITHIN DIMENSIONS		THIS DRAWING CONTAINS INFORMATION THAT IS PROPRIETARY TO MOLEX INCORPORATED AND SHOULD NOT BE USED WITHOUT WRITTEN PERMISSION					

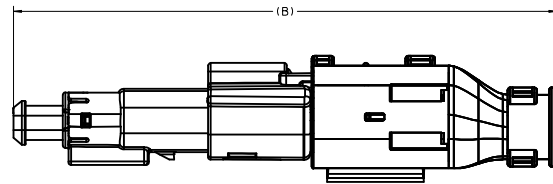
19 18 17 16 15 14 13 12 11 10 9 8 7 6 5 4 3 2 1



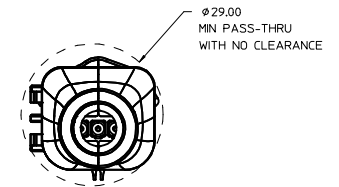
OVERALL MATED SYSTEM WITH BLADE RUBBER BOOT AND RECEPTACLE BACKSHELL



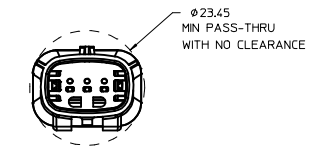
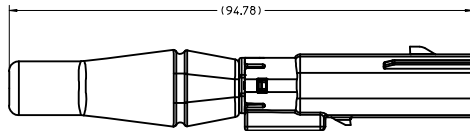
OVERALL MATED SYSTEM WITH BLADE RUBBER BOOT



CHARTED DIMENSIONS	
CONFIGURATION	B
MX150 1X3 BLADE SEALED ASSEMBLY - STANDARD	106.96
MX150 1X3 BLADE SEALED ASSEMBLY - RUBBER BOOT CONFIGURATION	110.96



OVERALL MATED SYSTEM WITH RECEPTACLE BACKSHELL



BLADE SEALED ASSEMBLY WITH BLADE RUBBER BOOT

SEE REV. COLUMN ELEC. NO. UAU2018-0293 DRAWN BY: 2017/10/14 CHYKCHYAN/SLANBROU/2017/10/18 APPR: MYANSI/ANBROU/2017/10/30 REV. DESCRIPTION	QUALITY SYMBOLS	GENERAL TOLERANCES (UNLESS SPECIFIED)	DIMENSION STYLE	SCALE	DESIGN UNITS	THIRD ANGLE PROJECTION																		
	$\nabla=0$ $\nabla=0$ $\nabla=0$	<table border="1"> <thead> <tr> <th></th> <th>mm</th> <th>INCH</th> </tr> </thead> <tbody> <tr> <td>4 PLACES</td> <td>±---</td> <td>±---</td> </tr> <tr> <td>3 PLACES</td> <td>±---</td> <td>±---</td> </tr> <tr> <td>2 PLACES</td> <td>±0.10</td> <td>±---</td> </tr> <tr> <td>1 PLACE</td> <td>±0.3</td> <td>±---</td> </tr> <tr> <td>0 PLACE</td> <td>±</td> <td>±</td> </tr> </tbody> </table>		mm	INCH	4 PLACES	±---	±---	3 PLACES	±---	±---	2 PLACES	±0.10	±---	1 PLACE	±0.3	±---	0 PLACE	±	±	MM ONLY	2:1	METRIC	
		mm	INCH																					
	4 PLACES	±---	±---																					
3 PLACES	±---	±---																						
2 PLACES	±0.10	±---																						
1 PLACE	±0.3	±---																						
0 PLACE	±	±																						
DRAWN BY: DMARCOUX CHECKED BY: DGRIFFIT APPROVED BY: FHOLUB DATE: 06-12-02 DATE: 06-12-02 DATE: 06-12-02	ANGULAR ± 3 ° DRAFT WHERE APPLICABLE MUST REMAIN WITHIN DIMENSIONS	MATERIAL NO. SEE BOM DOCUMENT NO. SD-33481-031	TITLE MX150 1X3 BLADE SEALED ASSEMBLY MAT SEAL molex	SHEET NO. 5 OF 7																				
SIZE D THIS DRAWING CONTAINS INFORMATION THAT IS PROPRIETARY TO MOLEX INCORPORATED AND SHOULD NOT BE USED WITHOUT WRITTEN PERMISSION																								

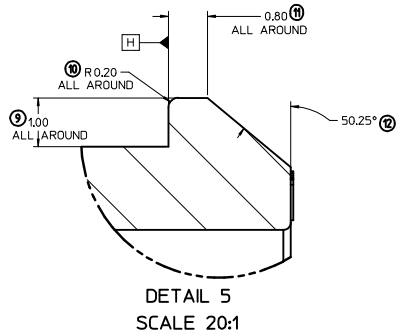
ASSEMBLY PART NUMBER	COLOR	KEYING OPTION	CAVITY TYPE & STATUS (X = PLUGGED)			COMMENTS	OPTIONAL ATTACHMENT SOLD SEPARATELY SMP RUBBER BOOT
			1	2	3		
33481-0301	BLACK	A					NOT AVAILABLE
33481-0302	LT. GRAY	B					NOT AVAILABLE
33481-0303	BROWN	C					NOT RECOMMENDED, SEE P/N 33481-0322
33481-0304	GREEN	D					NOT RECOMMENDED, SEE P/N 33481-0323
33481-0305	CUSTOM	TBD					NOT AVAILABLE
33481-0306	BLACK	A			X		NOT AVAILABLE
33481-0307	LT. GRAY	B			X		NOT AVAILABLE
33481-0308	BROWN	C			X		NOT AVAILABLE
33481-0309	GREEN	D			X		NOT AVAILABLE
33481-0310	CUSTOM	TBD			X		NOT AVAILABLE
33481-0311	BLACK	A	X	X	X		NOT AVAILABLE
33481-0312	LT. GRAY	B	X	X	X		NOT AVAILABLE
33481-0313	BROWN	C	X	X	X		NOT AVAILABLE
33481-0314	GREEN	D	X	X	X		NOT AVAILABLE
33481-0315	CUSTOM	TBD	X	X	X		NOT AVAILABLE
33481-0316	BLACK	A	X	X	X		NOT AVAILABLE
33481-0317	LT. GRAY	B	X	X	X		NOT AVAILABLE
33481-0318	BROWN	C	X	X	X		NOT RECOMMENDED, SEE P/N 33481-0324
33481-0319	GREEN	D	X	X	X		NOT RECOMMENDED, SEE P/N 33481-0325
33481-0320	CUSTOM	TBD	X	X	X		NOT AVAILABLE
33481-0321	BLACK	A			X		NOT AVAILABLE
33481-0322	DK. GRAY	C					NOT AVAILABLE
33481-0323	ST. GRAY	D					NOT AVAILABLE
33481-0324	DK. GRAY	C	X	X	X		NOT AVAILABLE
33481-0325	ST. GRAY	D	X	X	X		NOT AVAILABLE
33481-0330	YELLOW	A					NOT AVAILABLE
33481-0340	BLACK	A					RUBBER BOOT CONFIGURATION P/N TBD
33481-0341	BLACK	A	X	X	X		RUBBER BOOT CONFIGURATION P/N TBD

ASSEMBLY PART NUMBER	COLOR	KEYING OPTION	CAVITY TYPE & STATUS (X = PLUGGED)			COMMENTS	OPTIONAL ATTACHMENT SOLD SEPARATELY SMP RUBBER BOOT
			1	2	3		
33481-3301	BLACK	A					NOT AVAILABLE
33481-3302	LT. GRAY	B					NOT AVAILABLE
33481-3303	BROWN	C					NOT RECOMMENDED, SEE P/N 33481-3322
33481-3304	GREEN	D					NOT RECOMMENDED, SEE P/N 33481-3323
33481-3305	CUSTOM	TBD					NOT AVAILABLE
33481-3306	BLACK	A			X		NOT AVAILABLE
33481-3307	LT. GRAY	B			X		NOT AVAILABLE
33481-3308	BROWN	C			X		NOT AVAILABLE
33481-3309	GREEN	D			X		NOT AVAILABLE
33481-3310	CUSTOM	TBD			X		NOT AVAILABLE
33481-3311	BLACK	A	X	X	X		NOT AVAILABLE
33481-3312	LT. GRAY	B	X	X	X		NOT AVAILABLE
33481-3313	BROWN	C	X	X	X		NOT AVAILABLE
33481-3314	GREEN	D	X	X	X		NOT AVAILABLE
33481-3315	CUSTOM	TBD	X	X	X		NOT AVAILABLE
33481-3316	BLACK	A	X	X	X		NOT AVAILABLE
33481-3317	LT. GRAY	B	X	X	X		NOT AVAILABLE
33481-3318	BROWN	C	X	X	X		NOT RECOMMENDED, SEE P/N 33481-3324
33481-3319	GREEN	D	X	X	X		NOT RECOMMENDED, SEE P/N 33481-3325
33481-3320	CUSTOM	TBD	X	X	X		NOT AVAILABLE
33481-3321	BLACK	A			X		NOT AVAILABLE
33481-3322	DK. GRAY	C					NOT AVAILABLE
33481-3323	ST. GRAY	D					NOT AVAILABLE
33481-3324	DK. GRAY	C	X	X	X		NOT AVAILABLE
33481-3325	ST. GRAY	D	X	X	X		NOT AVAILABLE
33481-3330	YELLOW	A					NOT AVAILABLE
33481-3340	BLACK	A					RUBBER BOOT CONFIGURATION P/N TBD
33481-3341	BLACK	A	X	X	X		RUBBER BOOT CONFIGURATION P/N TBD

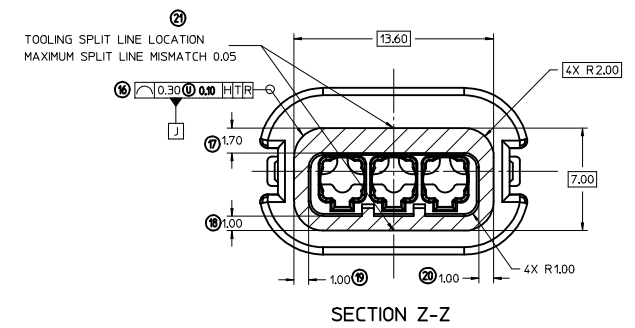
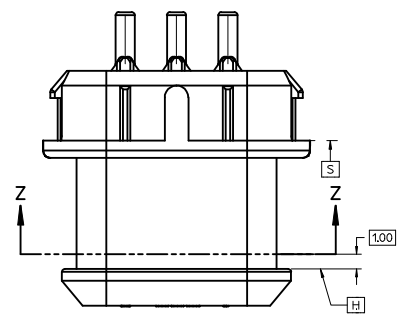
Ⓜ

SEE REV. COLUMN 5 FOR R4 SEC NO: UAU2018-0293 DRAWN BY: CHYKONGSONG 2017/10/14 CHECKED BY: CHYKONGSONG 2017/10/18 APPR: MYANSLAMBROU 2017/10/30	QUALITY SYMBOLS	GENERAL TOLERANCES (UNLESS SPECIFIED)	DIMENSION STYLE	SCALE	DESIGN UNITS	THIRD ANGLE PROJECTION
	∇=0 ∇=0 ∇=0	mm INCH 4 PLACES ±.001 ±.001 3 PLACES ±.005 ±.005 2 PLACES ±0.10 ±.005 1 PLACE ±0.3 ±.005 0 PLACE ± ±	MM ONLY	DMARCOUX 06-12-02	METRIC	MX150 1X3 BLADE SEALED ASSEMBLY MAT SEAL
	ANGULAR ± 3 ° DRAFT WHERE APPLICABLE MUST REMAIN WITHIN DIMENSIONS	MATERIAL NO. SEE BOM DATE DGRIFFIT 06-12-02 DATE FHOLUB 06-12-02	DOCUMENT NO. SD-33481-031 SHEET NO. 6 OF 7			
	THIS DRAWING CONTAINS INFORMATION THAT IS PROPRIETARY TO MOLEX INCORPORATED AND SHOULD NOT BE USED WITHOUT WRITTEN PERMISSION					

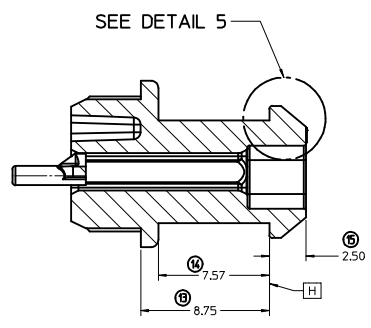
RUBBER BOOT INTERFACE



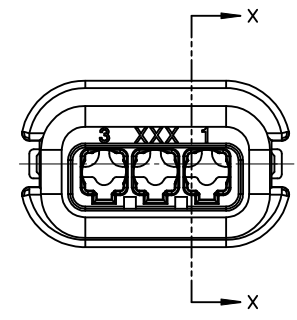
DETAIL 5
SCALE 20:1



SECTION Z-Z



SECTION X-X



SEE REV. COLUMN EEC NO. UAU2018-0293 DRAWN: SONGS 2017/10/14 CHKD: MYANSI, ANBROU 2017/10/18 APPR: MYANSI, ANBROU 2017/10/30	QUALITY SYMBOLS	GENERAL TOLERANCES (UNLESS SPECIFIED)	DIMENSION STYLE	SCALE	DESIGN UNITS	THIRD ANGLE PROJECTION
	∇=0 ∇=0 ∇=0	4 PLACES ± mm ± INCH 3 PLACES ± --- ± --- 2 PLACES ± 0.10 ± --- 1 PLACE ± 0.3 ± --- 0 PLACE ± ±	MM ONLY	2:1	METRIC	DRAWN BY: DMARCOUX CHECKED BY: DGRIFFIT APPROVED BY: FHOLUB DATE: 06-12-02 DATE: 06-12-02 DATE: 06-12-02
	ANGULAR ± 3 ° DRAFT WHERE APPLICABLE MUST REMAIN WITHIN DIMENSIONS	MATERIAL NO. SEE BOM	DOCUMENT NO. SD-33481-031	TITLE MX150 1X3 BLADE SEALED ASSEMBLY MAT SEAL molex	SHEET NO. 7 OF 7	
	SIZE D	THIS DRAWING CONTAINS INFORMATION THAT IS PROPRIETARY TO MOLEX INCORPORATED AND SHOULD NOT BE USED WITHOUT WRITTEN PERMISSION				