

TABLE OF CONTENTS	
SHEET NO.	SHEET DESCRIPTION
1	NOTES AND BOM
2	CONFIGURATIONS
3-4	KEY CONFIGURATIONS
5	BLADE SEALED ASSEMBLY
6	SYSTEM PACKAGING
7	BACKSHELL NOTES
8	BACKSHELL
9	BACKSHELL CONFIGURATIONS

NOTES: VALID UNLESS OTHERWISE SPECIFIED

1. GENERAL:
a. APPLICATION SPECIFICATION SEE: AS-33472-100
-CONTAINS: PRODUCT INTRODUCTION, PRODUCT SUMMARY, CONNECTOR ASSEMBLY, PACKAGING INFORMATION, CONNECTOR MATING, SERVICE INSTRUCTIONS, ELECTRICAL CONTINUITY CHECKING, CRIMPING, AND TROUBLESHOOTING.
-DESIGNED TO MATE WITH RECEPTACLE SEALED ASSEMBLY AS SPECIFIED IN THE MATING CONNECTOR DRAWINGS CHART.
*DENOTES DRAWINGS THAT CAN BE ACCESSED AT <http://ewcap.uscarteams.org/>.
-ASSEMBLY SHIPPED WITH PLR IN PRE-LOCK POSITION (SEE PLR PRE-LOCK VIEW SHEET 5).

b. PRODUCT SPECIFICATION SEE:
-STANDARD CONFIGURATION: PS-33472-000
-UL V0 CONFIGURATION: TBD
CONTAINS: PRODUCT INTRODUCTION, PRODUCT SUMMARY, RATINGS (CURRENT, TEMPERATURE, SEALING, AND FLAMMABILITY), TERMINALS, WIRE DIAMETER RANGE, PRODUCT VALIDATION, AND PRODUCT DEVIATIONS.

c. PACKAGING SPECIFICATION PER MOLEX DRAWING: PK-31300-635

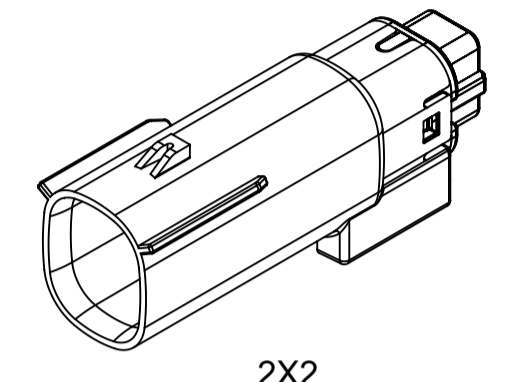
d. PARTS MUST BE IN COMPLIANCE TO MOLEX CHEMICAL SUBSTANCES FOR PRODUCTS AND PACKAGING SPECIFICATION: QEHS-699000-300

e. DATA MUST BE SUBMITTED UNDER THE MOLEX PART NUMBER TO IMDS (COMPANY ID#13255)

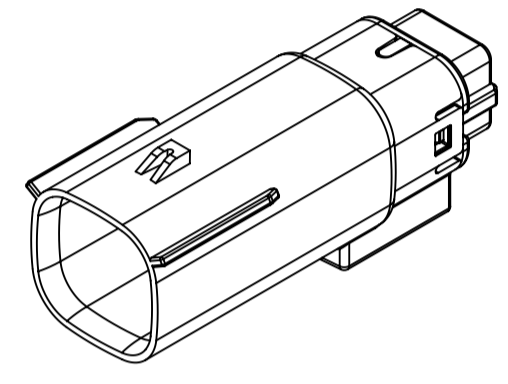
2. DESIGN - MATERIALS:
a. FOR BILL OF MATERIALS SEE:
-STANDARD CONFIGURATION: SD-33482-0002
-UL V0 CONFIGURATION: SD-160084-0002

3. DESIGN - GEOMETRY:
a. THE 3-D CAD DATA IS BASIC (WITHOUT TOLERANCE) AND MASTER FOR THIS PART WITH THE EXCEPTION OF UNDERLINED DIMENSIONS. DIMENSIONAL INFORMATION NOT SHOWN ON THIS DRAWING IS DEFINED BY THE DATA FILE AT ITS LATEST REVISION.
b. GEOMETRIC DIMENSIONS AND TOLERANCES PER ASME Y14.5M-2009
c. EDGES AND UNDIMENSIONED DETAILS PER ISO13715
d. CORNERS SHOWN AS SHARP TO BE R 0.2 MAX.
e. LETTERING SHALL BE 0.15 MAX RAISED IN 0.25 MAX RECESS PAD. THIS INCLUDES RECYCLING CODE, CAVITY ID, VENDOR IDENTIFICATION, AND CUSTOMER MATERIAL NUMBER.
f. VISUAL DEFECTS SHALL MEET COSMETIC STANDARD PS-45499-002 (Class B).
g. LASER MARKING:
1. PART NUMBER
2. DAY OF THE YEAR
3. SHIFT
4. YEAR
FOR ADDITIONAL INFORMATION SEE SECTION 5 UNDER PROCEDURES IN ES-34735-008.

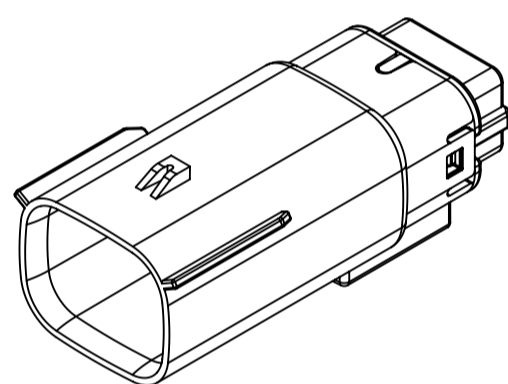
MATING CONNECTOR DRAWINGS	
DESCRIPTION	MOLEX INLINE
2X2	SD-33472-0001
2X3	SD-33472-0001
2X4	SD-33472-0001
2X6	SD-33472-0001
2X8	SD-33472-0001
2X10	SD-33472-0001



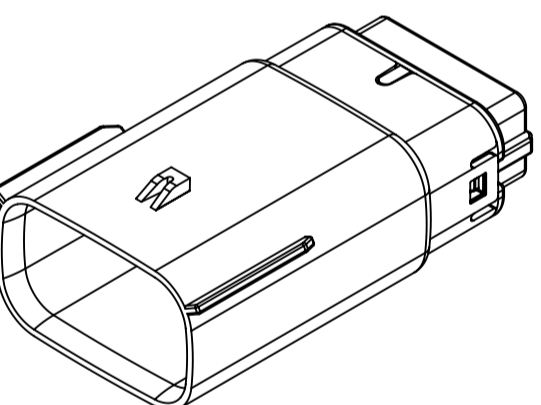
2X2



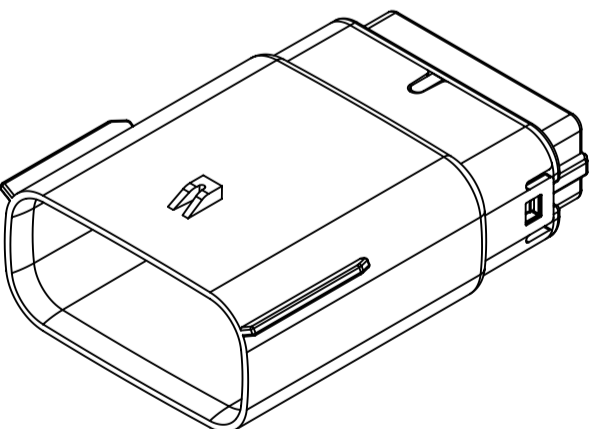
2X3



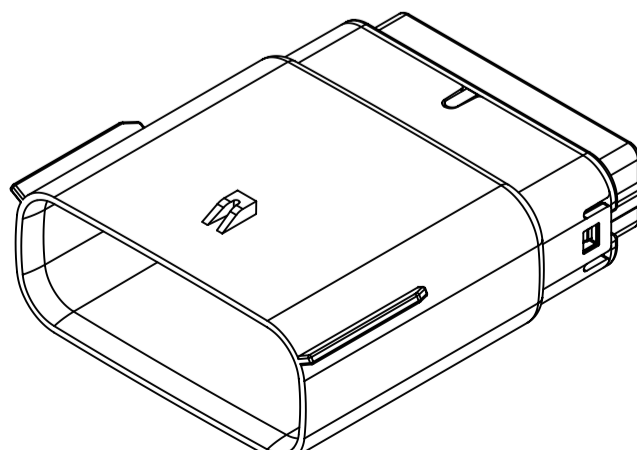
2X4



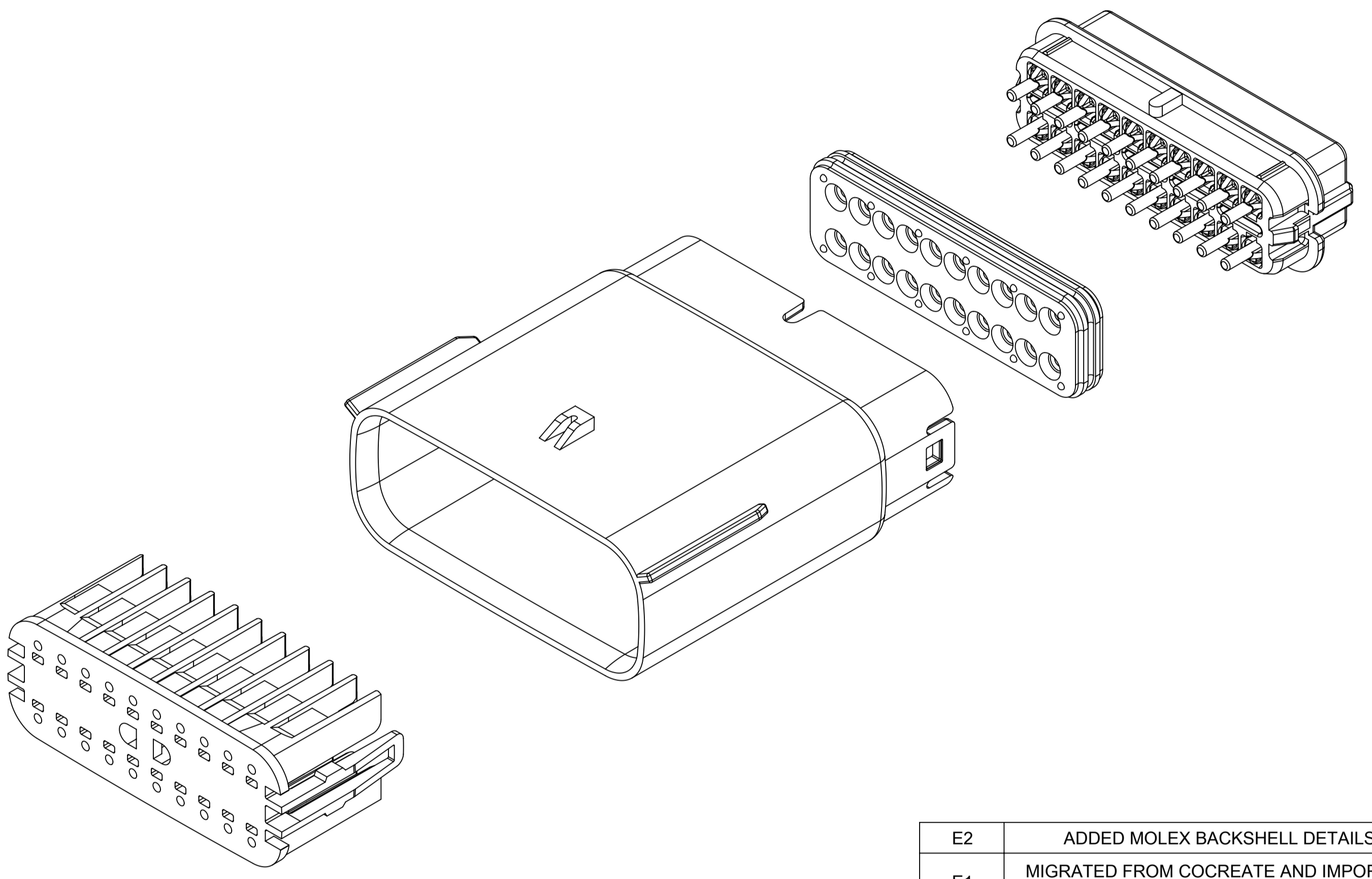
2X6



2X8



2X10

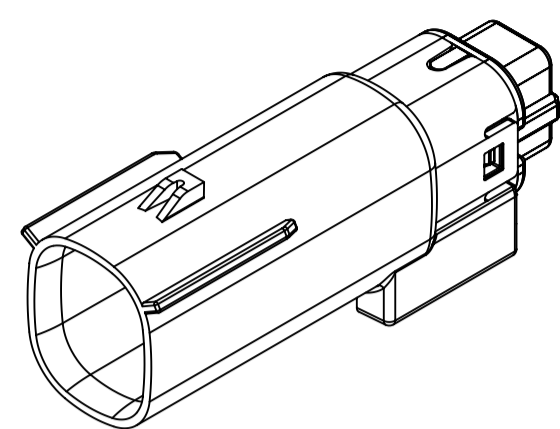


REV	REV DESCRIPTION
E2	ADDED MOLEX BACKSHELL DETAILS
E1	MIGRATED FROM COCREATE AND IMPORTED DXF FILES
E	ADDED CHARTED DIMENSIONS FOR 2X2, 2X4, 2X6 AND 2X8 WITH CLIPSLLOT
D	MINOR GEOMETRY CHANGE FOR UL V0
C3	ADD 2X4
C2	ADD 2X3
C1	ADD UL V0 CONFIGURATIONS
C	ADD 2X8
B1	ADD 2X6 BACKSHELL INFO
B	ADD 2X6
A	INITIAL RELEASE
REV	REV DESCRIPTION

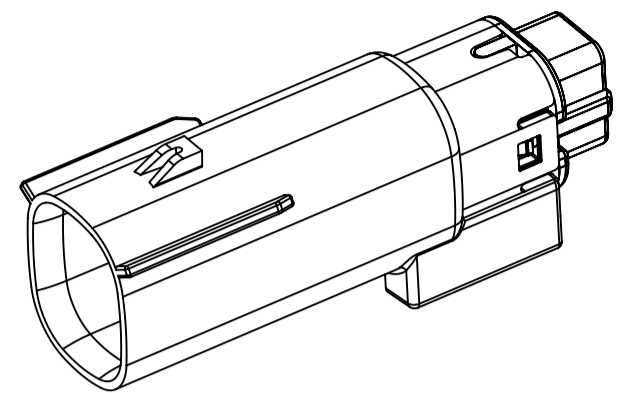
INSPECTION NUMBER LOG	
LAST NUMBER:	9
ADDED:	
REMOVED:	

SYMBOLS = 0 mm = 0 GENERAL TOLERANCES (UNLESS SPECIFIED) = 0 ANGULAR TOL ± 1.0° = 0 4 PLACES ± = 0 3 PLACES ± = 0 2 PLACES ± 0.1 = 0 1 PLACE ± 0.2 = 0 0 PLACES ± = 0 DRAFT WHERE APPLICABLE MUST REMAIN WITHIN DIMENSIONS	THIS DRAWING CONTAINS INFORMATION THAT IS PROPRIETARY TO MOLEX ELECTRONIC TECHNOLOGIES, LLC AND SHOULD NOT BE USED WITHOUT WRITTEN PERMISSION DIMENSION UNITS: mm SCALE: 1.5:1 CURRENT REV DESC: EC NO: 171650 DRWN: PMANJUNATHAC 2018/01/03 CHK'D: MVANSLAMBROU 2018/02/16 APPR: MVANSLAMBROU 2018/02/16 INITIAL REVISION: DRWN: APROFFITT 2014/04/28 APPR: VKOSHY 2014/05/14	 MX150 BLADE DUAL ROW SEALED ASSEMBLY MAT SEAL PRODUCT CUSTOMER DRAWING
	DOCUMENT NUMBER: SD-33482-0001 DOC TYPE: PSD DOC PART: 001 REVISION: E2	
	MATERIAL NUMBER: GENERAL MARKET CUSTOMER:	
	SHEET NUMBER: 1 OF 11	

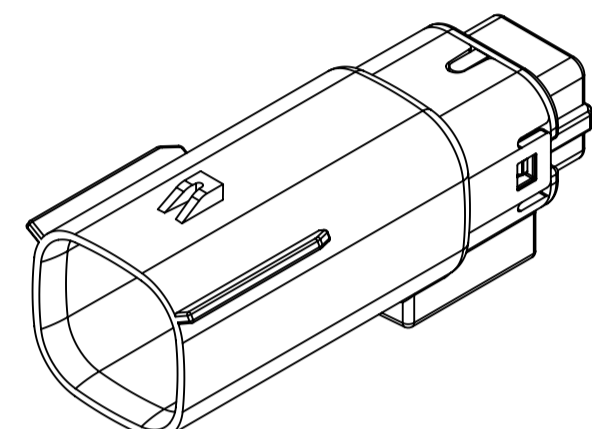
SHEET DESCRIPTION
CONFIGURATIONS



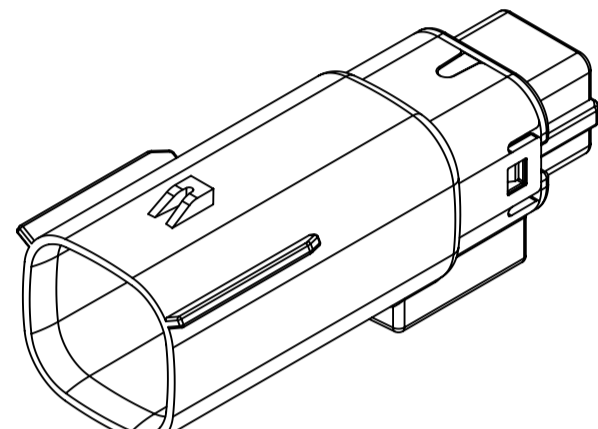
2X2 - STANDARD (STD)



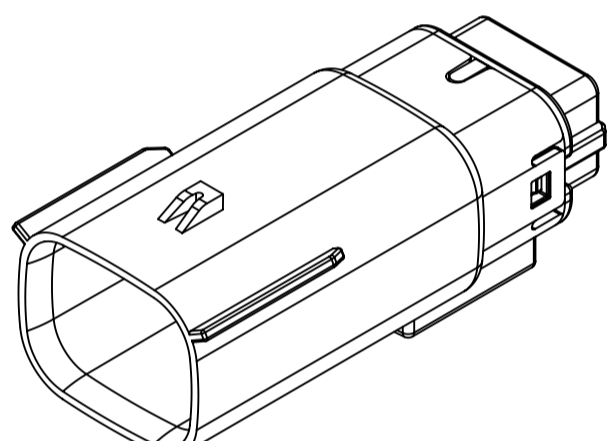
2X2 - UL V0*



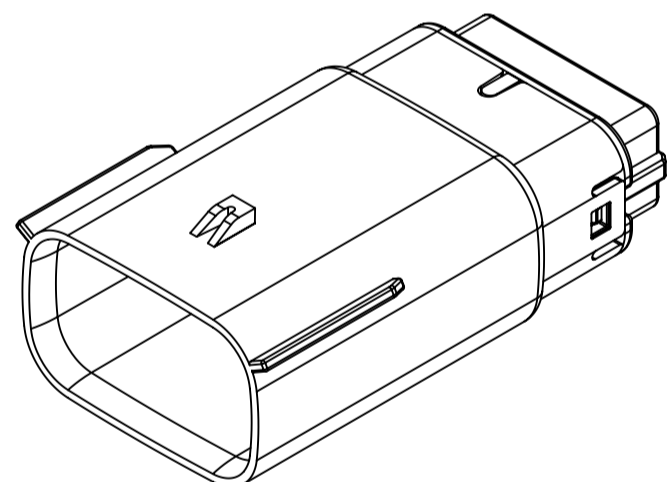
2X3 - STANDARD (STD)



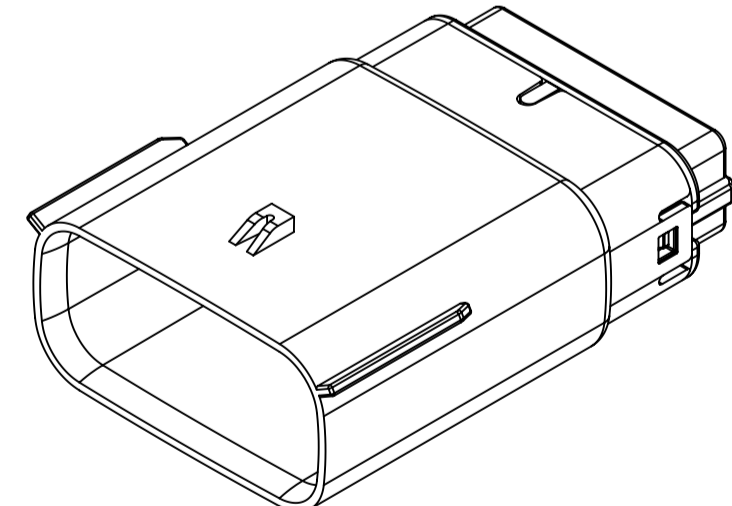
2X3 - LENGTHENED



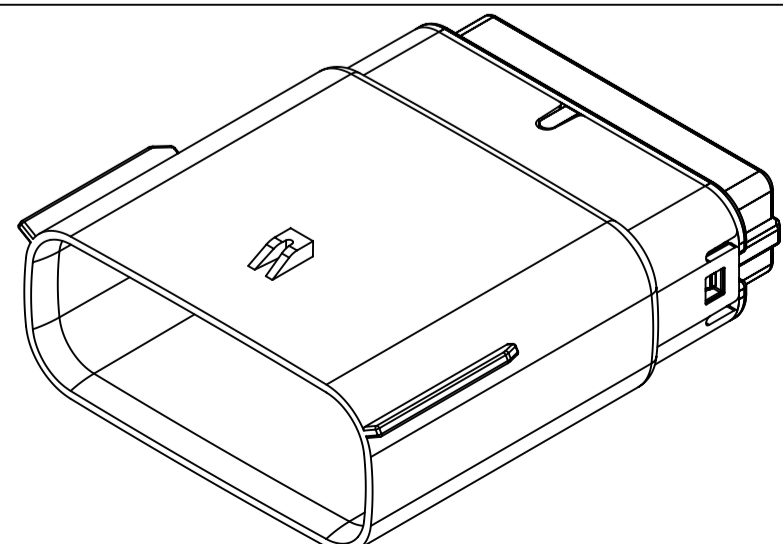
2X4 - STANDARD (STD)



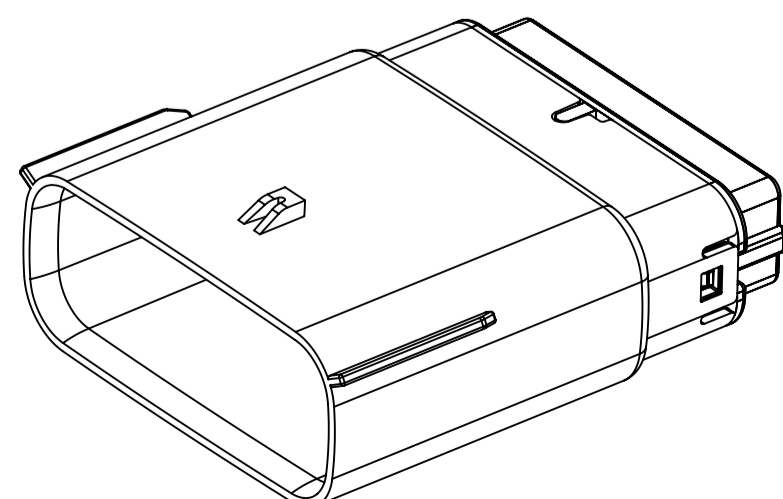
2X6 - STANDARD (STD)



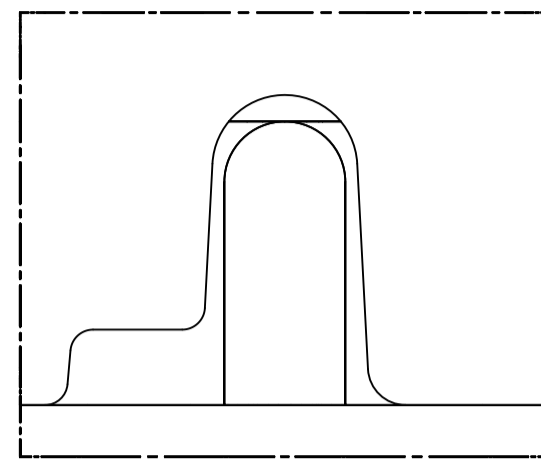
2X8 - STANDARD (STD)



2X10 - STANDARD (STD)



2X10 - UL V0*



UL V0 UNIQUE FEATURE

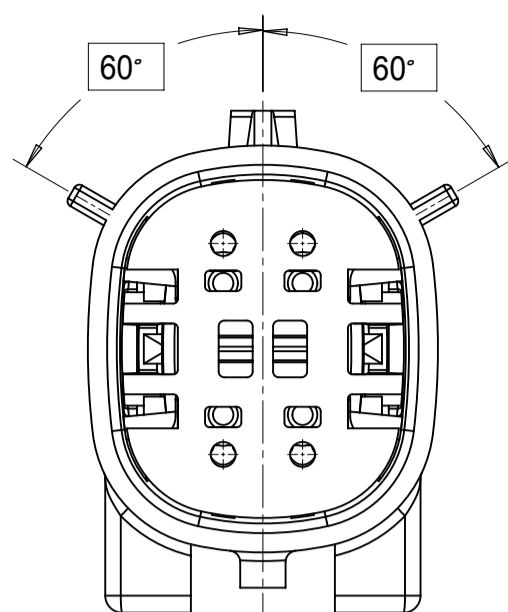
Partial1
SCALE 10:1

* MINOR GEOMETRY CHANGE THAN STANDARD CONFIGURATION.
SEE NOTE 2a FOR MORE INFORMATION

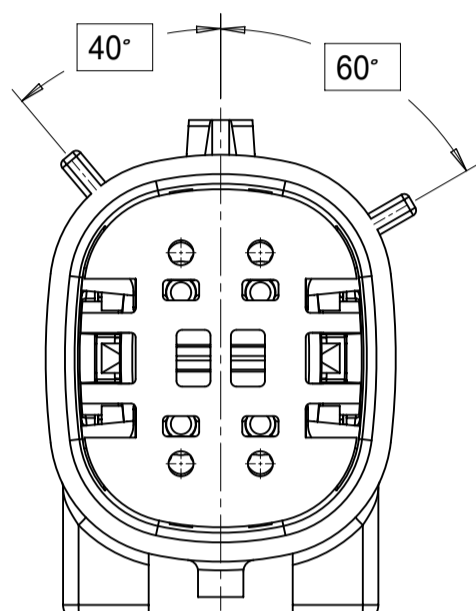
SYMBOLS = 0 = 0 = 0 = 0 = 0 = 0 = 0 = 0 = 0 = 0	THIS DRAWING CONTAINS INFORMATION THAT IS PROPRIETARY TO MOLEX ELECTRONIC TECHNOLOGIES, LLC AND SHOULD NOT BE USED WITHOUT WRITTEN PERMISSION		CURRENT REV DESC:		 MX150 BLADE DUAL ROW SEALED ASSEMBLY MAT SEAL					
	DIMENSION UNITS	SCALE	EC NO: 171650					DOCUMENT NUMBER	DOC TYPE	DOC PART
	mm	1.5:1	DRWN: PMANJUNATHAC 2018/01/03					SD-33482-0001	PSD	001
	GENERAL TOLERANCES (UNLESS SPECIFIED)		CHK'D: MVANSLAMBROU 2018/02/16		PRODUCT CUSTOMER DRAWING					
	ANGULAR TOL ± 1.0°		APPR: MVANSLAMBROU 2018/02/16		REVISION					
	4 PLACES ±		INITIAL REVISION:		REVISION					
	3 PLACES ±		DRWN: APROFFITT 2014/04/28		REVISION					
	2 PLACES ± 0.1		APPR: VKOSHY 2014/05/14		REVISION					
	1 PLACE ± 0.2		THIRD ANGLE PROJECTION		MATERIAL NUMBER					
	0 PLACES ±		DRAWING		CUSTOMER					
DRAFT WHERE APPLICABLE MUST REMAIN WITHIN DIMENSIONS		SERIES		SHEET NUMBER						
		A1-SIZE		2 OF 11						

SHEET DESCRIPTION
KEY CONFIGURATIONS

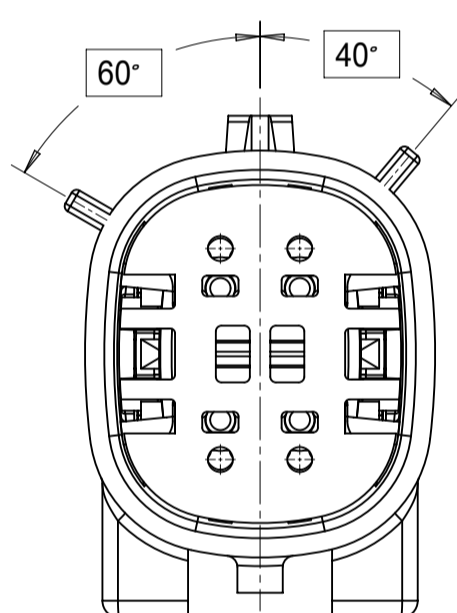
2X2



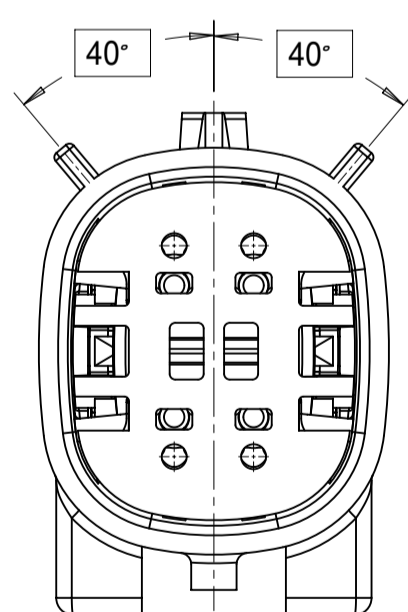
KEY A



KEY B

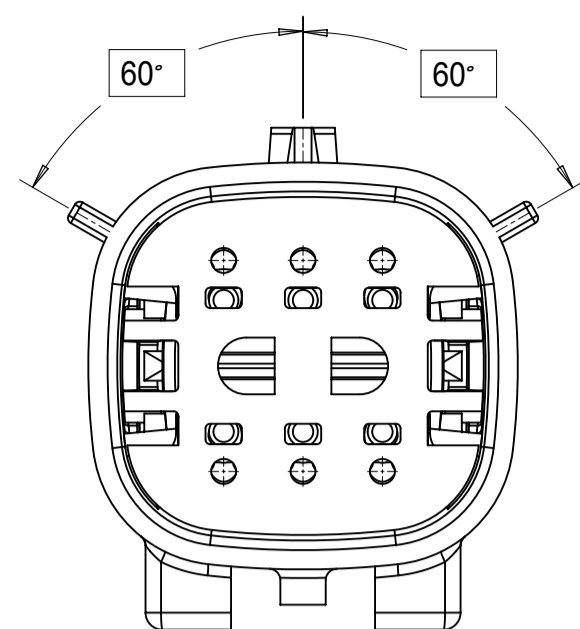


KEY C

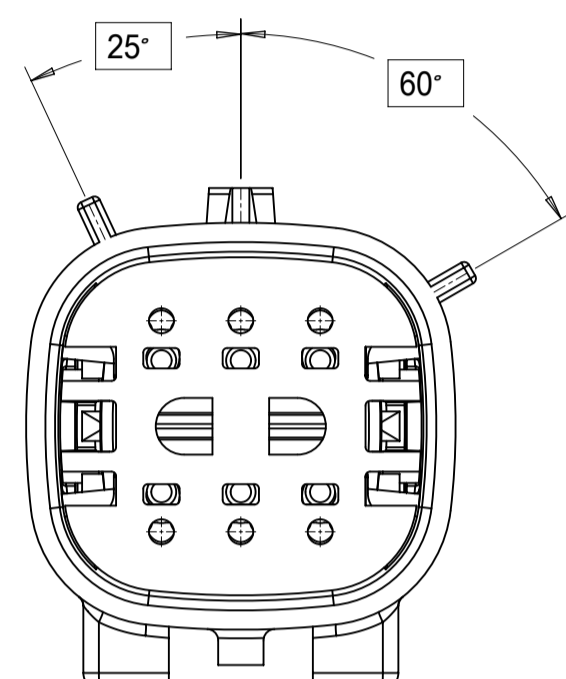


KEY D

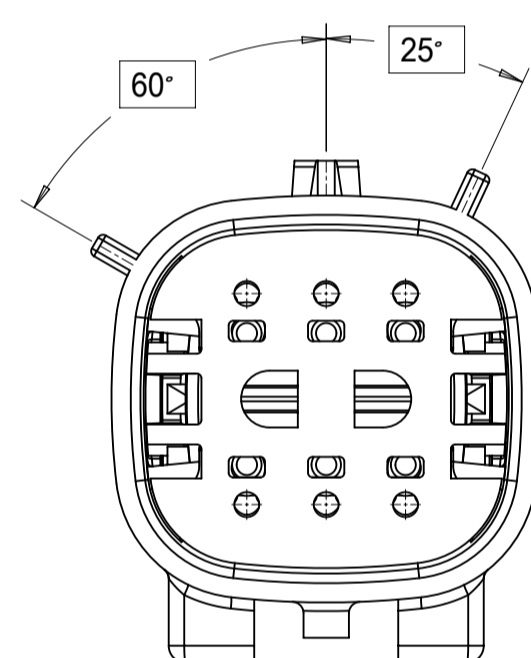
2X3



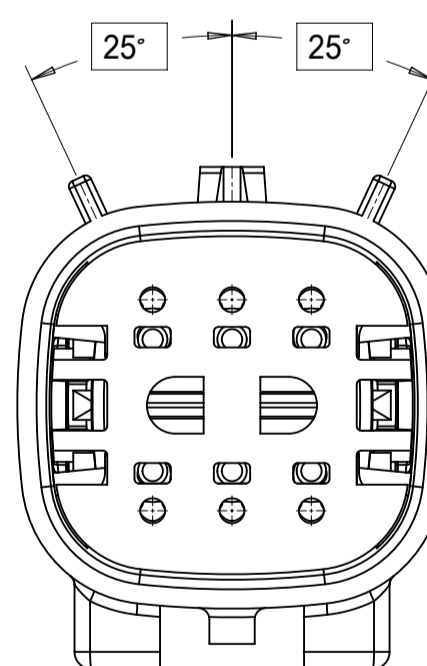
KEY A



KEY B

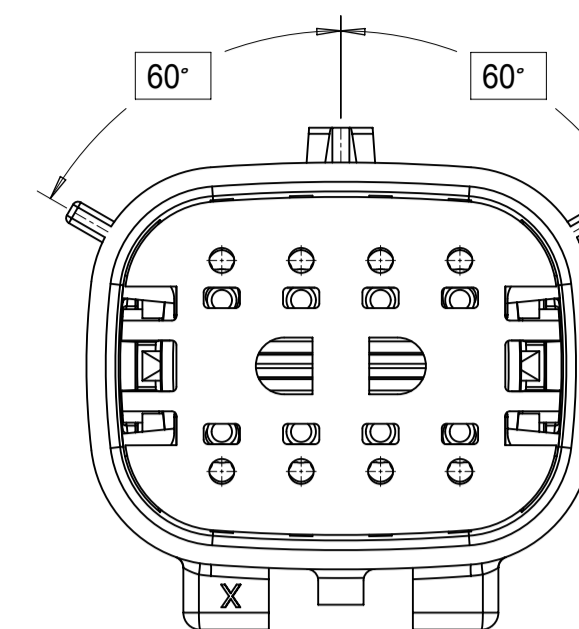


KEY C

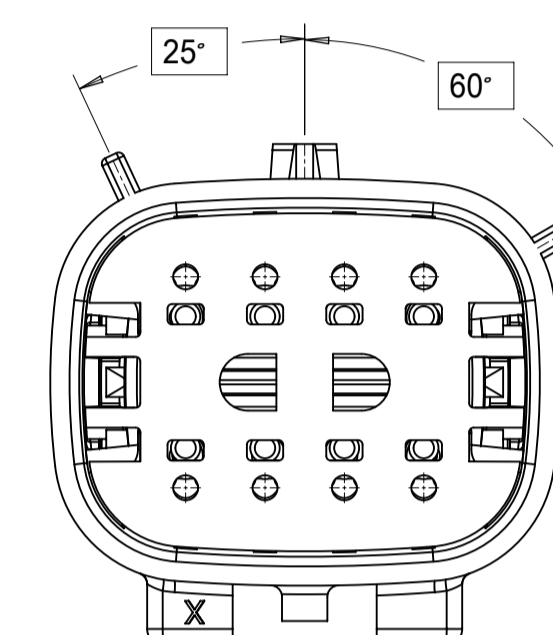


KEY D

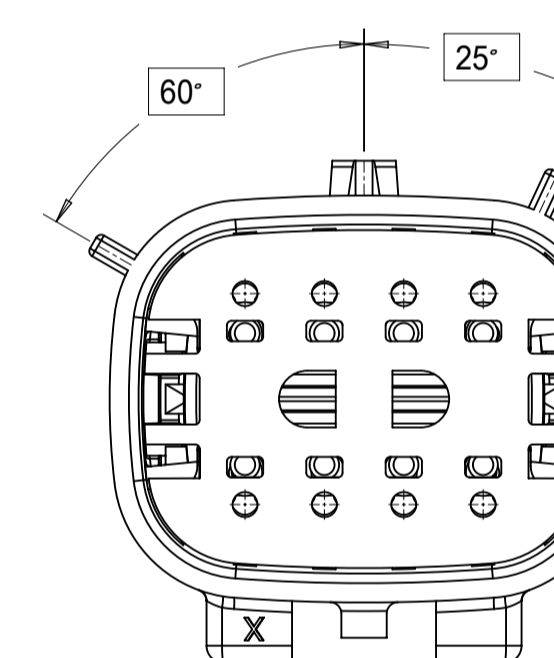
2X4



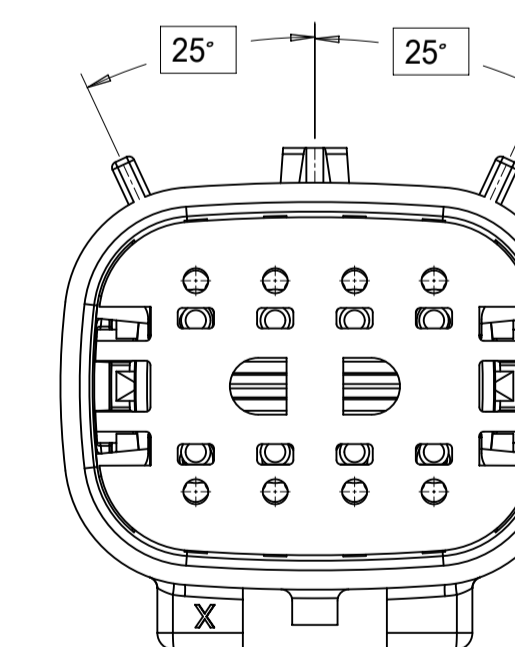
KEY A



KEY B



KEY C

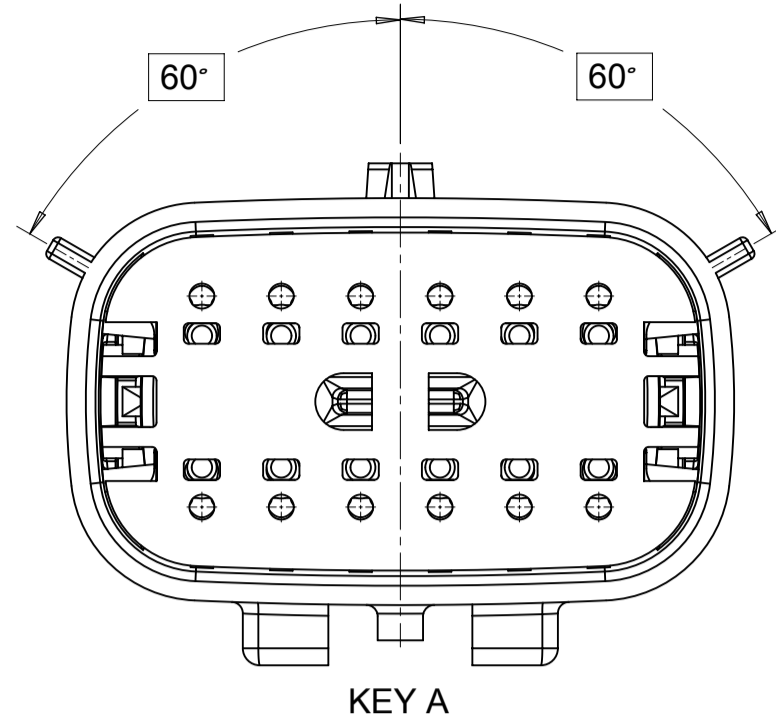


KEY D

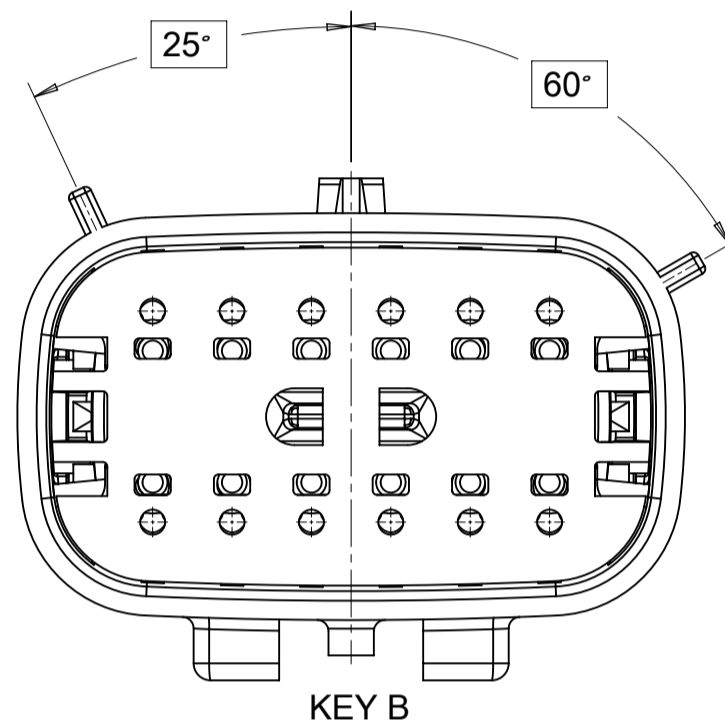
SYMBOLS = 0 = 0 = 0 = 0 = 0 = 0 = 0 = 0 = 0 = 0	THIS DRAWING CONTAINS INFORMATION THAT IS PROPRIETARY TO MOLEX ELECTRONIC TECHNOLOGIES, LLC AND SHOULD NOT BE USED WITHOUT WRITTEN PERMISSION DIMENSION UNITS: mm SCALE: 3:1	CURRENT REV DESC: EC NO: 171650 DRWN: PMANJUNATHAC 2018/01/03 CHK'D: MVANSLAMBROU 2018/02/16 APPR: MVANSLAMBROU 2018/02/16	 MX150 BLADE DUAL ROW SEALED ASSEMBLY MAT SEAL		
	GENERAL TOLERANCES (UNLESS SPECIFIED) ANGULAR TOL ± 1.0° 4 PLACES ± 3 PLACES ± 2 PLACES ± 0.1 1 PLACE ± 0.2 0 PLACES ±	INITIAL REVISION: DRWN: APROFFITT 2014/04/28 2014/05/14 APPR: VKOSHY			
DRAFT WHERE APPLICABLE MUST REMAIN WITHIN DIMENSIONS 	THIRD ANGLE PROJECTION DRAWING: A1-SIZE SERIES: 33482	MATERIAL NUMBER: _____ CUSTOMER: GENERAL MARKET SHEET NUMBER: 3 OF 11			

SHEET DESCRIPTION
KEY CONFIGURATIONS CONT.

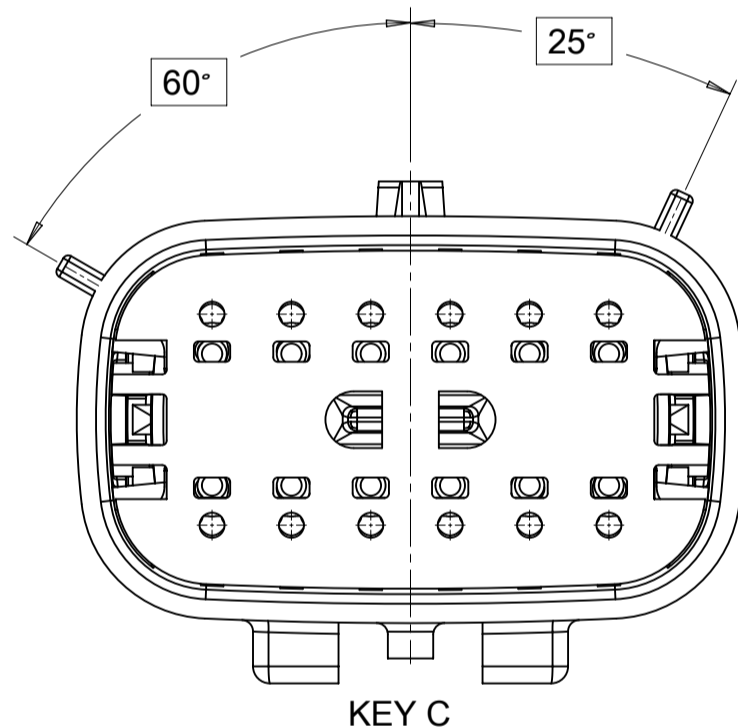
2X6



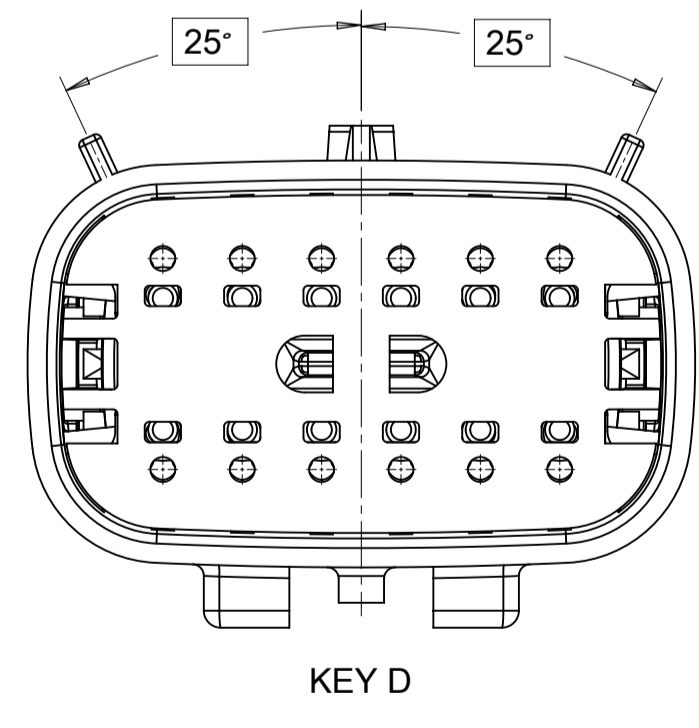
KEY A



KEY B

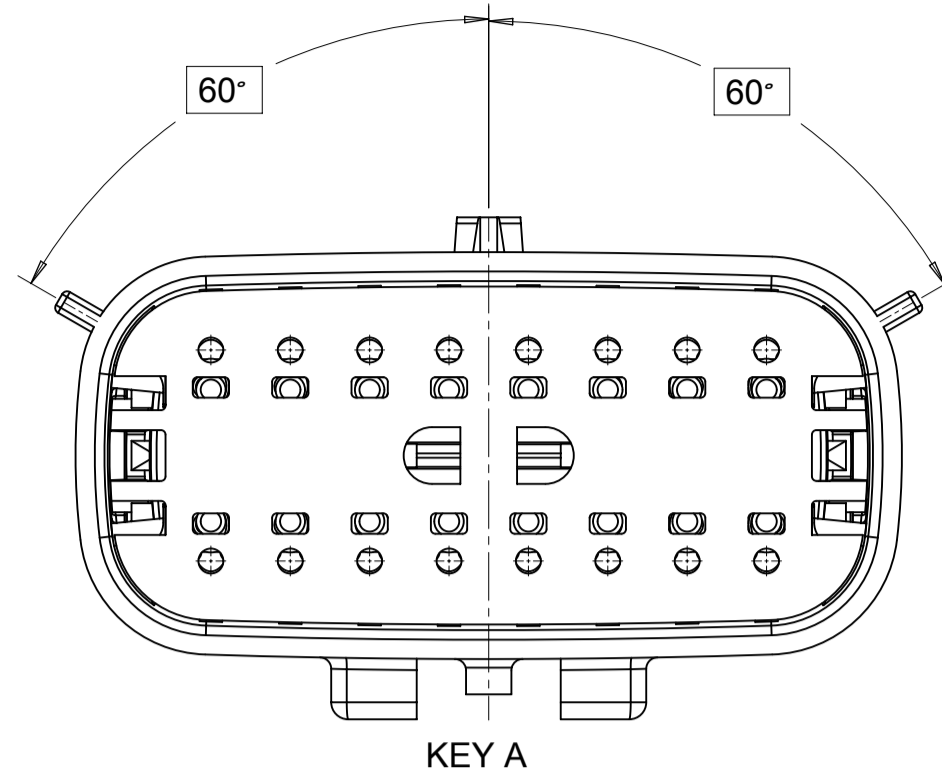


KEY C

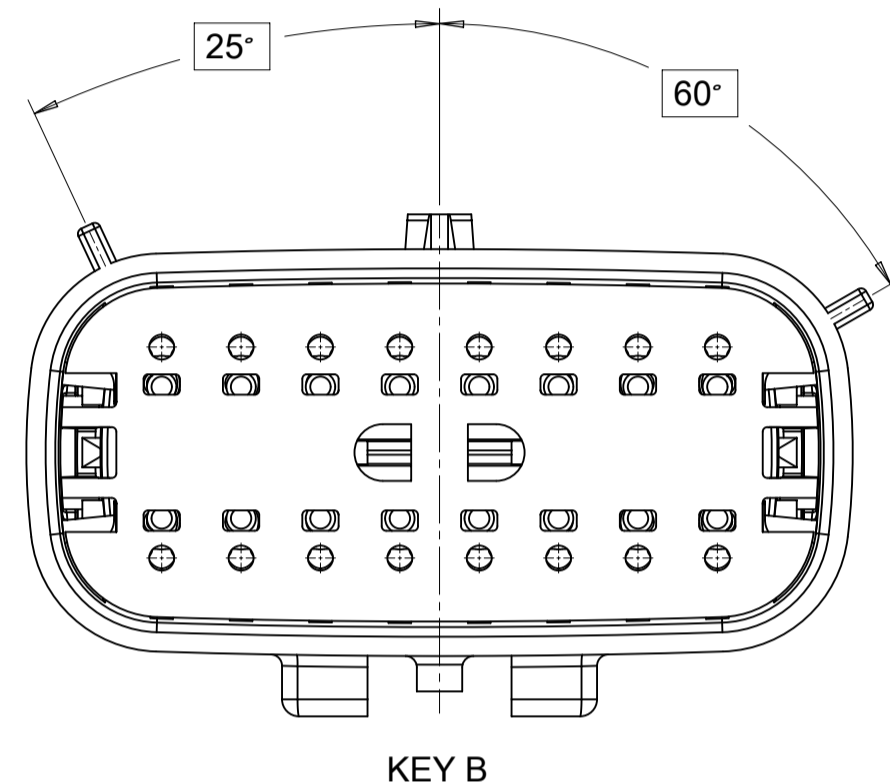


KEY D

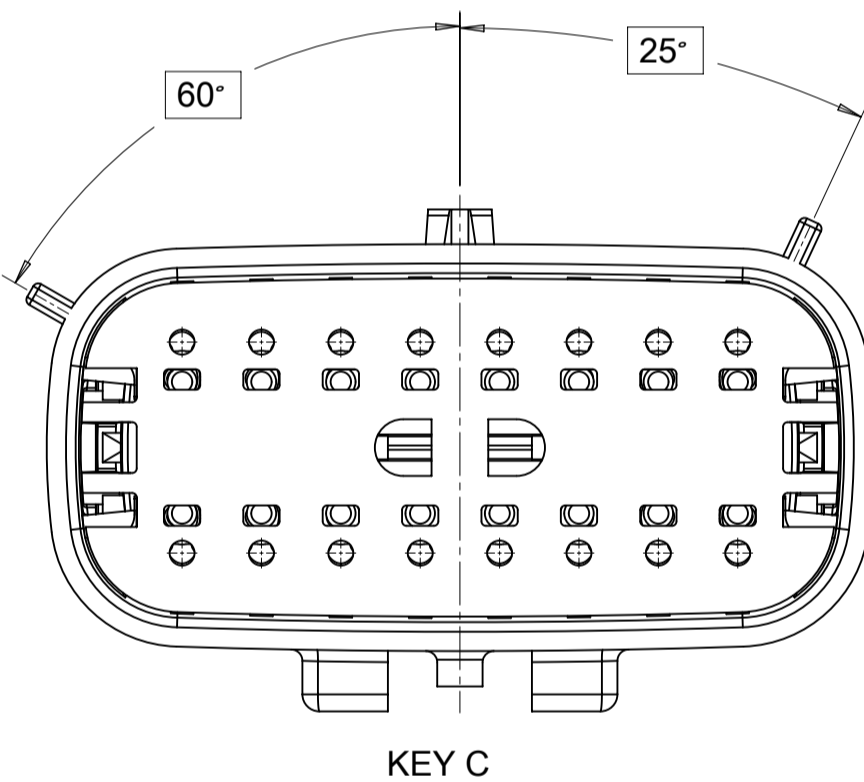
2X8



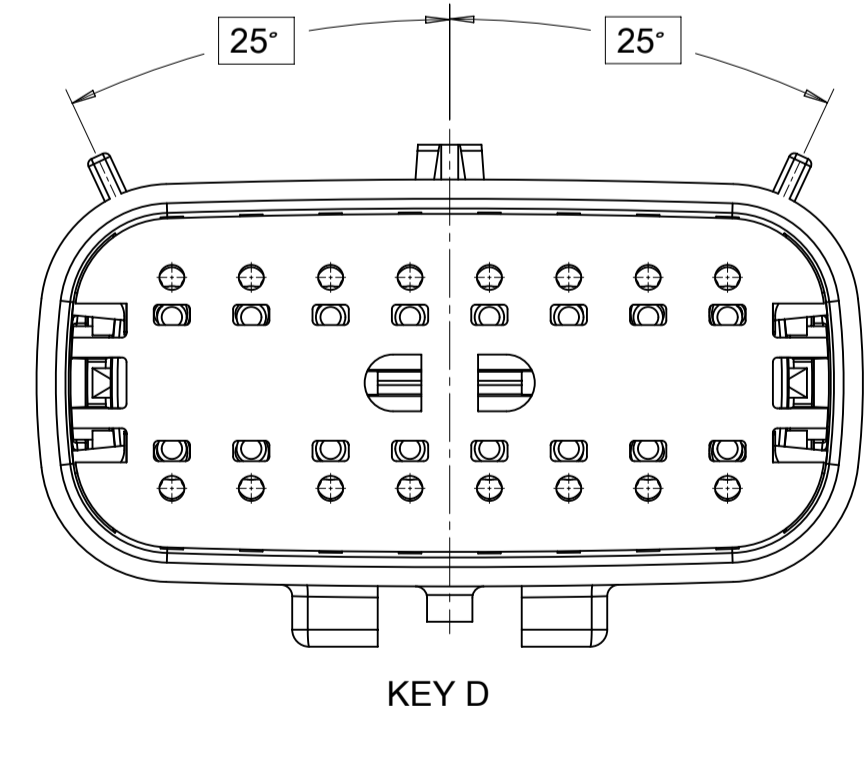
KEY A



KEY B

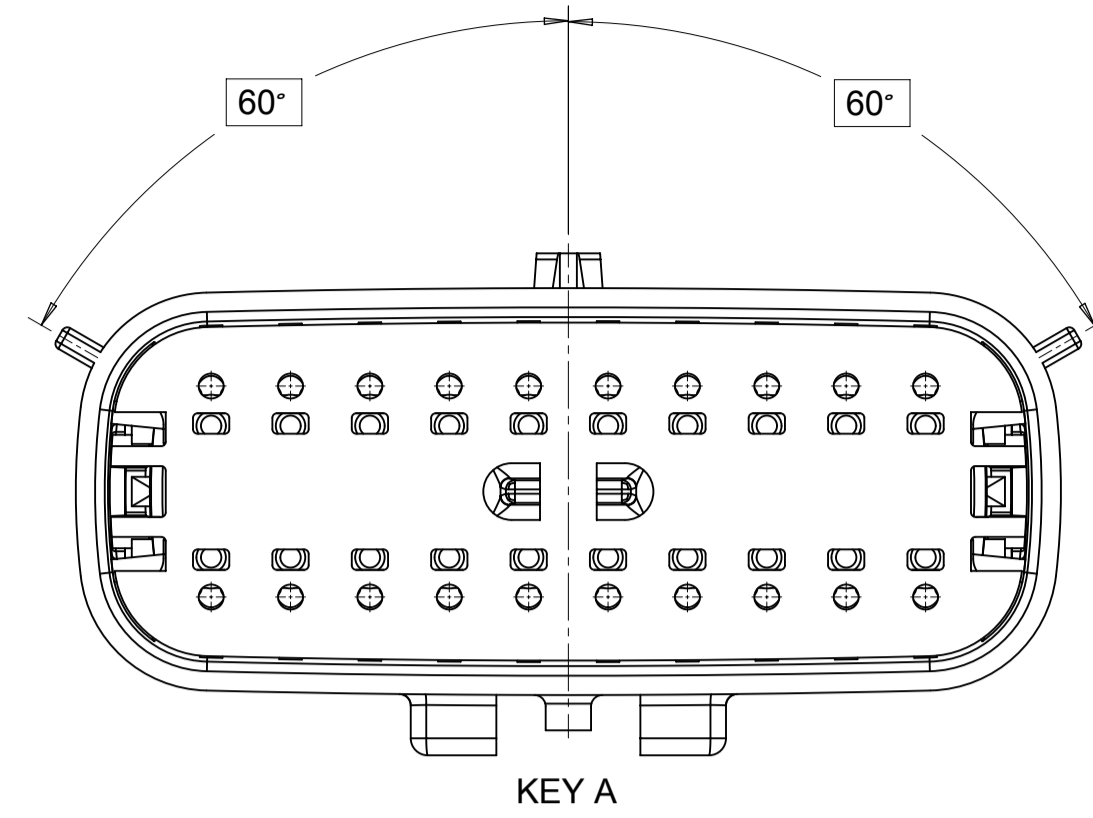


KEY C

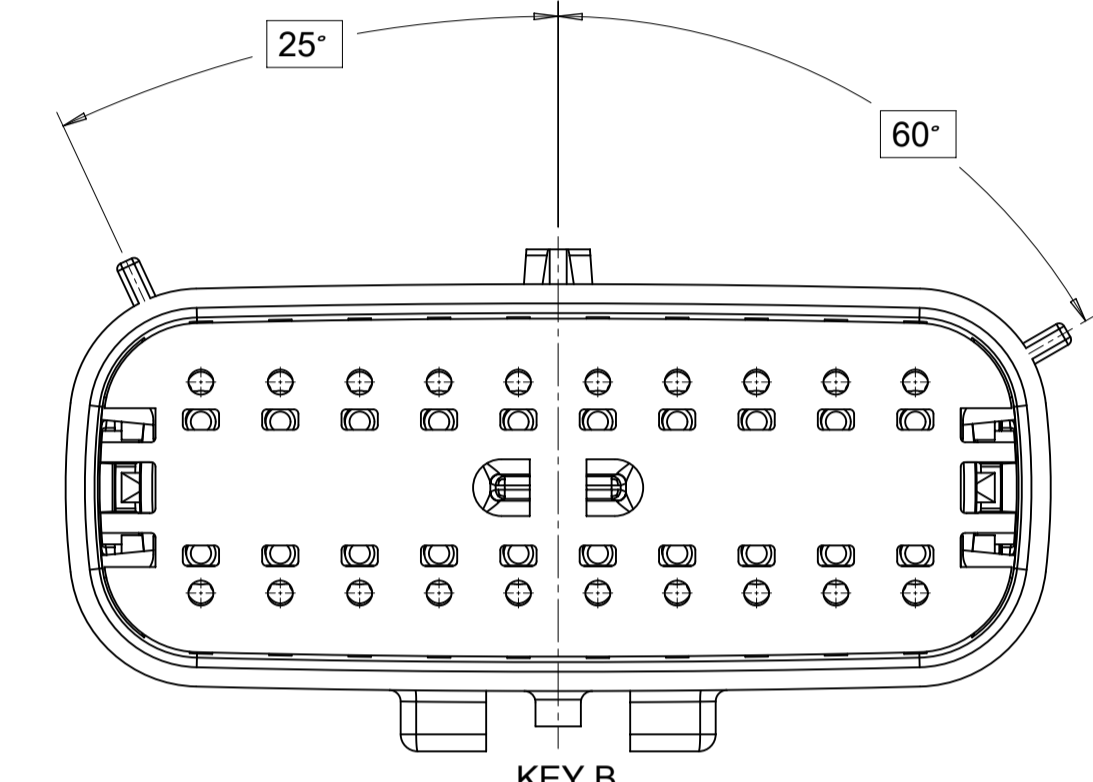


KEY D

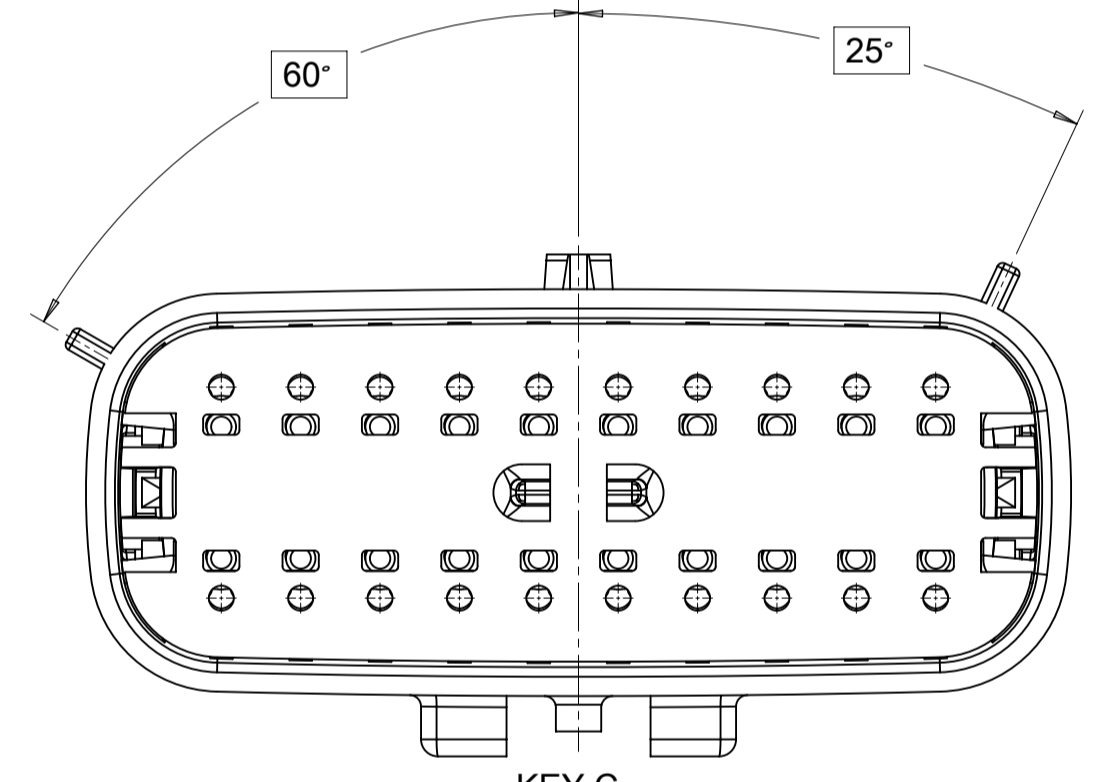
2X10



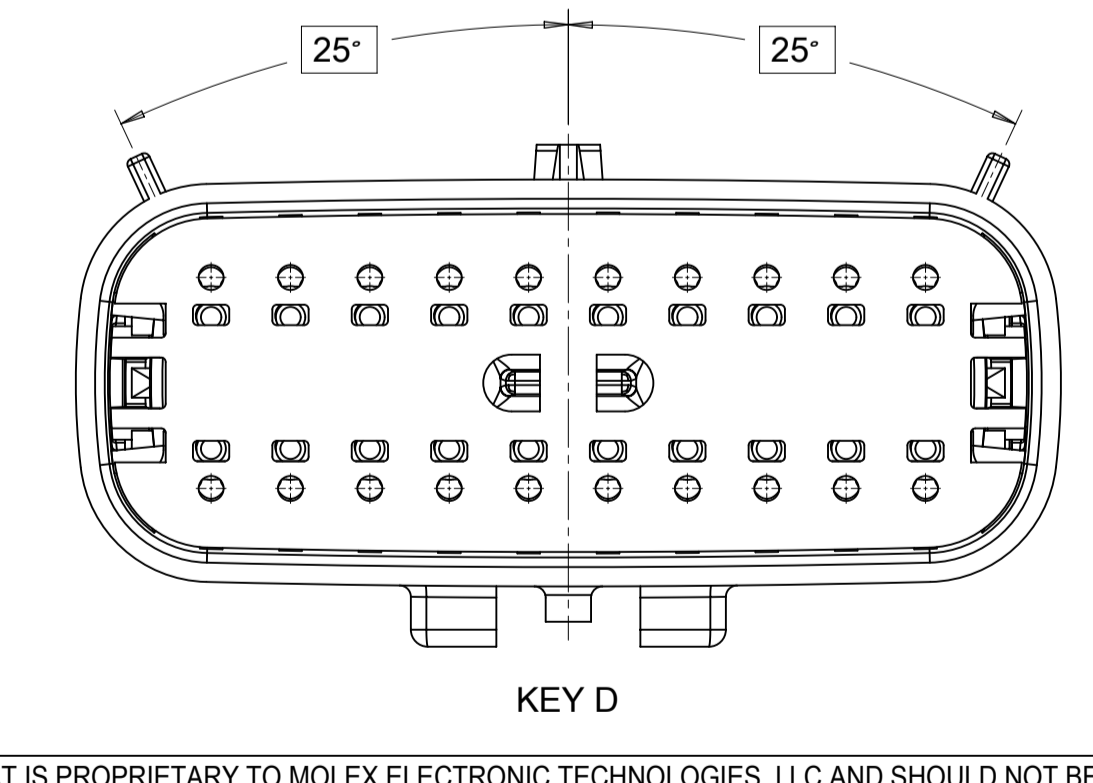
KEY A



KEY B



KEY C

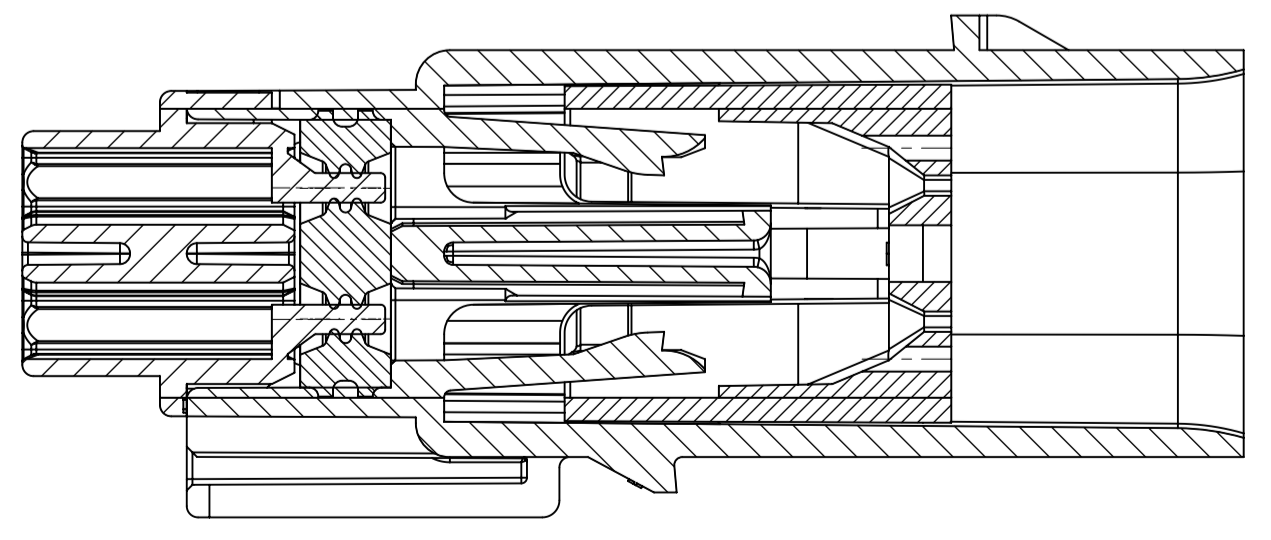
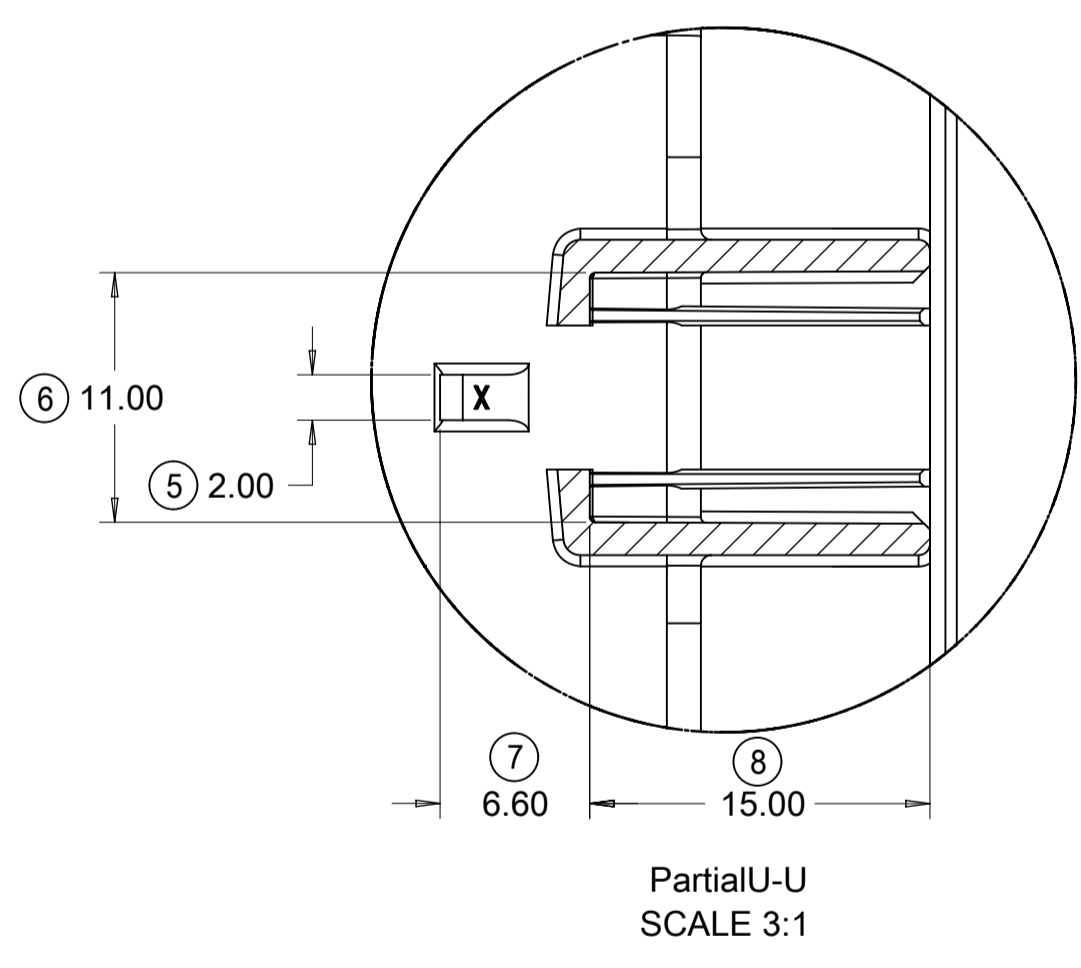
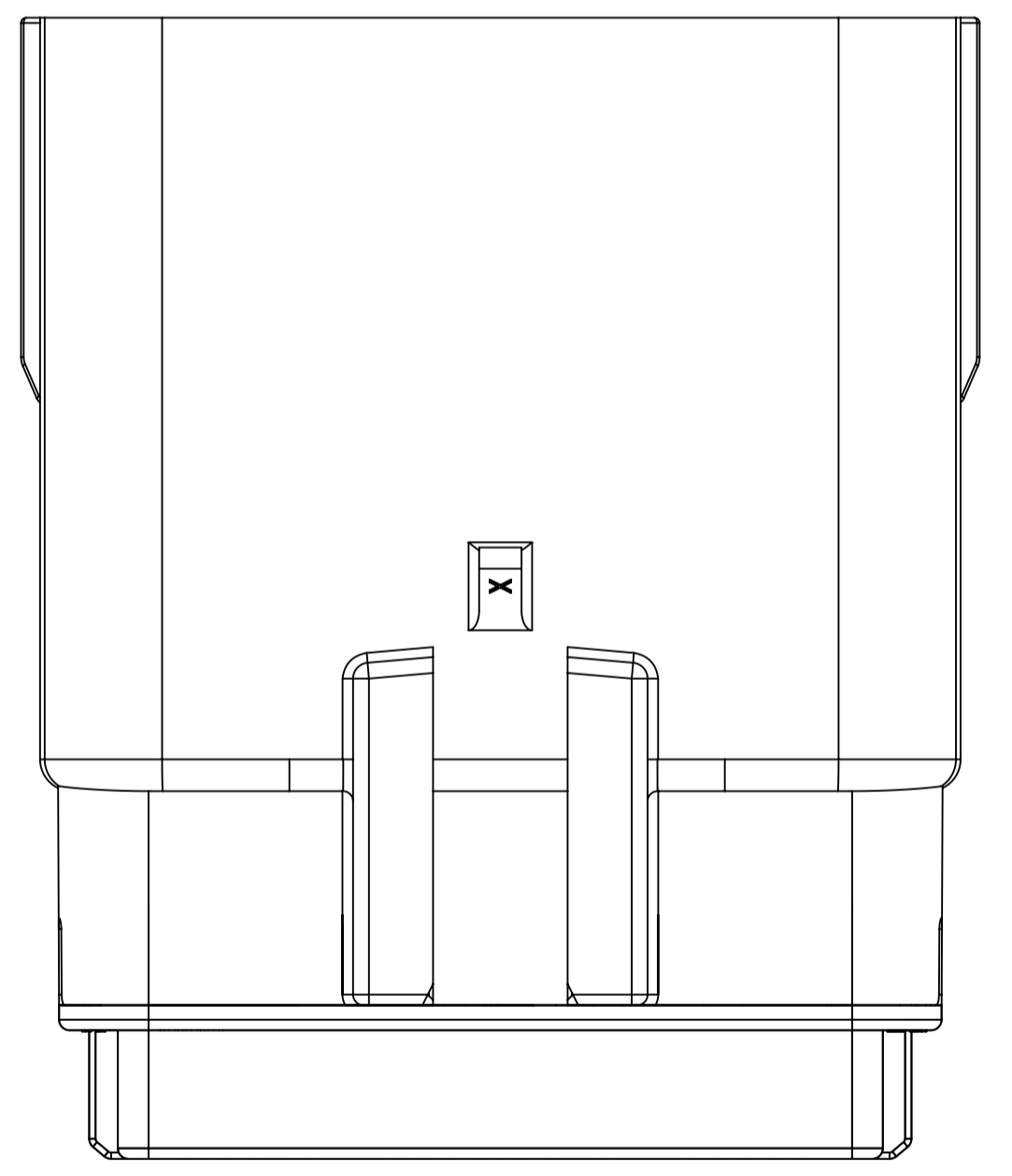
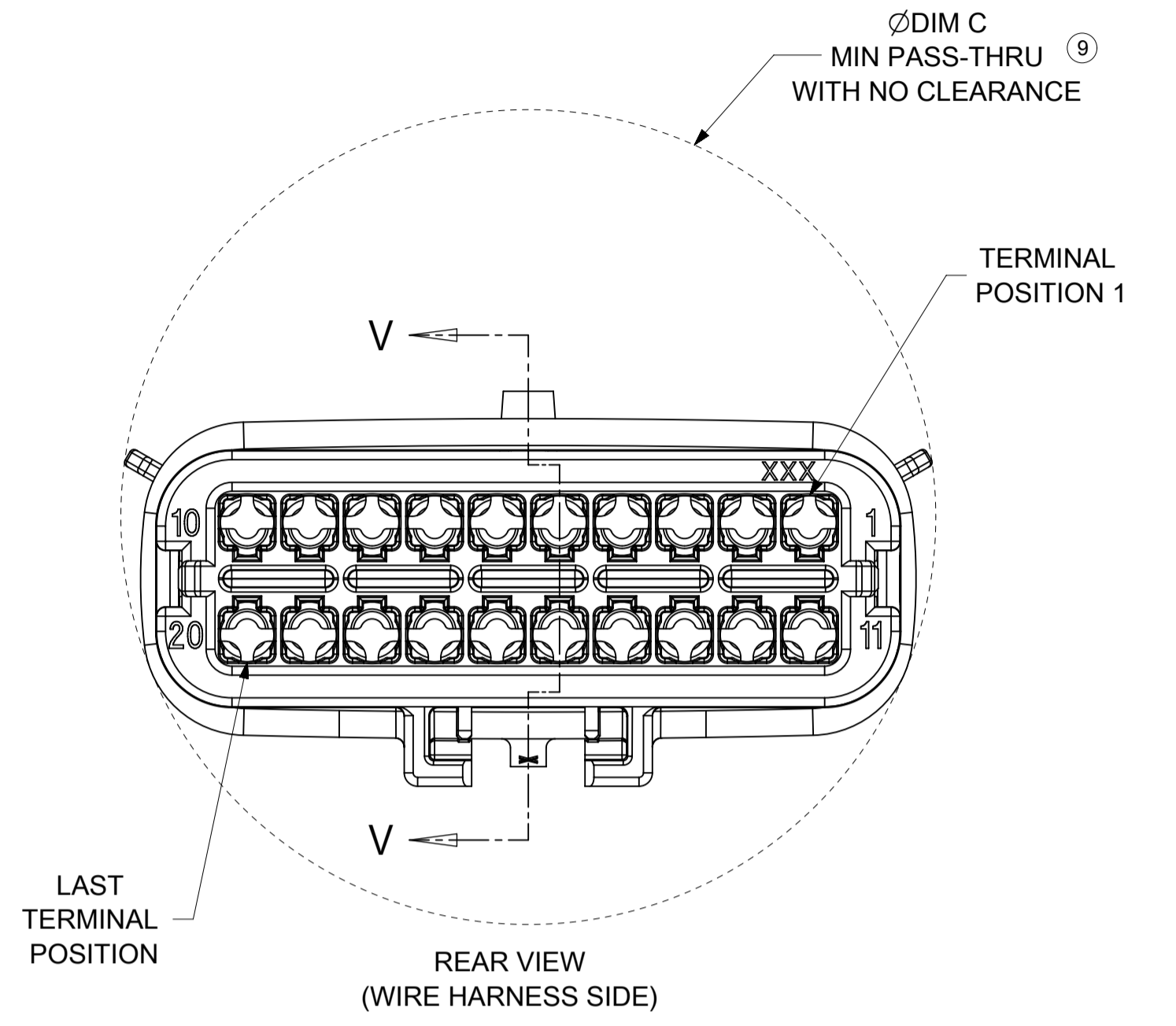
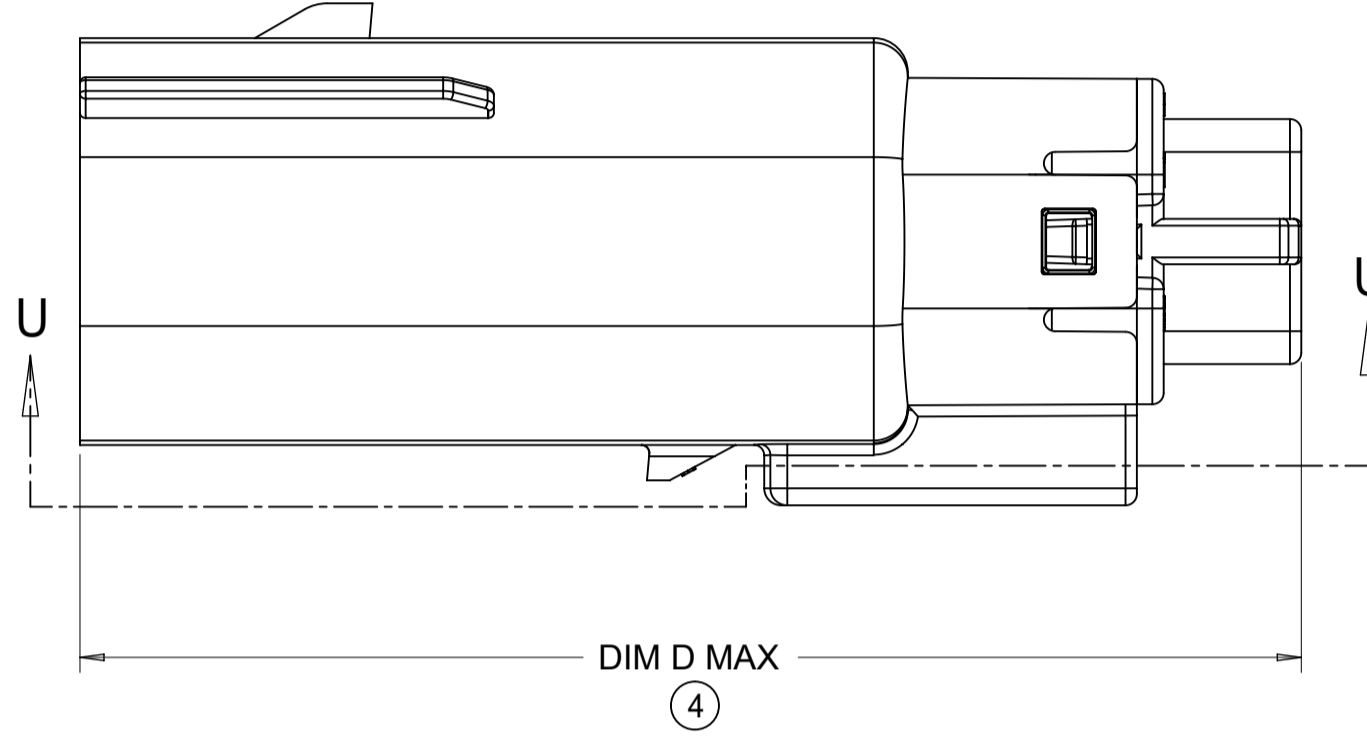
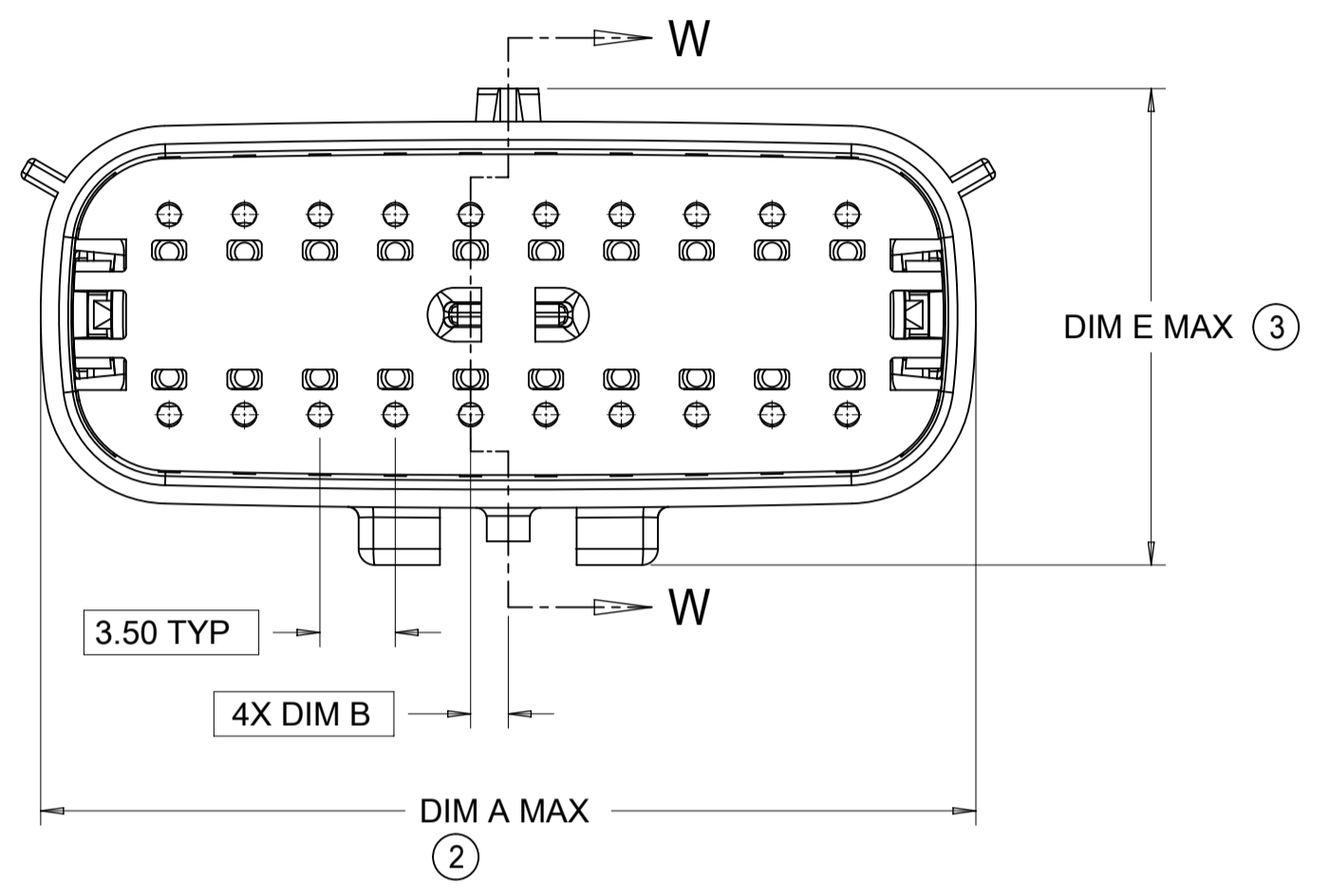
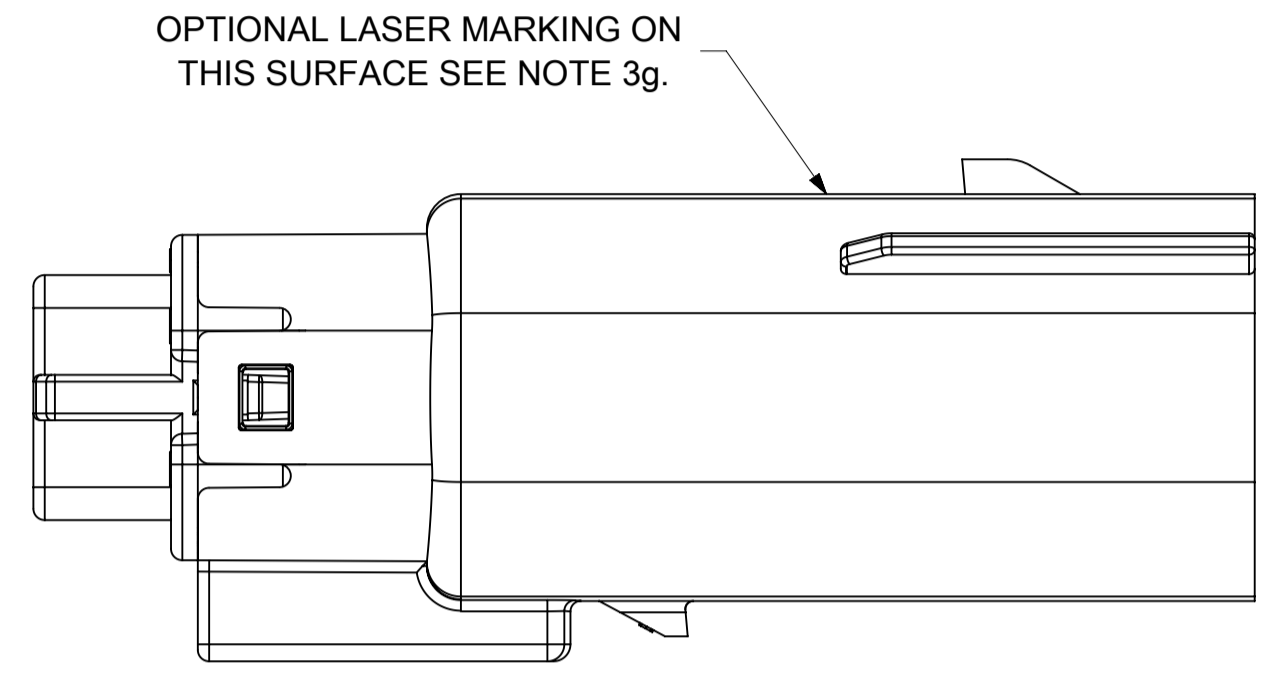


KEY D

SYMBOLS = 0 = 0 = 0 = 0 = 0 = 0 = 0 = 0 = 0 = 0	THIS DRAWING CONTAINS INFORMATION THAT IS PROPRIETARY TO MOLEX ELECTRONIC TECHNOLOGIES, LLC AND SHOULD NOT BE USED WITHOUT WRITTEN PERMISSION DIMENSION UNITS: mm SCALE: 3:1	CURRENT REV DESC: EC NO: 171650 DRWN: PMANJUNATHAC 2018/01/03 CHK'D: MVANSLAMBROU 2018/02/16 APPR: MVANSLAMBROU 2018/02/16			
	GENERAL TOLERANCES (UNLESS SPECIFIED) ANGULAR TOL ± 1.0° 4 PLACES ± 3 PLACES ± 2 PLACES ± 0.1 1 PLACE ± 0.2 0 PLACES ±	INITIAL REVISION: DRWN: APROFFITT 2014/04/28 APPR: VKOSHY 2014/05/14	PRODUCT CUSTOMER DRAWING DOCUMENT NUMBER: SD-33482-0001 DOC TYPE: PSD DOC PART: 001 REVISION: E2		
DRAFT WHERE APPLICABLE MUST REMAIN WITHIN DIMENSIONS	THIRD ANGLE PROJECTION 	DRAWING: A1-SIZE SERIES: 33482	MATERIAL NUMBER CUSTOMER: GENERAL MARKET	SHEET NUMBER 4 OF 11	

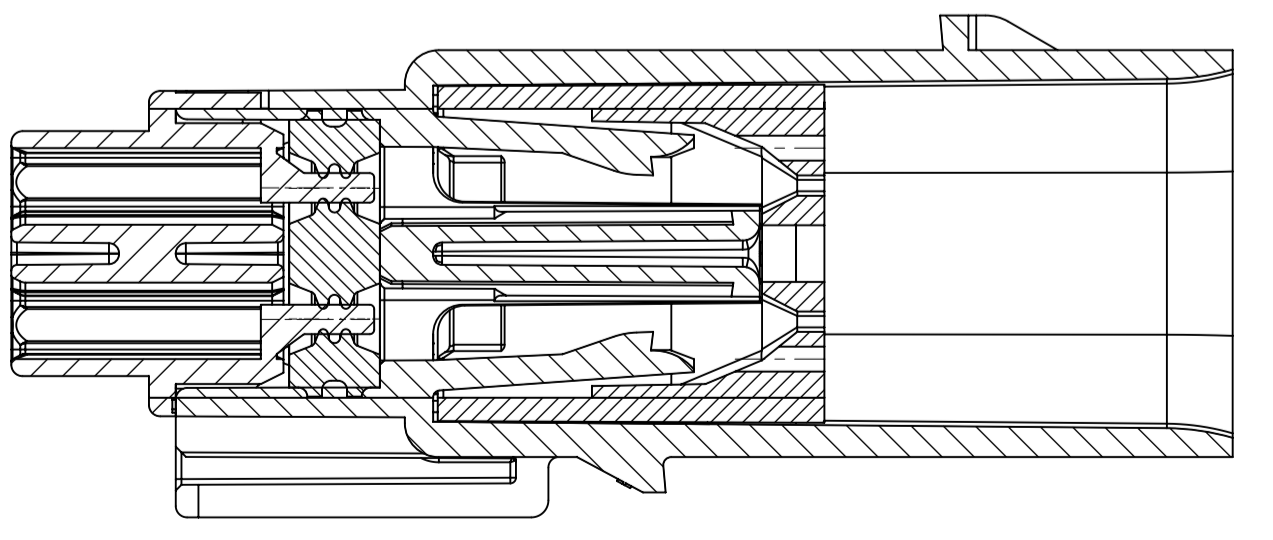
SHEET DESCRIPTION
BLADE SEALED ASSEMBLY

DESCRIPTION	DIMENSIONS				
	A	B	C	D	E
2X2	15.54	1.75	24.40	54.45	22.23
2X3 STANDARD	19.04	3.50	26.21	54.45	22.23
2X3 LENGTHENED	19.04	3.50	26.21	56.45	22.23
2X4	22.54	1.75	27.21	54.45	22.23
2X6	29.54	1.75	32.27	54.45	22.23
2X8	36.54	1.75	38.88	54.45	22.23
2X10	43.64	1.75	45.65	54.45	22.05



PRIMARY LOCK REINFORCEMENT (PLR) SHOWN IN PRE-STAGED POSITION

SECTION W-W



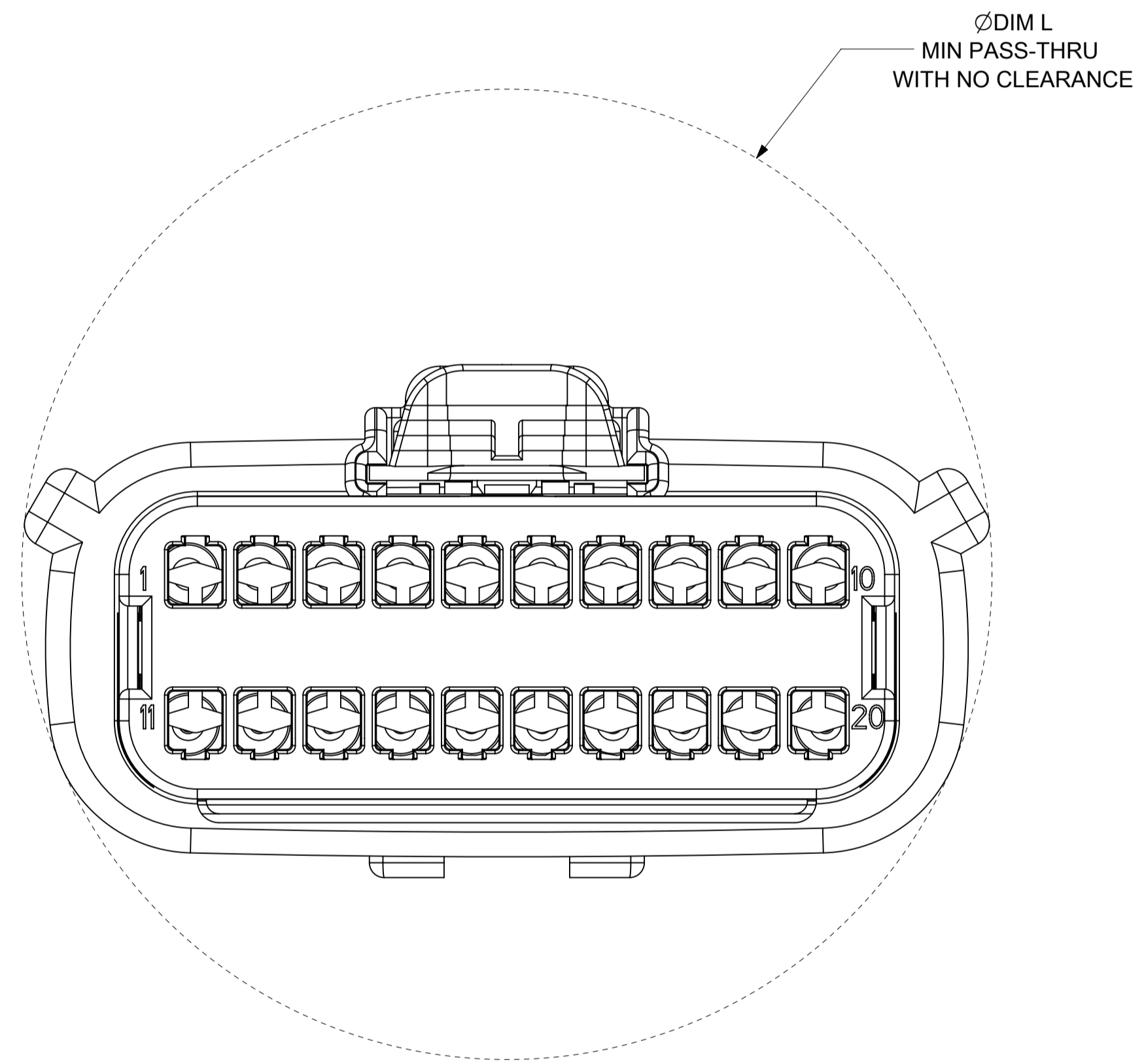
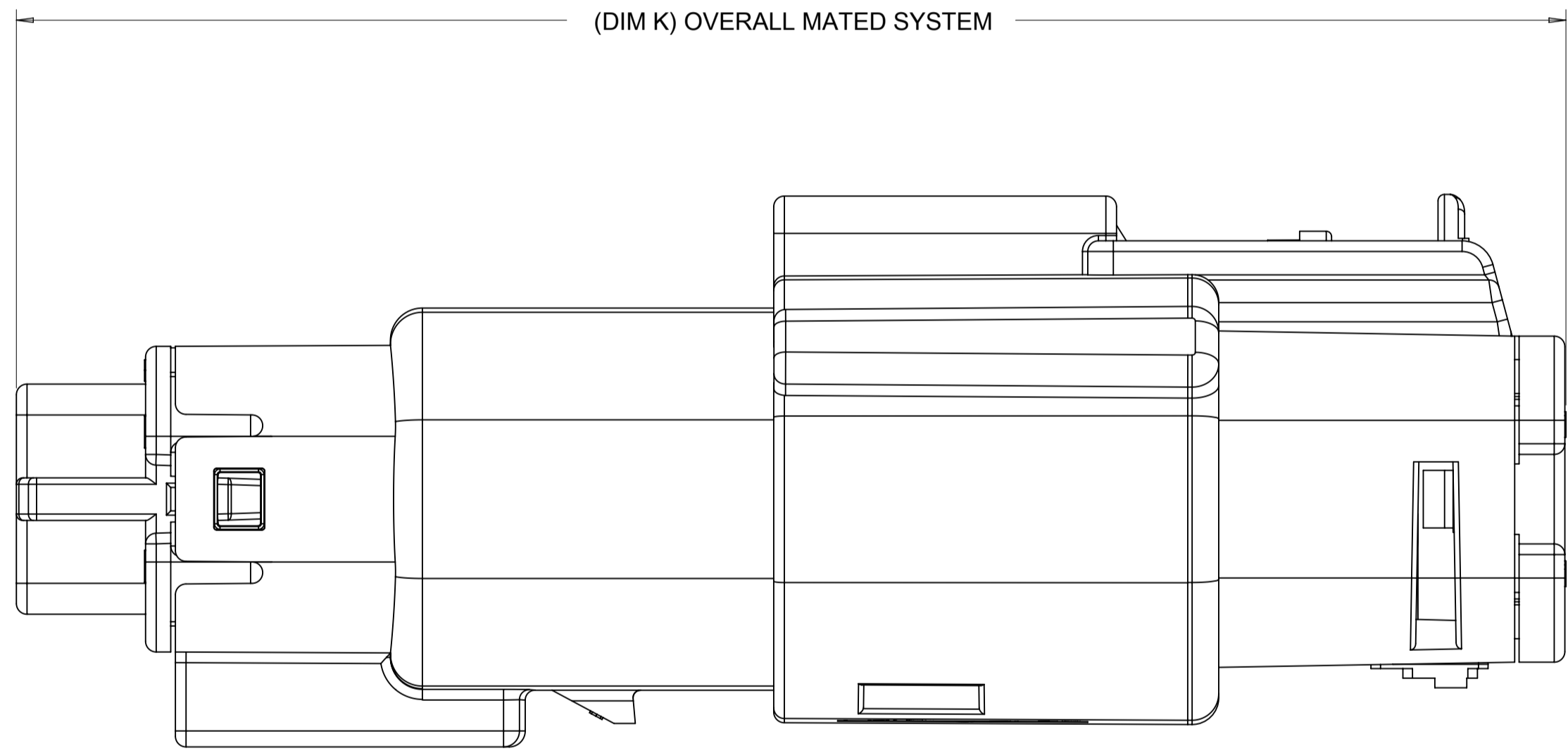
PRIMARY LOCK REINFORCEMENT (PLR) SHOWN IN FINAL-LOCK POSITION

SECTION V-V

SYMBOLS THIS DRAWING CONTAINS INFORMATION THAT IS PROPRIETARY TO MOLEX ELECTRONIC TECHNOLOGIES, LLC AND SHOULD NOT BE USED WITHOUT WRITTEN PERMISSION DIMENSION UNITS: mm SCALE: 3:1 GENERAL TOLERANCES (UNLESS SPECIFIED): ANGULAR TOL: ± 1.0° 4 PLACES: ± 3 PLACES: ± 2 PLACES: ± 0.1 1 PLACE: ± 0.2 0 PLACES: ± DRAFT WHERE APPLICABLE MUST REMAIN WITHIN DIMENSIONS	CURRENT REV DESC:		 MX150 BLADE DUAL ROW SEALED ASSEMBLY MAT SEAL PRODUCT CUSTOMER DRAWING	
	EC NO: 171650 DRWN: PMANJUNATHAC 2018/01/03 CHK'D: MVANSLAMBROU 2018/02/16 APPR: MVANSLAMBROU 2018/02/16			DOCUMENT NUMBER: SD-33482-0001 DOC TYPE: PSD DOC PART: 001 REVISION: E2
	INITIAL REVISION: DRWN: APROFFITT 2014/04/28 APPR: VKOSHY 2014/05/14			MATERIAL NUMBER: 33482 CUSTOMER: GENERAL MARKET
	THIRD ANGLE PROJECTION DRAWING: A1-SIZE SERIES: 33482			SHEET NUMBER: 5 OF 11

SHEET DESCRIPTION
SYSTEM PACKAGING

CHARTED DIMENSION				
CKT	BLADE CONFIGURATION	RECEPTACLE CONFIGURATION	DIMENSIONS	
			K	L
2X2	STANDARD	W/O CLIPSLOT	72.78	28.00
		W/ CLIPSLOT	72.78	28.50
		LENGTHENED	77.21	28.00
2X3	STANDARD	W/O CLIPSLOT	72.78	28.00
		W/ CLIPSLOT		30.50
	LENGTHENED	W/O CLIPSLOT	74.79	28.00
		W/ CLIPSLOT		30.50
2X4	STANDARD	W/O CLIPSLOT	72.78	29.50
		W/ CLIPSLOT		31.50
2X6	STANDARD	W/O CLIPSLOT	72.79	35.58
		W/ CLIPSLOT		
2X8	STANDARD	W/O CLIPSLOT	72.67	42.25
		W/ CLIPSLOT		
2X10	STANDARD	STANDARD	72.78	49.05

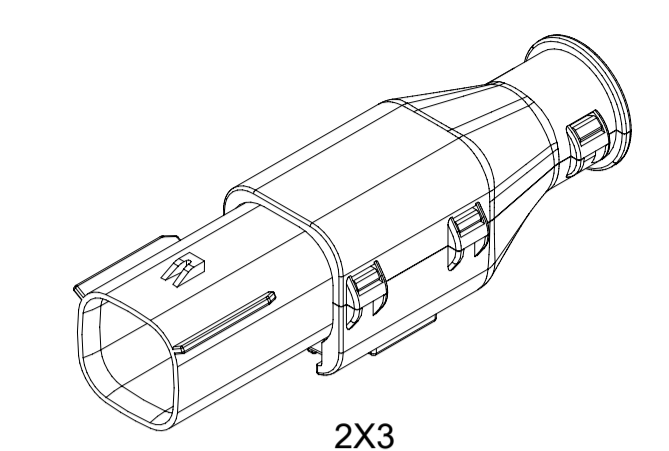


SYMBOLS ▽ = 0 ▽ = 0 ▽ = 0 ▽ = 0 ▽ = 0 ▽ = 0 ▽ = 0 ▽ = 0 ▽ = 0 ▽ = 0	THIS DRAWING CONTAINS INFORMATION THAT IS PROPRIETARY TO MOLEX ELECTRONIC TECHNOLOGIES, LLC AND SHOULD NOT BE USED WITHOUT WRITTEN PERMISSION	DIMENSION UNITS	SCALE	CURRENT REV DESC:						
	mm	4:1	EC NO: 171650 DRWN: PMANJUNATHAC 2018/01/03 CHK'D: MVANSLAMBROU 2018/02/16 APPR: MVANSLAMBROU 2018/02/16							
	GENERAL TOLERANCES (UNLESS SPECIFIED)				INITIAL REVISION:			DOCUMENT NUMBER		
	ANGULAR TOL ± 1.0°				DRWN: APROFFITT 2014/04/28			SD-33482-0001		
	4 PLACES ±				APPR: VKOSHY 2014/05/14			DOC TYPE DOC PART REVISION		
	3 PLACES ±				DRAFT WHERE APPLICABLE MUST REMAIN WITHIN DIMENSIONS			PSD 001 E2		
	2 PLACES ± 0.1				THIRD ANGLE PROJECTION			MATERIAL NUMBER		
	1 PLACE ± 0.2				DRAWING			CUSTOMER		
	0 PLACES ±				A1-SIZE			GENERAL MARKET		
	0 PLACES ±				SERIES			SHEET NUMBER		
				33482			6 OF 11			

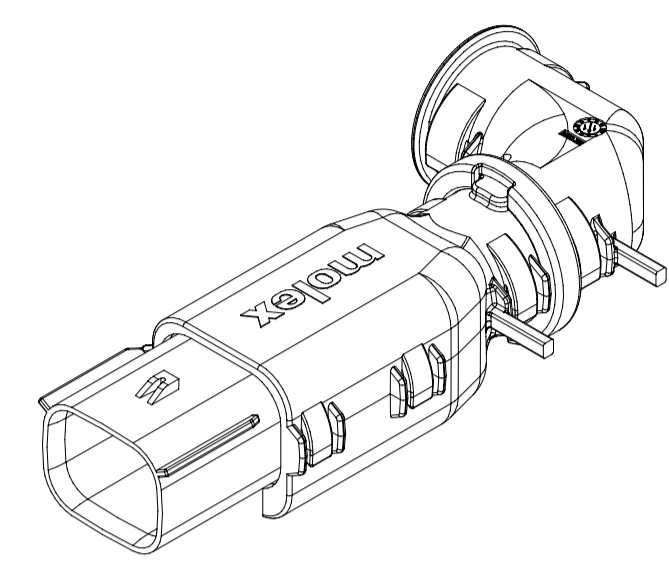
SHEET DESCRIPTION
BACKSHELL NOTES

BACKSHELL NOTES: VALID UNLESS OTHERWISE SPECIFIED

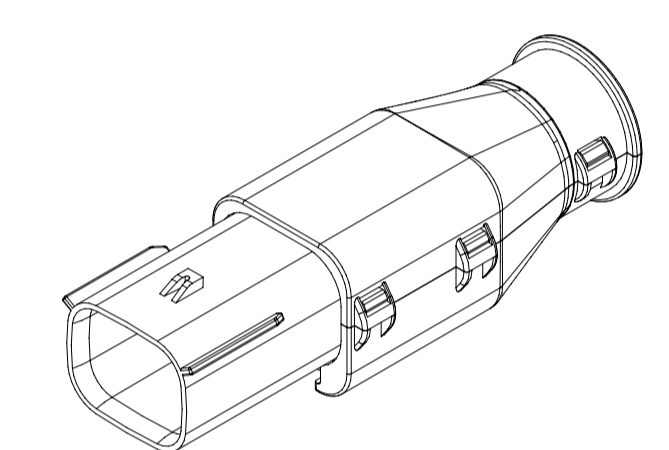
1. GENERAL:
a. APPLICATION SPECIFICATION SEE: AS-34951-001
-DESIGNED TO MATE WITH BLADE SEALED ASSEMBLY SPECIFIED IN MOLEX DRAWING SD-33482-0001.
-SYSTEM TO BE USED WITH WIRE WITHIN DIAMETER RANGE OF 1.2mm TO 2.69mm.
-COMPONENTS ARE OPTIONAL AND MUST BE PURCHASED SEPERATELY.
-DESIGN IS OWNED BY SCHLEMMER FOR SCHLEMMER BACKSHELL.
-DESIGN IS OWNED BY MOLEX FOR MOLEX BACKSHELL.
-90° ADAPTOR DESIGN IS OWNED BY MOLEX.
-FOR ADDITIONAL INFORMATION SEE THE BACKSHELL COMPONENT DRAWING SD-34950-0001.



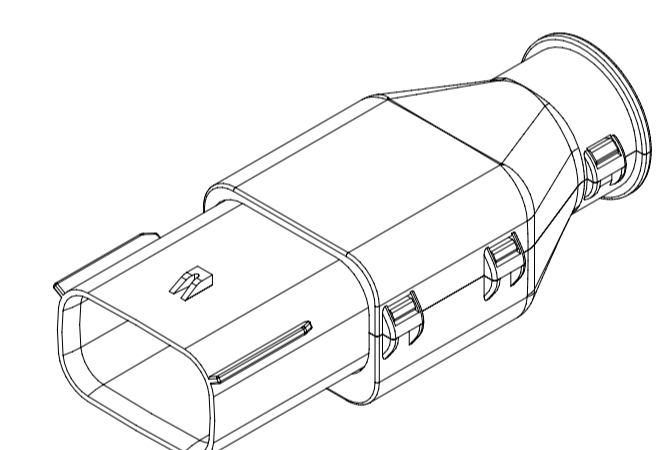
2X3



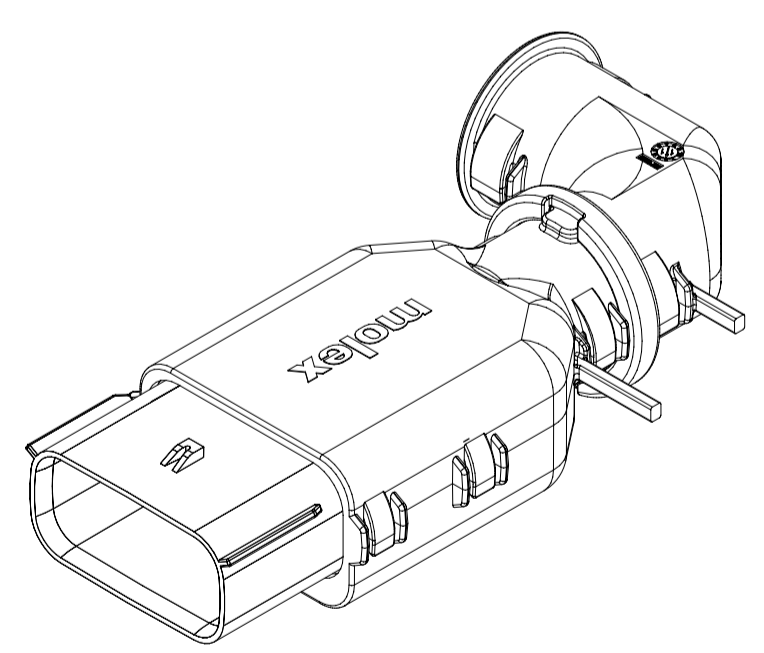
2X4



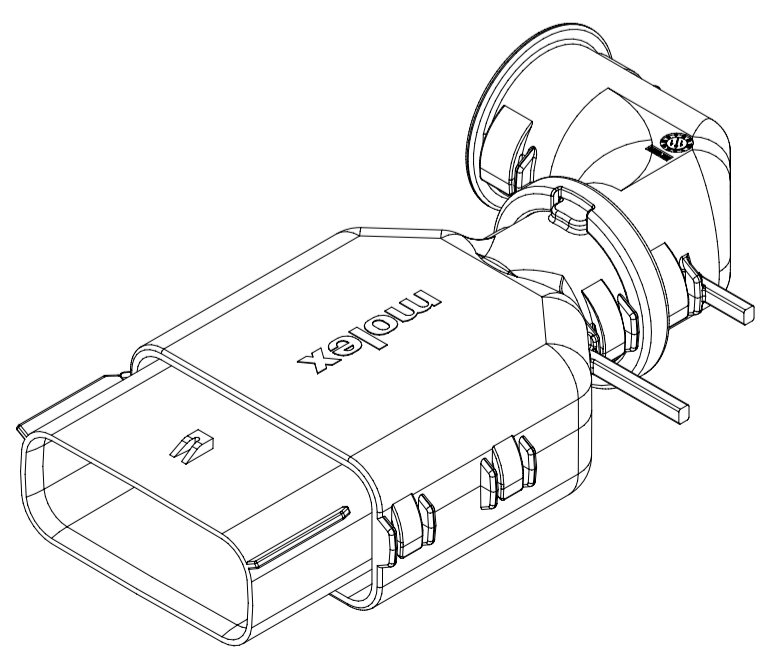
2X4



2X6



2X8



2X10

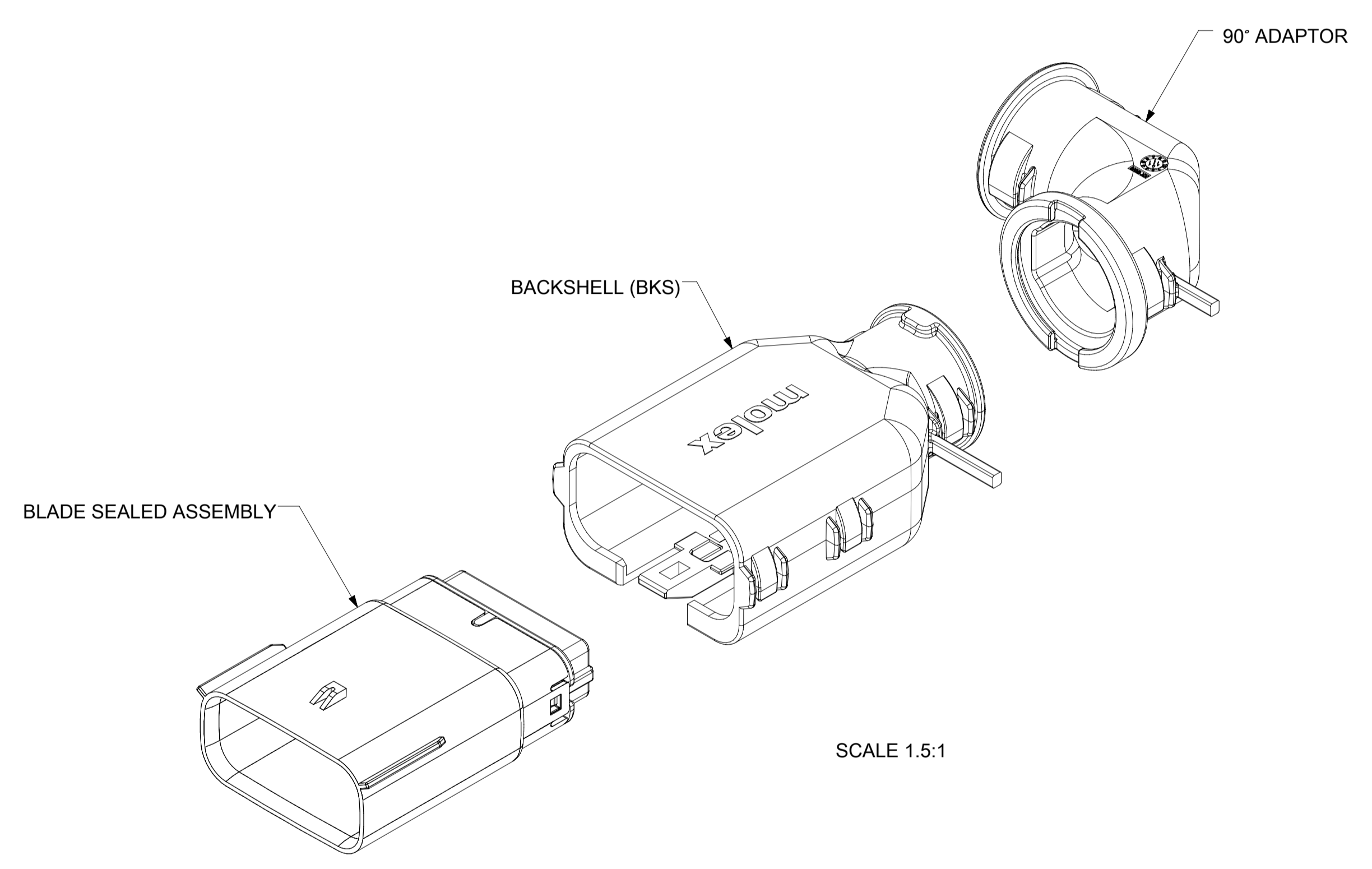
BACKSHELL CUSTOMER MODEL NUMBER LEGEND

34950-XXXX

- CUSTOMER MODEL COMPONENTS
0 - SCHLEMMER BACKSHELL ONLY
1 - SCHLEMMER BACKSHELL & MX150 HOUSING KEY A ASSEMBLY
2 - SCHLEMMER BACKSHELL & MX150 HOUSING KEY B ASSEMBLY
3 - SCHLEMMER BACKSHELL & MX150 HOUSING KEY C ASSEMBLY
4 - SCHLEMMER BACKSHELL & MX150 HOUSING KEY D ASSEMBLY
5 - MOLEX BACKSHELL ONLY
6 - MOLEX BACKSHELL & MX150 HOUSING KEY A ASSEMBLY
7 - MOLEX BACKSHELL & MX150 HOUSING KEY B ASSEMBLY
8 - MOLEX BACKSHELL & MX150 HOUSING KEY C ASSEMBLY
9 - MOLEX BACKSHELL & MX150 HOUSING KEY D ASSEMBLY

- BACKSHELL FEATURES
1 - WITH RIBS
2 - WITHOUT RIBS
3 - 90° ADAPTOR

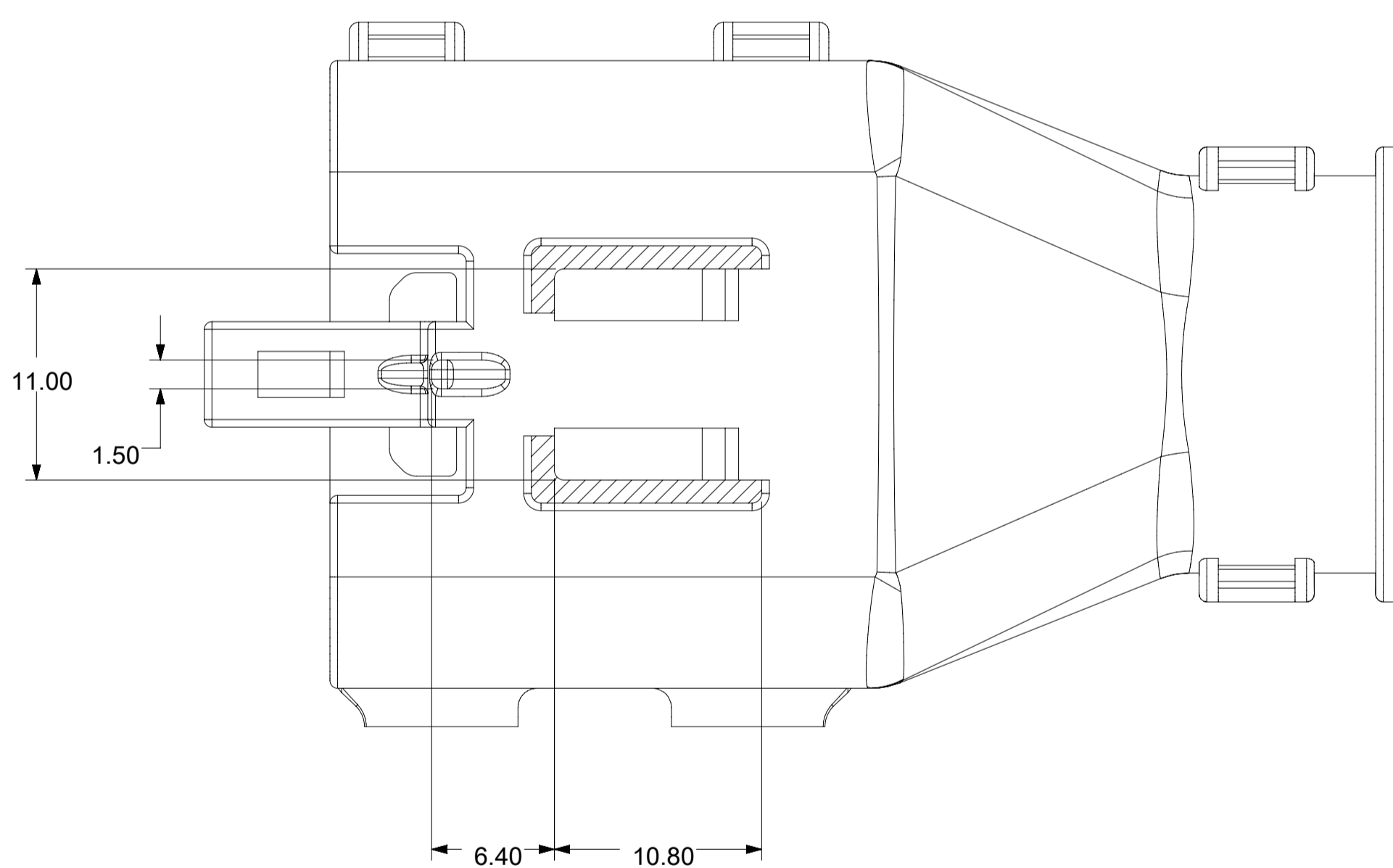
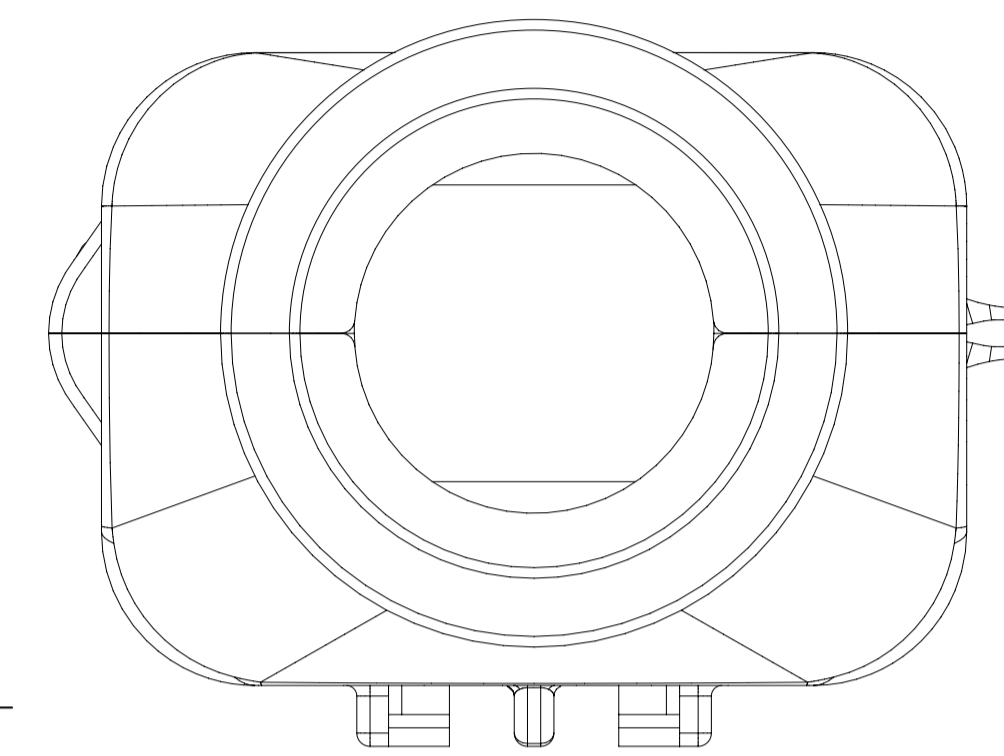
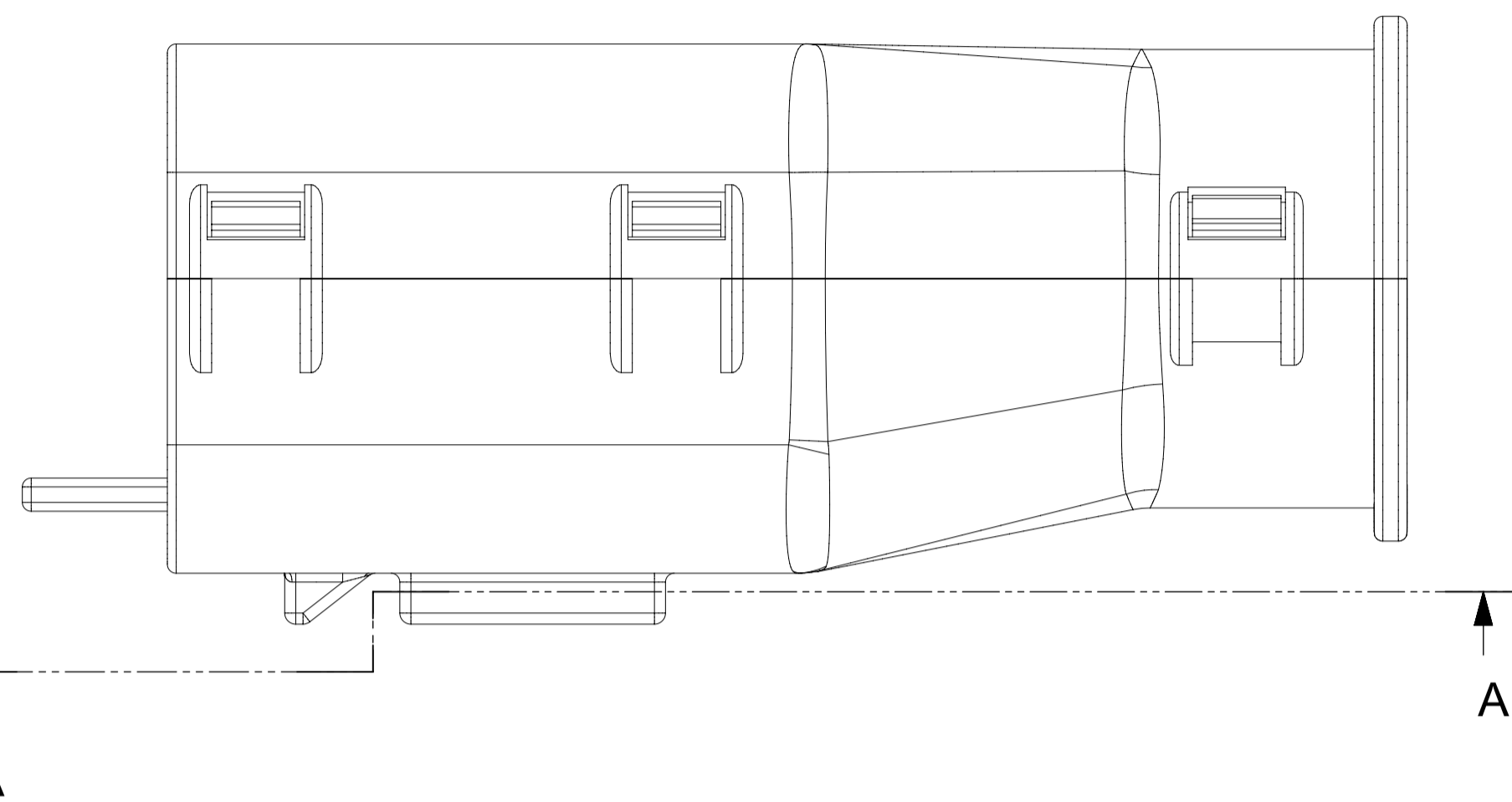
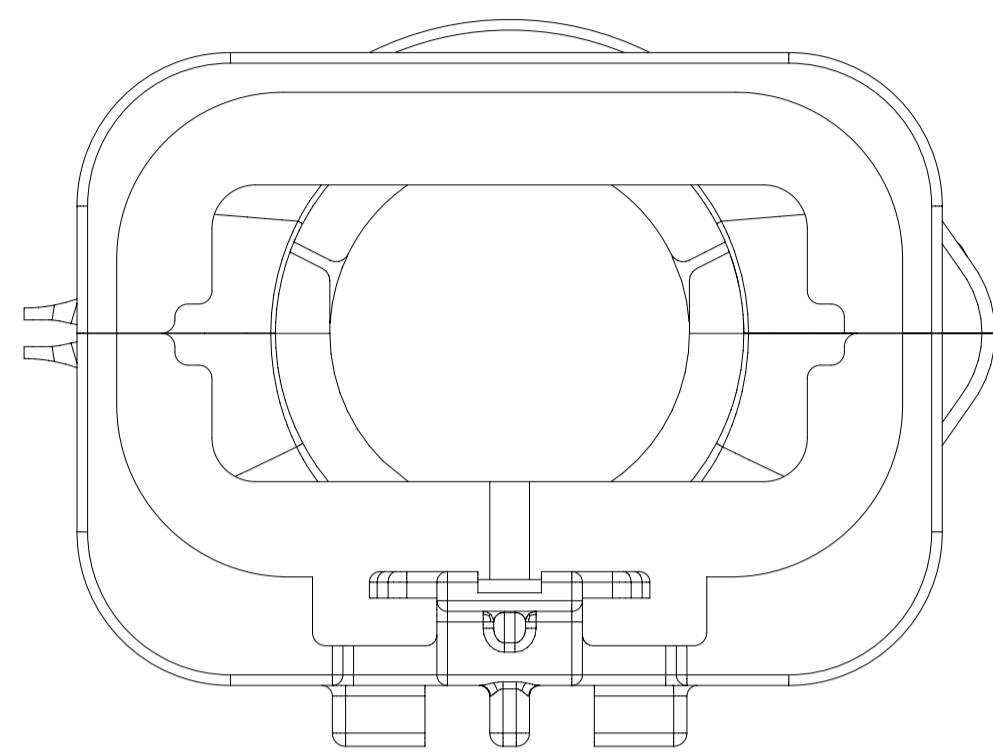
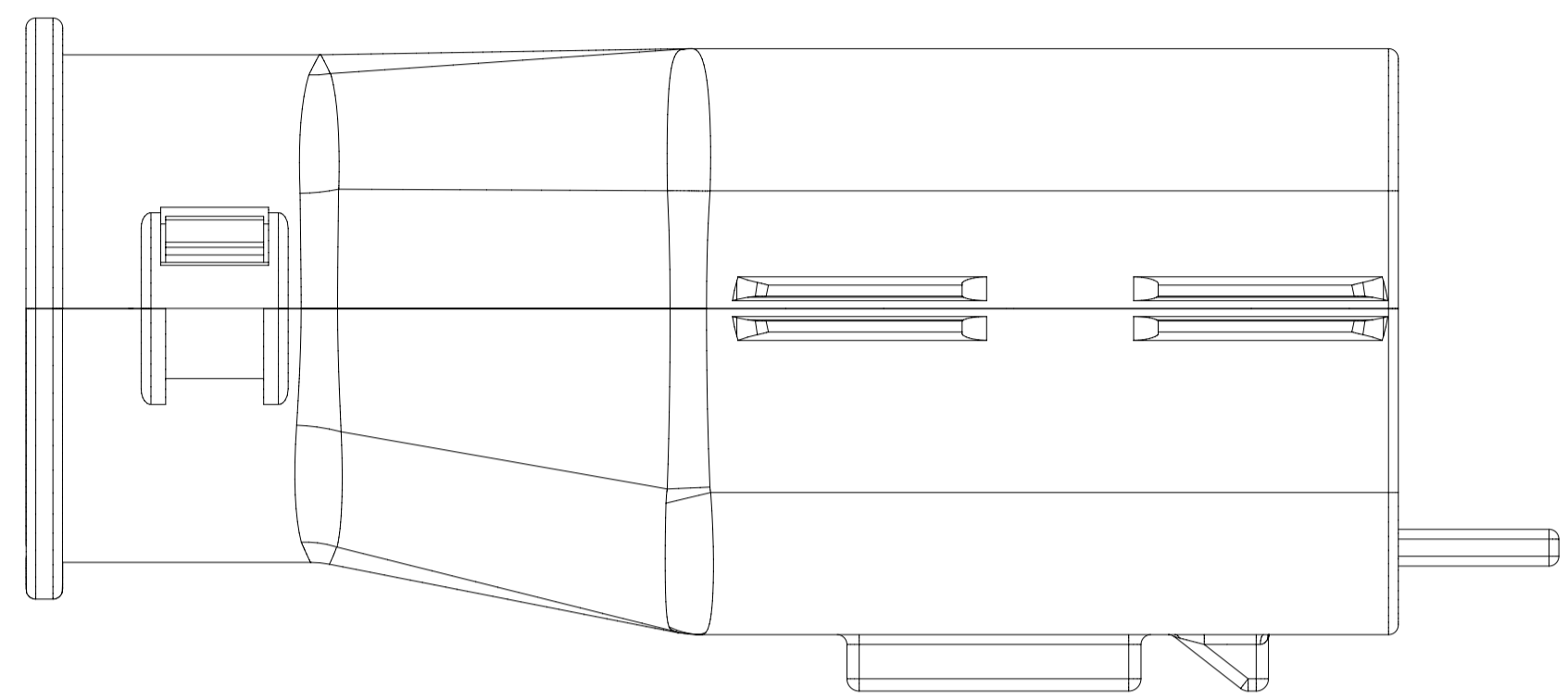
MX150 CIRCUIT SIZE 04, 06, 08, 12, 16, 20



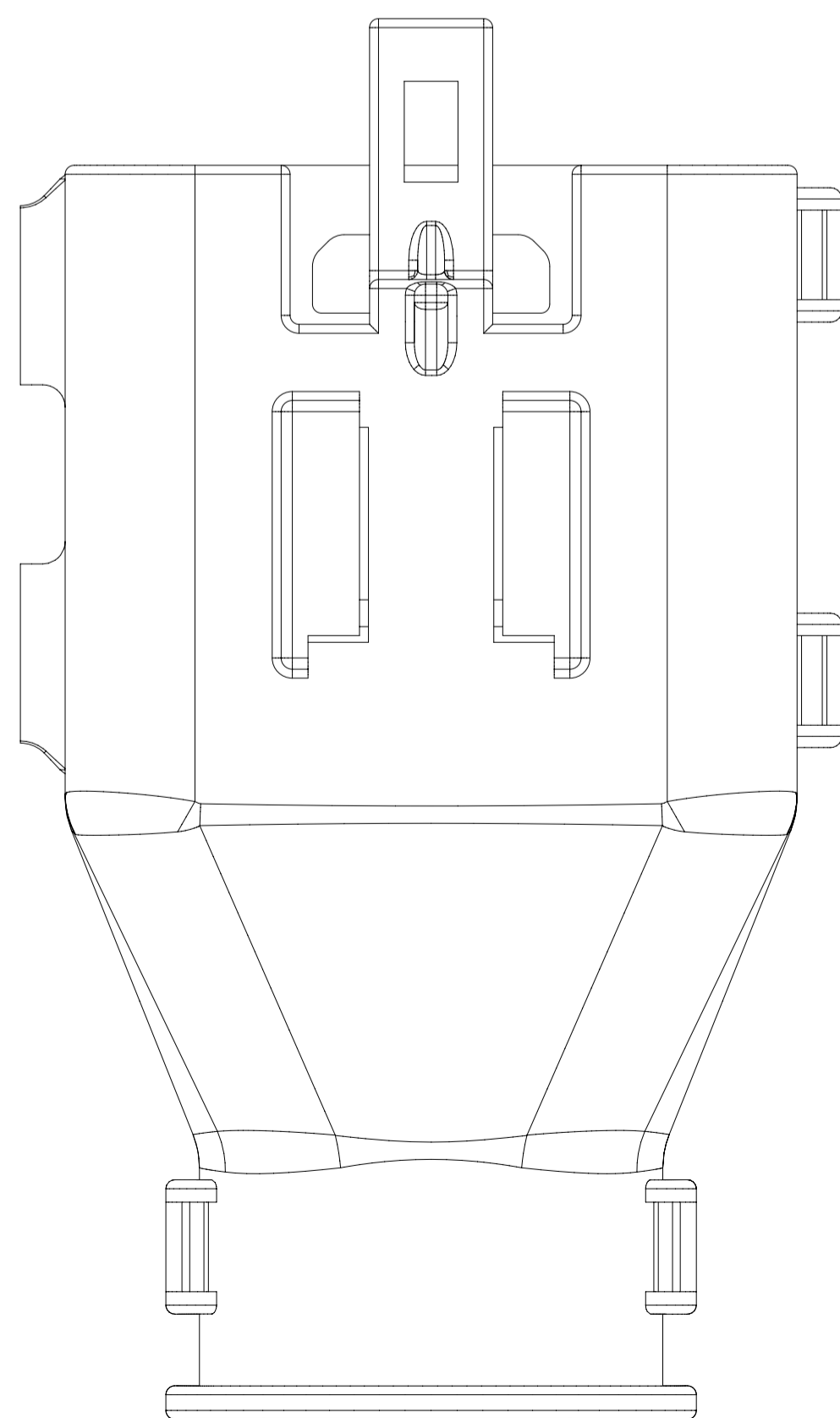
SYMBOLS = 0 = 0 = 0 = 0 = 0 = 0 = 0 = 0 = 0	THIS DRAWING CONTAINS INFORMATION THAT IS PROPRIETARY TO MOLEX ELECTRONIC TECHNOLOGIES, LLC AND SHOULD NOT BE USED WITHOUT WRITTEN PERMISSION	DIMENSION UNITS: mm SCALE: 1.5:1	CURRENT REV DESC: EC NO: 171650 DRWN: PMANJUNATHAC 2018/01/03 CHK'D: MVANSLAMBROU 2018/02/16 APPR: MVANSLAMBROU 2018/02/16	 MX150 BLADE DUAL ROW SEALED ASSEMBLY MAT SEAL		
	GENERAL TOLERANCES (UNLESS SPECIFIED) ANGULAR TOL ± 1.0° 4 PLACES ± 3 PLACES ± 2 PLACES ± 0.1 1 PLACE ± 0.2 0 PLACES ±	INITIAL REVISION: DRWN: APROFFITT 2014/04/28 APPR: VKOSHY 2014/05/14	PRODUCT CUSTOMER DRAWING DOCUMENT NUMBER: SD-33482-0001 DOC TYPE: PSD DOC PART: 001 REVISION: E2			
DRAFT WHERE APPLICABLE MUST REMAIN WITHIN DIMENSIONS	THIRD ANGLE PROJECTION	DRAWING: A1-SIZE	SERIES: 33482	MATERIAL NUMBER:	CUSTOMER: GENERAL MARKET	SHEET NUMBER: 7 OF 11

SHEET DESCRIPTION

SCHLEMMER BACKSHELL



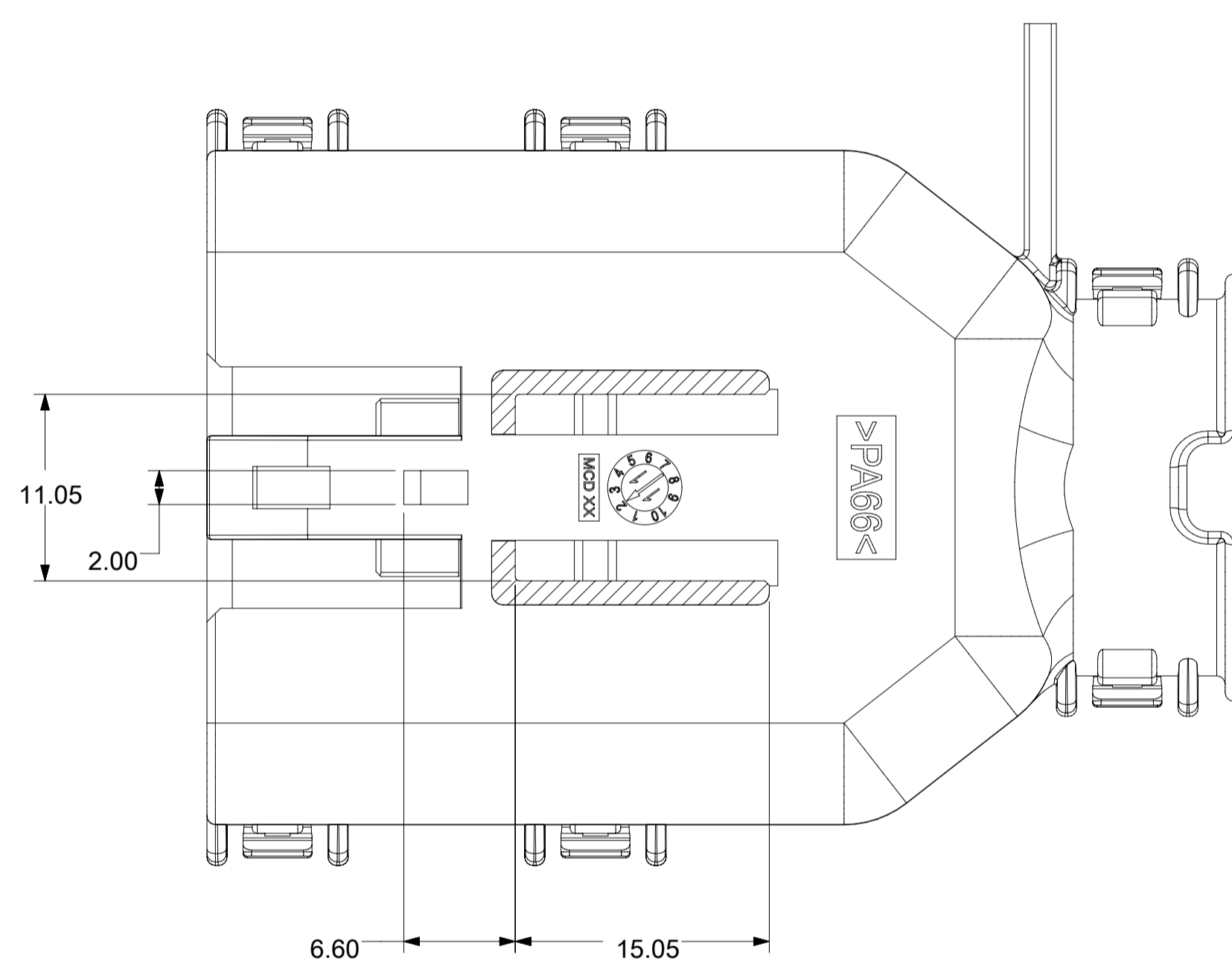
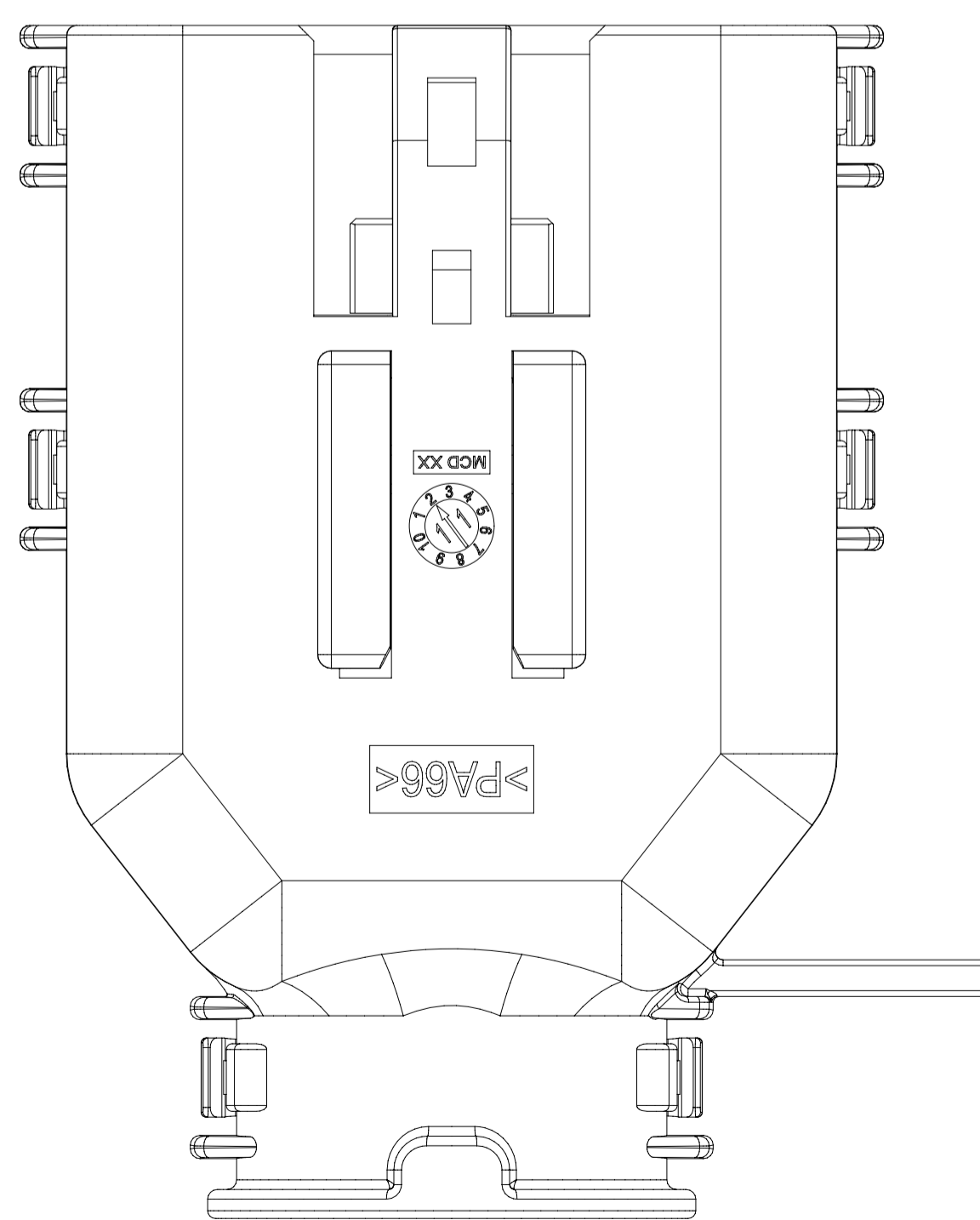
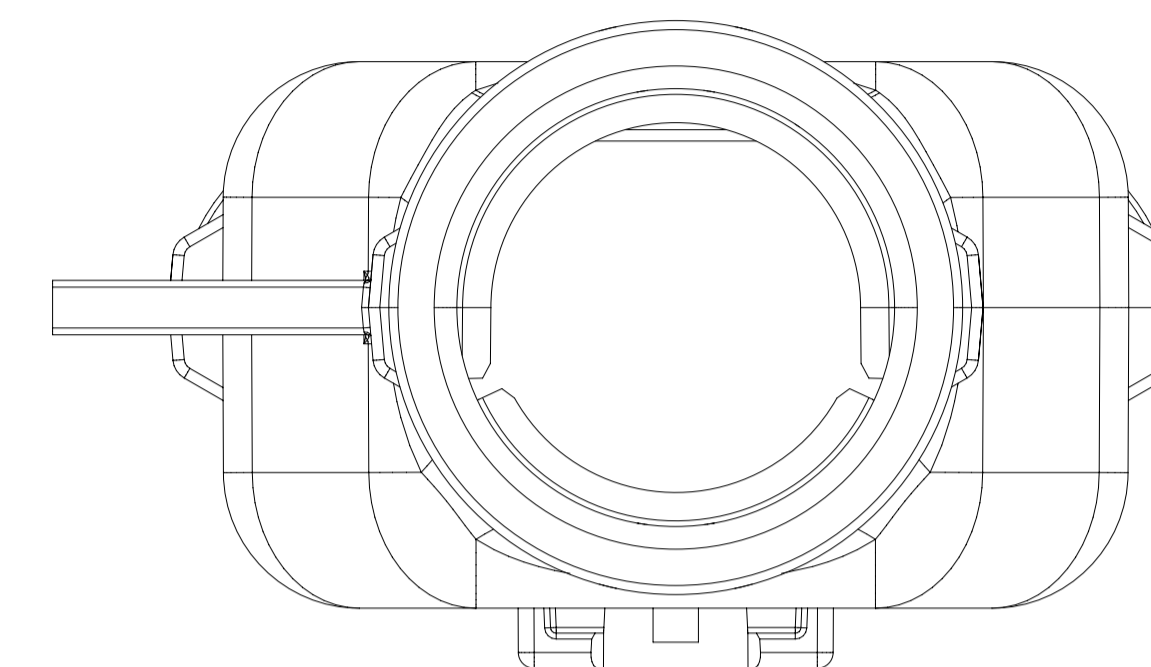
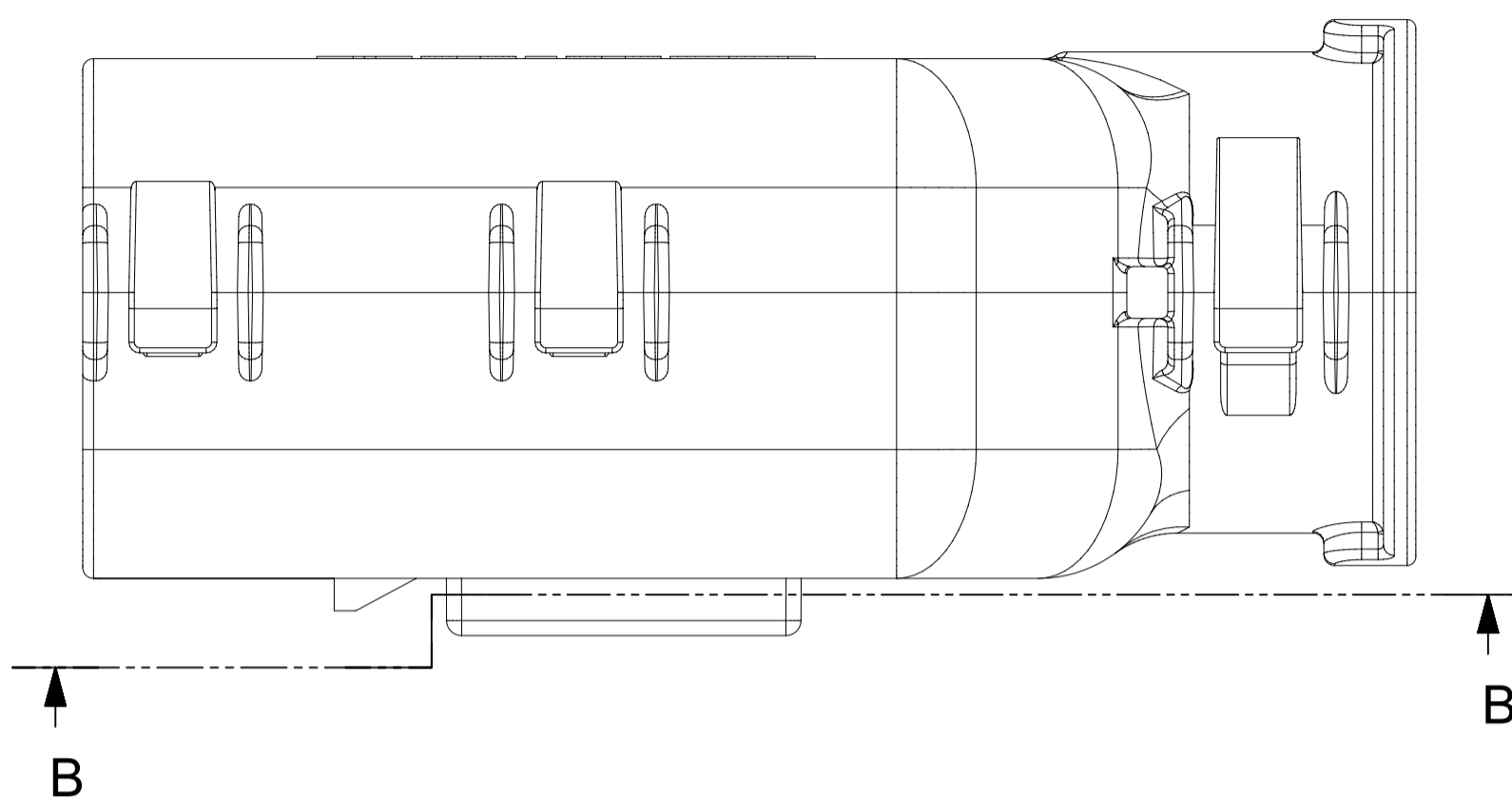
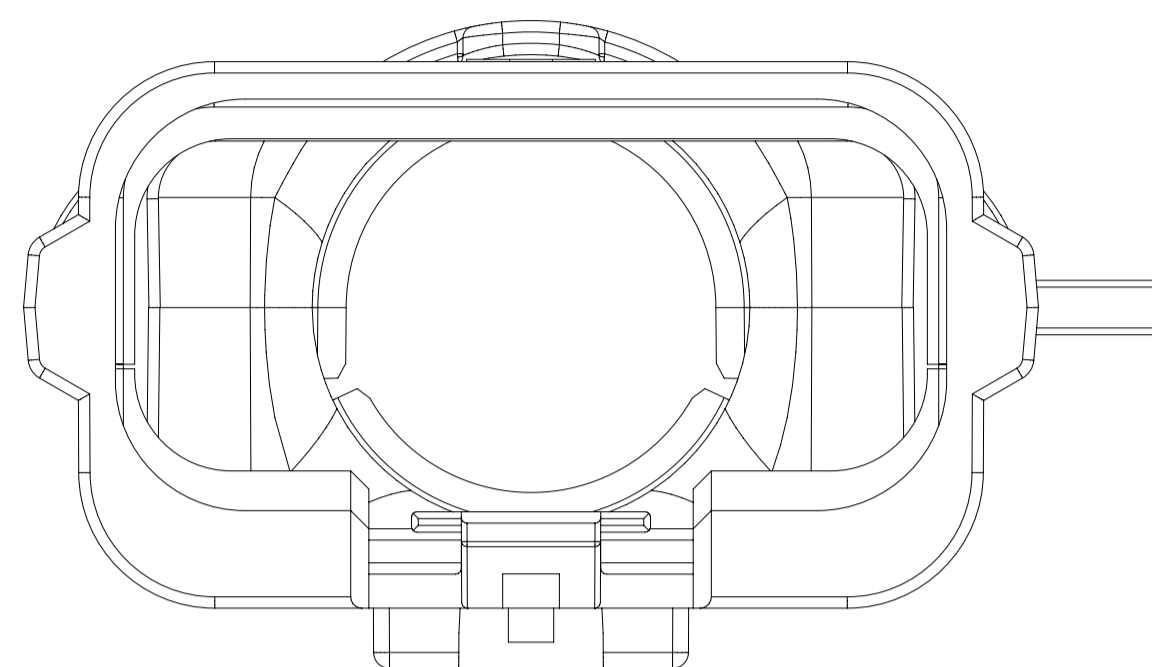
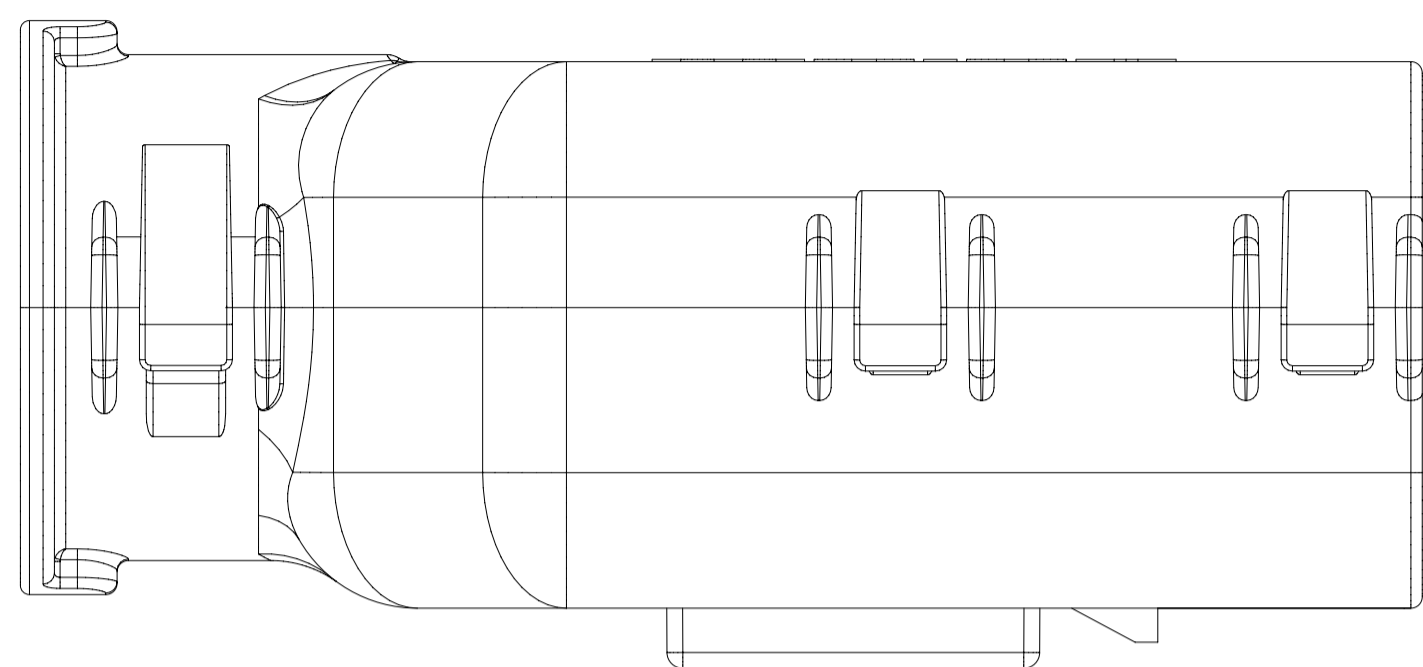
SECTION A-A



SYMBOLS		THIS DRAWING CONTAINS INFORMATION THAT IS PROPRIETARY TO MOLEX ELECTRONIC TECHNOLOGIES, LLC AND SHOULD NOT BE USED WITHOUT WRITTEN PERMISSION		CURRENT REV DESC:					
DIMENSION UNITS	SCALE	EC NO: 171650			DOCUMENT NUMBER	DOC TYPE			
∇ = 0	mm	3.5:1	DRWN: PMANJUNATHAC 2018/01/03			SD-33482-0001	PSD	001	E2
∇ = 0	GENERAL TOLERANCES (UNLESS SPECIFIED)		CHK'D: MVANSLAMBROU 2018/02/16						
∇ = 0	ANGULAR TOL ± 1.0°		APPR: MVANSLAMBROU 2018/02/16						
∇ = 0	4 PLACES	±	INITIAL REVISION:			MATERIAL NUMBER	CUSTOMER	SHEET NUMBER	
∇ = 0	3 PLACES	±	DRWN: APROFFITT 2014/04/28						GENERAL MARKET
∇ = 0	2 PLACES	± 0.1	APPR: VKOSHY 2014/05/14						
∇ = 0	1 PLACE	± 0.2	THIRD ANGLE PROJECTION						
∇ = 0	0 PLACES	±	DRAWING						
∇ = 0	DRAFT WHERE APPLICABLE MUST REMAIN WITHIN DIMENSIONS		SERIES						
∇ = 0			A1-SIZE						
				33482					

18 17 16 15 14 13 12 11 10 9 8 7 6 5 4 3 2 1

SHEET DESCRIPTION
MOLEX BACKSHELL



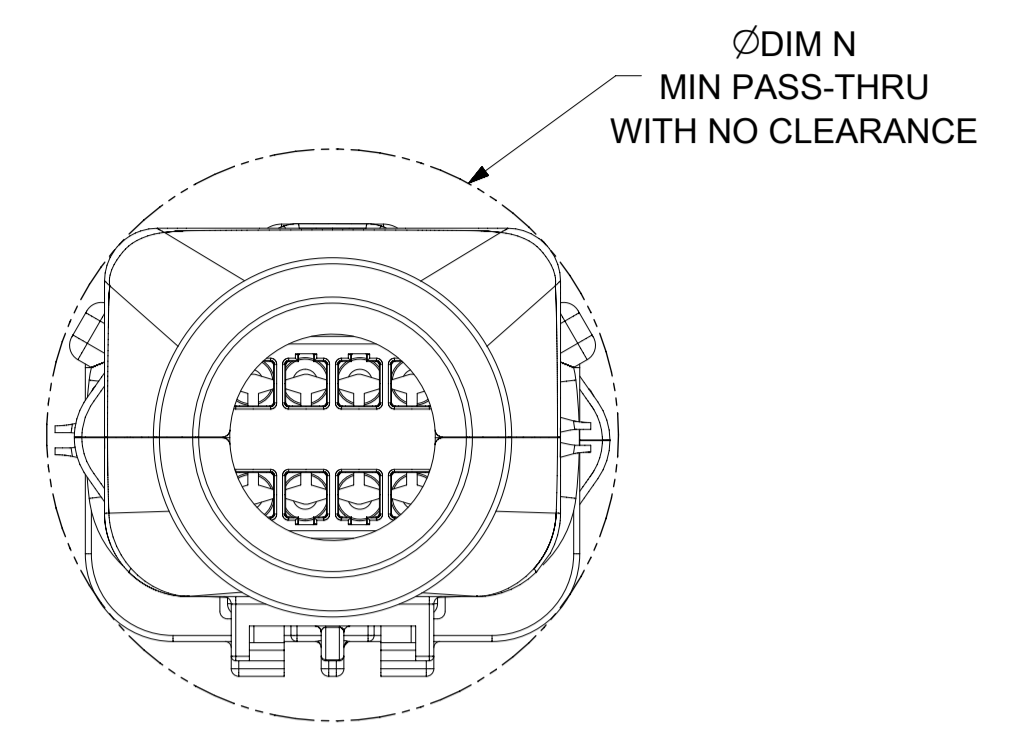
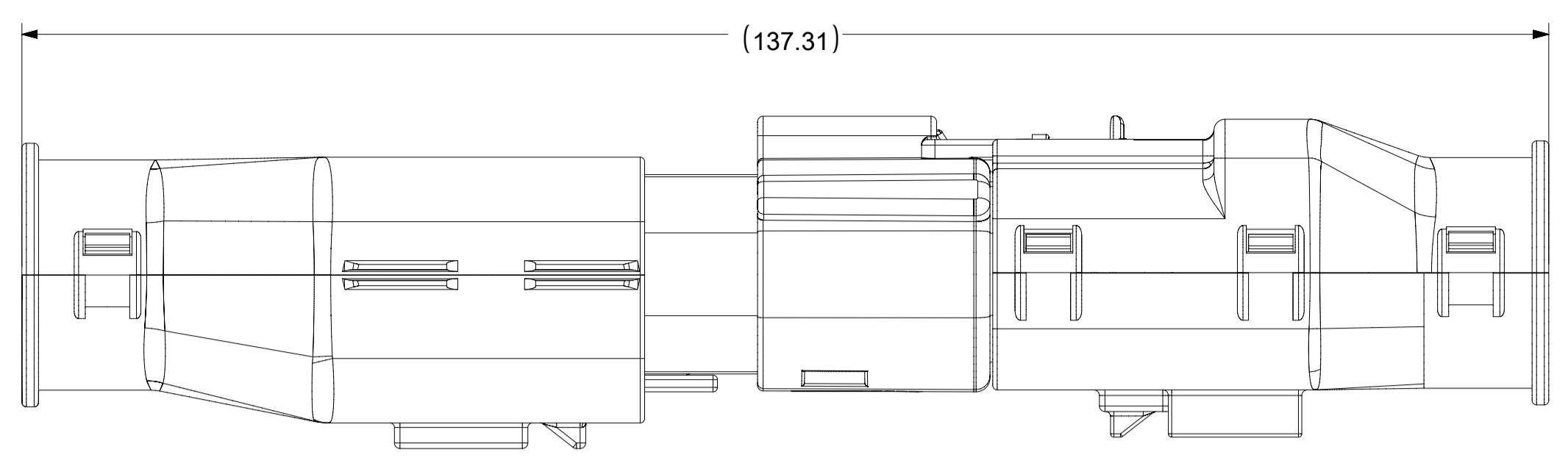
SECTION B-B

SYMBOLS = 0 = 0 = 0 = 0 = 0 = 0 = 0 = 0 = 0 = 0 = 0 = 0 = 0 = 0	THIS DRAWING CONTAINS INFORMATION THAT IS PROPRIETARY TO MOLEX ELECTRONIC TECHNOLOGIES, LLC AND SHOULD NOT BE USED WITHOUT WRITTEN PERMISSION		DIMENSION UNITS mm		SCALE 3:1		CURRENT REV DESC:		 MX150 BLADE DUAL ROW SEALED ASSEMBLY MAT SEAL			
	GENERAL TOLERANCES (UNLESS SPECIFIED)		ANGULAR TOL ± 1.0°		EC NO: 171650 DRWN: PMANJUNATHAC 2018/01/03 CHK'D: MVANSLAMBROU 2018/02/16 APPR: MVANSLAMBROU 2018/02/16		INITIAL REVISION: DRWN: APROFFITT 2014/04/28 APPR: VKOSHY 2014/05/14					DOCUMENT NUMBER SD-33482-0001
	DRAFT WHERE APPLICABLE MUST REMAIN WITHIN DIMENSIONS		THIRD ANGLE PROJECTION 		DRAWING A1-SIZE		SERIES 33482		MATERIAL NUMBER CUSTOMER GENERAL MARKET		SHEET NUMBER 9 OF 11	

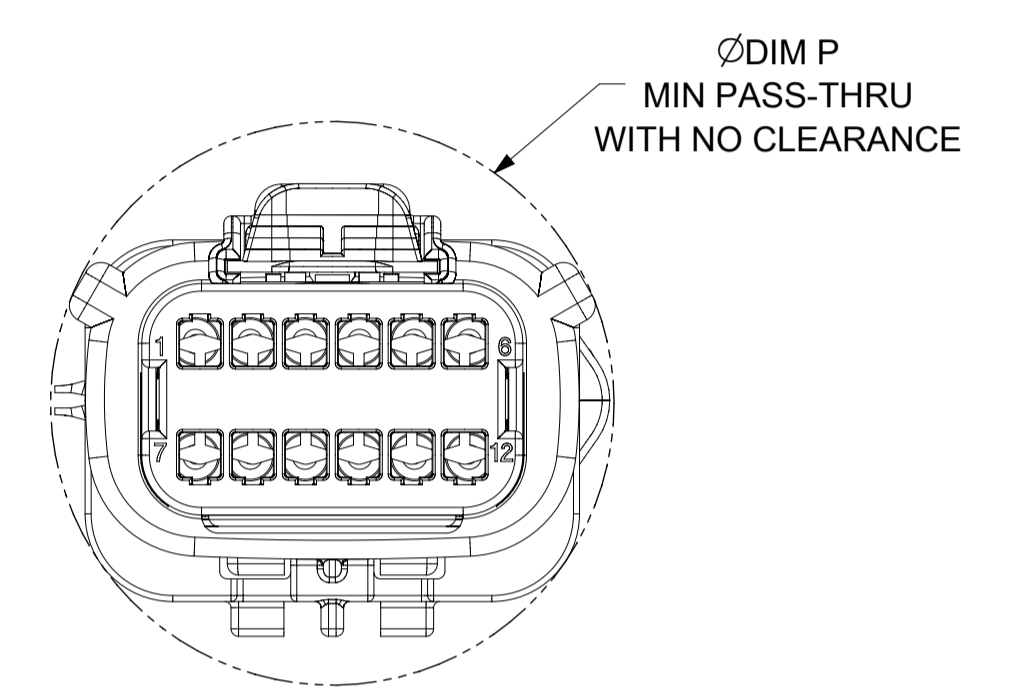
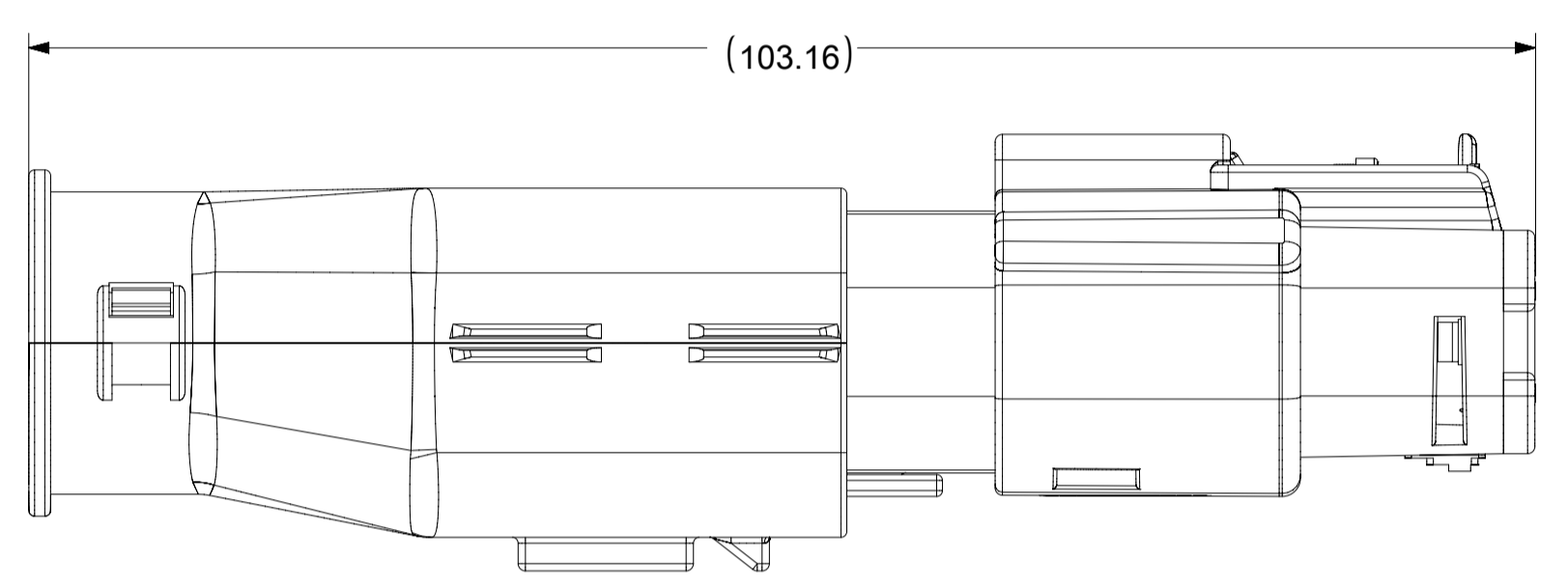
18 17 16 15 14 13 12 11 10 9 8 7 6 5 4 3 2 1

SHEET DESCRIPTION
SCHLEMMER BACKSHELL CONFIGURATIONS

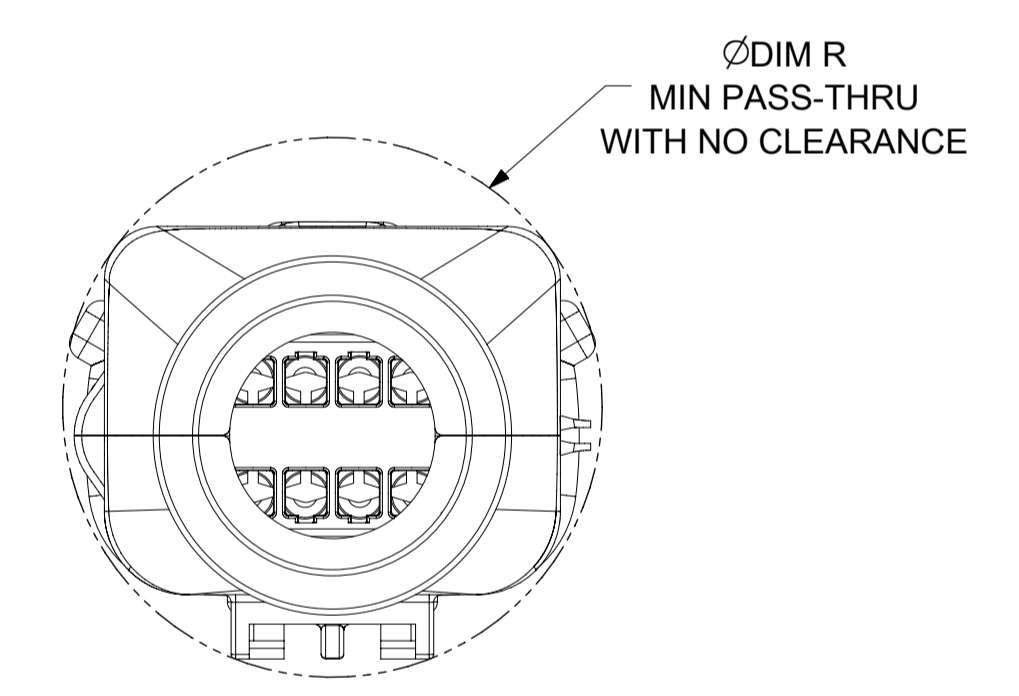
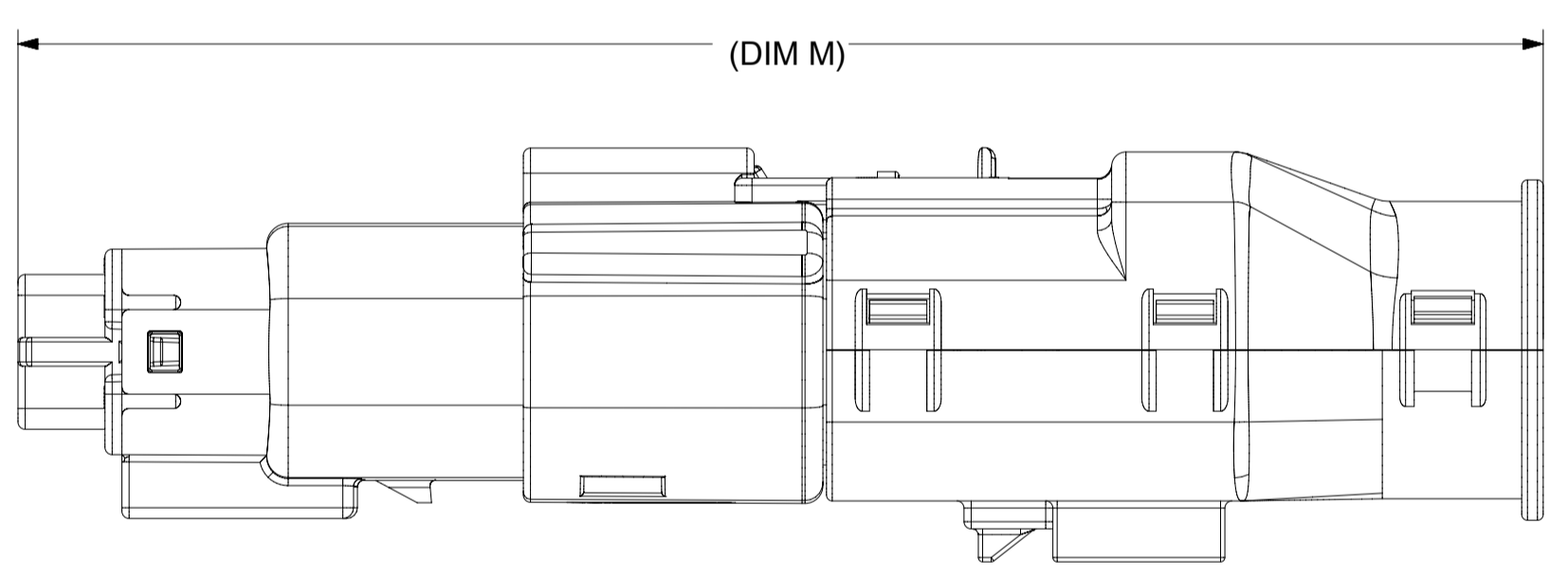
CKT	BLADE CONFIGURATION	RECEPTACLE CONFIGURATION	DIMENSIONS				
			M	N	P	R	T
2X3	STANDARD	STANDARD	106.83	32.75	31.75	29.00	29.50
	LENGTHENED		108.71				
2X4	STANDARD	STANDARD	106.83	33.50	31.90	30.70	30.70
2X6	STANDARD	STANDARD	106.83	37.84	37.27	35.83	36.83



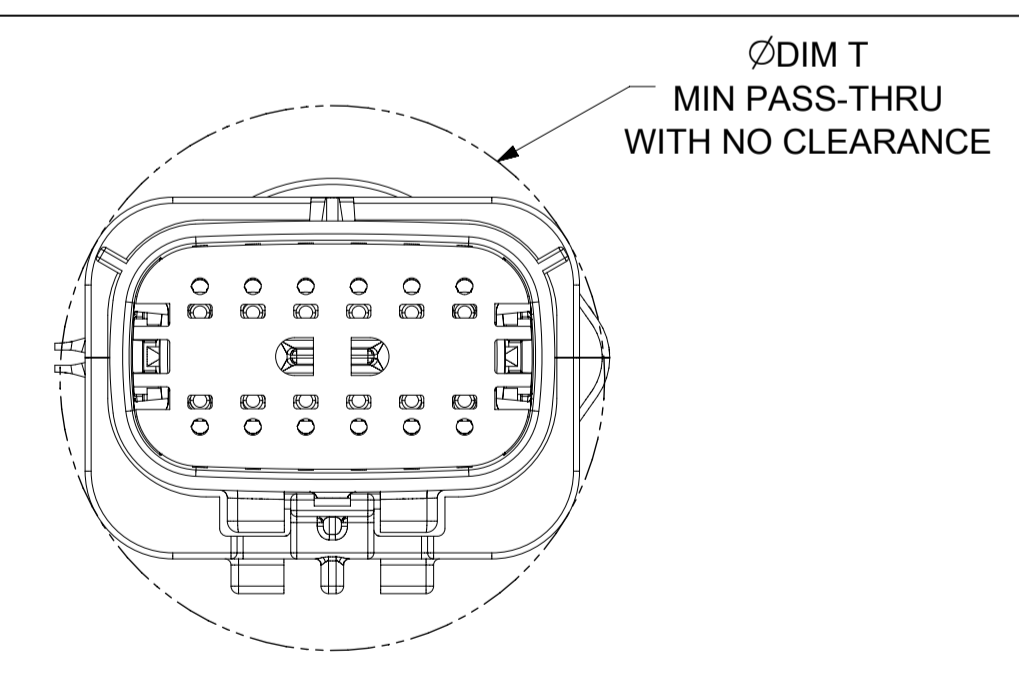
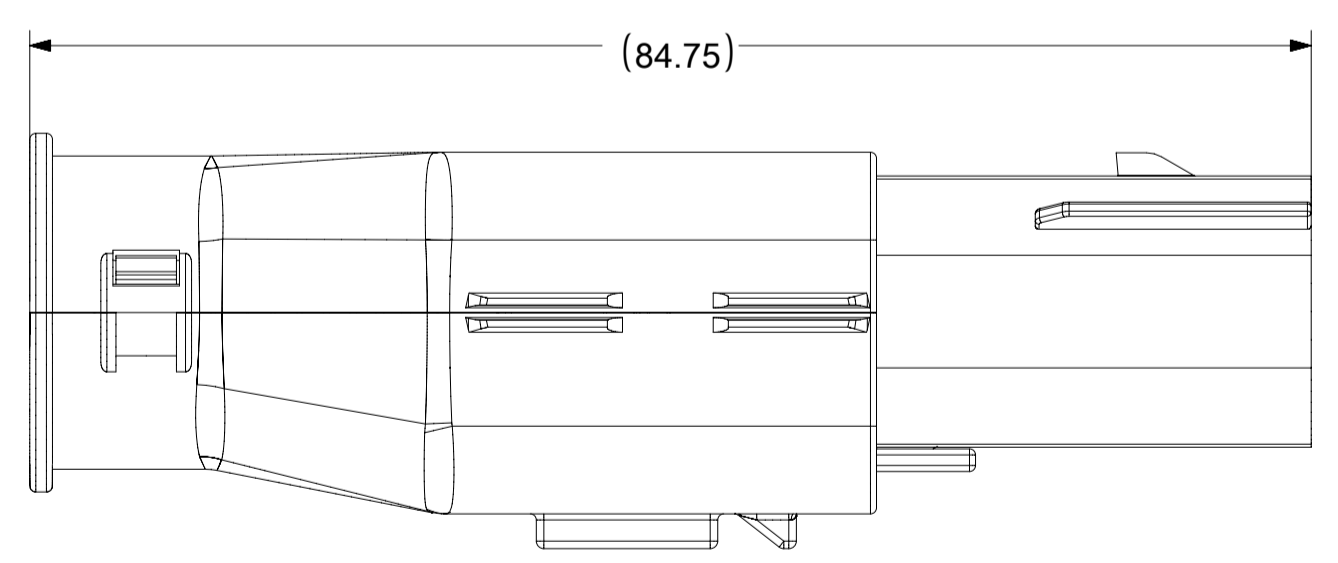
OVERALL MATED SYSTEM WITH BLADE AND RECEPTACLE BACKSHELL



OVERALL MATED SYSTEM WITH BLADE BACKSHELL



OVERALL MATED SYSTEM WITH RECEPTACLE BACKSHELL

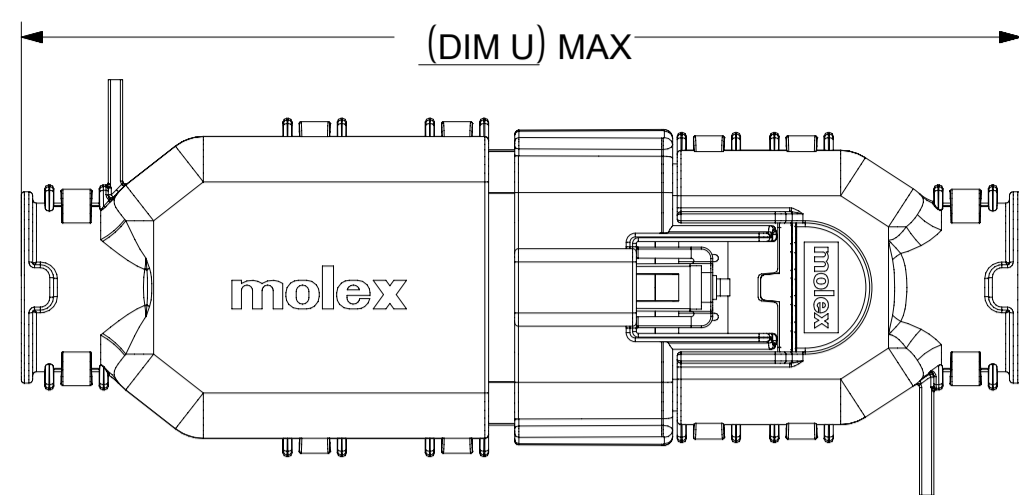


BLADE SEALED ASSEMBLY WITH BLADE BACKSHELL

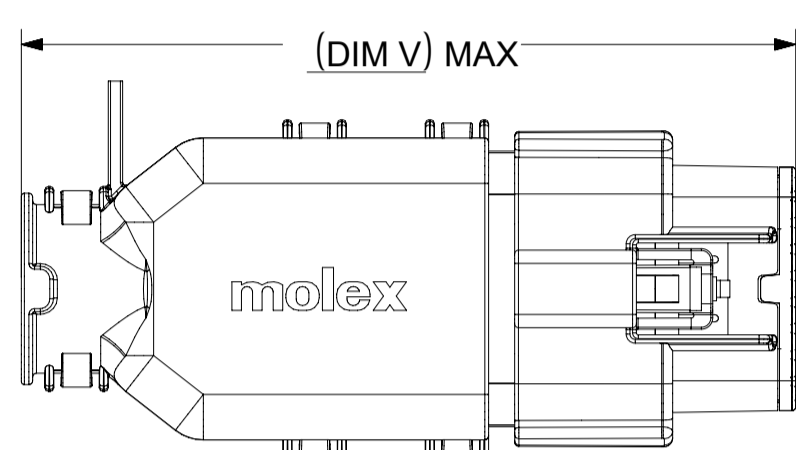
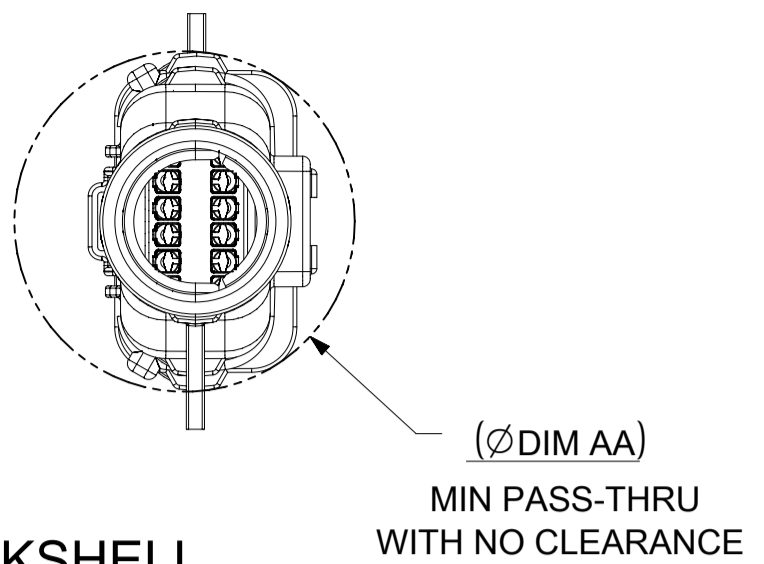
SYMBOLS ▽ = 0 ▽ = 0 ▽ = 0 ▽ = 0 ▽ = 0 ▽ = 0 ▽ = 0 ▽ = 0 ▽ = 0 ▽ = 0 ▽ = 0 ▽ = 0	THIS DRAWING CONTAINS INFORMATION THAT IS PROPRIETARY TO MOLEX ELECTRONIC TECHNOLOGIES, LLC AND SHOULD NOT BE USED WITHOUT WRITTEN PERMISSION	DIMENSION UNITS	SCALE	CURRENT REV DESC:	 MX150 BLADE DUAL ROW SEALED ASSEMBLY MAT SEAL PRODUCT CUSTOMER DRAWING
	mm	2:1	EC NO: 171650		
	GENERAL TOLERANCES (UNLESS SPECIFIED)		DRWN: PMANJUNATHAC 2018/01/03		
	ANGULAR TOL ± 1.0°		CHK'D: MVANSLAMBROU 2018/02/16		
	4 PLACES ±		APPR: MVANSLAMBROU 2018/02/16		
3 PLACES ±		INITIAL REVISION:			
2 PLACES ± 0.1		DRWN: APROFFITT 2014/04/28			
1 PLACE ± 0.2		APPR: VKOSHY 2014/05/14			
0 PLACES ±		THIRD ANGLE PROJECTION	DRAWING	SERIES	
DRAFT WHERE APPLICABLE MUST REMAIN WITHIN DIMENSIONS			A1-SIZE	33482	

DOCUMENT NUMBER	DOC TYPE	DOC PART	REVISION
SD-33482-0001	PSD	001	E2
MATERIAL NUMBER	CUSTOMER		SHEET NUMBER
	GENERAL MARKET		10 OF 11

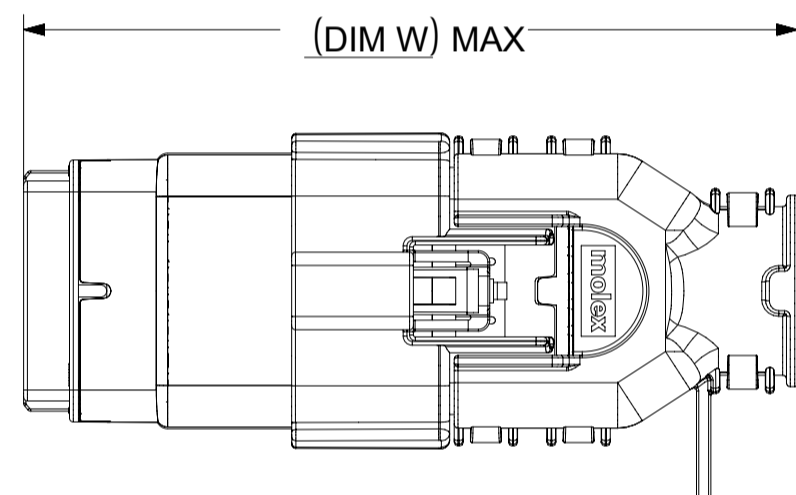
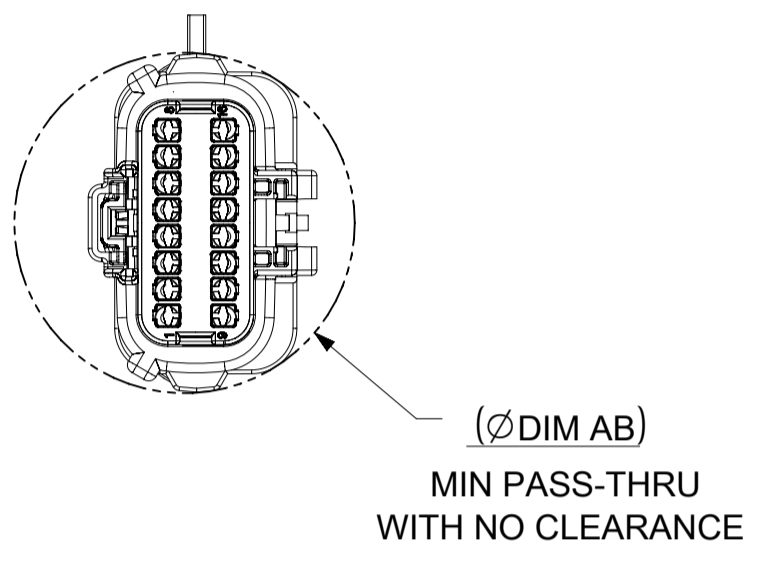
SHEET DESCRIPTION
MOLEX BACKSHELL CONFIGURATIONS



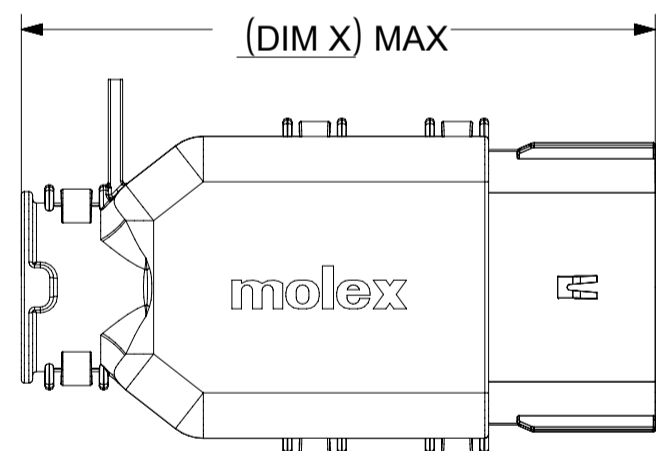
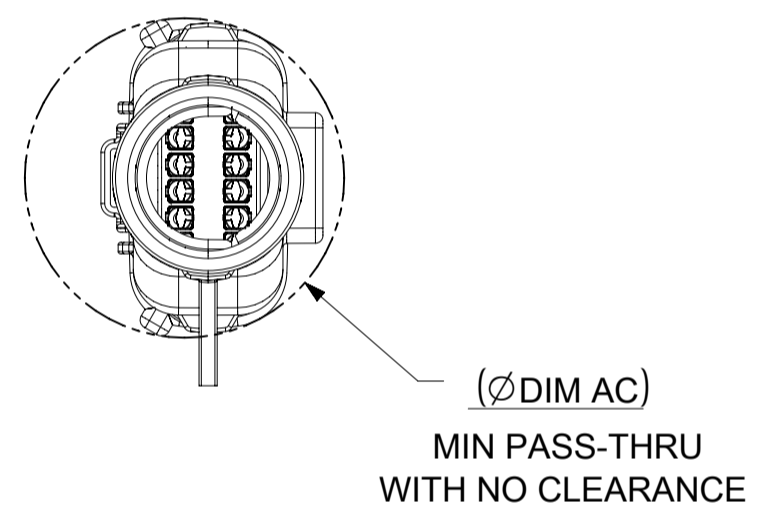
OVERALL MATED SYSTEM WITH BLADE AND RECEPTACLE BACKSHELL



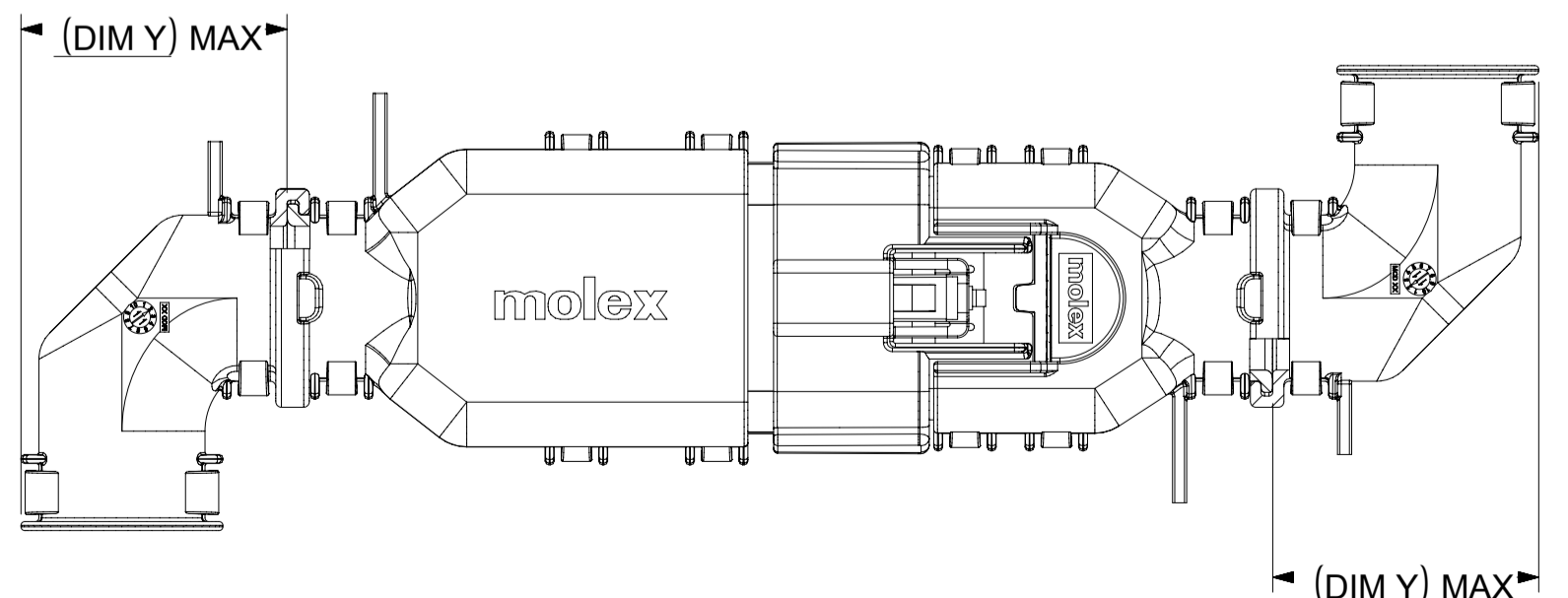
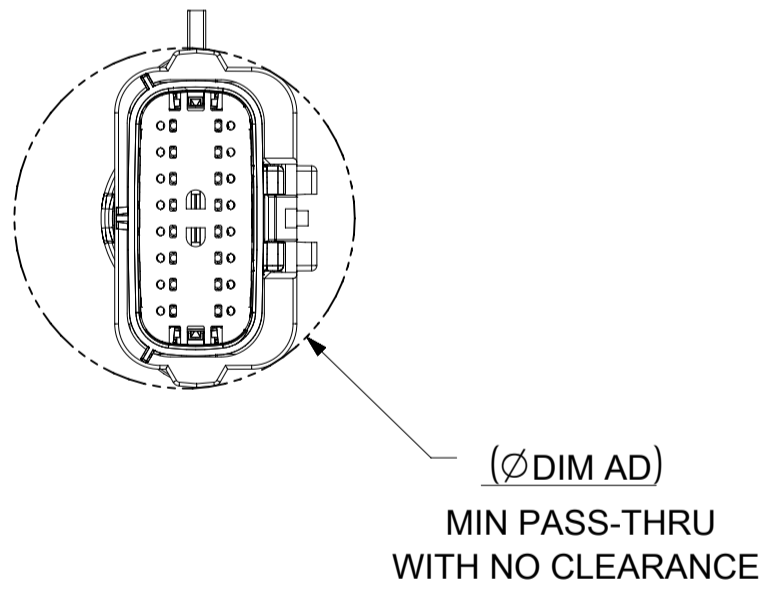
OVERALL MATED SYSTEM WITH BLADE BACKSHELL



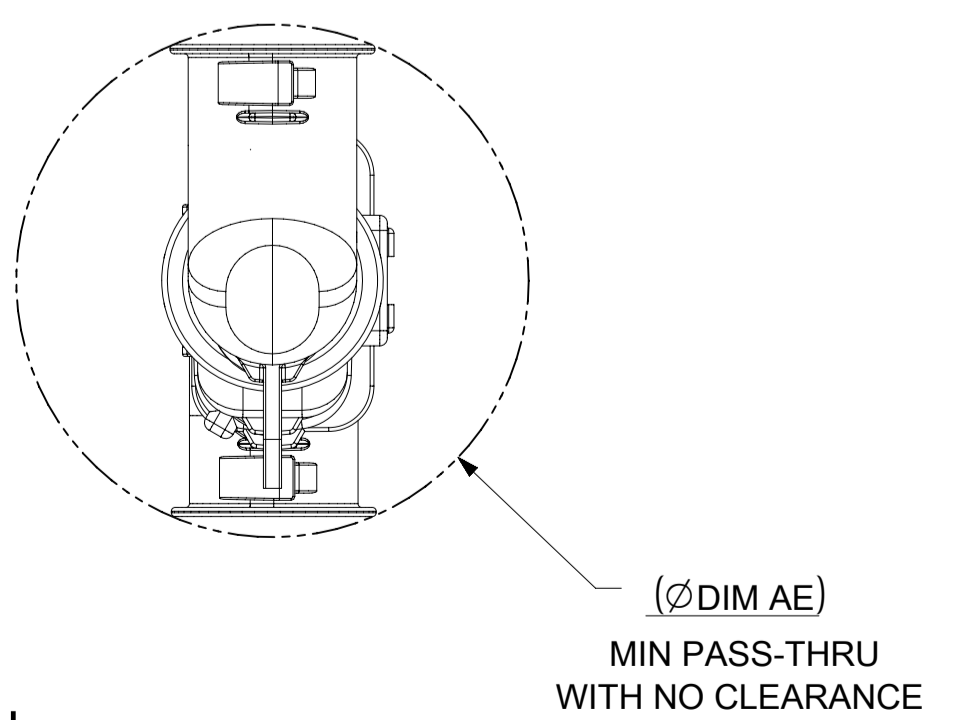
OVERALL MATED SYSTEM WITH RECEPTACLE BACKSHELL



BLADE SEALED ASSEMBLY WITH BLADE BACKSHELL



ADD THE VALUE OF 'Y' TO THE TOTAL DIMENSION WHENEVER ADAPTOR IS USED

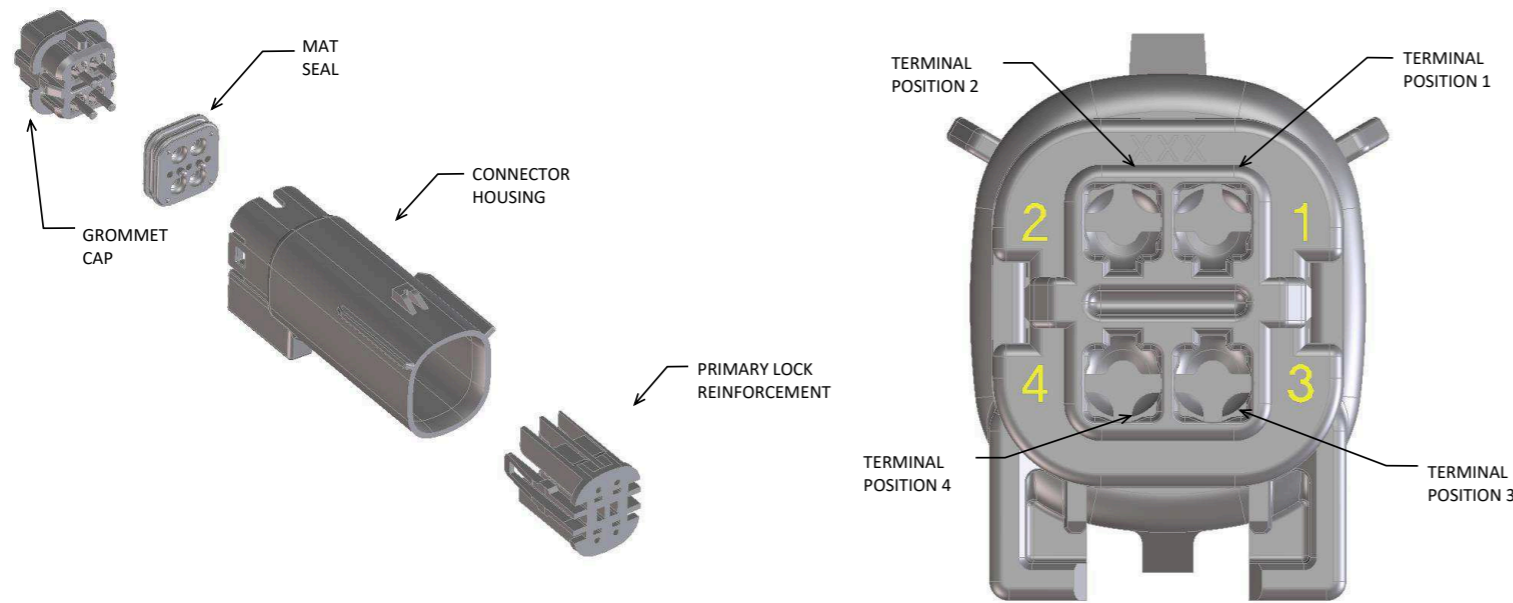


CHARTED DIMENSIONS

CKT	BLADE CONFIGURATION	RECEPTACLE CONFIGURATION	DIMENSIONS									
			U	V	W	X	Y	AA	AB	AC	AD	AE
2X4	STANDARD	STANDARD	115.24	94.36	93.93	75.62	32.10	32.93	32.54	32.85	31.76	56.81
2X8	STANDARD	STANDARD	132.49	102.81	102.73	84.07	36.10	45.44	45.44	42.65	45.44	68.18
2X10	STANDARD	STANDARD	132.49	102.81	102.73	84.07	36.10	45.44	45.44	42.65	45.44	68.18

SYMBOLS	THIS DRAWING CONTAINS INFORMATION THAT IS PROPRIETARY TO MOLEX ELECTRONIC TECHNOLOGIES, LLC AND SHOULD NOT BE USED WITHOUT WRITTEN PERMISSION		CURRENT REV DESC:			molex			
	DIMENSION UNITS	SCALE							
▽ = 0	mm	1:1	EC NO: 171650			MX150 BLADE			
▽ = 0	GENERAL TOLERANCES (UNLESS SPECIFIED)		DRWN: PMANJUNATHAC 2018/01/03			DUAL ROW SEALED ASSEMBLY MAT SEAL			
▽ = 0	ANGULAR TOL ± 1.0°		CHK'D: MVANSLAMBROU 2018/02/16			PRODUCT CUSTOMER DRAWING			
▽ = 0	4 PLACES	±	APPR: MVANSLAMBROU 2018/02/16			INITIAL REVISION:			
▽ = 0	3 PLACES	±	DRWN: APROFFITT 2014/04/28			DOCUMENT NUMBER	DOC TYPE	DOC PART	REVISION
▽ = 0	2 PLACES	± 0.1	APPR: VKOSHY 2014/05/14			SD-33482-0001	PSD	001	E2
▽ = 0	1 PLACE	± 0.2	THIRD ANGLE PROJECTION			MATERIAL NUMBER	CUSTOMER	SHEET NUMBER	
▽ = 0	0 PLACES	±	DRAWING			33482	GENERAL MARKET	11 OF 11	
▽ = 0	DRAFT WHERE APPLICABLE MUST REMAIN WITHIN DIMENSIONS		A1-SIZE						

**MX150 2X2 BLADE SEALED ASSEMBLY MAT SEAL
BOM AND PIN OUT SHEET**



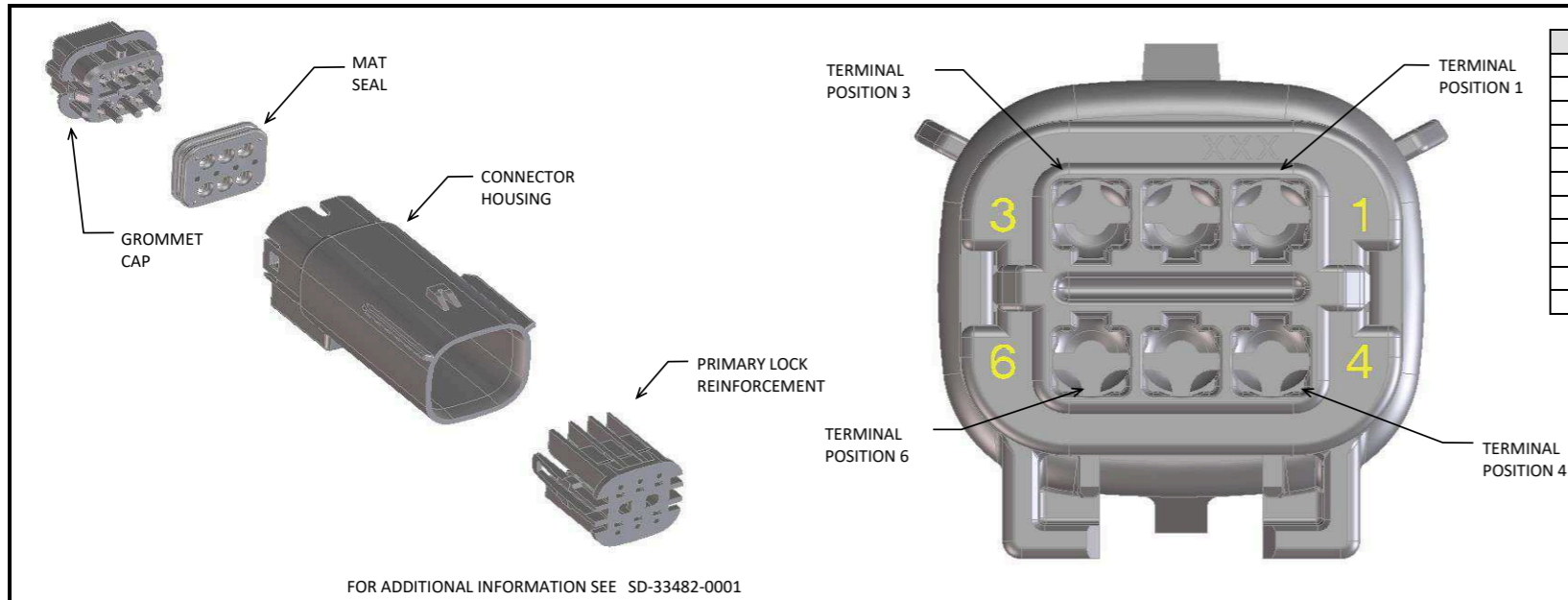
ABBREVIATION	DESCRIPTION	COLOR	MATERIAL
A-BLK	HOUSING, KEYING OPTION A	BLACK	SPS/NYLON GF20
B-LG	HOUSING, KEYING OPTION B	LIGHT GRAY	SPS/NYLON GF20
C-BR	HOUSING, KEYING OPTION C	BROWN	SPS/NYLON GF20
D-GR	HOUSING, KEYING OPTION D	GREEN	SPS/NYLON GF20
C-DG	HOUSING, KEYING OPTION C	DARK GRAY	SPS/NYLON GF20
D-SG	HOUSING, KEYING OPTION D	STONE GRAY	SPS/NYLON GF20
A-YW	HOUSING, KEYING OPTION A	YELLOW	SPS/NYLON GF20
GCP	GROMMET CAP (PLUGGED)	BLACK	SPS/NYLON GF20
GCO	GROMMET CAP (OPEN)	BLACK	SPS/NYLON GF20
PLR	PLR	NATURAL	SPS/NYLON GF20
M	MAT SEAL	ROYAL BLUE	INHERENTLY LUBRICATED SILICONE

FOR ADDITIONAL INFORMATION SEE SD-33482-0001

ASSEMBLY DESCRIPTION	ASSEMBLY PART NUMBER	COMPONENT				BLOCKED TERMINALS												STATUS	COMMENTS	OPTIONAL ATTACHMENTS SOLD SEPERATELY	
		THE PRESENCE OF AN ABBREVIATION INDICATES THE PRESENCE OF THAT COMPONENT.				CAVITY WITH A NUMBER INDICATES BLOCKED TERMINAL POSITION CAVITY WITHOUT A NUMBER INDICATES OPEN TERMINAL POSITION														BACKSHELL WITH RIBS	BACKSHELL WITHOUT RIBS
		HOUSING KEY/COLOR	GROMMET CAP	PLR	MAT SEAL	1	2	3	4												
KEY A, BLACK	33482-4001	A-BLK	GCO	PLR	M														SALEABLE		
KEY B, LIGHT GRAY	33482-4002	B-LG	GCO	PLR	M														SALEABLE		
KEY C, BROWN	33482-4003	C-BR	GCO	PLR	M														NOT RECOMMENDED	SEE 33482-4103	
KEY D, GREEN	33482-4004	D-GR	GCO	PLR	M														NOT RECOMMENDED	SEE 33482-4104	
KEY A, BLACK	33482-4006	A-BLK	GCP	PLR	M		2												SALEABLE		
KEY B, LIGHT GRAY	33482-4007	B-LG	GCP	PLR	M		2												SALEABLE		
KEY C, BROWN	33482-4008	C-BR	GCP	PLR	M		2												NOT RECOMMENDED	SEE 33482-4105	
KEY D, GREEN	33482-4009	D-GR	GCP	PLR	M		2												NOT RECOMMENDED	SEE 33482-4106	
KEY A, BLACK	33482-4011	A-BLK	GCP	PLR	M		2	3											SALEABLE		
KEY B, LIGHT GRAY	33482-4012	B-LG	GCP	PLR	M		2	3											SALEABLE		
KEY C, BROWN	33482-4013	C-BR	GCP	PLR	M		2	3											NOT RECOMMENDED	SEE 33482-4107	
KEY D, GREEN	33482-4014	D-GR	GCP	PLR	M		2	3											NOT RECOMMENDED	SEE 33482-4108	
KEY A, BLACK	33482-4016	A-BLK	GCP	PLR	M	1	2	3	4										SALEABLE		
KEY B, LIGHT GRAY	33482-4017	B-LG	GCP	PLR	M	1	2	3	4										SALEABLE		
KEY C, BROWN	33482-4018	C-BR	GCP	PLR	M	1	2	3	4										NOT RECOMMENDED	SEE 33482-4109	
KEY D, GREEN	33482-4019	D-GR	GCP	PLR	M	1	2	3	4										NOT RECOMMENDED	SEE 33482-4110	
KEY A, BLACK	33482-4021	A-BLK	GCP	PLR	M	1	2	3											SALEABLE		
KEY A, BLACK	33482-4022	A-BLK	GCP	PLR	M				4										SALEABLE		
KEY A, BLACK	33482-4023	A-BLK	GCP	PLR	M			3	4										SALEABLE		
KEY A, BLACK	33482-4024	A-BLK	GCP	PLR	M			3											SALEABLE		
KEY A, BLACK	33482-4025	A-BLK	GCP	PLR	M	1	2												SALEABLE		
KEY C, DARK GRAY	33482-4103	C-DG	GCO	PLR	M														SALEABLE		
KEY D, STONE GRAY	33482-4104	D-SG	GCO	PLR	M														SALEABLE		
KEY C, DARK GRAY	33482-4105	C-DG	GCP	PLR	M		2												SALEABLE		
KEY D, STONE GRAY	33482-4106	D-SG	GCP	PLR	M		2												SALEABLE		
KEY C, DARK GRAY	33482-4107	C-DG	GCP	PLR	M		2	3											SALEABLE		
KEY D, STONE GRAY	33482-4108	D-SG	GCP	PLR	M		2	3											SALEABLE		
KEY C, DARK GRAY	33482-4109	C-DG	GCP	PLR	M	1	2	3	4										SALEABLE		
KEY D, STONE GRAY	33482-4110	D-SG	GCP	PLR	M	1	2	3	4										SALEABLE		
KEY A, BLACK	33482-4111	A-BLK	GCP	PLR	M		2		4										SALEABLE		
KEY A, YELLOW	33482-4112	A-YW	GCO	PLR	M														SALEABLE		
KEY B, LIGHT GRAY	33482-4113	B-LG	GCP	PLR	M	1													SALEABLE		
KEY A, BLACK	33482-4115	A-BLK	GCP	PLR	M	1		3											SALEABLE		
KEY C, DARK GRAY	33482-4116	C-DG	GCP	PLR	M		2		4										SALEABLE		
KEY B, LIGHT GRAY	33482-4117	B-LG	GCP	PLR	M		2		4										SALEABLE		
KEY B, LIGHT GRAY	33482-4118	B-LG	GCP	PLR	M				4										SALEABLE		
KEY A, BLACK	33482-4119	A-BLK	GCP	PLR	M	1			4										SALEABLE		



MX150 2X3 BLADE SEALED ASSEMBLY MAT SEAL
BOM AND PIN OUT SHEET



ABBREVIATION	DESCRIPTION	COLOR	MATERIAL
A-BLK	HOUSING, KEYING OPTION A	BLACK	SPS/NYLON GF20
B-LG	HOUSING, KEYING OPTION B	LIGHT GRAY	SPS/NYLON GF20
C-BR	HOUSING, KEYING OPTION C	BROWN	SPS/NYLON GF20
D-GR	HOUSING, KEYING OPTION D	GREEN	SPS/NYLON GF20
C-DG	HOUSING, KEYING OPTION C	DARK GRAY	SPS/NYLON GF20
D-SG	HOUSING, KEYING OPTION D	STONE GRAY	SPS/NYLON GF20
A-YW	HOUSING, KEYING OPTION A	YELLOW	SPS/NYLON GF20
GC	GROMMET CAP (STANDARD)	BLACK	SPS/NYLON GF20
GCL	GROMMET CAP (LENGTHENED)	BLACK	SPS/NYLON GF20
PLR	PLR	NATURAL	SPS/NYLON GF20
M	MAT SEAL	ROYAL BLUE	INHERENTLY LUBRICATED SILICONE

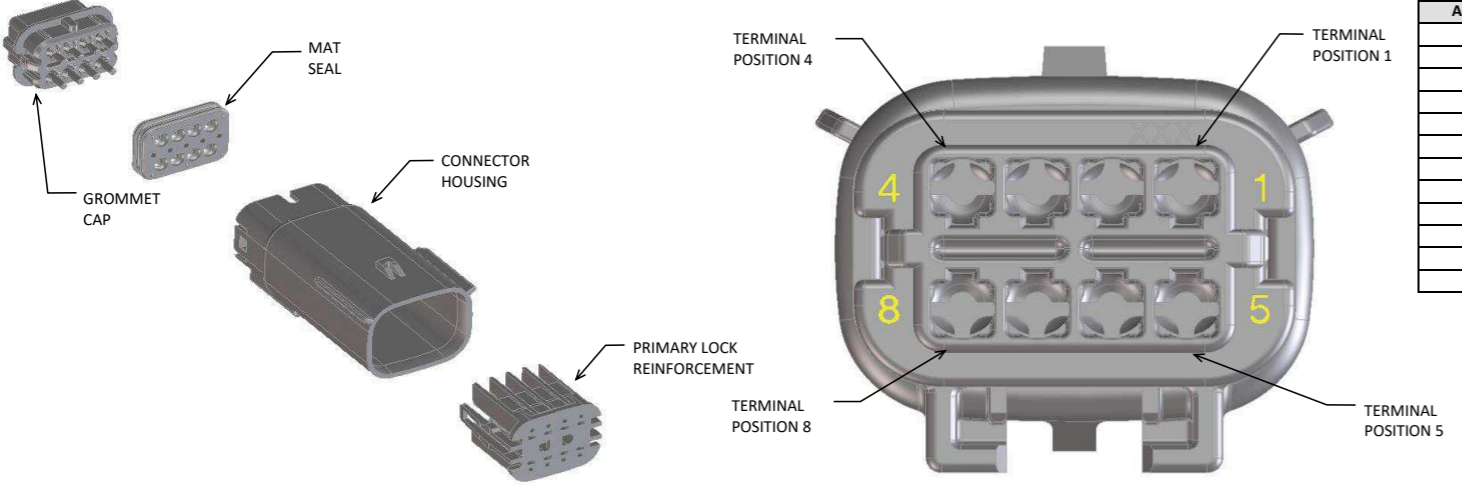
FOR ADDITIONAL INFORMATION SEE SD-33482-0001

ASSEMBLY DESCRIPTION	ASSEMBLY PART NUMBER	COMPONENT				BLOCKED TERMINALS													STATUS	COMMENTS	OPTIONAL ATTACHMENTS SOLD SEPERATELY				
		THE PRESENCE OF AN ABBREVIATION INDICATES THE PRESENCE OF THAT COMPONENT.				CAVITY WITH A NUMBER INDICATES BLOCKED TERMINAL POSITION CAVITY WITHOUT A NUMBER INDICATES OPEN TERMINAL POSITION															BACKSHELL WITH RIBS	BACKSHELL WITHOUT RIBS			
		HOUSING KEY/COLOR	GROMMET CAP	PLR	MAT SEAL	1	2	3	4	5	6														
KEY A, BLACK	33482-3601	A-BLK	GC	PLR	M																SALEABLE		34950-0610	34950-0620	
KEY B, LIGHT GRAY	33482-3602	B-LG	GC	PLR	M																	SALEABLE		34950-0610	34950-0620
KEY C, BROWN	33482-3603	C-BR	GC	PLR	M																	NOT RECOMMENDED	SEE 33482-3628	34950-0610	34950-0620
KEY D, GREEN	33482-3604	D-GR	GC	PLR	M																	NOT RECOMMENDED	SEE 33482-3629	34950-0610	34950-0620
VOID KEY	33482-3605																								
KEY A, BLACK	33482-3606	A-BLK	GC	PLR	M					3												SALEABLE		34950-0610	34950-0620
KEY B, LIGHT GRAY	33482-3607	B-LG	GC	PLR	M					3												SALEABLE		34950-0610	34950-0620
KEY C, BROWN	33482-3608	C-BR	GC	PLR	M					3												NOT RECOMMENDED	SEE 33482-3638	34950-0610	34950-0620
KEY D, GREEN	33482-3609	D-GR	GC	PLR	M					3												NOT RECOMMENDED	SEE 33482-3641	34950-0610	34950-0620
VOID KEY	33482-3610																								
KEY A, BLACK	33482-3611	A-BLK	GC	PLR	M					3	4											SALEABLE		34950-0610	34950-0620
KEY B, LIGHT GRAY	33482-3612	B-LG	GC	PLR	M					3	4											SALEABLE		34950-0610	34950-0620
KEY C, BROWN	33482-3613	C-BR	GC	PLR	M					3	4											NOT RECOMMENDED	SEE 33482-3642	34950-0610	34950-0620
KEY D, GREEN	33482-3614	D-GR	GC	PLR	M					3	4											NOT RECOMMENDED	SEE 33482-3643	34950-0610	34950-0620
VOID KEY	33482-3615																								
KEY A, BLACK	33482-3616	A-BLK	GC	PLR	M					3												SALEABLE		34950-0610	34950-0620
KEY A, BLACK	33482-3617	A-BLK	GC	PLR	M				2													SALEABLE		34950-0610	34950-0620
KEY A, BLACK	33482-3618	A-BLK	GC	PLR	M									5	6							SALEABLE		34950-0610	34950-0620
KEY A, BLACK	33482-3619	A-BLK	GC	PLR	M				2	3	4	5										SALEABLE		34950-0610	34950-0620
KEY A, BLACK	33482-3620	A-BLK	GC	PLR	M			1	2	3	4	5	6									SALEABLE		34950-0610	34950-0620
KEY A, BLACK	33482-3621	A-BLK	GC	PLR	M			1			4	5										SALEABLE		34950-0610	34950-0620
KEY A, BLACK	33482-3622	A-BLK	GC	PLR	M						4	5	6									SALEABLE		34950-0610	34950-0620
KEY A, BLACK	33482-3623	A-BLK	GC	PLR	M							5										SALEABLE		34950-0610	34950-0620
KEY A, BLACK	33482-3624	A-BLK	GC	PLR	M								6									SALEABLE		34950-0610	34950-0620
KEY B, LIGHT GRAY	33482-3625	B-LG	GC	PLR	M			1					5									SALEABLE		34950-0610	34950-0620
KEY A, BLACK	33482-3626	A-BLK	GC	PLR	M			1	2	3	4											SALEABLE		34950-0610	34950-0620
KEY A, BLACK	33482-3627	A-BLK	GC	PLR	M				2	3			5	6								SALEABLE		34950-0610	34950-0620
KEY C, DARK GRAY	33482-3628	C-DG	GC	PLR	M																	SALEABLE		34950-0610	34950-0620
KEY D, STONE GRAY	33482-3629	D-SG	GC	PLR	M																	SALEABLE		34950-0610	34950-0620
KEY A, BLACK	33482-3630	A-BLK	GC	PLR	M						3			6								SALEABLE		34950-0610	34950-0620
KEY A, BLACK	33482-3631	A-BLK	GCL	PLR	M																	SALEABLE		34950-0610	34950-0620
KEY B, LIGHT GRAY	33482-3632	B-LG	GCL	PLR	M																	SALEABLE		34950-0610	34950-0620
KEY C, DARK GRAY	33482-3633	C-DG	GCL	PLR	M																	SALEABLE		34950-0610	34950-0620
KEY D, STONE GRAY	33482-3634	D-SG	GCL	PLR	M																	SALEABLE		34950-0610	34950-0620
KEY C, DARK GRAY	33482-3635	C-DG	GCL	PLR	M						3											SALEABLE		34950-0610	34950-0620
KEY A, BLACK	33482-3636	A-BLK	GCL	PLR	M						3											SALEABLE		34950-0610	34950-0620
KEY A, BLACK	33482-3637	A-BLK	GC	PLR	M				2					6								SALEABLE		34950-0610	34950-0620
KEY C, DARK GRAY	33482-3638	C-DG	GC	PLR	M						3											SALEABLE		34950-0610	34950-0620
KEY A, BLACK	33482-3639	A-BLK	GCL	PLR	M			1	2	3	4	5	6									SALEABLE		34950-0610	34950-0620
KEY A, BLACK	33482-3640	A-BLK	GC	PLR	M																	SALEABLE		34950-0610	34950-0620
KEY D, STONE GRAY	33482-3641	D-SG	GC	PLR	M						3											SALEABLE		34950-0610	34950-0620
KEY C, DARK GRAY	33482-3642	C-DG	GC	PLR	M						3	4										SALEABLE		34950-0610	34950-0620
KEY D, STONE GRAY	33482-3643	D-SG	GC	PLR	M						3	4										SALEABLE		34950-0610	34950-0620
KEY A, YELLOW	33482-3644	A-YW	GC	PLR	M																	SALEABLE		34950-0610	34950-0620
KEY A, BLACK	33482-3645	A-BLK	GC	PLR	M						3	4	5	6								SALEABLE		34950-0610	34950-0620
KEY A, BLACK	33482-3646	A-BLK	GC	PLR	M				2	3												SALEABLE		34950-0610	34950-0620

**MX150 2X3 BLADE SEALED ASSEMBLY MAT SEAL
BOM AND PIN OUT SHEET**

ASSEMBLY DESCRIPTION	ASSEMBLY PART NUMBER	COMPONENT				BLOCKED TERMINALS										STATUS	COMMENTS	OPTIONAL ATTACHMENTS SOLD SEPERATELY			
		THE PRESENCE OF AN ABBREVIATION INDICATES THE PRESENCE OF THAT COMPONENT.				CAVITY WITH A NUMBER INDICATES BLOCKED TERMINAL POSITION CAVITY WITHOUT A NUMBER INDICATES OPEN TERMINAL POSITION												BACKSHELL WITH RIBS	BACKSHELL WITHOUT RIBS		
		HOUSING KEY/COLOR	GROMMET CAP	PLR	MAT SEAL	1	2	3	4	5	6										
KEY B, LIGHT GRAY	33482-3647	B-LG	GC	PLR	M		2	3										SALEABLE		34950-0610	34950-0620
KEY C, DARK GRAY	33482-3648	C-DG	GC	PLR	M						6							SALEABLE		34950-0610	34950-0620
KEY A, BLACK	33482-3649	A-BLK	GC	PLR	M				4		6							SALEABLE		34950-0610	34950-0620
KEY A, BLACK	33482-3650	A-BLK	GC	PLR	M	1		3		5								SALEABLE		34950-0610	34950-0620
KEY A, BLACK	33482-3651	A-BLK	GC	PLR	M		2		4		6							SALEABLE		34950-0610	34950-0620
KEY A, BLACK	33482-3652	A-BLK	GC	PLR	M	1					6							SALEABLE		34950-0610	34950-0620
KEY A, BLACK	33482-3653	A-BLK	GC	PLR	M		2			5								SALEABLE		34950-0610	34950-0620
KEY A, BLACK	33482-3654	A-BLK	GC	PLR	M	1		3	4									SALEABLE		34950-0610	34950-0620
KEY A, BLACK	33482-3655	A-BLK	GC	PLR	M	1	2	3		5	6							SALEABLE		34950-0610	34950-0620
KEY A, BLACK	33482-3656	A-BLK	GC	PLR	M	1	2	3										SALEABLE		34950-0610	34950-0620
KEY A, BLACK	33482-3657	A-BLK	GC	PLR	M				4	5								SALEABLE		34950-0610	34950-0620
KEY A, BLACK	33482-3658	A-BLK	GC	PLR	M	1												SALEABLE		34950-0610	34950-0620
KEY B, LIGHT GRAY	33482-3659	B-LG	GC	PLR	M	1												SALEABLE		34950-0610	34950-0620
KEY B, LIGHT GRAY	33482-3660	B-LG	GC	PLR	M					5								SALEABLE		34950-0610	34950-0620
KEY A, BLACK	33482-3661	A-BLK	GC	PLR	M	1				5								SALEABLE		34950-0610	34950-0620
KEY A, BLACK	33482-3662	A-BLK	GC	PLR	M			3	4		6							SALEABLE		34950-0610	34950-0620
KEY B, LIGHT GRAY	33482-3663	B-LG	GC	PLR	M					5	6							SALEABLE		34950-0610	34950-0620

BOM AND PIN OUT SHEET



ABBREVIATION	DESCRIPTION	COLOR	MATERIAL
A-BLK	HOUSING, KEYING OPTION A	BLACK	SPS/NYLON GF20
B-LG	HOUSING, KEYING OPTION B	LIGHT GRAY	SPS/NYLON GF20
C-BR	HOUSING, KEYING OPTION C	BROWN	SPS/NYLON GF20
D-GR	HOUSING, KEYING OPTION D	GREEN	SPS/NYLON GF20
C-DG	HOUSING, KEYING OPTION C	DARK GRAY	SPS/NYLON GF20
D-SG	HOUSING, KEYING OPTION D	STONE GRAY	SPS/NYLON GF20
A-YW	HOUSING, KEYING OPTION A	YELLOW	SPS/NYLON GF20
GCP	GROMMET CAP (PLUGGED)	BLACK	SPS/NYLON GF20
GCO	GROMMET CAP (OPEN)	BLACK	SPS/NYLON GF20
PLR	PLR	NATURAL	SPS/NYLON GF20
M-R	MAT SEAL	RUST RED	INHERENTLY LUBRICATED SILICONE
M-B	MAT SEAL	ROYAL BLUE	INHERENTLY LUBRICATED SILICONE

FOR ADDITIONAL INFORMATION SEE SD-33482-0001

ASSEMBLY DESCRIPTION	ASSEMBLY PART NUMBER	COMPONENT					BLOCKED TERMINALS								STATUS	COMMENTS	OPTIONAL ATTACHMENTS SOLD SEPERATELY				
		THE PRESENCE OF AN ABBREVIATION INDICATES THE PRESENCE OF THAT COMPONENT.					CAVITY WITH A NUMBER INDICATES BLOCKED TERMINAL POSITION CAVITY WITHOUT A NUMBER INDICATES OPEN TERMINAL POSITION										BACKSHELL WITH RIBS	BACKSHELL WITHOUT RIBS	90° ADAPTOR WITH RIBS	90° ADAPTOR WITHOUT RIBS	
		HOUSING KEY/COLOR	GROMMET CAP	PLR	MAT SEAL	1	2	3	4	5	6	7	8								
KEY A, BLACK	33482-0801	A-BLK	GCO	PLR	M-R											PLANNED OBSOLESCENCE	SEE 33482-4801	34950-0811	34950-0821	34951-0831	34951-0841
KEY B, LIGHT GRAY	33482-0802	B-LG	GCO	PLR	M-R											PLANNED OBSOLESCENCE	SEE 33482-4802	34950-0811	34950-0821	34951-0831	34951-0841
KEY C, BROWN	33482-0803	C-BR	GCO	PLR	M-R											PLANNED OBSOLESCENCE	SEE 33482-4803	34950-0811	34950-0821	34951-0831	34951-0841
KEY D, GREEN	33482-0804	D-GR	GCO	PLR	M-R											PLANNED OBSOLESCENCE	SEE 33482-4804	34950-0811	34950-0821	34951-0831	34951-0841
VOID KEY	33482-0805																				
KEY A, BLACK	33482-0806	A-BLK	GCP	PLR	M-R				4							PLANNED OBSOLESCENCE	SEE 33482-4806	34950-0811	34950-0821	34951-0831	34951-0841
KEY B, LIGHT GRAY	33482-0807	B-LG	GCP	PLR	M-R				4							PLANNED OBSOLESCENCE	SEE 33482-4807	34950-0811	34950-0821	34951-0831	34951-0841
KEY C, BROWN	33482-0808	C-BR	GCP	PLR	M-R				4							PLANNED OBSOLESCENCE	SEE 33482-4808	34950-0811	34950-0821	34951-0831	34951-0841
KEY D, GREEN	33482-0809	D-GR	GCP	PLR	M-R				4							PLANNED OBSOLESCENCE	SEE 33482-4809	34950-0811	34950-0821	34951-0831	34951-0841
VOID KEY	33482-0810																				
KEY A, BLACK	33482-0811	A-BLK	GCP	PLR	M-R				4	5						PLANNED OBSOLESCENCE	SEE 33482-4811	34950-0811	34950-0821	34951-0831	34951-0841
KEY B, LIGHT GRAY	33482-0812	B-LG	GCP	PLR	M-R				4	5						PLANNED OBSOLESCENCE	SEE 33482-4812	34950-0811	34950-0821	34951-0831	34951-0841
KEY C, BROWN	33482-0813	C-BR	GCP	PLR	M-R				4	5						PLANNED OBSOLESCENCE	SEE 33482-4813	34950-0811	34950-0821	34951-0831	34951-0841
KEY D, GREEN	33482-0814	D-GR	GCP	PLR	M-R				4	5						PLANNED OBSOLESCENCE	SEE 33482-4814	34950-0811	34950-0821	34951-0831	34951-0841
VOID KEY	33482-0815																				
KEY A, BLACK	33482-0816	A-BLK	GCP	PLR	M-R	1			4	5						PLANNED OBSOLESCENCE	SEE 33482-4816	34950-0811	34950-0821	34951-0831	34951-0841
KEY B, LIGHT GRAY	33482-0817	B-LG	GCP	PLR	M-R	1			4	5						PLANNED OBSOLESCENCE	SEE 33482-4817	34950-0811	34950-0821	34951-0831	34951-0841
KEY C, BROWN	33482-0818	C-BR	GCP	PLR	M-R	1			4	5						PLANNED OBSOLESCENCE	SEE 33482-4818	34950-0811	34950-0821	34951-0831	34951-0841
KEY D, GREEN	33482-0819	D-GR	GCP	PLR	M-R	1			4	5						PLANNED OBSOLESCENCE	SEE 33482-4819	34950-0811	34950-0821	34951-0831	34951-0841
VOID KEY	33482-0820																				
KEY A, BLACK	33482-0821	A-BLK	GCP	PLR	M-R	1			4	5			8			PLANNED OBSOLESCENCE	SEE 33482-4821	34950-0811	34950-0821	34951-0831	34951-0841
KEY B, LIGHT GRAY	33482-0822	B-LG	GCP	PLR	M-R	1			4	5			8			PLANNED OBSOLESCENCE	SEE 33482-4822	34950-0811	34950-0821	34951-0831	34951-0841
KEY C, BROWN	33482-0823	C-BR	GCP	PLR	M-R	1			4	5			8			PLANNED OBSOLESCENCE	SEE 33482-4823	34950-0811	34950-0821	34951-0831	34951-0841
KEY D, GREEN	33482-0824	D-GR	GCP	PLR	M-R	1			4	5			8			PLANNED OBSOLESCENCE	SEE 33482-4824	34950-0811	34950-0821	34951-0831	34951-0841
VOID KEY	33482-0825																				
KEY A, BLACK	33482-0826	A-BLK	GCP	PLR	M-R	1	2	3			6	7	8			PLANNED OBSOLESCENCE	SEE 33482-4826	34950-0811	34950-0821	34951-0831	34951-0841
KEY A, BLACK	33482-0827	A-BLK	GCP	PLR	M-R								8			PLANNED OBSOLESCENCE	SEE 33482-4827	34950-0811	34950-0821	34951-0831	34951-0841
KEY A, BLACK	33482-0828	A-BLK	GCP	PLR	M-R			3		5						PLANNED OBSOLESCENCE	SEE 33482-4828	34950-0811	34950-0821	34951-0831	34951-0841
KEY A, BLACK	33482-0829	A-BLK	GCP	PLR	M-R		2	3	4	5	6	7				PLANNED OBSOLESCENCE	SEE 33482-4829	34950-0811	34950-0821	34951-0831	34951-0841
KEY A, BLACK	33482-0830	A-BLK	GCP	PLR	M-R						6					PLANNED OBSOLESCENCE	SEE 33482-4830	34950-0811	34950-0821	34951-0831	34951-0841
KEY A, BLACK	33482-0831	A-BLK	GCP	PLR	M-R			3		5	6					PLANNED OBSOLESCENCE	SEE 33482-4831	34950-0811	34950-0821	34951-0831	34951-0841
KEY A, BLACK	33482-0832	A-BLK	GCP	PLR	M-R					5	6		8			PLANNED OBSOLESCENCE	SEE 33482-4832	34950-0811	34950-0821	34951-0831	34951-0841
KEY A, BLACK	33482-0833	A-BLK	GCP	PLR	M-R	1			3	5						PLANNED OBSOLESCENCE	SEE 33482-4833	34950-0811	34950-0821	34951-0831	34951-0841
KEY A, BLACK	33482-0834	A-BLK	GCP	PLR	M-R	1	2	3	4	5	6	7	8			PLANNED OBSOLESCENCE	SEE 33482-4834	34950-0811	34950-0821	34951-0831	34951-0841
KEY A, BLACK	33482-0835	A-BLK	GCP	PLR	M-R							7	8			PLANNED OBSOLESCENCE	SEE 33482-4835	34950-0811	34950-0821	34951-0831	34951-0841
KEY A, BLACK	33482-0836	A-BLK	GCP	PLR	M-R			2	3		6	7	8			PLANNED OBSOLESCENCE	SEE 33482-4836	34950-0811	34950-0821	34951-0831	34951-0841
KEY A, BLACK	33482-0837	A-BLK	GCP	PLR	M-R	1			4							PLANNED OBSOLESCENCE	SEE 33482-4837	34950-0811	34950-0821	34951-0831	34951-0841
KEY A, BLACK	33482-0838	A-BLK	GCP	PLR	M-R		2	3		5	6	7	8			PLANNED OBSOLESCENCE	SEE 33482-4838	34950-0811	34950-0821	34951-0831	34951-0841
KEY B, LIGHT GRAY	33482-0839	B-LG	GCP	PLR	M-R								8			PLANNED OBSOLESCENCE	SEE 33482-4839	34950-0811	34950-0821	34951-0831	34951-0841
KEY A, BLACK	33482-0840	A-BLK	GCP	PLR	M-R		2	3		5	6		8			PLANNED OBSOLESCENCE	SEE 33482-4840	34950-0811	34950-0821	34951-0831	34951-0841
KEY A, BLACK	33482-0841	A-BLK	GCP	PLR	M-R						6	7				PLANNED OBSOLESCENCE	SEE 33482-4841	34950-0811	34950-0821	34951-0831	34951-0841
KEY A, BLACK	33482-0842	A-BLK	GCP	PLR	M-R							7				PLANNED OBSOLESCENCE	SEE 33482-4842	34950-0811	34950-0821	34951-0831	34951-0841
KEY A, BLACK	33482-0843	A-BLK	GCP	PLR	M-R				4			7				PLANNED OBSOLESCENCE	SEE 33482-4843	34950-0811	34950-0821	34951-0831	34951-0841
KEY A, BLACK	33482-0844	A-BLK	GCP	PLR	M-R			3		6						PLANNED OBSOLESCENCE	SEE 33482-4844	34950-0811	34950-0821	34951-0831	34951-0841
KEY A, BLACK	33482-0845	A-BLK	GCP	PLR	M-R		2	3	4	5	6					PLANNED OBSOLESCENCE	SEE 33482-4845	34950-0811	34950-0821	34951-0831	34951-0841
KEY A, BLACK	33482-0846	A-BLK	GCP	PLR	M-R				4	5		7	8			PLANNED OBSOLESCENCE	SEE 33482-4846	34950-0811	34950-0821	34951-0831	34951-0841
KEY B, LIGHT GRAY	33482-0847	B-LG	GCP	PLR	M-R	1	2	3	4	5	6	7	8			PLANNED OBSOLESCENCE	SEE 33482-4847	34950-0811	34950-0821	34951-0831	34951-0841
KEY A, BLACK	33482-0848	A-BLK	GCP	PLR	M-R	1				5						PLANNED OBSOLESCENCE	SEE 33482-4848	34950-0811	34950-0821	34951-0831	34951-0841
KEY B, LIGHT GRAY	33482-0849	B-LG	GCP	PLR	M-R	1					6					PLANNED OBSOLESCENCE	SEE 33482-4849	34950-0811	34950-0821	34951-0831	34951-0841
KEY A, YELLOW	33482-0850	A-YW	GCP	PLR	M-R	1			4							PLANNED OBSOLESCENCE	SEE 33482-4850	34950-0811	34950-0821	34951-0831	34951-0841
KEY A, YELLOW	33482-0851	A-YW	GCO	PLR	M-R											PLANNED OBSOLESCENCE	SEE 33482-4851	34950-0811	34950-0821	34951-0831	34951-0841
KEY C, DARK GRAY	33482-0852	C-DG	GCO	PLR	M-R											PLANNED OBSOLESCENCE	SEE 33482-4852	34950-0811	34950-0821	34951-0831	34951-0841
KEY D, STONE GRAY	33482-0853	D-SG	GCO	PLR	M-R											PLANNED OBSOLESCENCE	SEE 33482-4853	34950-0811	34950-0821	34951-0831	34951-0841

MX150 2X4 BLADE SEALED ASSEMBLY MAT SEAL
BOM AND PIN OUT SHEET

ASSEMBLY DESCRIPTION	ASSEMBLY PART NUMBER	COMPONENT				BLOCKED TERMINALS												STATUS	COMMENTS	OPTIONAL ATTACHMENTS SOLD SEPERATELY						
		THE PRESENCE OF AN ABBREVIATION INDICATES THE PRESENCE OF THAT COMPONENT.				CAVITY WITH A NUMBER INDICATES BLOCKED TERMINAL POSITION CAVITY WITHOUT A NUMBER INDICATES OPEN TERMINAL POSITION														BACKSHELL WITH RIBS	BACKSHELL WITHOUT RIBS	90° ADAPTOR WITH RIBS	90° ADAPTOR WITHOUT RIBS			
		HOUSING KEY/COLOR	GROMMET CAP	PLR	MAT SEAL	1	2	3	4	5	6	7	8	9	10	11	12									
KEY A, BLACK	33482-0854	A-BLK	GCP	PLR	M-R	1	2	3	4												PLANNED OBSOLESCENCE	SEE 33482-4854	34950-0811	34950-0821	34951-0831	34951-0841
KEY A, BLACK	33482-0855	A-BLK	GCP	PLR	M-R	1	2						5	6	7	8					PLANNED OBSOLESCENCE	SEE 33482-4855	34950-0811	34950-0821	34951-0831	34951-0841
KEY A, BLACK	33482-0856	A-BLK	GCP	PLR	M-R	1	2														PLANNED OBSOLESCENCE	SEE 33482-4856	34950-0811	34950-0821	34951-0831	34951-0841
KEY A, BLACK	33482-0857	A-BLK	GCP	PLR	M-R	1	2	3					5								PLANNED OBSOLESCENCE	SEE 33482-4857	34950-0811	34950-0821	34951-0831	34951-0841
KEY A, BLACK	33482-0858	A-BLK	GCP	PLR	M-R	1	2	3	4	5						8					PLANNED OBSOLESCENCE	SEE 33482-4858	34950-0811	34950-0821	34951-0831	34951-0841
KEY A, BLACK	33482-0859	A-BLK	GCP	PLR	M-R	1		3					5	6	7						PLANNED OBSOLESCENCE	SEE 33482-4859	34950-0811	34950-0821	34951-0831	34951-0841
KEY A, BLACK	33482-0860	A-BLK	GCP	PLR	M-R	1	2	3	4	5	6										PLANNED OBSOLESCENCE	SEE 33482-4860	34950-0811	34950-0821	34951-0831	34951-0841
KEY A, BLACK	33482-0861	A-BLK	GCP	PLR	M-R	1	2	3					6								PLANNED OBSOLESCENCE	SEE 33482-4861	34950-0811	34950-0821	34951-0831	34951-0841
KEY A, BLACK	33482-0862	A-BLK	GCP	PLR	M-R	1							6								PLANNED OBSOLESCENCE	SEE 33482-4862	34950-0811	34950-0821	34951-0831	34951-0841
KEY A, BLACK	33482-0863	A-BLK	GCP	PLR	M-R	1							6	7	8						PLANNED OBSOLESCENCE	SEE 33482-4863	34950-0811	34950-0821	34951-0831	34951-0841
KEY A, BLACK	33482-0864	A-BLK	GCP	PLR	M-R			3	4	5	6	7	8								PLANNED OBSOLESCENCE	SEE 33482-4864	34950-0811	34950-0821	34951-0831	34951-0841
KEY A, BLACK	33482-0865	A-BLK	GCP	PLR	M-R				4						7	8					PLANNED OBSOLESCENCE	SEE 33482-4865	34950-0811	34950-0821	34951-0831	34951-0841
KEY A, BLACK	33482-0866	A-BLK	GCP	PLR	M-R				4	5	6	7	8								PLANNED OBSOLESCENCE	SEE 33482-4866	34950-0811	34950-0821	34951-0831	34951-0841
KEY A, BLACK	33482-0867	A-BLK	GCP	PLR	M-R		2	3	4				6	7	8						PLANNED OBSOLESCENCE	SEE 33482-4867	34950-0811	34950-0821	34951-0831	34951-0841
KEY A, BLACK	33482-0868	A-BLK	GCP	PLR	M-R						5	6	7								PLANNED OBSOLESCENCE	SEE 33482-4868	34950-0811	34950-0821	34951-0831	34951-0841
KEY A, BLACK	33482-0869	A-BLK	GCP	PLR	M-R			3	4												PLANNED OBSOLESCENCE	SEE 33482-4869	34950-0811	34950-0821	34951-0831	34951-0841
KEY A, BLACK	33482-0870	A-BLK	GCP	PLR	M-R							6	7	8							PLANNED OBSOLESCENCE	SEE 33482-4870	34950-0811	34950-0821	34951-0831	34951-0841
KEY B, LIGHT GRAY	33482-0871	B-LG	GCP	PLR	M-R										7	8					PLANNED OBSOLESCENCE	SEE 33482-4871	34950-0811	34950-0821	34951-0831	34951-0841
KEY A, BLACK	33482-0872	A-BLK	GCP	PLR	M-R	1										8					PLANNED OBSOLESCENCE	SEE 33482-4872	34950-0811	34950-0821	34951-0831	34951-0841
KEY A, BLACK	33482-0873	A-BLK	GCP	PLR	M-R								6								PLANNED OBSOLESCENCE	SEE 33482-4873	34950-0811	34950-0821	34951-0831	34951-0841
KEY A, BLACK	33482-0874	A-BLK	GCP	PLR	M-R		2						5								PLANNED OBSOLESCENCE	SEE 33482-4874	34950-0811	34950-0821	34951-0831	34951-0841
KEY A, BLACK	33482-0875	A-BLK	GCP	PLR	M-R								5								PLANNED OBSOLESCENCE	SEE 33482-4875	34950-0811	34950-0821	34951-0831	34951-0841
KEY B, LIGHT GRAY	33482-0876	B-LG	GCP	PLR	M-R	1		3								8					PLANNED OBSOLESCENCE	SEE 33482-4876	34950-0811	34950-0821	34951-0831	34951-0841
KEY B, LIGHT GRAY	33482-0877	B-LG	GCP	PLR	M-R			3								8					PLANNED OBSOLESCENCE	SEE 33482-4877	34950-0811	34950-0821	34951-0831	34951-0841
KEY B, LIGHT GRAY	33482-0878	B-LG	GCP	PLR	M-R	1															PLANNED OBSOLESCENCE	SEE 33482-4878	34950-0811	34950-0821	34951-0831	34951-0841
KEY A, BLACK	33482-0879	A-BLK	GCP	PLR	M-R	1	2	3	4	5					7						PLANNED OBSOLESCENCE	SEE 33482-4879	34950-0811	34950-0821	34951-0831	34951-0841
KEY A, BLACK	33482-0880	A-BLK	GCP	PLR	M-R	1															PLANNED OBSOLESCENCE	SEE 33482-4880	34950-0811	34950-0821	34951-0831	34951-0841
KEY A, BLACK	33482-0881	A-BLK	GCP	PLR	M-R								5								PLANNED OBSOLESCENCE	SEE 33482-4881	34950-0811	34950-0821	34951-0831	34951-0841
KEY A, BLACK	33482-0882	A-BLK	GCP	PLR	M-R				4				6								PLANNED OBSOLESCENCE	SEE 33482-4882	34950-0811	34950-0821	34951-0831	34951-0841
KEY A, BLACK	33482-0883	A-BLK	GCP	PLR	M-R	1									7						PLANNED OBSOLESCENCE	SEE 33482-4883	34950-0811	34950-0821	34951-0831	34951-0841
KEY A, BLACK	33482-0884	A-BLK	GCP	PLR	M-R	1	2	3	4						7						PLANNED OBSOLESCENCE	SEE 33482-4884	34950-0811	34950-0821	34951-0831	34951-0841
KEY A, BLACK	33482-0885	A-BLK	GCP	PLR	M-R	1	2						5	6							PLANNED OBSOLESCENCE	SEE 33482-4885	34950-0811	34950-0821	34951-0831	34951-0841
KEY A, BLACK	33482-0886	A-BLK	GCP	PLR	M-R		2	3								8					PLANNED OBSOLESCENCE	SEE 33482-4886	34950-0811	34950-0821	34951-0831	34951-0841
KEY A, BLACK	33482-0887	A-BLK	GCP	PLR	M-R	1			3						7	8					PLANNED OBSOLESCENCE	SEE 33482-4887	34950-0811	34950-0821	34951-0831	34951-0841
KEY A, BLACK	33482-0888	A-BLK	GCP	PLR	M-R				4	5	6										PLANNED OBSOLESCENCE	SEE 33482-4888	34950-0811	34950-0821	34951-0831	34951-0841
KEY A, BLACK	33482-0889	A-BLK	GCP	PLR	M-R	1	2		4	5	6					8					PLANNED OBSOLESCENCE	SEE 33482-4889	34950-0811	34950-0821	34951-0831	34951-0841
KEY A, BLACK	33482-0892	A-BLK	GCP	PLR	M-R		2	3								8					PLANNED OBSOLESCENCE	SEE 33482-4892	34950-0811	34950-0821	34951-0831	34951-0841
KEY A, BLACK	33482-0893	A-BLK	GCP	PLR	M-R	1	2	3	4	5					7	8					PLANNED OBSOLESCENCE	SEE 33482-4893	34950-0811	34950-0821	34951-0831	34951-0841
KEY A, BLACK	33482-0894	A-BLK	GCP	PLR	M-R			3	4	5					7						PLANNED OBSOLESCENCE	SEE 33482-4894	34950-0811	34950-0821	34951-0831	34951-0841
KEY A, BLACK	33482-0895	A-BLK	GCP	PLR	M-R										7						PLANNED OBSOLESCENCE	SEE 33482-4895	34950-0811	34950-0821	34951-0831	34951-0841
KEY A, BLACK	33482-0896	A-BLK	GCP	PLR	M-R	1	2		4	5					7						PLANNED OBSOLESCENCE	SEE 33482-4896	34950-0811	34950-0821	34951-0831	34951-0841
KEY A, BLACK	33482-0897	A-BLK	GCP	PLR	M-R				4	5					7						PLANNED OBSOLESCENCE	SEE 33482-4897	34950-0811	34950-0821	34951-0831	34951-0841
KEY A, BLACK	33482-0898	A-BLK	GCP	PLR	M-R		2														PLANNED OBSOLESCENCE	SEE 33482-4898	34950-0811	34950-0821	34951-0831	34951-0841
KEY A, BLACK	33482-0899	A-BLK	GCP	PLR	M-R	1		3	4	5	6	7	8								PLANNED OBSOLESCENCE	SEE 33482-4899	34950-0811	34950-0821	34951-0831	34951-0841
KEY A, BLACK	33482-4801	A-BLK	GCO	PLR	M-B																SALEABLE		34950-0811	34950-0821	34951-0831	34951-0841
KEY B, LIGHT GRAY	33482-4802	B-LG	GCO	PLR	M-B																SALEABLE		34950-0811	34950-0821	34951-0831	34951-0841
KEY C, BROWN	33482-4803	C-BR	GCO	PLR	M-B																NOT RECOMMENDED	SEE 33482-4852	34950-0811	34950-0821	34951-0831	34951-0841
KEY D, GREEN	33482-4804	D-GR	GCO	PLR	M-B																NOT RECOMMENDED	SEE 33482-4853	34950-0811	34950-0821	34951-0831	34951-0841
VOID KEY	33482-4805																									
KEY A, BLACK	33482-4806	A-BLK	GCP	PLR	M-B				4												SALEABLE		34950-0811	34950-0821	34951-0831	34951-0841
KEY B, LIGHT GRAY	33482-4807	B-LG	GCP	PLR	M-B				4												SALEABLE		34950-0811	34950-0821	34951-0831	34951-0841
KEY C, BROWN	33482-4808	C-BR	GCP	PLR	M-B				4												NOT RECOMMENDED		34950-0811	34950-0821	34951-0831	34951-0841
KEY D, GREEN	33482-4809	D-GR	GCP	PLR	M-B				4												NOT RECOMMENDED		34950-0811	34950-0821	34951-0831	34951-0841
VOID KEY	33482-4810																									
KEY A, BLACK	33482-4811	A-BLK	GCP	PLR	M-B				4	5											SALEABLE		34950-0811	34950-0821	34951-0831	34951-0841
KEY B, LIGHT GRAY	33482-4812	B-LG	GCP	PLR	M-B				4	5											SALEABLE		34950-0811	34950-0821	34951-0831	34951-0841
KEY C, BROWN	33482-4813	C-BR	GCP	PLR	M-B				4	5											NOT RECOMMENDED		34950-0811	34950-0821	34951-0831	34951-0841
KEY D, GREEN	33482-4814	D-GR	GCP	PLR	M-B				4	5											NOT RECOMMENDED		34950-0811	34950-0821		

MX150 2X6 BLADE SEALED ASSY MAT SEAL
BOM AND PIN OUT SHEET

Table with columns: ASSEMBLY DESCRIPTION, ASSEMBLY PART NUMBER, COMPONENT (HOUSING KEY/COLOR, GROMMET CAP, PLR, MAT SEAL), BLOCKED TERMINALS (1-12), STATUS, COMMENTS, and OPTIONAL ATTACHMENTS SOLD SEPERATELY (BACKSHELL WITH RIBS, BACKSHELL WITHOUT RIBS). Rows list various assembly parts like KEY A, BLACK and KEY B, LIGHT GRAY with their respective specifications and terminal configurations.

MX150 2X8 BLADE SEALED ASSY MAT SEAL
BOM AND PIN OUT SHEET

Table with columns: ASSEMBLY DESCRIPTION, ASSEMBLY PART NUMBER, COMPONENT (HOUSING KEY/COLOR, GROMMET CAP, PLR, MAT SEAL), BLOCKED TERMINALS (1-16), STATUS, COMMENTS, and OPTIONAL ATTACHMENTS SOLD SEPARATELY (BACKSHELL WITH RIBS, BACKSHELL WITHOUT RIBS, 90° ADAPTOR WITH RIBS, 90° ADAPTOR WITHOUT RIBS).

MX150 2X8 BLADE SEALED ASSY MAT SEAL
BOM AND PIN OUT SHEET

Table with columns: ASSEMBLY DESCRIPTION, ASSEMBLY PART NUMBER, COMPONENT (HOUSING KEY/COLOR, GROMMET CAP, PLR, MAT SEAL), BLOCKED TERMINALS (1-16), STATUS, COMMENTS, and OPTIONAL ATTACHMENTS SOLD SEPERATELY (BACKSHELL WITH RIBS, BACKSHELL WITHOUT RIBS, 90° ADAPTOR WITH RIBS, 90° ADAPTOR WITHOUT RIBS).

MX150 2X8 BLADE SEALED ASSY MAT SEAL
BOM AND PIN OUT SHEET

Table with columns: ASSEMBLY DESCRIPTION, ASSEMBLY PART NUMBER, COMPONENT (HOUSING KEY/COLOR, GROMMET CAP, PLR, MAT SEAL), BLOCKED TERMINALS (1-16), STATUS, COMMENTS, and OPTIONAL ATTACHMENTS SOLD SEPARATELY (BACKSHELL WITH RIBS, BACKSHELL WITHOUT RIBS, 90° ADAPTOR WITH RIBS, 90° ADAPTOR WITHOUT RIBS). Rows list various components like KEY A, BLACK and KEY B, LIGHT GRAY with their respective part numbers and terminal configurations.

MX150 2X8 BLADE SEALED ASSY MAT SEAL
BOM AND PIN OUT SHEET

Table with columns: ASSEMBLY DESCRIPTION, ASSEMBLY PART NUMBER, COMPONENT (HOUSING KEY/COLOR, GROMMET CAP, PLR, MAT SEAL), BLOCKED TERMINALS (1-16), STATUS, COMMENTS, and OPTIONAL ATTACHMENTS SOLD SEPARATELY (BACKSHELL WITH RIBS, BACKSHELL WITHOUT RIBS, 90° ADAPTOR WITH RIBS, 90° ADAPTOR WITHOUT RIBS).

MX150 2X8 BLADE SEALED ASSY MAT SEAL
BOM AND PIN OUT SHEET

Table with columns: ASSEMBLY DESCRIPTION, ASSEMBLY PART NUMBER, COMPONENT (HOUSING KEY/COLOR, GROMMET CAP, PLR, MAT SEAL), BLOCKED TERMINALS (1-16), STATUS, COMMENTS, and OPTIONAL ATTACHMENTS SOLD SEPARATELY (BACKSHELL WITH RIBS, BACKSHELL WITHOUT RIBS, 90° ADAPTOR WITH RIBS, 90° ADAPTOR WITHOUT RIBS).

**MX150 2X8 BLADE SEALED ASSY MAT SEAL
BOM AND PIN OUT SHEET**

ASSEMBLY DESCRIPTION	ASSEMBLY PART NUMBER	COMPONENT				BLOCKED TERMINALS																STATUS	COMMENTS	OPTIONAL ATTACHMENTS SOLD SEPERATELY			
		THE PRESENCE OF AN ABBREVIATION INDICATES THE PRESENCE OF THAT COMPONENT.				CAVITY WITH A NUMBER INDICATES BLOCKED TERMINAL POSITION CAVITY WITHOUT A NUMBER INDICATES OPEN TERMINAL POSITION																		BACKSHELL WITH RIBS	BACKSHELL WITHOUT RIBS	90° ADAPTOR WITH RIBS	90° ADAPTOR WITHOUT RIBS
		HOUSING KEY/COLOR	GROMMET CAP	PLR	MAT SEAL	1	2	3	4	5	6	7	8	9	10	11	12	13	14	15	16						
KEY A, BLACK	33482-8920	A-BLK	GCP	PLR	M-B				4			7	8		10		12			15	16	SALEABLE		34950-1611	34950-1621	34951-1631	34951-1641
KEY A, BLACK	33482-8921	A-BLK	GCP	PLR	M-B				4			7	8	9		12						SALEABLE		34950-1611	34950-1621	34951-1631	34951-1641
KEY A, BLACK	33482-8922	A-BLK	GCP	PLR	M-B					6	7	8		10	11	12				15	16	SALEABLE		34950-1611	34950-1621	34951-1631	34951-1641

MX150 2X10 BLADE SEALED ASSY MAT SEAL
BOM AND PIN OUT SHEET

ASSEMBLY DESCRIPTION	ASSEMBLY PART NUMBER	COMPONENT				BLOCKED TERMINALS																				STATUS	COMMENTS	OPTIONAL ATTACHMENTS SOLD SEPERATELY									
		HOUSING KEY/COLOR	GROMMET CAP	PLR	MAT SEAL	CAVITY WITH A NUMBER INDICATES BLOCKED TERMINAL POSITION CAVITY WITHOUT A NUMBER INDICATES OPEN TERMINAL POSITION																															
						1	2	3	4	5	6	7	8	9	10	11	12	13	14	15	16	17	18	19	20			BACKSHELL WITH RIBS	BACKSHELL WITHOUT RIBS	90° ADAPTOR WITH RIBS	90° ADAPTOR WITHOUT RIBS						
KEY A, BLACK	33482-2082	A-BLK	GCP	PLR	M-R	1		3	4								8	9	10	11			13	14			18	19	20	OBSOLETE	SEE 33482-2182	34950-2011	34950-2021	34951-1631	34951-1641		
KEY A, BLACK	33482-2083	A-BLK	GCP	PLR	M-R	1											8	9	10	11								19	20	OBSOLETE	SEE 33482-2183	34950-2011	34950-2021	34951-1631	34951-1641		
KEY A, BLACK	33482-2084	A-BLK	GCP	PLR	M-R	1																									OBSOLETE	SEE 33482-2184	34950-2011	34950-2021	34951-1631	34951-1641	
KEY A, BLACK	33482-2085	A-BLK	GCP	PLR	M-R	1																						19			OBSOLETE	SEE 33482-2185	34950-2011	34950-2021	34951-1631	34951-1641	
KEY A, BLACK	33482-2086	A-BLK	GCP	PLR	M-R	1		2	3																				19	20	OBSOLETE	SEE 33482-2186	34950-2011	34950-2021	34951-1631	34951-1641	
KEY A, BLACK	33482-2087	A-BLK	GCP	PLR	M-R	1														12	13										OBSOLETE	SEE 33482-2187	34950-2011	34950-2021	34951-1631	34951-1641	
KEY A, BLACK	33482-2088	A-BLK	GCP	PLR	M-R	1																							19			OBSOLETE	SEE 33482-2188	34950-2011	34950-2021	34951-1631	34951-1641
KEY A, BLACK	33482-2089	A-BLK	GCP	PLR	M-R	1	2	3	4	5	6	7	8	9							12	13	14	15	16						OBSOLETE	SEE 33482-2189	34950-2011	34950-2021	34951-1631	34951-1641	
KEY A, BLACK	33482-2090	A-BLK	GCP	PLR	M-R	1	2	3	4	5	6	7	8	9	10	11	12	13	14	15	16							19	20		OBSOLETE	SEE 33482-2190	34950-2011	34950-2021	34951-1631	34951-1641	
KEY A, BLACK	33482-2101	A-BLK	GCO	PLR	M-B																										SALEABLE		34950-2011	34950-2021	34951-1631	34951-1641	
KEY B, LIGHT GRAY	33482-2102	B-LG	GCO	PLR	M-B																										SALEABLE		34950-2011	34950-2021	34951-1631	34951-1641	
KEY C, BROWN	33482-2103	C-BR	GCO	PLR	M-B																										NOT RECOMMENDED	SEE 33482-2154	34950-2011	34950-2021	34951-1631	34951-1641	
KEY D, GREEN	33482-2104	D-GR	GCO	PLR	M-B																										NOT RECOMMENDED	SEE 33482-2155	34950-2011	34950-2021	34951-1631	34951-1641	
KEY A, BLACK	33482-2106	A-BLK	GCP	PLR	M-B																							20			SALEABLE		34950-2011	34950-2021	34951-1631	34951-1641	
KEY A, BLACK	33482-2107	A-BLK	GCP	PLR	M-B																			11							SALEABLE		34950-2011	34950-2021	34951-1631	34951-1641	
KEY A, BLACK	33482-2108	A-BLK	GCP	PLR	M-B				4	5	6	7														14	15	16	17			SALEABLE		34950-2011	34950-2021	34951-1631	34951-1641
KEY A, BLACK	33482-2109	A-BLK	GCP	PLR	M-B																											SALEABLE		34950-2011	34950-2021	34951-1631	34951-1641
KEY A, BLACK	33482-2110	A-BLK	GCP	PLR	M-B																											SALEABLE		34950-2011	34950-2021	34951-1631	34951-1641
KEY A, BLACK	33482-2111	A-BLK	GCP	PLR	M-B	1	2																						20			SALEABLE		34950-2011	34950-2021	34951-1631	34951-1641
KEY A, BLACK	33482-2112	A-BLK	GCP	PLR	M-B	1	2																						20			SALEABLE		34950-2011	34950-2021	34951-1631	34951-1641
KEY A, BLACK	33482-2113	A-BLK	GCP	PLR	M-B	1	2																						20			SALEABLE		34950-2011	34950-2021	34951-1631	34951-1641
KEY A, BLACK	33482-2114	A-BLK	GCP	PLR	M-B				3	4	5																		17	19		SALEABLE		34950-2011	34950-2021	34951-1631	34951-1641
KEY A, BLACK	33482-2115	A-BLK	GCP	PLR	M-B				3	4	5																					SALEABLE		34950-2011	34950-2021	34951-1631	34951-1641
KEY A, BLACK	33482-2116	A-BLK	GCP	PLR	M-B		2																									SALEABLE		34950-2011	34950-2021	34951-1631	34951-1641
KEY A, BLACK	33482-2117	A-BLK	GCP	PLR	M-B																											SALEABLE		34950-2011	34950-2021	34951-1631	34951-1641
KEY A, BLACK	33482-2118	A-BLK	GCP	PLR	M-B																											SALEABLE		34950-2011	34950-2021	34951-1631	34951-1641
KEY A, BLACK	33482-2119	A-BLK	GCP	PLR	M-B																											SALEABLE		34950-2011	34950-2021	34951-1631	34951-1641
KEY A, BLACK	33482-2120	A-BLK	GCP	PLR	M-B				3	4	5																					SALEABLE		34950-2011	34950-2021	34951-1631	34951-1641
KEY A, BLACK	33482-2121	A-BLK	GCP	PLR	M-B	1	2	3	4	5																						SALEABLE		34950-2011	34950-2021	34951-1631	34951-1641
KEY A, BLACK	33482-2122	A-BLK	GCP	PLR	M-B				3	4	5																					SALEABLE		34950-2011	34950-2021	34951-1631	34951-1641
KEY A, BLACK	33482-2123	A-BLK	GCP	PLR	M-B																											SALEABLE		34950-2011	34950-2021	34951-1631	34951-1641
KEY A, BLACK	33482-2124	A-BLK	GCP	PLR	M-B																											SALEABLE		34950-2011	34950-2021	34951-1631	34951-1641
KEY A, BLACK	33482-2125	A-BLK	GCP	PLR	M-B																											SALEABLE		34950-2011	34950-2021	34951-1631	34951-1641
KEY A, BLACK	33482-2126	A-BLK	GCP	PLR	M-B																											SALEABLE		34950-2011	34950-2021	34951-1631	34951-1641
KEY A, BLACK	33482-2127	A-BLK	GCP	PLR	M-B																											SALEABLE		34950-2011	34950-2021	34951-1631	34951-1641
KEY A, BLACK	33482-2128	A-BLK	GCP	PLR	M-B	1		3	4	5	6	7	8	9	10	11																SALEABLE		34950-2011	34950-2021	34951-1631	34951-1641
KEY A, BLACK	33482-2129	A-BLK	GCP	PLR	M-B				3	4	5	6	7	8	9	10																SALEABLE		34950-2011	34950-2021	34951-1631	34951-1641
KEY A, BLACK	33482-2130	A-BLK	GCP	PLR	M-B				3	4	5																					SALEABLE		34950-2011	34950-2021	34951-1631	34951-1641
KEY A, BLACK	33482-2131	A-BLK	GCP	PLR	M-B				3	4	5																					SALEABLE		34950-2011	34950-2021	34951-1631	34951-1641
KEY A, BLACK	33482-2132	A-BLK	GCP	PLR	M-B				3	4	5																					SALEABLE		34950-2011	34950-2021	34951-1631	34951-1641
KEY A, BLACK	33482-2133	A-BLK	GCP	PLR	M-B																											SALEABLE		34950-2011	34950-2021	34951-1631	34951-1641
KEY A, BLACK	33482-2134	A-BLK	GCP	PLR	M-B																											SALEABLE		34950-2011	34950-2021	34951-1631	34951-1641
KEY A, BLACK	33482-2135	A-BLK	GCP	PLR	M-B																											SALEABLE		34950-2011	34950-2021	34951-1631	34951-1641
KEY A, BLACK	33482-2136	A-BLK	GCP	PLR	M-B																											SALEABLE		34950-2011	34950-2021	34951-1631	34951-1641
KEY A, BLACK	33482-2137	A-BLK	GCP	PLR	M-B																											SALEABLE		34950-2011	34950-2021	34951-1631	34951-1641
KEY A, BLACK	33482-2138	A-BLK	GCP	PLR	M-B	1	2	3	4	5	6	7	8	9	10																	SALEABLE		34950-2011	34950-2021	34951-1631	34951-1641
KEY A, BLACK	33482-2139	A-BLK	GCP	PLR	M-B	1	2	3	4	5	6	7	8	9	10																	SALEABLE		34950-2011	34950-2021	34951-1631	34951-1641
KEY A, BLACK	33482-2140	A-BLK	GCP	PLR	M-B																											SALEABLE		34950-2011	34950-2021	34951-1631	34951-1641
KEY A, YELLOW	33482-2141	A-YL	GCO	PLR	M-B																											SALEABLE		34950-2011	34950-2021	34951-1631	34951-1641
KEY A, BLACK	33482-2142	A-BLK	GCP	PLR	M-B																											SALEABLE		34950-2011	34950-20		

MX150 2X10 BLADE SEALED ASSY MAT SEAL
BOM AND PIN OUT SHEET

ASSEMBLY DESCRIPTION	ASSEMBLY PART NUMBER	COMPONENT				BLOCKED TERMINALS																				STATUS	COMMENTS	OPTIONAL ATTACHMENTS SOLD SEPERATELY			
		THE PRESENCE OF AN ABBREVIATION INDICATES THE PRESENCE OF THAT COMPONENT.				CAVITY WITH A NUMBER INDICATES BLOCKED TERMINAL POSITION CAVITY WITHOUT A NUMBER INDICATES OPEN TERMINAL POSITION																						BACKSHELL WITH RIBS	BACKSHELL WITHOUT RIBS	90° ADAPTOR WITH RIBS	90° ADAPTOR WITHOUT RIBS
		HOUSING KEY/COLOR	GROMMET CAP	PLR	MAT SEAL	1	2	3	4	5	6	7	8	9	10	11	12	13	14	15	16	17	18	19	20						
KEY A, BLACK	33482-2304	A-BLK	GCP	PLR	M-B		2					8	9				13								20	SALEABLE		34950-2011	34950-2021	34951-1631	34951-1641
KEY A, BLACK	33482-2305	A-BLK	GCP	PLR	M-B		2					8	9				13	14	15	16	17	18	19	20	SALEABLE		34950-2011	34950-2021	34951-1631	34951-1641	
KEY A, BLACK	33482-2306	A-BLK	GCP	PLR	M-B	1	2	3	4	5	6	7	8	9			13								20	SALEABLE		34950-2011	34950-2021	34951-1631	34951-1641
KEY A, BLACK	33482-2307	A-BLK	GCP	PLR	M-B	1	2	3	4	5	6	7	8	9			13	14	15	16	17	18	19	20	SALEABLE		34950-2011	34950-2021	34951-1631	34951-1641	
KEY A, BLACK	33482-2308	A-BLK	GCP	PLR	M-B	1	2	3			6	7	8	9	10		12	13	14	15	16	17	18	19	20	SALEABLE		34950-2011	34950-2021	34951-1631	34951-1641
KEY A, BLACK	33482-2309	A-BLK	GCP	PLR	M-B	1	2	3	4	5														19	20	SALEABLE		34950-2011	34950-2021	34951-1631	34951-1641
KEY A, BLACK	33482-2310	A-BLK	GCP	PLR	M-B		2	3			5						13						19	20	SALEABLE		34950-2011	34950-2021	34951-1631	34951-1641	
KEY A, BLACK	33482-2311	A-BLK	GCP	PLR	M-B		2	3	4	5		7	8	9	10	11	12	13	14	15	16	17	19	20	SALEABLE		34950-2011	34950-2021	34951-1631	34951-1641	
KEY A, BLACK	33482-2312	A-BLK	GCP	PLR	M-B		2				5	6											19	20	SALEABLE		34950-2011	34950-2021	34951-1631	34951-1641	
KEY A, BLACK	33482-2313	A-BLK	GCP	PLR	M-B	1			3			6					12	13						19	20	SALEABLE		34950-2011	34950-2021	34951-1631	34951-1641
KEY A, BLACK	33482-2314	A-BLK	GCP	PLR	M-B							9	10	11	12	13									20	SALEABLE		34950-2011	34950-2021	34951-1631	34951-1641
KEY A, BLACK	33482-2315	A-BLK	GCP	PLR	M-B							9	10	11	12	13	14	15	16	17	18	19	20		SALEABLE		34950-2011	34950-2021	34951-1631	34951-1641	
KEY A, BLACK	33482-2316	A-BLK	GCP	PLR	M-B		2					8	9	10	11	12	13								20	SALEABLE		34950-2011	34950-2021	34951-1631	34951-1641
KEY A, BLACK	33482-2317	A-BLK	GCP	PLR	M-B		2					8	9	10	11	12	13	14	15	16	17	18	19	20		SALEABLE		34950-2011	34950-2021	34951-1631	34951-1641
KEY A, BLACK	33482-2318	A-BLK	GCP	PLR	M-B	1	2	3	4	5	6	7	8	9	10	11	12	13							20	SALEABLE		34950-2011	34950-2021	34951-1631	34951-1641
KEY A, BLACK	33482-2319	A-BLK	GCP	PLR	M-B	1	2	3			6	7														SALEABLE		34950-2011	34950-2021	34951-1631	34951-1641
KEY A, BLACK	33482-2320	A-BLK	GCP	PLR	M-B		2	3			6															SALEABLE		34950-2011	34950-2021	34951-1631	34951-1641
KEY A, BLACK	33482-2321	A-BLK	GCP	PLR	M-B	1	2	3	4	5	6	7	8	9			13	14	15	16			19	20	SALEABLE		34950-2011	34950-2021	34951-1631	34951-1641	
KEY A, BLACK	33482-2322	A-BLK	GCP	PLR	M-B	1	2	3	4	5		8	9												20	SALEABLE		34950-2011	34950-2021	34951-1631	34951-1641
KEY A, BLACK	33482-2323	A-BLK	GCP	PLR	M-B	1	2	3			6	7	8	9	10	11	12	13	14	15	16			19	20	SALEABLE		34950-2011	34950-2021	34951-1631	34951-1641
KEY A, BLACK	33482-2324	A-BLK	GCP	PLR	M-B	1	2	3	4	5	6	7	8			10	11									SALEABLE		34950-2011	34950-2021	34951-1631	34951-1641
KEY B, LIGHT GRAY	33482-2325	B-LG	GCP	PLR	M-B																					SALEABLE		34950-2011	34950-2021	34951-1631	34951-1641
KEY A, BLACK	33482-2326	A-BLK	GCP	PLR	M-B	1	2				6	7	8	9	10	11	12	13								SALEABLE		34950-2011	34950-2021	34951-1631	34951-1641
KEY A, BLACK	33482-2327	A-BLK	GCP	PLR	M-B	1	2		4	5	6	7	8	9	10	11	12	13								SALEABLE		34950-2011	34950-2021	34951-1631	34951-1641
KEY A, BLACK	33482-2328	A-BLK	GCP	PLR	M-B							7	8	9	10	11										SALEABLE		34950-2011	34950-2021	34951-1631	34951-1641
KEY B, LIGHT GRAY	33482-2329	B-LG	GCP	PLR	M-B																					SALEABLE		34950-2011	34950-2021	34951-1631	34951-1641
KEY A, BLACK	33482-2330	A-BLK	GCP	PLR	M-B		2				5	6														SALEABLE		34950-2011	34950-2021	34951-1631	34951-1641
KEY A, BLACK	33482-2331	A-BLK	GCP	PLR	M-B		2					6														SALEABLE		34950-2011	34950-2021	34951-1631	34951-1641
KEY A, BLACK	33482-2332	A-BLK	GCP	PLR	M-B						6															SALEABLE		34950-2011	34950-2021	34951-1631	34951-1641
KEY B, LIGHT GRAY	33482-2333	B-LG	GCP	PLR	M-B											10	11									SALEABLE		34950-2011	34950-2021	34951-1631	34951-1641
KEY A, BLACK	33482-2334	A-BLK	GCP	PLR	M-B					3	4															SALEABLE		34950-2011	34950-2021	34951-1631	34951-1641
KEY A, BLACK	33482-2335	A-BLK	GCP	PLR	M-B					3	4															SALEABLE		34950-2011	34950-2021	34951-1631	34951-1641
KEY B, LIGHT GRAY	33482-2336	B-LG	GCP	PLR	M-B																					SALEABLE		34950-2011	34950-2021	34951-1631	34951-1641
KEY B, LIGHT GRAY	33482-2337	B-LG	GCP	PLR	M-B														14	15						SALEABLE		34950-2011	34950-2021	34951-1631	34951-1641
KEY B, LIGHT GRAY	33482-2338	B-LG	GCP	PLR	M-B		2																			SALEABLE		34950-2011	34950-2021	34951-1631	34951-1641
KEY B, LIGHT GRAY	33482-2339	B-LG	GCP	PLR	M-B											11	12	13	14	15						SALEABLE		34950-2011	34950-2021	34951-1631	34951-1641
KEY A, BLACK	33482-2340	A-BLK	GCP	PLR	M-B		2	3																		SALEABLE		34950-2011	34950-2021	34951-1631	34951-1641
KEY A, BLACK	33482-2341	A-BLK	GCP	PLR	M-B																					SALEABLE		34950-2011	34950-2021	34951-1631	34951-1641
KEY B, LIGHT GRAY	33482-2342	B-LG	GCP	PLR	M-B							5	6			11	12	13	14	15						SALEABLE		34950-2011	34950-2021	34951-1631	34951-1641
KEY B, LIGHT GRAY	33482-2343	B-LG	GCP	PLR	M-B																					SALEABLE		34950-2011	34950-2021	34951-1631	34951-1641
KEY B, LIGHT GRAY	33482-2344	B-LG	GCP	PLR	M-B														14	15						SALEABLE		34950-2011	34950-2021	34951-1631	34951-1641
KEY B, LIGHT GRAY	33482-2345	B-LG	GCP	PLR	M-B																					SALEABLE		34950-2011	34950-2021	34951-1631	34951-1641
KEY A, BLACK	33482-2346	A-BLK	GCP	PLR	M-B																					SALEABLE		34950-2011	34950-2021	34951-1631	34951-1641
KEY A, BLACK	33482-2347	A-BLK	GCP	PLR	M-B		2	3	4	5	6	7	8	9												SALEABLE		34950-2011	34950-2021	34951-1631	34951-1641
KEY A, BLACK	33482-2348	A-BLK	GCP	PLR	M-B		2					6														SALEABLE		34950-2011	34950-2021	34951-1631	34951-1641
KEY A, BLACK	33482-2349	A-BLK	GCP	PLR	M-B																					SALEABLE		34950-2011	34950-2021	34951-1631	34951-1641
KEY A, BLACK	33482-2350	A-BLK	GCP	PLR	M-B																					SALEABLE		34950-2011	34950-2021	34951-1631	34951-1641
KEY A, BLACK	33482-2351	A-BLK	GCP	PLR	M-B																					SALEABLE		34950-2011	34950-2021	34951-1631	34951-1641
KEY A, BLACK	33482-2352	A-BLK	GCP	PLR	M-B																					SALEABLE		34950-2011	34950-2021	34951-1631	34951-1641
KEY B, LIGHT GRAY	33482-2353	B-LG	GCP	PLR	M-B																					SALEABLE		34950-2011	34950-2021	34951-1631	34951-1641
KEY A, BLACK	33482-2354	A-BLK	GCP	PLR	M-B		2	3																		SALEABLE		34950-2011	34950-2021	34951-1631	34951-1641
KEY A, BLACK	33482-2355	A-BLK	GCP	PLR	M-B	1			3	4	5	6	7	8	9	10	11	12								SALEABLE		34950-2011	34950-2021	34951-1631	34951-1641
KEY A, BLACK	33482-2356	A-BLK	GCP	PLR	M-B	1																				SALEABLE		34950-2011	34950-2021	34951-1631	34951-1641
KEY B, LIGHT GRAY	33482-2357	B-LG	GCP	PLR	M-B																					SALEABLE		34950-2011	34950-2021	34951-1631	34951-1641
KEY A, BLACK																															