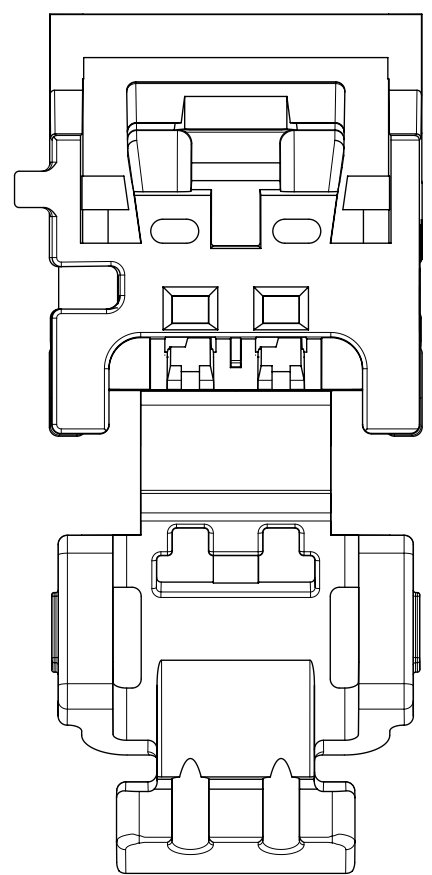
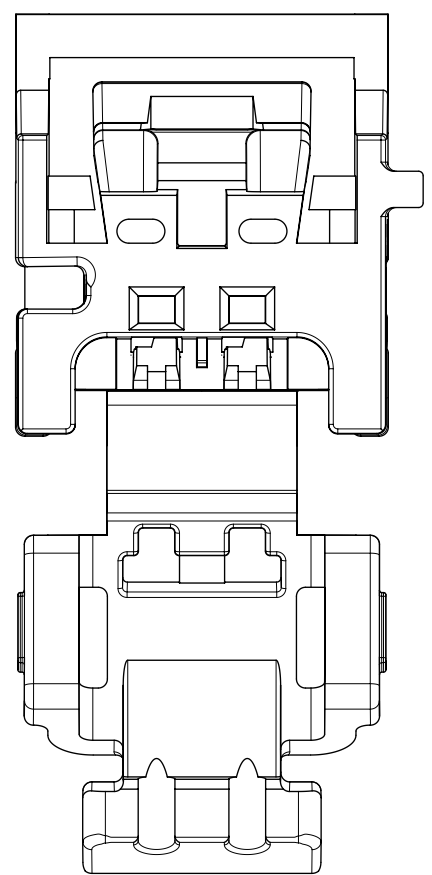


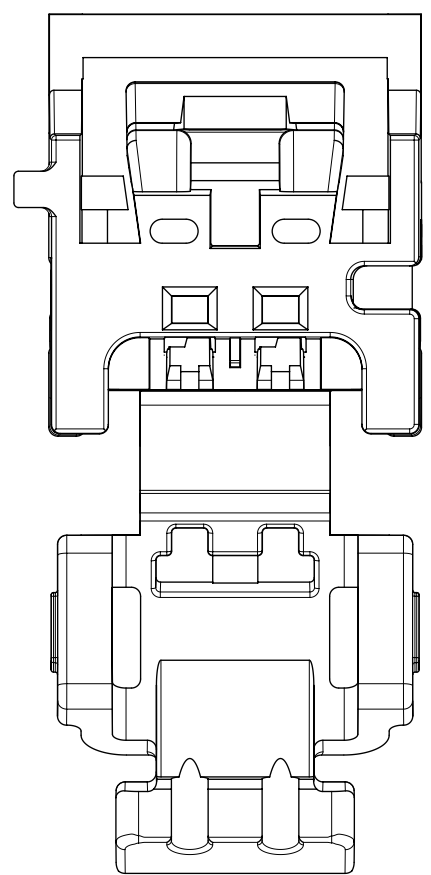
2 CIRCUIT RECEPTACLE WITH LOCK BRIDGE
POLARIZATION OPTION A



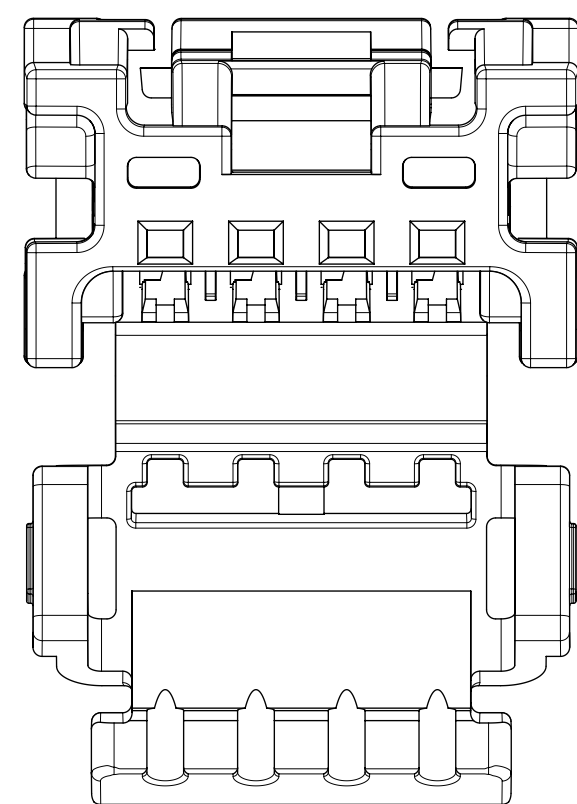
2 CIRCUIT RECEPTACLE WITH LOCK BRIDGE
POLARIZATION OPTION B



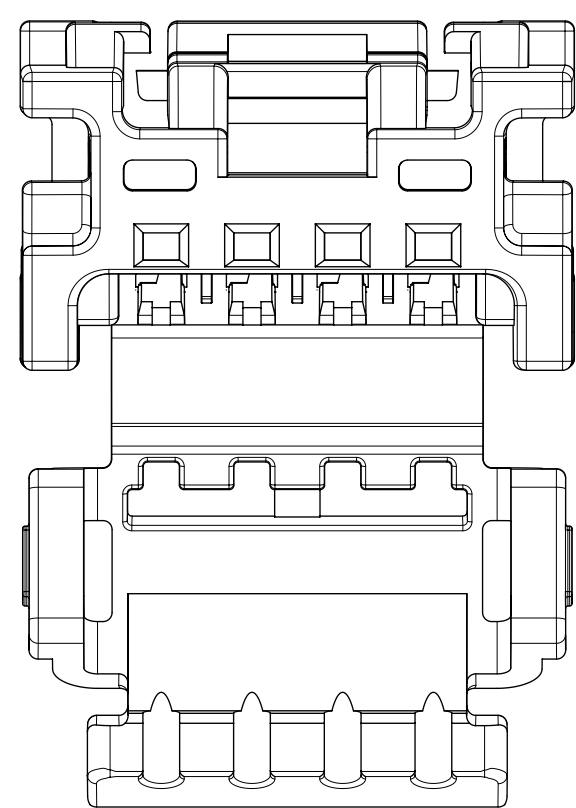
2 CIRCUIT RECEPTACLE WITH LOCK BRIDGE
POLARIZATION OPTION C



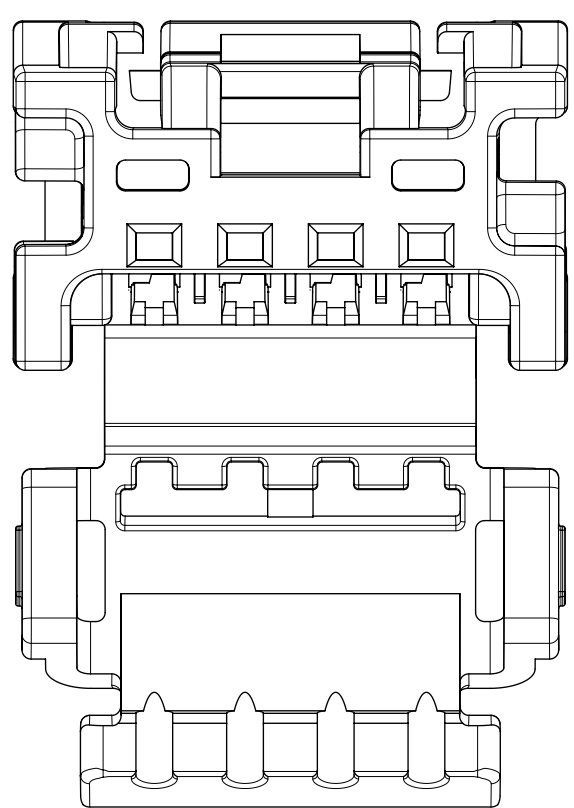
2 CIRCUIT RECEPTACLE WITH LOCK BRIDGE
POLARIZATION OPTION D



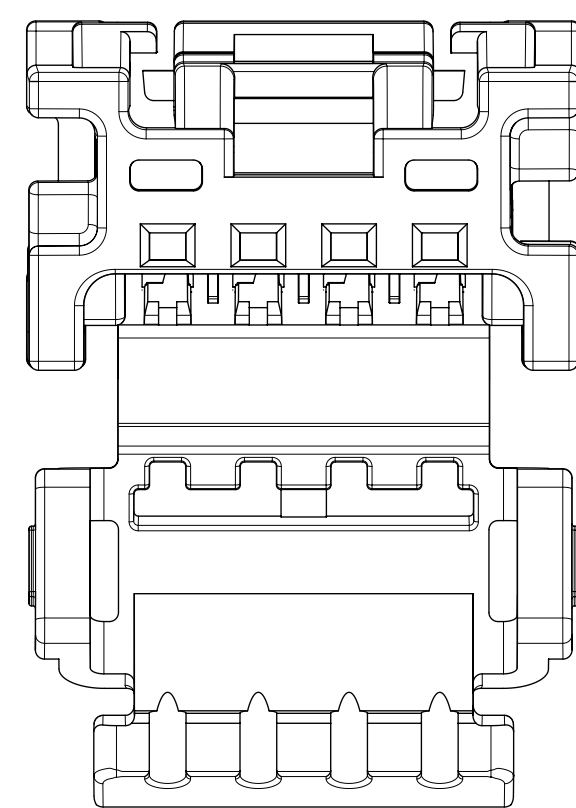
4 CIRCUIT RECEPTACLE WITHOUT LOCK BRIDGE
POLARIZATION OPTION A



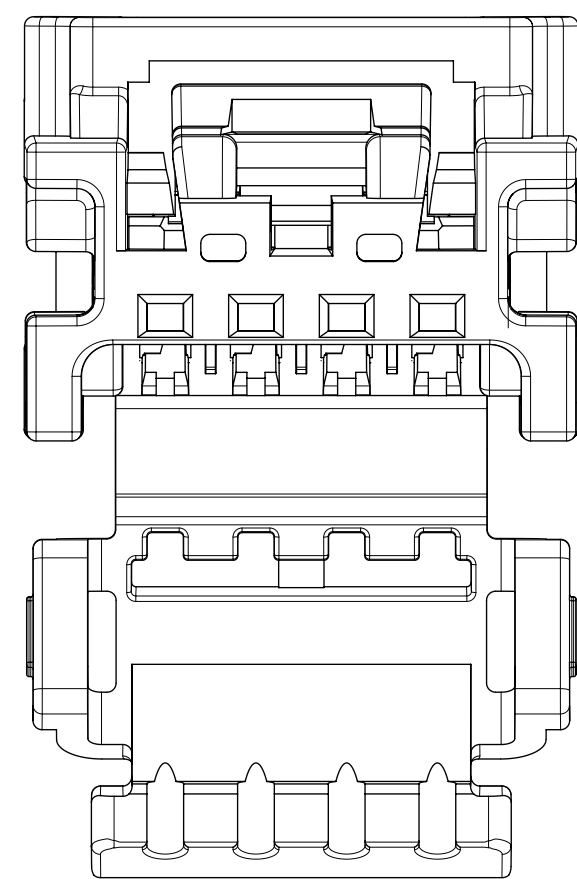
4 CIRCUIT RECEPTACLE WITHOUT LOCK BRIDGE
POLARIZATION OPTION B



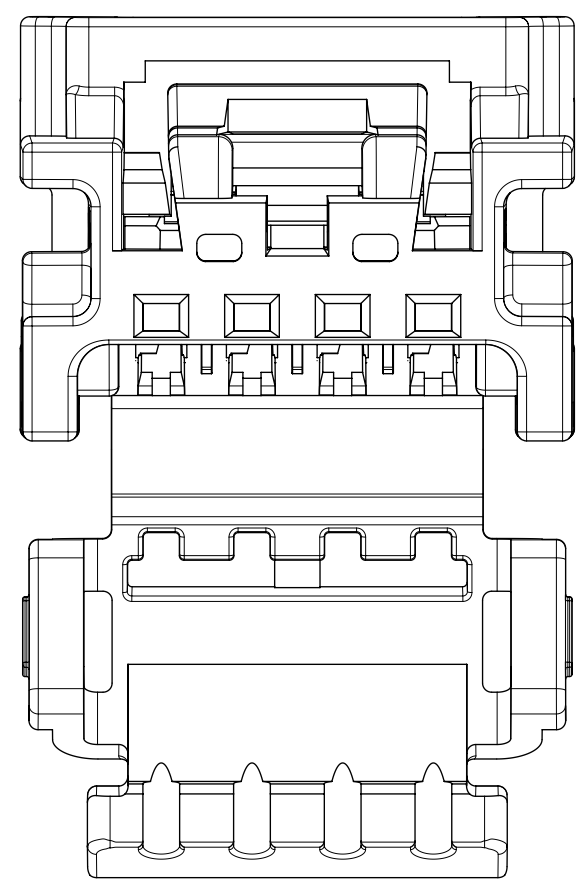
4 CIRCUIT RECEPTACLE WITHOUT LOCK BRIDGE
POLARIZATION OPTION C



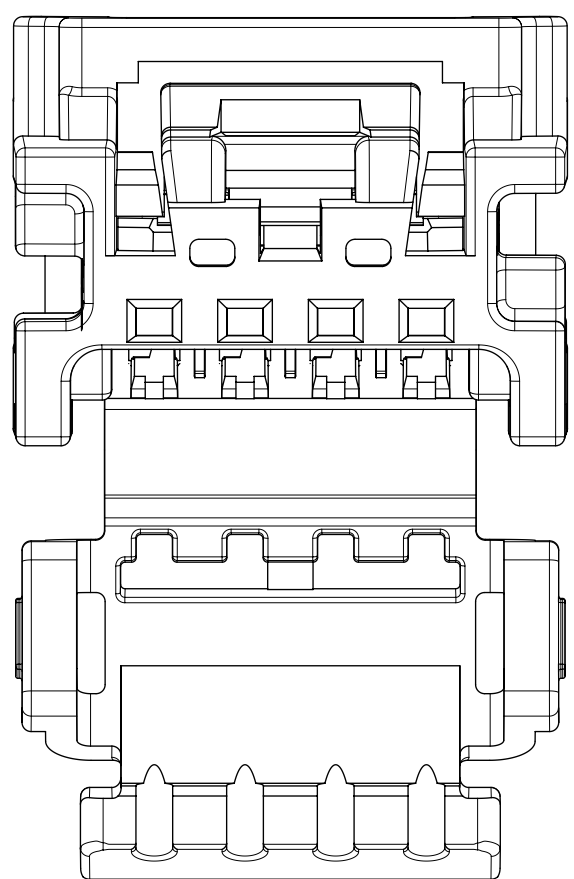
4 CIRCUIT RECEPTACLE WITHOUT LOCK BRIDGE
POLARIZATION OPTION D



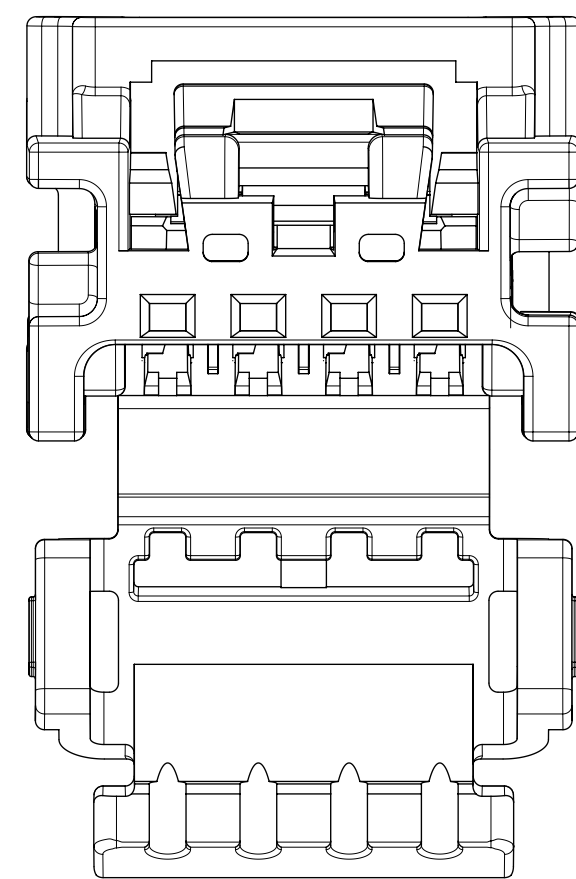
4 CIRCUIT RECEPTACLE BRIDGED
POLARIZATION OPTION A



4 CIRCUIT RECEPTACLE BRIDGED
POLARIZATION OPTION B



4 CIRCUIT RECEPTACLE BRIDGED
POLARIZATION OPTION C



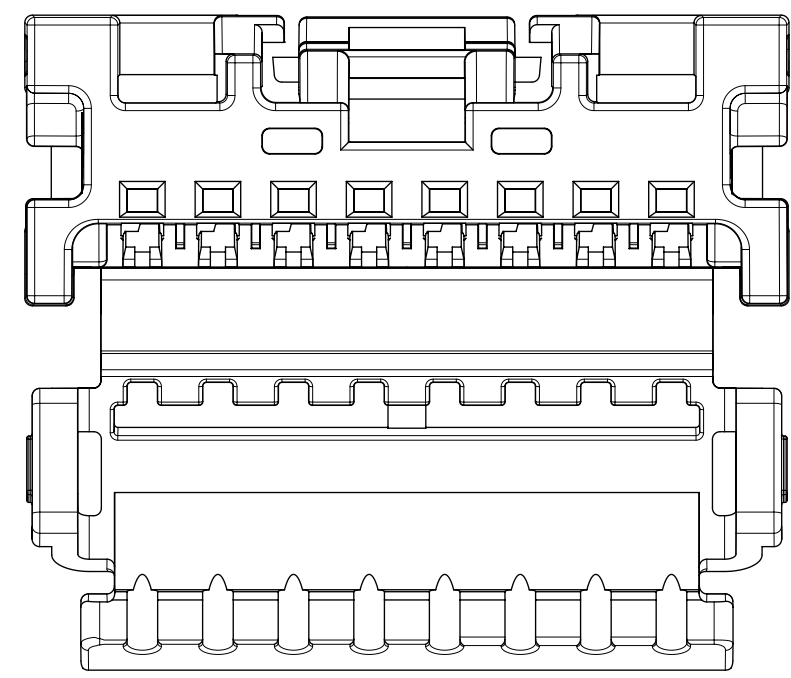
4 CIRCUIT RECEPTACLE BRIDGED
POLARIZATION OPTION D

NOTES: VALID UNLESS OTHERWISE SPECIFIED

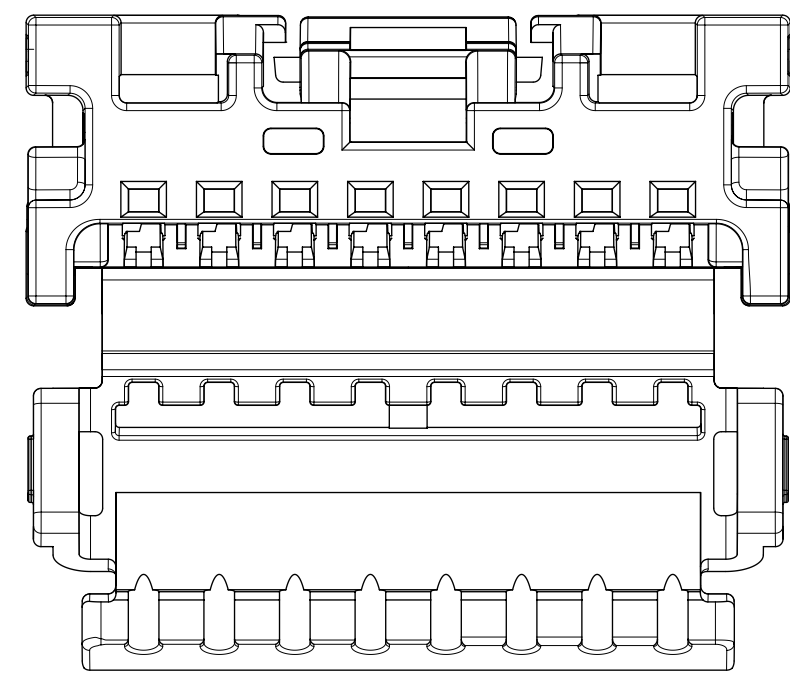
1. GENERAL:
 - a. APPLICATION SPECIFICATION SEE: AS-34791-020
 - b. PRODUCT SPECIFICATION SEE: PS-34971-020
 - c. PACKAGING SPECIFICATION PER MOLEX DRAWING: PK-31301-538
 - d. PARTS MUST BE IN COMPLIANCE TO MOLEX CHEMICAL SUBSTANCES FOR PRODUCTS AND PACKAGING SPECIFICATION: QEHS-699000-301
 - e. DATA MUST BE SUBMITTED UNDER THE MOLEX PART NUMBER TO IMDS (COMPANY ID#13255)
 - f. FLAMMABILITY REQUIREMENT: PER ISO3795 OR GM3191
 1. BURN RATE 100 mm/MIN MAXIMUM
 2. MATERIAL MUST BE SELF EXTINGUISHING
 - g. VISUAL DEFECTS SHALL MEET COSMETIC STANDARD PS-45499-002 (Class B)
 - h. FOR TERMINAL USAGE, REFER TO MOLEX SALES DRAWING SD-560023-002.
2. DESIGN - MATERIALS:
 - a. MATERIAL: UNFILLED PBT
3. DESIGN - GEOMETRY:
 - a. THIS IS A 100% CAD GENERATED PART. THE CAD MATHEMATICAL DATA IS THE MASTER FOR THIS PART. FOR DIMENSIONAL OR ANY INFORMATION NOT SHOWN ON THIS DRAWING, ANALYZE THE CAD MODEL.
 - b. GEOMETRIC DIMENSIONS AND TOLERANCES PER ASME Y14.5M - 1994
 - c. GENERAL TOLERANCES:
 - LINEAR: PER DIN 16901 CODE B FOR PRECISION ENGINEERING
 - ANGULAR: $\pm 3^\circ$
 - d. EDGES AND UNDIMENSIONED DETAILS PER ISO13715
 - e. CORNERS SHOWN AS SHARP TO BE R 0.2 MAX
 - f. LETTERING SHALL BE 0.1 MAX RAISED IN 0.15 MAX RECESS PAD AND NOT PROTRUDE THE SURFACE. THIS INCLUDES RECYCLING CODE, PLANT AND CAVITY ID, VENDOR ID, CIRCUIT ID, AND PART SERIES NUMBER.
4. DESIGN - FUNCTIONALITY
 - a. HINGE DOES NOT AFFECT FUNCTION OF THE PART.

INSPECTION BALLON NUMBER LOG	
PER DRAWING REVISION: L2	
LAST BALLOON USED: 16	
ADDED BALLOON NUMBERS:	
L2	NX REMASTERING
REV	DESCRIPTION
REMOVED BALLOON NUMBERS:	

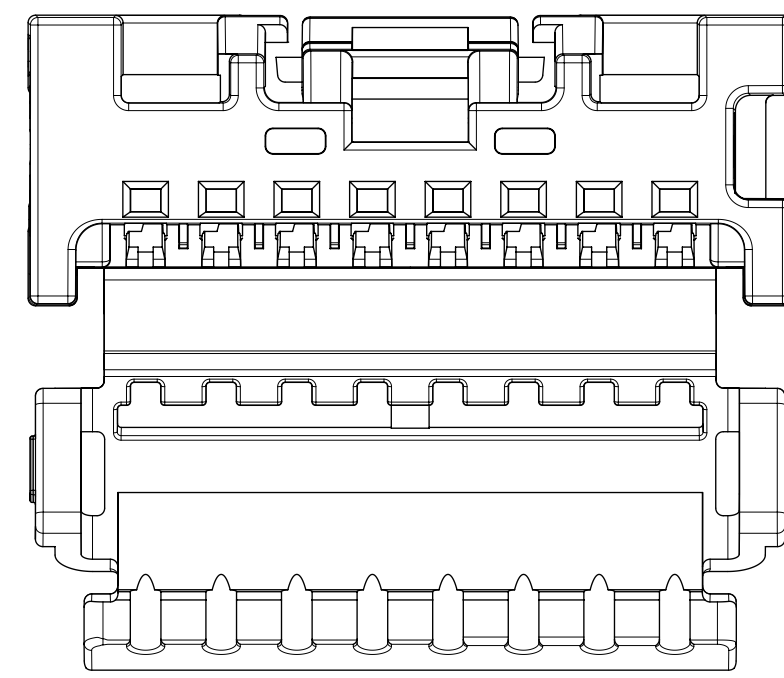
THIS DRAWING CONTAINS INFORMATION THAT IS PROPRIETARY TO MOLEX ELECTRONIC TECHNOLOGIES, LLC AND SHOULD NOT BE USED WITHOUT WRITTEN PERMISSION											
EC NO: 608500 DRWN: JOYA CHKD: JDUNAJ REV APPR: JDUNAJ	2018/11/29	GENERAL TOLERANCES (UNLESS SPECIFIED)	DIMENSION UNITS	SCALE	 MINI50 SINGLE ROW RECEPTACLE SALES DRAWING PRODUCT CUSTOMER DRAWING						
	2018/12/03	ANGULAR TOL \pm	MM ONLY	6:1							
	2018/12/03	4 PLACES \pm	DRWN BY	DATE							
		3 PLACES \pm	JDUNAJ	2010/06/24							
		2 PLACES \pm	CHKD BY	DATE							
		1 PLACE \pm	BDICK	2010/06/24							
	0 PLACES \pm	APPR BY	DATE								
		SMARCEAU	2011/11/21	DRAWING SIZE	THIRD ANGLE PROJECTION	SERIES	MATERIAL NUMBER	CUSTOMER			
		DRAFT WHERE APPLICABLE MUST REMAIN WITHIN DIMENSIONS	D		34791	SEE TABLE	GENERAL MARKET				
L5					DOCUMENT NUMBER	DOC TYPE	DOC PART	SHEET NUMBER			
					SD-34791-001	PSD	000	1 OF 5			



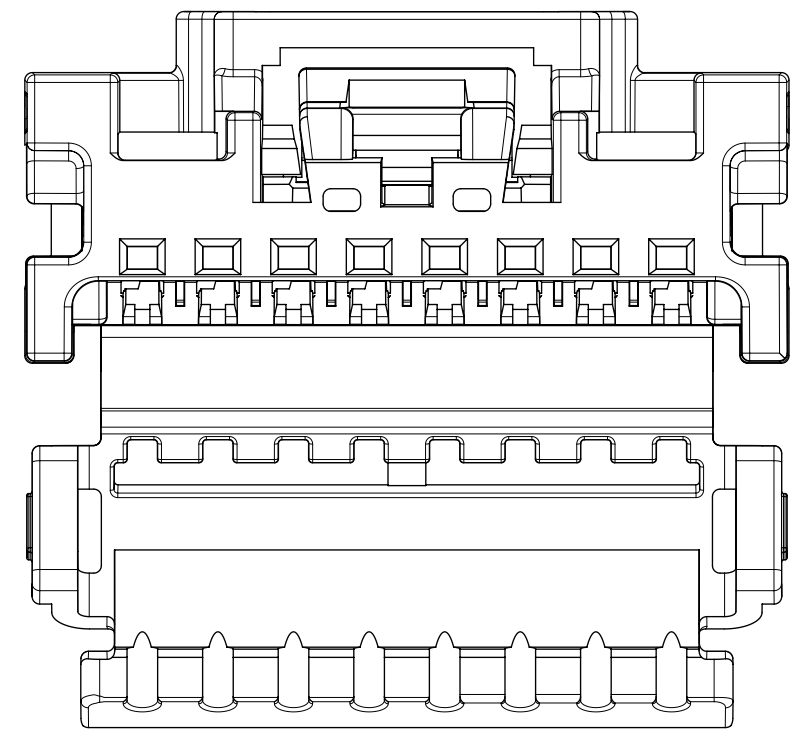
8 CIRCUIT RECEPTACLE WITHOUT LOCK BRIDGE
POLARIZATION OPTION A



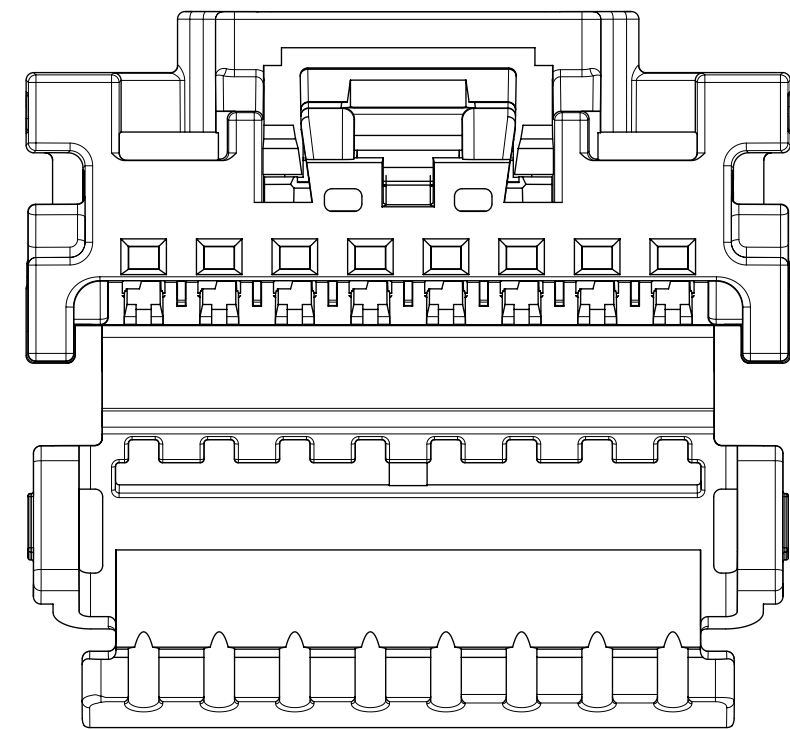
8 CIRCUIT RECEPTACLE WITHOUT LOCK BRIDGE
POLARIZATION OPTION B



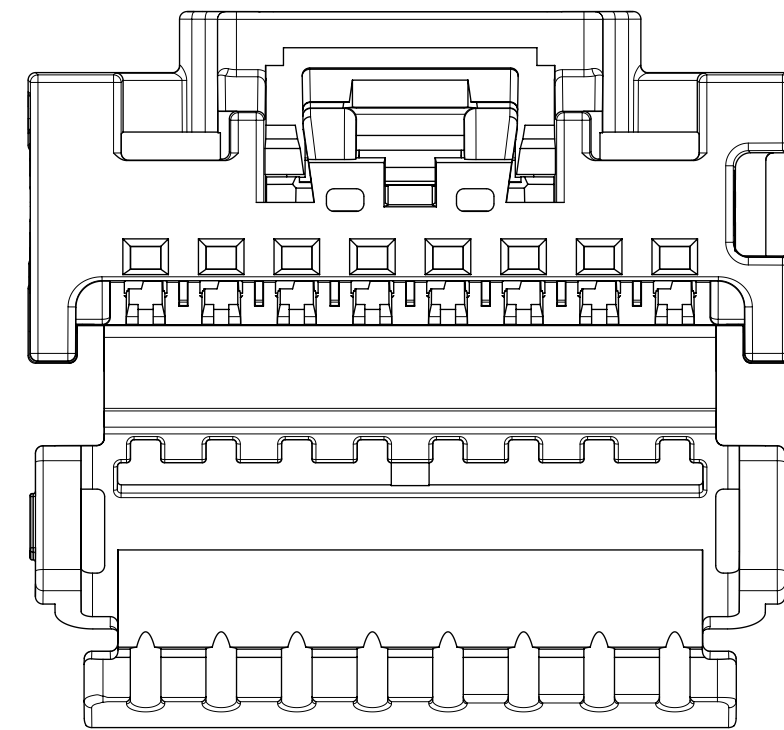
8 CIRCUIT RECEPTACLE WITHOUT LOCK BRIDGE
POLARIZATION OPTION C



8 CIRCUIT RECEPTACLE BRIDGED
POLARIZATION OPTION A

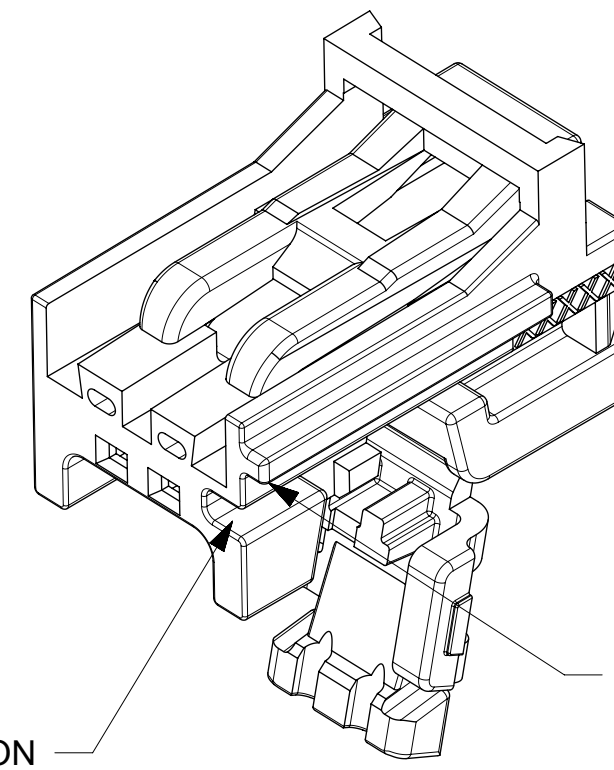


8 CIRCUIT RECEPTACLE BRIDGED
POLARIZATION OPTION B



8 CIRCUIT RECEPTACLE BRIDGED
POLARIZATION OPTION C

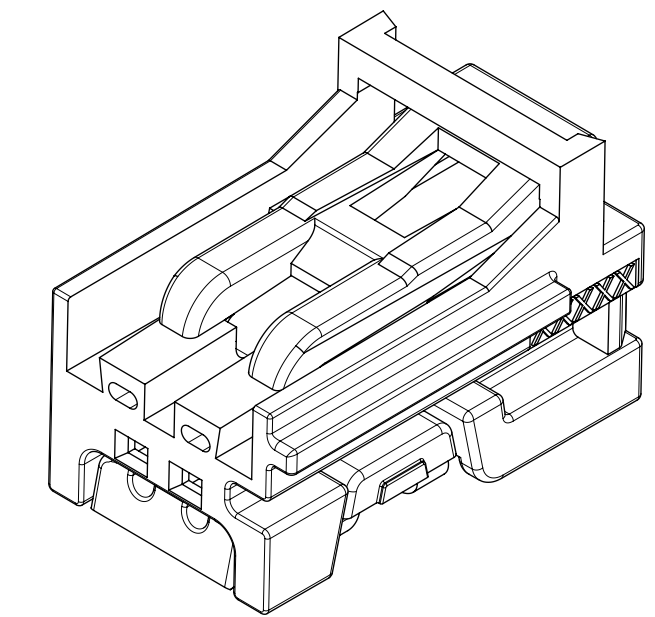
HINGE OPEN
2 CIRCUIT RECEPTACLE SHOWN
(AS SHIPPED)



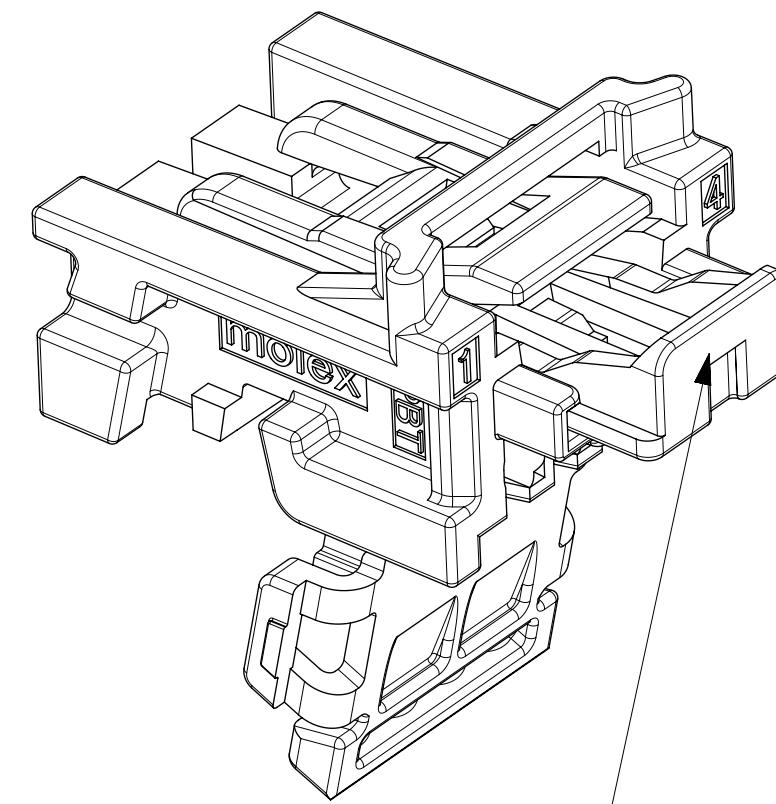
POLARIZATION
FEATURE
LOCATION

POLARIZATION
FEATURE
LOCATION

HINGE CLOSED
2 CIRCUIT RECEPTACLE SHOWN
(AS ASSEMBLED)

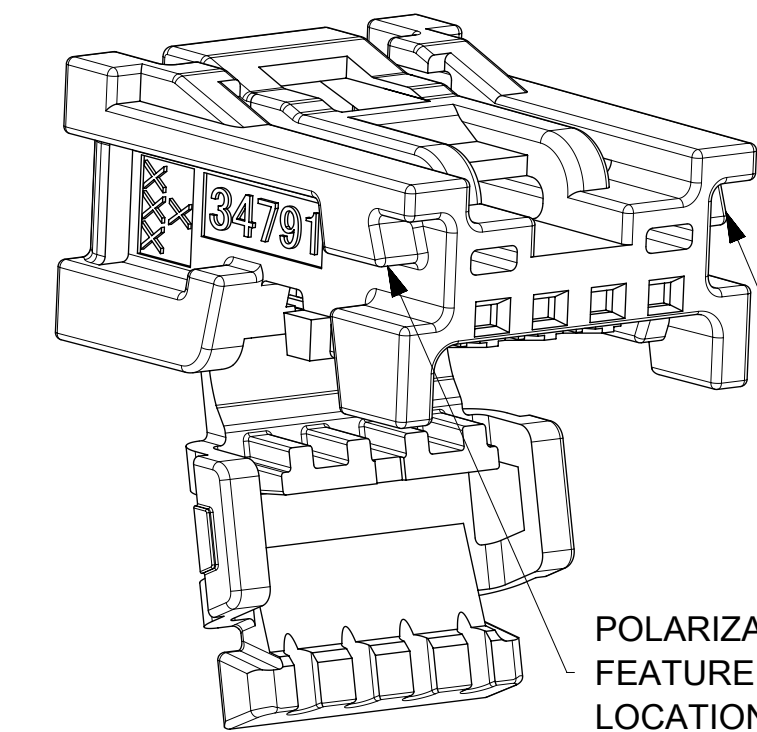


HINGE OPEN
4 CIRCUIT RECEPTACLE SHOWN
(AS SHIPPED)



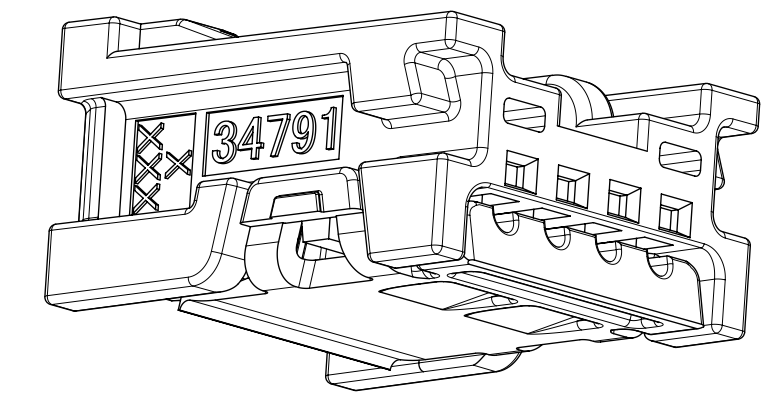
MINI50 WITH BRIDGE OPTION
COMES WITH CPA TRAY

*REFER TO SD-34824-003 FOR
CPA-RECEPTACLE ASSEMBLIES



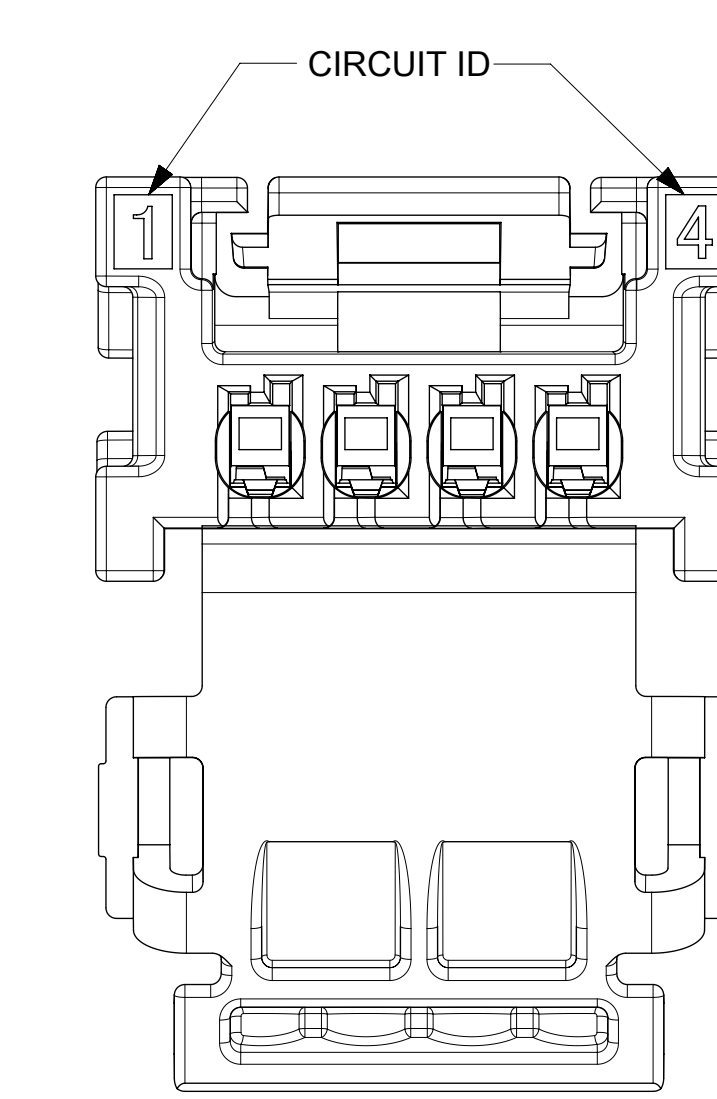
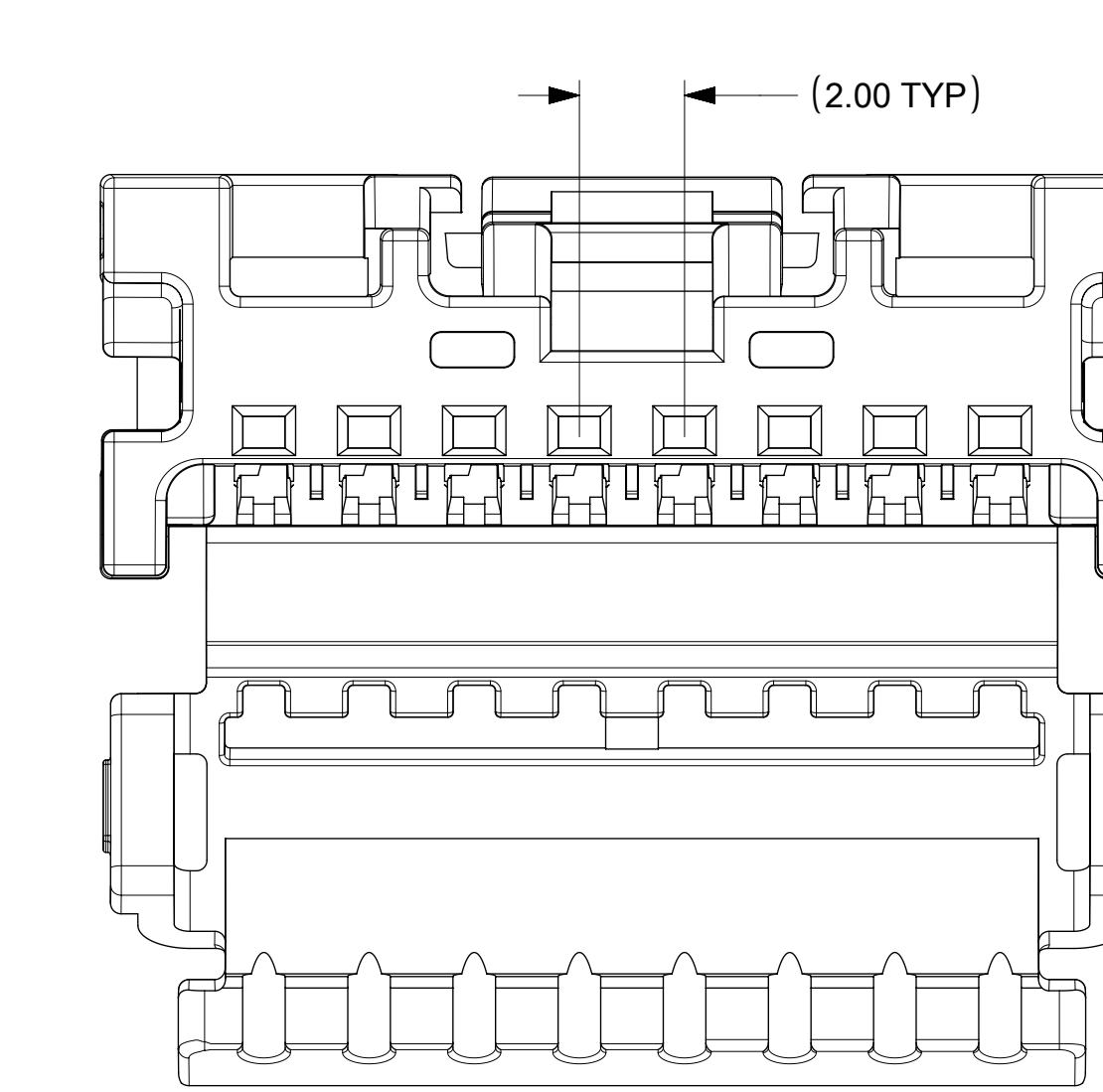
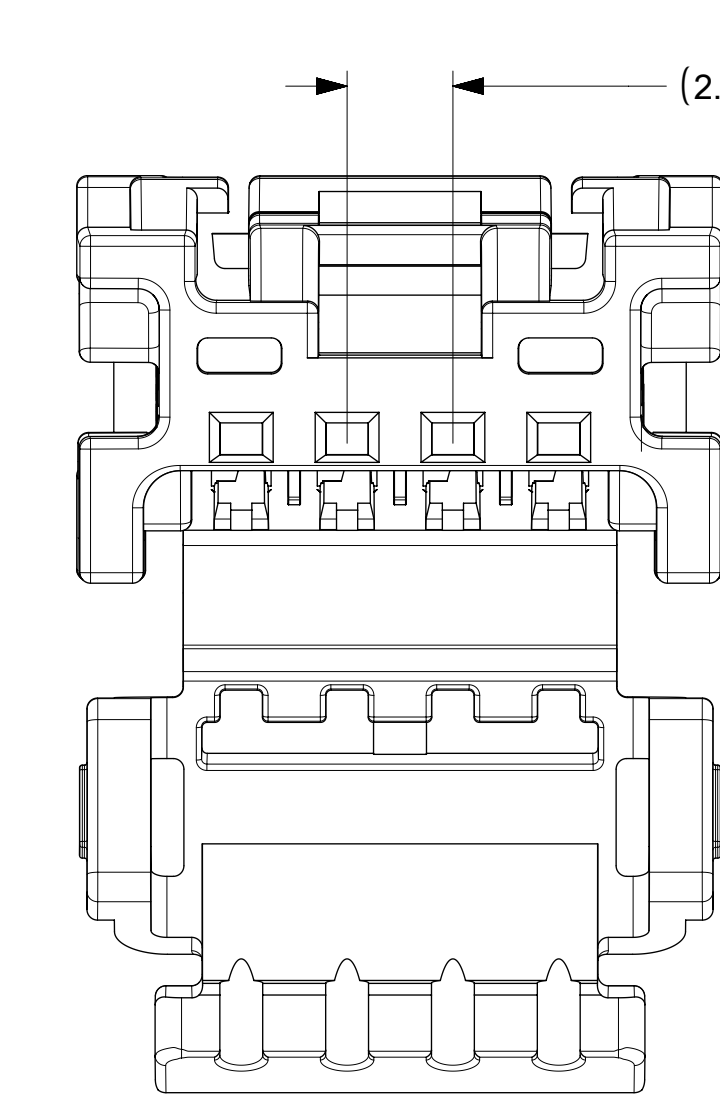
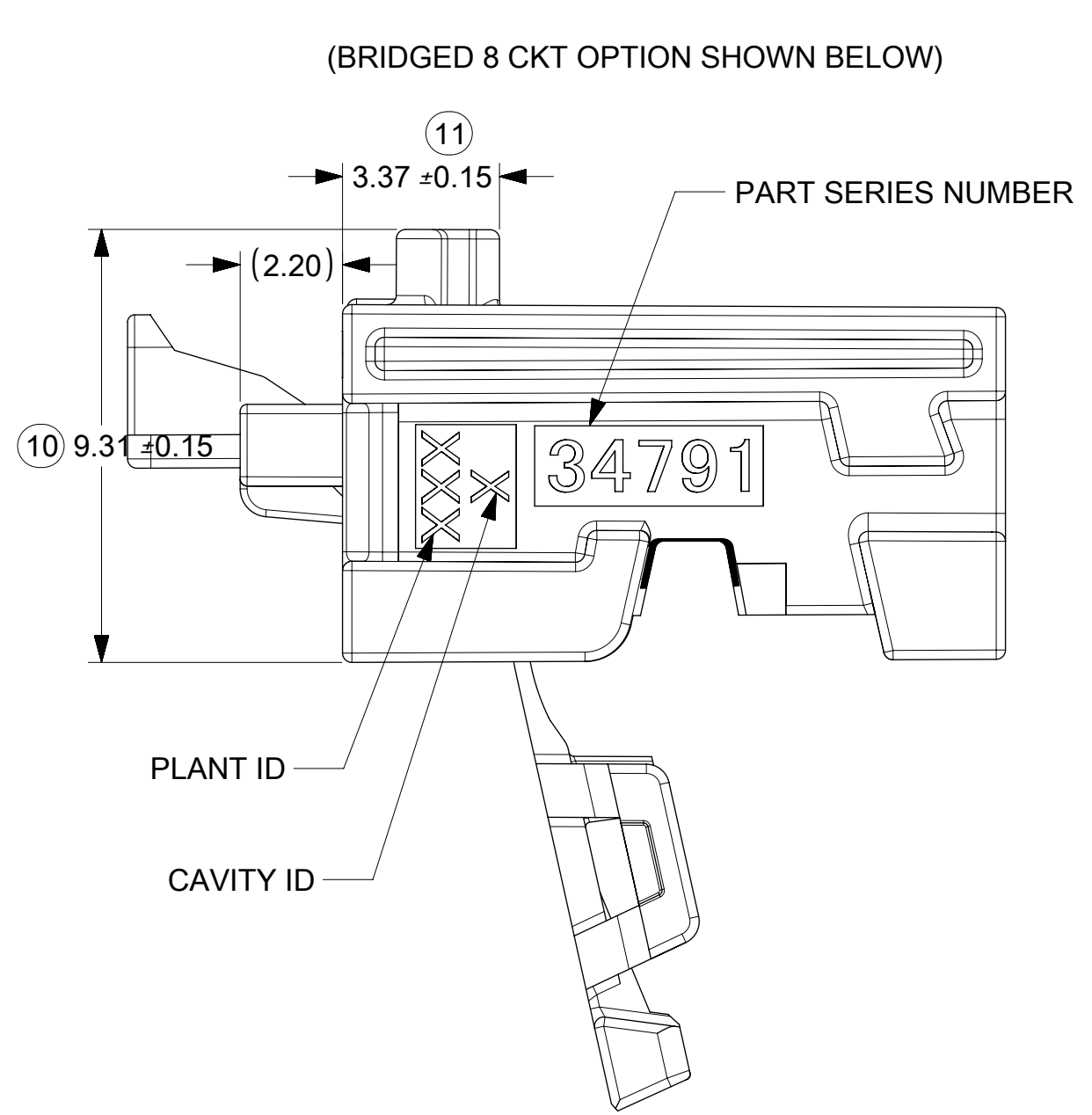
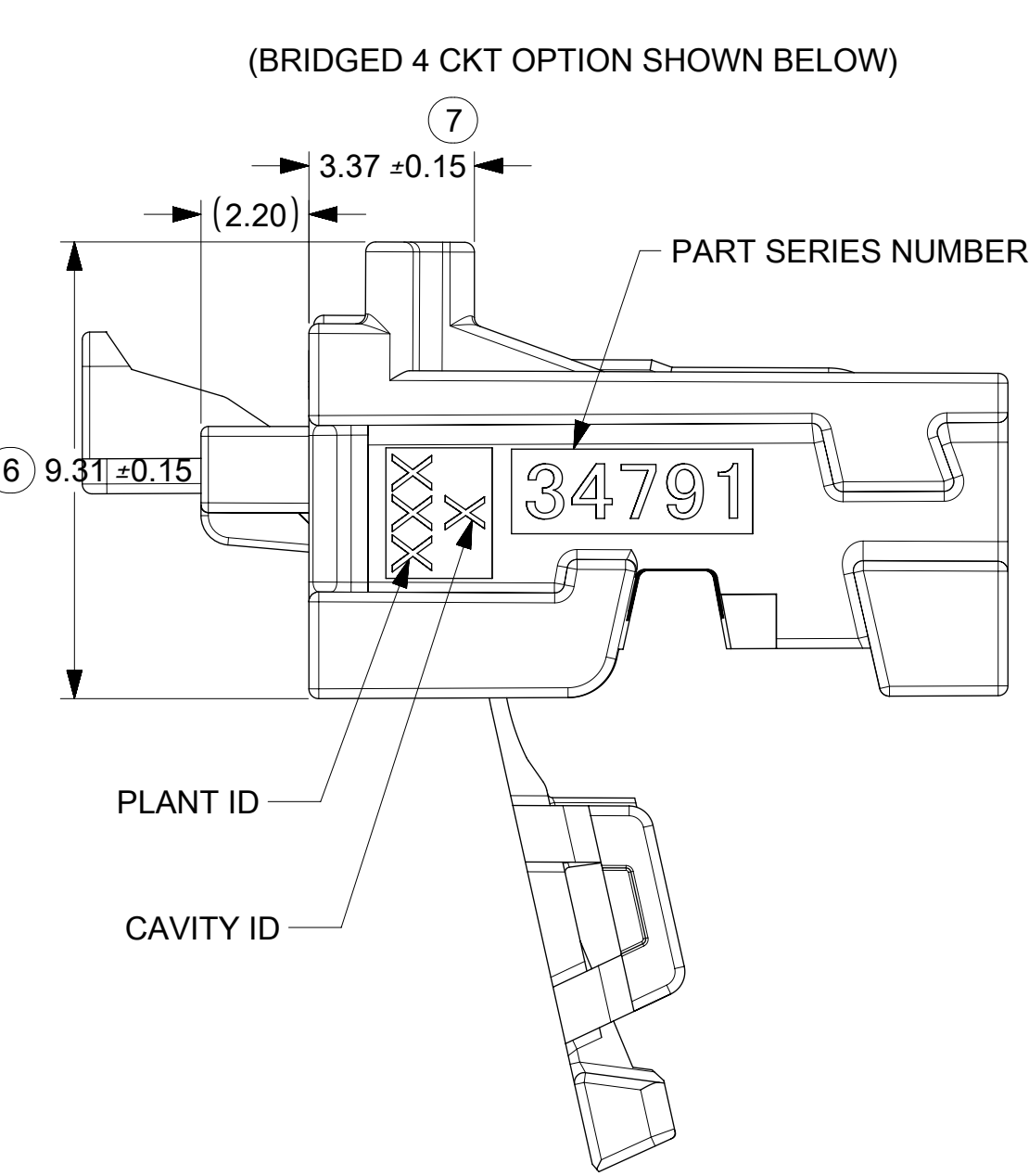
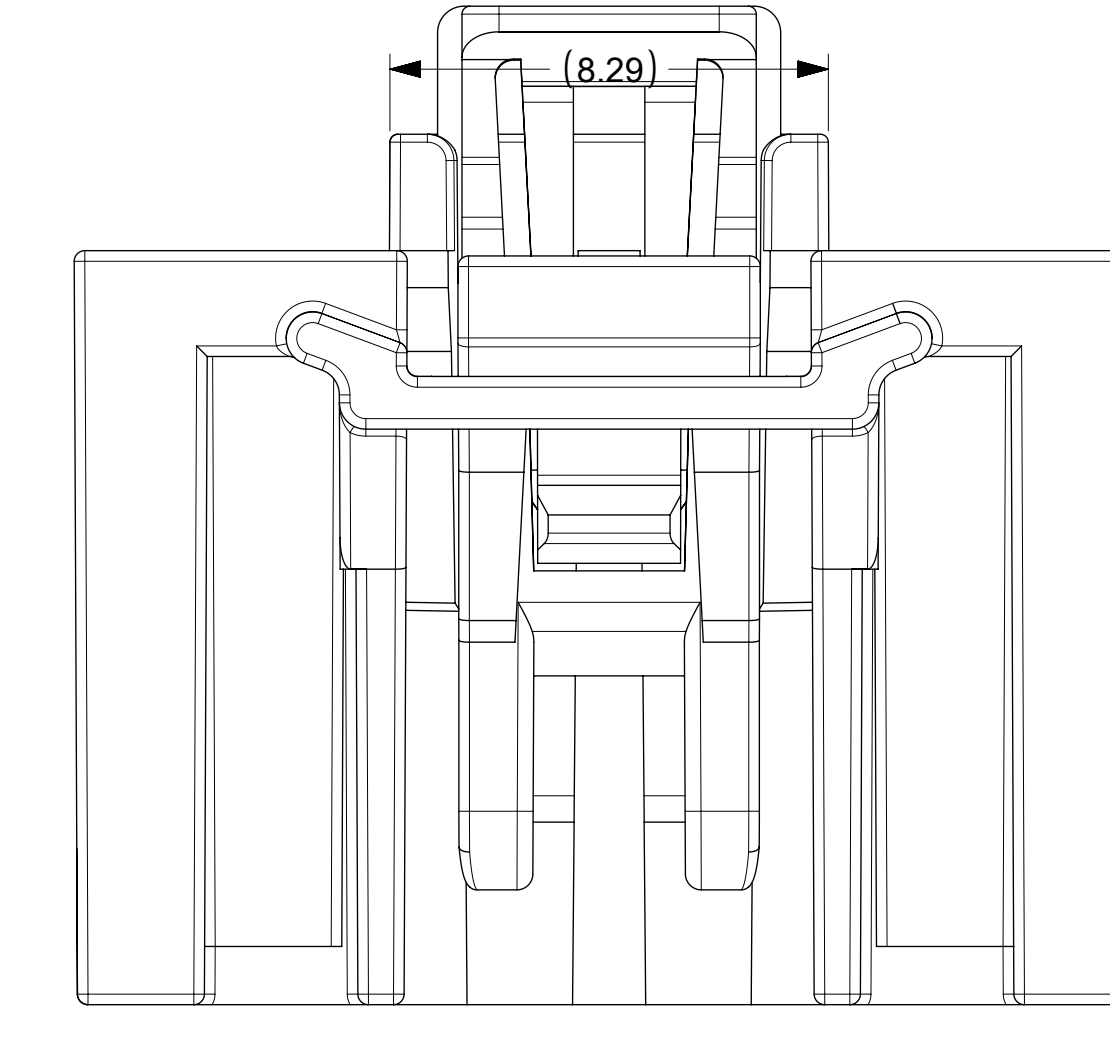
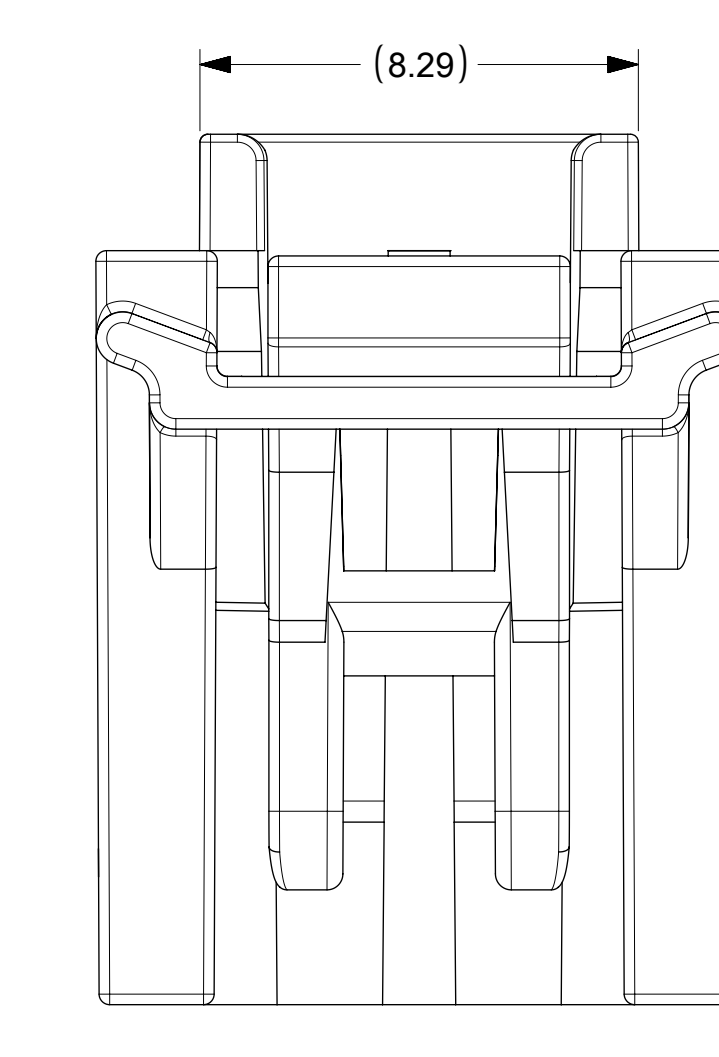
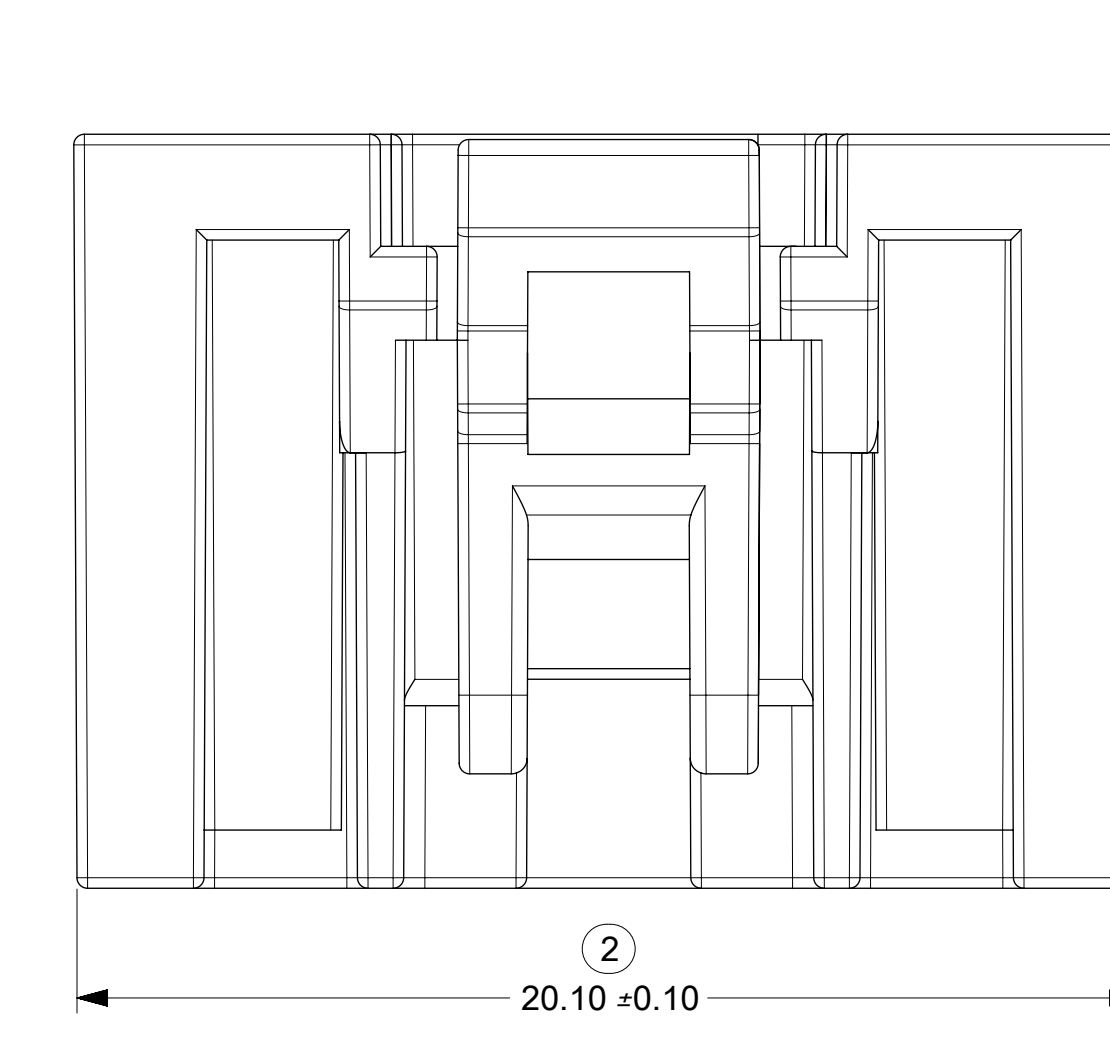
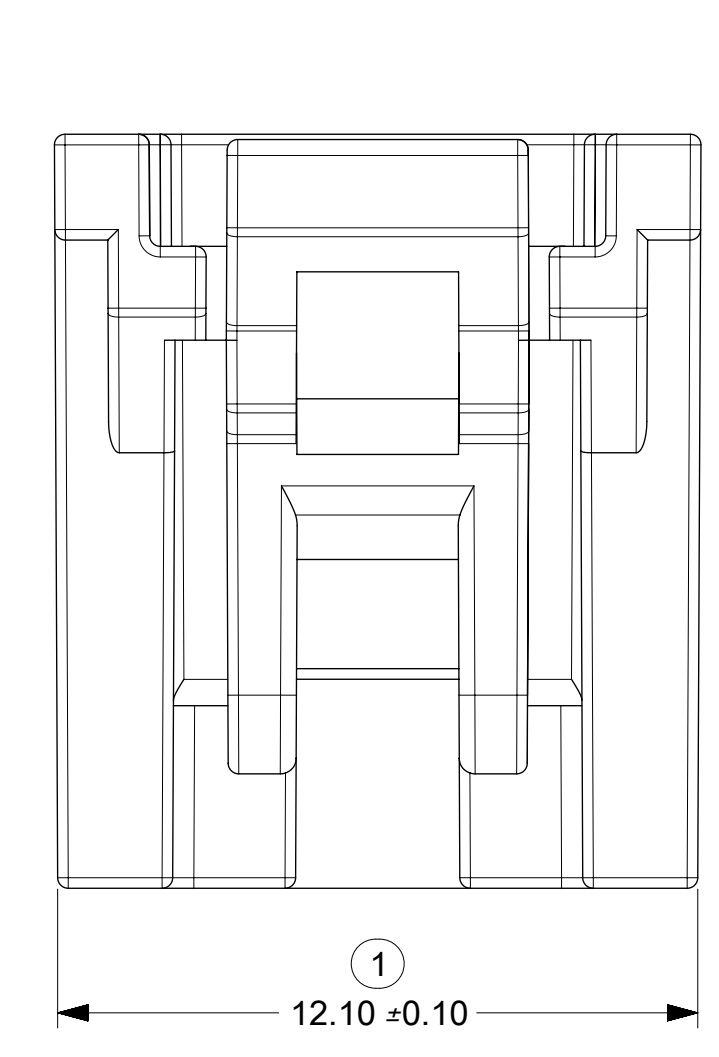
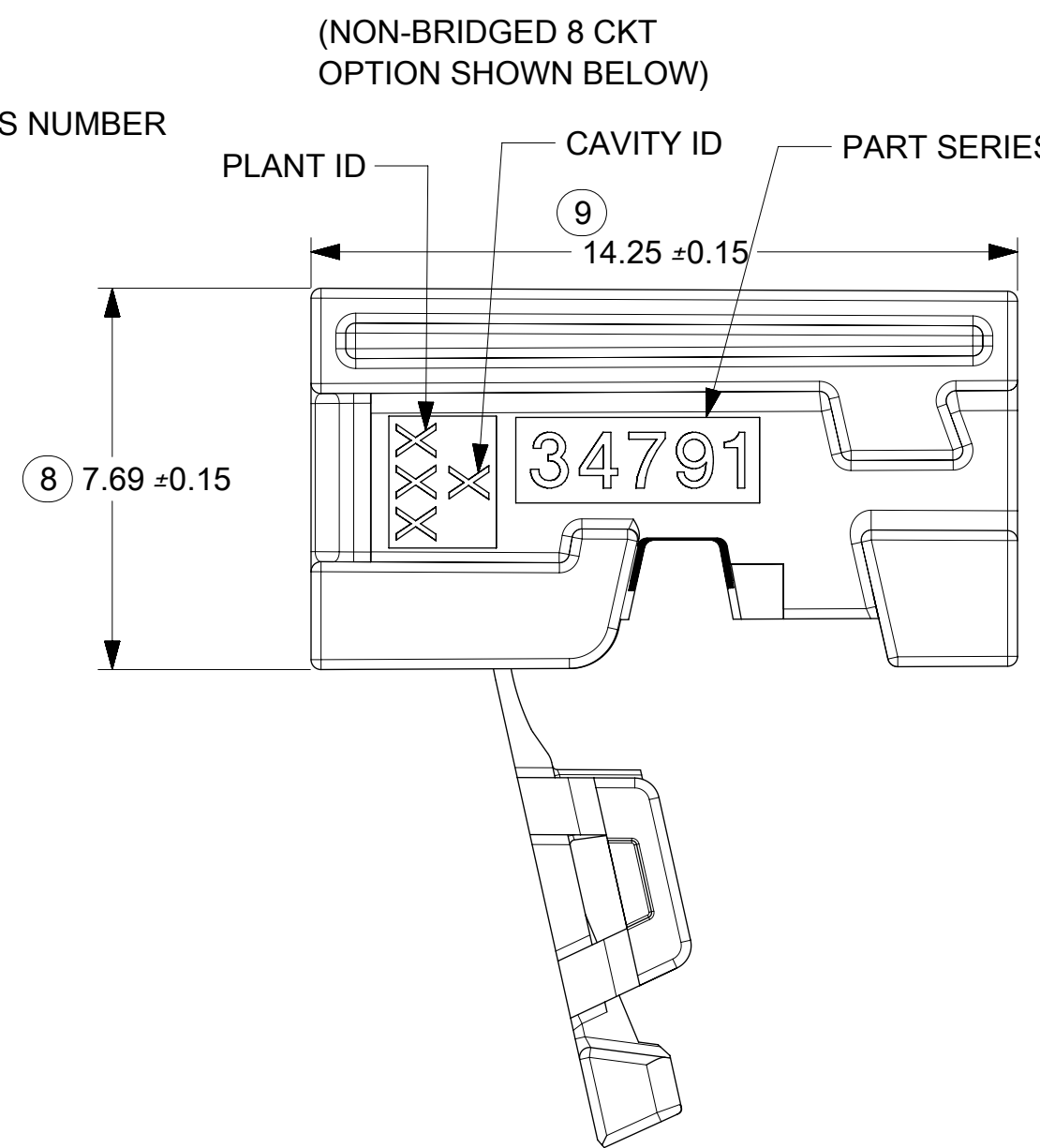
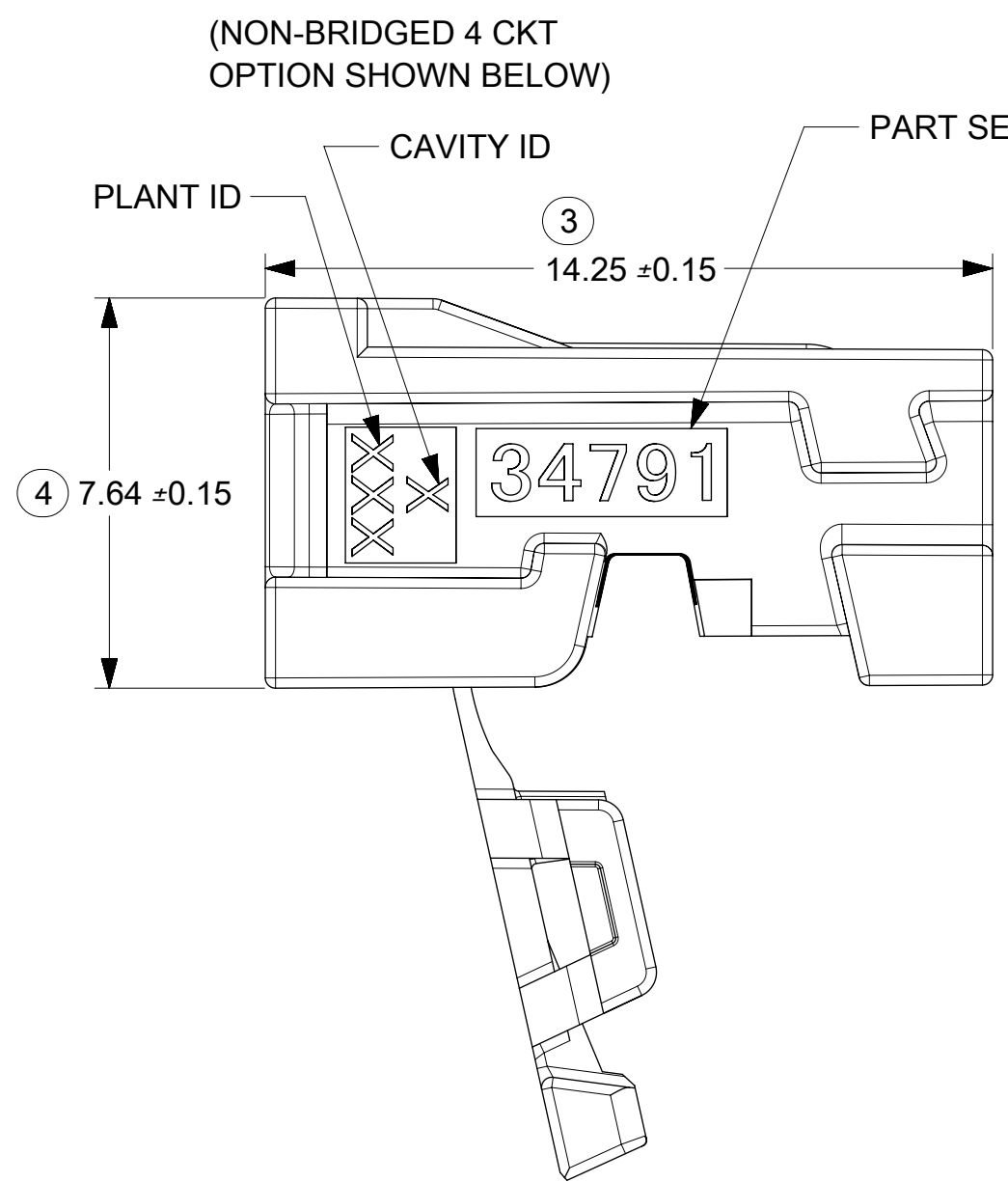
POLARIZATION
FEATURE
LOCATIONS

HINGE CLOSED
4 CIRCUIT RECEPTACLE SHOWN
(AS ASSEMBLED)

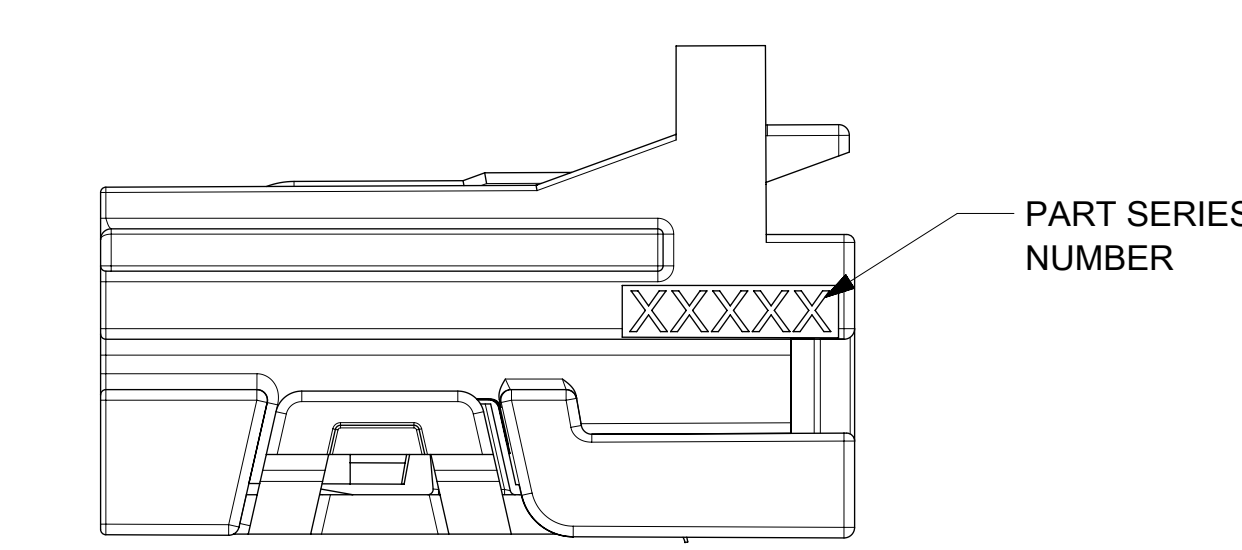
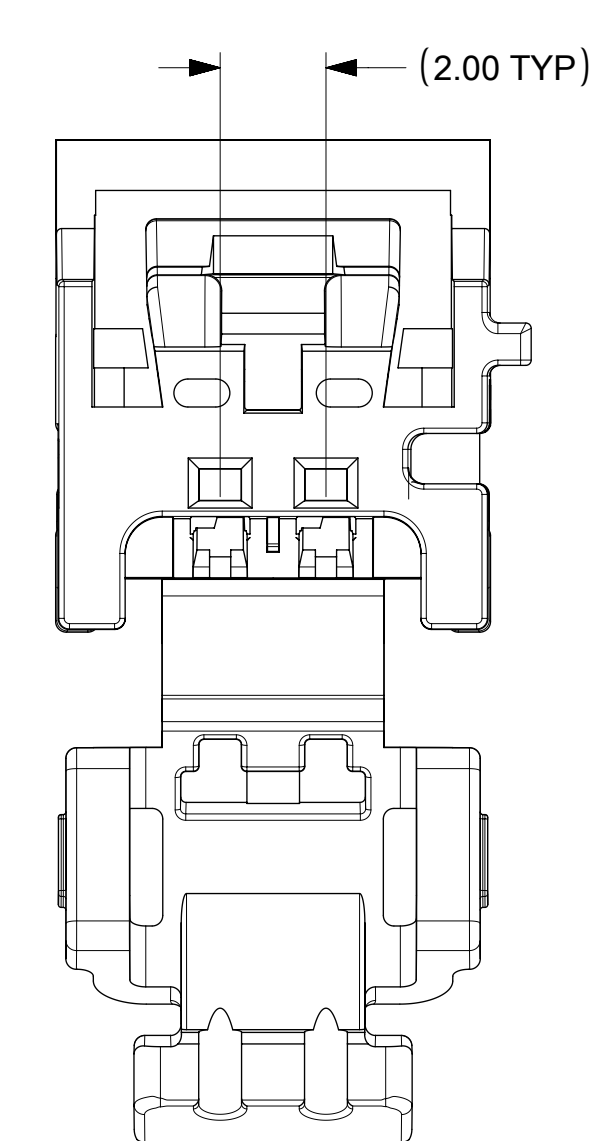
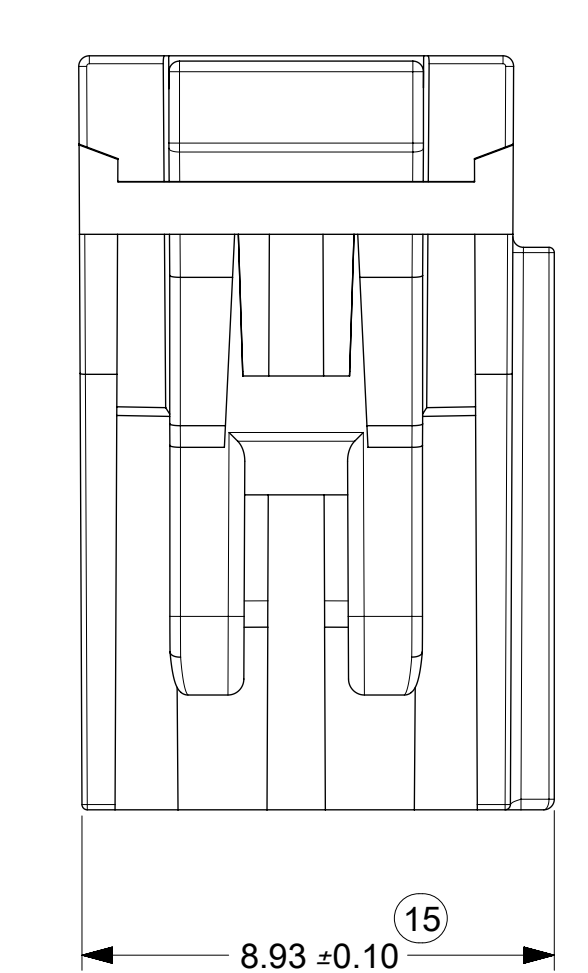
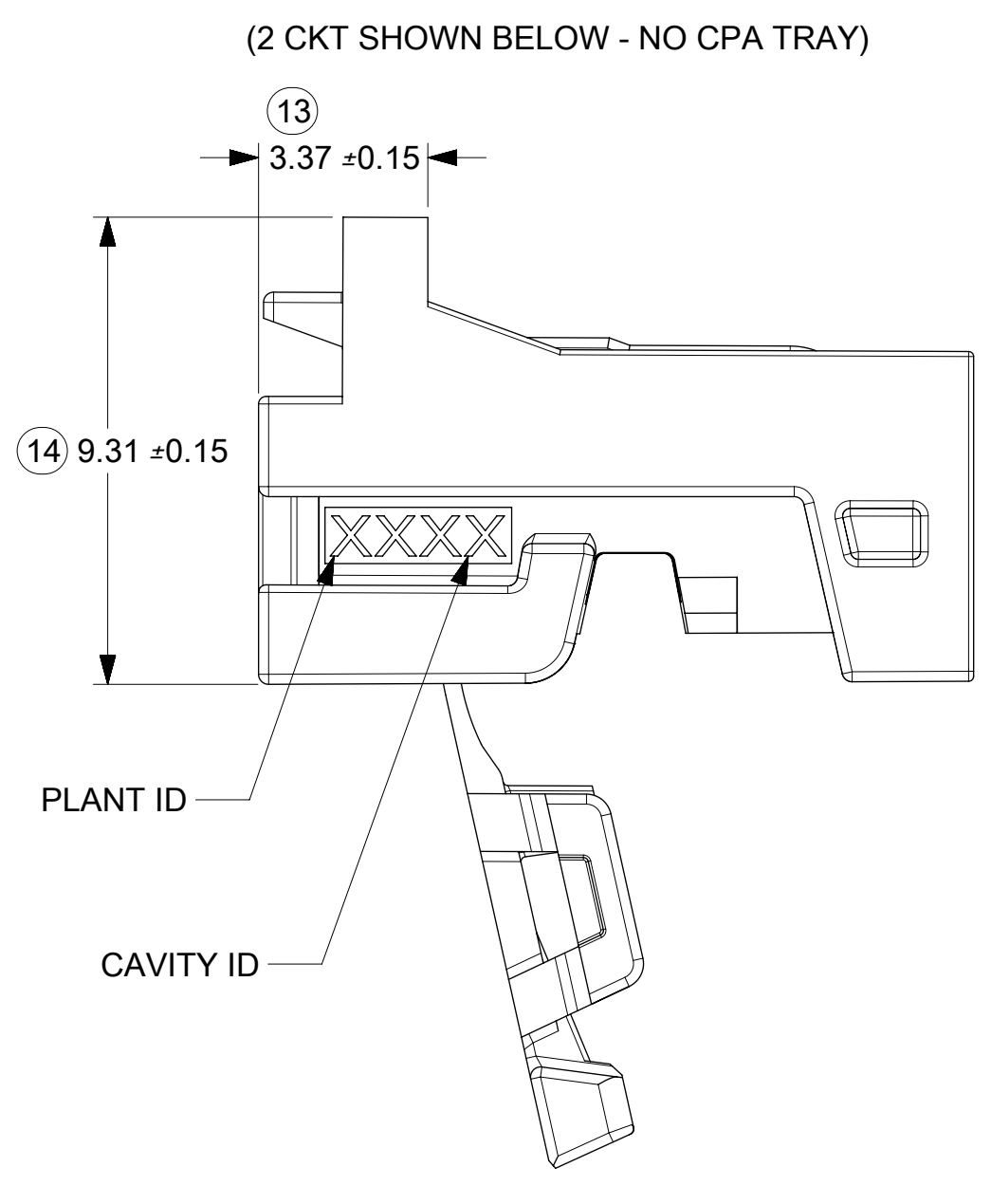


THIS DRAWING CONTAINS INFORMATION THAT IS PROPRIETARY TO MOLEX ELECTRONIC TECHNOLOGIES, LLC AND SHOULD NOT BE USED WITHOUT WRITTEN PERMISSION

EC NO: 608500 DRWN: JOYA CHKD: JDUNAJ REV APPR: JDUNAJ	2018/11/29 2018/12/03 2018/12/03	GENERAL TOLERANCES (UNLESS SPECIFIED)	DIMENSION UNITS MM ONLY	SCALE 5:1				
	4 PLACES ± 3 PLACES ± 2 PLACES ± 1 PLACE ± 0 PLACES ±	ANGULAR TOL ± °	DRWN BY JDUNAJ	DATE 2010/06/24		MINI50 SINGLE ROW RECEPTACLE SALES DRAWING		
	DRAFT WHERE APPLICABLE MUST REMAIN WITHIN DIMENSIONS	APPR BY SMARCEAU	DATE 2011/11/21	PRODUCT CUSTOMER DRAWING				
	L5	DRAWING SIZE D	THIRD ANGLE PROJECTION	SERIES 34791			MATERIAL NUMBER SEE TABLE	CUSTOMER GENERAL MARKET
	RELEASE STATUS	RELEASE DATE	DOCUMENT NUMBER SD-34791-001	DOC TYPE PSD			DOC PART 000	SHEET NUMBER 2 OF 5



4 CKT RECEPTACLE SHOWN BELOW.
8 CKT RECEPTACLE HAS SIMILAR
CIRCUIT ID LOCATION.



THIS DRAWING CONTAINS INFORMATION THAT IS PROPRIETARY TO MOLEX ELECTRONIC TECHNOLOGIES, LLC AND SHOULD NOT BE USED WITHOUT WRITTEN PERMISSION

EC NO: 608500 DRWN: JOYA CHKD: JDUNAJ REV/ APPR: JDUNAJ	2018/11/29 2018/12/03 2018/12/03	GENERAL TOLERANCES (UNLESS SPECIFIED) ANGULAR TOL ± °	DIMENSION UNITS: MM ONLY SCALE: 7:1			
	4 PLACES ± 3 PLACES ± 2 PLACES ± 1 PLACE ± 0 PLACES ±	DRWN BY: JDUNAJ DATE: 2010/06/24 CHKD BY: BDICK DATE: 2010/06/24 APPR BY: SMARCEAU DATE: 2011/11/21	DRAFT WHERE APPLICABLE MUST REMAIN WITHIN DIMENSIONS			
L5	RELEASE STATUS: RELEASE DATE:	DOCUMENT NUMBER: SD-34791-001 DOC TYPE: PSD DOC PART: 000 SHEET NUMBER: 3 OF 5				

MINI50 RECEPTACLES

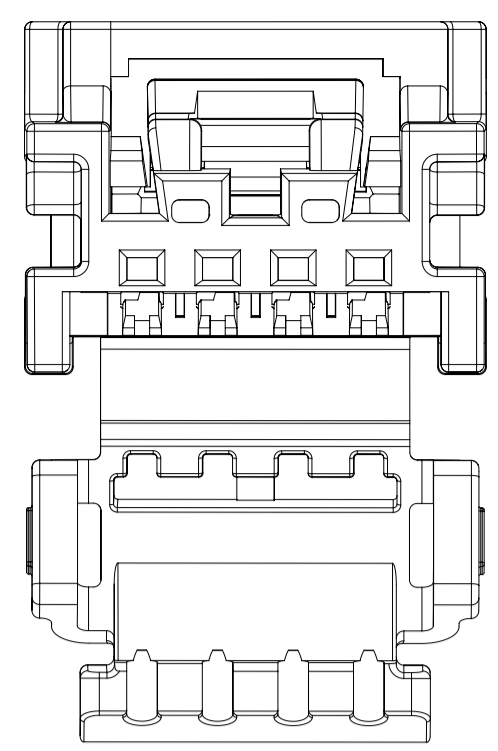
MATERIAL NUMBER BULK PACKAGING PK-31301-538	LOCK BRIDGE OPTION	CONFIGURATION	CIRCUIT	POL	COLOR	MATING COMPONENT									
						SURFACE MOUNT TECHNOLOGY (SMT) HEADER-TIN TAPE AND REEL PACKAGING PK-31301-786		SURFACE MOUNT TECHNOLOGY (SMT) HEADER-GOLD TAPE AND REEL PACKAGING PK-31301-786		VERTICAL THRU HOLE HEADER TRAY PACKAGING PK-31301-440		RIGHT ANGLE THRU HOLE HEADERS TRAY PACKAGING PK-31301-440		TUBE PACKAGING PK-31301-688	
						TUBE PACKAGING PK-31301-688	TUBE PACKAGING PK-31301-688	TUBE PACKAGING PK-31301-688	TUBE PACKAGING PK-31301-688	TUBE PACKAGING PK-31301-688	TUBE PACKAGING PK-31301-688	TUBE PACKAGING PK-31301-688	TUBE PACKAGING PK-31301-688		
34791-0040	NO	USCAR COMPATIBLE	4	A	BLACK	34912-8040	34912-9040	34912-6040	34912-5040	34792-0040	34792-9040	34793-0040	34793-9040		
34791-0041	NO	USCAR COMPATIBLE	4	B	GRAY	34912-8041	34912-9041	34912-6041	34912-5041	34792-0041	34792-9041	34793-0041	34793-9041		
34791-0042	NO	USCAR COMPATIBLE	4	C	DARK GRAY	34912-8042	34912-9042	34912-6042	34912-5042	34792-0042	34792-9042	34793-0042	34793-9042		
34791-0043	NO	USCAR COMPATIBLE	4	D	GREEN	34912-8043	34912-9043	34912-6043	34912-5043	34792-0043	34792-9043	34793-0043	34793-9043		
34791-0080	NO	USCAR COMPATIBLE	8	A	BLACK	34912-8080	34912-9080	34912-6080	34912-5080	34792-0080	34792-9080	34793-0080	34793-9080		
34791-0081	NO	USCAR COMPATIBLE	8	B	GRAY	34912-8081	34912-9081	34912-6081	34912-5081	34792-0081	34792-9081	34793-0081	34793-9081		
34791-0082	NO	USCAR COMPATIBLE	8	C	DARK GRAY	34912-8082	34912-9082	34912-6082	34912-5082	34792-0082	34792-9082	34793-0082	34793-9082		
34791-0140	YES	USCAR COMPATIBLE	4	A	BLACK	34912-8040	34912-9040	34912-6040	34912-5040	34792-0040	34792-9040	34793-0040	34793-9040		
34791-0141	YES	USCAR COMPATIBLE	4	B	GRAY	34912-8041	34912-9041	34912-6041	34912-5041	34792-0041	34792-9041	34793-0041	34793-9041		
34791-0142	YES	USCAR COMPATIBLE	4	C	DARK GRAY	34912-8042	34912-9042	34912-6042	34912-5042	34792-0042	34792-9042	34793-0042	34793-9042		
34791-0143	YES	USCAR COMPATIBLE	4	D	GREEN	34912-8043	34912-9043	34912-6043	34912-5043	34792-0043	34792-9043	34793-0043	34793-9043		
34791-0180	YES	USCAR COMPATIBLE	8	A	BLACK	34912-8080	34912-9080	34912-6080	34912-5080	34792-0080	34792-9080	34793-0080	34793-9080		
34791-0181	YES	USCAR COMPATIBLE	8	B	GRAY	34912-8081	34912-9081	34912-6081	34912-5081	34792-0081	34792-9081	34793-0081	34793-9081		
34791-0182	YES	USCAR COMPATIBLE	8	C	DARK GRAY	34912-8082	34912-9082	34912-6082	34912-5082	34792-0082	34792-9082	34793-0082	34793-9082		
34791-0020	YES	MOLEX	2	A	BLACK	34912-8020	34912-9020	34912-6020	34912-5020	N/A	N/A	N/A	N/A		
34791-0021	YES	MOLEX	2	B	GRAY	34912-8021	34912-9021	34912-6021	34912-5021	N/A	N/A	N/A	N/A		
34791-0022	YES	MOLEX	2	C	DARK GRAY	34912-8022	34912-9022	34912-6022	34912-5022	N/A	N/A	N/A	N/A		
34791-0023	YES	MOLEX	2	D	GREEN	34912-8023	34912-9023	34912-6023	34912-5023	N/A	N/A	N/A	N/A		

CTX50 UNSEALED RECEPTACLE TERMINALS

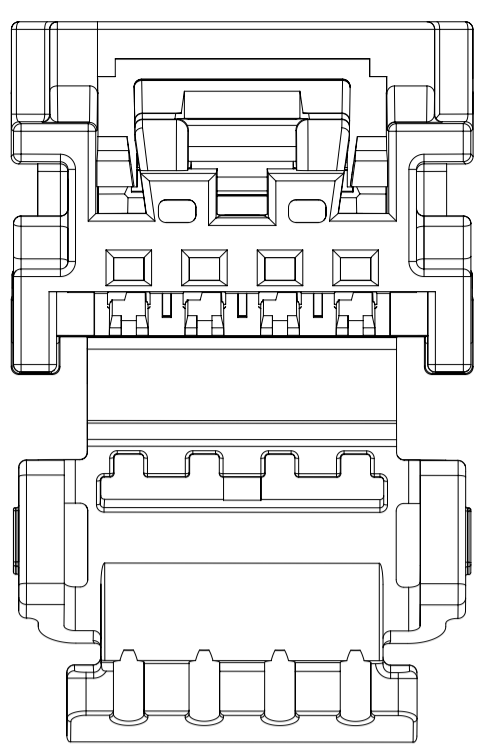
PART NUMBER		MATERIAL	WIRE GAGE (mm ²)	GRIP
D-WIND (LEFT PAYOFF)	B-WIND (RIGHT PAYOFF)			
560023-0448	560023-0450	COPPER ALLOY	0.35	LARGE
560023-0421	560023-0423	COPPER ALLOY	0.22	MEDIUM
560023-0422	560023-0424	COPPER ALLOY	0.13	SMALL

THIS DRAWING CONTAINS INFORMATION THAT IS PROPRIETARY TO MOLEX ELECTRONIC TECHNOLOGIES, LLC AND SHOULD NOT BE USED WITHOUT WRITTEN PERMISSION

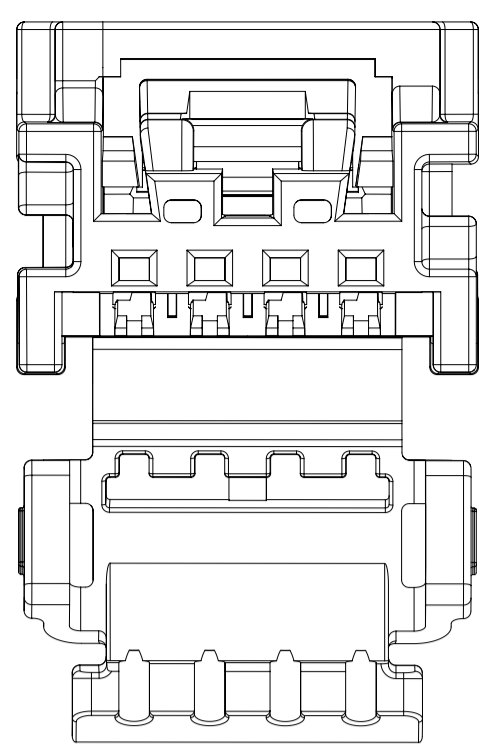
EC NO: 608500 DRWN: JOYA CHKD: JDUNAJ REV APPR: JDUNAJ	2018/11/29 2018/12/03 2018/12/03	GENERAL TOLERANCES (UNLESS SPECIFIED) ANGULAR TOL ± °	DIMENSION UNITS MM ONLY	SCALE 5:1	<p style="margin: 0;">MINI50 SINGLE ROW RECEPTACLE SALES DRAWING</p> <p style="margin: 0;">PRODUCT CUSTOMER DRAWING</p>	
	4 PLACES ±		DRWN BY JDUNAJ	DATE 2010/06/24		
	3 PLACES ±		CHKD BY BDICK	DATE 2010/06/24		
	2 PLACES ±		APPR BY SMARCEAU	DATE 2011/11/21		
	1 PLACE ±		DRAFT WHERE APPLICABLE MUST REMAIN WITHIN DIMENSIONS			
0 PLACES ±		DRAWING SIZE D	THIRD ANGLE PROJECTION 			
L5		SERIES 34791	MATERIAL NUMBER SEE TABLE	CUSTOMER GENERAL MARKET		
RELEASE STATUS		DOCUMENT NUMBER SD-34791-001		DOC TYPE PSD	DOC PART 000	SHEET NUMBER 5 OF 5



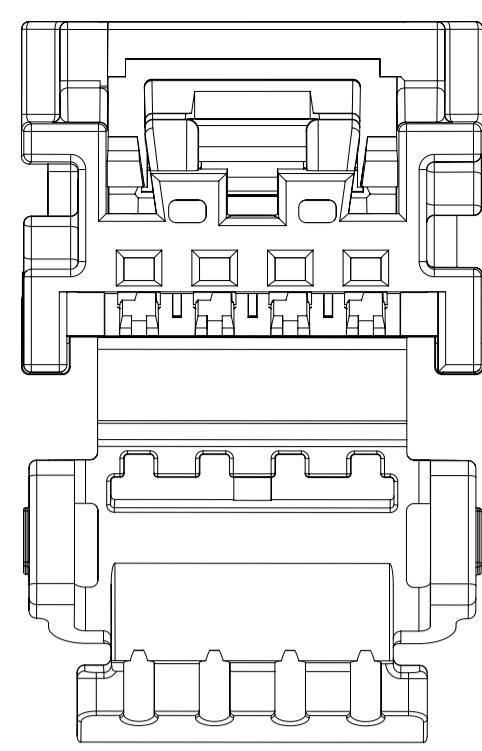
4CKT BRIDGED RECEPTACLE WITH CPA POLARIZATION OPTION A



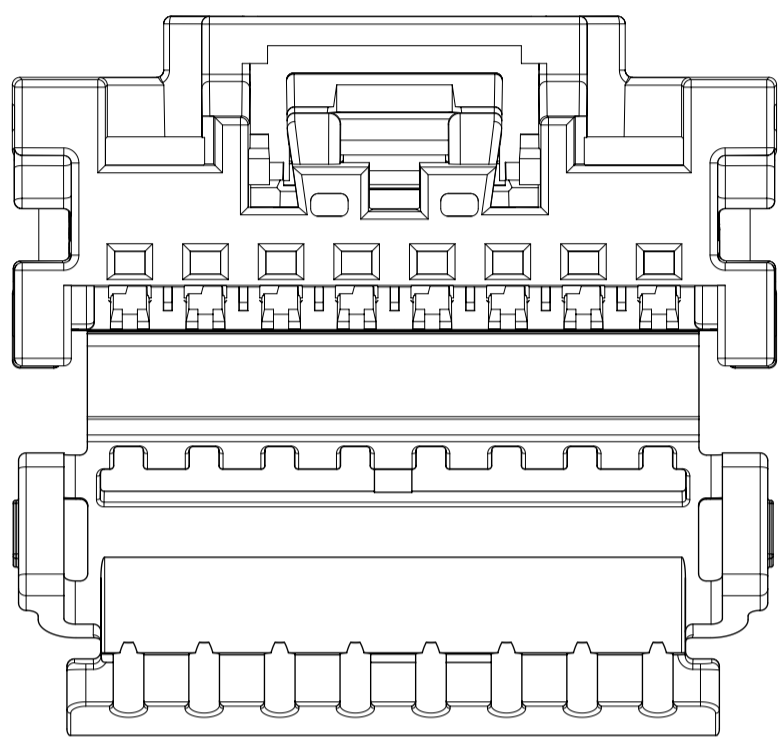
4CKT BRIDGED RECEPTACLE WITH CPA POLARIZATION OPTION B



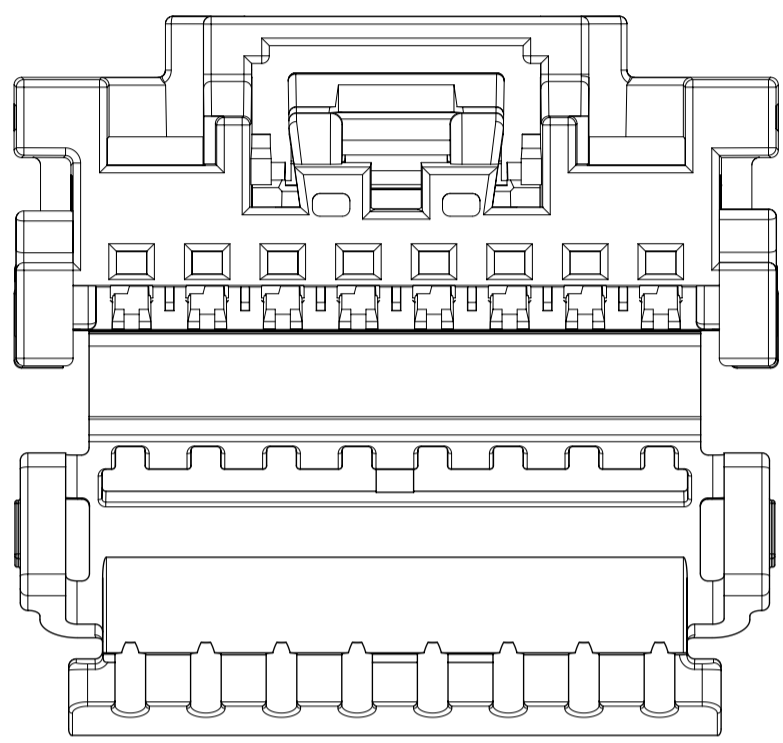
4CKT BRIDGED RECEPTACLE WITH CPA POLARIZATION OPTION C



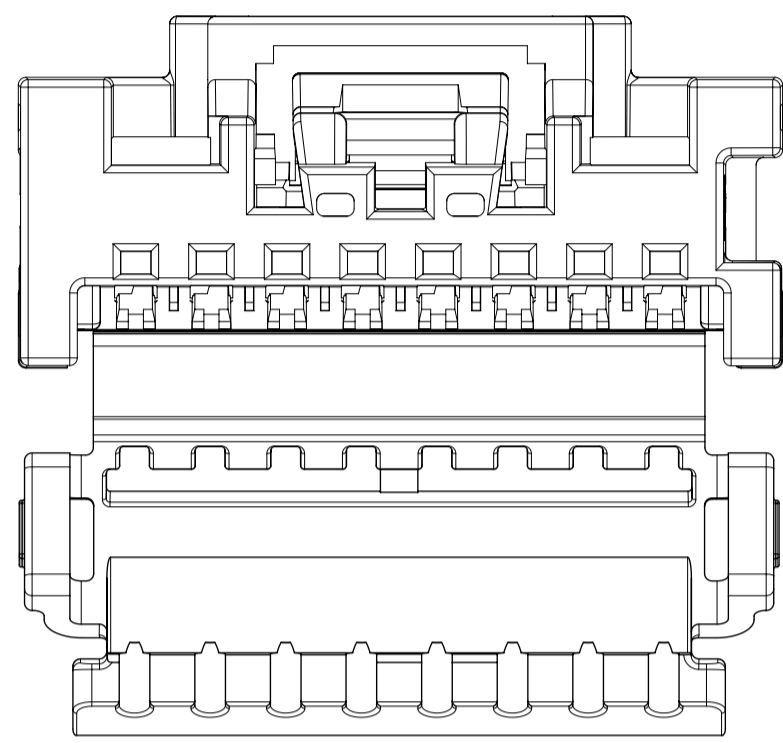
4CKT BRIDGED RECEPTACLE WITH CPA POLARIZATION OPTION D



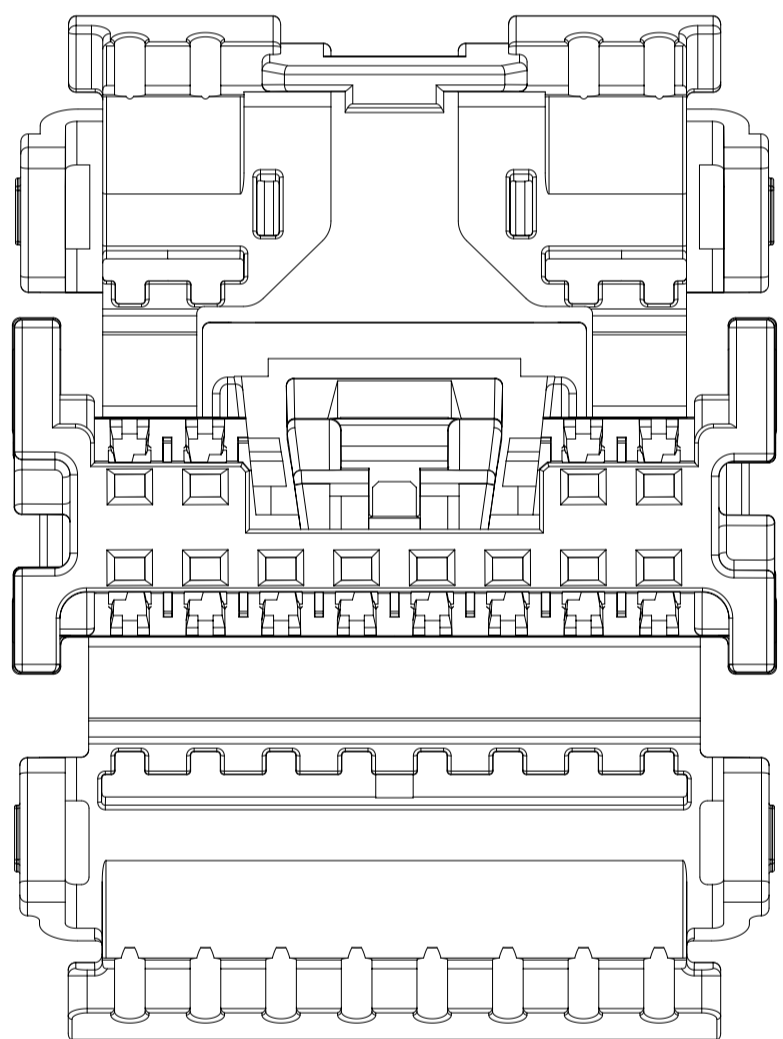
8CKT BRIDGED RECEPTACLE WITH CPA POLARIZATION OPTION A



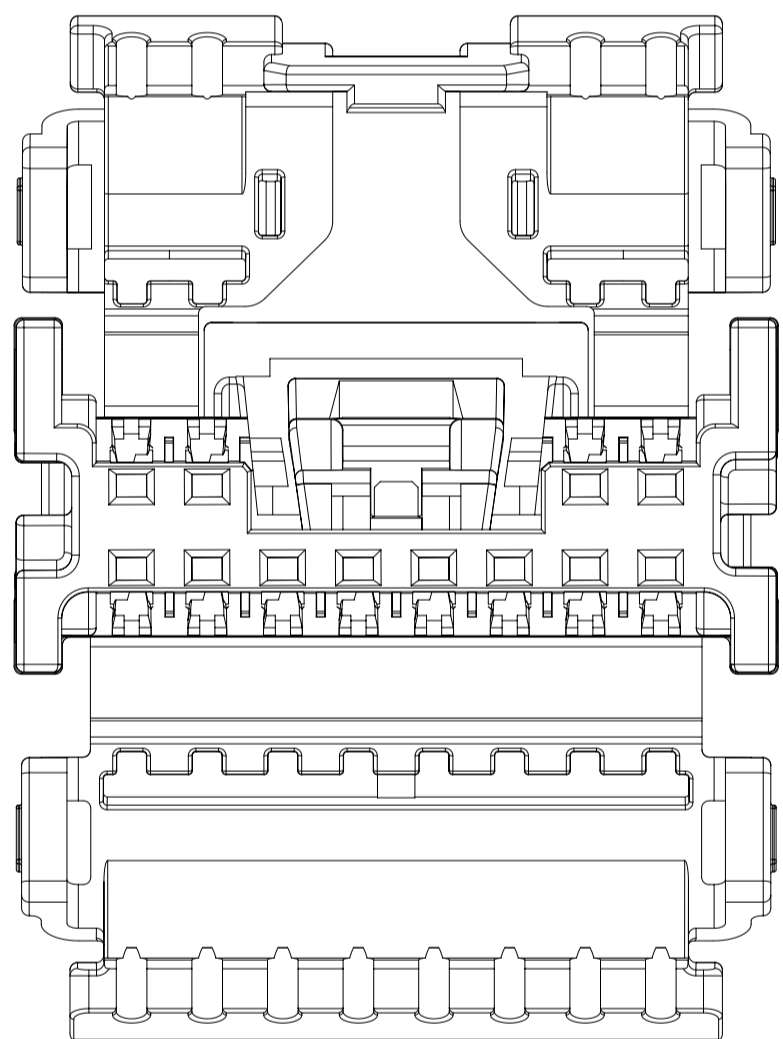
8CKT BRIDGED RECEPTACLE WITH CPA POLARIZATION OPTION B



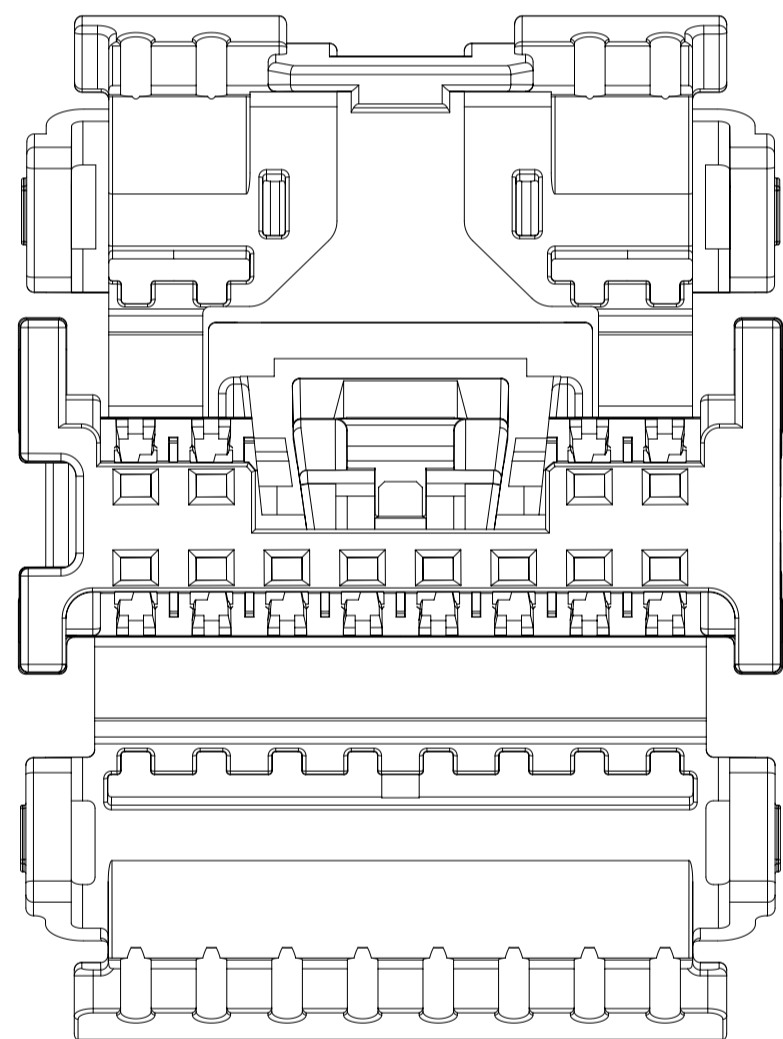
8CKT BRIDGED RECEPTACLE WITH CPA POLARIZATION OPTION C



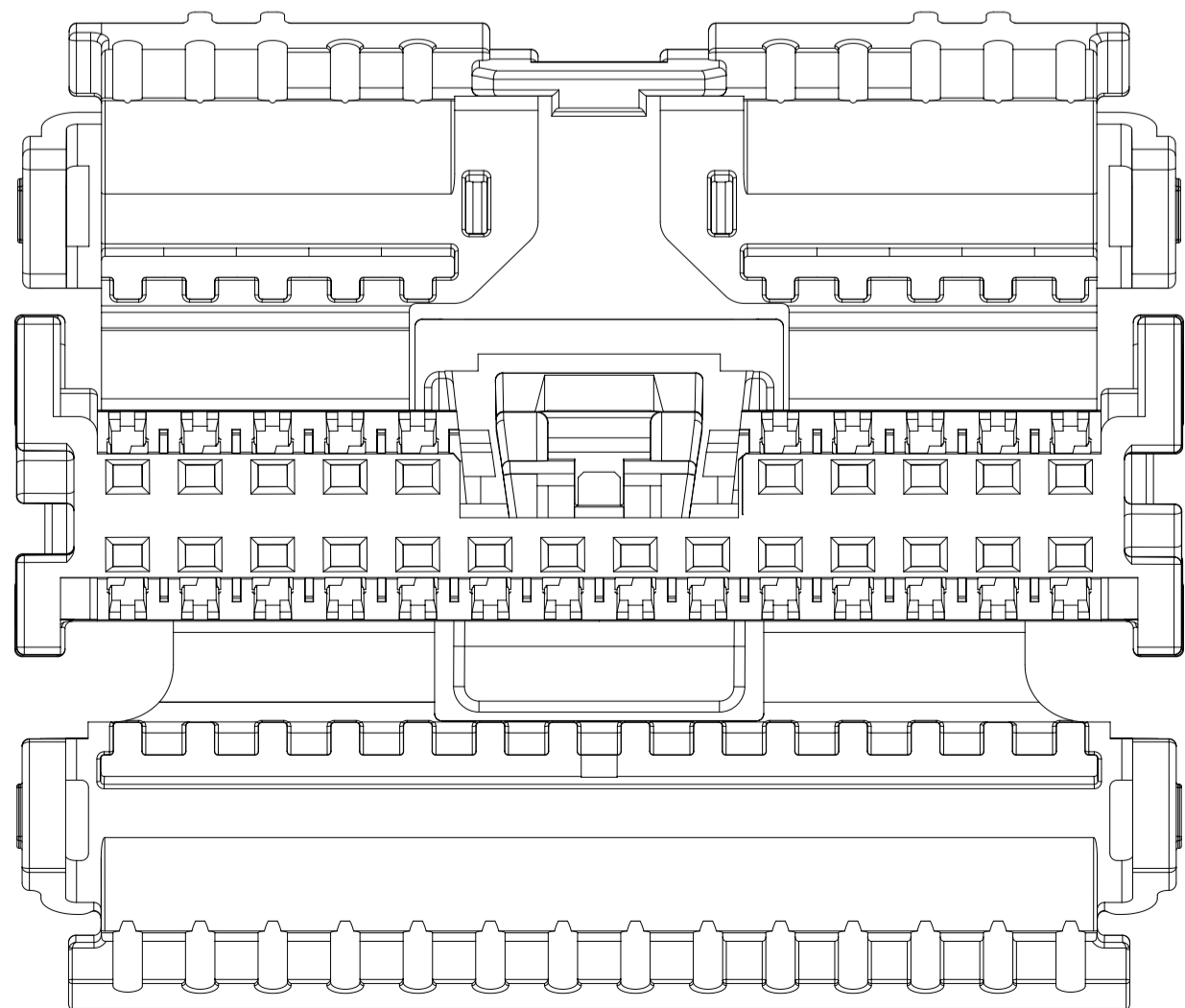
12CKT BRIDGED RECEPTACLE WITH CPA POLARIZATION OPTION A



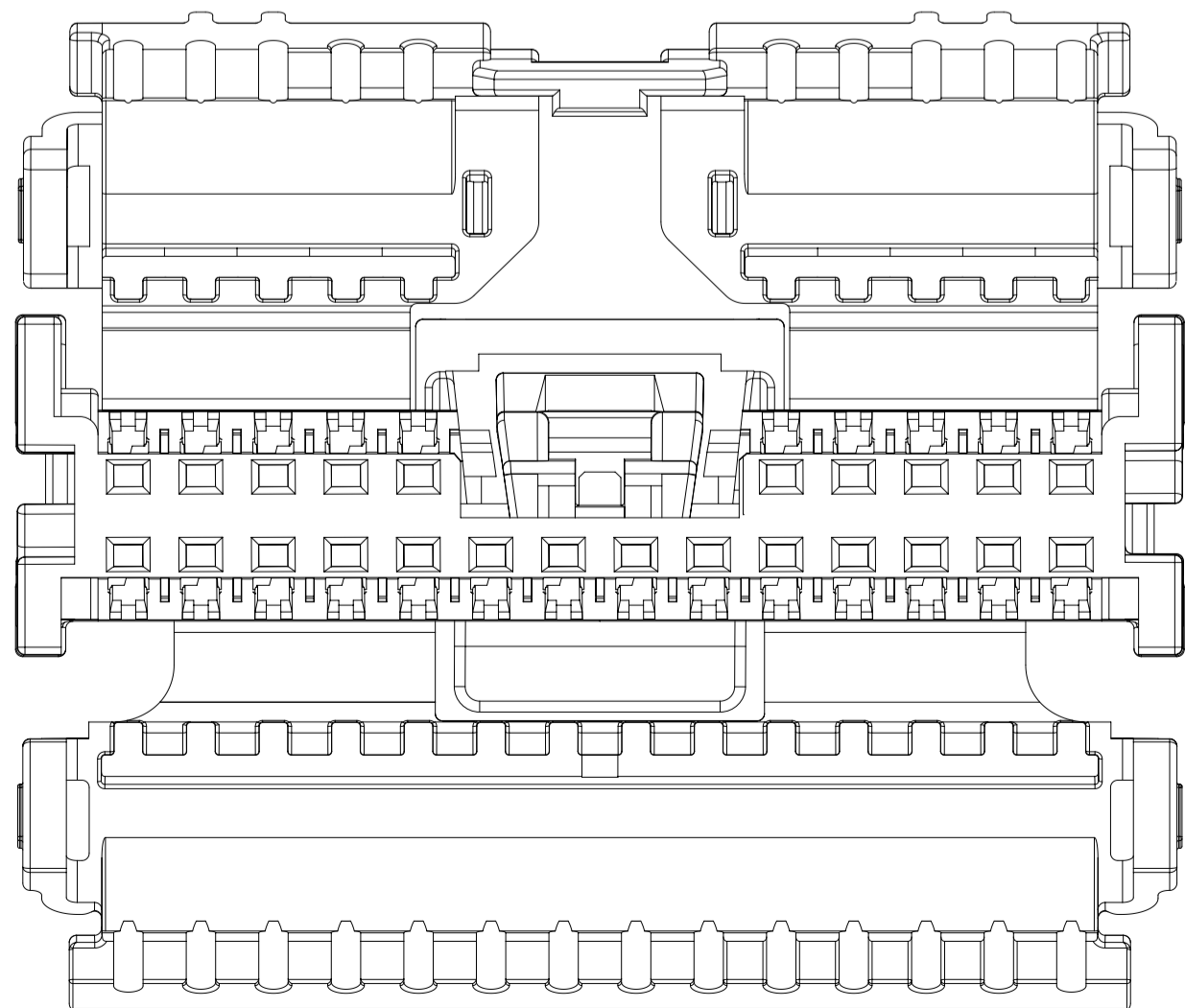
12CKT BRIDGED RECEPTACLE WITH CPA POLARIZATION OPTION B



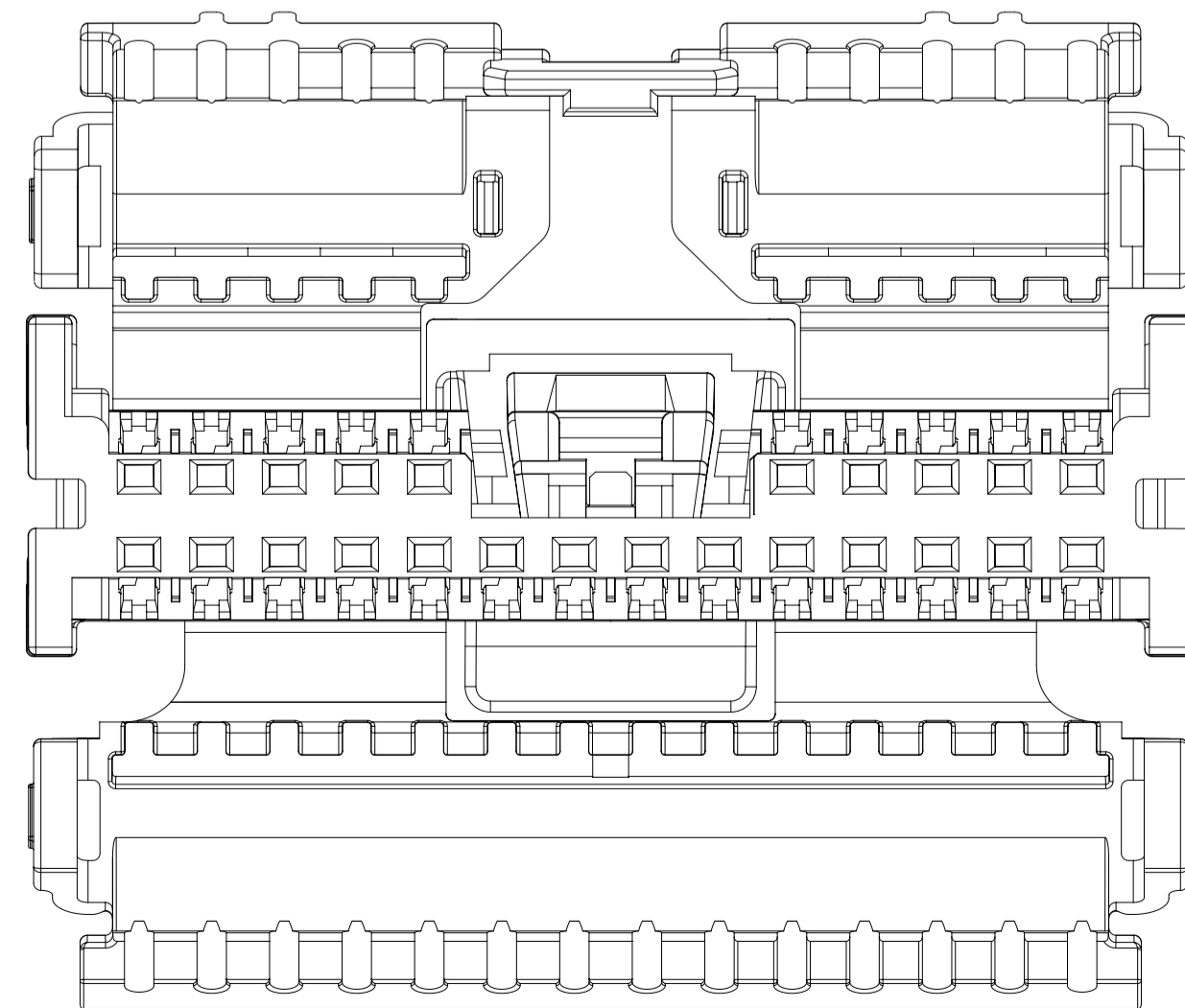
12CKT BRIDGED RECEPTACLE WITH CPA POLARIZATION OPTION C



24CKT BRIDGED RECEPTACLE WITH CPA POLARIZATION OPTION A



24CKT BRIDGED RECEPTACLE WITH CPA POLARIZATION OPTION B



24CKT BRIDGED RECEPTACLE WITH CPA POLARIZATION OPTION C

24CKT POLARIZATIONS ARE REPRESENTATIVE OF 16CKT AND 20CKT

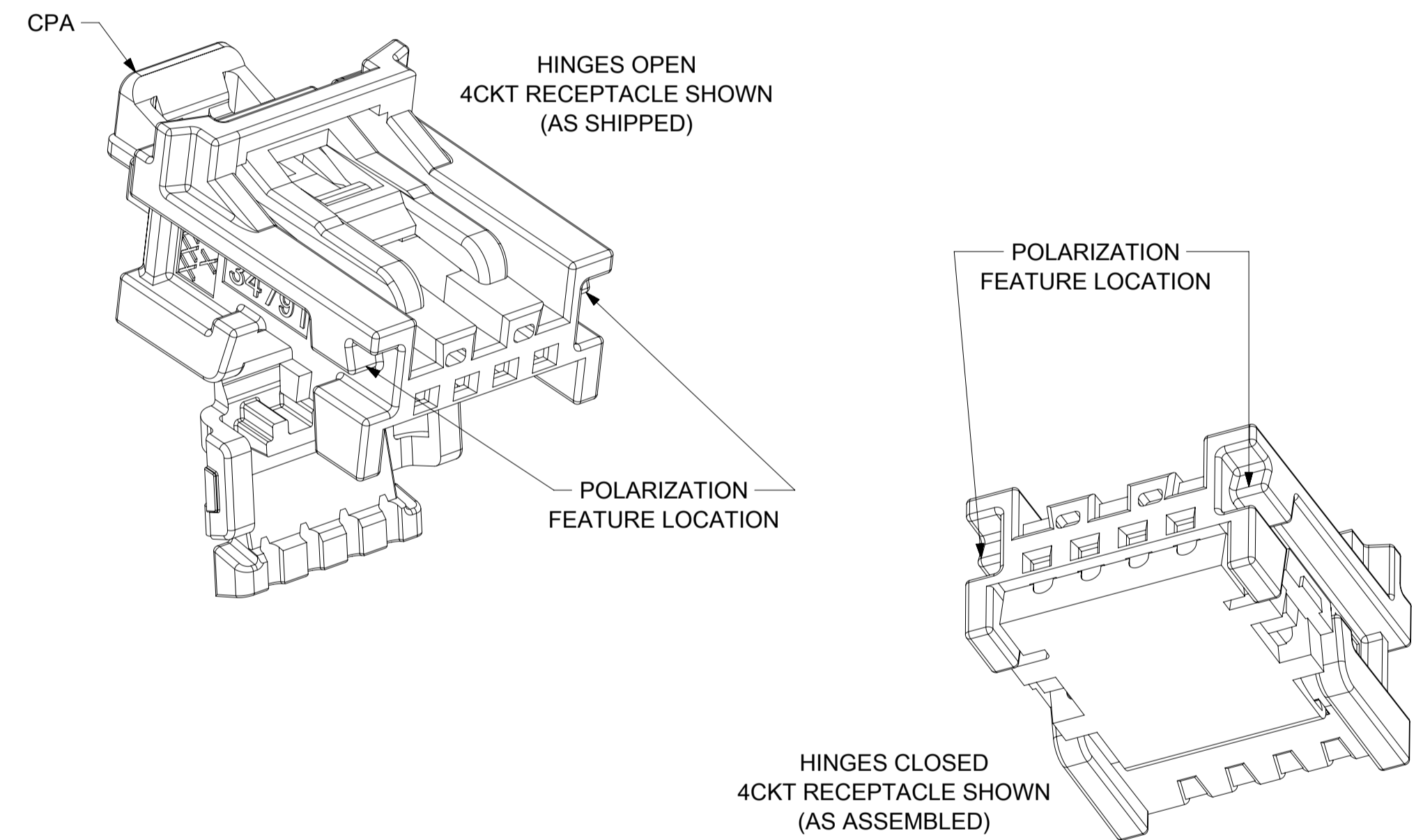
NOTES: VALID UNLESS OTHERWISE SPECIFIED

1. GENERAL:
 - a. APPLICATION SPECIFICATION SEE: AS-34791-020
 - b. PRODUCT SPECIFICATION SEE: PS-34791-020
 - c. PACKAGING SPECIFICATION PER MOLEX DRAWING: SEE CHART
 - d. PARTS MUST BE IN COMPLIANCE TO MOLEX CHEMICAL SUBSTANCES FOR PRODUCTS AND PACKAGING SPECIFICATION: QEHS-699000-301
 - e. DATA MUST BE SUBMITTED UNDER THE MOLEX PART NUMBER TO IMDS (COMPANY ID#13255)
 - f. FLAMMABILITY REQUIREMENT: PER ISO3795 OR GM3191
 1. BURN RATE 100 mm/MIN MAXIMUM
 - g. MATERIAL MUST BE SELF EXTINGUISHING
 - h. VISUAL DEFECTS SHALL MEET COSMETIC STANDARD PS-45499-002 (Class B)
 - i. FOR TERMINAL USAGE, REFER TO MOLEX SALES DRAWING SD-560023-002

2. DESIGN - MATERIALS:
 - a. SEE BOM FOR MATERIAL INFORMATION

3. DESIGN - GEOMETRY:
 - a. THIS IS A 100% CAD GENERATED PART. THE CAD MATHEMATICAL DATA IS THE MASTER FOR THIS PART. FOR DIMENSIONAL OR ANY INFORMATION NOT SHOWN ON THIS DRAWING, ANALYZE THE CAD MODEL.
 - b. GEOMETRIC DIMENSIONS AND TOLERANCES PER ASME Y14.5 - 2009
 - c. GENERAL TOLERANCES:
 1. LINEAR: PER DIN 16901 CODE B FOR PRECISION ENGINEERING (SEE TABLE)
 2. ANGULAR: $\pm 3^\circ$
 - d. EDGES AND UNDIMENSIONED DETAILS PER ISO13715
 - e. CORNERS SHOWN AS SHARP TO BE R 0.2 MAX
 - f. LETTERING SHALL BE 0.1 MAX RAISED IN 0.15 MAX RECESS PAD AND NOT PROTRUDE THE SURFACE. THIS INCLUDES RECYCLING CODE, PLANT ID, CAVITY ID, VENDOR ID, CIRCUIT ID, AND PART SERIES NUMBER.
 - g. DIMENSION APPLIES ONLY TO RECEPTACLES WITH LOCK BRIDGE OPTION.

4. DESIGN - FUNCTIONALITY:
 - a. HINGE DOES NOT AFFECT FUNCTION OF THE PART.



INSPECTION BALLOON LOG PER DRAWING REVISION: M9

LAST BALLOON USED: 21

ADDED BALLOON NUMBERS:

REMOVED BALLOON NUMBERS: 22-33

THIS DRAWING CONTAINS INFORMATION THAT IS PROPRIETARY TO MOLEX ELECTRONIC TECHNOLOGIES, LLC AND SHOULD NOT BE USED WITHOUT WRITTEN PERMISSION

DIMENSION UNITS: mm SCALE: 5:1

GENERAL TOLERANCES (UNLESS SPECIFIED)

ANGULAR TOL $\pm 1.0^\circ$

4 PLACES \pm

3 PLACES \pm

2 PLACES ± 0.1

1 PLACE ± 0.2

0 PLACES \pm

CURRENT REV DESC:

EC NO: 635574

DRWN: KHEWITT 2020/03/27

CHK'D: KHEWITT 2020/04/09

APPR: JDUNAJ 2020/04/10

INITIAL REVISION:

DRWN: TMACHUGA 2013/10/15

APPR: RBAUMAN 2013/11/13

M9	DRAWING REMASTERED SHEET 1: CORRECTED NOTE 2 SHEET 2-3: UPDATED VIEWS-NO GEOMETRY CHANGES SHEET 4: ADDED TAPE AND REEL P/N'S TO BOM
M8	DIMENSION ADDED ON SHEET 3
M6	ADDED DATUMS AND DATUM NOTE
M5	REMASTERING DRAWING
M2	UPDATED 24 CKT
REV	DESCRIPTION

molex

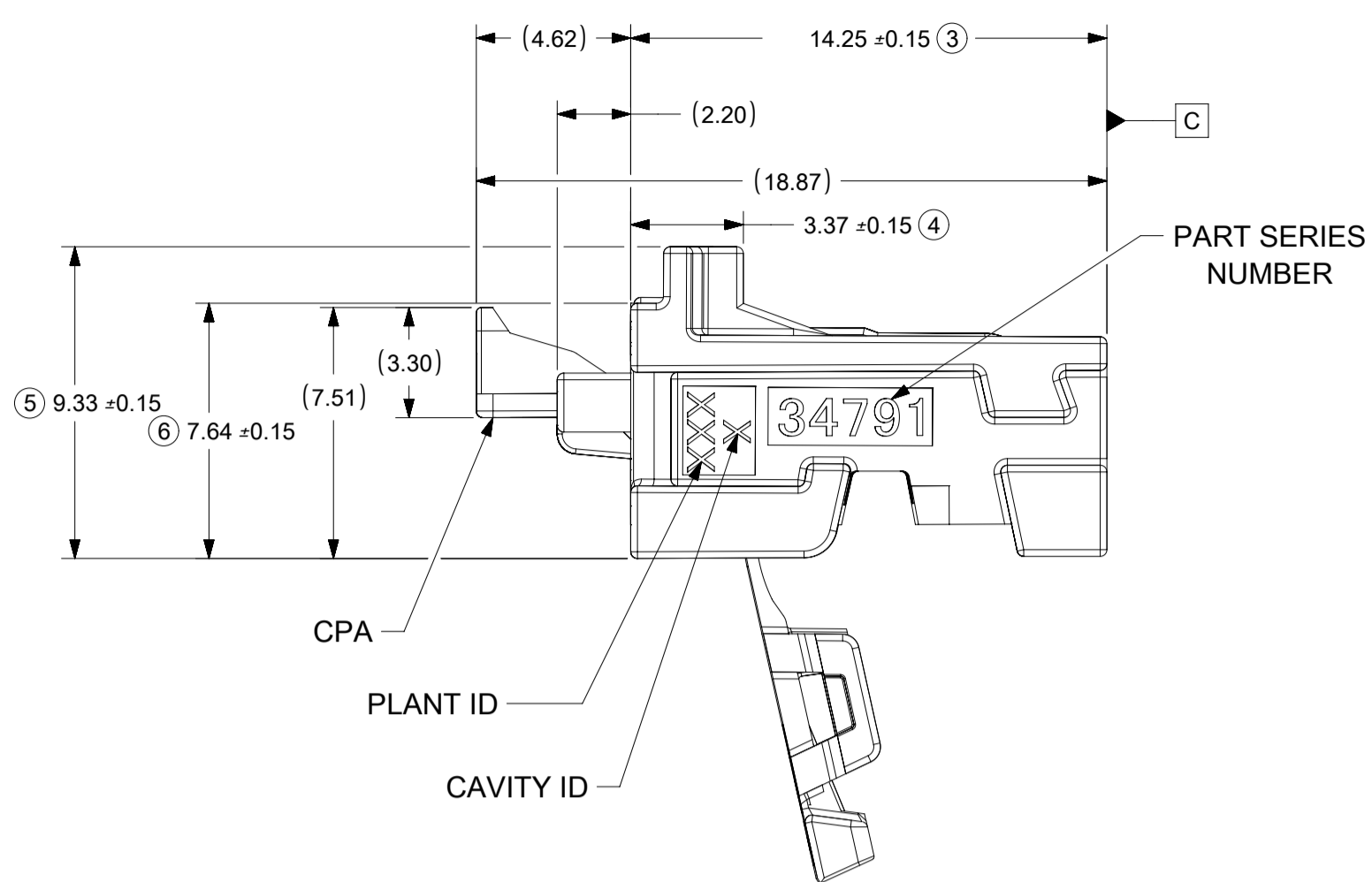
MINI50 RECEPTACLE WITH CPA SALES DRAWING

PRODUCT CUSTOMER DRAWING

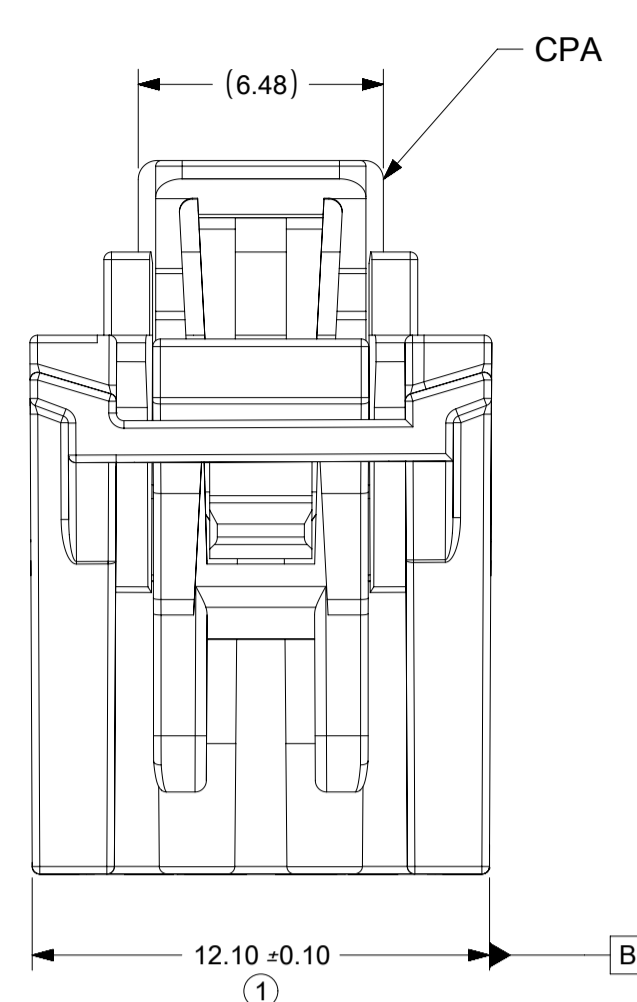
DOCUMENT NUMBER	DOC TYPE	DOC PART	REVISION
SD-34824-003	PSD	001	M9

DRAFT WHERE APPLICABLE MUST REMAIN WITHIN DIMENSIONS	THIRD ANGLE PROJECTION	DRAWING	SERIES	MATERIAL NUMBER	CUSTOMER	SHEET NUMBER
		A1-SIZE	34824		GENERAL MARKET	1 OF 4

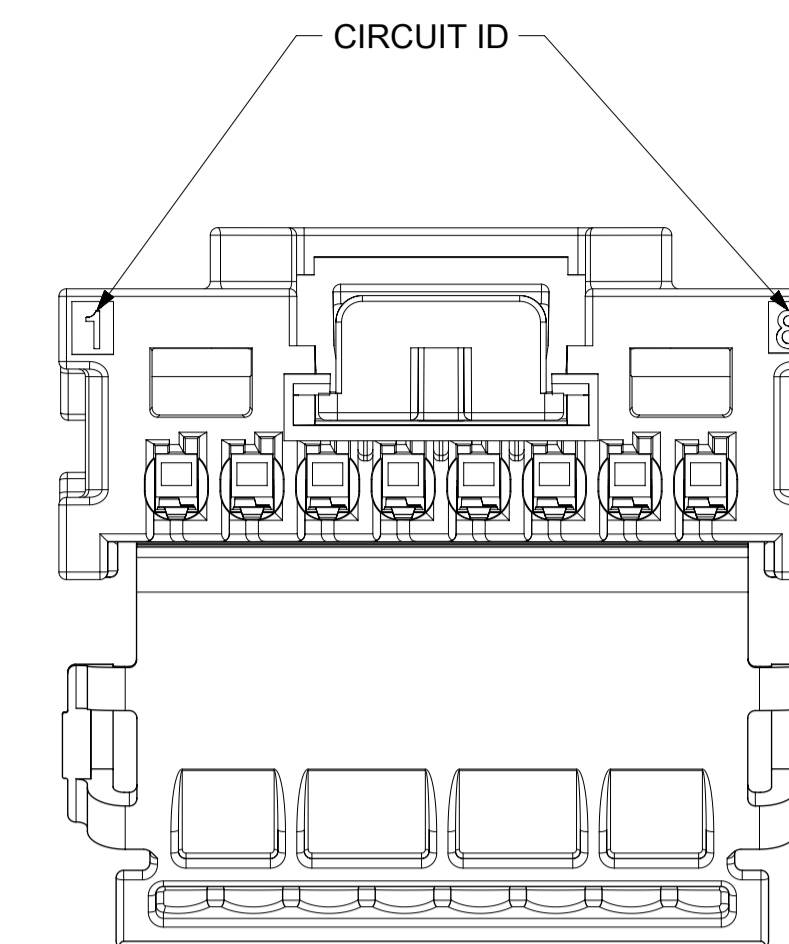
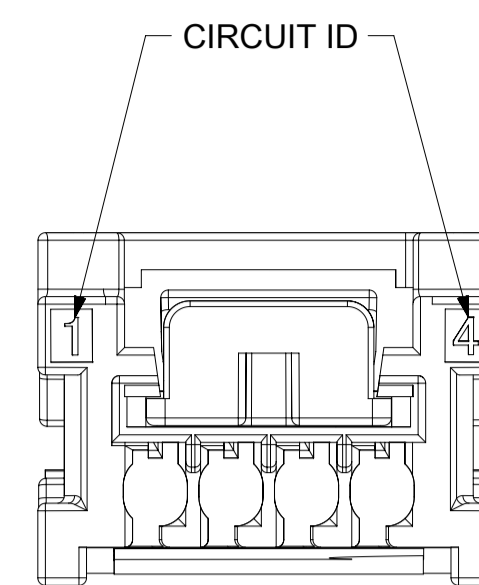
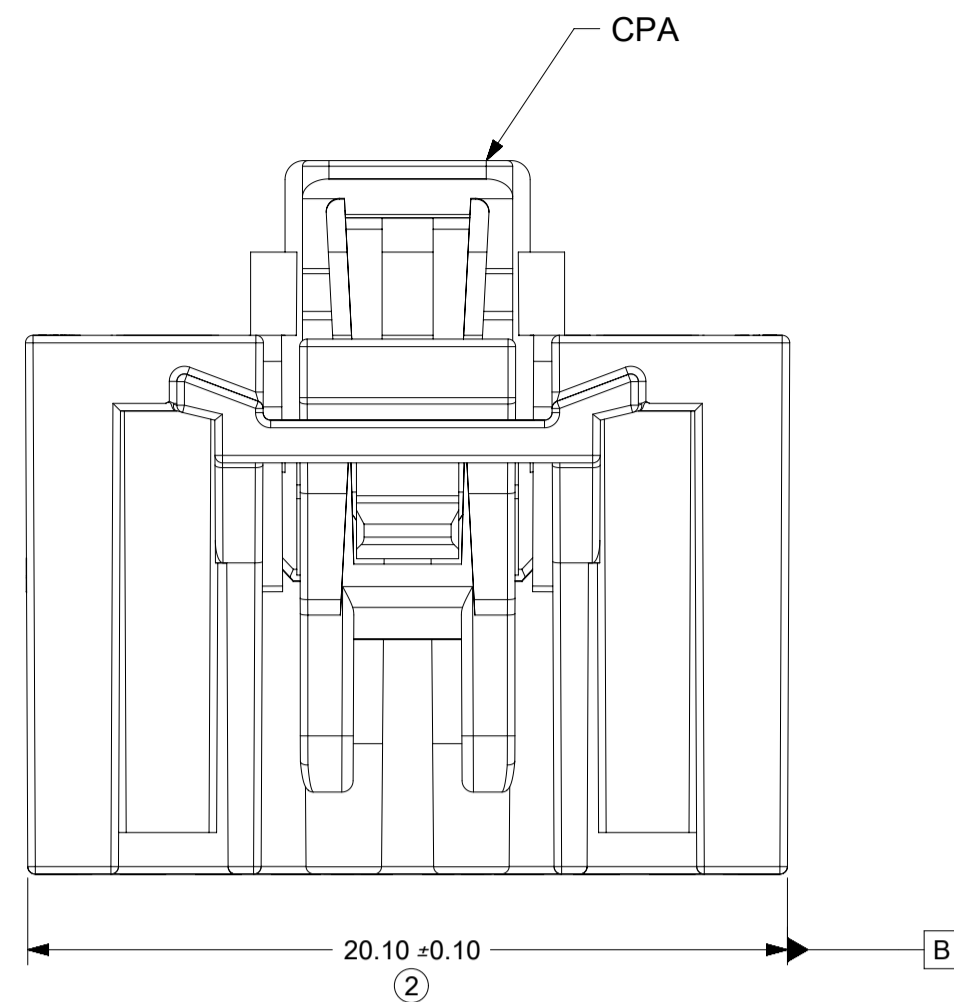
4CKT BRIDGE OPTION WITH CPA IN PRE-LOCK



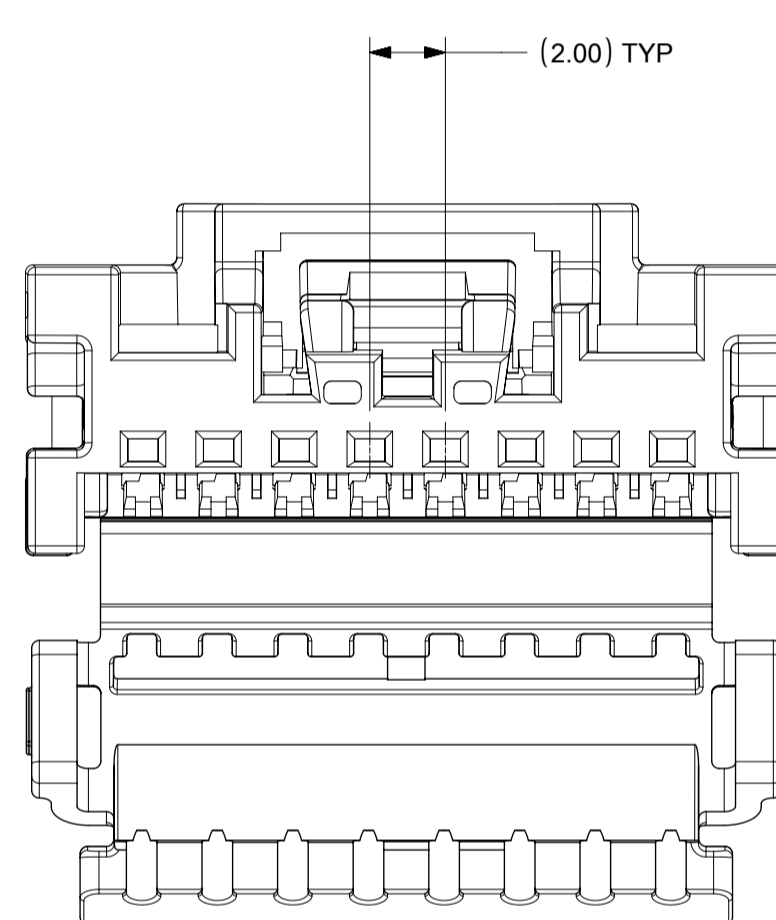
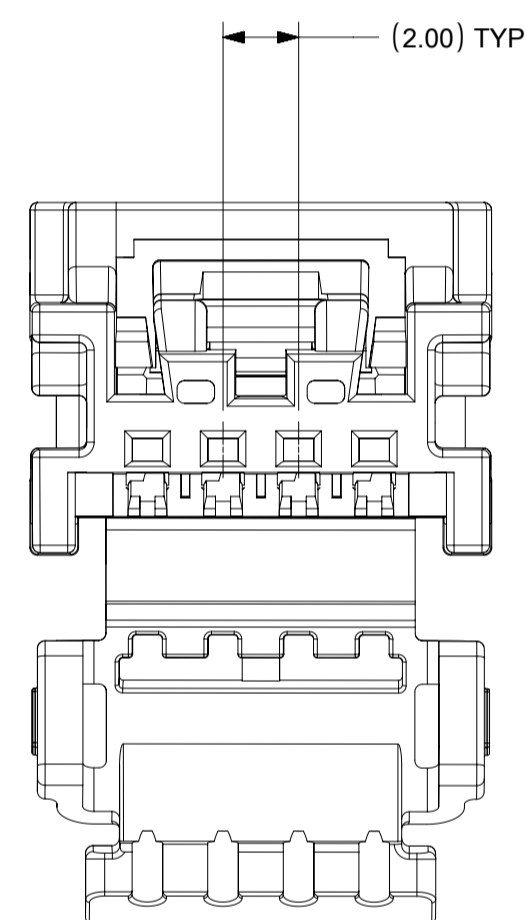
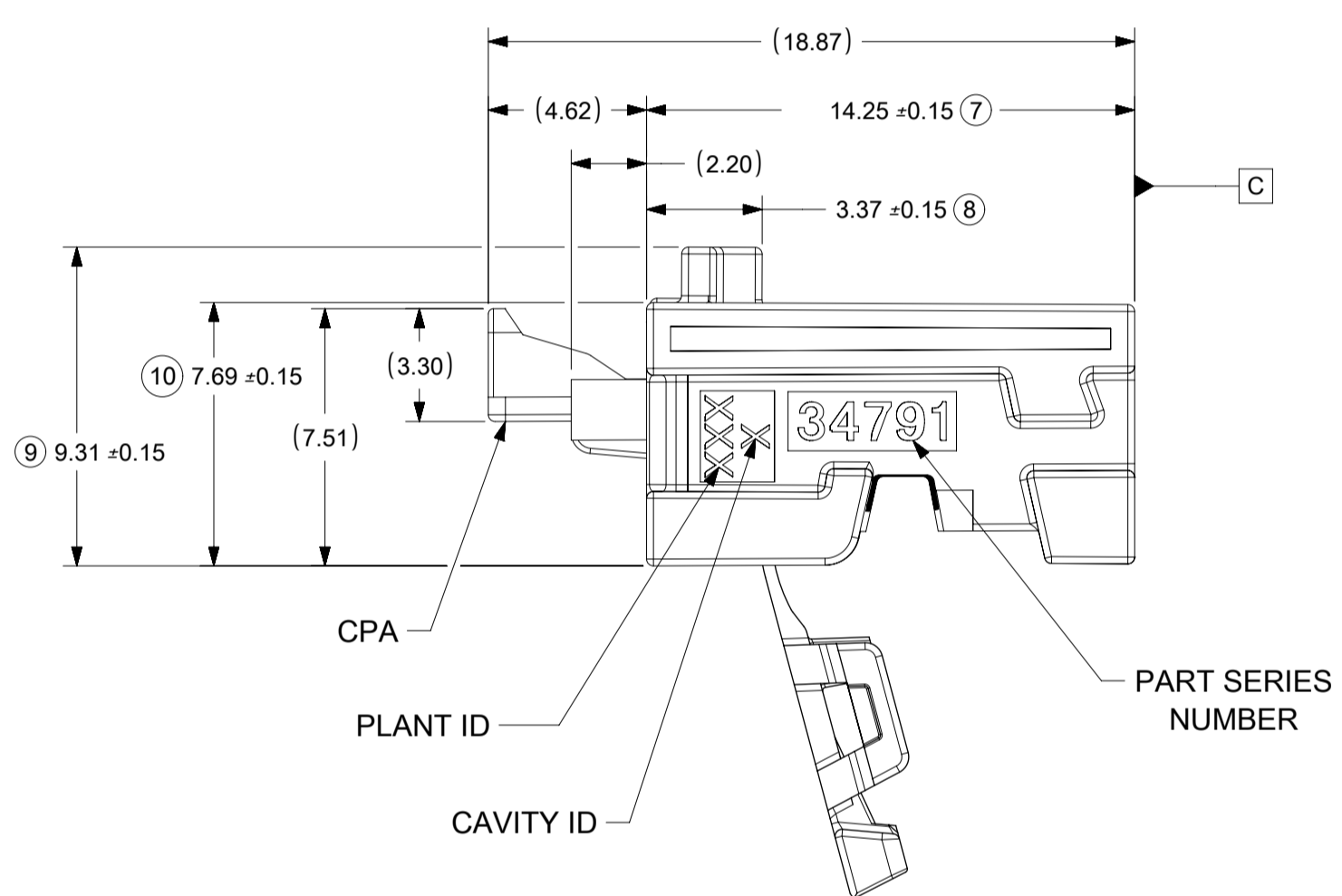
4CKT USCAR COMPATIBLE RECEPTACLE WITH CPA



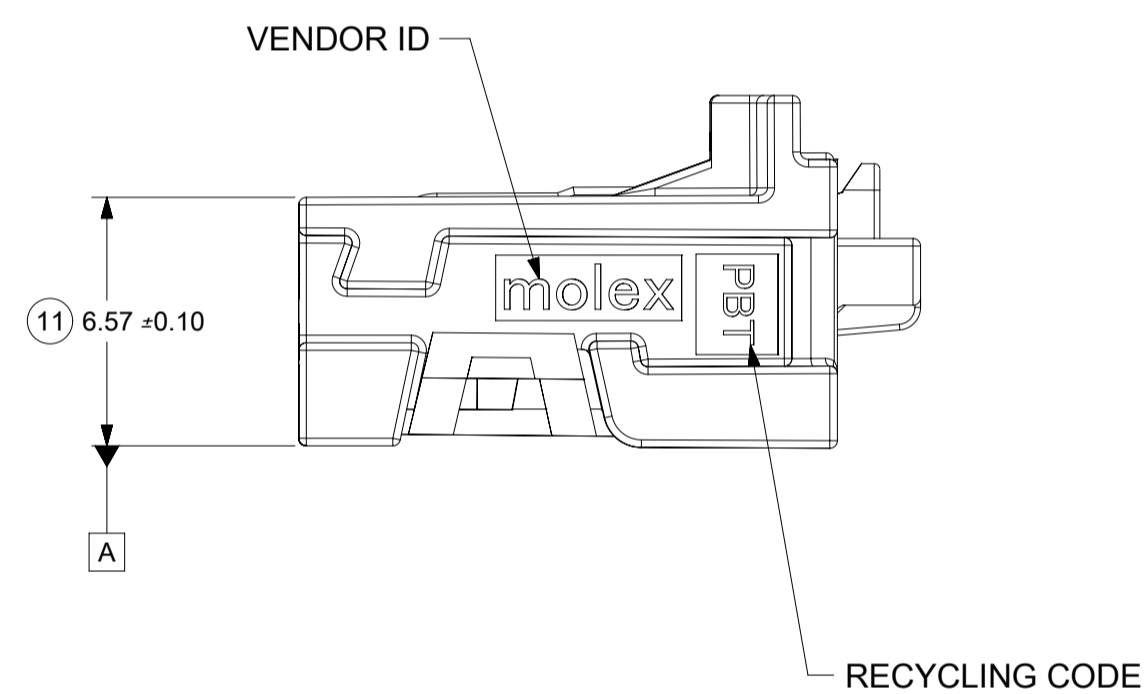
8CKT USCAR COMPATIBLE RECEPTACLE WITH CPA



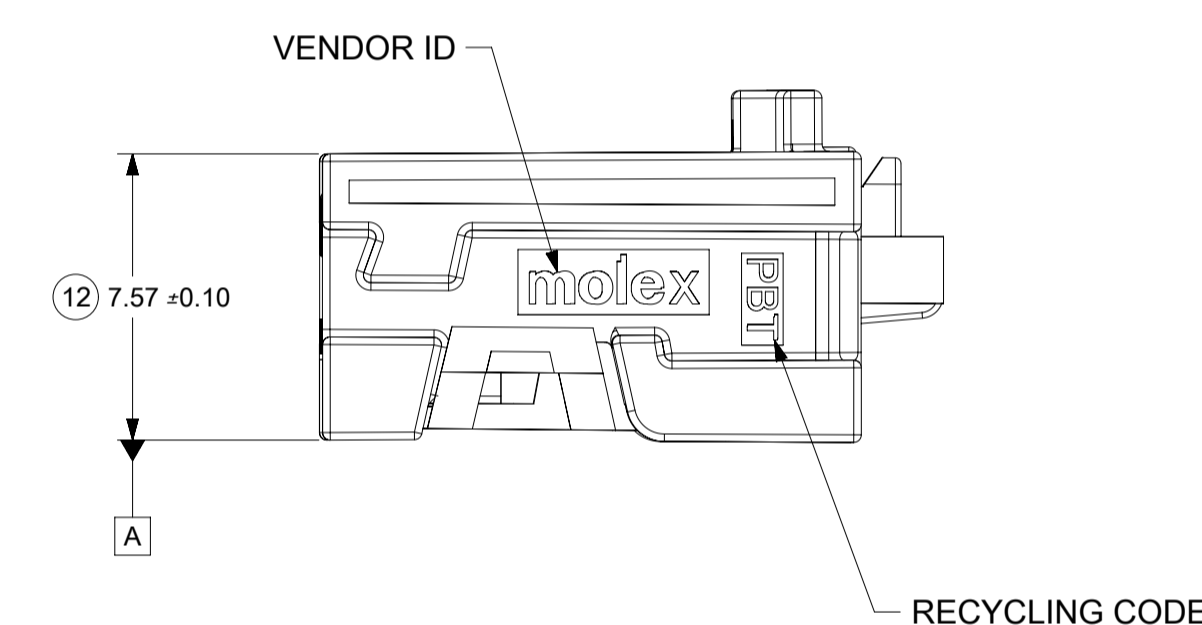
8CKT BRIDGE OPTION WITH CPA IN PRE-LOCK



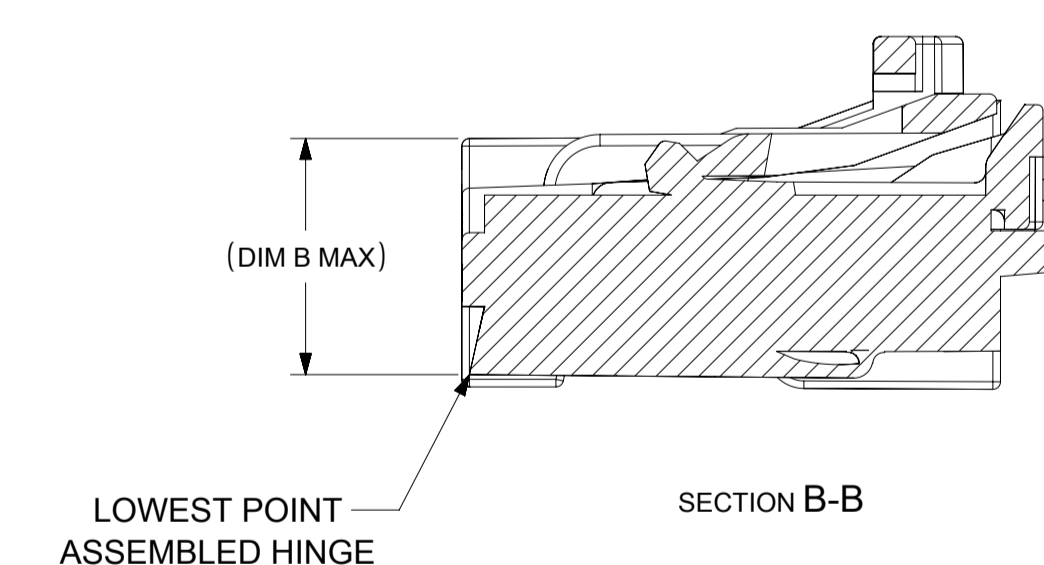
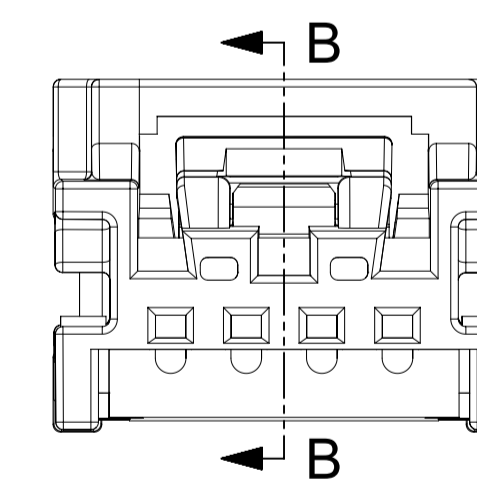
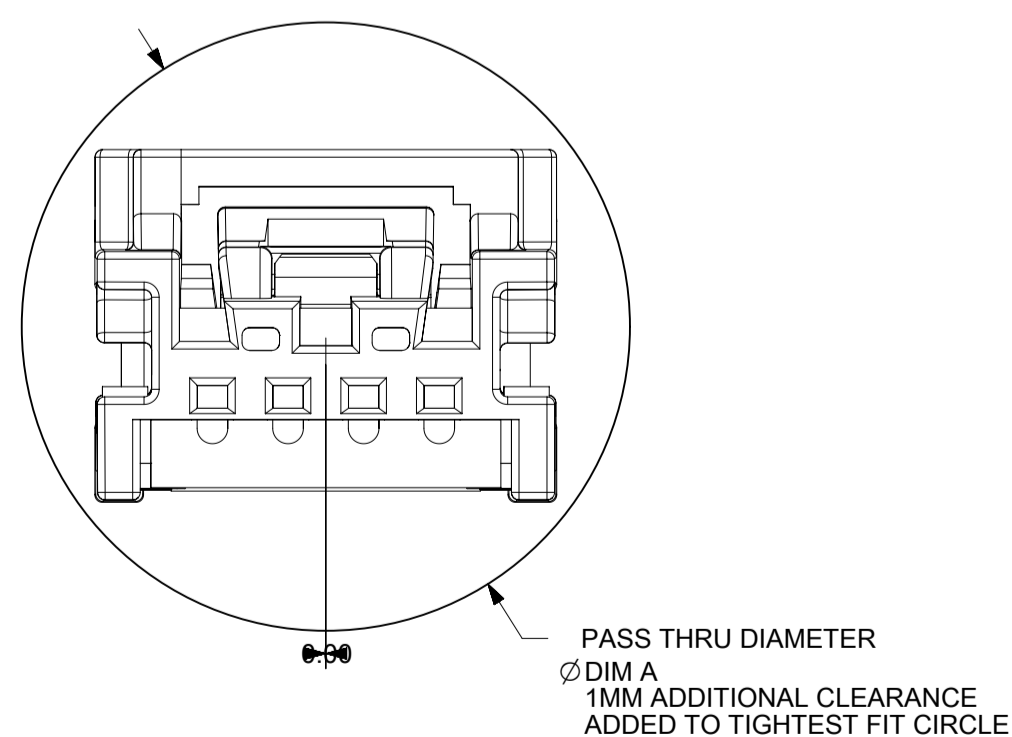
4CKT HINGE CLOSED



8CKT HINGE CLOSED



4CKT HINGE CLOSED



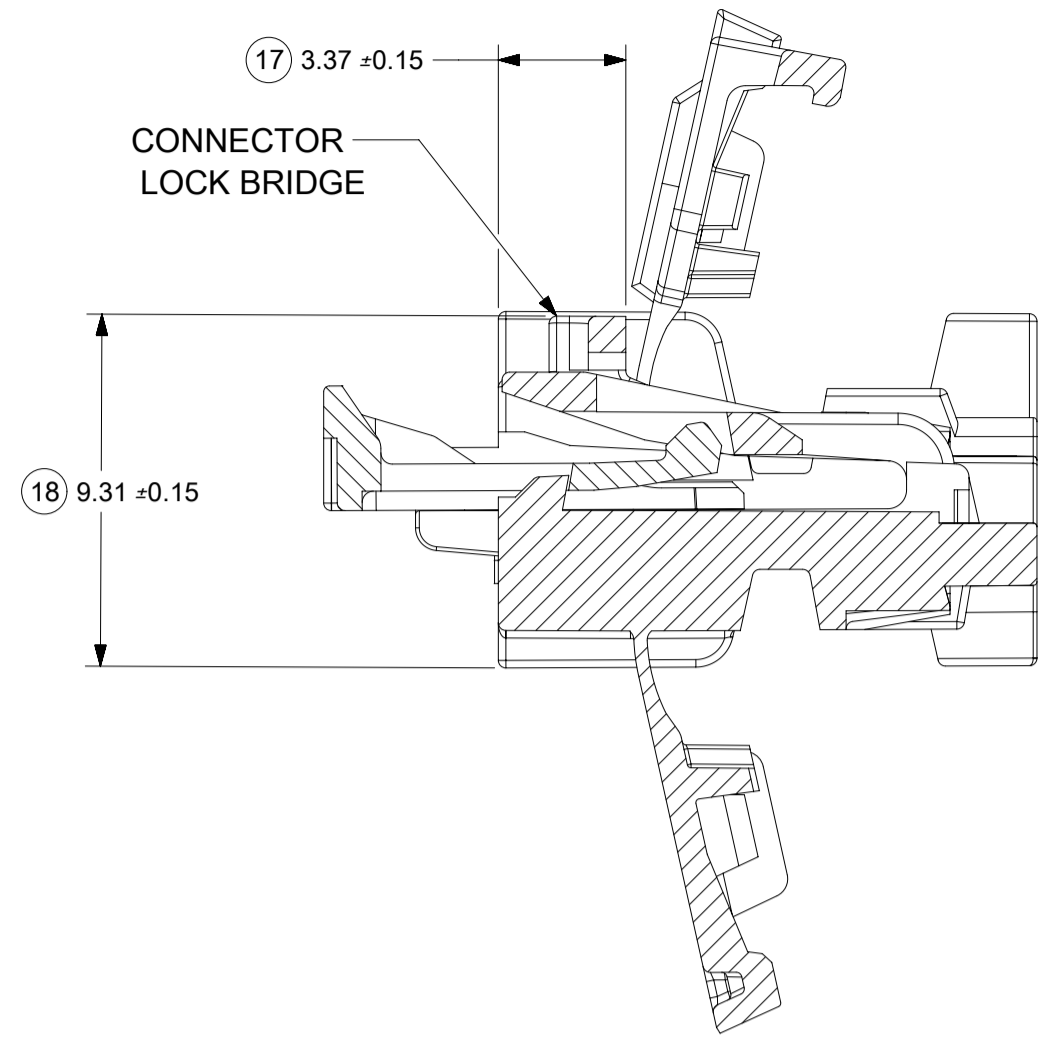
CHARTED DIMENSIONS		
DESCRIPTION	DIMENSION	
	A	B
4 CKT	16.09	6.77
8 CKT	22.52	7.77
12 CKT	23.18	8.47
16 CKT	26.87	8.47
20 CKT	30.65	8.47
24 CKT	34.47	8.47

THIS DRAWING CONTAINS INFORMATION THAT IS PROPRIETARY TO MOLEX ELECTRONIC TECHNOLOGIES, LLC AND SHOULD NOT BE USED WITHOUT WRITTEN PERMISSION

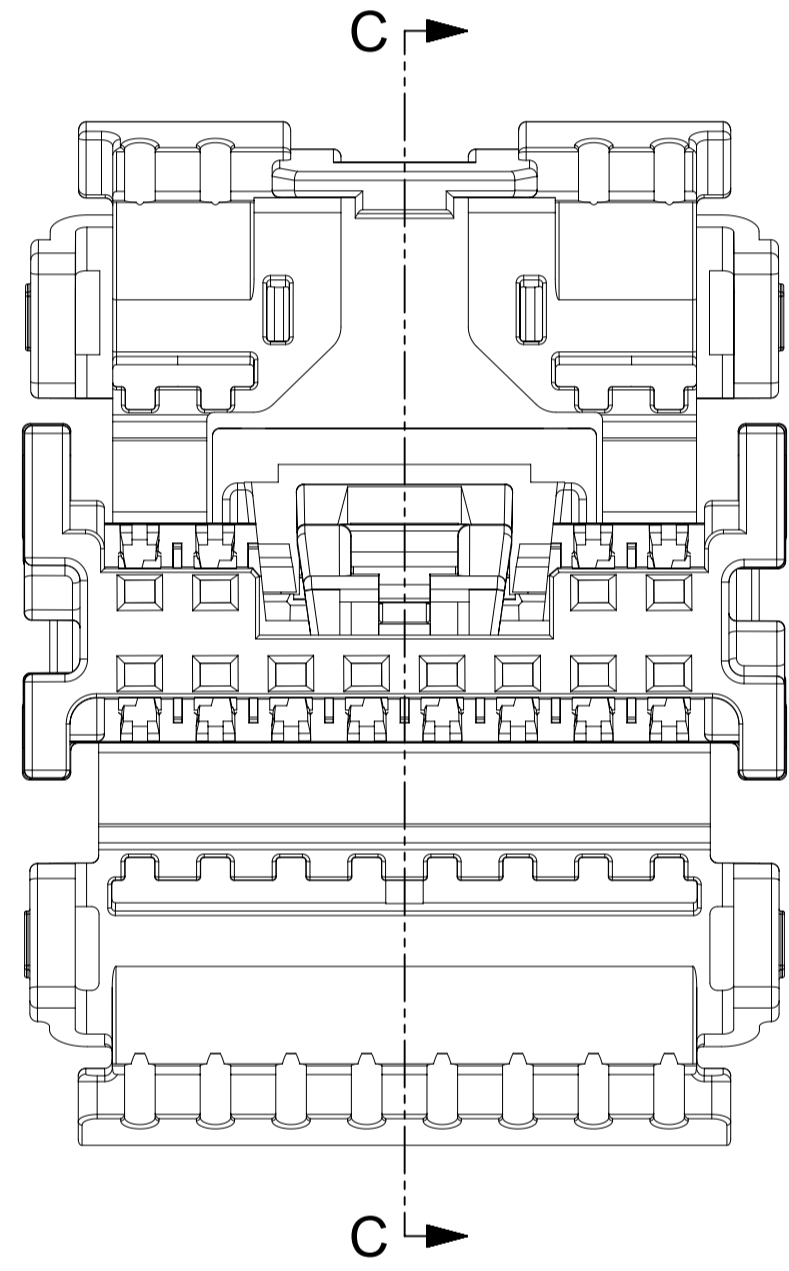
DIMENSION UNITS mm	SCALE 5:1	CURRENT REV DESC:	
GENERAL TOLERANCES (UNLESS SPECIFIED)		EC NO: 635574	
ANGULAR TOL ± 1.0°		4 PLACES ±	2020/03/27
3 PLACES ±		3 PLACES ±	2020/04/09
2 PLACES ± 0.1		2 PLACES ± 0.1	2020/04/10
1 PLACE ± 0.2		1 PLACE ± 0.2	
0 PLACES ±		0 PLACES ±	
DRAFT WHERE APPLICABLE MUST REMAIN WITHIN DIMENSIONS		THIRD ANGLE PROJECTION	DRAWING
			A1-SIZE
		SERIES	34824
		MATERIAL NUMBER	
		CUSTOMER	GENERAL MARKET
		SHEET NUMBER	2 OF 4

molex			
MINI50 RECEPTACLE WITH CPA SALES DRAWING			
PRODUCT CUSTOMER DRAWING			
DOCUMENT NUMBER	DOC TYPE	DOC PART	REVISION
SD-34824-003	PSD	001	M9

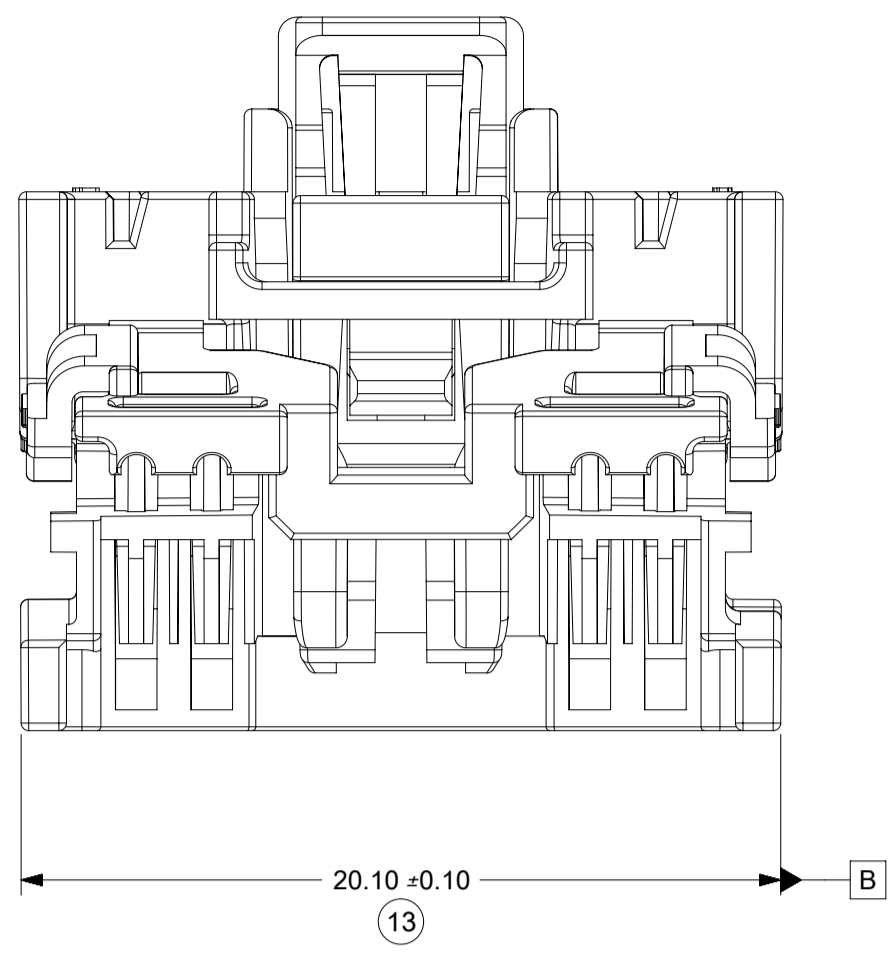
DUAL ROW LOCK BRIDGE OPTION



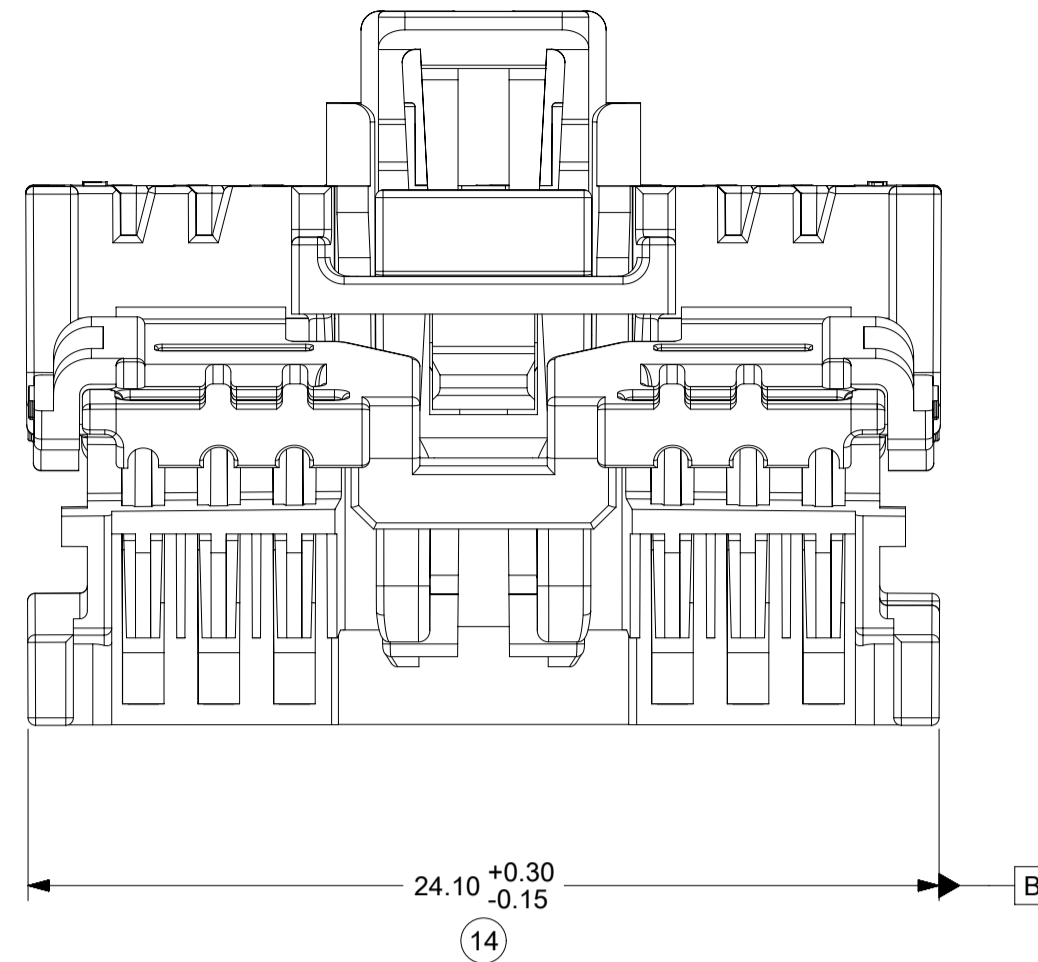
SECTION C-C



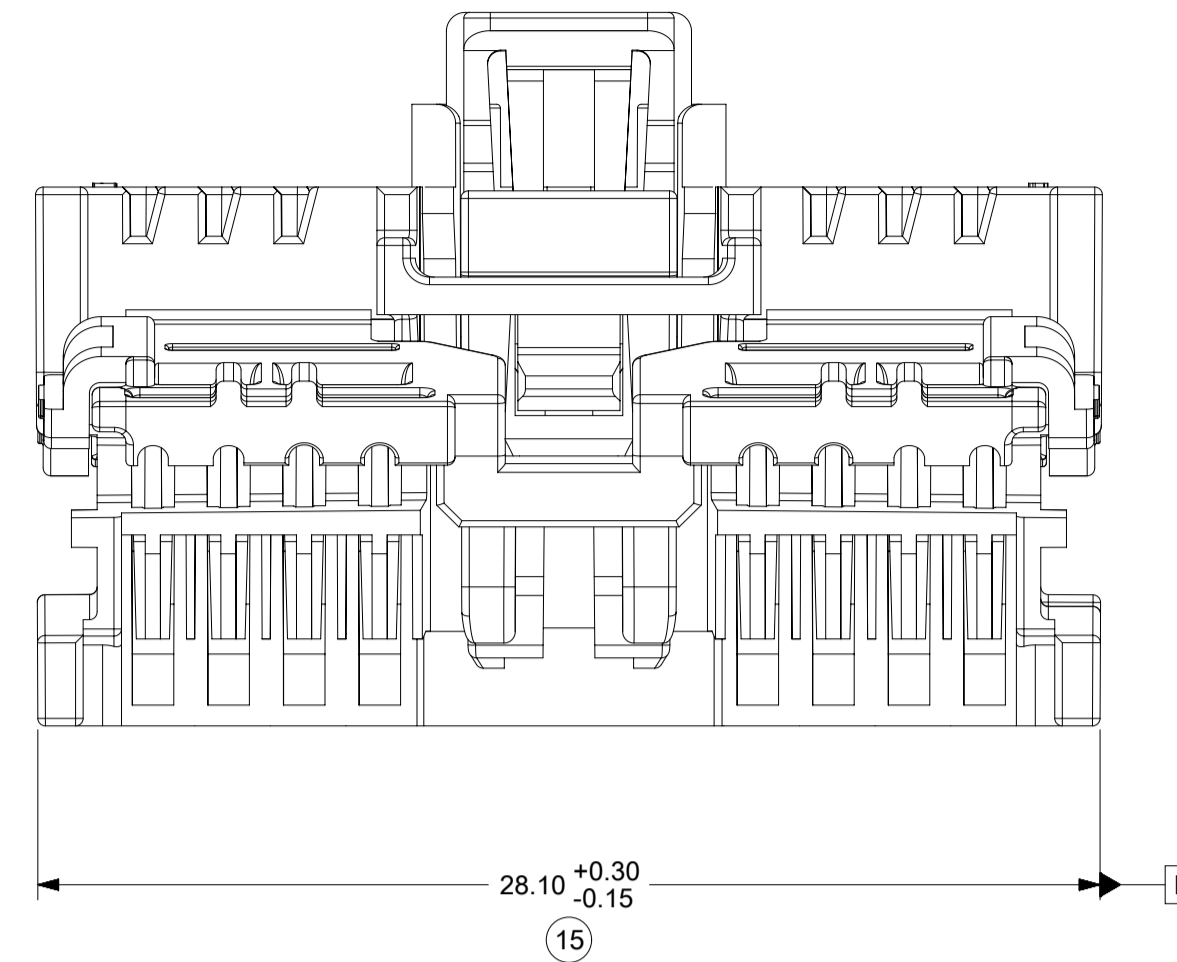
12CKT USCAR COMPATIBLE RECEPTACLE WITH CPA



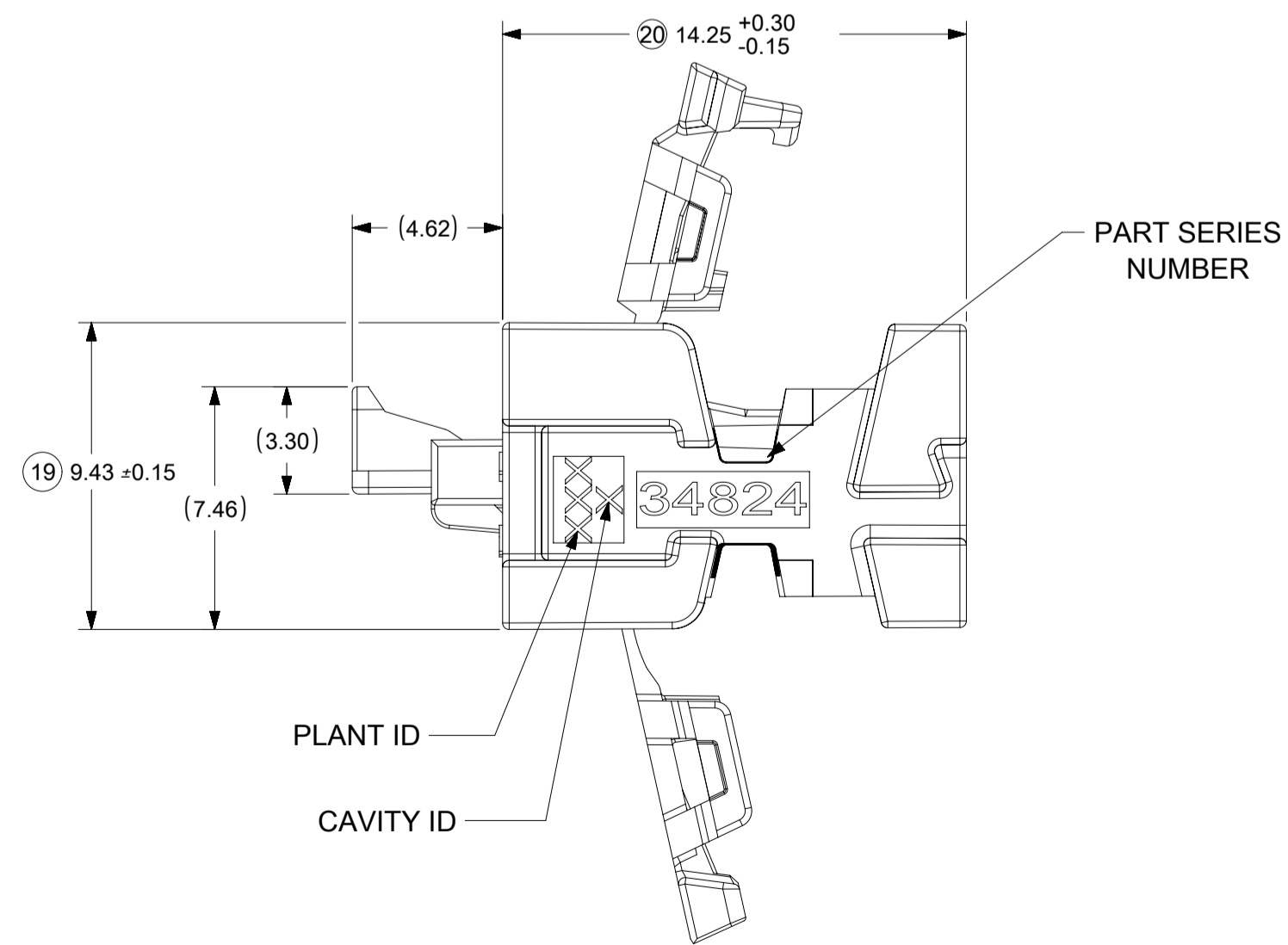
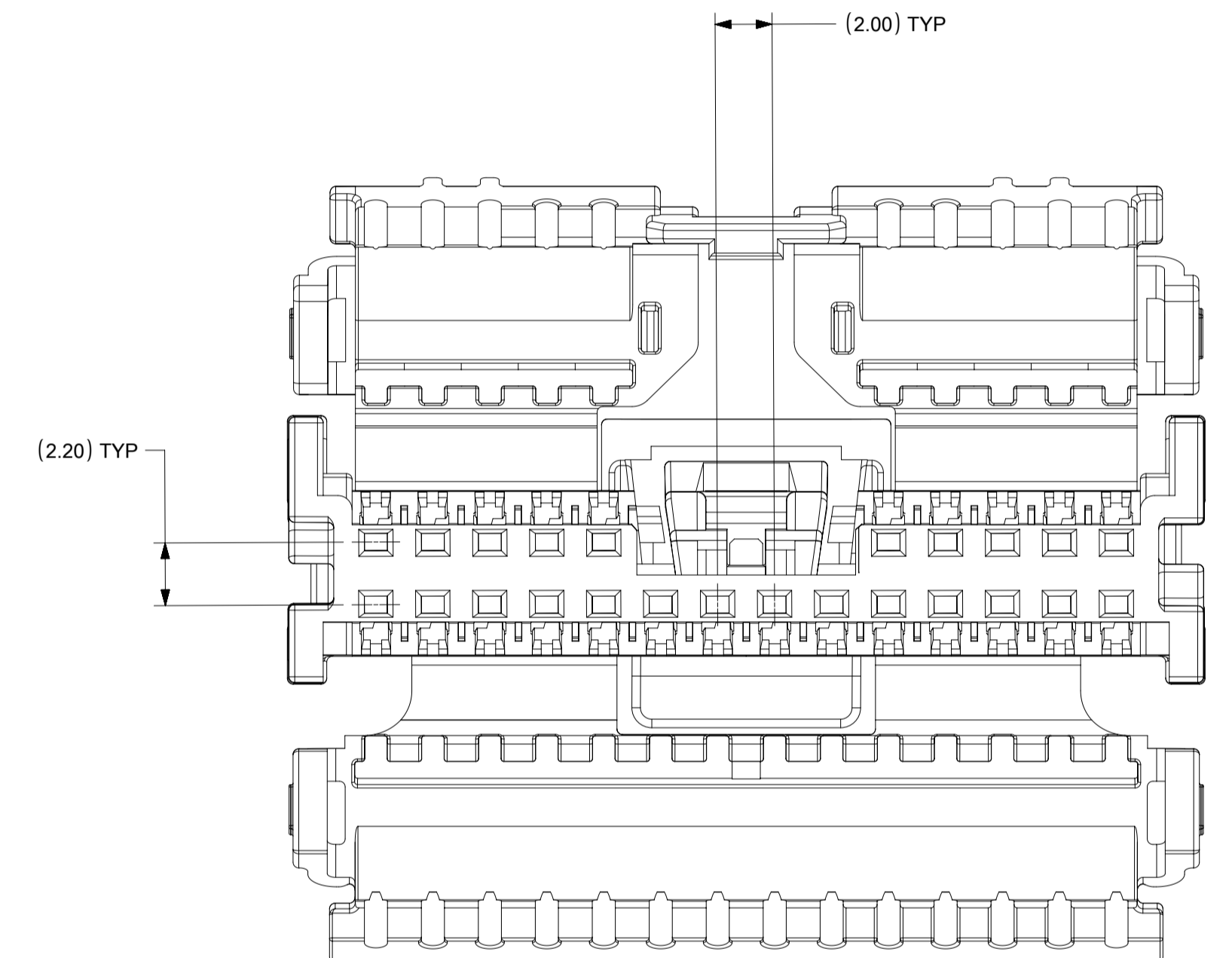
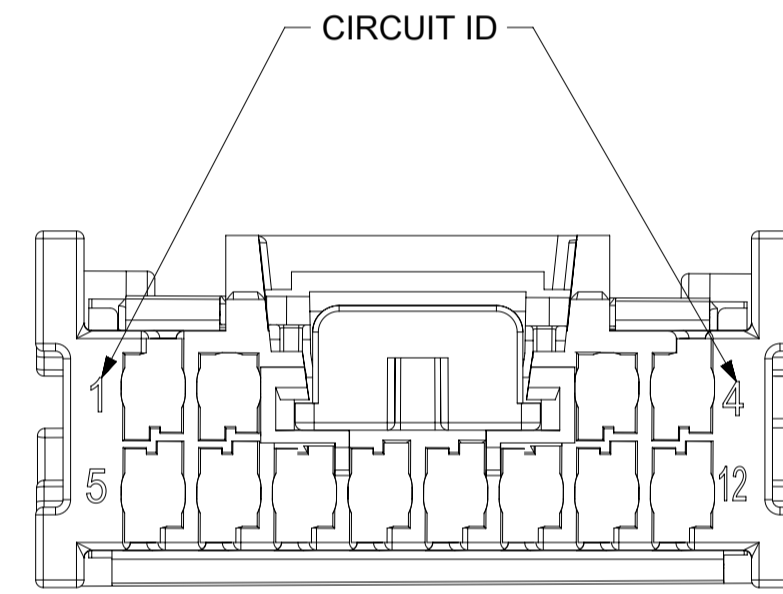
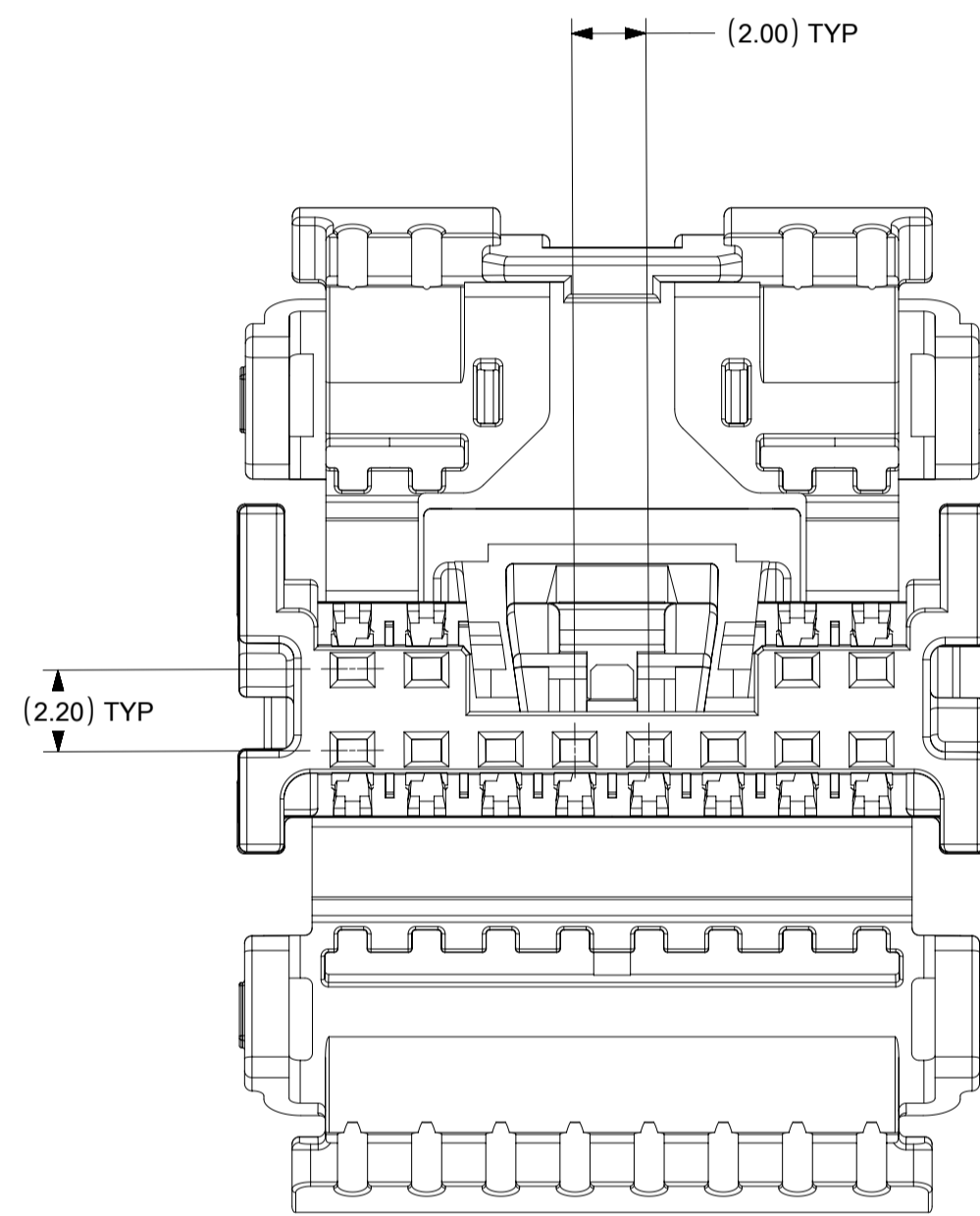
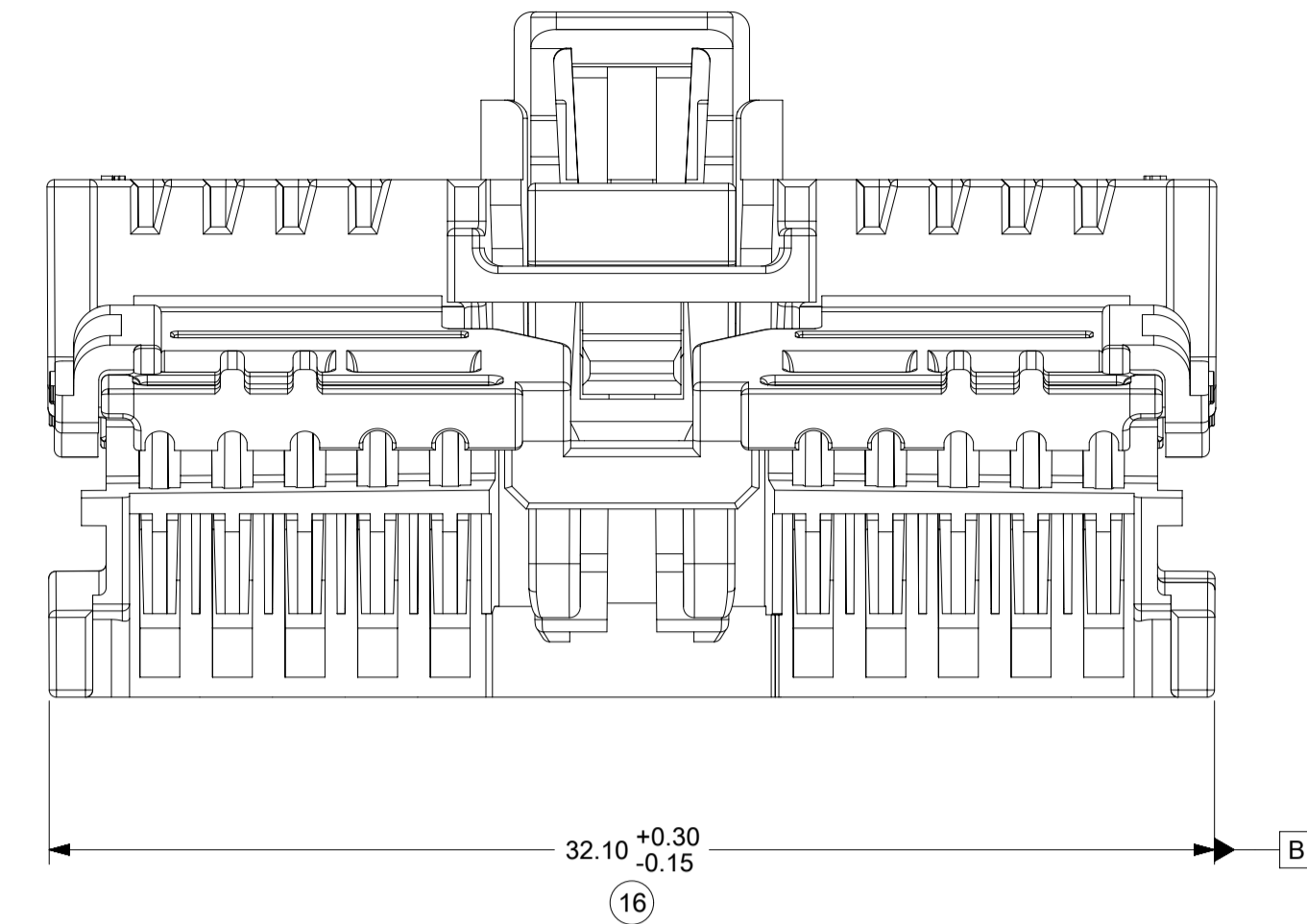
16CKT USCAR COMPATIBLE RECEPTACLE WITH CPA



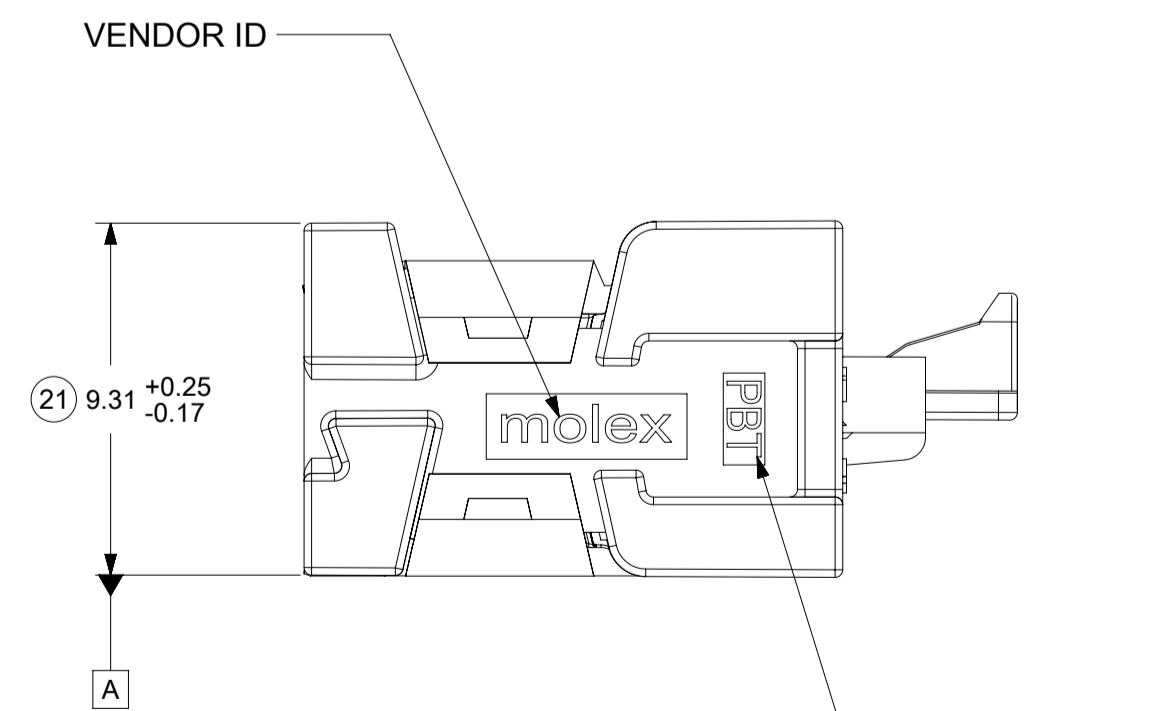
20CKT USCAR COMPATIBLE RECEPTACLE WITH CPA



24CKT USCAR COMPATIBLE RECEPTACLE WITH CPA



HINGES CLOSED



*NOTE: DATUMS A AND C ARE SIMILAR FOR 12-24CKT CONNECTORS

*NOTE: DIM 20 TOLERANCE IS +0.20/-0.15 FOR P/N 34824-2244/5/6

THIS DRAWING CONTAINS INFORMATION THAT IS PROPRIETARY TO MOLEX ELECTRONIC TECHNOLOGIES, LLC AND SHOULD NOT BE USED WITHOUT WRITTEN PERMISSION

DIMENSION UNITS	SCALE	CURRENT REV DESC:	
mm	5:1		
GENERAL TOLERANCES (UNLESS SPECIFIED)			
ANGULAR TOL	± 1.0°		
4 PLACES	±	EC NO: 635574	
3 PLACES	±	DRWN: KHEWITT	2020/03/27
2 PLACES	± 0.1	CHK'D: KHEWITT	2020/04/09
1 PLACE	± 0.2	APPR: JDUNAJ	2020/04/10
0 PLACES	±	INITIAL REVISION:	
DRAFT WHERE APPLICABLE MUST REMAIN WITHIN DIMENSIONS		DRWN: TMACHUGA	2013/10/15
		APPR: RBAUMAN	2013/11/13
THIRD ANGLE PROJECTION	DRAWING	SERIES	MATERIAL NUMBER
	A1-SIZE	34824	
		CUSTOMER	SHEET NUMBER
		GENERAL MARKET	3 OF 4

molex

MINI50 RECEPTACLE WITH CPA SALES DRAWING

PRODUCT CUSTOMER DRAWING

DOCUMENT NUMBER: SD-34824-003
DOC TYPE: PSD
DOC PART: 001
REVISION: M9

DOCUMENT STATUS	P1	RELEASE DATE	2020/04/10	12:40:17
-----------------	----	--------------	------------	----------

SINGLE ROW ASSEMBLY (RECEPTACLE WITH CPA)

MOLEX MATERIAL NUMBER BULK PACKAGING PK-31301-538	GENERAL MOTORS PART NUMBER	CONFIGURATION	MATERIAL TYPE	CIRCUIT	POL	COLOR	MATING COMPONENT							
							SURFACE MOUNT TECHNOLOGY (SMT) HEADER		VERTICAL THRU HOLE HEADER			RIGHT ANGLE THRU HOLE HEADER		
							TAPE AND REEL PACKAGING PK-31301-786	TUBE PACKAGING PK-31301-688	TRAY PACKAGING PK-31301-440	TUBE PACKAGING PK-31301-688	TAPE AND REEL PACKAGING PK-47799-0001	TRAY PACKAGING PK-31301-440	TUBE PACKAGING PK-31301-688	TAPE AND REEL PACKAGING PK-47799-0001
34791-5140	13507113	USCAR	PBT	4	A	BLACK	34912-8040	34912-9040	34792-0040	34792-9040	34792-8040	34793-0040	34793-9040	34793-8040
34791-5141	13507115	USCAR		4	B	LIGHT GRAY	34912-8041	34912-9041	34792-0041	34792-9041	34792-8041	34793-0041	34793-9041	34793-8041
34791-5142	13507116	USCAR		4	C	DARK GRAY	34912-8042	34912-9042	34792-0042	34792-9042	34792-8042	34793-0042	34793-9042	34793-8042
34791-5143	13507117	USCAR		4	D	GREEN	34912-8043	34912-9043	34792-0043	34792-9043	34792-8043	34793-0043	34793-9043	34793-8043
34791-5180	13507118	USCAR		8	A	BLACK	34912-8080	34912-9080	34792-0080	34792-9080	34792-8080	34793-0080	34793-9080	34793-8080
34791-5181	13507119	USCAR		8	B	LIGHT GRAY	34912-8081	34912-9081	34792-0081	34792-9081	34792-8081	34793-0081	34793-9081	34793-8081
34791-5182	13507120	USCAR		8	C	DARK GRAY	34912-8082	34912-9082	34792-0082	34792-9082	34792-8082	34793-0082	34793-9082	34793-8082

DUAL ROW ASSEMBLY (RECEPTACLE WITH CPA)

MOLEX MATERIAL NUMBER BULK PACKAGING PK-31301-538	GENERAL MOTORS PART NUMBER	CONFIGURATION	MATERIAL TYPE	CIRCUIT	POL	COLOR	MATING COMPONENT								
							SURFACE MOUNT TECHNOLOGY (SMT) HEADER		VERTICAL THRU HOLE HEADER			RIGHT ANGLE THRU HOLE HEADER			
							TAPE AND REEL PACKAGING PK-31301-786	TUBE PACKAGING PK-31301-688	TRAY PACKAGING PK-31301-440	TUBE PACKAGING PK-31301-688	TAPE AND REEL PACKAGING PK-47799-0001	TRAY PACKAGING PK-31301-440	TUBE PACKAGING PK-31301-688	TAPE AND REEL PACKAGING PK-47799-0001	
34824-2164	N/A	USCAR	ECOPAXX	16	A	BLACK	34897-8160	34897-9160	34825-0160	34825-9160	34825-8160	34826-0160	34826-9160	34826-8160	
34824-2165	N/A	USCAR		16	B	LIGHT GRAY	34897-8161	34897-9161	34825-0161	34825-9161	34825-8161	34826-0161	34826-9161	34826-8161	
34824-2166	N/A	USCAR		16	C	DARK GRAY	34897-8162	34897-9162	34825-0162	34825-9162	34825-8162	34826-0162	34826-9162	34826-8162	
34824-2204	13596105	USCAR		20	A	BLACK	34897-8200	34897-9200	34825-0200	34825-9200	34825-8200	34826-0200	34826-9200	34826-8200	
34824-2205	13596106	USCAR		20	B	LIGHT GRAY	34897-8201	34897-9201	34825-0201	34825-9201	34825-8201	34826-0201	34826-9201	34826-8201	
34824-2206	13596107	USCAR		20	C	DARK GRAY	34897-8202	34897-9202	34825-0202	34825-9202	34825-8202	34826-0202	34826-9202	34826-8202	
34824-2244	N/A	USCAR		24	A	BLACK	34897-8240	34897-9240	34825-0240	34825-9240	34825-8240	34826-0240	34826-9240	34826-8240	
34824-2245	N/A	USCAR		24	B	LIGHT GRAY	34897-8241	34897-9241	34825-0241	34825-9241	34825-8241	34826-0241	34826-9241	34826-8241	
34824-2246	N/A	USCAR		24	C	DARK GRAY	34897-8242	34897-9242	34825-0242	34825-9242	34825-8242	34826-0242	34826-9242	34826-8242	
34824-5124	13507121	USCAR		12	A	BLACK	34897-8120	34897-9120	34825-0124	34825-9124	34825-8124	34826-0124	34826-9124	34826-8124	
34824-5125	13507122	USCAR		12	B	LIGHT GRAY	34897-8121	34897-9121	34825-0125	34825-9125	34825-8125	34826-0125	34826-9125	34826-8125	
34824-5126	13507114	USCAR		12	C	DARK GRAY	34897-8122	34897-9122	34825-0126	34825-9126	34825-8126	34826-0126	34826-9126	34826-8126	
34824-2160	N/A	USCAR		PBT	16	A	BLACK	34897-8160	34897-9160	34825-0160	34825-9160	34825-8160	34826-0160	34826-9160	34826-8160
34824-2161	N/A	USCAR			16	B	LIGHT GRAY	34897-8161	34897-9161	34825-0161	34825-9161	34825-8161	34826-0161	34826-9161	34826-8161
34824-2162	N/A	USCAR			16	C	DARK GRAY	34897-8162	34897-9162	34825-0162	34825-9162	34825-8162	34826-0162	34826-9162	34826-8162
34824-2200	13596105	USCAR			20	A	BLACK	34897-8200	34897-9200	34825-0200	34825-9200	34825-8200	34826-0200	34826-9200	34826-8200
34824-2201	13596106	USCAR			20	B	LIGHT GRAY	34897-8201	34897-9201	34825-0201	34825-9201	34825-8201	34826-0201	34826-9201	34826-8201
34824-2202	13596107	USCAR			20	C	DARK GRAY	34897-8202	34897-9202	34825-0202	34825-9202	34825-8202	34826-0202	34826-9202	34826-8202
34824-2240	N/A	USCAR			24	A	BLACK	34897-8240	34897-9240	34825-0240	34825-9240	34825-8240	34826-0240	34826-9240	34826-8240
34824-2241	N/A	USCAR			24	B	LIGHT GRAY	34897-8241	34897-9241	34825-0241	34825-9241	34825-8241	34826-0241	34826-9241	34826-8241
34824-2242	N/A	USCAR			24	C	DARK GRAY	34897-8242	34897-9242	34825-0242	34825-9242	34825-8242	34826-0242	34826-9242	34826-8242

*NOTE: CONFIGURATION CONSISTS OF AN EXPANSION OF THE 12CKT USCAR-COMPATIBLE CONFIGURATION TO ALLOW FOR 16, 20, AND 24 CIRCUITS

MINI50 CPA (APPLIED TO SINGLE AND DUAL ROW BRIDGED RECEPTACLE CONNECTORS)

MATERIAL NUMBER	COLOR	MATING COMPONENT
34824-7000	NATURAL	SEE CHARTS ABOVE

CTX50 UNSEALED RECEPTACLE TERMINALS

PART NUMBER		MATERIAL	WIRE GAGE (mm ²)	GRIP
D-WIND (LEFT PAYOFF)	B-WIND (RIGHT PAYOFF)			
560023-0448	560023-0450	COPPER ALLOY	0.35	LARGE
560023-0421	560023-0423	COPPER ALLOY	0.22	MEDIUM
560023-0422	560023-0424	COPPER ALLOY	0.13	SMALL

THIS DRAWING CONTAINS INFORMATION THAT IS PROPRIETARY TO MOLEX ELECTRONIC TECHNOLOGIES, LLC AND SHOULD NOT BE USED WITHOUT WRITTEN PERMISSION											
DIMENSION UNITS	SCALE	CURRENT REV DESC:			molex						
mm	1:1										
GENERAL TOLERANCES (UNLESS SPECIFIED)		EC NO: 635574 DRWN: KHEWITT CHK'D: KHEWITT APPR: JDUNAJ 2020/03/27 2020/04/09 2020/04/10			MINI50 RECEPTACLE WITH CPA SALES DRAWING						
ANGULAR TOL ± 1.0°											
4 PLACES ±											
3 PLACES ±											
2 PLACES ± 0.1											
1 PLACE ± 0.2		INITIAL REVISION: DRWN: TMACHUGA APPR: RBAUMAN 2013/10/15 2013/11/13			PRODUCT CUSTOMER DRAWING						
0 PLACES ±					DOCUMENT NUMBER		DOC TYPE		DOC PART	REVISION	
DRAFT WHERE APPLICABLE MUST REMAIN WITHIN DIMENSIONS					THIRD ANGLE PROJECTION	DRAWING	SERIES	MATERIAL NUMBER		CUSTOMER	
			A1-SIZE	34824	SD-34824-003		PSD	001	M9		
DOCUMENT STATUS		P1	RELEASE DATE		2020/04/10 12:40:17		GENERAL MARKET		4 OF 4		