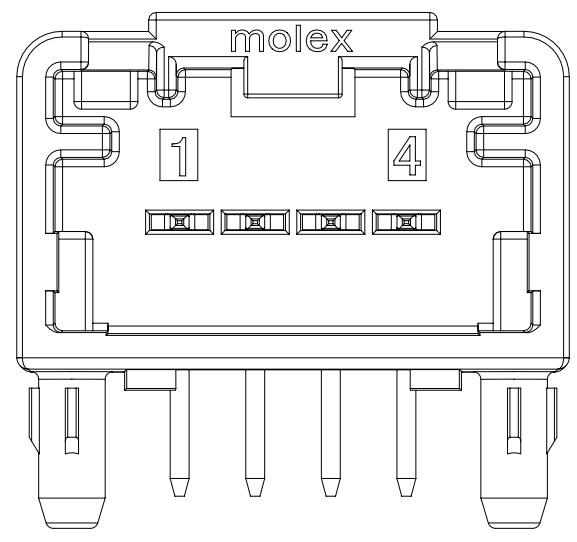
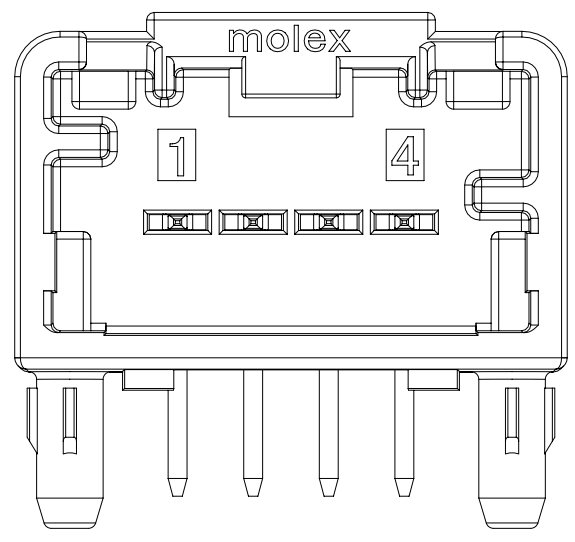


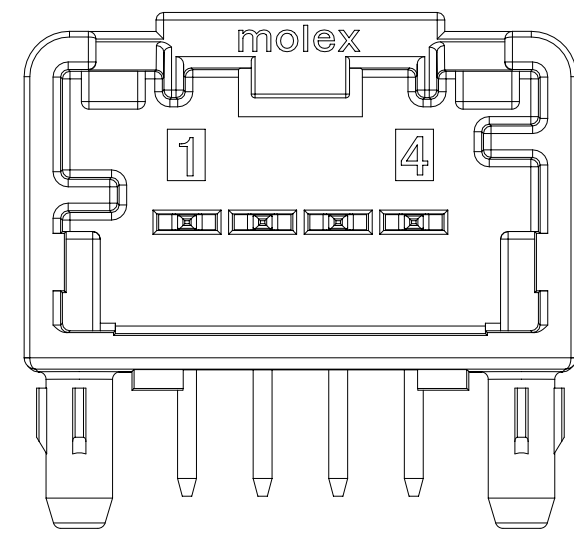
4 CIRCUIT RIGHT ANGLE HEADER
POLARIZATION OPTION A



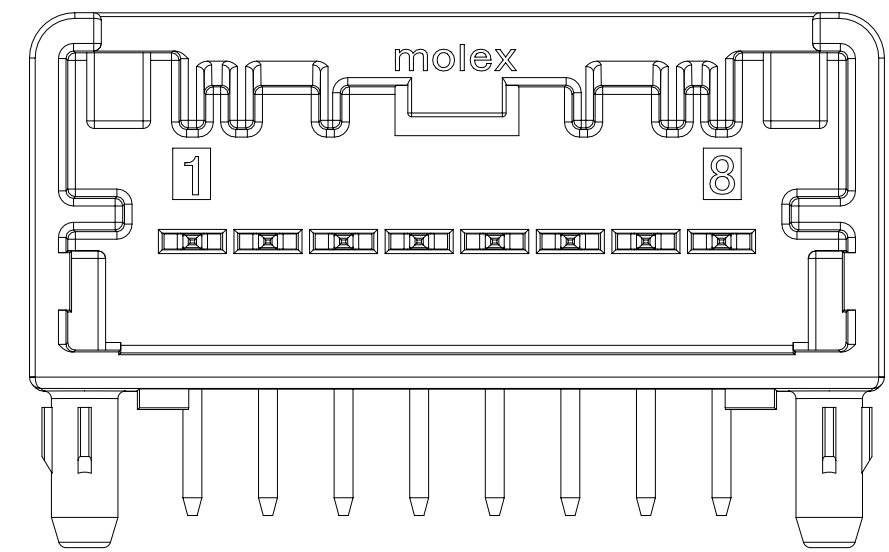
4 CIRCUIT RIGHT ANGLE HEADER
POLARIZATION OPTION B



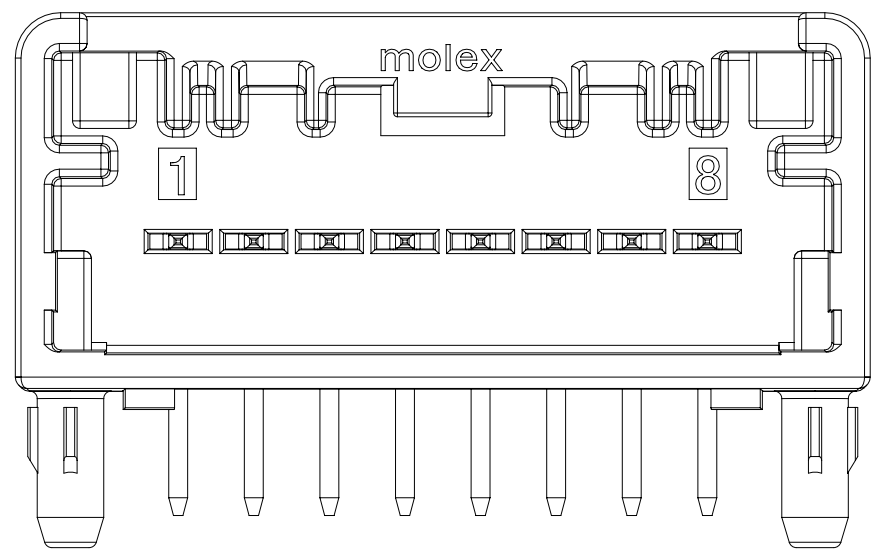
4 CIRCUIT RIGHT ANGLE HEADER
POLARIZATION OPTION C



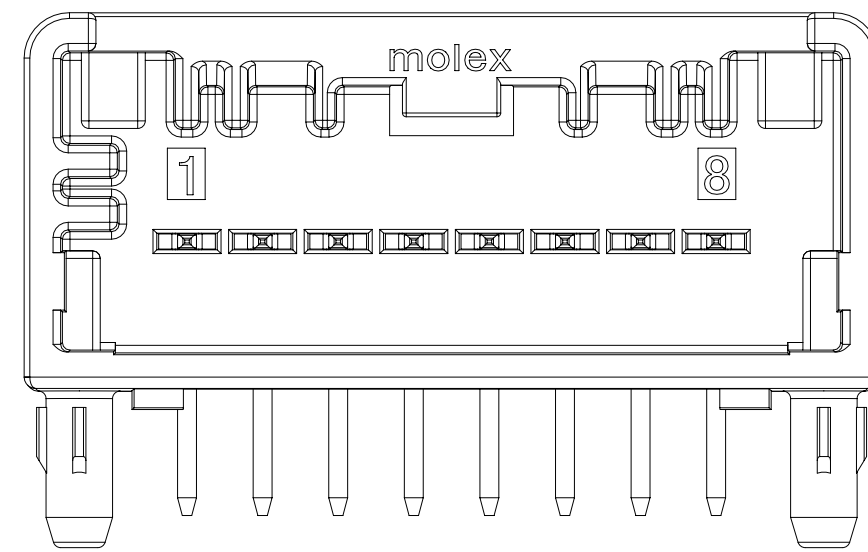
4 CIRCUIT RIGHT ANGLE HEADER
POLARIZATION OPTION D



8 CIRCUIT RIGHT ANGLE HEADER
POLARIZATION OPTION A

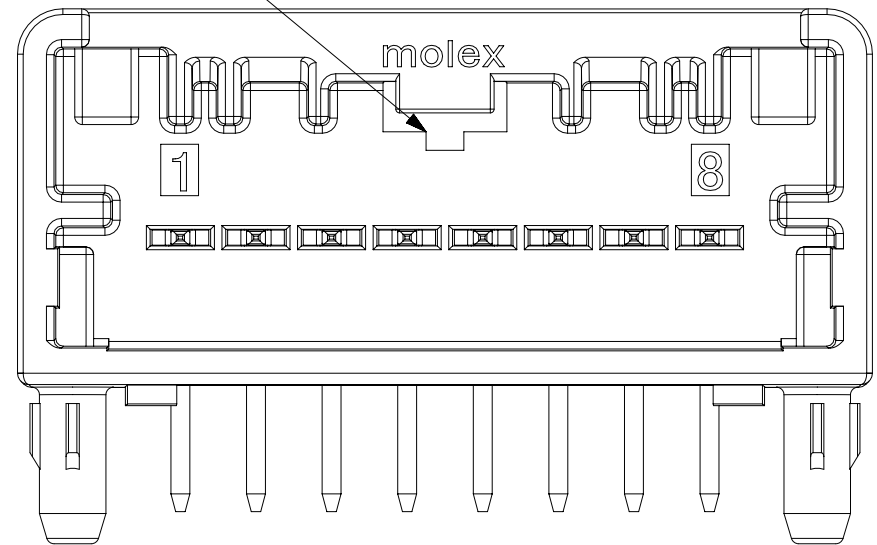


8 CIRCUIT RIGHT ANGLE HEADER
POLARIZATION OPTION B



8 CIRCUIT RIGHT ANGLE HEADER
POLARIZATION OPTION C

V0 IDENTIFIER



NOTES: VALID UNLESS OTHERWISE SPECIFIED

1. GENERAL:
 - a. APPLICATION SPECIFICATION SEE: AS-34791-020
 - b. PRODUCT SPECIFICATION SEE: PS-34791-020
 - c. PACKAGING SPECIFICATION PER MOLEX DRAWING: SEE CHART
 - d. SOLDERABILITY PER SMES-152
 - e. PARTS MUST BE IN COMPLIANCE TO MOLEX CHEMICAL SUBSTANCES FOR PRODUCTS AND PACKAGING SPECIFICATION: QEHS-699000-300
 - f. DATA MUST BE SUBMITTED UNDER THE MOLEX PART NUMBER TO IMDS (COMPANY ID#13255)
 - g. FLAMMABILITY REQUIREMENT: PER ISO3795 OR GM3191
 - h. VISUAL DEFECTS SHALL MEET COSMETIC STANDARD PS-45499-002 (Class B)
2. DESIGN - MATERIALS:
 - a. SHROUD (PLASTIC HOUSING): SPS 30% GF, 20% REGRIND MAX PER WEIGHT
 - b. BLADES:
 - BASE METAL: C260 BRASS
 - PLATING REQUIREMENTS:
 - TIN OVER NICKEL:
 - UNDERPLATING:
 - OVERALL NICKEL
 - OVERPLATING:
 - OVERALL TIN
3. DESIGN - GEOMETRY:
 - a. THIS IS A 100% CAD GENERATED PART. THE CAD MATHEMATICAL DATA IS THE MASTER FOR THIS PART. FOR DIMENSIONAL OR ANY INFORMATION NOT SHOWN ON THIS DRAWING, ANALYZE THE CAD MODEL.
 - b. GEOMETRIC DIMENSIONS AND TOLERANCES PER ASME Y14.5M - 2009
 - c. GENERAL TOLERANCES:
 - LINEAR: SEE TITLE BLOCK
 - ANGULAR: ±3°
 - d. EDGES AND UNDIMENSIONED DETAILS PER ISO13715
 - e. CORNERS SHOWN AS SHARP TO BE R 0.1 MAX
 - f. LETTERING SHALL BE 0.10 MAX RAISED. THIS INCLUDES RECYCLING CODE, PLANT AND CAVITY ID, VENDOR ID, AND CIRCUIT ID.
 - g. USCAR INTERFACE:
 - 4 WAY: 050-U-004-1-ZXX
 - 8 WAY: 050-U-008-1-ZXX

MINI50 RIGHT ANGLE HEADER ASSEMBLIES

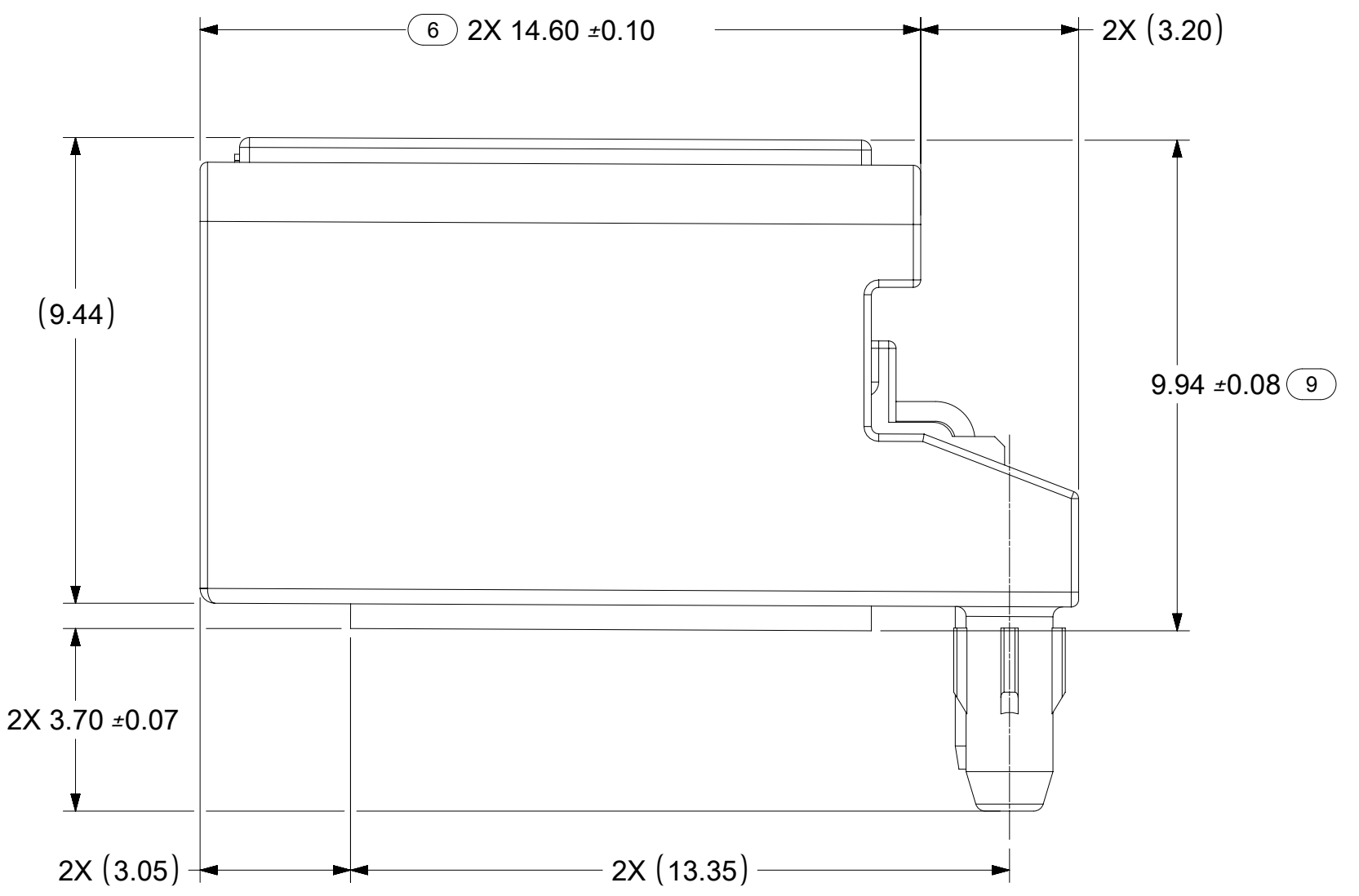
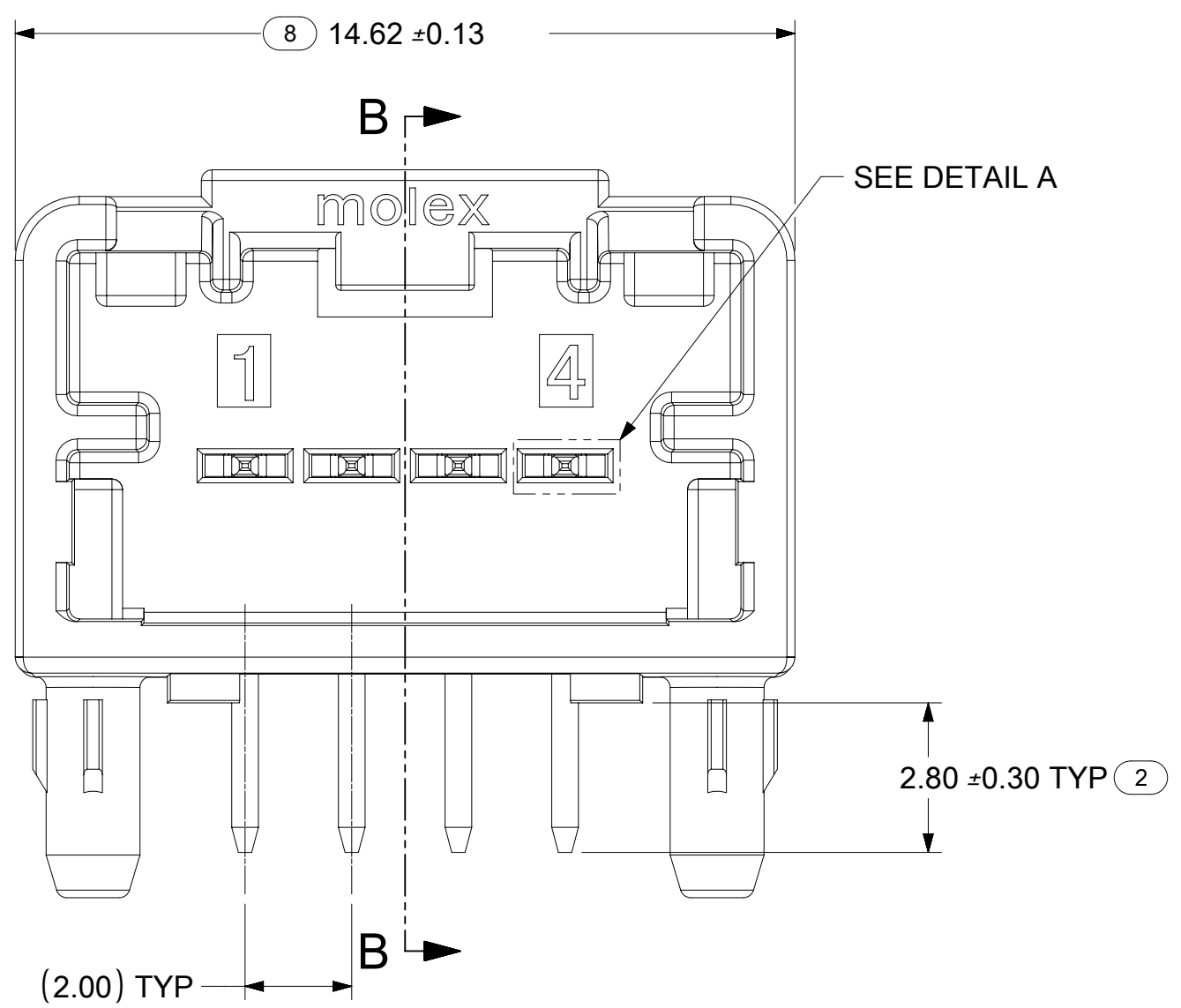
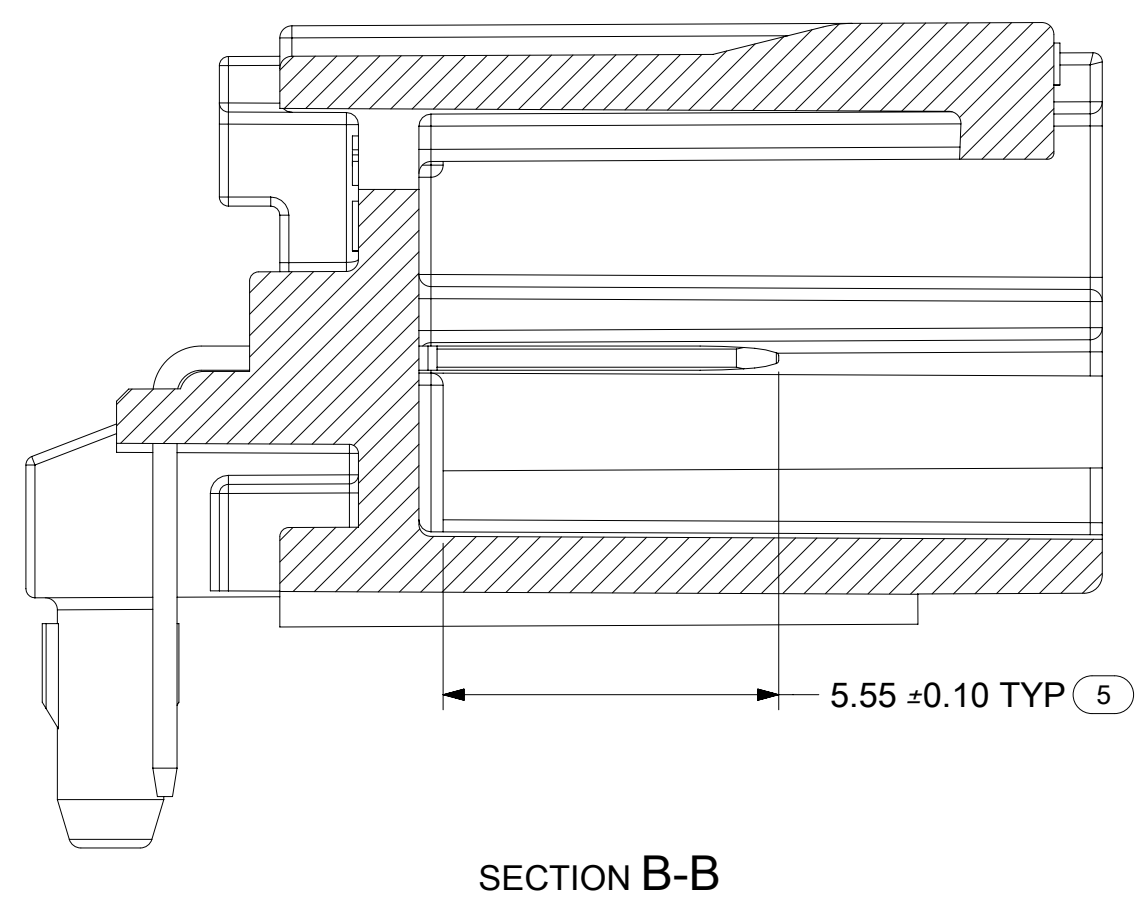
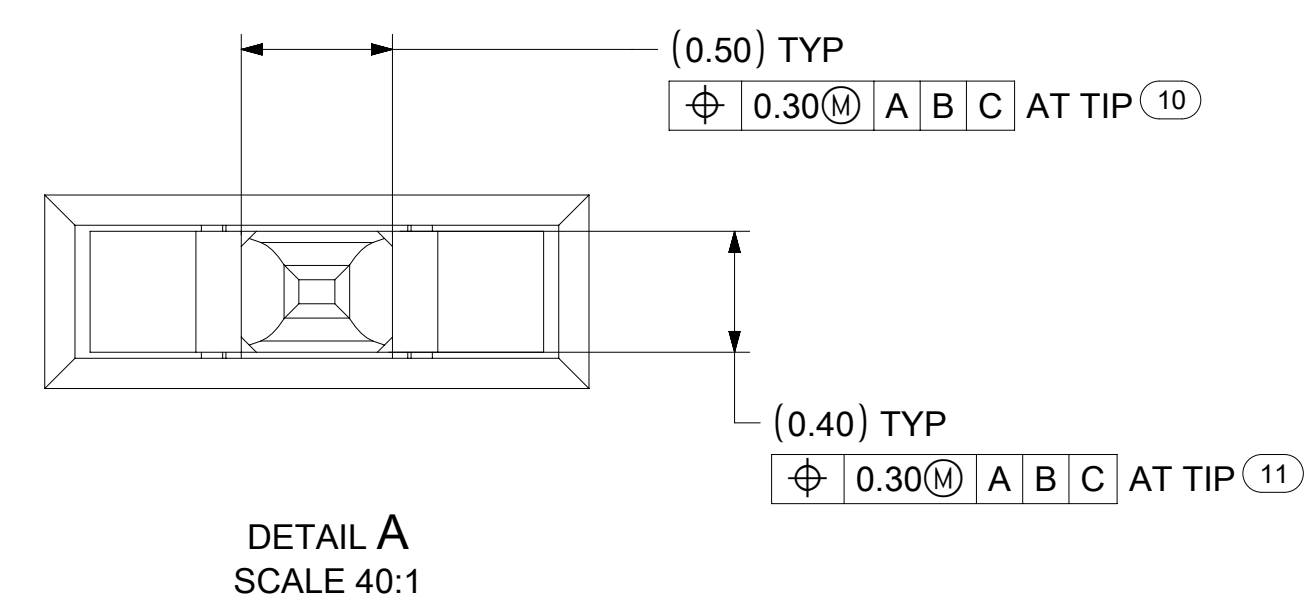
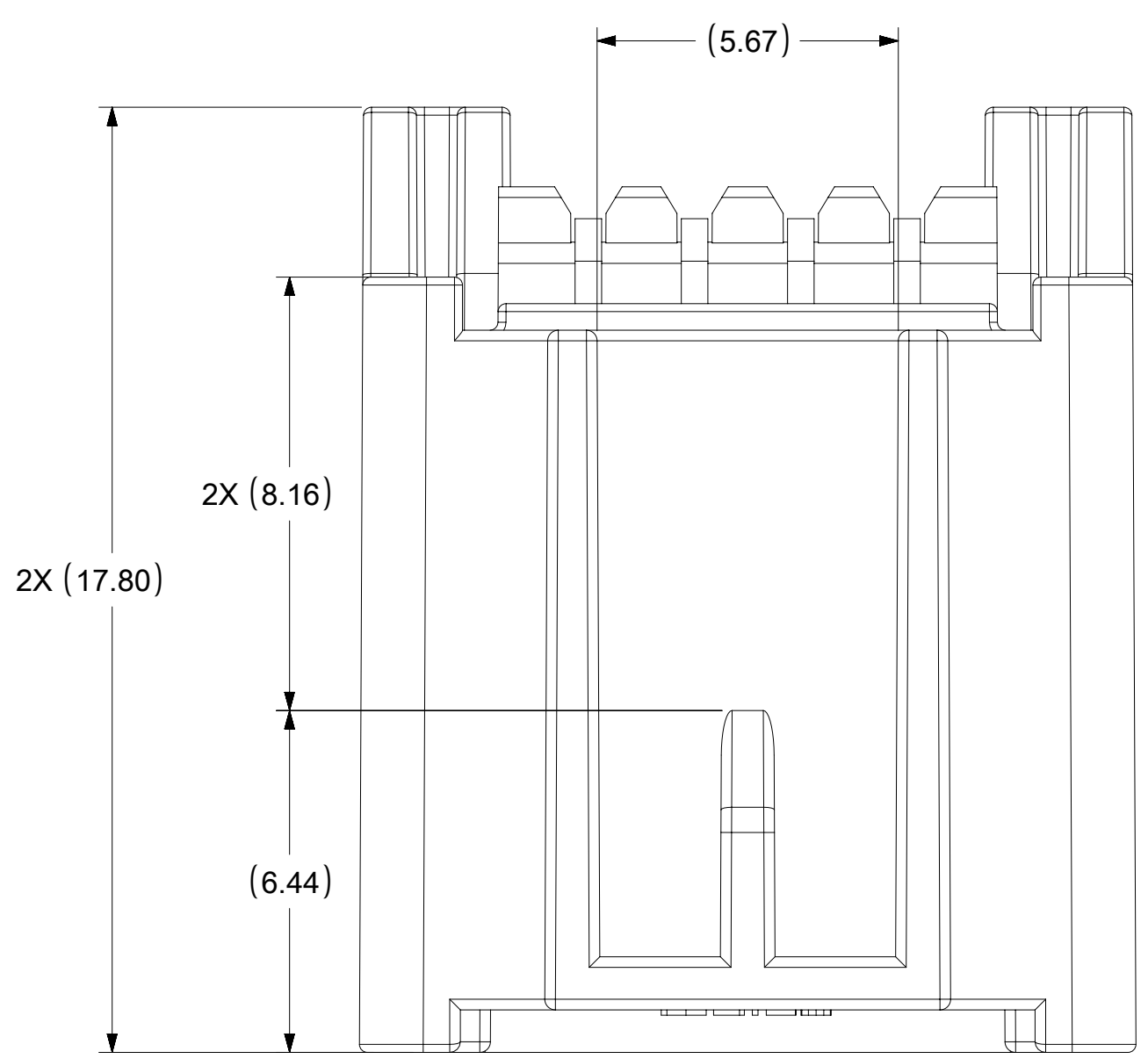
MATERIAL NUMBER			CONFIGURATION	FLAMMABILITY	CIRCUIT	POL	COLOR	BLADE PLATING	MATING COMPONENT	
TAPE AND REEL PACKAGING PK-47799-0001	TUBE PACKAGING PK-31301-688	TRAY PACKAGING PK-31301-440							UN-BRIDGED	BRIDGED
34793-8040	34793-9040	34793-0040	USCAR	HB	4	A	BLACK	TIN OVER NICKEL	34791-0040	34791-0140
34793-8041	34793-9041	34793-0041	USCAR	HB	4	B	GRAY	TIN OVER NICKEL	34791-0041	34791-0141
34793-8042	34793-9042	34793-0042	USCAR	HB	4	C	DARK GRAY	TIN OVER NICKEL	34791-0042	34791-0142
34793-8043	34793-9043	34793-0043	USCAR	HB	4	D	GREEN	TIN OVER NICKEL	34791-0043	34791-0143
34793-8080	34793-9080	34793-0080	USCAR	HB	8	A	BLACK	TIN OVER NICKEL	34791-0080	34791-0180
34793-8081	34793-9081	34793-0081	USCAR	HB	8	B	GRAY	TIN OVER NICKEL	34791-0081	34791-0181
34793-8082	34793-9082	34793-0082	USCAR	HB	8	C	DARK GRAY	TIN OVER NICKEL	34791-0082	34791-0182
215426-8080	215426-9080	215426-0080	USCAR	V0	8	A	BLACK	TIN OVER NICKEL	34791-0080	34791-0180
215426-8081	215426-9081	215426-0081	USCAR	V0	8	B	GRAY	TIN OVER NICKEL	34791-0081	34791-0181
215426-8082	215426-9082	215426-0082	USCAR	V0	8	C	DARK GRAY	TIN OVER NICKEL	34791-0082	34791-0182

INSPECTION BALLON NUMBER LOG PER DRAWING REVISION: F6 LAST BALLOON USED: 11 ADDED BALLOON NUMBERS: REMOVED BALLOON NUMBERS: 1	F6	PAGE 1: ADDED NOTE 3g
	F5	PAGE 1: ADDED V0 P/N TO THE TABLE ADDED VIEW TO SHOW V0 IDENTIFIER
	F4	DRAWING REMASTERED PAGE 2: BASIC UPDATED ON SECTION C-C PAGE 3: BASIC UPDATED ON SECTION D-D
	F2	PAGE 2: PIN TP ADDED
	F1	NX REMASTERING
	REV	DESCRIPTION

THIS DRAWING CONTAINS INFORMATION THAT IS PROPRIETARY TO MOLEX ELECTRONIC TECHNOLOGIES, LLC AND SHOULD NOT BE USED WITHOUT WRITTEN PERMISSION

DIMENSION UNITS	SCALE	CURRENT REV DESC:		 MINI50 4 AND 8CKT R/A SALES DRAWING PRODUCT CUSTOMER DRAWING
mm	5:1	EC NO: 638407		
GENERAL TOLERANCES (UNLESS SPECIFIED)		DRWN: KHEWITT	2020/05/27	
ANGULAR TOL	± °	CHK'D: SRUSS	2020/05/27	
4 PLACES	±	APPR: JDUNAJ	2020/05/28	
3 PLACES	±	INITIAL REVISION:		
2 PLACES	± 0.1	DRWN: TMACHUGA	2011/11/15	
1 PLACE	± 0.2	APPR: SMARCEAU	2011/11/21	
0 PLACES	±			
DRAFT WHERE APPLICABLE MUST REMAIN WITHIN DIMENSIONS	THIRD ANGLE PROJECTION	DRAWING	SERIES	DOCUMENT NUMBER
		D-SIZE	34793	SD-34793-001
		MATERIAL NUMBER	CUSTOMER	DOC TYPE
			GENERAL MARKET	DOC PART
				REVISION
				F6
				SHEET NUMBER
				1 OF 3

4 CKT RIGHT ANGLE HEADER

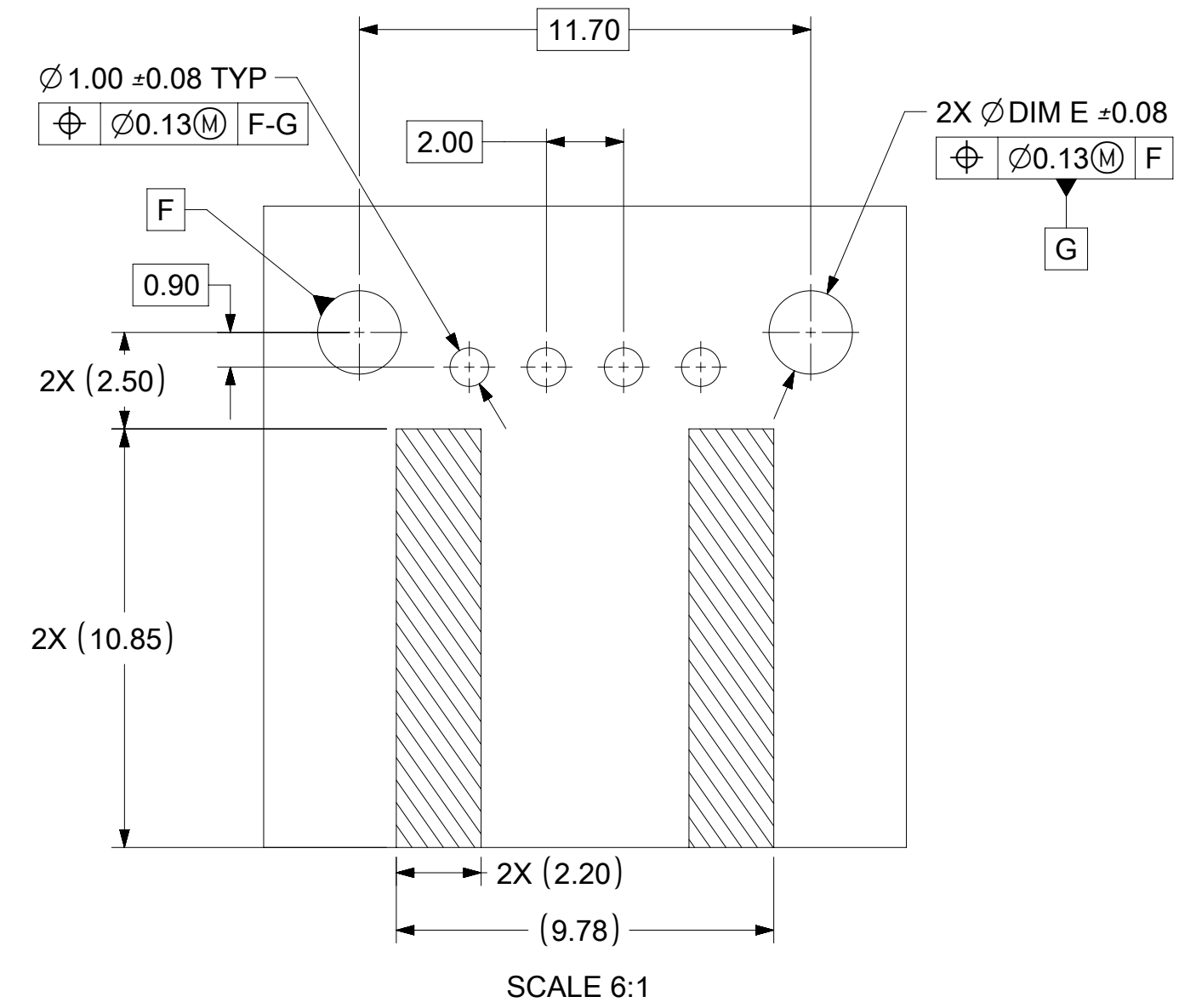
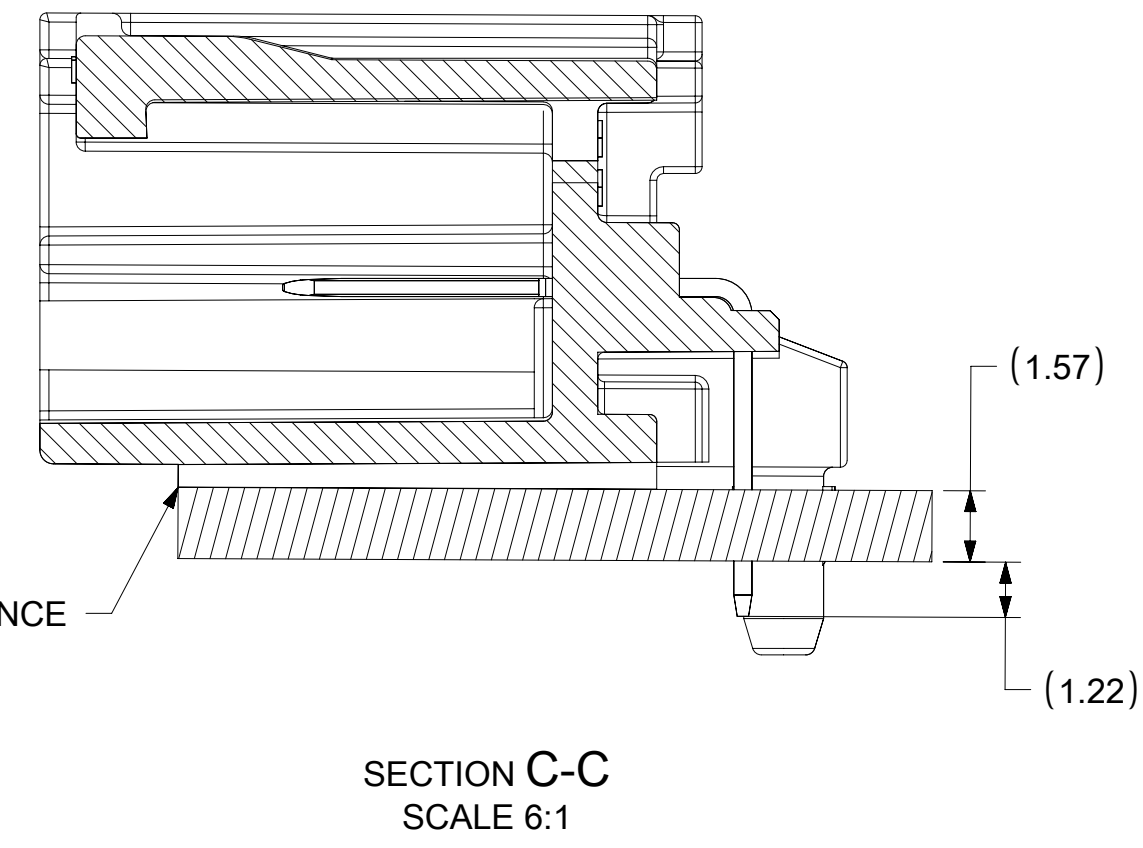
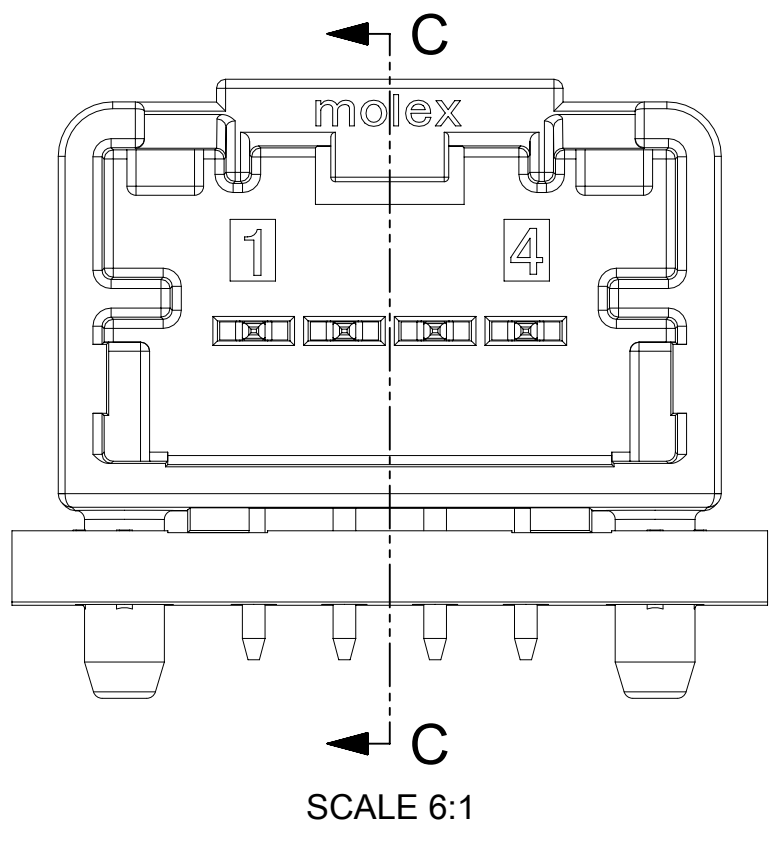


PCB LAYOUT

BOARD SHOWN FOR REFERENCE ONLY

POST HOLE TABLE

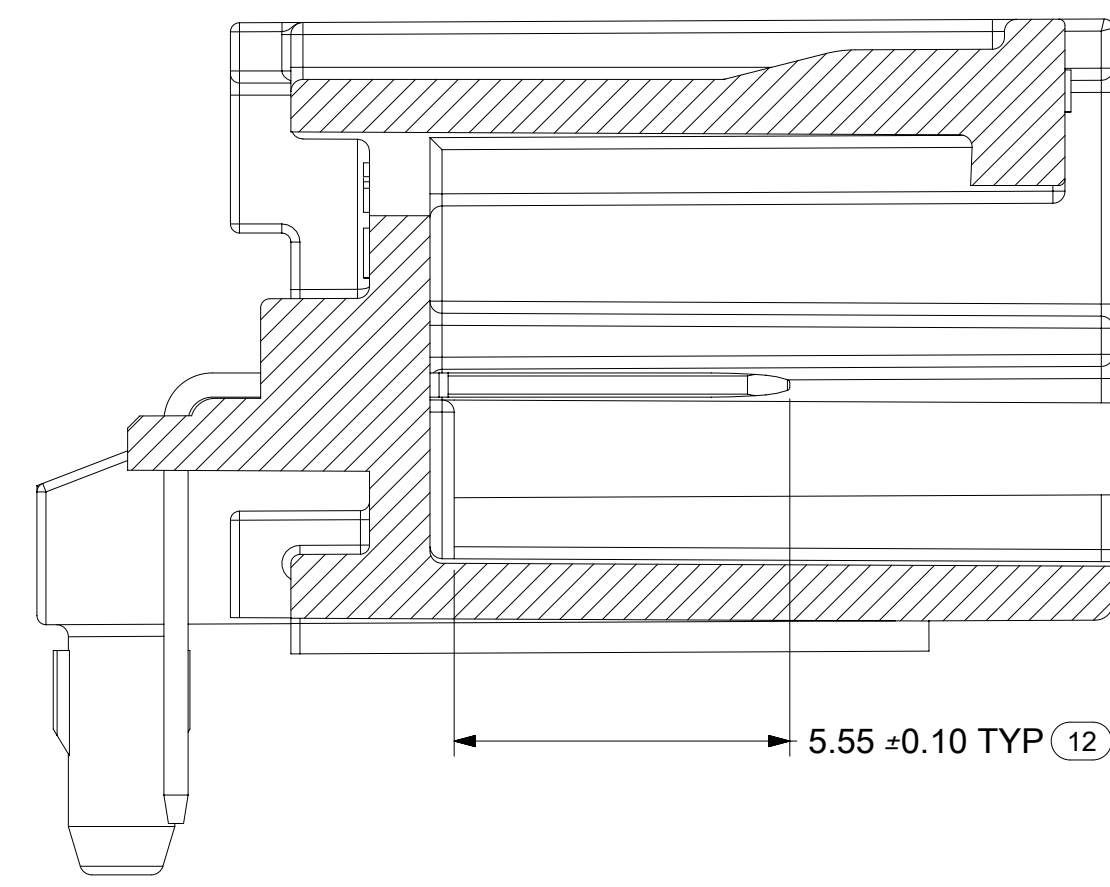
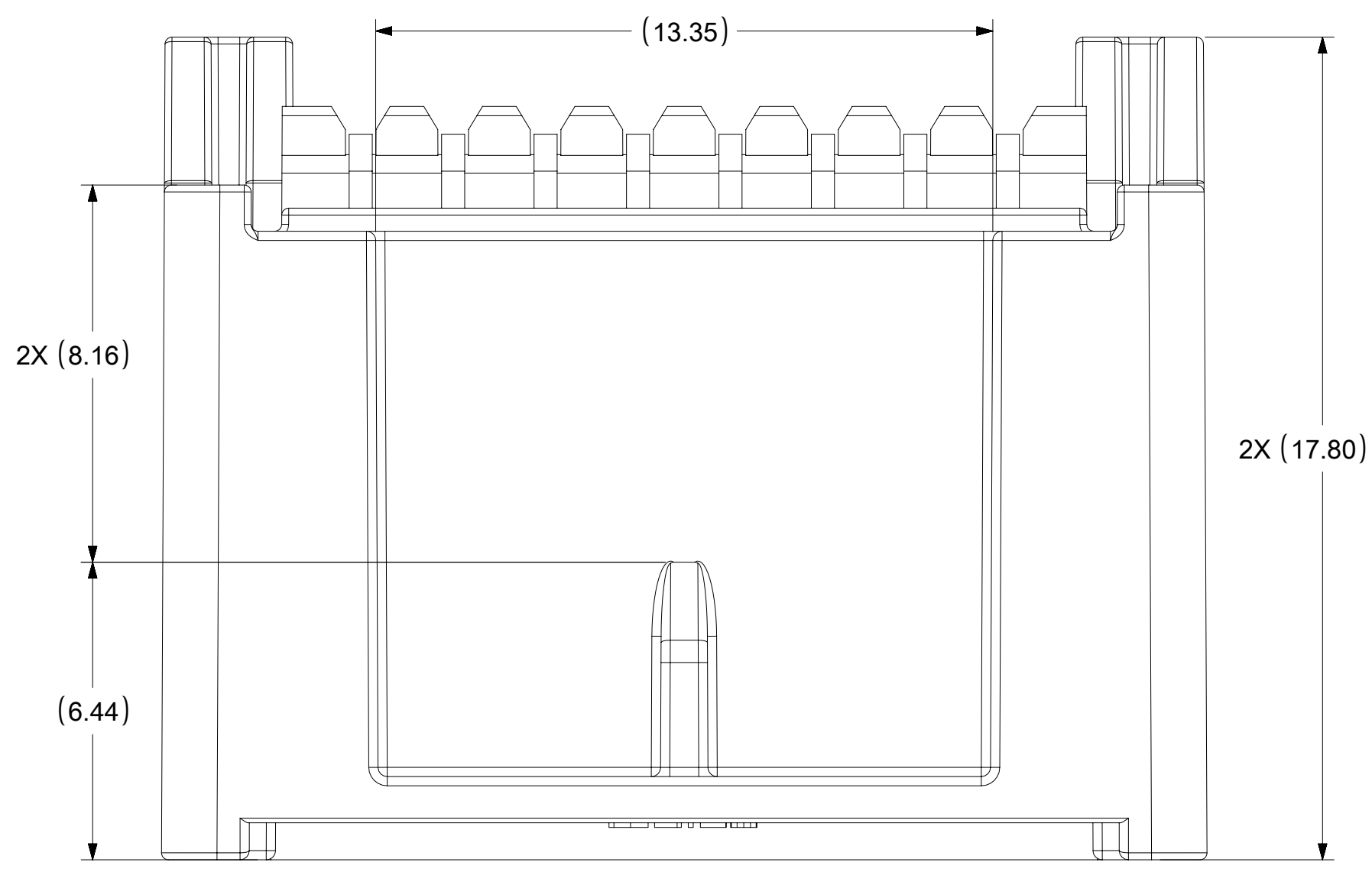
	DIM 'E'
PRESS FIT	2.15
DROP IN	2.55



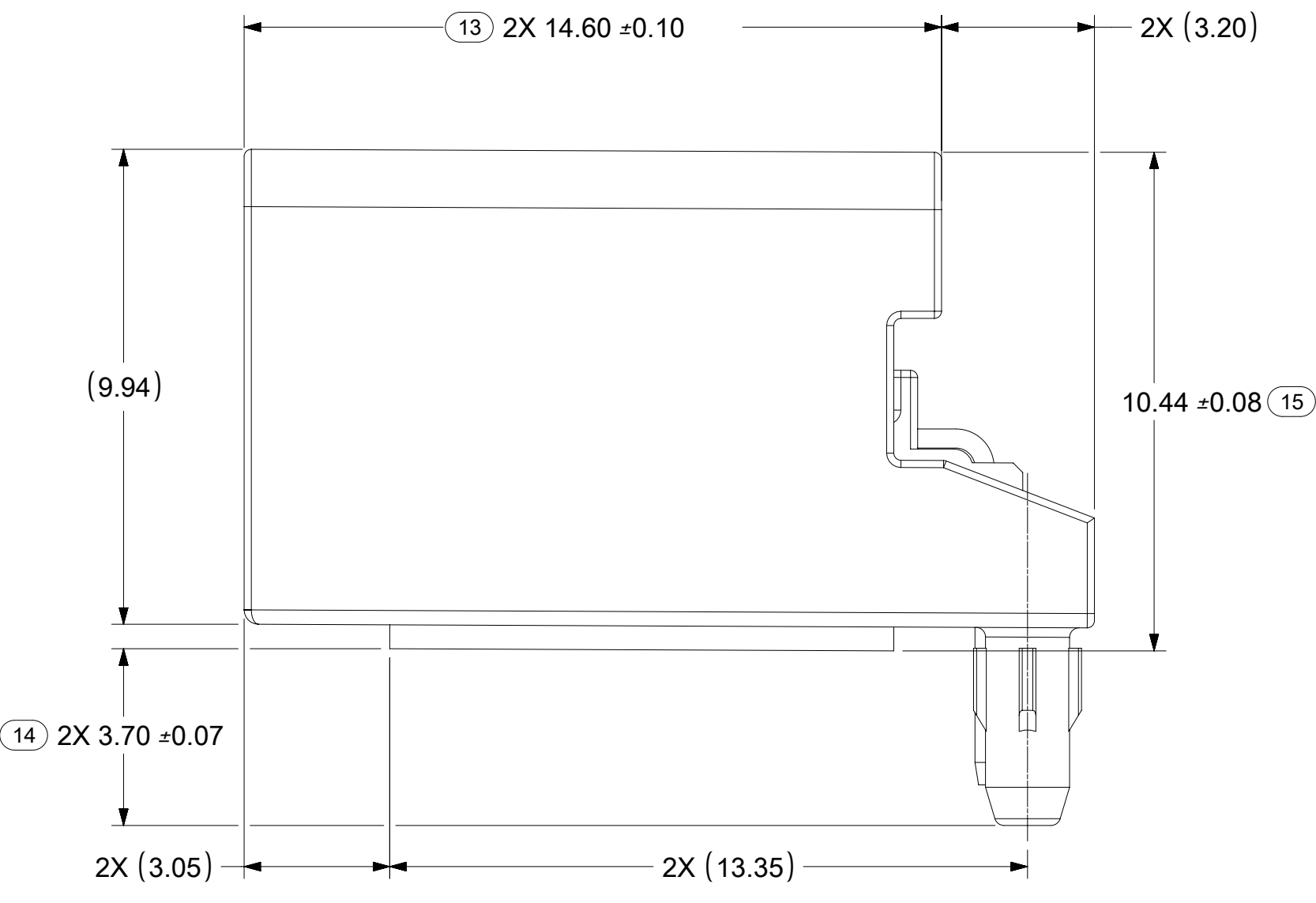
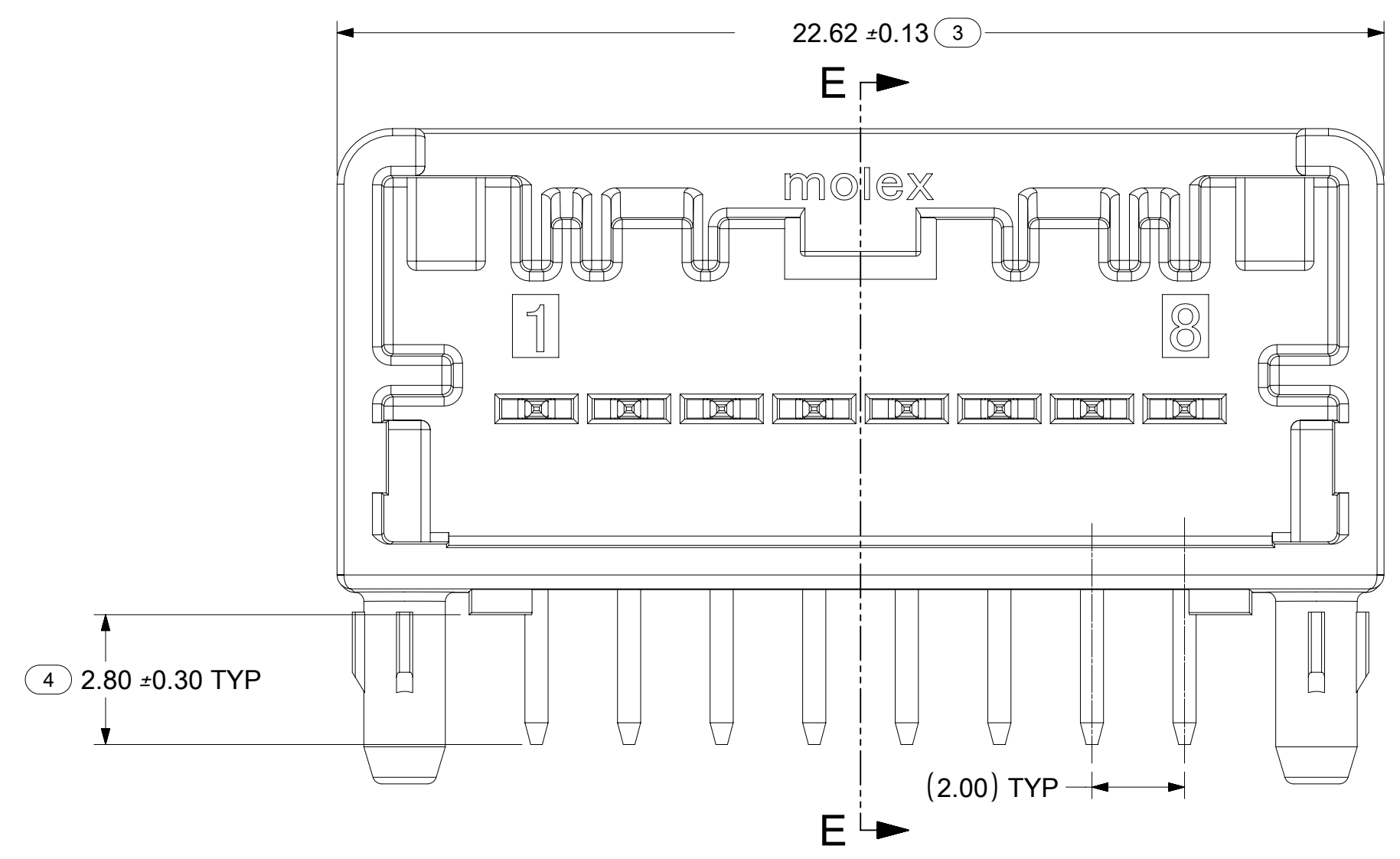
THIS DRAWING CONTAINS INFORMATION THAT IS PROPRIETARY TO MOLEX ELECTRONIC TECHNOLOGIES, LLC AND SHOULD NOT BE USED WITHOUT WRITTEN PERMISSION

DIMENSION UNITS	SCALE	CURRENT REV DESC:		molex		
mm	8:1			MINI50 4 AND 8CKT R/A SALES DRAWING		
GENERAL TOLERANCES (UNLESS SPECIFIED)		EC NO: 638407		PRODUCT CUSTOMER DRAWING		
ANGULAR TOL	± °	DRWN: KHEWITT	2020/05/27	DOCUMENT NUMBER		
4 PLACES	±	CHK'D: SRUSS	2020/05/27	DOC TYPE DOC PART REVISION		
3 PLACES	±	APPR: JDUNAJ	2020/05/28	SD-34793-001 PSD 001 F6		
2 PLACES	± 0.1	INITIAL REVISION:		MATERIAL NUMBER		
1 PLACE	± 0.2	DRWN: TMACHUGA	2011/11/15	CUSTOMER		
0 PLACES	±	APPR: SMARCEAU	2011/11/21	GENERAL MARKET		
DRAFT WHERE APPLICABLE MUST REMAIN WITHIN DIMENSIONS		THIRD ANGLE PROJECTION	DRAWING	SERIES	SHEET NUMBER	
			D-SIZE	34793	2 OF 3	

8 CKT RIGHT ANGLE HEADER

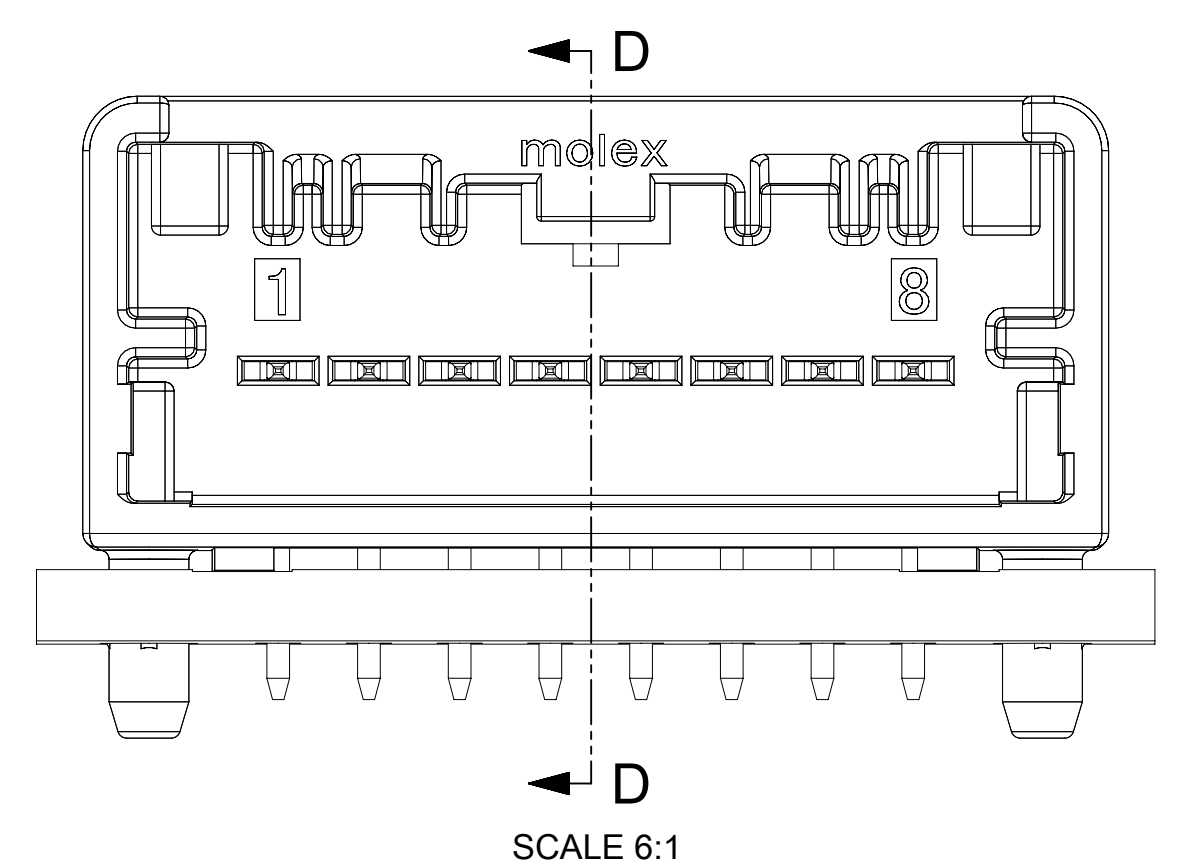


SECTION E-E



PCB LAYOUT

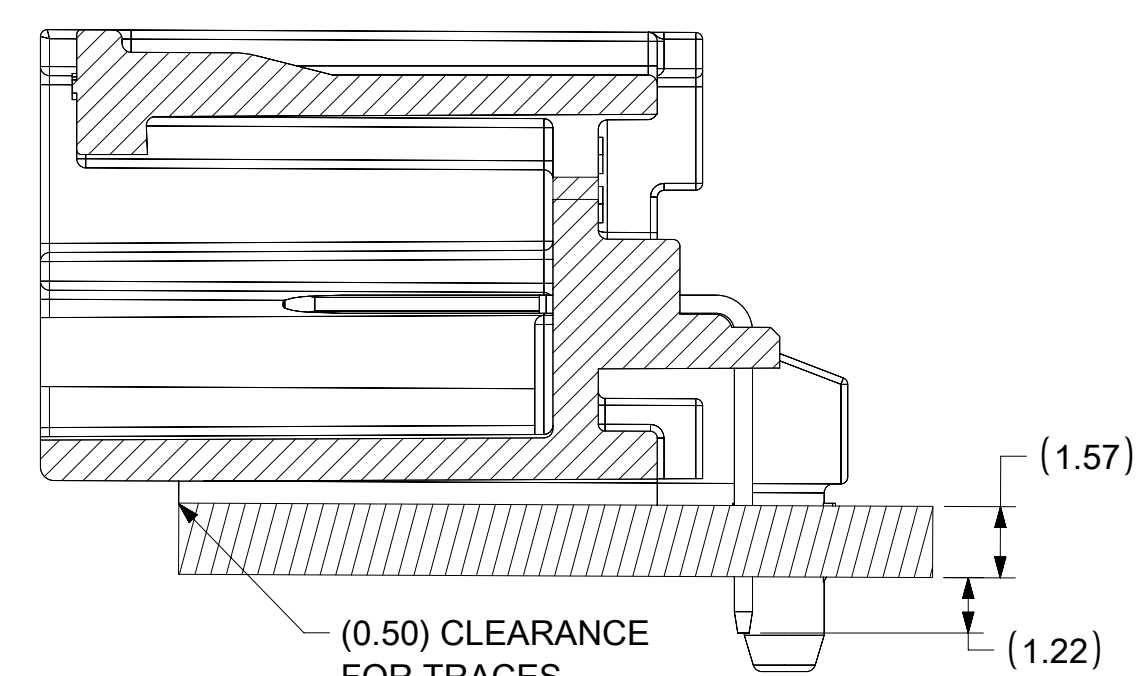
BOARD SHOWN FOR REFERENCE ONLY



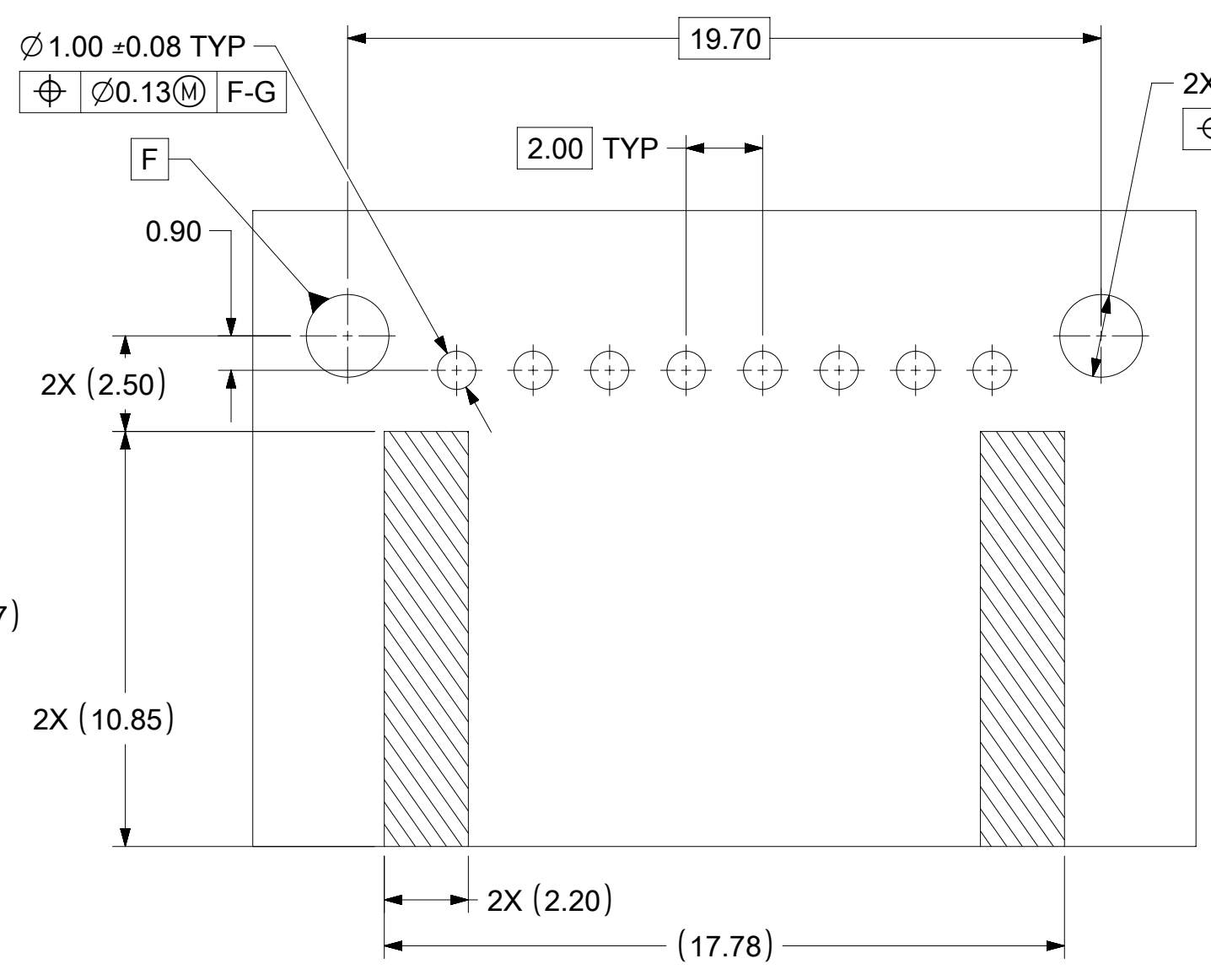
SCALE 6:1

POST HOLE TABLE

	DIM 'E'
PRESS FIT	2.15
DROP IN	2.55



SECTION D-D
SCALE 6:1



SCALE 6:1

THIS DRAWING CONTAINS INFORMATION THAT IS PROPRIETARY TO MOLEX ELECTRONIC TECHNOLOGIES, LLC AND SHOULD NOT BE USED WITHOUT WRITTEN PERMISSION

DIMENSION UNITS	SCALE	CURRENT REV DESC:	
mm	8:1		
GENERAL TOLERANCES (UNLESS SPECIFIED)			
ANGULAR TOL	± °		
4 PLACES	±	EC NO: 638407	2020/05/27
3 PLACES	±	DRWN: KHEWITT	2020/05/27
2 PLACES	± 0.1	APP: JDUNAJ	2020/05/28
1 PLACE	± 0.2	INITIAL REVISION:	
0 PLACES	±	DRWN: TMACHUGA	2011/11/15
DRAFT WHERE APPLICABLE MUST REMAIN WITHIN DIMENSIONS		APP: SMARCEAU	2011/11/21
THIRD ANGLE PROJECTION	DRAWING	SERIES	MATERIAL NUMBER
	D-SIZE	34793	
		CUSTOMER	SHEET NUMBER
		GENERAL MARKET	3 OF 3

molex

MINI50 4 AND 8CKT R/A SALES DRAWING

PRODUCT CUSTOMER DRAWING

DOCUMENT NUMBER	DOC TYPE	DOC PART	REVISION
SD-34793-001	PSD	001	F6