

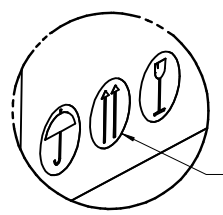
PRODUCT ID LABEL
(1) PER REEL

SEE DETAIL 1

SHIPPER ID LABEL
(1-2)/CARTON AS REQUIRED

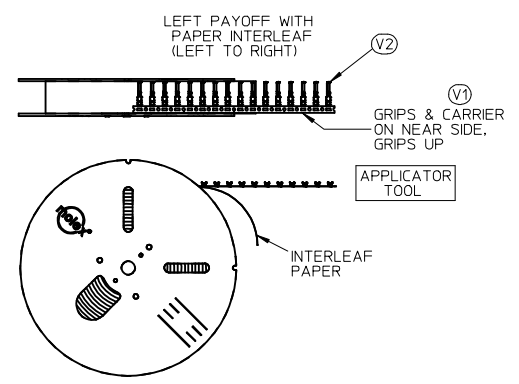
PALLET 0313016630
635 mm X 635 mm
(26" X 26")
(SEE NOTE 6)

CUSTOMER COPY



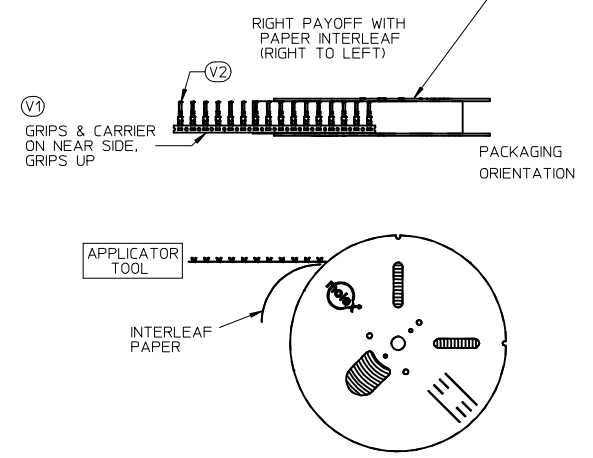
DETAIL 1
SCALE 1:1.33

**PAYOFF
DIRECTION D**



PLACE PRODUCT ID LABEL ON THIS SIDE TO INDICATE THE PREFERRED PACKAGING ORIENTATION

**PAYOFF
DIRECTION B**



- NOTES:**
1. NUMBER OF TERMINALS PER REEL: SEE TABLE (SHEET 2)
 2. STANDARD PACK QUANTITY (SPQ): SEE TABLE (SHEET 2)
 3. NUMBER OF REELS PER CARTON: SEE TABLE (SHEET 2)
 4. SPLICING: NO BREAKS, MAXIMUM 1 WELD PER REEL
 5. TO MINIMIZE STRESS ON TERMINALS, REELS SHOULD ALWAYS BE SHIPPED ON PALLETS WITH THE REELS LAYING FLAT AS SHOWN.
 6. PLACE CARTONS ON PALLET WITH ARROWS POINTING UP PER DETAIL 1
 7. FOR INTERNAL COPY SEE: PK-31301-053

SPO CORRECTION EC NO: UAU2015-0955 DRAWN: PHELPS 2014/12/19 CHKD: APPR: JNORTHRO 2015/01/26 REV: 4	QUALITY SYMBOLS ▽=0 ▽=0	GENERAL TOLERANCES (UNLESS SPECIFIED)		DIMENSION STYLE MM ONLY	SCALE 1:10	DESIGN UNITS METRIC	THIRD ANGLE PROJECTION		
		4 PLACES ± --- ± --- 3 PLACES ± --- ± --- 2 PLACES ± --- ± --- 1 PLACE ± --- ± ---	mm INCH	DRAWN BY PPHELPS	DATE 2012/10/24	TITLE CTX PACKAGING SPEC GEN. MRKT. PRODUCT CUSTOMER COPY			
		ANGULAR ± 1 °		CHECKED BY DATE	APPROVED BY JNORTHRO		DATE 2012/11/26	MOLEX MOLEX INCORPORATED	
		DRAFT WHERE APPLICABLE MUST REMAIN WITHIN DIMENSIONS		MATERIAL NO. SEE TABLE	DOCUMENT NO. SD-31301-053	SHEET NO. 1 OF 2			

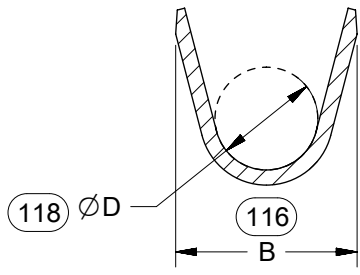
THIS DRAWING CONTAINS INFORMATION THAT IS PROPRIETARY TO MOLEX INCORPORATED AND SHOULD NOT BE USED WITHOUT WRITTEN PERMISSION

PACKAGING DATA											
PRODUCT DESCRIPTION	CTX 64				CTX 150			CTX 280 SEALED			
PRODUCT P/N SERIES	0348030*** 0348031*** 0348032***		0348033*** 0348035***		034805****			034808****			
GRIP CODE	S	L	S	L	S	M	L	VS	S	M	L
PART WT (Kg/1000)	.1552	.1642	.126	.126	.3070	.3270	.3470	.6596	.6886	.7106	.7332
STAND PACK QTY (SPQ)	60000	60000	60000	60000	35000	30000	25000	10000	10000	10000	10000
QTY/REEL	10000	10000	10000	10000	7000	6000	5000	2000	2000	2000	2000
REELS/SHIPPER CARTON	6	6	6	6	5	5	5	5	5	5	5
CARTONS/PALLET (MAX)	5	5	5	5	5	5	5	5	5	5	5
FILLED CARTON WT (Kg)	14.83	15.37	TBD	TBD	15.64	14.70	13.57	11.5	11.8	12.0	12.2
FLANGE DIAMETER (MM)	610	610	610	610	610	610	610	610	610	610	610

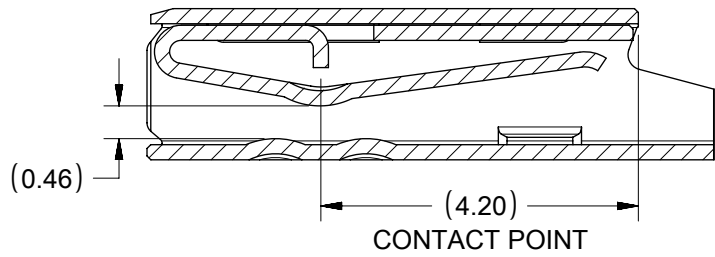
CUSTOMER COPY

SPQ CORRECTION EC NO: UAU2015-0955 DRWN:PPHELPS 2014/12/19 CHKD: APPR: JNORTHRO 2015/01/26 REV: 4	DESCRIPTION JNORTHRO	QUALITY SYMBOLS	GENERAL TOLERANCES (UNLESS SPECIFIED) <table border="1"> <tr> <td></td> <td>mm</td> <td>INCH</td> </tr> <tr> <td>4 PLACES</td> <td>± ---</td> <td>± ---</td> </tr> <tr> <td>3 PLACES</td> <td>± ---</td> <td>± ---</td> </tr> <tr> <td>2 PLACES</td> <td>± ---</td> <td>± ---</td> </tr> <tr> <td>1 PLACE</td> <td>± ---</td> <td>± ---</td> </tr> </table>		mm	INCH	4 PLACES	± ---	± ---	3 PLACES	± ---	± ---	2 PLACES	± ---	± ---	1 PLACE	± ---	± ---	DIMENSION STYLE	SCALE	DESIGN UNITS	THIRD ANGLE PROJECTION
				mm	INCH																	
		4 PLACES		± ---	± ---																	
		3 PLACES		± ---	± ---																	
2 PLACES	± ---	± ---																				
1 PLACE	± ---	± ---																				
	MM ONLY	1:15	METRIC																			
		DRAWN BY PPHELPS CHECKED BY DATE 2012/10/24	TITLE CTX PACKAGING SPEC GEN. MRKT. PRODUCT CUSTOMER COPY																			
		APPROVED BY JNORTHRO DATE 2012/11/26	MATERIAL NO. SEE TABLE		DOCUMENT NO. SD-31301-053		SHEET NO. 2 OF 2															

TIN CONTACT SHAPE

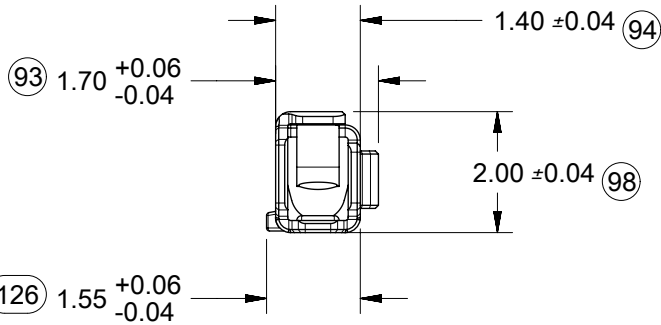
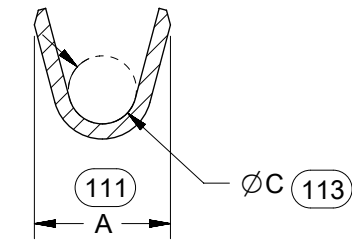


SECTION Y-Y
SCALE 10:1
INSULATION GRIP



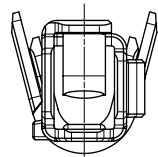
SECTION U-U
SCALE 10:1

SECTION Z-Z
SCALE 10:1
CONDUCTOR GRIP



SCALE 8:1

SILVER CONTACT SHAPE



SCALE 8:1

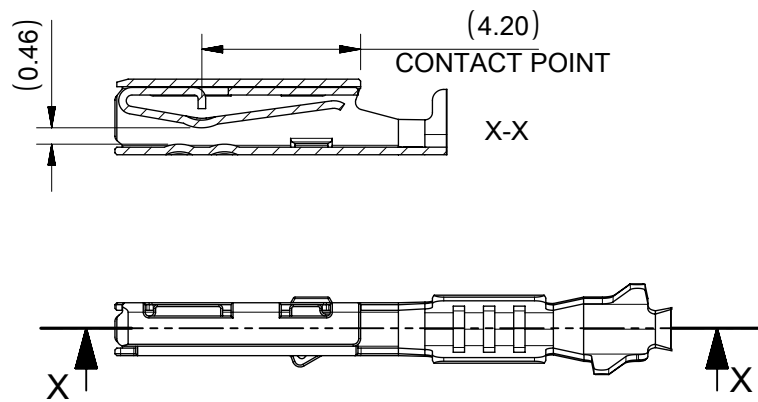
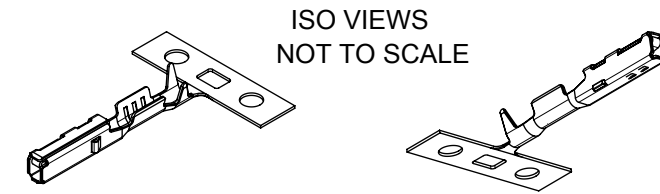
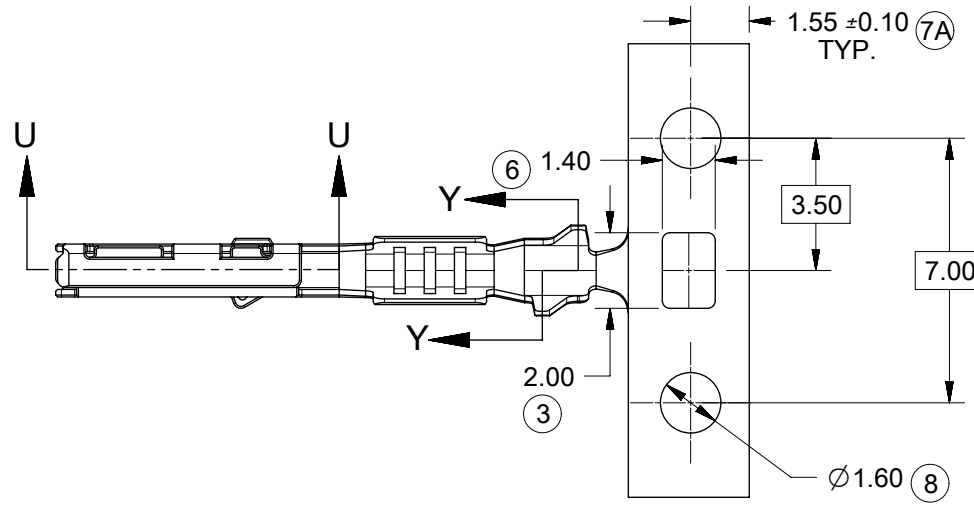


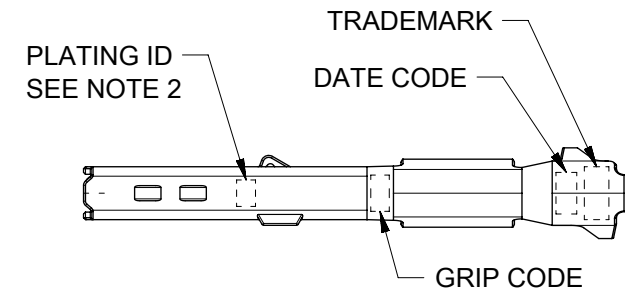
TABLE 1													
FAMILY	GENDER	SEALING	PLATING	PART NO	PAYOFF DIRECTION	GRIP CODE	WIRE SIZES*	A ±0.20	B ±0.30	C ±0.10	D ±0.20	SPECIAL CHARACTERISTICS	
CTX64	RECEPTACLE	MAT SEAL	Sn	34803-3211	LEFT (D)	S	22AWG 0.22-0.35mm ²	1.80	2.40	0.90	1.36	STANDARD PERFORMANCE TIN	
				34803-3213	RIGHT (B)							STANDARD PERFORMANCE TIN	
				34803-3212	LEFT (D)	L	20AWG 0.50-0.85mm ²	2.15	2.50	1.20	1.72	STANDARD PERFORMANCE TIN	
				34803-3214	RIGHT (B)							STANDARD PERFORMANCE TIN	
			Ag	34803-5303	LEFT (D)	S	22AWG 0.22-0.35mm ²	1.80	2.40	0.90	1.36	HIGH PERFORMANCE SILVER	
				34803-5307	RIGHT (B)							HIGH PERFORMANCE SILVER	
				34803-5305	LEFT (D)	L	20AWG 0.50-0.85mm ²	2.15	2.50	1.20	1.72	HIGH PERFORMANCE SILVER	
				34803-5309	RIGHT (B)							HIGH PERFORMANCE SILVER	

* SEE AS-502306-002 FOR SPECIFIC WIRE TYPES



NOTES: (UNLESS OTHERWISE SPECIFIED)

1. MATERIAL: COPPER ALLOY
2. PLATING MARK: TIN (Sn) - NO MARK
SILVER (Ag) - A
3. PACKAGING PER SD-31301-053
4. CRIMPING PER AS-502306-002
5. PROBING AT ANY LOCATION ON THE TERMINAL BEAM IS NOT PERMITTED
6. PRODUCT SPECIFICATION PER PS-502306-001
7. ANTI-TARNISH TREATMENT FOR SILVER PLATED AREA: SYNTHETIC HYDROCARBON CONTACT SURFACE FINISH OR EQUIVALENT



THIS DRAWING CONTAINS INFORMATION THAT IS PROPRIETARY TO MOLEX ELECTRONIC TECHNOLOGIES, LLC AND SHOULD NOT BE USED WITHOUT WRITTEN PERMISSION																
QUALITY SYMBOLS	▽ = 0	EC NO: 172386	DRWN: NVENKATESHSH	CHKD: TOMSMITH	APPR: TOMSMITH	GENERAL TOLERANCES (UNLESS SPECIFIED)	DIMENSION UNITS		SCALE		 CTX64 RECEPTACLE TERMINAL					
	▽ = 0						mm	5:1								
	▽ = 0						ANGULAR TOL ± 1.0 °									
	▽ = 0						4 PLACES ±									
▽ = 0	▽ = 0	EC NO: 172386	DRWN: NVENKATESHSH	CHKD: TOMSMITH	APPR: TOMSMITH	3 PLACES ±	DRWN BY		DATE		PRODUCT CUSTOMER DRAWING					
▽ = 0	2 PLACES ± 0.08					BJENNINGS01		2014/05/21								
▽ = 0	1 PLACE ± 0.08					CHK'D BY		DATE								
▽ = 0	0 PLACES ±					ADHIR		2014/05/21								
▽ = 0	▽ = 0	EC NO: 172386	DRWN: NVENKATESHSH	CHKD: TOMSMITH	APPR: TOMSMITH	DRAFT WHERE APPLICABLE MUST REMAIN WITHIN DIMENSIONS		APPR BY		DATE		SERIES: 34803 MATERIAL NUMBER: [] CUSTOMER: GENERAL MARKET				
▽ = 0	B					BMOSE		2014/06/02								
▽ = 0	DRAWING SIZE					THIRD ANGLE PROJECTION		DOCUMENT NUMBER: SD-34803-002 DOC TYPE: PSD DOC PART: 001 SHEET NUMBER: 1 OF 1								
▽ = 0	B					B										