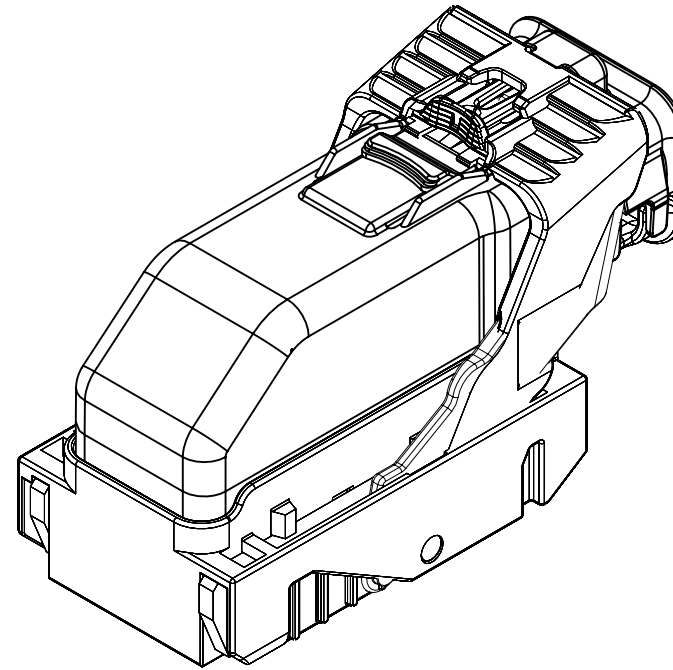

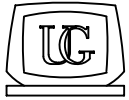


INDEX	
PAGE TITLE	PAGE
TITLE BLOCK	1
REVISION BLOCK	2
PART BLOCK	3
KPC BLOCK	4
COMPONENT TABLE	5
NOTES	6
NOTES	7
WIRE DRESS PACKAGING DIMENSIONS	8
LOCATION AND PACKAGING DIMENSIONS REFERENCING INTERFACE DATUMS B & C	9
LOCATION AND PACKAGING DIMENSIONS REFERENCING INTERFACE DATUM A	10
KEY ID REF - WIRE DRESS OPTION 0	11
KEY ID REF - WIRE DRESS OPTION 9	12
CIRCUIT CONFIGURATIONS	13
CIRCUIT CONFIGURATIONS	14
COMPONENT CONNECTOR INTERFACE	15
COMPONENT CONNECTOR INTERFACE	16
COMPONENT CONNECTOR INTERFACE	17
COMPONENT CONNECTOR INTERFACE	18
COMPONENT CONNECTOR INTERFACE	19
COMPONENT CONNECTOR INTERFACE	20
COMPONENT CONNECTOR INTERFACE	21




ISO VIEW

	<p>UNLESS OTHERWISE SPECIFIED: THIS DOCUMENT IS IN ACCORDANCE WITH ASME Y14.5M-1994 AS AMMENDED BY THE GM GLOBAL DIMENSIONING AND TOLERANCING ADDENDUM-1997. ALL GEOMETRIC TOLERANCES AND RELATED DATUMS APPLY RFS. RULE #1 (PERFECT FORM AT MMC) DOES NOT APPLY WHEN A RELATIONSHIP BETWEEN FEATURES IS ESTABLISHED BY ORIENTATION OR LOCATION TOLERANCES. SEPARATE POSITION CALLOUTS MAY BE GAGED SEPARATELY REGARDLESS OF DATUM REFERENCES.</p>			DATE
	 CHANGE RESTRICTED NO MANUAL CHANGES	REFERENCE 12H (MOLEX AUTOMOTIVE)	DRAFTER J SZYMKOWSKI APVD1 D PFAFFINGER APVD2 B BURT APVD3 APVD4 APVD5	22DE05 22DE05 22DE05
DO NOT SCALE	DRAWING NAME HARNES CONN ASM 66/73/80 CKTS			
METRIC DIMENSIONS SHOWN IN MILLIMETERS UNLESS OTHERWISE SPECIFIED	DRAWING NUMBER 12642695		DWG STATUS ST REV PDI R 002	
			PAGE NUMBER 1 OF 21	

PAGE	DWG STATUS					REVISION HISTORY	AUTH	DR	CK	ENG
	DATE	ST	REV	CHG	PDI					
	19DE11	R	001			RELEASED TO PRODUCTION AT DLS A	CRMRJB	SC	MRO	GF
3	08MY15	R	002	A		REORDERED PART BLOCK AND ADDED MASS CORRECTED P/N TYPO FROM 12562676 TO 12582676				
3, 5		R	002	B		ADDED 12659312, 12659313, 12653574 AND 12653575				
6		R	002	C		REMOVED NOTE 1 . D . 3 . C				
20		R	002	D		DIM 125 WAS 3.25 DIM 131 WAS 5.5	CRMRJD	DFK	MRO	GF

PAGE	DWG STATUS					REVISION HISTORY	AUTH	DR	CK	ENG
	DATE	ST	REV	CHG	PDI					

	PAGE TITLE	DRAWING NUMBER	DWG STATUS			PAGE NUMBER	
	REVISION BLOCK		12642695	ST	REV	PDI	2 OF 21
				R	002		

KEY PRODUCT CHARACTERISTICS
(IN ACCORDANCE WITH QN 1805 OR ON 1050)



SAFETY/COMPLIANCE

TOTAL ON
DRAWING

5



FIT/FUNCTION

LAST NO.
USED

5

NO	TYPE	DESCRIPTION	RATIONALE	PAGE/ZONE
1	F/F	32.68	IMPROVE CONNECTOR SYSTEM MATING	15
2	F/F	29.00	INSURE PROPER RELEASE OF LEVER	15
3	F/F	15.25	INSURE FINAL MATE POSITION	16
5	F/F	POSITIONAL TOLERANCE (2 PLACES)	INSURE CONNECTOR SYSTEM MATEABILITY	19



PAGE TITLE
KPC BLOCK

DRAWING NUMBER

12642695

DWG STATUS

ST	REV	PD1
----	-----	-----

R	002	
---	-----	--

PAGE NUMBER

4 OF 21

LINE	MFG.	MFG. P/N	GM P/N	EFFECTIVE DATE	APPLICABLE COMPONENTS	KEY OPTION	WIRE DRESS OPTION	KEY CONFIG.	COLOR	STATUS
					DESCRIPTION					
-										
1	MOLEX	34565-0003	12582676	02JN03	MX123 DRESS COVER 66/73/80 CKT	N/A	N/A	N/A	BLACK	AVAILABLE
2	MOLEX	34822-0013	12642692	01SP13	MX123 HRNS CONN ASSY 66 CKT	A	0	1458	BLACK	AVAILABLE
3	MOLEX	34822-0033	12659312	01SP13	MX123 HRNS CONN ASSY 66 CKT	C	0	2467	BLUE	AVAILABLE
4	MOLEX	34822-0023	12642693	01SP13	MX123 HRNS CONN ASSY 66 CKT	A	9	1458	BLACK	AVAILABLE
5	MOLEX	34822-0043	12659313	01SP13	MX123 HRNS CONN ASSY 66 CKT	C	9	2467	BLUE	AVAILABLE
6	MOLEX	34566-0103	12582677	11JN04	MX123 HRNS CONN ASSY 73 CKT	A	0	1458	BLACK	AVAILABLE
7	MOLEX	34566-0203	12582678	11JN04	MX123 HRNS CONN ASSY 73 CKT	B	0	1468	ST GRAY	AVAILABLE
8	MOLEX	34566-0303	12615654	09AP08	MX123 HRNS CONN ASSY 73 CKT	C	0	2467	BLUE	AVAILABLE
9	MOLEX	34566-0403	12647268	T.B.D	MX123 HRNS CONN ASSY 73 CKT	D	0	2367	BROWN	NOT ACTIVE
10	MOLEX	34566-0503	AMJ28633	T.B.D	MX123 HRNS CONN ASSY 73 CKT	E	0	2468	GREEN	NOT ACTIVE
11	MOLEX	34566-0603	12653574	05DC14	MX123 HRNS CONN ASSY 73 CKT	F	0	1357	NATURAL	AVAILABLE
12	MOLEX	34566-0703	12588057	09AP08	MX123 HRNS CONN ASSY 80 CKT	G	0	1358	BLUE	AVAILABLE
13	MOLEX	34566-0803	12588058	11JN04	MX123 HRNS CONN ASSY 80 CKT	H	0	2458	ST GRAY	AVAILABLE
14	MOLEX	34566-0903	12615656	T.B.D	MX123 HRNS CONN ASSY 80 CKT	J	0	2457	BLACK	NOT ACTIVE
15	MOLEX	34566-1003	AMJ28595	T.B.D	MX123 HRNS CONN ASSY 80 CKT	K	0	2357	BROWN	NOT ACTIVE
16	MOLEX	34566-1103	AMJ29057	T.B.D	MX123 HRNS CONN ASSY 80 CKT	L	0	2368	GREEN	NOT ACTIVE
17	MOLEX	34566-1203	AMJ28669	T.B.D	MX123 HRNS CONN ASSY 80 CKT	M	0	2358	NATURAL	NOT ACTIVE
18	MOLEX	34566-1303	12603596	11JN04	MX123 HRNS CONN ASSY 73 CKT	A	9	1458	BLACK	AVAILABLE
19	MOLEX	34566-1403	12603597	11JN04	MX123 HRNS CONN ASSY 73 CKT	B	9	1468	ST GRAY	AVAILABLE
20	MOLEX	34566-1503	12615655	09AP08	MX123 HRNS CONN ASSY 73 CKT	C	9	2467	BLUE	AVAILABLE
21	MOLEX	34566-1603	12647269	T.B.D	MX123 HRNS CONN ASSY 73 CKT	D	9	2367	BROWN	NOT ACTIVE
22	MOLEX	34566-1703	AMJ28698	T.B.D	MX123 HRNS CONN ASSY 73 CKT	E	9	2468	GREEN	NOT ACTIVE
23	MOLEX	34566-1803	12653575	05DC14	MX123 HRNS CONN ASSY 73 CKT	F	9	1357	NATURAL	AVAILABLE
24	MOLEX	34566-1903	12603598	09AP08	MX123 HRNS CONN ASSY 80 CKT	G	9	1358	BLUE	AVAILABLE
25	MOLEX	34566-2003	12603599	11JN04	MX123 HRNS CONN ASSY 80 CKT	H	9	2458	ST GRAY	AVAILABLE
26	MOLEX	34566-2103	12615657	T.B.D	MX123 HRNS CONN ASSY 80 CKT	J	9	2457	BLACK	NOT ACTIVE
27	MOLEX	34566-2203	AMJ29117	T.B.D	MX123 HRNS CONN ASSY 80 CKT	K	9	2357	BROWN	NOT ACTIVE
28	MOLEX	34566-2303	AMJ29136	T.B.D	MX123 HRNS CONN ASSY 80 CKT	L	9	2368	GREEN	NOT ACTIVE
29	MOLEX	34566-2403	AMJ29214	T.B.D	MX123 HRNS CONN ASSY 80 CKT	M	9	2358	NATURAL	NOT ACTIVE
30	MOLEX	34736-2002	12642697	01AU10	MX64 RCPT TERM Ag 18/20 GAGE B (RIGHT PAYOFF)	N/A	N/A	N/A	N/A	AVAILABLE
31	MOLEX	34736-2001	12642696	01AU10	MX64 RCPT TERM Ag 22 GAGE B (RIGHT PAYOFF)	N/A	N/A	N/A	N/A	AVAILABLE
32	MOLEX	34586-0001	T.B.D.	11JN04	MX123 0.64MM GROMMET PLUG	N/A	N/A	N/A	NATURAL	AVAILABLE
33	YAZAKI	7116-4150-02	12588066	02JN03	2.8mm YESC SEALED FEMALE TERMINAL TIN 20/22 GAGE (CABLE RANGE 0.30mm-0.60mm)	N/A	N/A	N/A	N/A	NOT ACTIVE
34	YAZAKI	7116-4151-02	12588067	02JN03	2.8mm YESC SEALED FEMALE TERMINAL TIN 16/18 GAGE (CABLE RANGE 0.75mm-1.40mm)	N/A	N/A	N/A	N/A	NOT ACTIVE
35	YAZAKI	7116-4152-02	12582685	02JN03	2.8mm YESC SEALED FEMALE TERMINAL TIN 14 GAGE (CABLE RANGE 1.50mm-2.50mm)	N/A	N/A	N/A	N/A	AVAILABLE
36	YAZAKI	7158-3111-60	12588068	02JN03	2.8mm CABLE SEAL (wire O.D. range 1.20mm-1.90mm)	N/A	N/A	N/A	GREEN	NOT ACTIVE
37	YAZAKI	7158-3112-70	12588069	02JN03	2.8mm CABLE SEAL (wire O.D. range 1.80mm-2.30mm)	N/A	N/A	N/A	YELLOW	NOT ACTIVE
38	YAZAKI	7158-3113-40	12582686	02JN03	2.8mm CABLE SEAL (wire O.D. range 2.18mm-3.00mm)	N/A	N/A	N/A	WHITE	AVAILABLE
39	YAZAKI	7158-3114-90	T.B.D	02JN03	2.8mm YESC CAVITY PLUG	N/A	N/A	N/A	BLUE	AVAILABLE
40	MOLEX	63811-4200	XX019825	02JN03	MX64 TERM HAND CRIMP TOOL	N/A	N/A	N/A	N/A	AVAILABLE
41	MOLEX	63813-1400	XX019826	02JN03	MX64 TERM SERVICE TOOL	N/A	N/A	N/A	N/A	AVAILABLE
42	MOLEX	63865-8000	XX019827	02JN03	MX64 CRIMP APPLICATOR with TOOL KIT 18/20 GAGE PAYOFF DIRECTION D (left payoff) (contact Molex for payoff detail)	N/A	N/A	N/A	N/A	AVAILABLE
43	MOLEX	63865-8070	XX019828	02JN03	MX64 APPLICATOR TOOL KIT 18/20 GAGE	N/A	N/A	N/A	N/A	AVAILABLE
44	MOLEX	63865-8100	XX019829	02JN03	MX64 CRIMP APPLICATOR with TOOL KIT 22 GAGE PAYOFF DIRECTION D (left payoff) (contact Molex for payoff detail)	N/A	N/A	N/A	N/A	AVAILABLE
45	MOLEX	63865-8170	XX019830	02JN03	MX64 APPLICATOR TOOL KIT 22 GAGE	N/A	N/A	N/A	N/A	AVAILABLE
46	SPX	J35616-64	T.B.D.	02JN03	0.64mm PROBE TOOL (for rcpt)	N/A	N/A	N/A	N/A	AVAILABLE
47	SPX	J35616-64A	T.B.D.	02JN03	0.64mm PROBE TOOL WITH EXT (for rcpt)	N/A	N/A	N/A	N/A	AVAILABLE
48	SPX	J35616-65	T.B.D.	02JN03	0.64mm PROBE TOOL WITH EXT (for pin)	N/A	N/A	N/A	N/A	AVAILABLE
49	SPX	J35616-4A	T.B.D.	02JN03	2.8mm PROBE TOOL (for rcpt)	N/A	N/A	N/A	N/A	AVAILABLE
50	YAZAKI	X39899-J374	12094430	02JN03	2.8mm TERM SERVICE TOOL	N/A	N/A	N/A	N/A	AVAILABLE

002B

* - MX123 DRESS COVER 73/80/66 CKT MATES TO ANY MX123 HARN CONN ASSY SHOWN ON TABLE ABOVE



PAGE TITLE
COMPONENT TABLE

DRAWING NUMBER
12642695

DWG STATUS			PAGE NUMBER
ST	REV	PD1	
R	002		

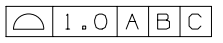
5 OF 21

NOTES: UNLESS OTHERWISE SPECIFIED

1. MATERIAL FOR INTERFACE:

- A. RESIN:
 - 1. 30% G.F. PBT; 20% MAX. (BY WEIGHT) REGRIND.
 - 2. MATING CONNECTOR INTERFACE PART COLOR MUST BE SAME AS MATCHING KEYED HARNESS CONNECTOR ASSEMBLY.
 - 3. MUST BE VALIDATED FOR INDIVIDUAL DEVICE APPLICATION REQUIREMENTS.
- B. 0.64MM PINS:
 - 1. BASE MATERIAL: COPPER ALLOY; CONDUCTIVITY >= 28% IACS AT 20°C; TENSILE STRENGTH >= 635 N/mm²; SURFACE ROUGHNESS R_a 6 MAX.
 - 2. PLATING FINISH: SILVER (Ag). PLATING TO BE 1.9-3.3 μm ELECTRODEPOSITED SEMI-BRIGHT SILVER OVER 1.25-2.25 μm DUCTILE SULPHAMATE NICKEL PER NOTE 1(D).
 - 3. ANTI-TARNISH: SYNTHETIC HYDROCARBON CONTACT SURFACE FINISH OR EQUIVALENT APPLIED WITHOUT VOID TO CONTACT AREA (MIN 3.7mm FROM PIN TIP).
- C. 2.8MM BLADE:
 - 1. BASE MATERIAL: COPPER ALLOY; CONDUCTIVITY >= 28% IACS AT 20°C; TENSILE STRENGTH >= 350 N/mm²; SURFACE ROUGHNESS R_a 6 MAX.
 - 2. PLATING FINISH: TIN. PLATING TO BE 2.5-5.0 μm ELECTRODEPOSITED TIN, MATTE FINISH OVER 1.25-2.5 μm DUCTILE SULPHAMATE NICKEL PER NOTE 1(D).
- D. PLATING REQUIREMENTS:
 - 1. SILVER PLATING
 - a. 99.5% PURE SEMI-BRIGHT WITH NO ORGANIC BRIGHTNERS OR CHROMATES.
 - 2. NICKEL PLATING
 - a. ELECTRODEPOSITED DUCTILE SULFAMATE NICKEL WITH A NON-BRIGHTENED FINISH. NO ORGANIC OR BRIGHTENING AGENTS SHALL BE ALLOWED.
 - b. SHALL ONLY BE USED AS AN UNDERLYING PLATING AND MAY NOT BE USED AS AN ELECTRICAL CONTACT SURFACE PLATING.
 - c. SHALL BE NODULE FREE WHEN VIEWED AT 10X MAGNIFICATION IN MEASURED IN CONTACT SURFACE AREA PLUS 0.5MM PERIMETER AROUND THE CONTACT SURFACE AREA.
 - d. ALL PLATINGS SHALL HAVE A 1.0% MAXIMUM BY WEIGHT IMPURITIES. IMPURITIES ARE DEFINED AS ALL ELEMENTS NOT THE PRIMARY PLATING OR HARDENING AGENT IF APPLICABLE, AS DETERMINED BY WET CHEMICAL ANALYSIS OR AUGER METHOD. NO SINGLE IMPURITY SHALL EXCEED 0.1% MAXIMUM BY WEIGHT.
 - 3. TESTING
 - a. THICKNESS TO BE MEASURED IN CONTACT SURFACE AREA PLUS 0.5MM PERIMETER AROUND THE CONTACT SURFACE AREA AS DESIGNATED IN THE DRAWING. THICKNESS SHALL BE DETERMINED BY METHOD OF X-RAY (XRF).
 - b. PLATING ADHESION SHALL BE TESTED BY A BEND TEST FOR ALL METALS. THE TEST SAMPLE SHALL BE BENT 90 DEGREES TO DETERMINE DEPOSIT ADHESION. TESTING SHALL BE COMPLETED IN ACCORDANCE WITH ASTM SPEC B571.


2. DESIGN - GENERAL:

- A. THIS IS A 100% CAD GENERATED PART. THE CAD MATHEMATICAL DATA IS THE MASTER FOR THIS PART. FOR DIMENSIONAL OR ANY INFORMATION NOT SHOWN ON THIS DRAWING, ANALYZE THE CAD MODEL.
- B. TOLERANCES:
 - 1. LINEAR
 - 0.X ± 0.30
 - 0.XX ± 0.10
 - 0.XXX ± 0.10
 - 2. ANGULAR X° ± 3°
 - 3. 
- C. MINIMUM WALL THICKNESS REQUIRED: 1.3mm.
- D. CORNERS SHOWN AS SHARP TO BE R 0.2 MAX.
- E. LETTERING SHALL BE 0.15 MAX RAISED IN 0.20 MAX RECESS PAD. THIS INCLUDES MATERIAL CODE, RECYCLING CODE, CAVITY ID AND DATE CODE.
- F-1. PARTS MUST BE FREE OF DISCOLORATION, SALT RESIDUE AND OTHER IMPERFECTIONS THAT AFFECT FIT OR FUNCTION.
- F-2. SCRATCHES OR DENTS NOT TO EXCEED 0.013mm IN DEPTH.
- G. FOLLOWING PRODUCTION CODES TO BE PERMANENTLY MARKED & HUMAN READABLE TO A LETTER HEIGHT OF 1.5 ± 0.5MM X 0.3 MAX DEEP
 - 1. MATERIAL #: XXXXX-XXXX
 - 2. DATE CODE: JJJY (JULIAN DAY, LAST DIGIT OF YEAR)
 - 3. INSPECTION MACHINE CODE + SERIAL #: X_XXXXX

3. DESIGN - MANUFACTURING:

- A. DRAFT TO BE WITHIN TOLERANCE.
- B. ALLOWABLE FLASH MAX 0.2 HIGH X MAX 0.13 THICK.
- C. ALLOWABLE PARTING LINE MISMATCH 0.2 MAX.
- D. EJECTOR PINS MARK TO BE FLUSH TO 0.25 MAX DEPRESSED.
- E. ALLOWABLE GATE VESTIGE FLUSH TO 0.25 MAX PROTRUSION.
- F. NO EXTERNAL MOLD RELEASE AGENT ALLOWED DURING MANUFACTURING.
- G. STEEL THAT FORMS THE INDICATED SURFACE MUST BE POLISHED WITH A DIAMOND FINISH (SPI A-2) OVER THE FULL PERIPHERY OF THE TOOL. SURFACE MUST HAVE NO MISMATCH.
- H. ANY PROCESS LUBRICANT REMAINING ON THE TERMINAL MUST NOT VARNISH OR DEGRADE IT'S ELECTRICAL PERFORMANCE UP TO A MAXIMUM CLASS AMBIENT TEMPERATURE PER SAE USCAR-2 FOR 1008 HOURS. PROCESS LUBRICANTS SHOULD BE APPROVED BY THE RESPONSIBLE ENGINEER.
- J. OPTIONAL FEATURES PROVIDED FOR AUTOMATION.
- K. PART MUST BE FREE FROM BURRS AND SHARP EDGES, WHICH MIGHT BE DETRIMENTAL TO SATISFACTORY ASSEMBLY, SAFE HANDLING OR FUNCTION OF PART.
- L. PARTS AS DELIVERED TO ASSEMBLY SHALL BE CLEAN AND FREE OF DEBRIS, RESIDUAL ABRASIVE MATERIAL AND CORROSION PRODUCTS ADVERESLY AFFECTING FUNCTION OR APPEARENCE.
- M. RESTRICTED AND REPORTABLE SUBSTANCES FOR PARTS PER GMW3059.

002C

	PAGE TITLE	DRAWING NUMBER	DWG STATUS			PAGE NUMBER	
	NOTES		12642695	ST	REV	PDI	6 OF 21
				R	002		

NOTES: UNLESS OTHERWISE SPECIFIED

4. SYSTEM REQUIREMENTS:

A. HARNESS CONNECTOR IS COMPATIBLE WITH THE FOLLOWING SAE WIRE SIZE NO'S:

- 14, MEETING SAE J1128
- 18, MEETING SAE J1128, MAX O.D. OF 2.06 MM
- 20, MEETING SAE J1128
- 22, MEETING SAE J1128, MIN O.D. OF 1.47 MM

B. CABLE TIE SPECIFICATIONS:

- 1. CABLE TIE:
 - TENSILE RATING: 220N / (50lbs) MIN
 - TIE LENGTH: 186mm MIN
 - TIE WIDTH: 4.75mm MAX
 - MATERIAL: NYLON
- 2. INSTALLATION:
 - CABLE TIE TENSION: 190N MIN
- 3. DRESSED WIRE BUNDLE PACKAGING: SEE FIG. 1

C. WHEN MATED WITH COMPONENT CONNECTOR INTERFACE AND/OR DRESS COVER, HARNESS CONNECTOR SYSTEM CONFORMS TO THE FOLLOWING:

- 1. SAE/USCAR-2, REV: 3 APRIL, 2001; CLASS 3
- 2. FIELD CORRELATED LIFE TEST, SAE/USCAR-20, NOV. 2001
- 3. GMW #3191 AUGUST 22, 2000 (DRAFT); TEMPERATURE CLASS 3, SEALING CLASS 1, VIBRATION CLASS 2
- 4. RESTRICTED AND REPORTABLE CHEMICALS PER GMW #3059, REV: D AUGUST 2002
- 5. TPA USER FORCES (FULLY POPULATED WITH TERMINALS)
 - a. REMOVAL FROM LOCK TO PRE-SET: <=120N

D. WIRE SPECIFICATIONS:

- 1. WIRE SURFACE MUST BE FREE OF SCRATCHES, GROOVES OR DENTS WHERE FUNCTIONAL

5. TERMINAL CURRENT RATINGS:

ALL TESTING DONE IN ACCORDANCE WITH USCAR-2 REV5 SECTION 5.3

A. MX64 RCPT TERM

- 1. MX64 RCPT TERM Ag 18/20 GAGE CRIMPED TO SAE WIRE SIZE NO.18 AND MATED TO MX123 0.64MM PIN: 11.3 AMPS
- 2. MX64 RCPT TERM Ag 22 GAGE CRIMPED TO SAE WIRE SIZE NO.22 AND MATED TO MX123 0.64MM PIN:8.5 AMPS

WIRE	CURRENT RATING			
	23°C	85°C	105°C	125°C
18AWG	11.3A	11.3A	9.5A	6.6A
20AWG	10.0A	10.0A	8.3A	5.7A
22AWG	8.6A	8.6A	7.1A	5.0A

B. 2.8MM RCPT TERM

- 1. 2.8MM RCPT TERM TIN 14 GAGE CRIMPED TO SAE WIRE SIZE NO.14 AND MATED TO MX123 2.8MM BLADE: 25.6 AMPS

6. CONTACT MOLEX AUTOMOTIVE FOR AVAILABLE CUSTOM PATTERNS OF CAVITIES OPEN FOR CIRCUITS



PAGE TITLE
NOTES

DRAWING NUMBER

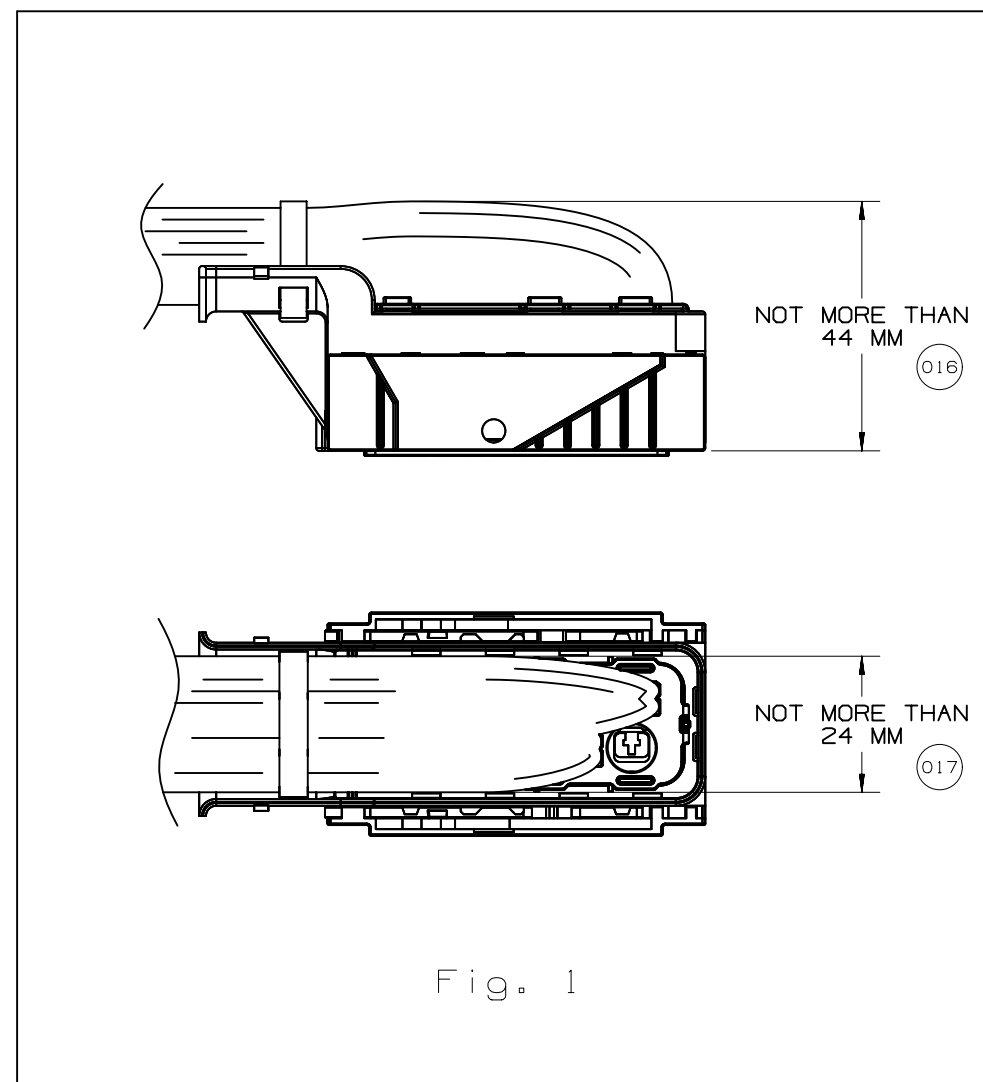
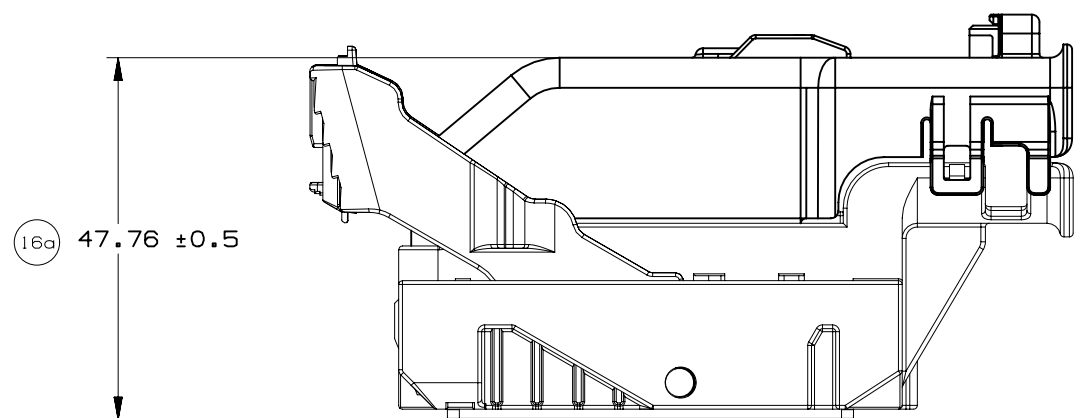
12642695

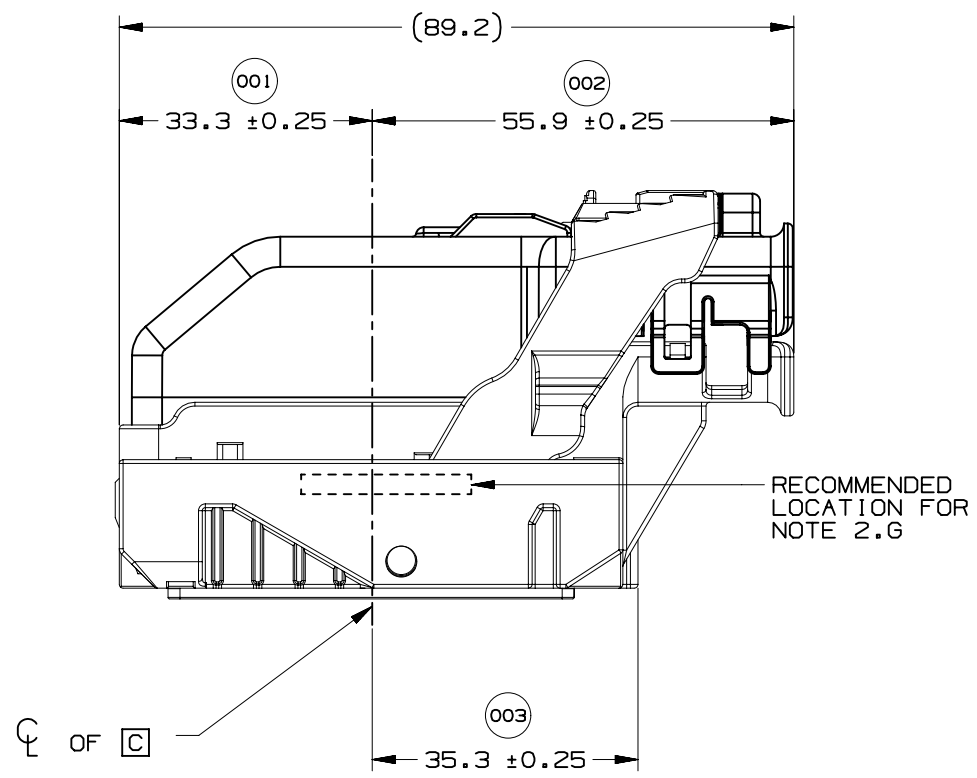
DWG STATUS

ST	REV	PDI
R	002	

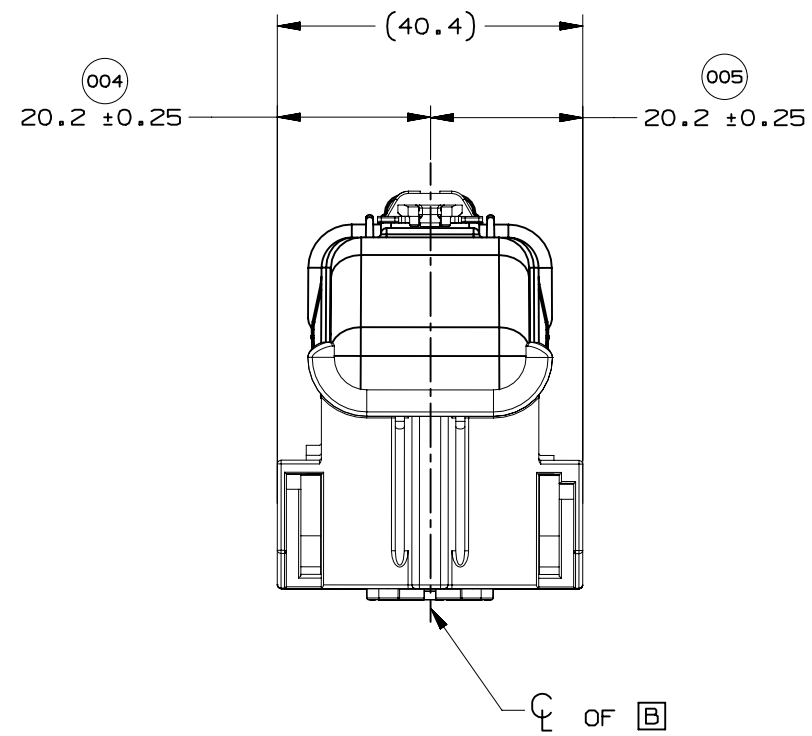
PAGE NUMBER

7 OF 21

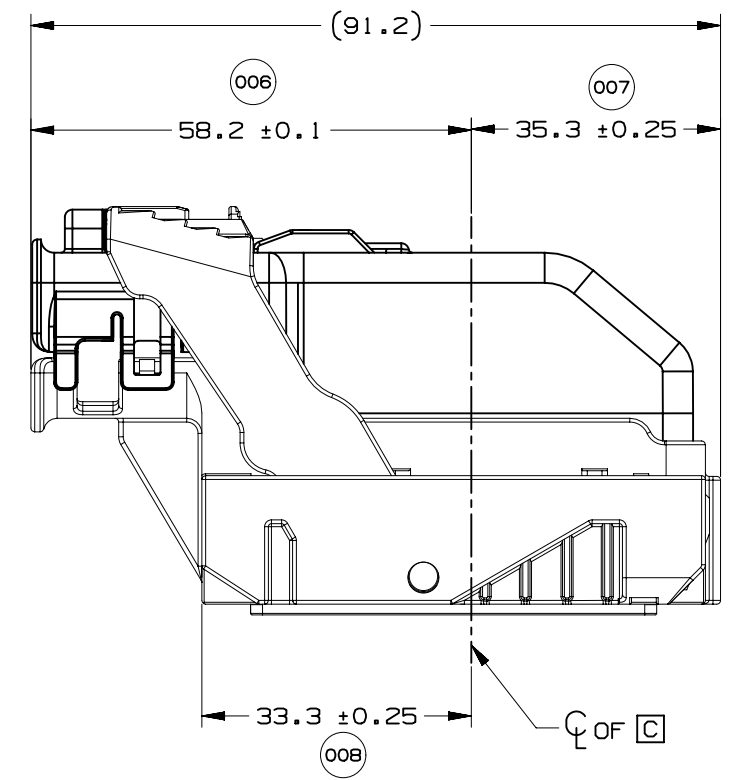




WIRE DRESS OPTION 0 SHOWN

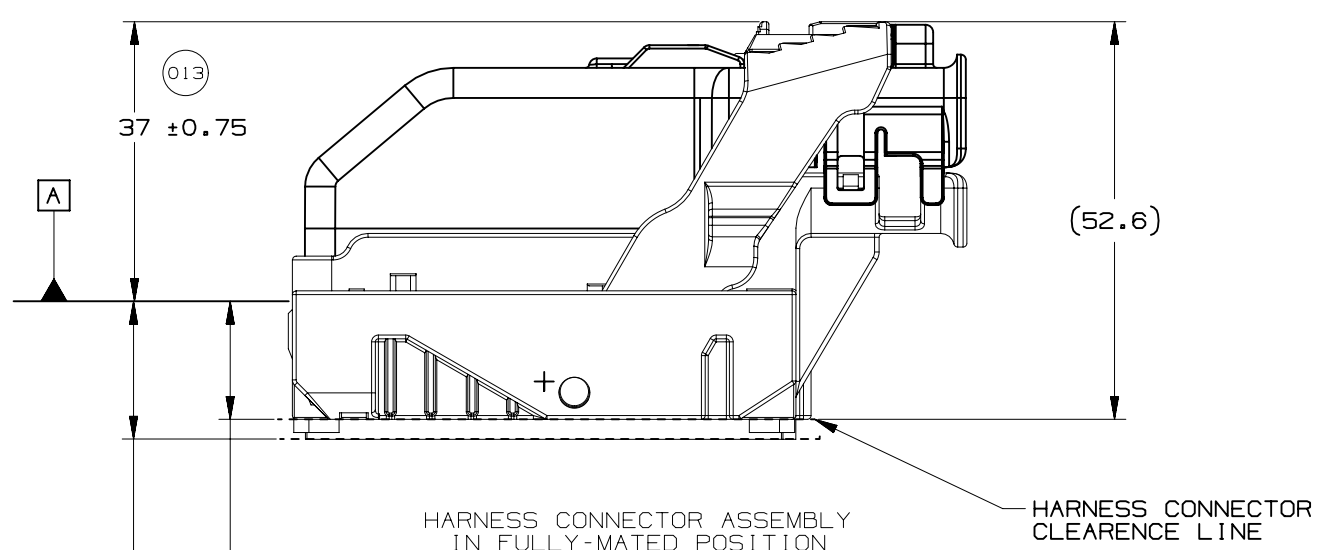
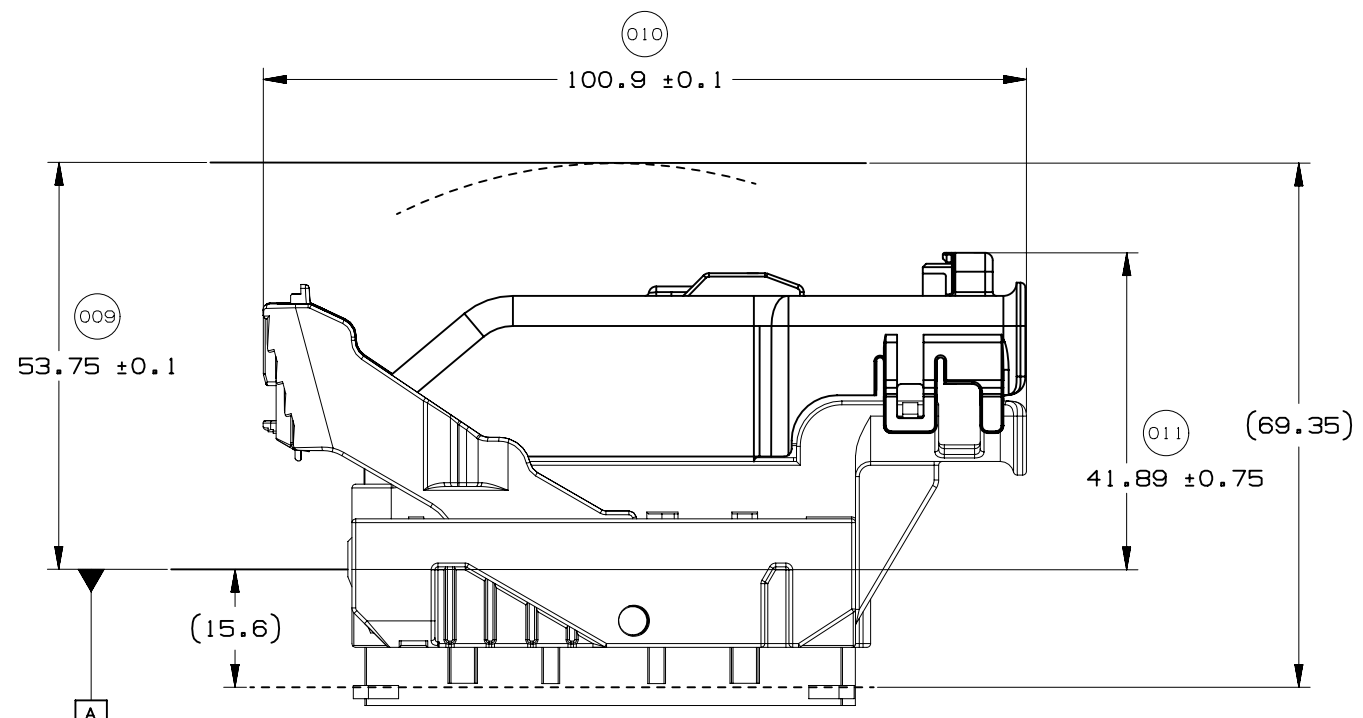
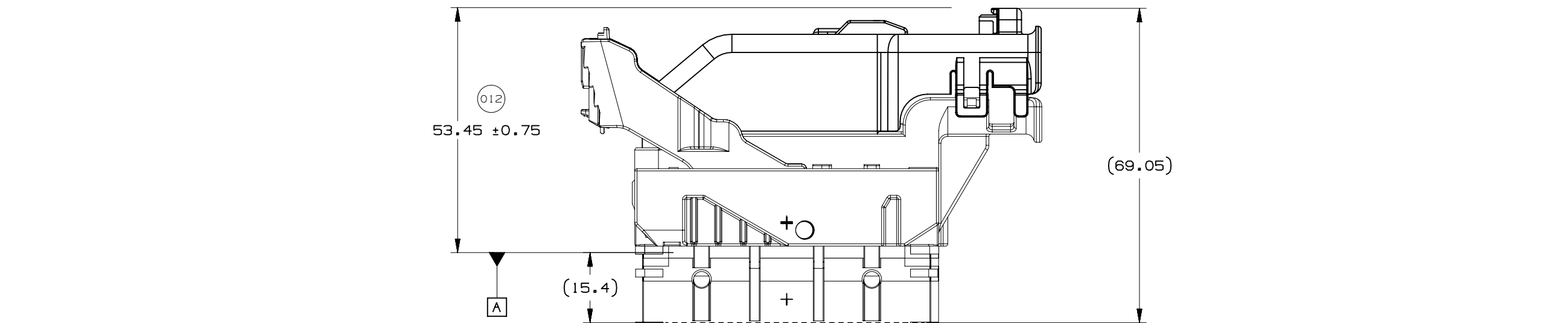


WIRE DRESS OPTION 0 SHOWN



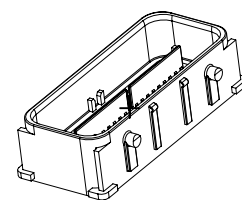
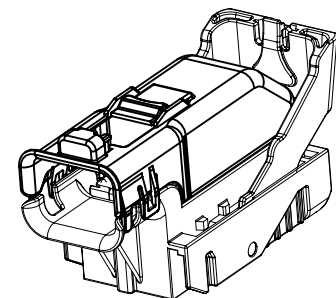
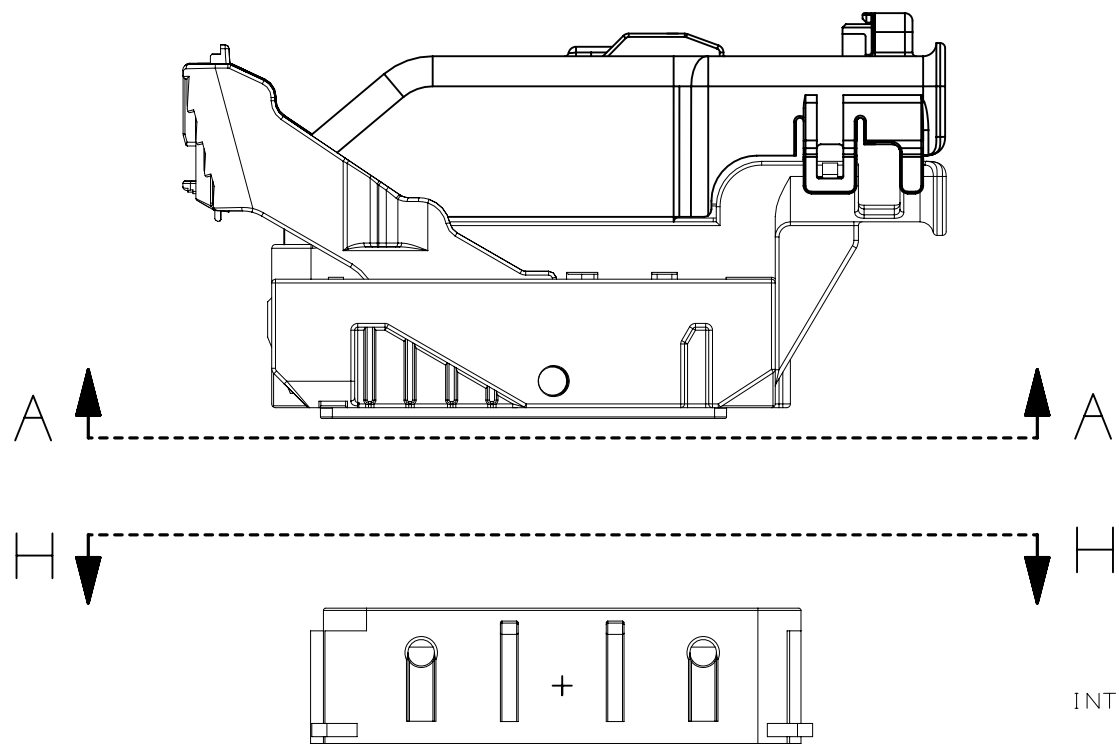
WIRE DRESS OPTION 9 SHOWN





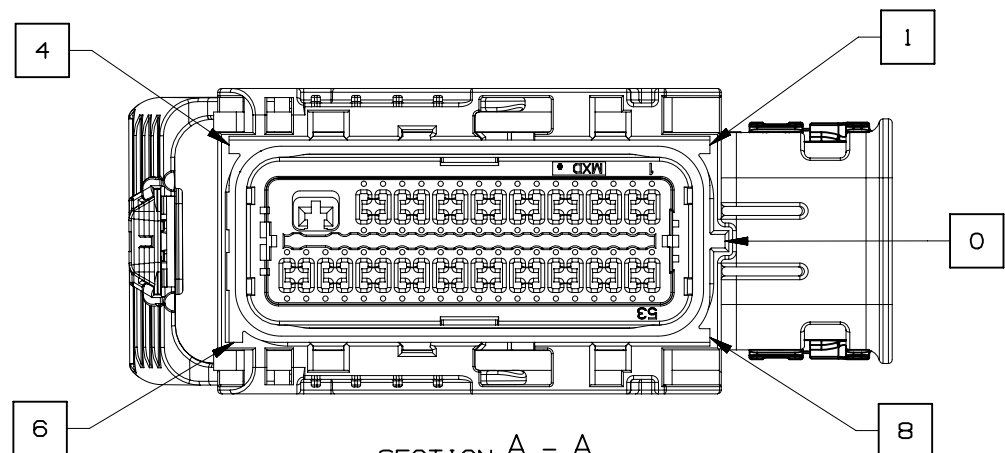
014 ALL AROUND CLEARANCE REQUIRED FOR HARNESS CONNECTOR

015 17.9 MIN. AT PAD LOCATION CLEARANCE REQUIRED FOR HARNESS CONNECTOR CONSTRUCTION BELOW THIS PLANE IS NOT CONTROLLED

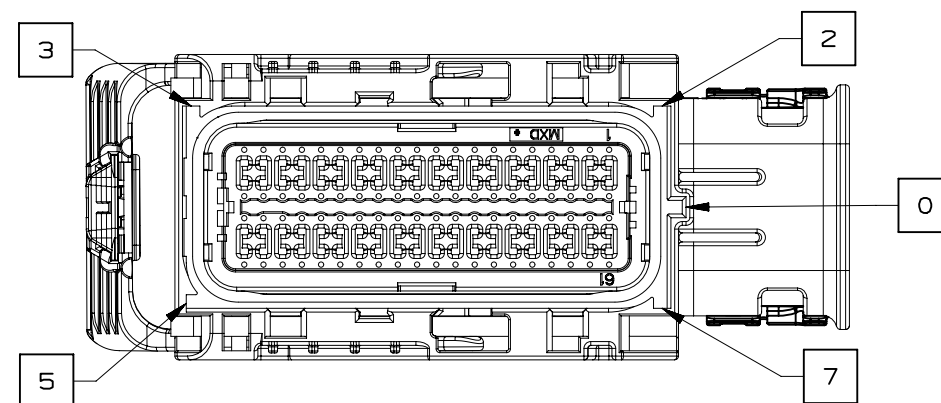


NOTE: REFERENCE THE COMPONENT TABLE FOR KEY OPTIONS AND CONFIGURATIONS

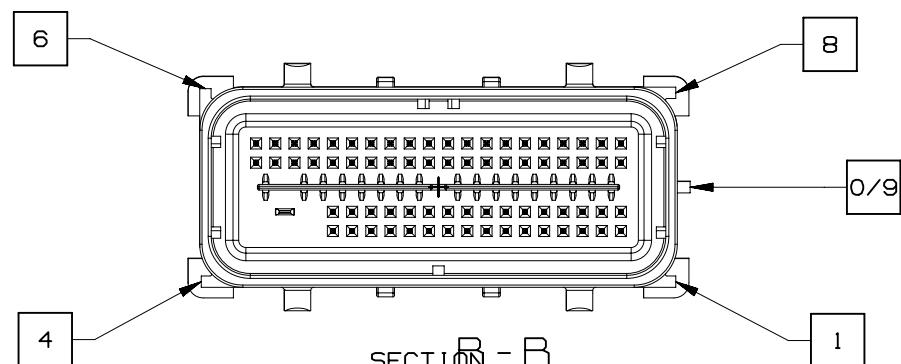
INTERFACE SIDE SHOWN ON ALL SECTION VIEWS



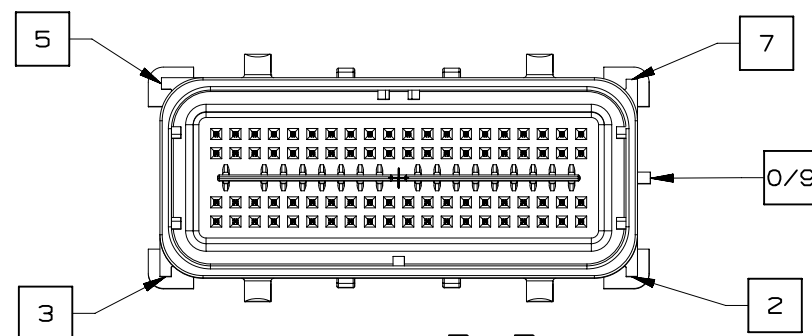
SECTION A - A
KEY OPTION B SHOWN



SECTION A - A
KEY OPTION K SHOWN



SECTION B - B
KEY OPTION B SHOWN



SECTION B - B
KEY OPTION K SHOWN

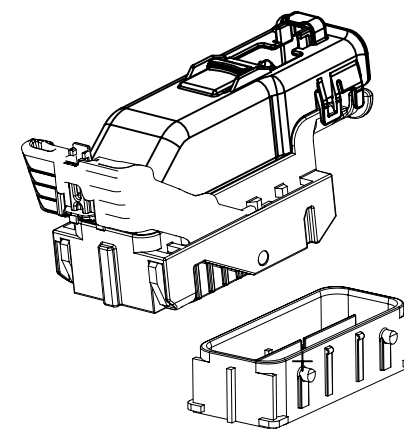
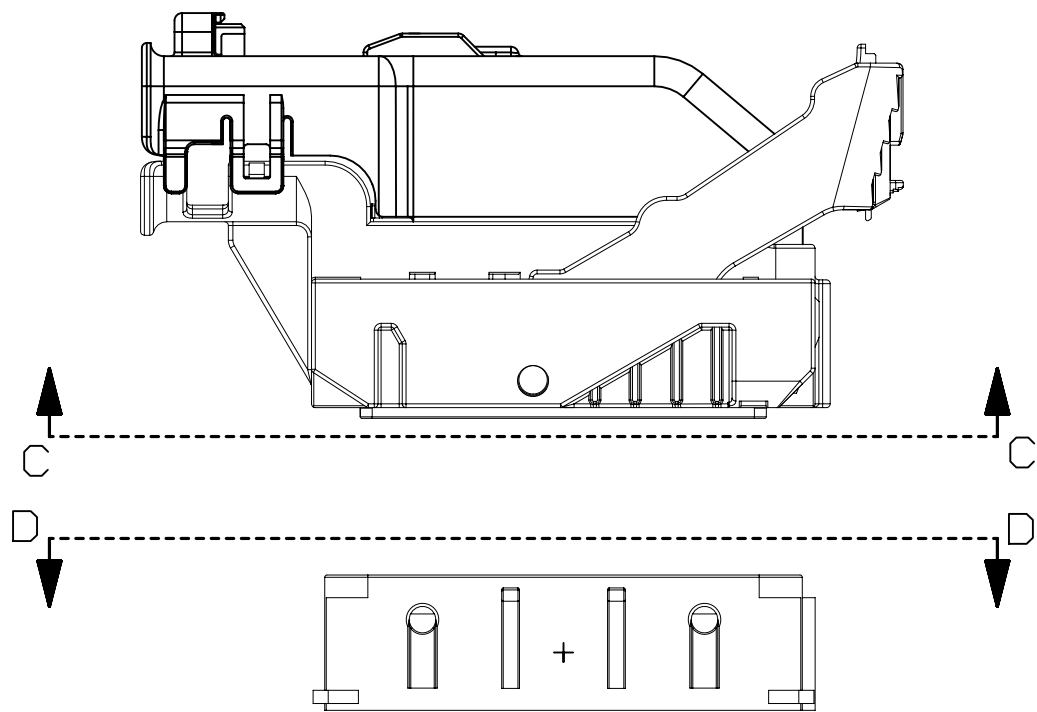


PAGE TITLE
KEY ID REF - WIRE DRESS OPTION 0

DRAWING NUMBER
12642695

DWG STATUS		
ST	REV	PD1
R	002	

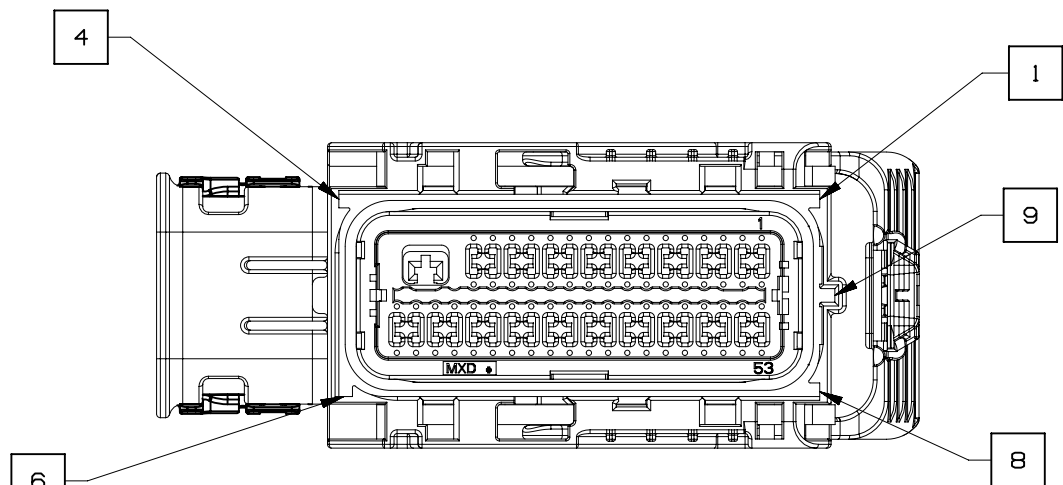
PAGE NUMBER
11 OF 21



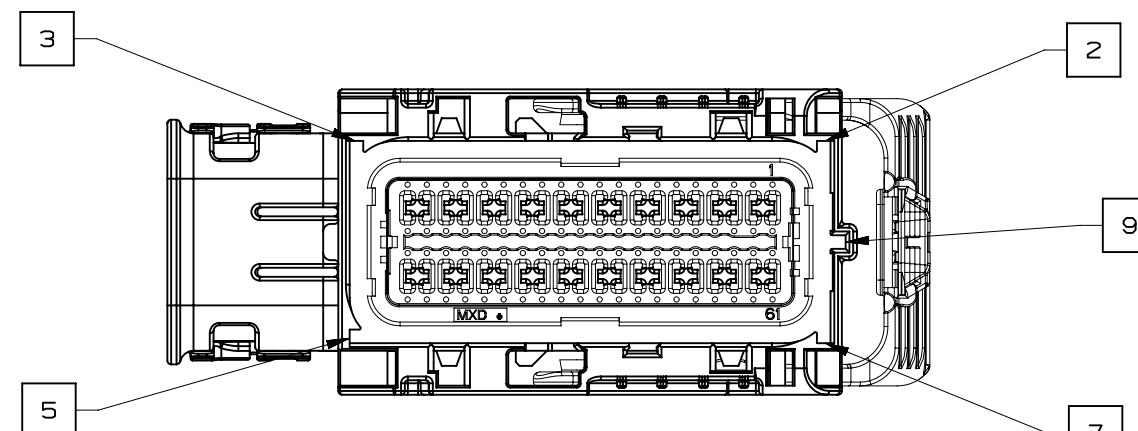
NOTE: REFERENCE THE COMPONENT TABLE FOR KEY OPTIONS AND CONFIGURATIONS

VIEW V

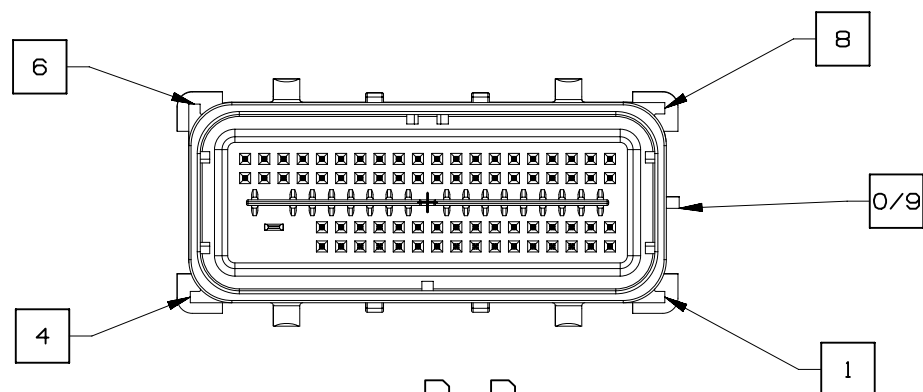
INTERFACE SIDE SHOWN ON ALL SECTION VIEWS



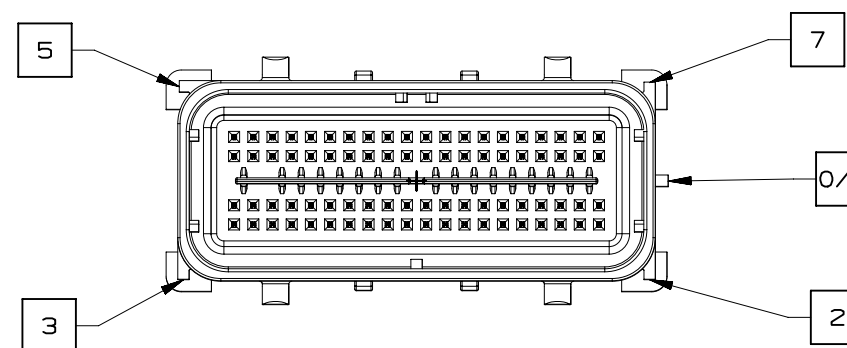
SECTION C-C
KEY OPTION B SHOWN



SECTION C-C
KEY OPTION K SHOWN



SECTION D-D
KEY OPTION B SHOWN



SECTION D-D
KEY OPTION K SHOWN

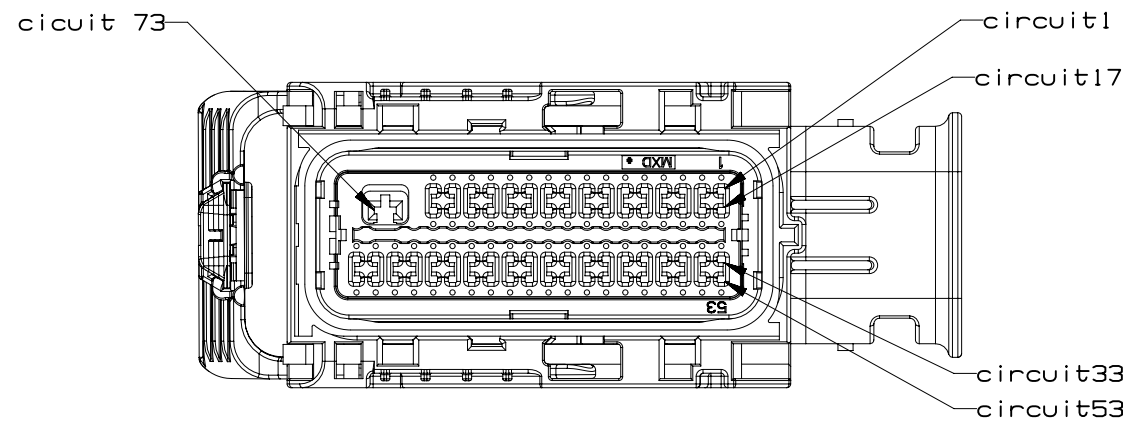


PAGE TITLE
KEY ID REF - WIRE DRESS OPTION 9

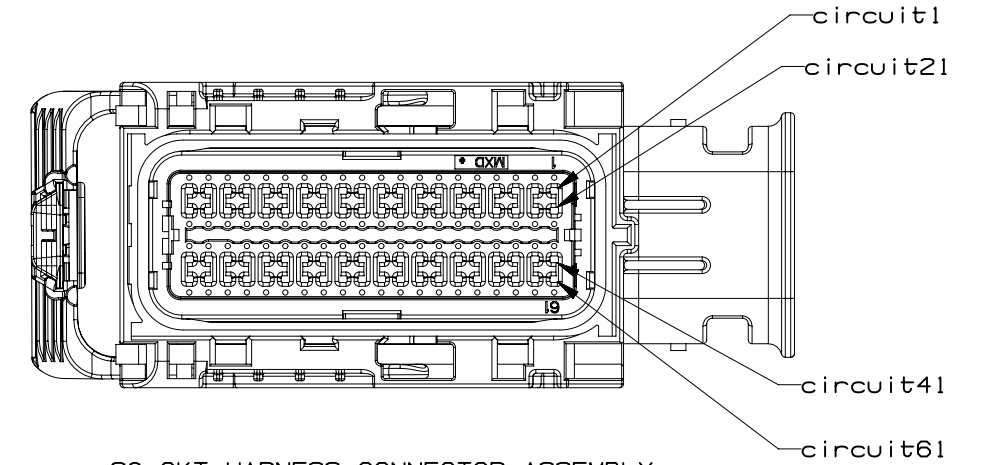
DRAWING NUMBER
12642695

DWG STATUS		
ST	REV	PD1
R	002	

PAGE NUMBER
12 OF 21

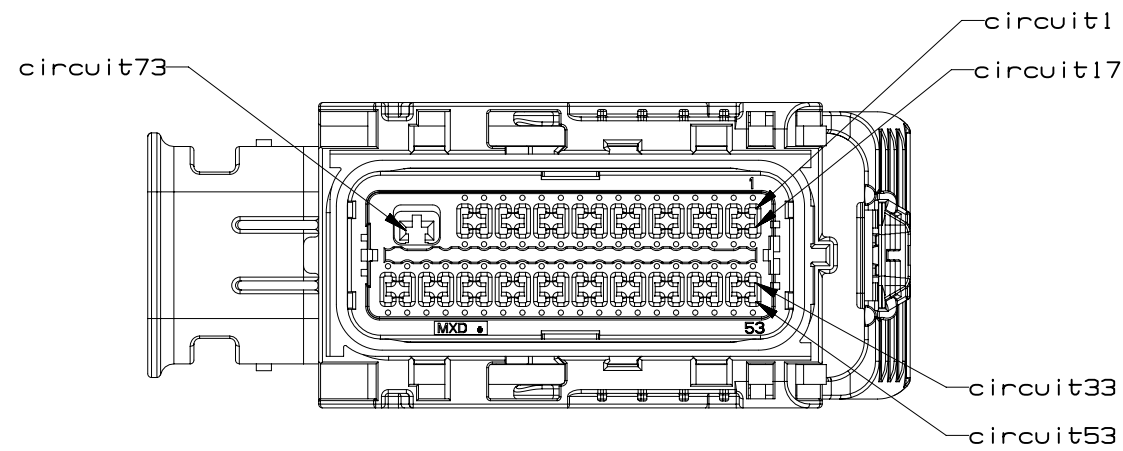


73 CKT HARNESS CONNECTOR ASSEMBLY
WIRE DRESS OPTION 0

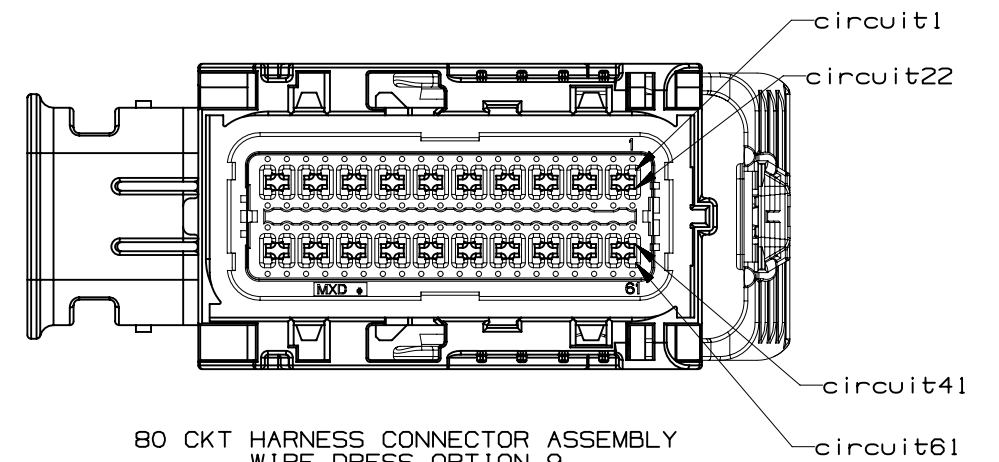


80 CKT HARNESS CONNECTOR ASSEMBLY
WIRE DRESS OPTION 0

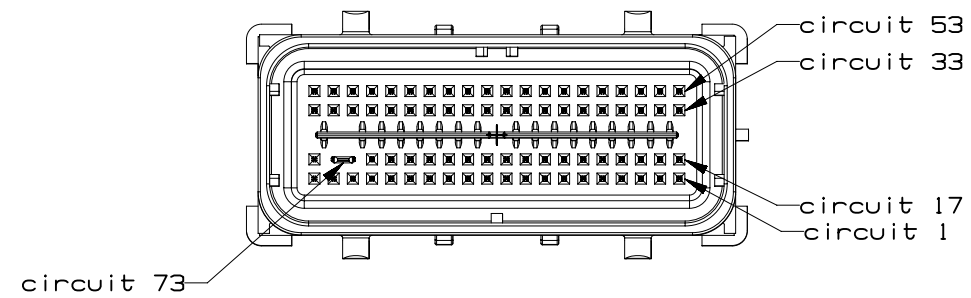
INTERFACE SIDE SHOWN ON ALL VIEWS



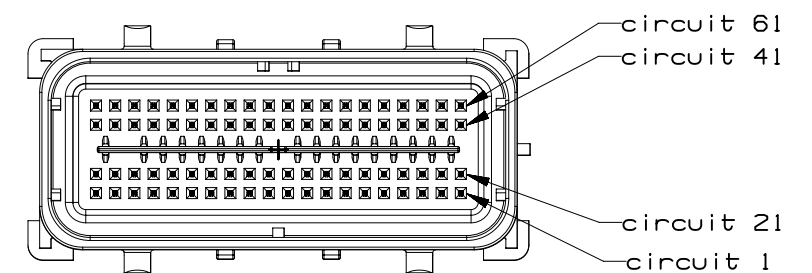
73 CKT HARNESS CONNECTOR ASSEMBLY
WIRE DRESS OPTION 9



80 CKT HARNESS CONNECTOR ASSEMBLY
WIRE DRESS OPTION 9

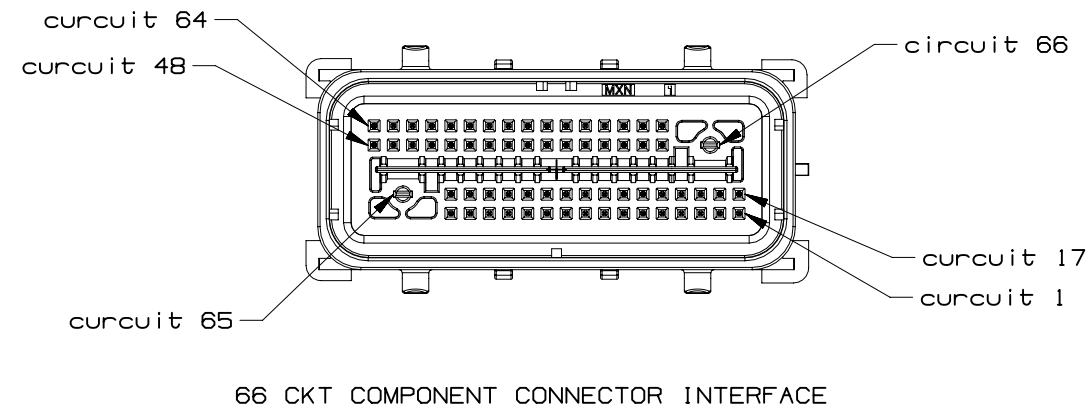
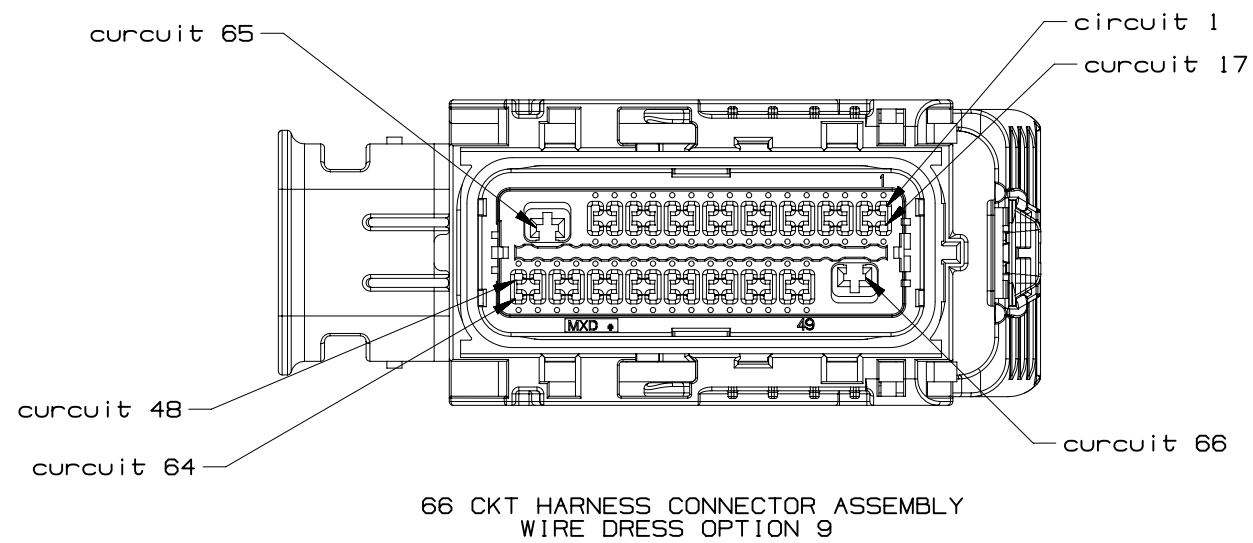
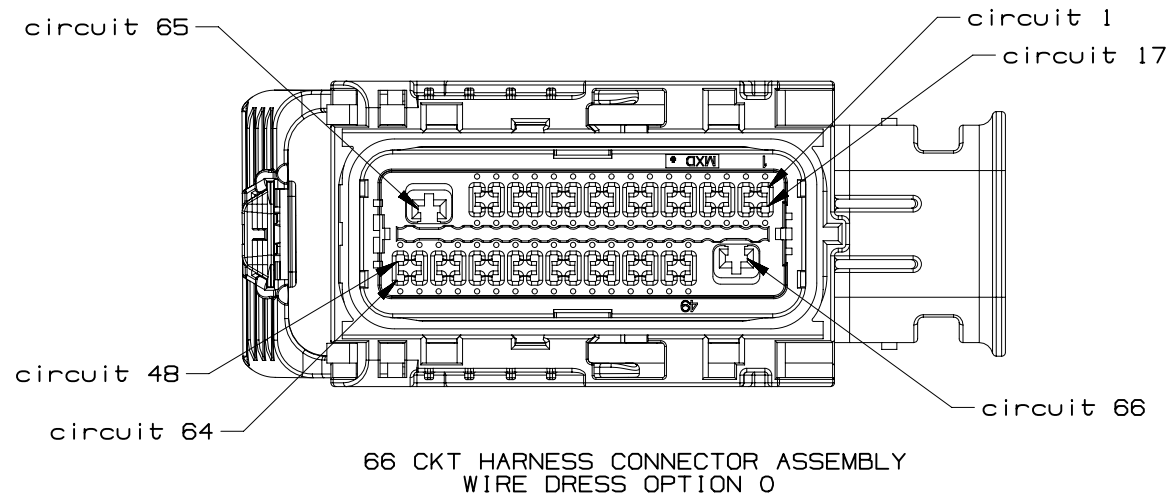


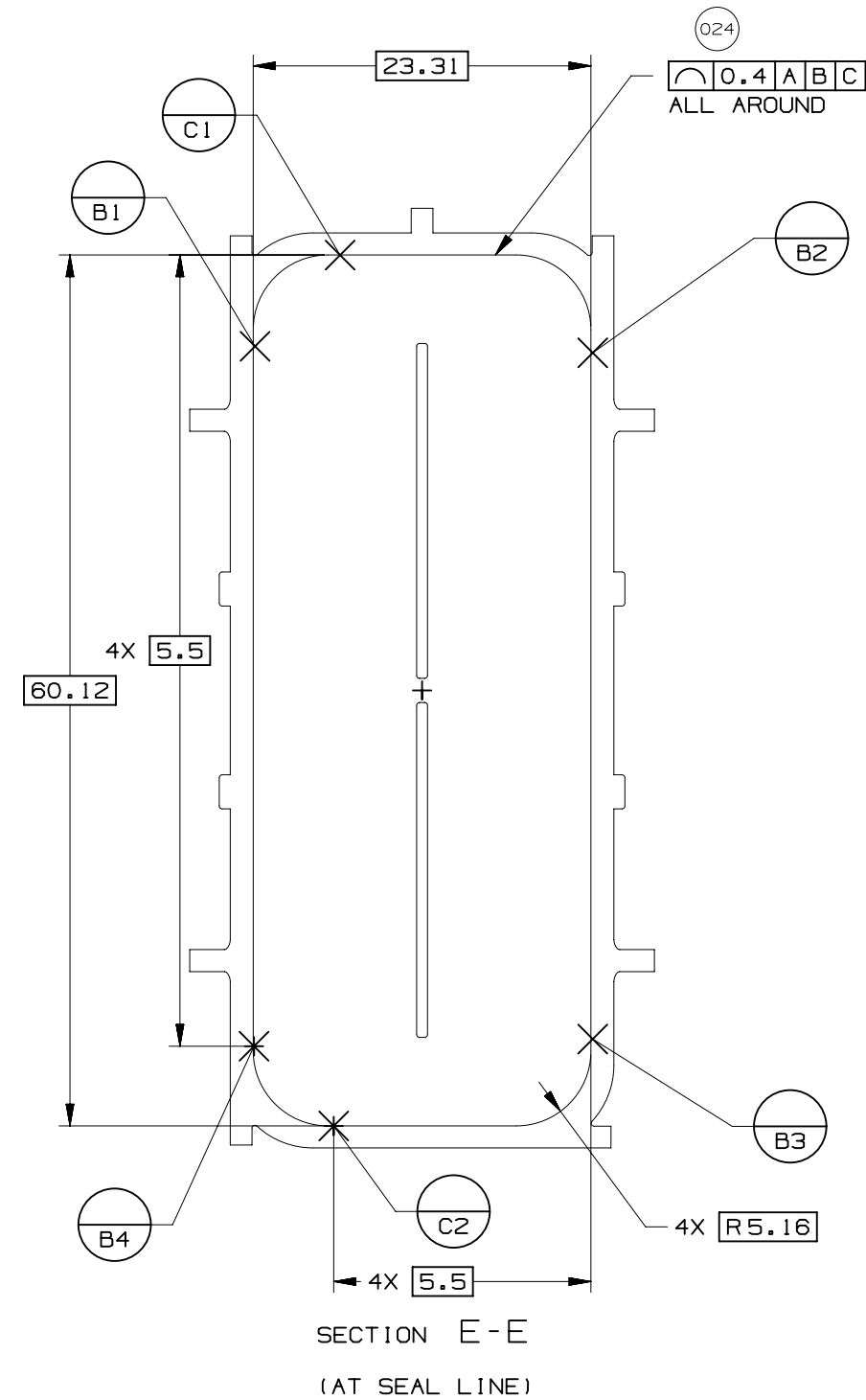
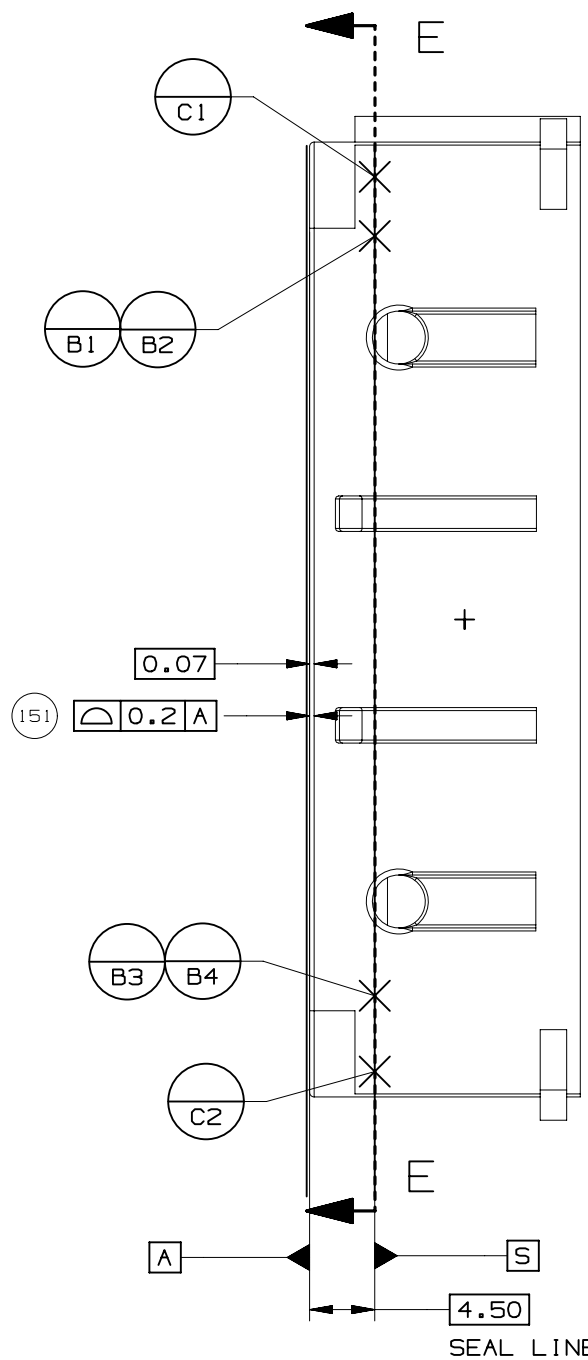
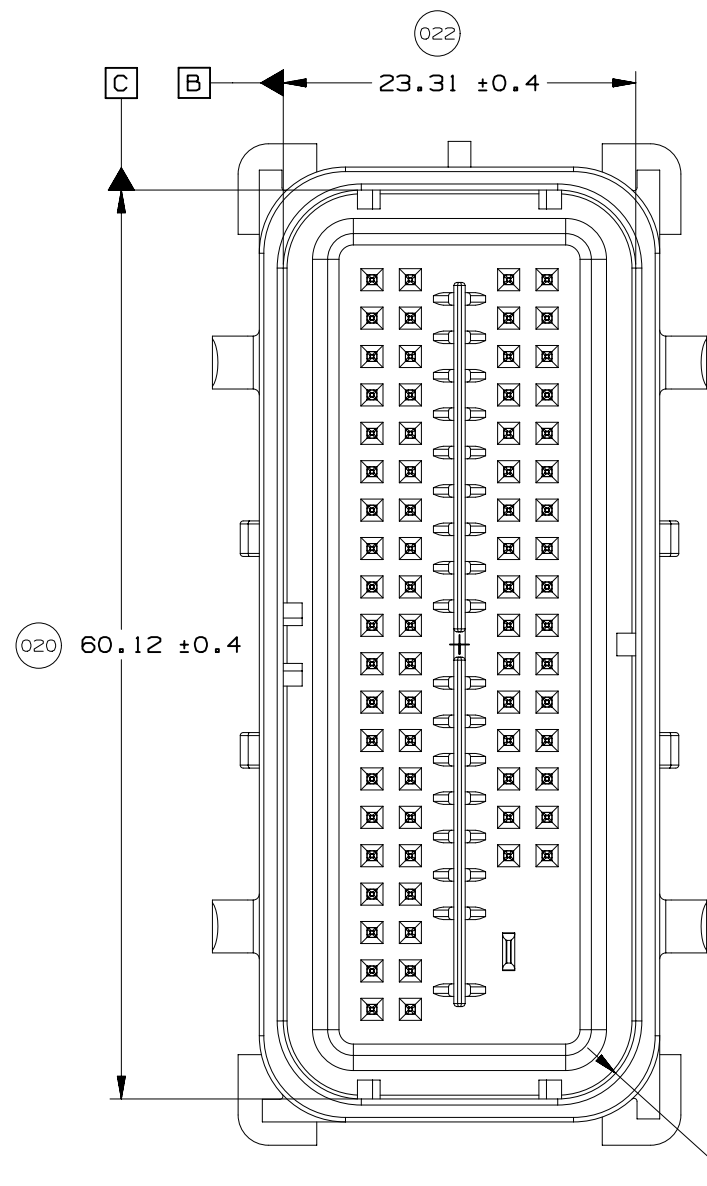
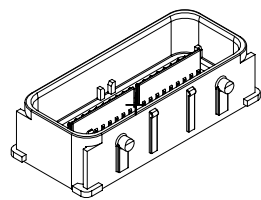
73 CKT COMPONENT CONNECTOR INTERFACE



80 CKT COMPONENT CONNECTOR INTERFACE







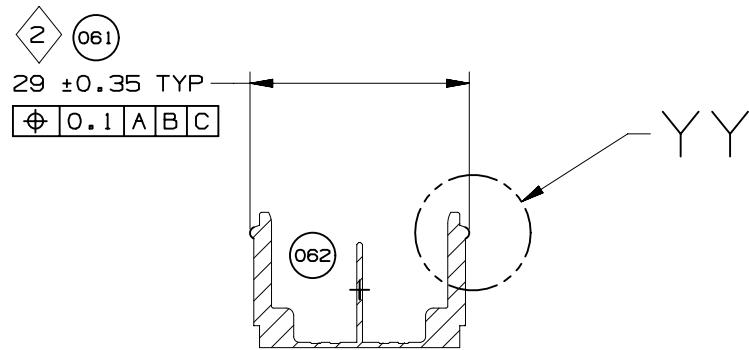
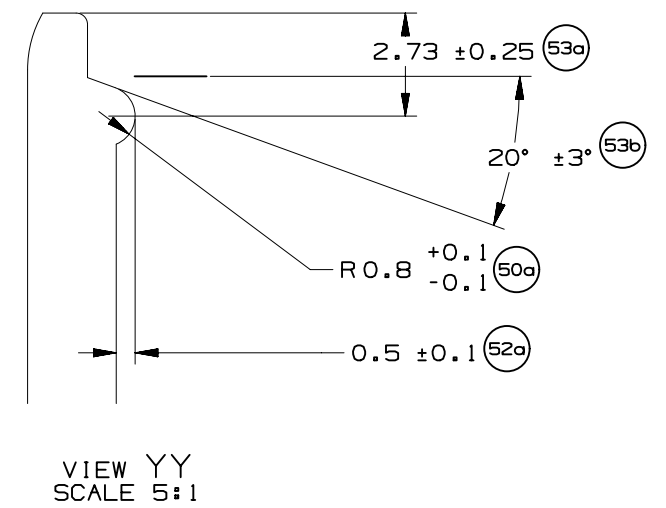
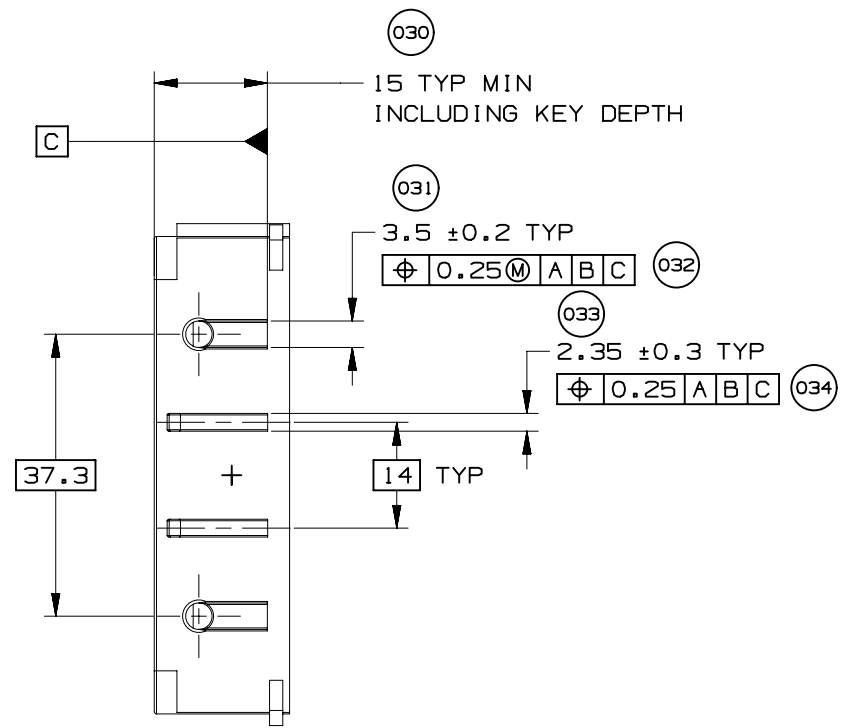
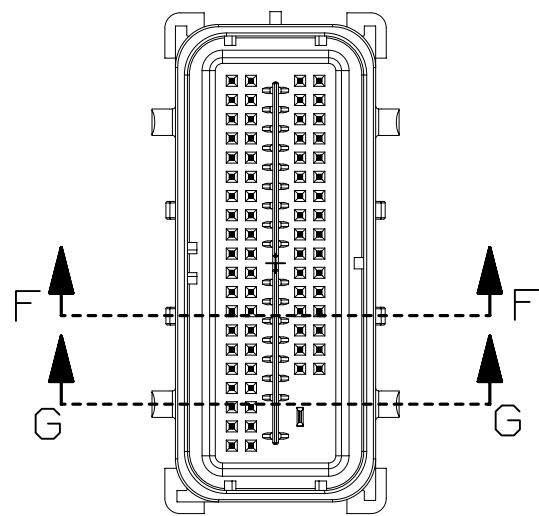
UNLESS SPECIFIED, TOLERANCE OF THE COMPONENT CONNECTOR INTERFACE TO BE $\sqrt[0.13]{A B C}$



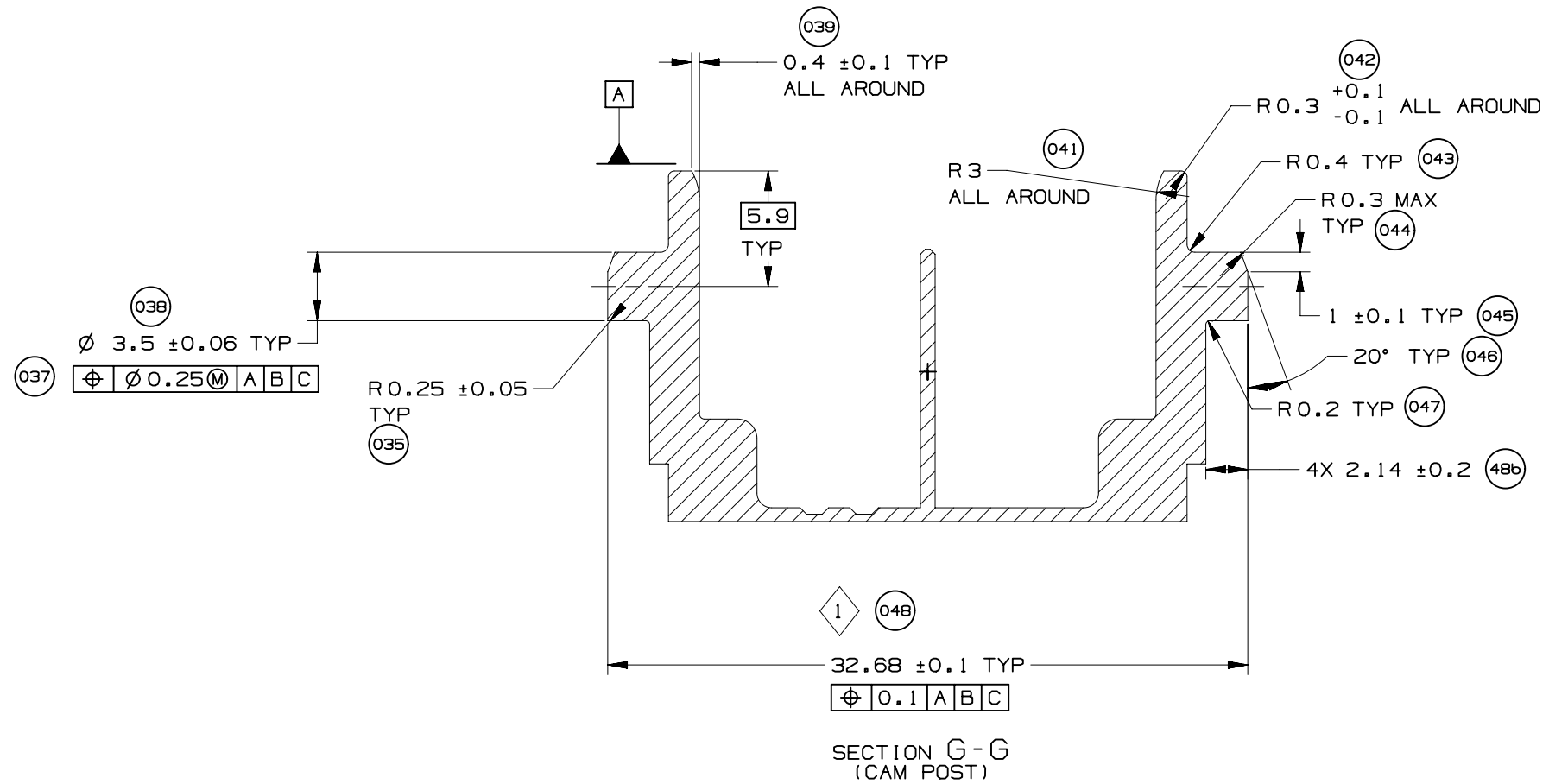
PAGE TITLE
COMPONENT CONNECTOR INTERFACE

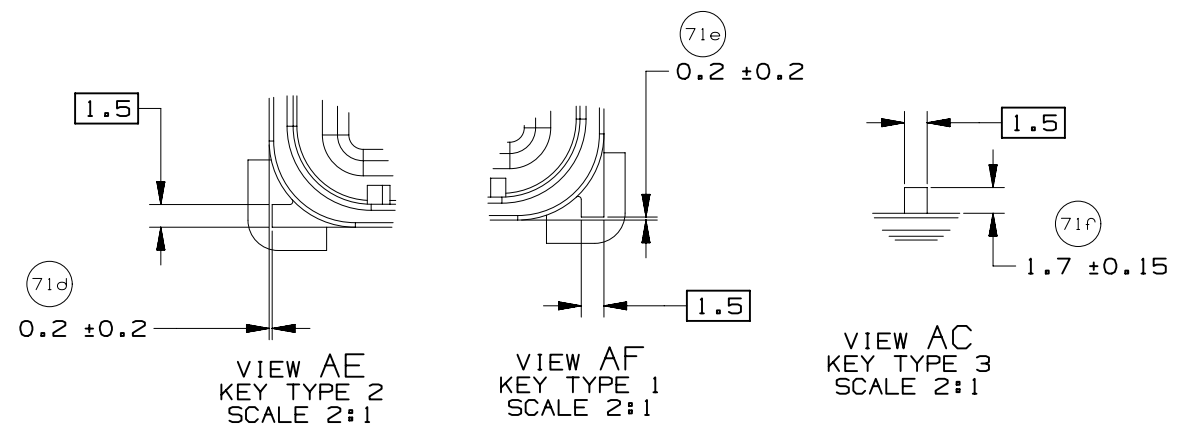
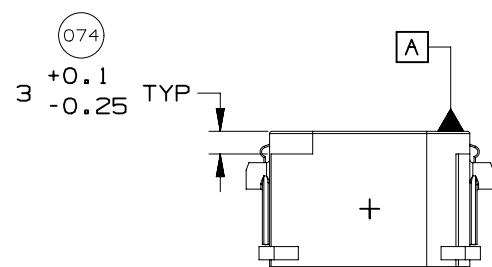
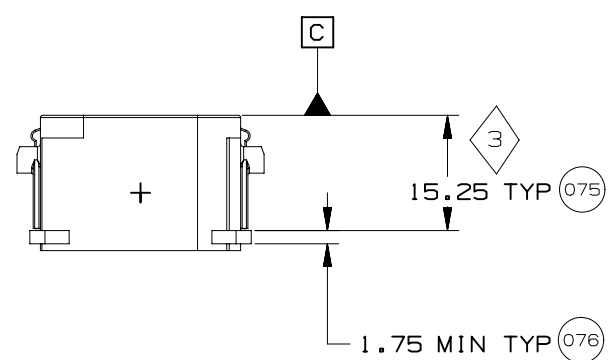
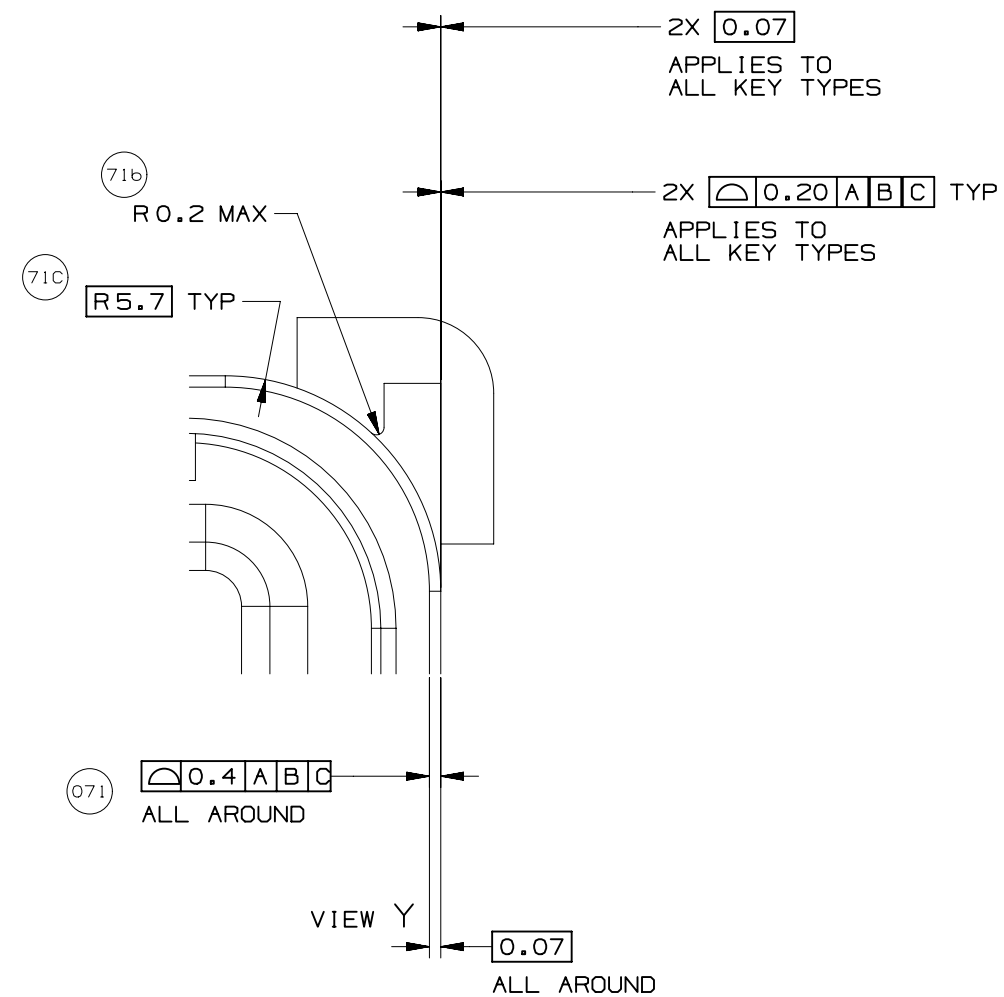
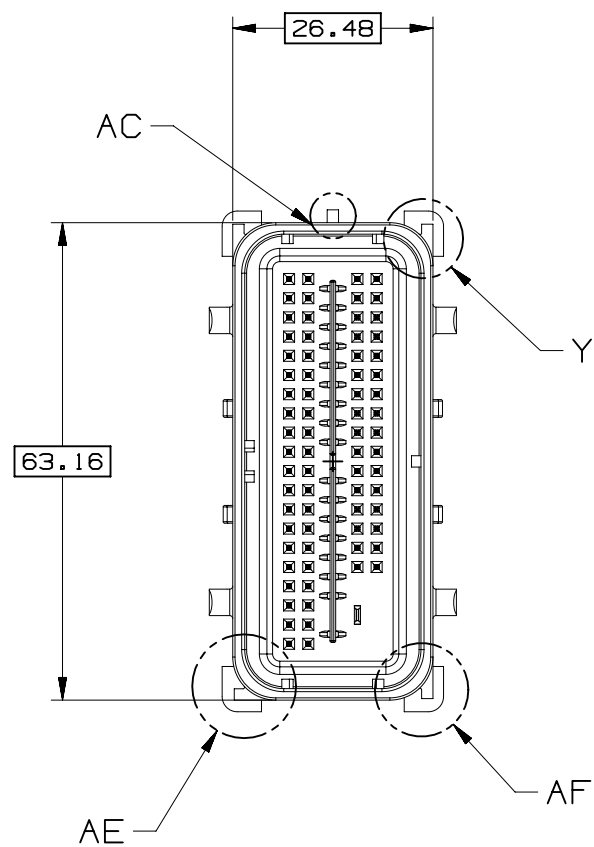
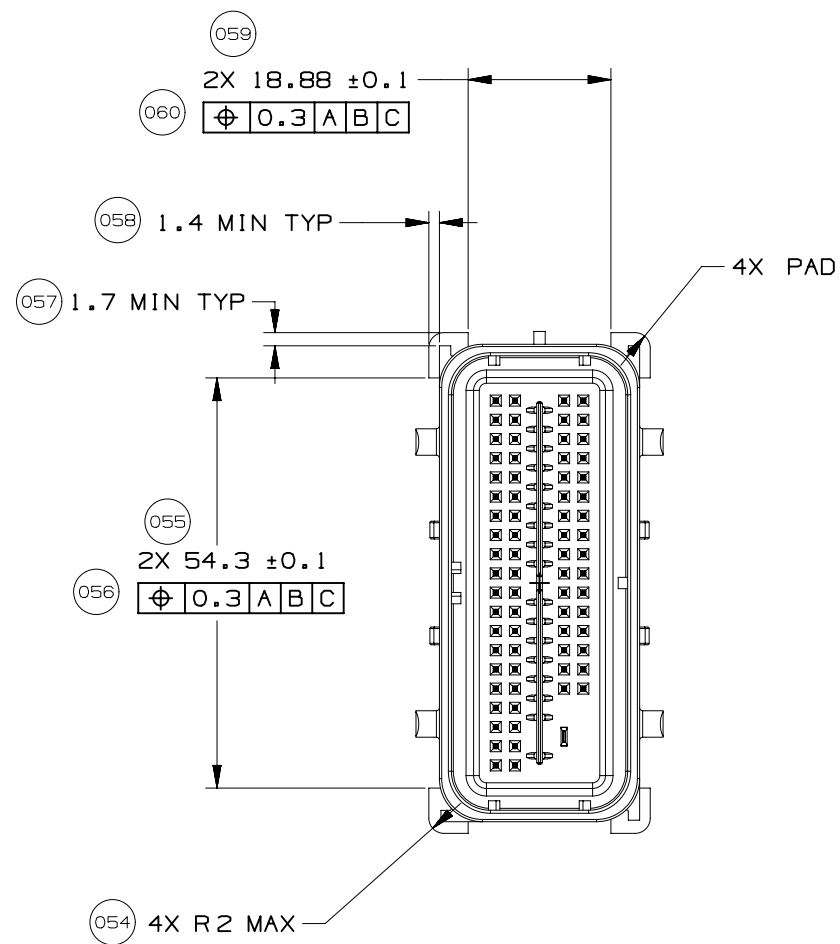
DRAWING NUMBER
12642695

DWG STATUS			PAGE NUMBER
ST	REV	PD1	
R	002		15 OF 21



SECTION F-F

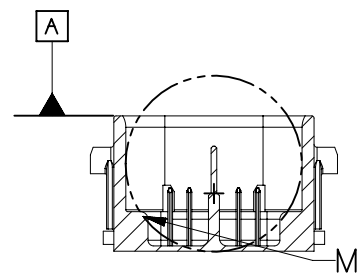
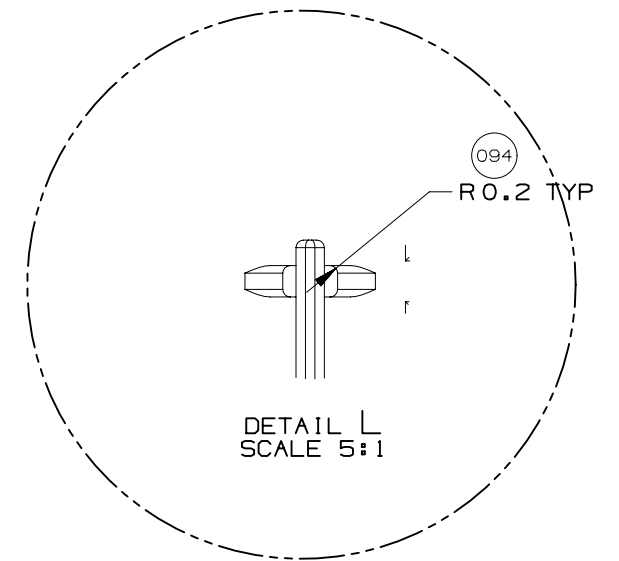
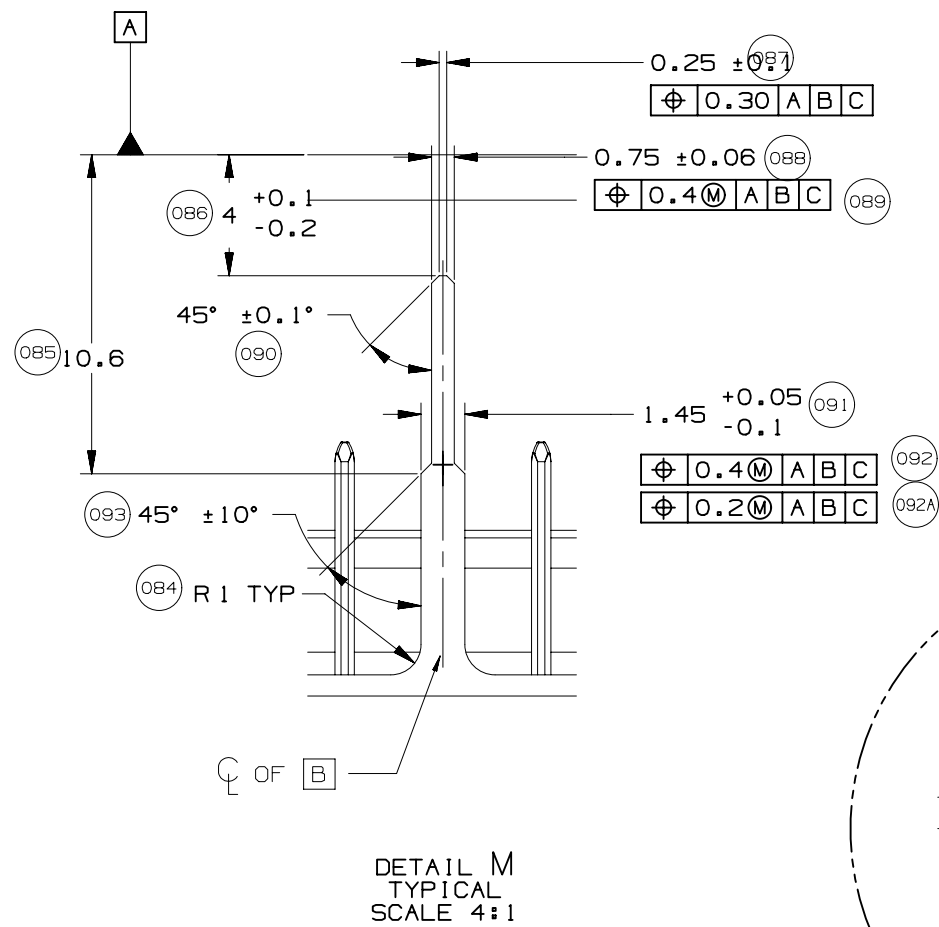
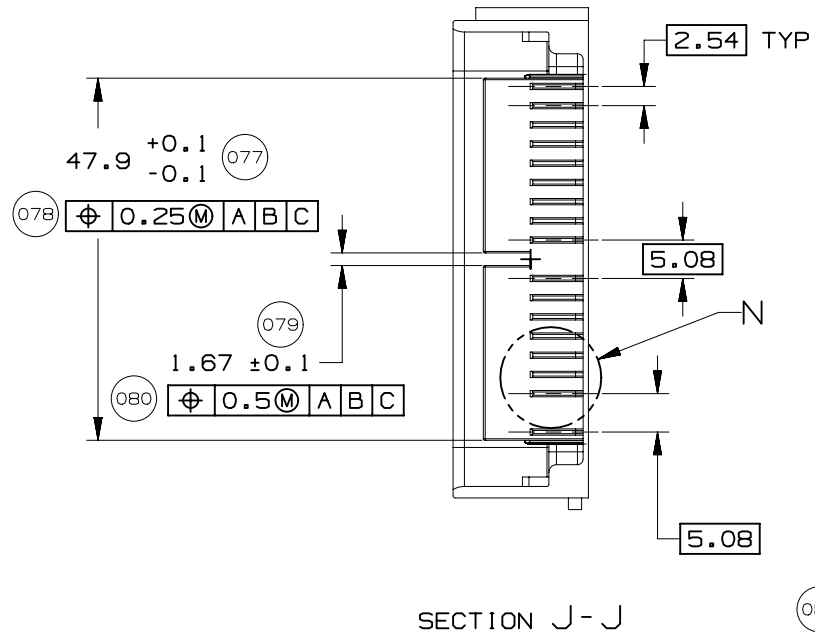
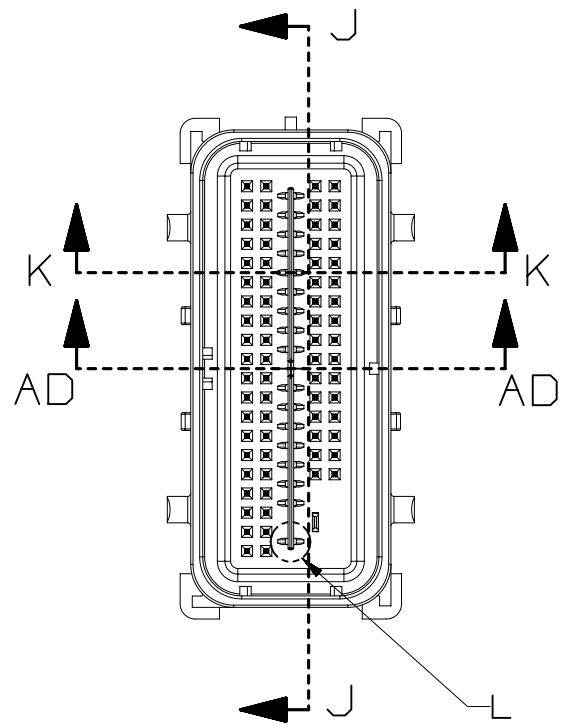




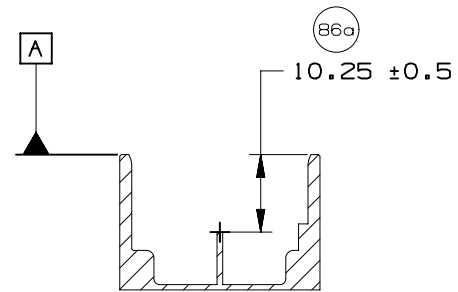
PAGE TITLE
 COMPONENT CONNECTOR INTERFACE

DRAWING NUMBER
 12642695

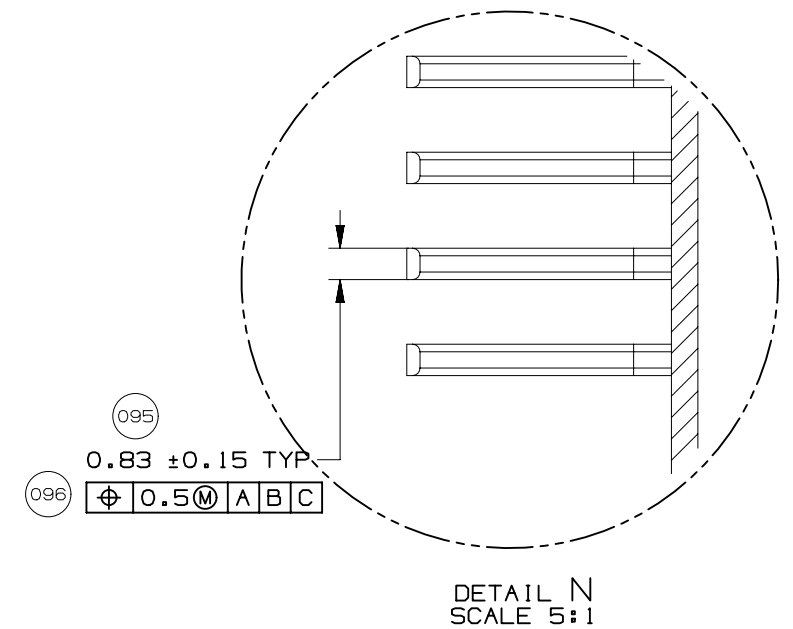
DWG STATUS			PAGE NUMBER
ST	REV	PD1	
R	002		17 OF 21



SECTION K-K

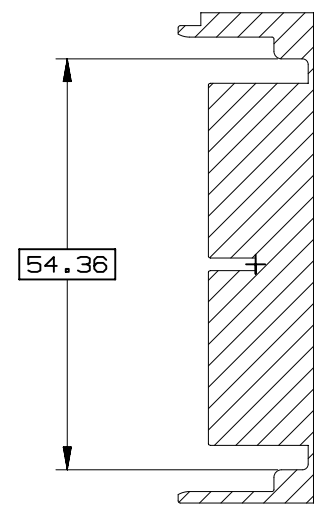
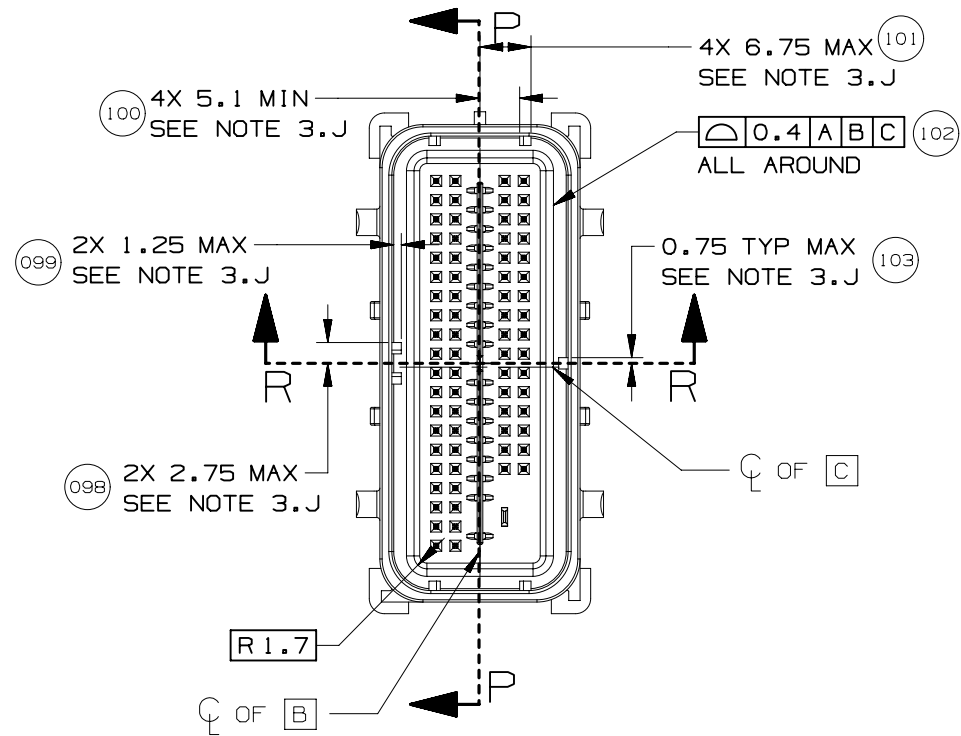


SECTION AD-AD

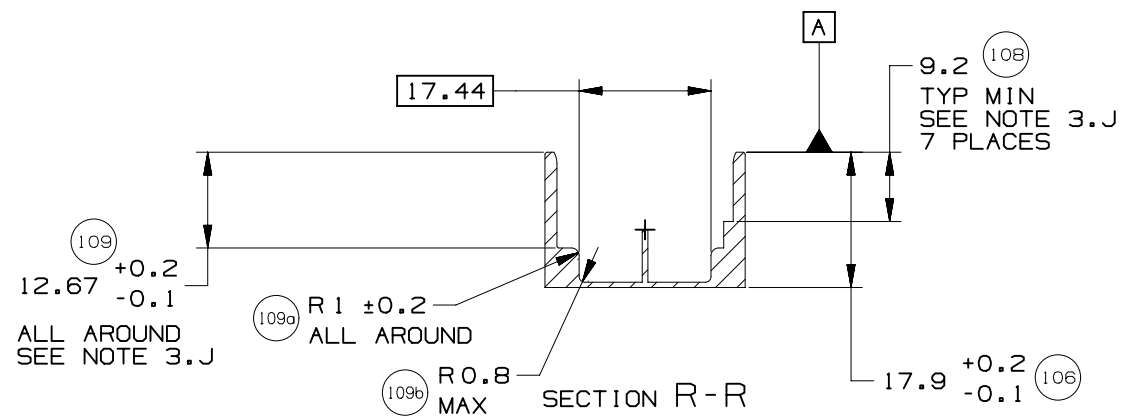


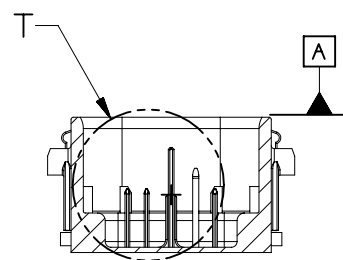
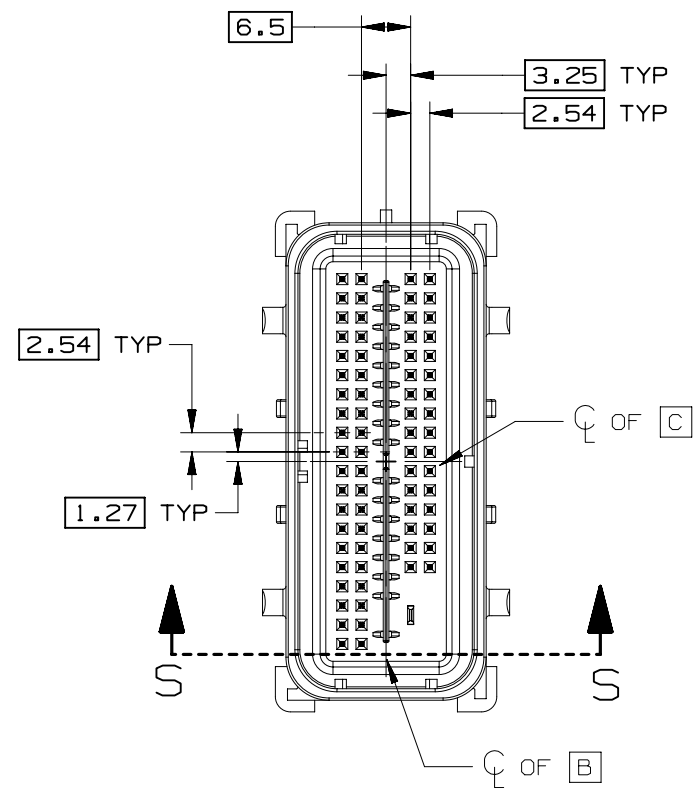
DETAIL N
SCALE 5:1



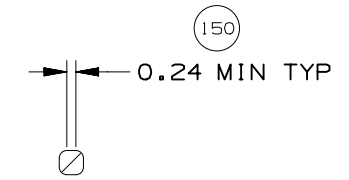
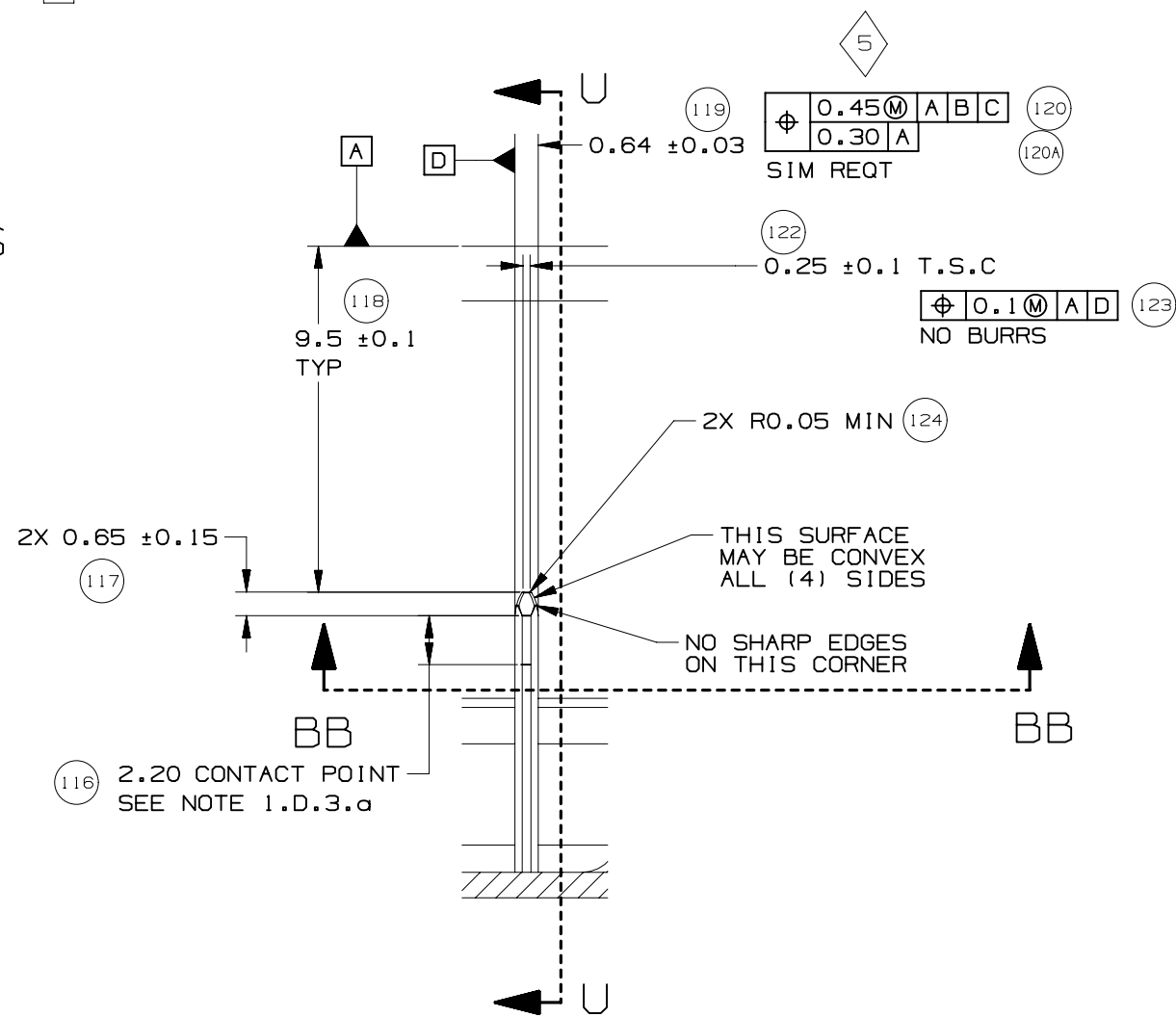


SECTION P-P

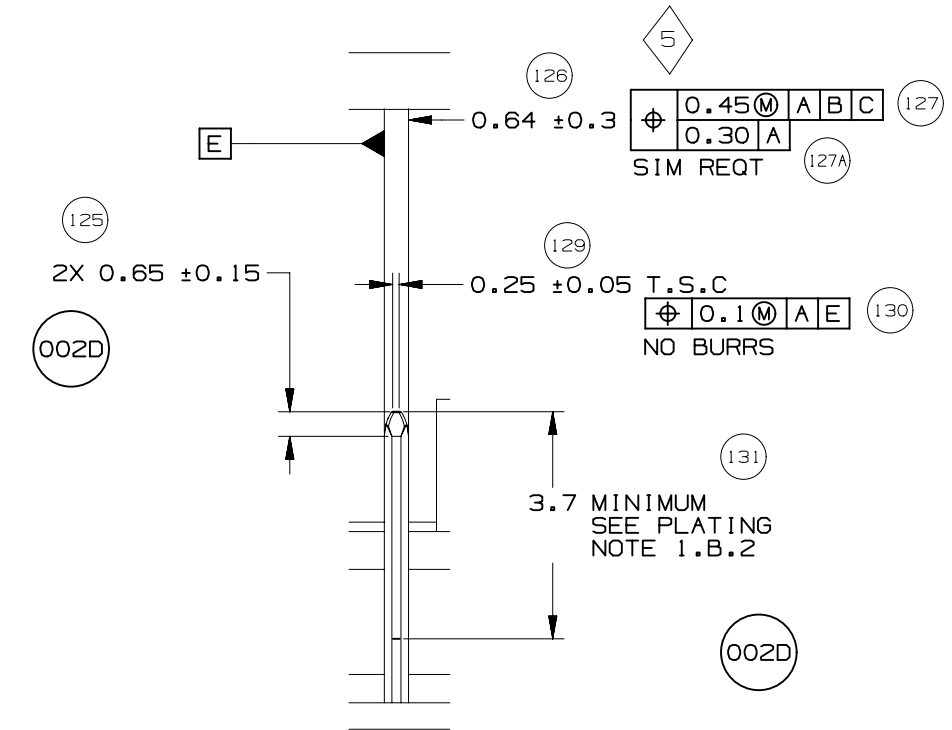




SECTION S-S

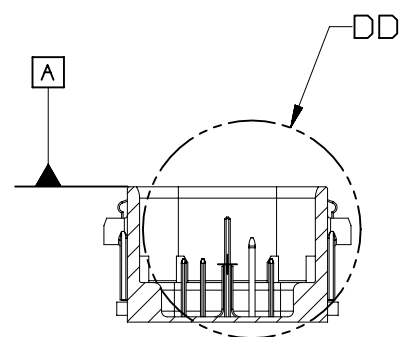
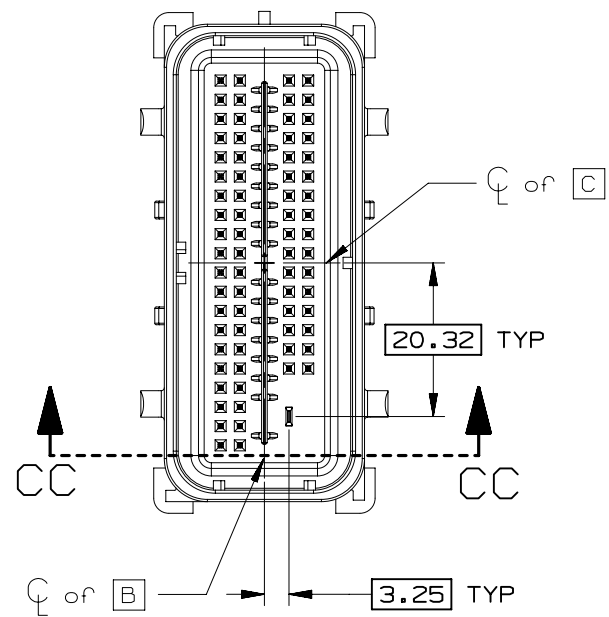


SECTION BB-BB

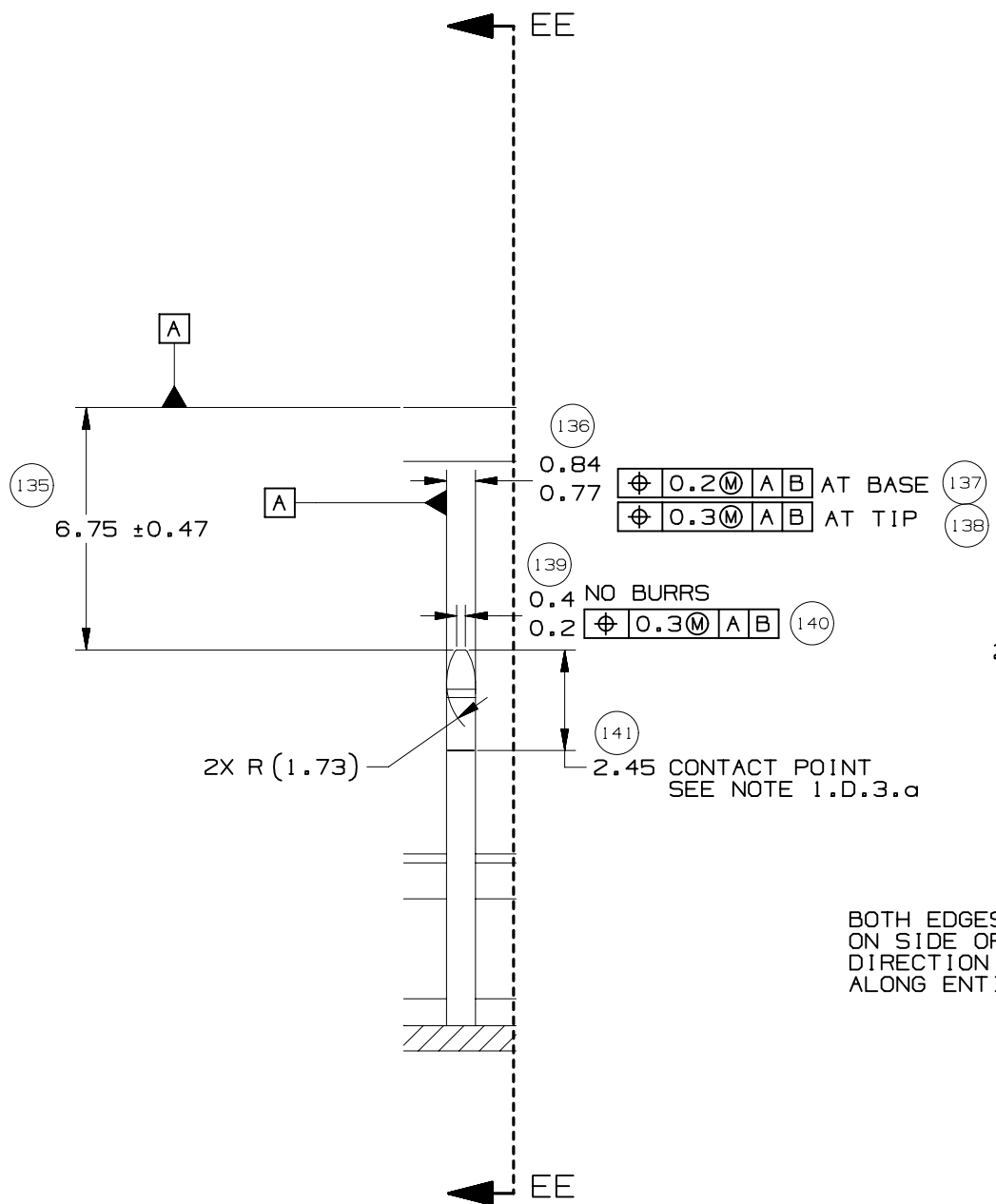


SECTION U-U

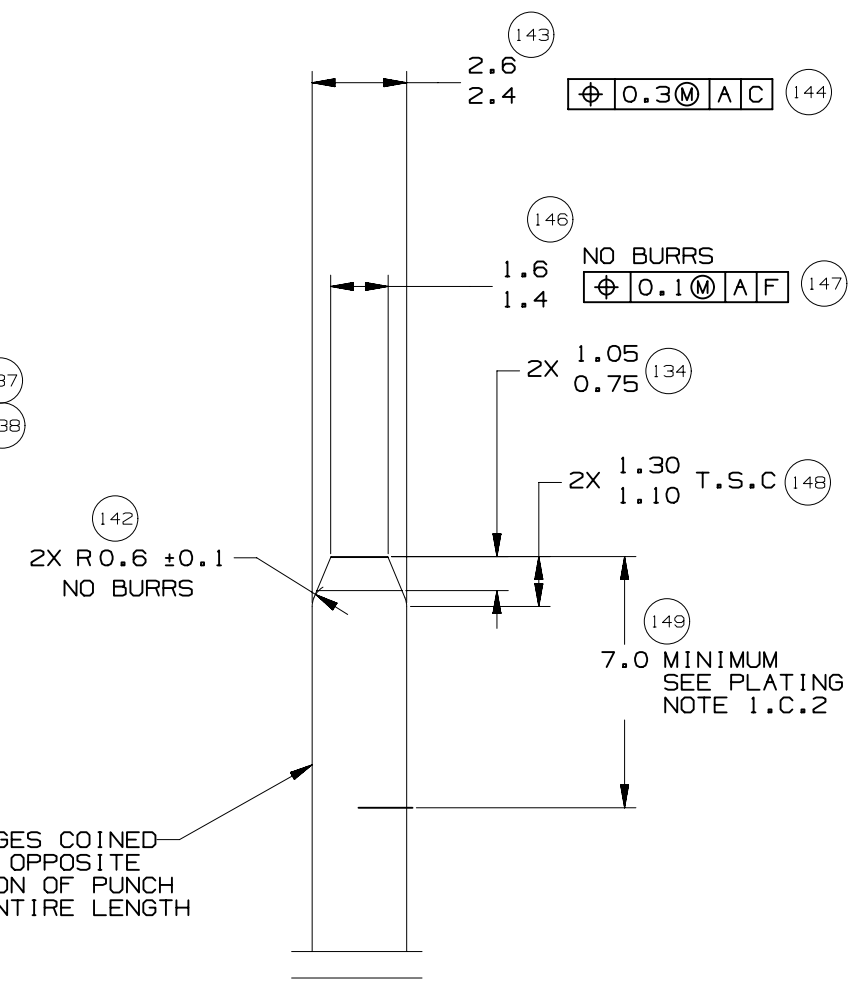




SECTION CC-CC



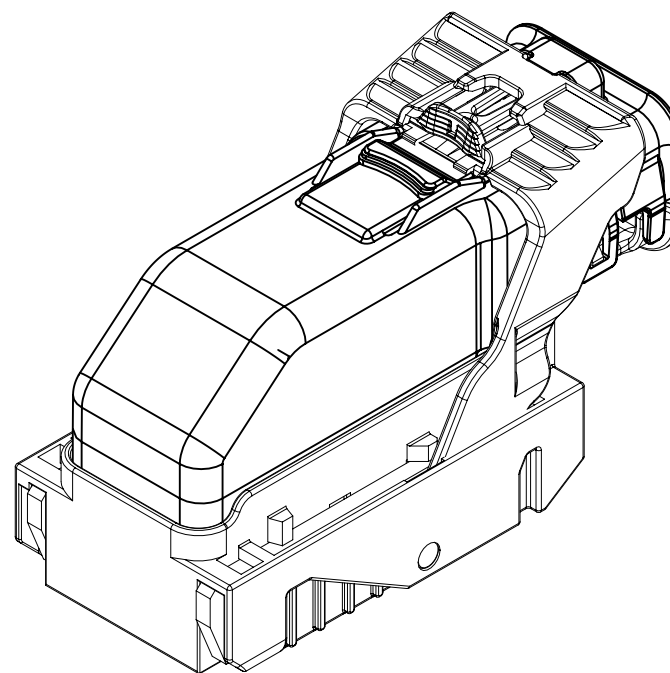
DETAIL DD
TYPICAL
SCALE 5:1




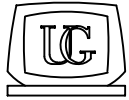
SECTION EE-EE
TYPICAL

BOTH EDGES COINED
ON SIDE OPPOSITE
DIRECTION OF PUNCH
ALONG ENTIRE LENGTH

INDEX	
PAGE TITLE	PAGE
TITLE BLOCK	1
REVISION BLOCK	2
PART BLOCK	3
KPC BLOCK	4
COMPONENT TABLE	5
NOTES	6
NOTES	7
WIRE DRESS PACKAGING DIMENSIONS	8
LOCATION AND PACKAGING DIMENSIONS REFERENCING INTERFACE DATUMS B & C	9
LOCATION AND PACKAGING DIMENSIONS REFERENCING INTERFACE DATUM A	10
KEY ID REF - WIRE DRESS OPTION 0	11
KEY ID REF - WIRE DRESS OPTION 9	12
CIRCUIT CONFIGURATIONS	13
CIRCUIT CONFIGURATIONS	14
COMPONENT CONNECTOR INTERFACE	15
COMPONENT CONNECTOR INTERFACE	16
COMPONENT CONNECTOR INTERFACE	17
COMPONENT CONNECTOR INTERFACE	18
COMPONENT CONNECTOR INTERFACE	19
COMPONENT CONNECTOR INTERFACE	20
COMPONENT CONNECTOR INTERFACE	21
ADDITIONAL COMPONENTS REQUIRED	22




ISO VIEW

	<p>UNLESS OTHERWISE SPECIFIED: THIS DOCUMENT IS IN ACCORDANCE WITH ASME Y14.5M-1994 AS AMMENDED BY THE GM GLOBAL DIMENSIONING AND TOLERANCING ADDENDUM-1997. ALL GEOMETRIC TOLERANCES AND RELATED DATUMS APPLY RFS. RULE #1 (PERFECT FORM AT MMC) DOES NOT APPLY WHEN A RELATIONSHIP BETWEEN FEATURES IS ESTABLISHED BY ORIENTATION OR LOCATION TOLERANCES. SEPARATE POSITION CALLOUTS MAY BE GAGED SEPARATELY REGARDLESS OF DATUM REFERENCES.</p>			DATE							
	 CHANGE RESTRICTED NO MANUAL CHANGES	REFERENCE 12H (MOLEX AUTOMOTIVE)	DRAFTER APVD1 APVD2 APVD3 APVD4 APVD5	05JN15							
DO NOT SCALE		DRAWING NAME HARNESS CONN ASM-SEALED 52/66/73/80 CKTS, MX123									
METRIC DIMENSIONS SHOWN IN MILLIMETERS UNLESS OTHERWISE SPECIFIED											
		DRAWING NUMBER 12672833		PAGE NUMBER							
				<table border="1"> <thead> <tr> <th colspan="3">DWG STATUS</th> </tr> <tr> <th>ST</th> <th>REV</th> <th>PD1</th> </tr> </thead> <tbody> <tr> <td style="text-align: center;">R</td> <td style="text-align: center;">001</td> <td></td> </tr> </tbody> </table>	DWG STATUS			ST	REV	PD1	R
DWG STATUS											
ST	REV	PD1									
R	001										
		1 OF 22									

PAGE	DWG STATUS					REVISION HISTORY	AUTH	DR	CK	ENG
	DATE	ST	REV	CHG	PDI					
	05JN15	R	001			RELEASED TO PRODUCTION AT DLS A	CRMRJE	DFK		

PAGE	DWG STATUS					REVISION HISTORY	AUTH	DR	CK	ENG
	DATE	ST	REV	CHG	PDI					

	PAGE TITLE	DRAWING NUMBER	DWG STATUS			PAGE NUMBER	
	REVISION BLOCK		12672833	ST	REV	PDI	2 OF 22
				R	001		

KEY PRODUCT CHARACTERISTICS
(IN ACCORDANCE WITH QN 1805 OR ON 1050)



SAFETY/COMPLIANCE

TOTAL ON
DRAWING

4



FIT/FUNCTION

LAST NO.
USED

4

NO	TYPE	DESCRIPTION	RATIONALE	PAGE/ZONE
1	F/F	32.68	IMPROVE CONNECTOR SYSTEM MATING	16
2	F/F	29.00	INSURE PROPER RELEASE OF LEVER	16
3	F/F	15.25	INSURE FINAL MATE POSITION	17
4	F/F	POSITIONAL TOLERANCE (2 PLACES)	INSURE CONNECTOR SYSTEM MATEABILITY	20



PAGE TITLE
KPC BLOCK

DRAWING NUMBER

12672833

DWG STATUS

ST	REV	PDI
----	-----	-----

R	001	
---	-----	--

PAGE NUMBER

4 OF 22

LINE	MFG.	MFG. P/N	GM P/N	EFFECTIVE DATE	APPLICABLE COMPONENTS	KEY OPTION	WIRE DRESS OPTION	KEY CONFIG.	COLOR	STATUS
					DESCRIPTION					
-										
1	MOLEX	34565-0003	12582676	02JN03	MX123 DRESS COVER 52/66/73/80 CKT	N/A	N/A	N/A	BLACK	AVAILABLE
2	MOLEX	160094-0001	12672852	01SP13	MX123 HRNS CONN ASSY 52 CKT	A	0	1458	BLACK	AVAILABLE
3	MOLEX	160094-0003	12672854	01SP13	MX123 HRNS CONN ASSY 52 CKT	C	0	2467	BLUE	AVAILABLE
4	MOLEX	160094-0013	12672853	01SP13	MX123 HRNS CONN ASSY 52 CKT	A	9	1458	BLACK	AVAILABLE
5	MOLEX	160094-0015	12672855	01SP13	MX123 HRNS CONN ASSY 52 CKT	C	9	2467	BLUE	AVAILABLE
6	MOLEX	34822-0013	12672856	01SP13	MX123 HRNS CONN ASSY 66 CKT	A	0	1458	BLACK	AVAILABLE
7	MOLEX	34822-0033	12672858	01SP13	MX123 HRNS CONN ASSY 66 CKT	C	0	2467	BLUE	AVAILABLE
8	MOLEX	34822-0023	12672857	01SP13	MX123 HRNS CONN ASSY 66 CKT	A	9	1458	BLACK	AVAILABLE
9	MOLEX	34822-0043	12672859	01SP13	MX123 HRNS CONN ASSY 66 CKT	C	9	2467	BLUE	AVAILABLE
10	MOLEX	34566-0103	12672860	11JN04	MX123 HRNS CONN ASSY 73 CKT	A	0	1458	BLACK	AVAILABLE
11	MOLEX	34566-0203	12672862	11JN04	MX123 HRNS CONN ASSY 73 CKT	B	0	1468	ST GRAY	AVAILABLE
12	MOLEX	34566-0303	12672864	09AP08	MX123 HRNS CONN ASSY 73 CKT	C	0	2467	BLUE	AVAILABLE
13	MOLEX	34566-0603	12672866	05DC14	MX123 HRNS CONN ASSY 73 CKT	F	0	1357	NATURAL	AVAILABLE
14	MOLEX	34566-1303	12672861	11JN04	MX123 HRNS CONN ASSY 73 CKT	A	9	1458	BLACK	AVAILABLE
15	MOLEX	34566-1403	12672863	11JN04	MX123 HRNS CONN ASSY 73 CKT	B	9	1468	ST GRAY	AVAILABLE
16	MOLEX	34566-1503	12672865	09AP08	MX123 HRNS CONN ASSY 73 CKT	C	9	2467	BLUE	AVAILABLE
17	MOLEX	34566-1803	12672867	05DC14	MX123 HRNS CONN ASSY 73 CKT	F	9	1357	NATURAL	AVAILABLE
18	MOLEX	34566-0703	12672872	09AP08	MX123 HRNS CONN ASSY 80 CKT	G	0	1358	BLUE	AVAILABLE
19	MOLEX	34566-0803	12672870	11JN04	MX123 HRNS CONN ASSY 80 CKT	H	0	2458	ST GRAY	AVAILABLE
20	MOLEX	34566-0903	12672868	T.B.D	MX123 HRNS CONN ASSY 80 CKT	J	0	2457	BLACK	NOT ACTIVE
21	MOLEX	34566-1903	12672873	09AP08	MX123 HRNS CONN ASSY 80 CKT	G	9	1358	BLUE	AVAILABLE
22	MOLEX	34566-2003	12672871	11JN04	MX123 HRNS CONN ASSY 80 CKT	H	9	2458	ST GRAY	AVAILABLE
23	MOLEX	34566-2103	12672869	T.B.D	MX123 HRNS CONN ASSY 80 CKT	J	9	2457	BLACK	NOT ACTIVE
24	MOLEX	34736-0028	12672851	01AU10	MX64 RCPT TERM Ag 0.5mm/0.75mm ISO GAGE B (RIGHT PAYOFF)	N/A	N/A	N/A	N/A	AVAILABLE
25	MOLEX	34736-0026	12672850	01AU10	MX64 RCPT TERM Ag 0.35mm ISO GAGE B (RIGHT PAYOFF)	N/A	N/A	N/A	N/A	AVAILABLE
26	MOLEX	34586-0001	12674820	11JN04	MX123 0.64mm GROMMET PLUG	N/A	N/A	N/A	NATURAL	AVAILABLE
27	YAZAKI	7116-4150-02	12588066	02JN03	2.8mm YESC SEALED FEMALE TERMINAL TIN 0.35mm2-0.50mm2	N/A	N/A	N/A	N/A	NOT ACTIVE
28	YAZAKI	7116-4151-02	12588067	02JN03	2.8mm YESC SEALED FEMALE TERMINAL TIN 0.75mm2-1.0mm2	N/A	N/A	N/A	N/A	NOT ACTIVE
29	YAZAKI	7116-4152-02	12582685	02JN03	2.8mm YESC SEALED FEMALE TERMINAL TIN 1.5mm2-2.5mm2	N/A	N/A	N/A	N/A	AVAILABLE
30	YAZAKI	7158-3111-60	12588068	02JN03	2.8mm CABLE SEAL (wire O.D. range 1.2mm-1.9mm)	N/A	N/A	N/A	GREEN	NOT ACTIVE
31	YAZAKI	7158-3112-70	12588069	02JN03	2.8mm CABLE SEAL (wire O.D. range 1.8mm-2.3mm)	N/A	N/A	N/A	YELLOW	NOT ACTIVE
32	YAZAKI	7158-3113-40	12582686	02JN03	2.8mm CABLE SEAL (wire O.D. range 2.1mm-3.0mm)	N/A	N/A	N/A	WHITE	AVAILABLE
33	YAZAKI	7158-3114-90	12674821	02JN03	2.8mm YESC CAVITY PLUG	N/A	N/A	N/A	BLUE	AVAILABLE
34	MOLEX	63825-8400	N/A	02JN03	MX64 TERM HAND CRIMP TOOL	N/A	N/A	N/A	N/A	AVAILABLE
35	MOLEX	63813-1400	XX019826	02JN03	MX64 TERM SERVICE TOOL	N/A	N/A	N/A	N/A	AVAILABLE
36	MOLEX	63902-5300	N/A	02JN03	MX64 CRIMP APPLICATOR with TOOL KIT 0.5/0.75mm2 PAYOFF DIRECTION D (left payoff) (contact Molex for payoff detail)	N/A	N/A	N/A	N/A	AVAILABLE
37	MOLEX	63902-5370	N/A	02JN03	MX64 APPLICATOR TOOL KIT 0.5/0.75mm2	N/A	N/A	N/A	N/A	AVAILABLE
38	MOLEX	63902-5100	N/A	02JN03	MX64 CRIMP APPLICATOR with TOOL KIT 0.35mm2 PAYOFF DIRECTION D (left payoff) (contact Molex for payoff detail)	N/A	N/A	N/A	N/A	AVAILABLE
39	MOLEX	63902-5170	N/A	02JN03	MX64 APPLICATOR TOOL KIT 0.35mm2	N/A	N/A	N/A	N/A	AVAILABLE
40	SPX	J35616-64	T.B.D.	02JN03	0.64mm PROBE TOOL (for rcpt)	N/A	N/A	N/A	N/A	AVAILABLE
41	SPX	J35616-64A	T.B.D.	02JN03	0.64mm PROBE TOOL WITH EXT (for rcpt)	N/A	N/A	N/A	N/A	AVAILABLE
42	SPX	J35616-65	T.B.D.	02JN03	0.64mm PROBE TOOL WITH EXT (for pin)	N/A	N/A	N/A	N/A	AVAILABLE
43	SPX	J35616-4A	T.B.D.	02JN03	2.8mm PROBE TOOL (for rcpt)	N/A	N/A	N/A	N/A	AVAILABLE
44	YAZAKI	X39899-J374	12094430	02JN03	2.8mm TERM SERVICE TOOL	N/A	N/A	N/A	N/A	AVAILABLE
45	TQI	7000-1006	N/A	15JN15	52 CKT PASS THROUGH ADAPTERS	N/A	N/A	N/A	BLACK	AVAILABLE
46	TQI	7000-1002	N/A	15JN15	66 CKT PASS THROUGH ADAPTERS	N/A	N/A	N/A	BLACK	AVAILABLE
47	TQI	79917-0061	N/A	15JN15	73 CKT PASS THROUGH ADAPTERS	N/A	N/A	N/A	BLACK	AVAILABLE
48	TQI	79917-0066	N/A	15JN15	80 CKT PASS THROUGH ADAPTERS	N/A	N/A	N/A	BLACK	AVAILABLE

* - MX123 DRESS COVER 52/66/73/80 CKT MATES TO ANY MX123 HARN CONN ASSY SHOWN ON TABLE ABOVE



PAGE TITLE
COMPONENT TABLE

DRAWING NUMBER

12672833

DWG STATUS

ST REV PDI

R 001

PAGE NUMBER

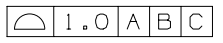
5 OF 22

NOTES: UNLESS OTHERWISE SPECIFIED

1. MATERIAL FOR INTERFACE:


- A. RESIN:
 - 1. 30% G.F. PBT; 20% MAX. (BY WEIGHT) REGRIND.
 - 2. MATING CONNECTOR INTERFACE PART COLOR MUST BE SAME AS MATCHING KEYED HARNESS CONNECTOR ASSEMBLY.
 - 3. MUST BE VALIDATED FOR INDIVIDUAL DEVICE APPLICATION REQUIREMENTS.
- B. 0.64MM PINS:
 - 1. BASE MATERIAL: COPPER ALLOY; CONDUCTIVITY >= 28% IACS AT 20°C; TENSILE STRENGTH >= 635 N/mm²; SURFACE ROUGHNESS R_a 6 MAX.
 - 2. PLATING FINISH: SILVER (Ag). PLATING TO BE 1.9-3.3 μm ELECTRODEPOSITED SEMI-BRIGHT SILVER OVER 1.25-2.25 μm DUCTILE SULPHAMATE NICKEL PER NOTE 1(D).
 - 3. ANTI-TARNISH: SYNTHETIC HYDROCARBON CONTACT SURFACE FINISH OR EQUIVALENT APPLIED WITHOUT VOID TO CONTACT AREA (MIN 3.7mm FROM PIN TIP).
- C. 2.8MM BLADE:
 - 1. BASE MATERIAL: COPPER ALLOY; CONDUCTIVITY >= 28% IACS AT 20°C; TENSILE STRENGTH >= 350 N/mm²; SURFACE ROUGHNESS R_a 6 MAX.
 - 2. PLATING FINISH: TIN. PLATING TO BE 2.5-5.0 μm ELECTRODEPOSITED TIN, MATTE FINISH OVER 1.25-2.5 μm DUCTILE SULPHAMATE NICKEL PER NOTE 1(D).
- D. PLATING REQUIREMENTS:
 - 1. SILVER PLATING
 - a. 99.5% PURE SEMI-BRIGHT WITH NO ORGANIC BRIGHTNERS OR CHROMATES.
 - 2. NICKEL PLATING
 - a. ELECTRODEPOSITED DUCTILE SULFAMATE NICKEL WITH A NON-BRIGHTENED FINISH. NO ORGANIC OR BRIGHTENING AGENTS SHALL BE ALLOWED.
 - b. SHALL ONLY BE USED AS AN UNDERLYING PLATING AND MAY NOT BE USED AS AN ELECTRICAL CONTACT SURFACE PLATING.
 - c. SHALL BE NODULE FREE WHEN VIEWED AT 10X MAGNIFICATION IN MEASURED IN CONTACT SURFACE AREA PLUS 0.5MM PERIMETER AROUND THE CONTACT SURFACE AREA.
 - d. ALL PLATINGS SHALL HAVE A 1.0% MAXIMUM BY WEIGHT IMPURITIES. IMPURITIES ARE DEFINED AS ALL ELEMENTS NOT THE PRIMARY PLATING OR HARDENING AGENT IF APPLICABLE, AS DETERMINED BY WET CHEMICAL ANALYSIS OR AUGER METHOD. NO SINGLE IMPURITY SHALL EXCEED 0.1% MAXIMUM BY WEIGHT.
 - 3. TESTING
 - a. THICKNESS TO BE MEASURED IN CONTACT SURFACE AREA PLUS 0.5MM PERIMETER AROUND THE CONTACT SURFACE AREA AS DESIGNATED IN THE DRAWING. THICKNESS SHALL BE DETERMINED BY METHOD OF X-RAY (XRF).
 - b. PLATING ADHESION SHALL BE TESTED BY A BEND TEST FOR ALL METALS. THE TEST SAMPLE SHALL BE BENT 90 DEGREES TO DETERMINE DEPOSIT ADHESION. TESTING SHALL BE COMPLETED IN ACCORDANCE WITH ASTM SPEC B571.

2. DESIGN - GENERAL:

- A. THIS IS A 100% CAD GENERATED PART. THE CAD MATHEMATICAL DATA IS THE MASTER FOR THIS PART. FOR DIMENSIONAL OR ANY INFORMATION NOT SHOWN ON THIS DRAWING, ANALYZE THE CAD MODEL.
- B. TOLERANCES:
 - 1. LINEAR
 - 0.X ± 0.30
 - 0.XX ± 0.10
 - 0.XXX ± 0.10
 - 2. ANGULAR X° ± 3°
 - 3. 
- C. MINIMUM WALL THICKNESS REQUIRED: 1.3mm.
- D. CORNERS SHOWN AS SHARP TO BE R 0.2 MAX.
- E. LETTERING SHALL BE 0.15 MAX RAISED IN 0.20 MAX RECESS PAD. THIS INCLUDES MATERIAL CODE, RECYCLING CODE, CAVITY ID AND DATE CODE.
- F-1. PARTS MUST BE FREE OF DISCOLORATION, SALT RESIDUE AND OTHER IMPERFECTIONS THAT AFFECT FIT OR FUNCTION.
- F-2. SCRATCHES OR DENTS NOT TO EXCEED 0.013mm IN DEPTH.
- G. FOLLOWING PRODUCTION CODES TO BE PERMANENTLY MARKED & HUMAN READABLE TO A LETTER HEIGHT OF 1.5 ± 0.5MM X 0.3 MAX DEEP
 - 1. MATERIAL #: XXXXX-XXXX
 - 2. DATE CODE: JJYY (JULIAN DAY, LAST DIGIT OF YEAR)
 - 3. INSPECTION MACHINE CODE + SERIAL #: X_XXXXX

3. DESIGN - MANUFACTURING:

- A. DRAFT TO BE WITHIN TOLERANCE.
- B. ALLOWABLE FLASH MAX 0.2 HIGH X MAX 0.13 THICK.
- C. ALLOWABLE PARTING LINE MISMATCH 0.2 MAX.
- D. EJECTOR PINS MARK TO BE FLUSH TO 0.25 MAX DEPRESSED.
- E. ALLOWABLE GATE VESTIGE FLUSH TO 0.25 MAX PROTRUSION.
- F. NO EXTERNAL MOLD RELEASE AGENT ALLOWED DURING MANUFACTURING.
- G. STEEL THAT FORMS THE INDICATED SURFACE MUST BE POLISHED WITH A DIAMOND FINISH (SPI A-2) OVER THE FULL PERIPHERY OF THE TOOL. SURFACE MUST HAVE NO MISMATCH.
- H. ANY PROCESS LUBRICANT REMAINING ON THE TERMINAL MUST NOT VARNISH OR DEGRADE IT'S ELECTRICAL PERFORMANCE UP TO A MAXIMUM CLASS AMBIENT TEMPERATURE PER SAE USCAR-2 FOR 1008 HOURS. PROCESS LUBRICANTS SHOULD BE APPROVED BY THE RESPONSIBLE ENGINEER.
- J. OPTIONAL FEATURES PROVIDED FOR AUTOMATION.
- K. PART MUST BE FREE FROM BURRS AND SHARP EDGES, WHICH MIGHT BE DETRIMENTAL TO SATISFACTORY ASSEMBLY, SAFE HANDLING OR FUNCTION OF PART.
- L. PARTS AS DELIVERED TO ASSEMBLY SHALL BE CLEAN AND FREE OF DEBRIS, RESIDUAL ABRASIVE MATERIAL AND CORROSION PRODUCTS ADVERESLY AFFECTING FUNCTION OR APPEARENCE.
- M. RESTRICTED AND REPORTABLE SUBSTANCES FOR PARTS PER GMW3059.

	PAGE TITLE	DRAWING NUMBER	DWG STATUS			PAGE NUMBER
	NOTES		12672833			
			ST	REV	PDI	

NOTES: UNLESS OTHERWISE SPECIFIED

4. SYSTEM REQUIREMENTS:

- A. HARNESS CONNECTOR IS COMPATIBLE WITH THE FOLLOWING ISO WIRE SIZE NO'S:
 0.35mm², MEETING GMW15626 - MIN OD OF 1.30MM
 0.50mm², MEETING GMW15626
 0.75mm², MEETING GMW15626 - MAX OD OF 2.06MM

B. CABLE TIE SPECIFICATIONS:

1. CABLE TIE:
 - TENSILE RATING: 220N / (50lbs) MIN
 - TIE LENGTH: 186mm MIN
 - TIE WIDTH: 4.75mm MAX
 - MATERIAL: NYLON
2. INSTALLATION:
 - CABLE TIE TENSION: 190N MIN
3. DRESSED WIRE BUNDLE PACKAGING: SEE FIG. 1

C. WHEN MATED WITH COMPONENT CONNECTOR INTERFACE AND/OR DRESS COVER, HARNESS CONNECTOR SYSTEM CONFORMS TO THE FOLLOWING:

1. SAE/USCAR-2, REV: 3 APRIL, 2001; CLASS 3
2. FIELD CORRELATED LIFE TEST, SAE/USCAR-20, NOV. 2001
3. GMW #3191 AUGUST 22, 2000 (DRAFT); TEMPERATURE CLASS 3, SEALING CLASS 1, VIBRATION CLASS 2
4. RESTRICTED AND REPORTABLE CHEMICALS PER GMW #3059, REV: D AUGUST 2002
5. TPA USER FORCES (FULLY POPULATED WITH TERMINALS)
 - a. REMOVAL FROM LOCK TO PRE-SET: <=120N

D. WIRE SPECIFICATIONS:

1. WIRE SURFACE MUST BE FREE OF SCRATCHES, GROOVES OR DENTS WHERE FUNCTIONAL

5. TERMINAL CURRENT RATINGS:

A. MX64 RCPT TERM

ALL TESTING DONE IN ACCORDANCE WITH USCAR-2 REV5 SECTION 5.3

1. MX64 RCPT TERM Ag 0.50/0.75mm² CRIMPED TO 0.75mm² ISO WIRE AND MATED TO MX123 0.64MM PIN: SEE TABLE BELOW
2. MX64 RCPT TERM Ag 0.35mm² CRIMPED TO 0.35mm² ISO WIRE AND MATED TO MX123 0.64MM PIN: SEE TABLE BELOW

WIRE	CURRENT RATING			
	23°C	85°C	105°C	125°C
0.75mm ²	11.3A	11.3A	9.5A	6.6A
0.50mm ²	10.0A	10.0A	8.3A	5.7A
0.35mm ²	8.5A	8.5A	7.1A	5.0A

B. 2.8MM RCPT TERM

ALL TESTING DONE IN ACCORDANCE WITH MOLEX DVP&R 0279 (TR # 7125)

1. 2.8MM RCPT TERM TIN 2.0mm² CRIMPED TO 2.0mm² ISO WIRE AND MATED TO MX123 2.8MM BLADE: 25.6 AMPS AT 125°C

6. CONTACT MOLEX AUTOMOTIVE FOR AVAILABLE CUSTOM PATTERNS OF CAVITIES OPEN FOR CIRCUITS - SEE GM DRAWING 13507496



PAGE TITLE
NOTES

DRAWING NUMBER

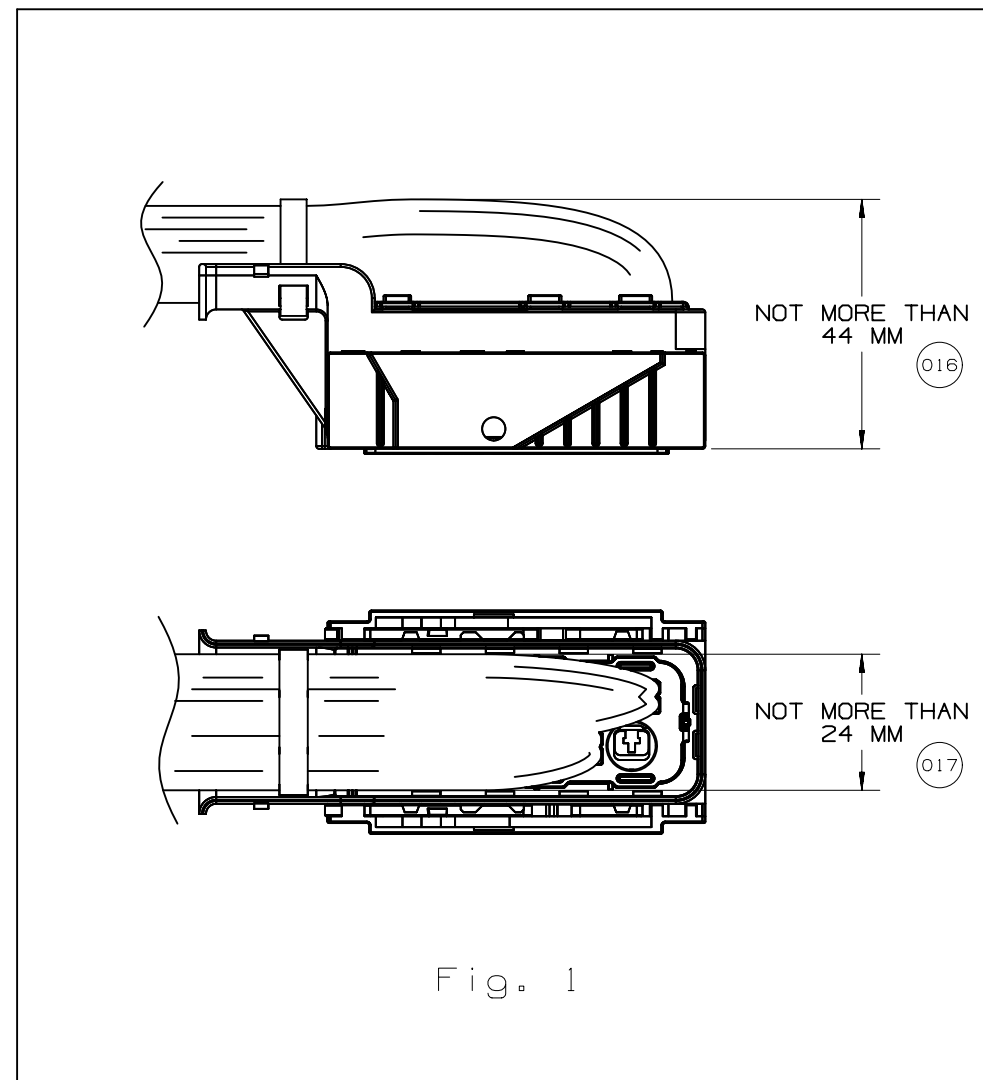
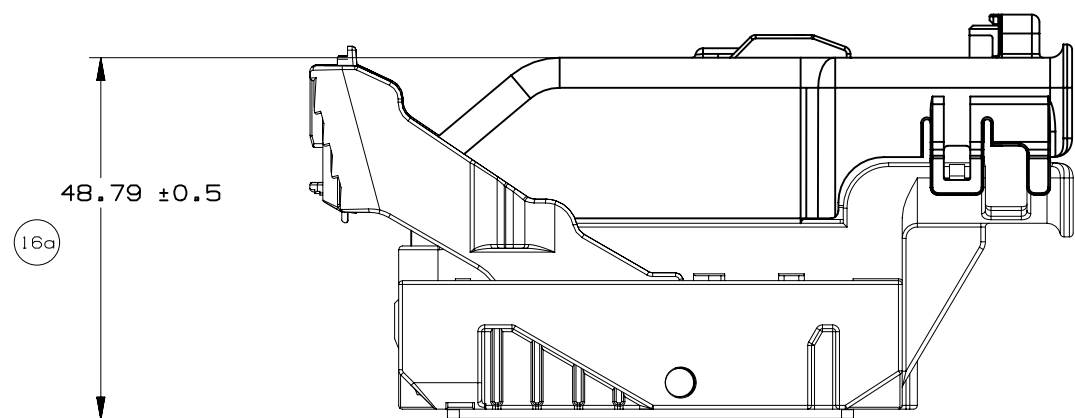
12672833

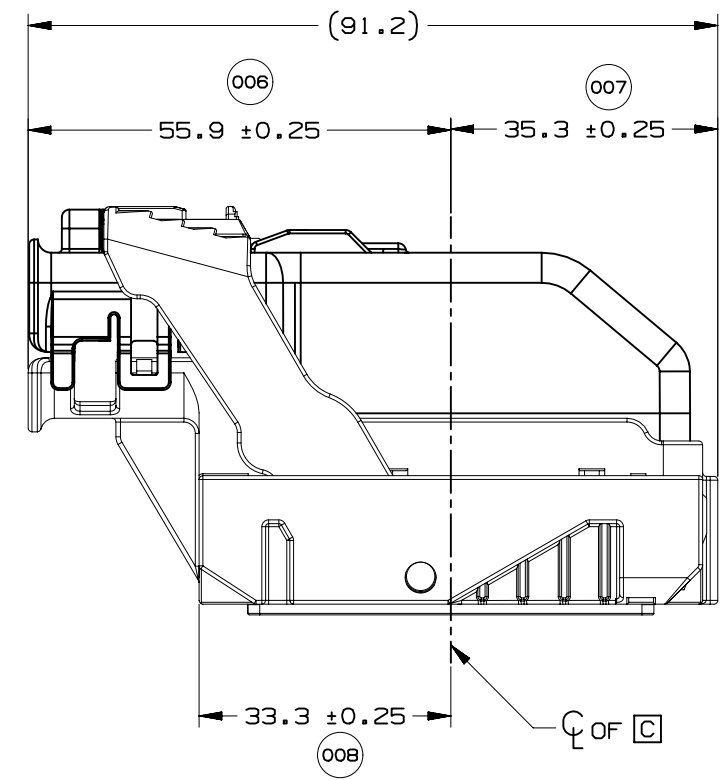
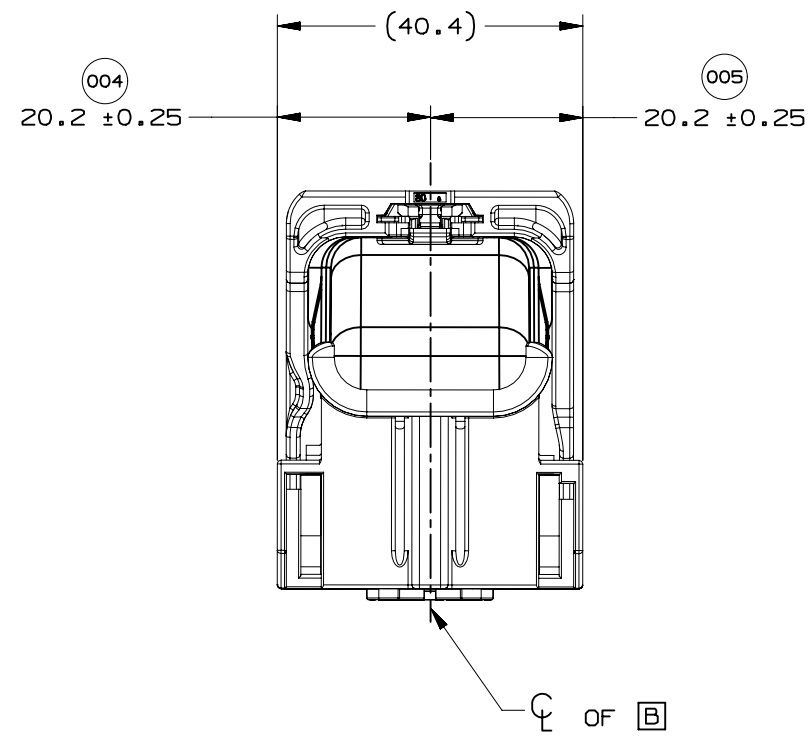
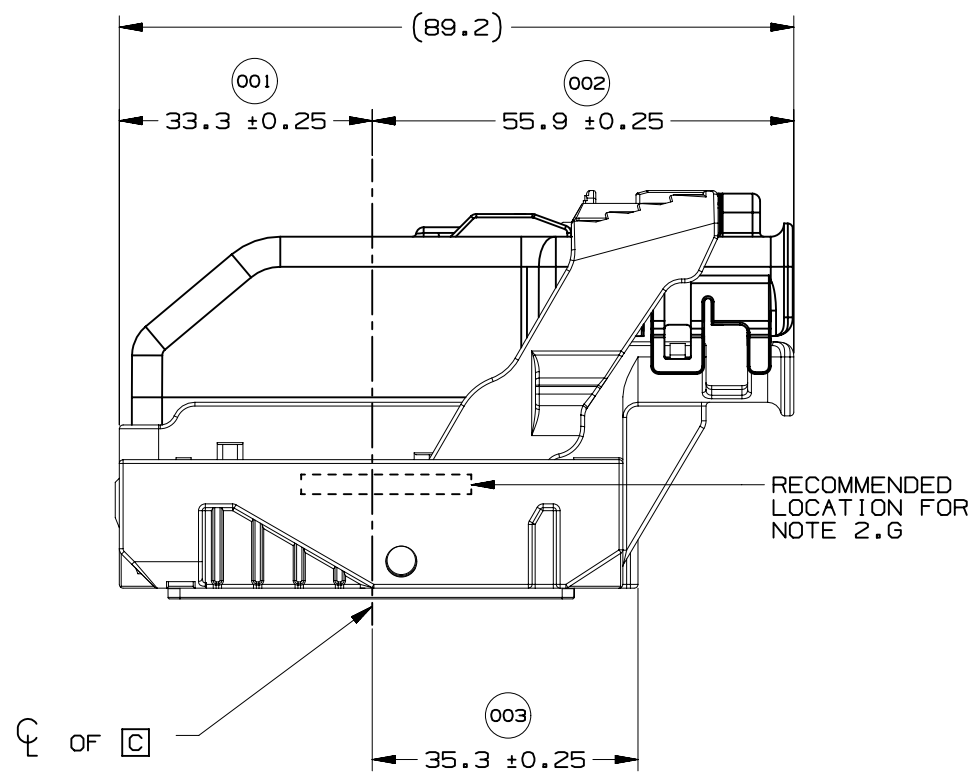
DWG STATUS

ST	REV	PDI
R	001	

PAGE NUMBER

7 OF 22



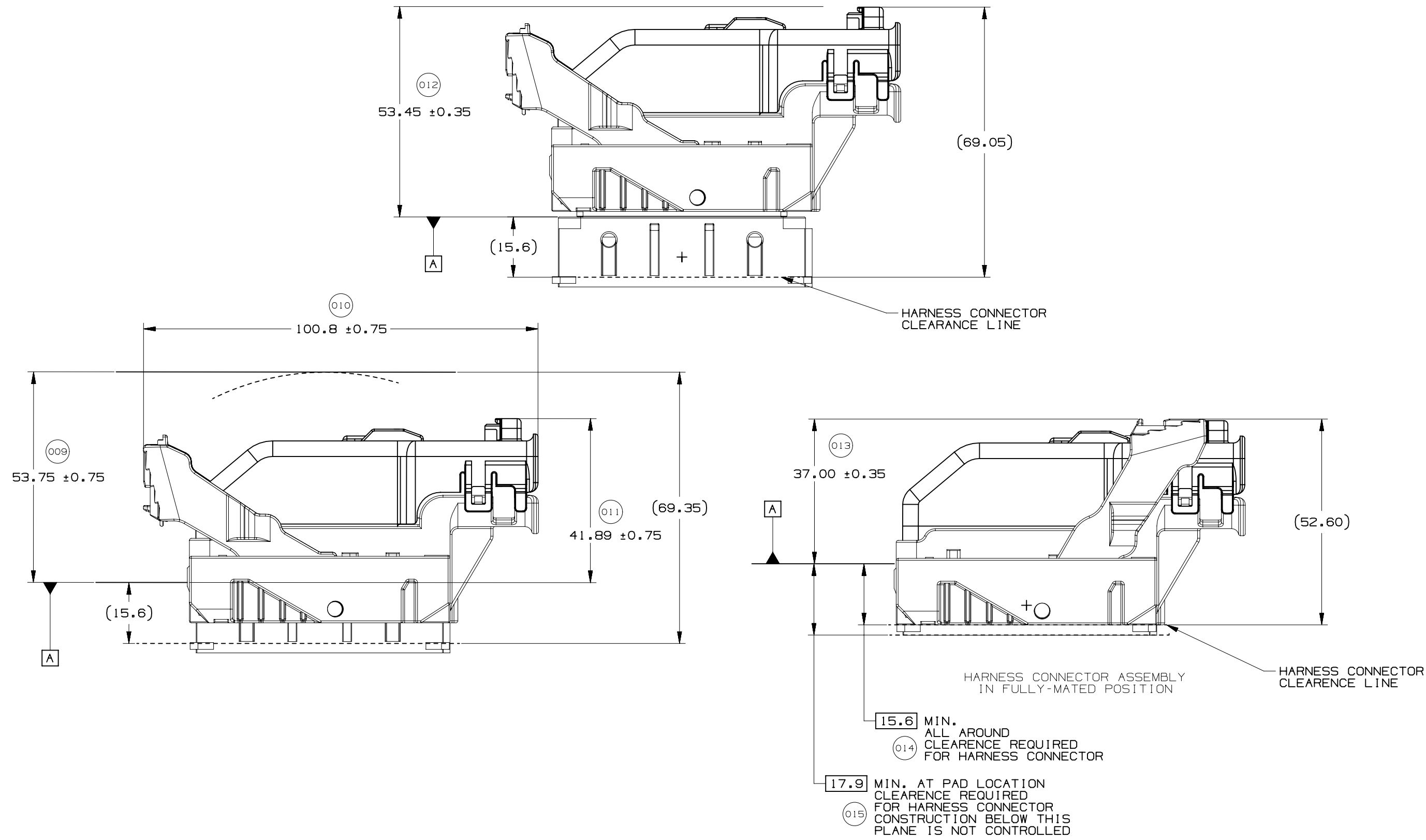


PAGE TITLE
 LOCATION AND PACKAGING DIMENSIONS
 REFERENCING INTERFACE DATUMS B & C

DRAWING NUMBER
 12672833

DWG STATUS		
ST	REV	PD1
R	001	

PAGE NUMBER
 9 OF 22

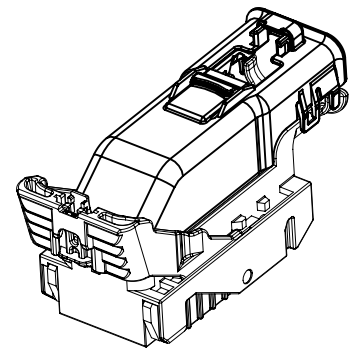
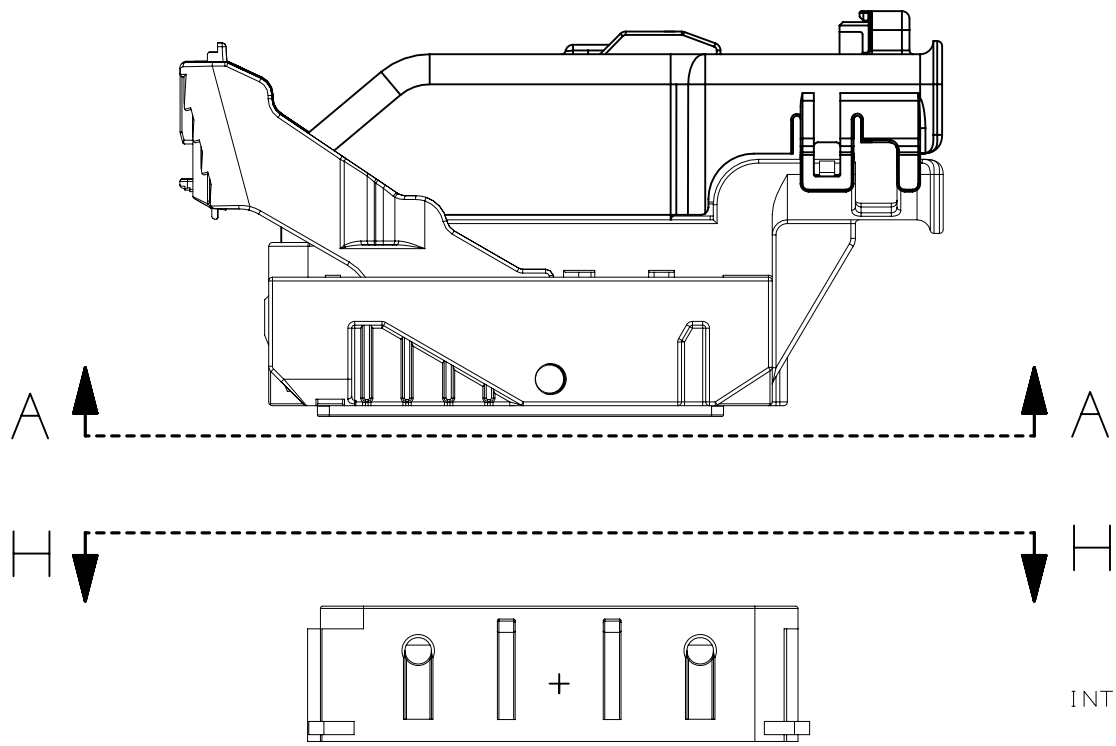


PAGE TITLE
 LOCATION AND PACKAGING DIMENSIONS
 REFERENCING INTERFACE DATUM A

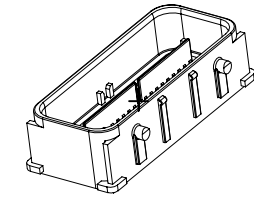
DRAWING NUMBER
 12672833

DWG STATUS		
ST	REV	PD1
R	001	

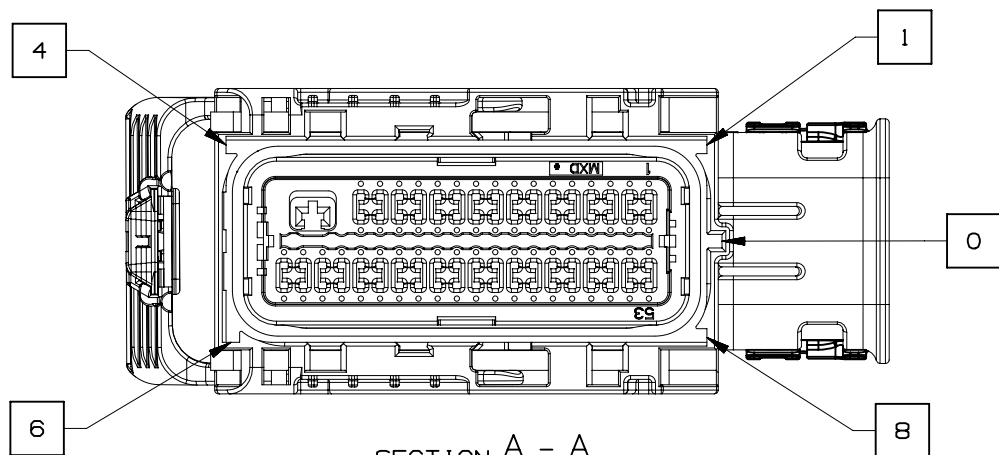
PAGE NUMBER
 10 OF 22



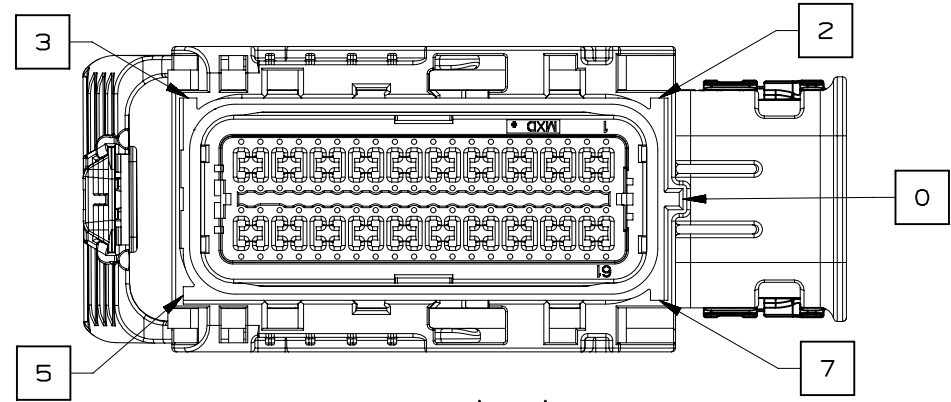
NOTE: REFERENCE THE COMPONENT TABLE FOR KEY OPTIONS AND CONFIGURATIONS



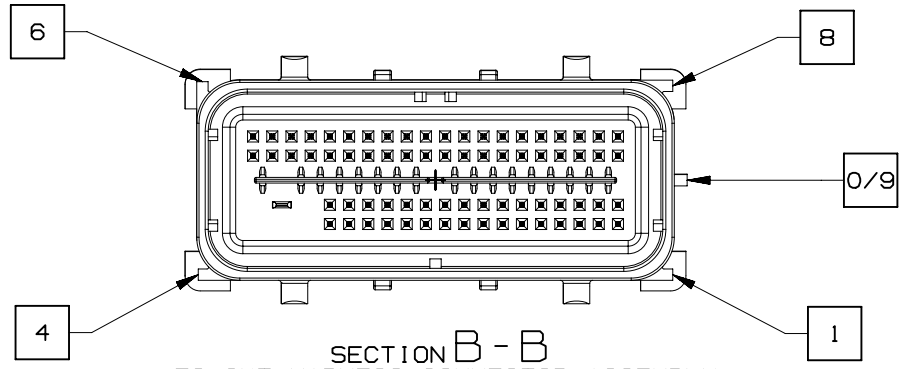
INTERFACE SIDE SHOWN ON ALL SECTION VIEWS



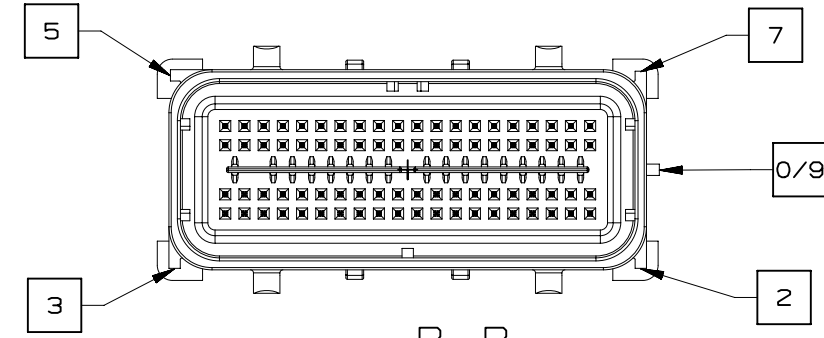
SECTION A - A
73 CKT HARNESS CONNECTOR ASSEMBLY
KEY OPTION B SHOWN



SECTION A - A
80 CKT HARNESS CONNECTOR ASSEMBLY
KEY OPTION K SHOWN



SECTION B - B
73 CKT HARNESS CONNECTOR ASSEMBLY
KEY OPTION B SHOWN



SECTION B - B
80 CKT HARNESS CONNECTOR ASSEMBLY
KEY OPTION K SHOWN

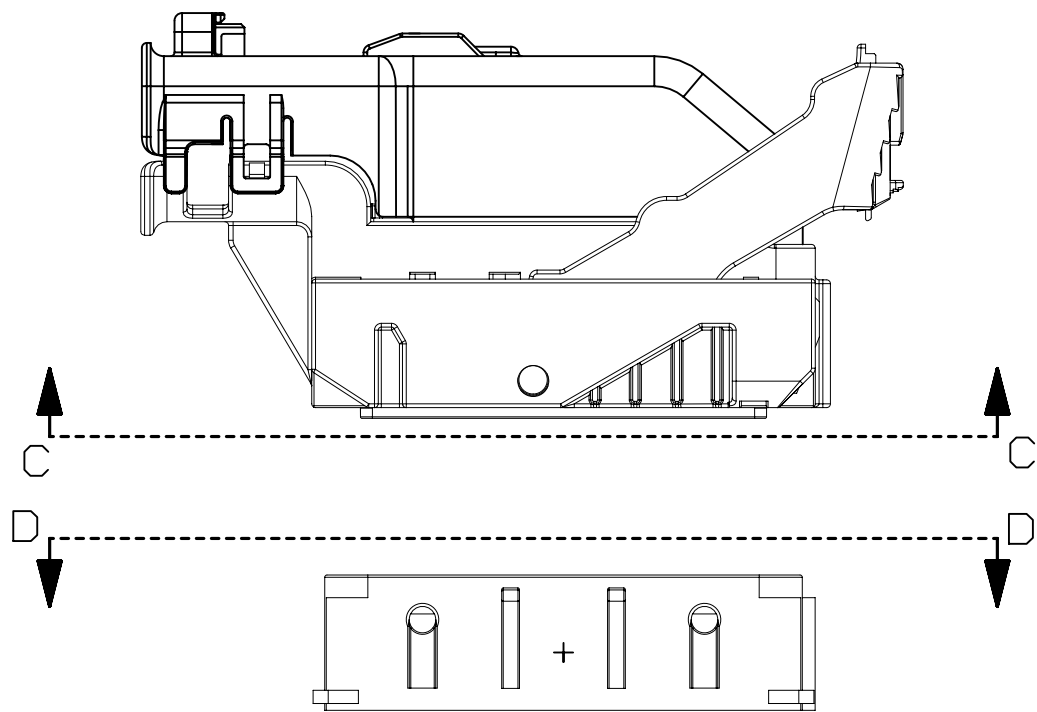


PAGE TITLE
KEY ID REF - WIRE DRESS OPTION 0

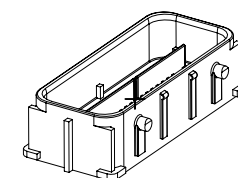
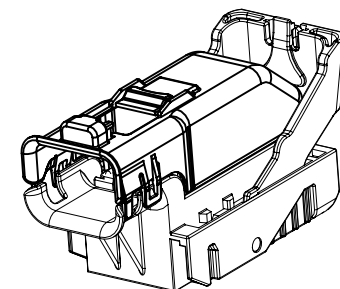
DRAWING NUMBER
12672833

DWG STATUS		
ST	REV	PD1
R	001	

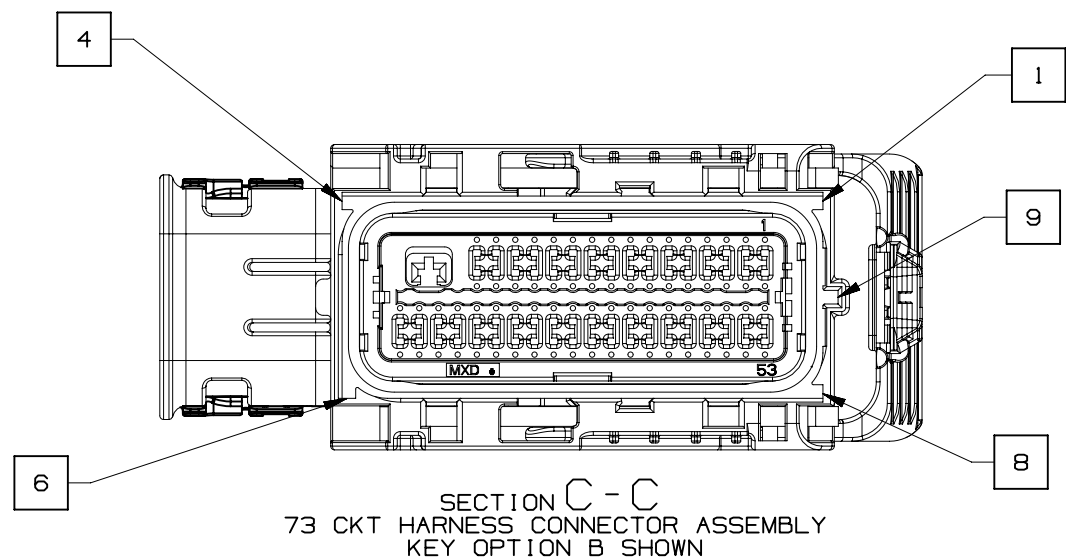
PAGE NUMBER
11 OF 22



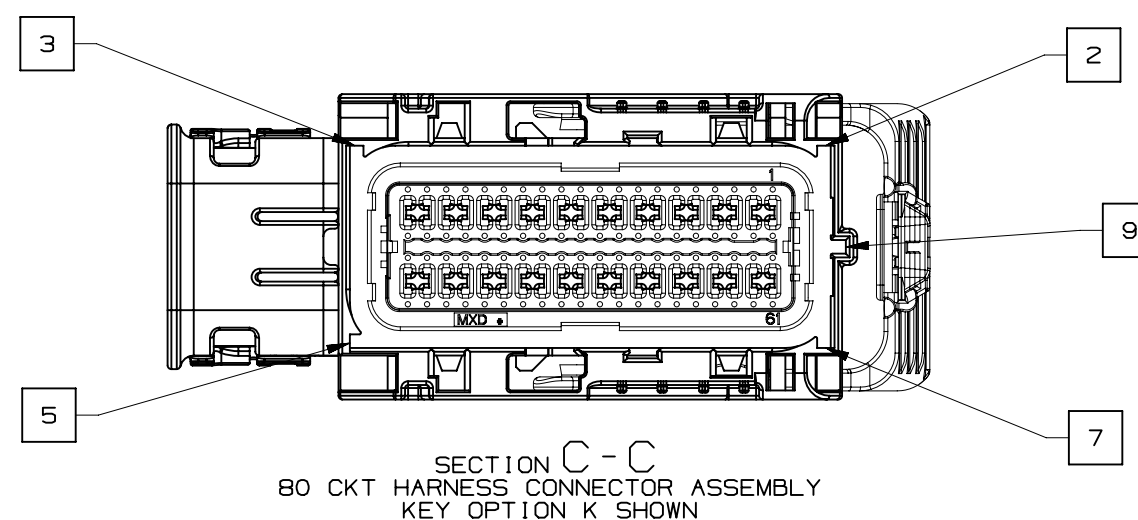
INTERFACE SIDE SHOWN ON ALL SECTION VIEWS



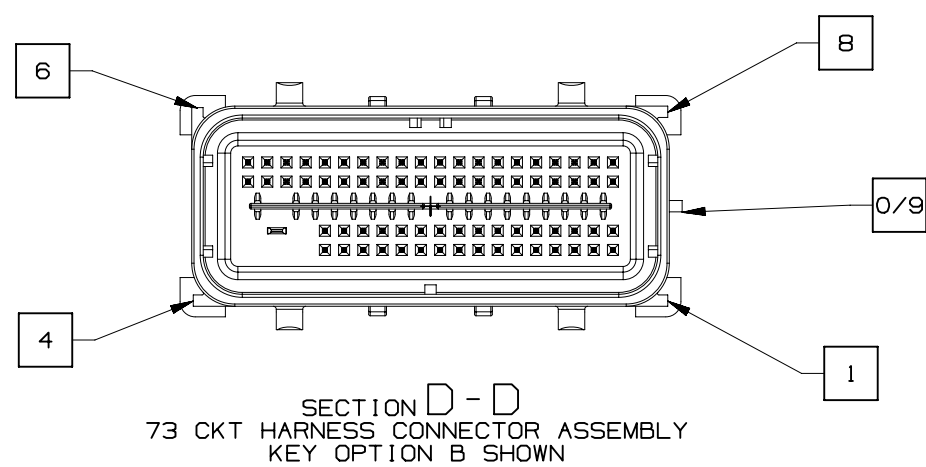
NOTE: REFERENCE THE COMPONENT TABLE FOR KEY OPTIONS AND CONFIGURATIONS



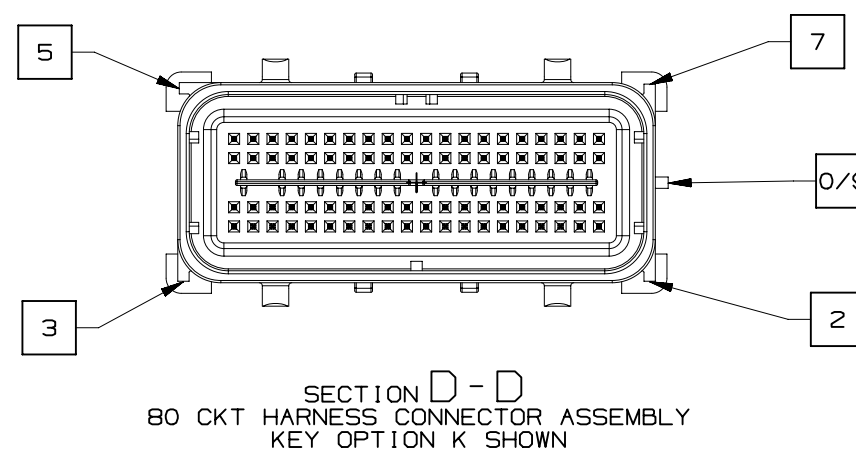
SECTION C - C
73 CKT HARNESS CONNECTOR ASSEMBLY
KEY OPTION B SHOWN



SECTION C - C
80 CKT HARNESS CONNECTOR ASSEMBLY
KEY OPTION K SHOWN



SECTION D - D
73 CKT HARNESS CONNECTOR ASSEMBLY
KEY OPTION B SHOWN



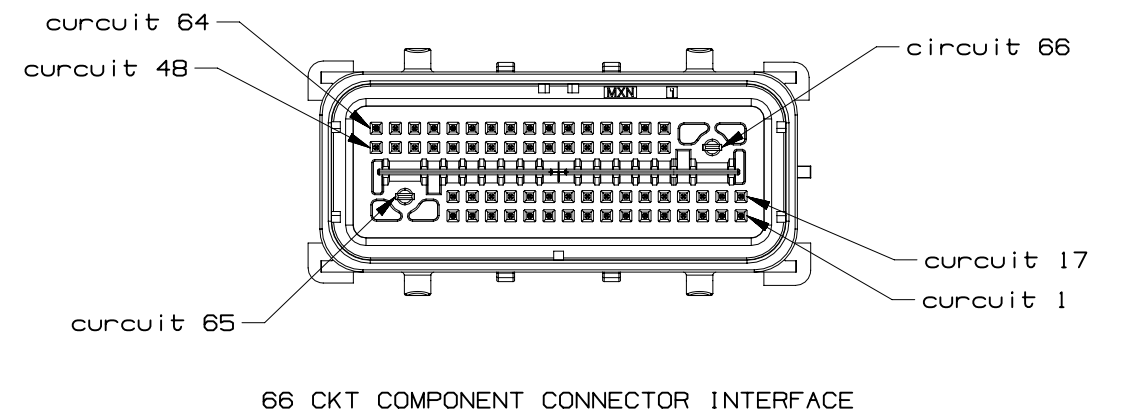
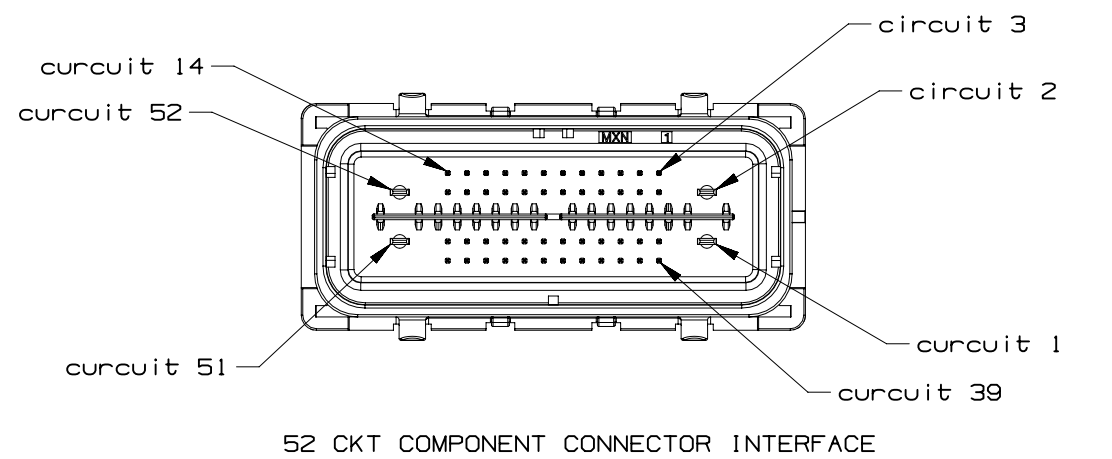
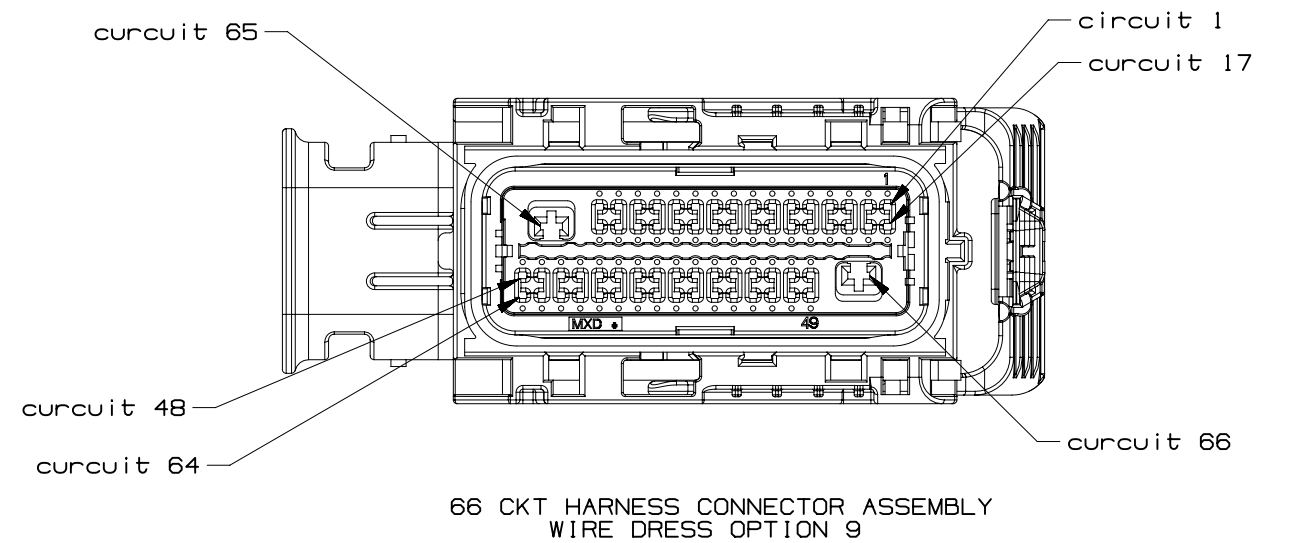
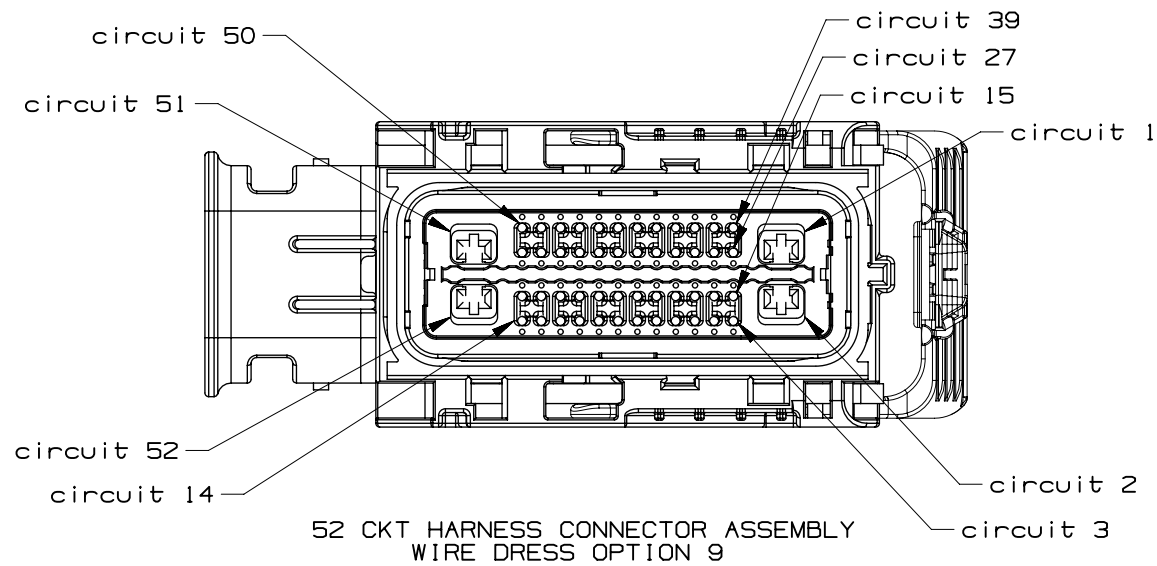
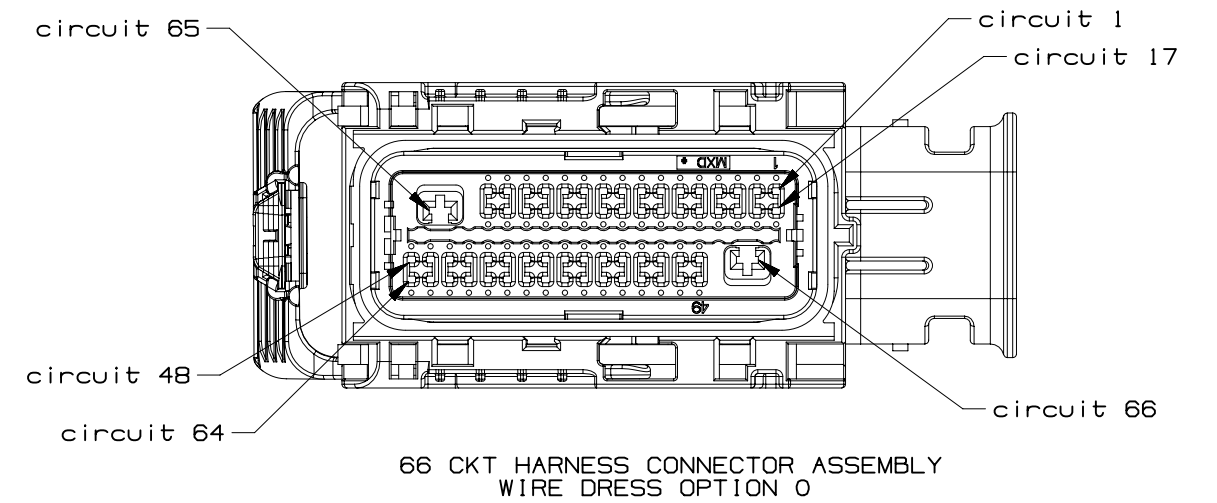
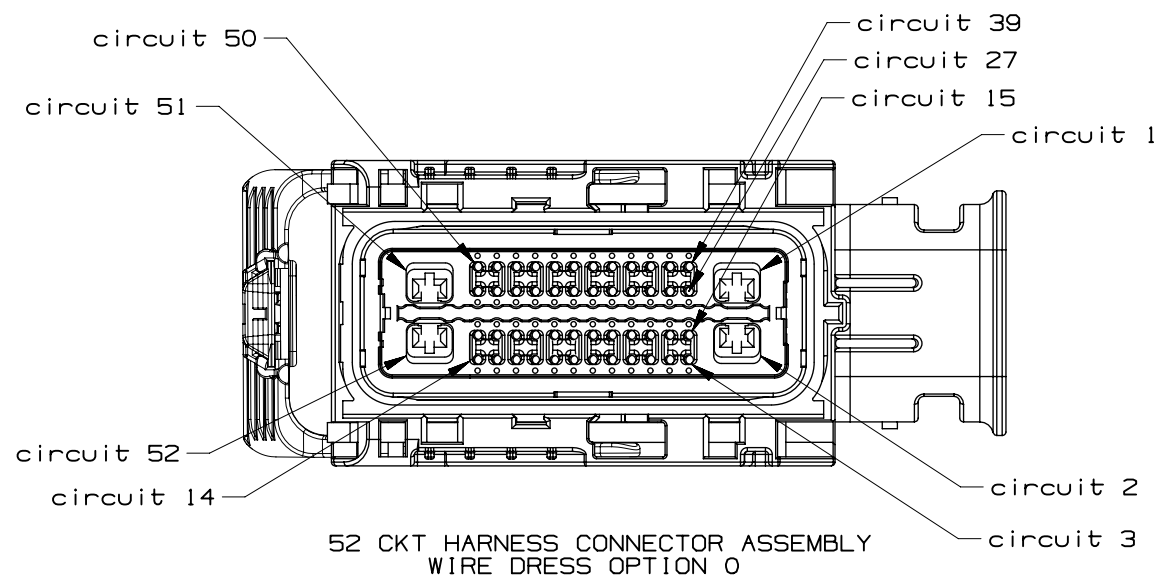
SECTION D - D
80 CKT HARNESS CONNECTOR ASSEMBLY
KEY OPTION K SHOWN

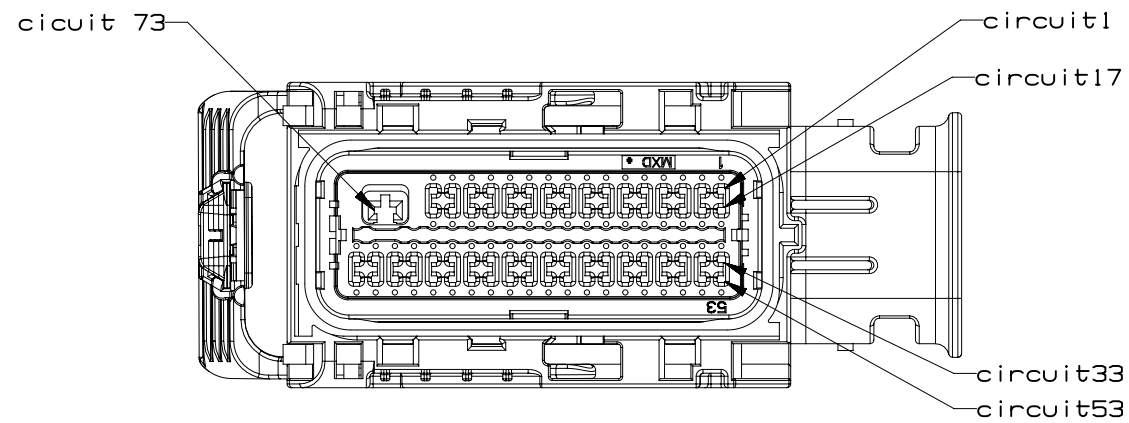


PAGE TITLE
KEY ID REF - WIRE DRESS OPTION 9

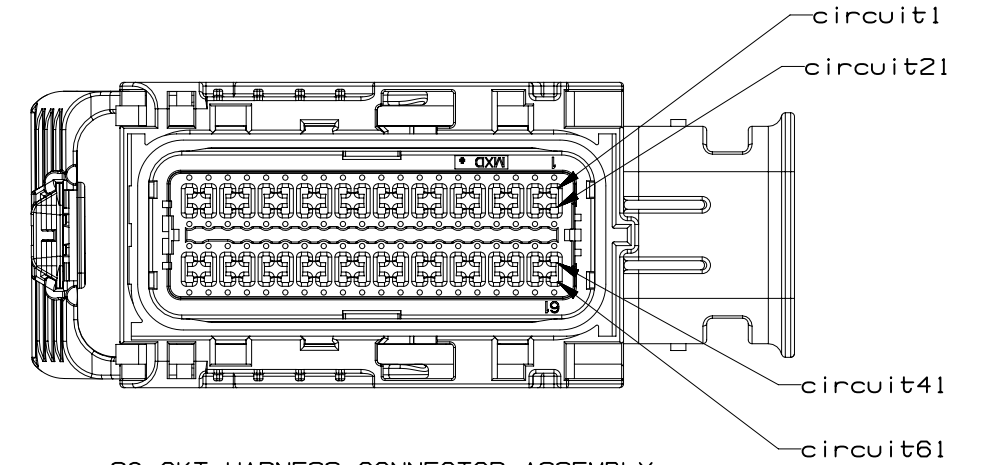
DRAWING NUMBER
12672833

DWG STATUS			PAGE NUMBER
ST	REV	PD1	
R	001		12 OF 22



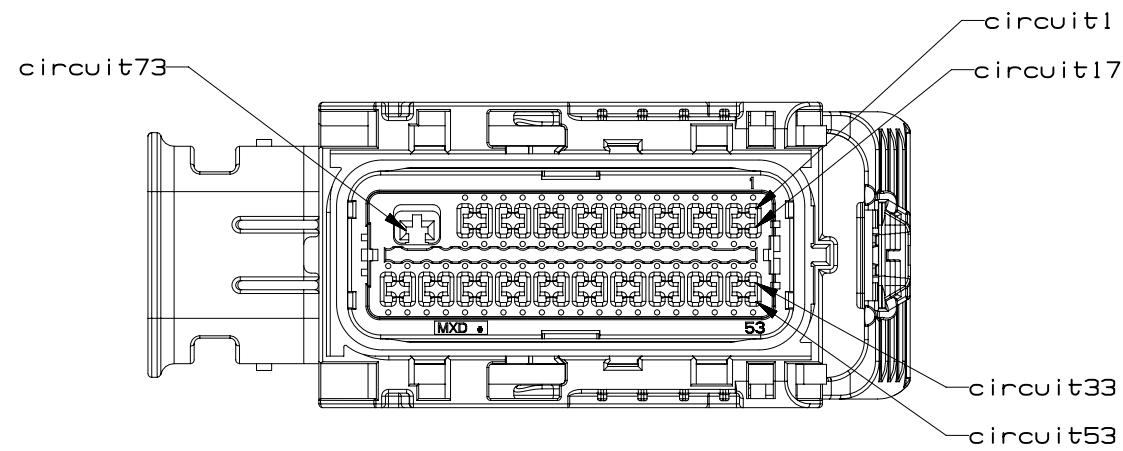


73 CKT HARNESS CONNECTOR ASSEMBLY
WIRE DRESS OPTION 0

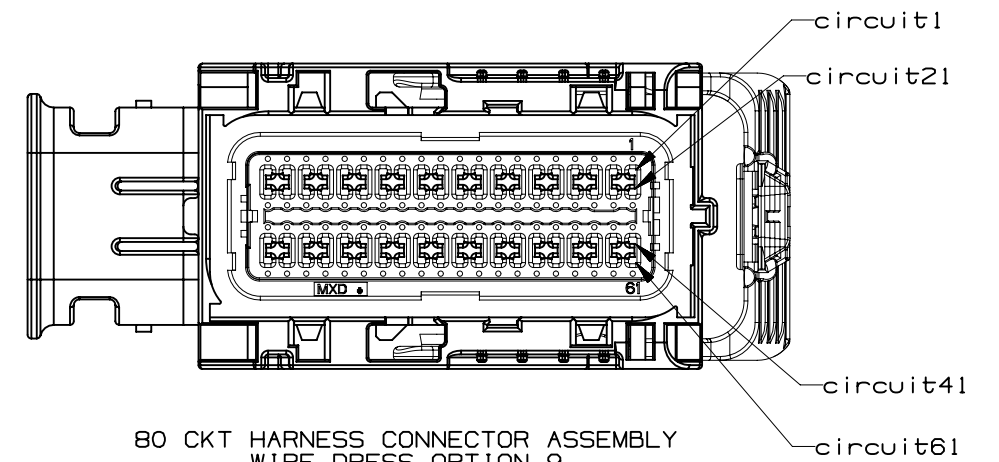


80 CKT HARNESS CONNECTOR ASSEMBLY
WIRE DRESS OPTION 0

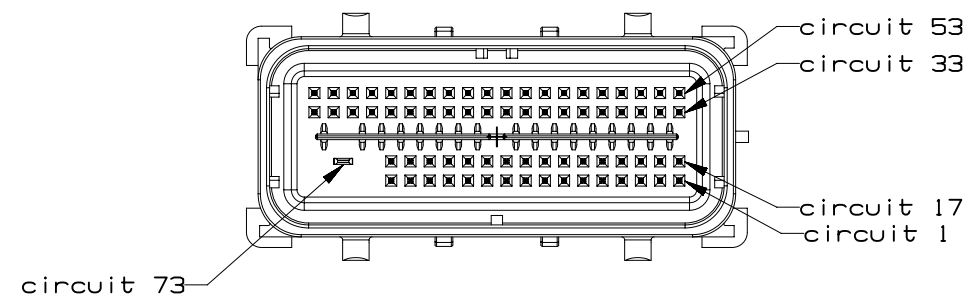
INTERFACE SIDE SHOWN ON ALL VIEWS



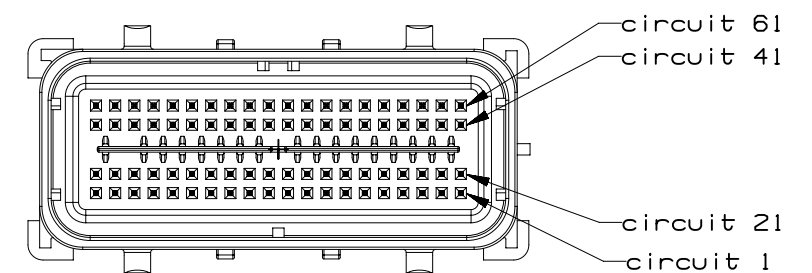
73 CKT HARNESS CONNECTOR ASSEMBLY
WIRE DRESS OPTION 9



80 CKT HARNESS CONNECTOR ASSEMBLY
WIRE DRESS OPTION 9

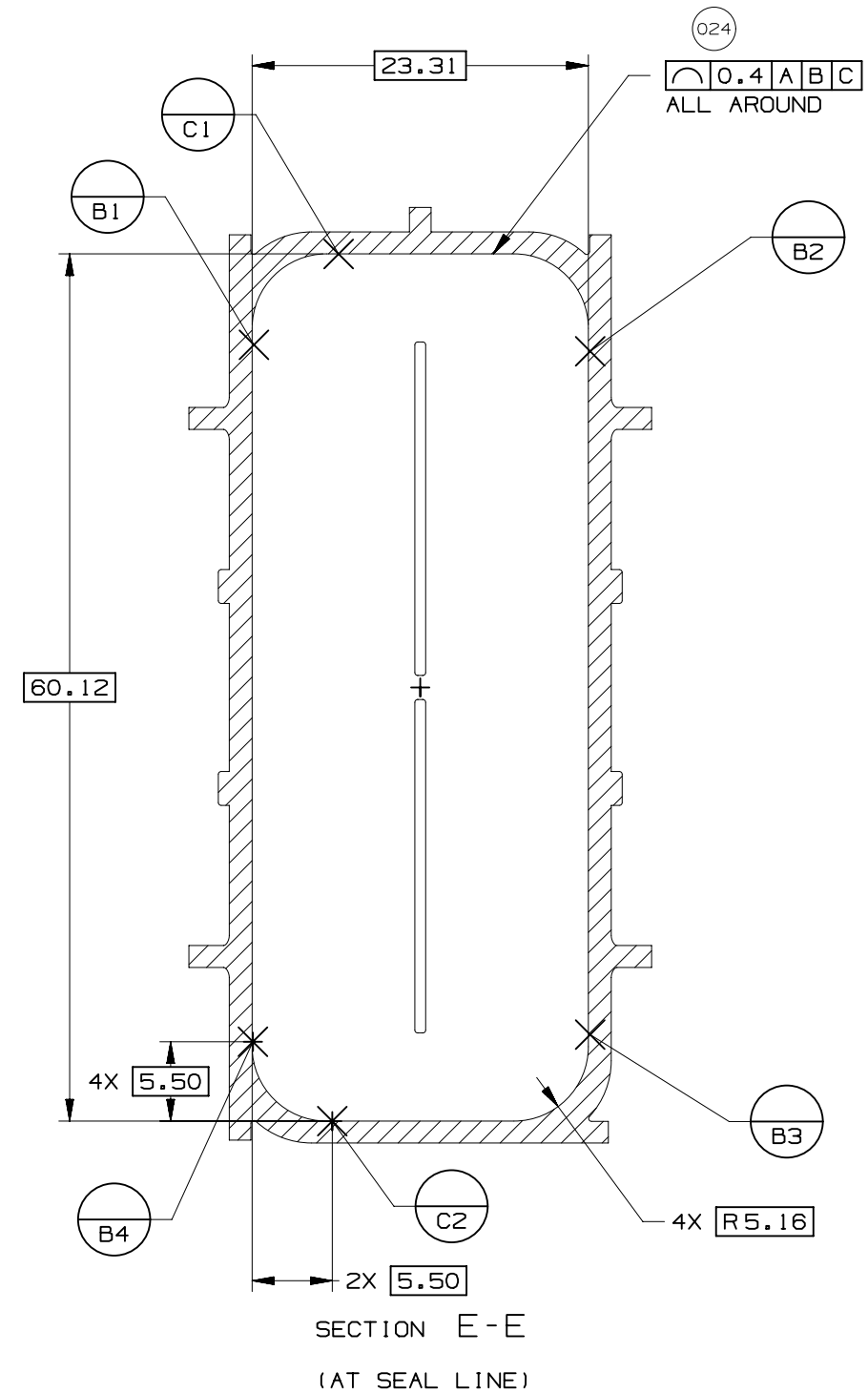
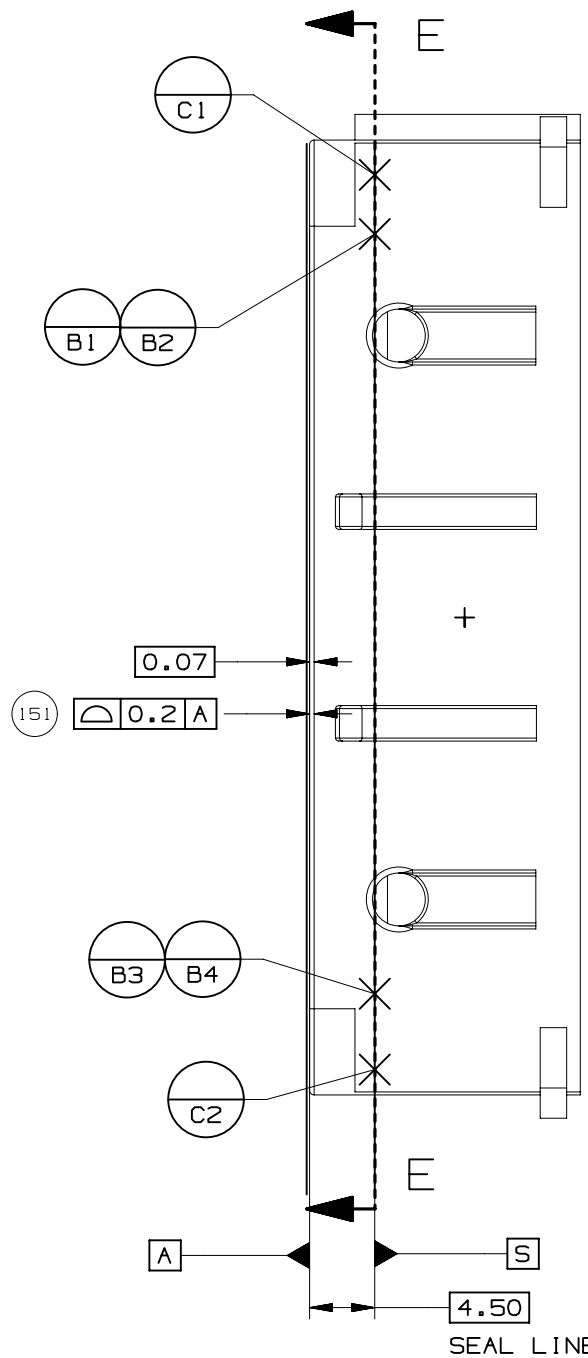
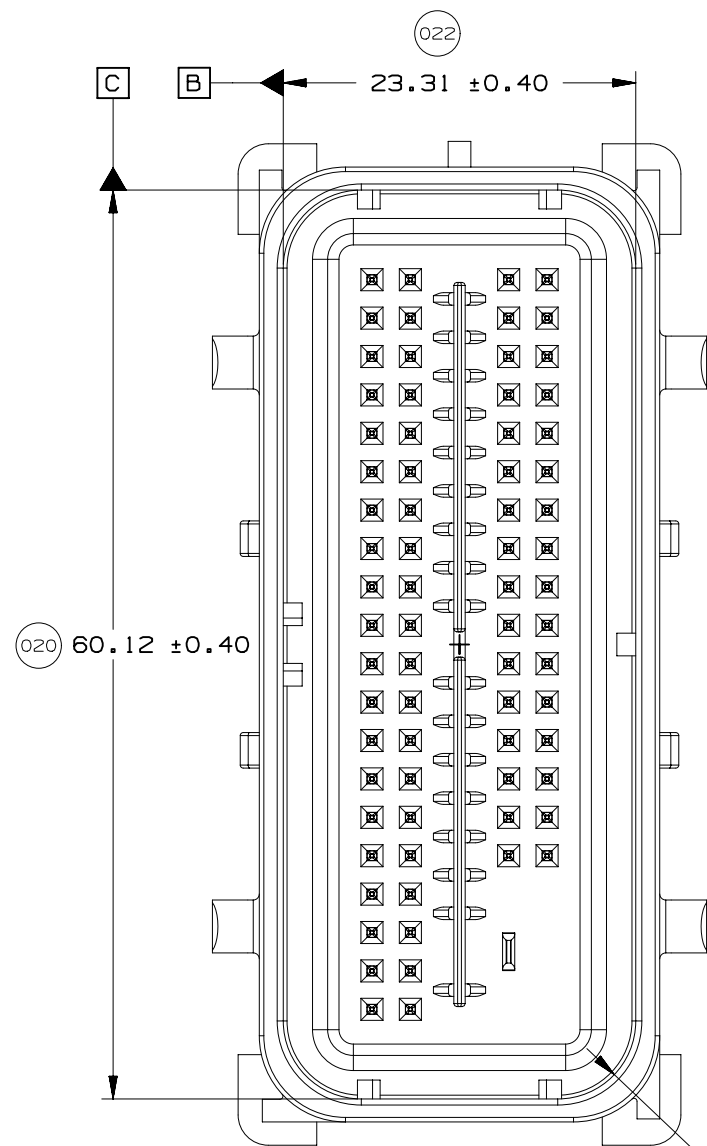
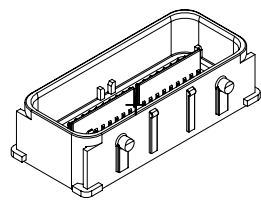


73 CKT COMPONENT CONNECTOR INTERFACE



80 CKT COMPONENT CONNECTOR INTERFACE





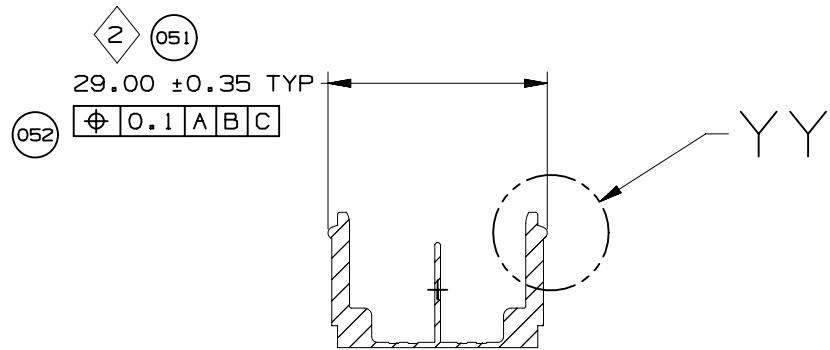
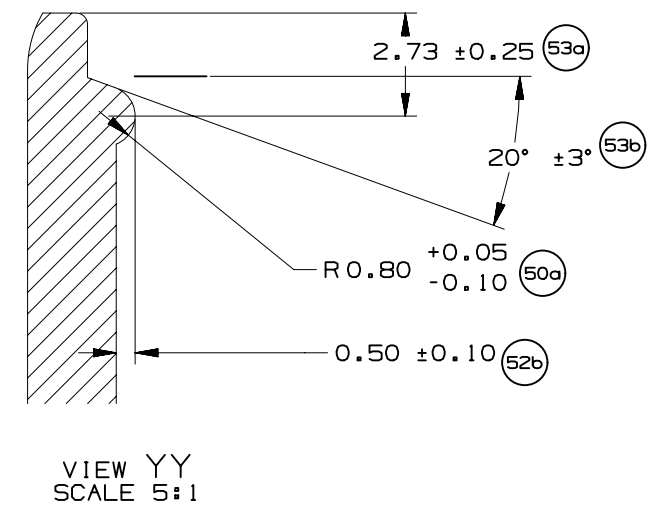
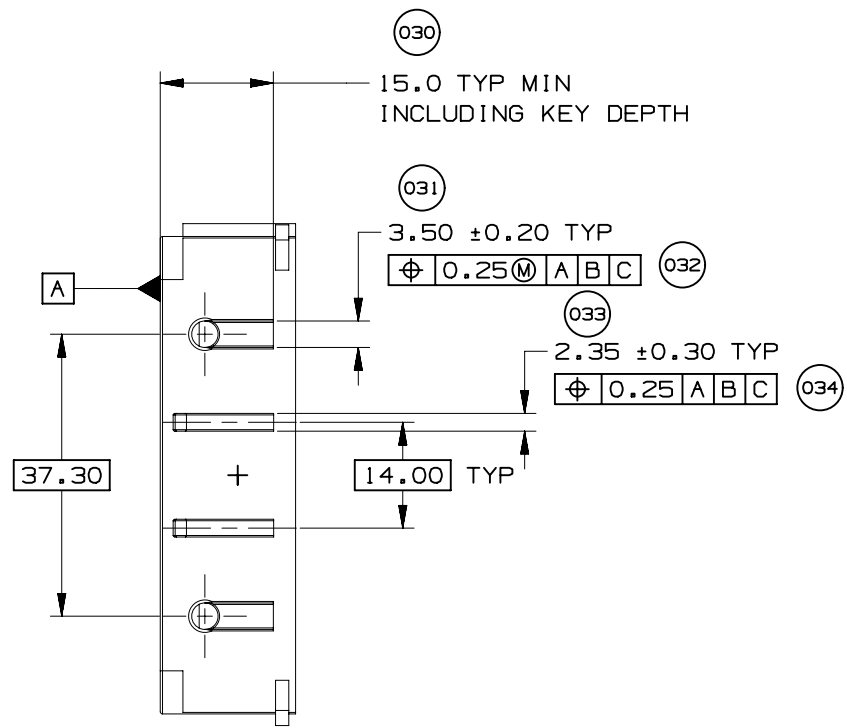
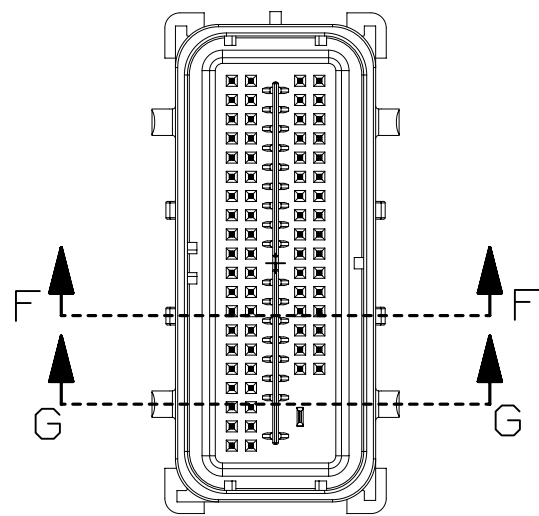
UNLESS SPECIFIED, TOLERANCE OF THE COMPONENT CONNECTOR INTERFACE TO BE $\sqrt{0.13 A B C}$



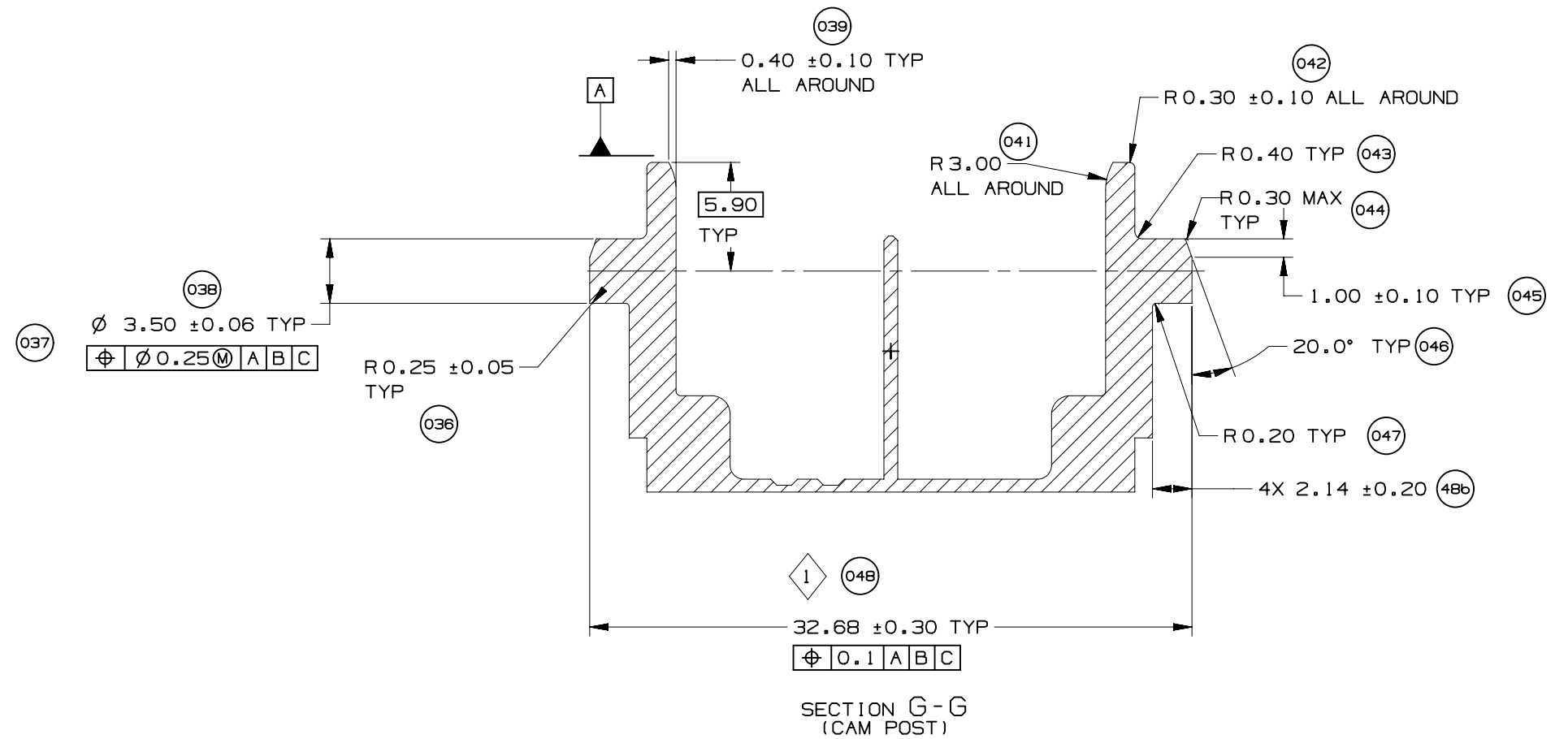
PAGE TITLE
COMPONENT CONNECTOR INTERFACE

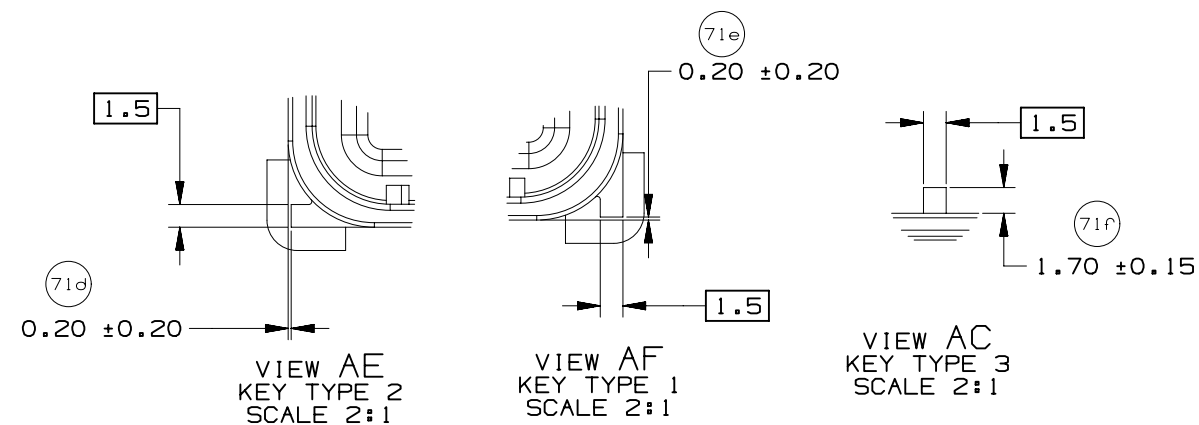
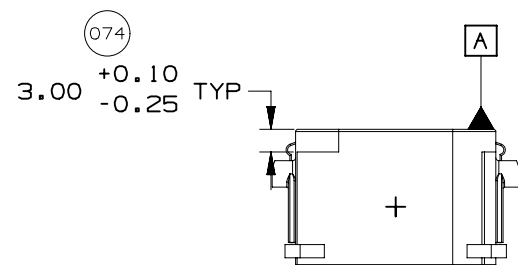
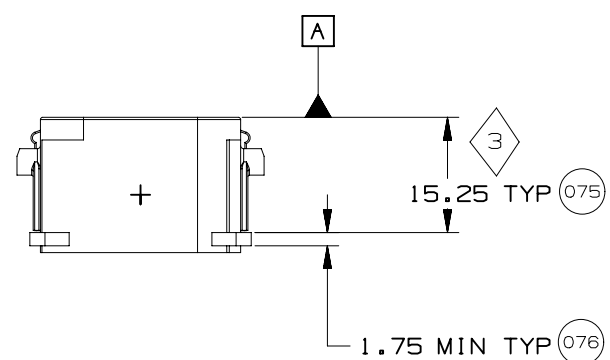
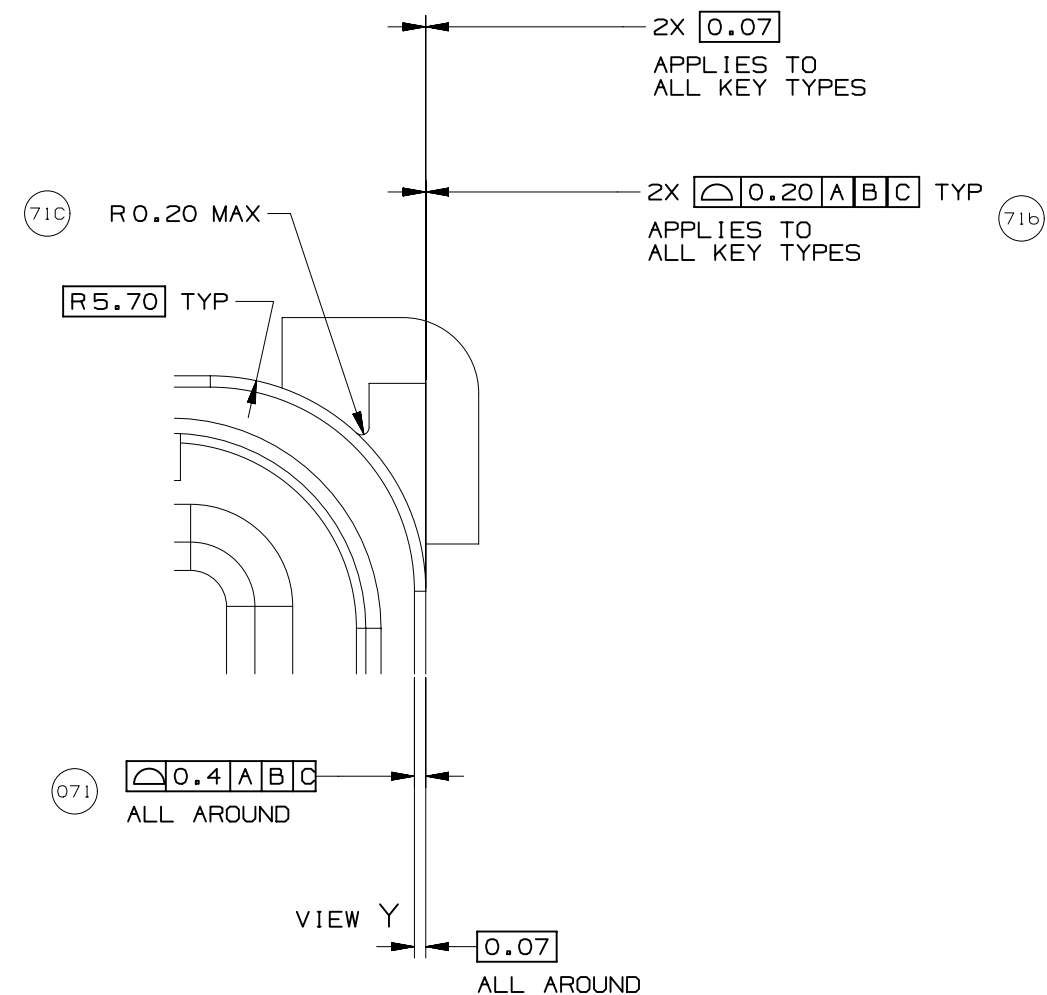
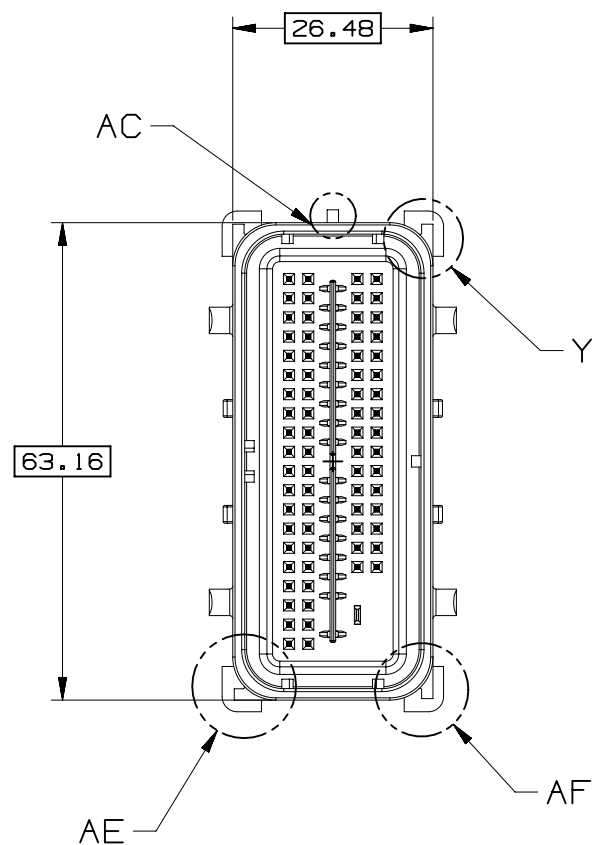
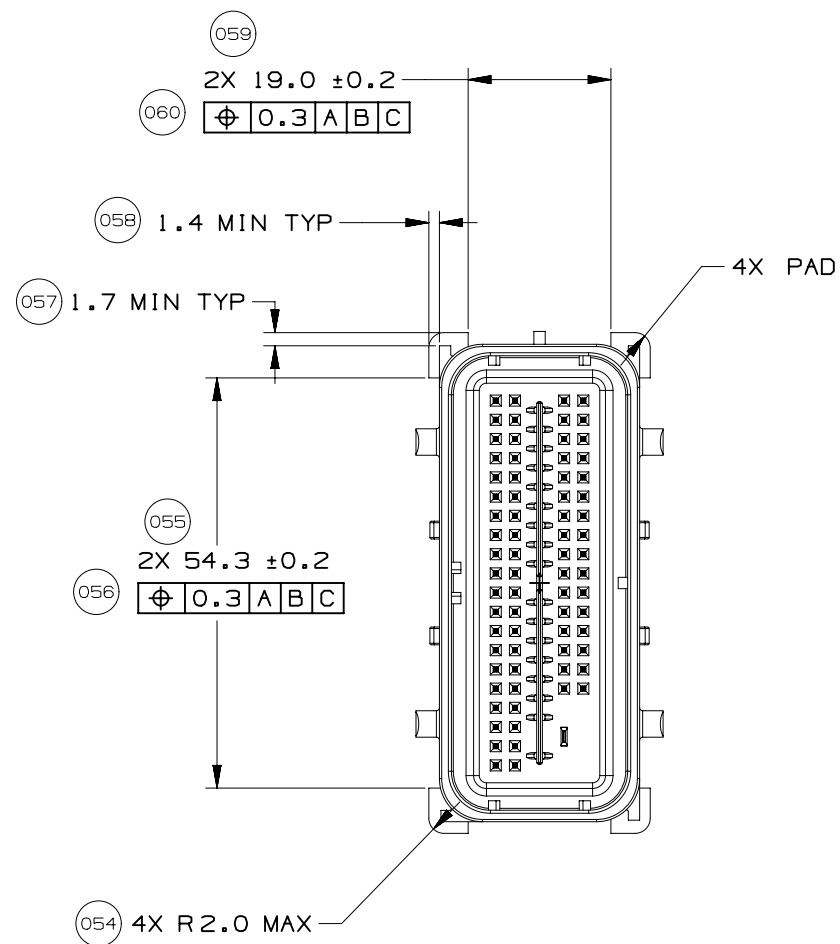
DRAWING NUMBER
12672833

DWG STATUS			PAGE NUMBER
ST	REV	PD1	
R	001		15 OF 22



SECTION F-F
(RELEASE FEATURE)

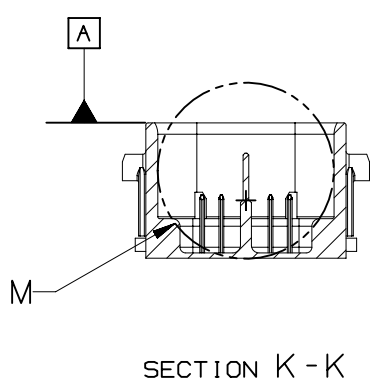
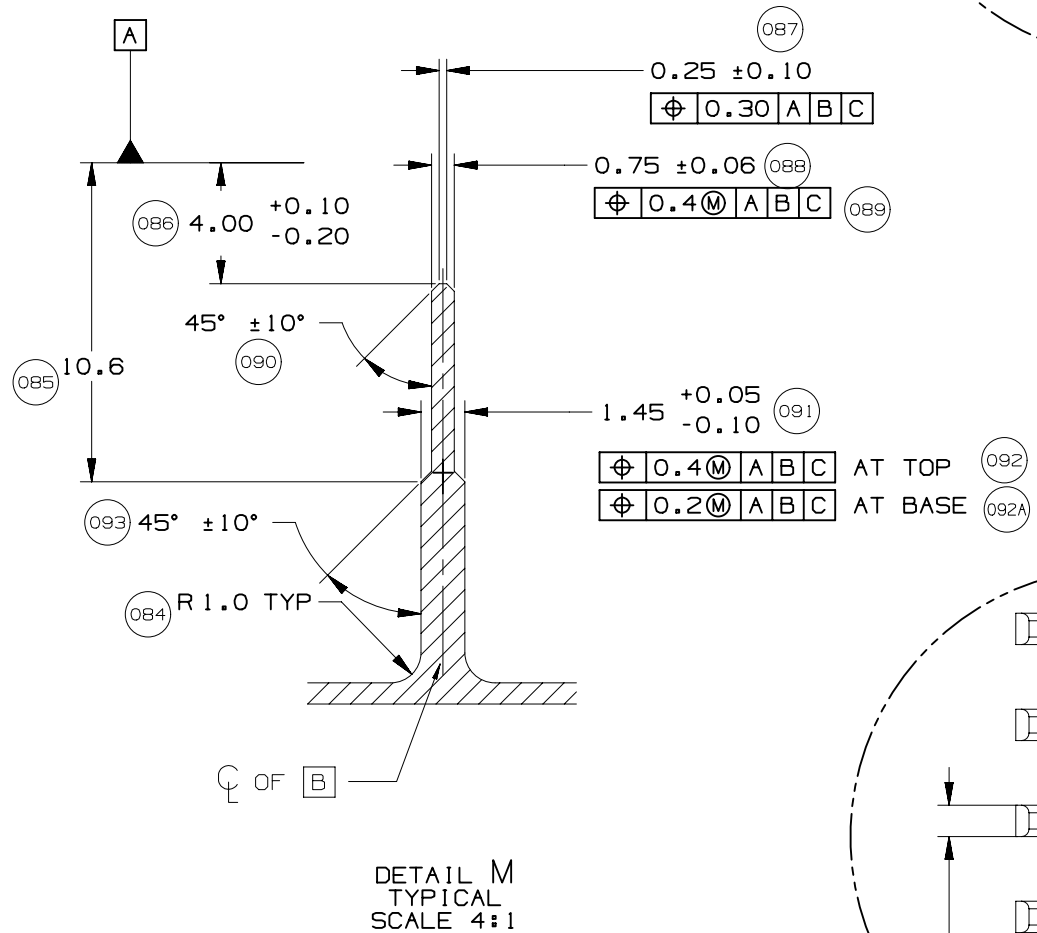
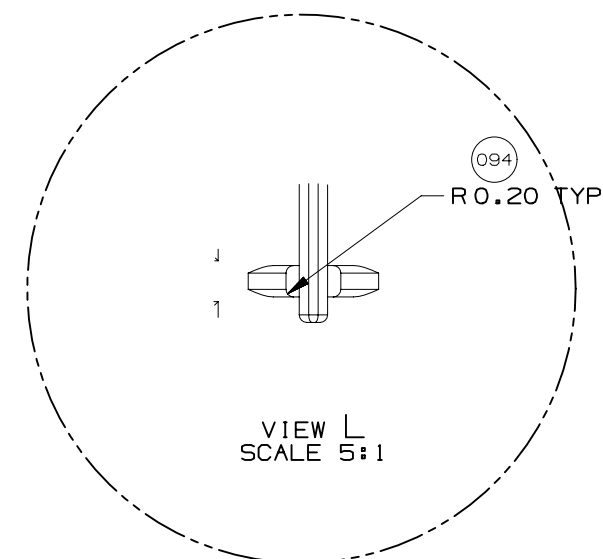
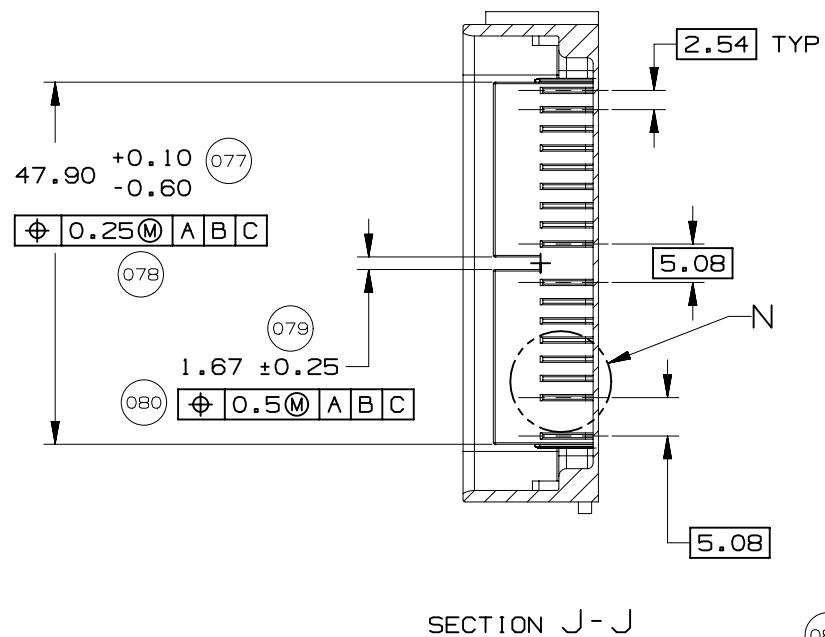
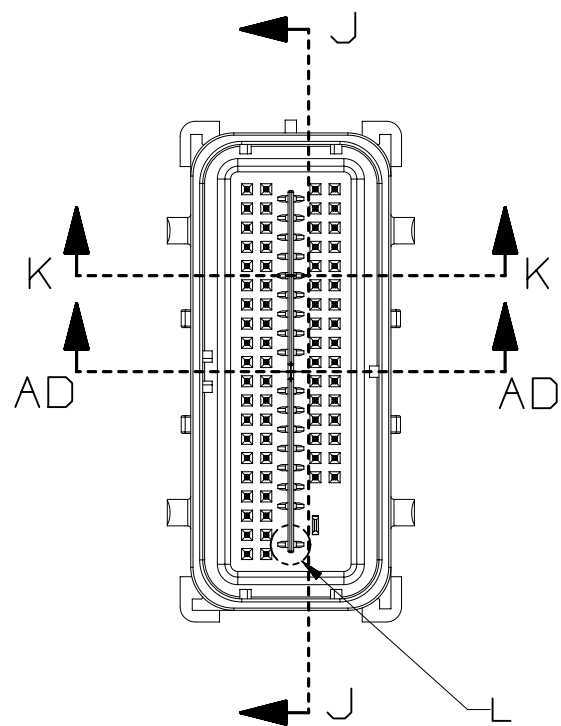




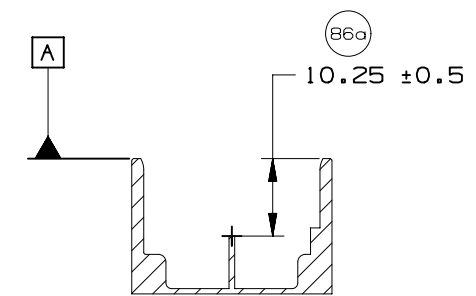
PAGE TITLE
 COMPONENT CONNECTOR INTERFACE

DRAWING NUMBER
 12672833

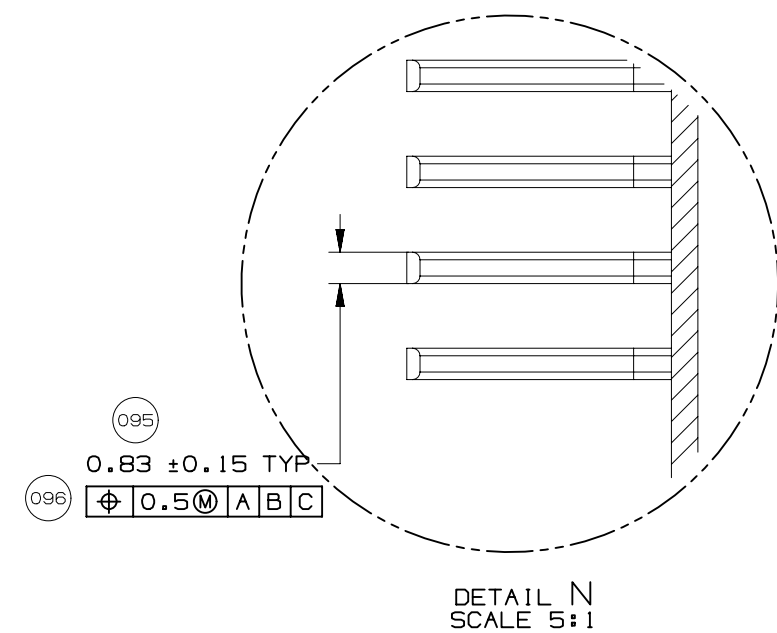
DWG STATUS			PAGE NUMBER	
ST	REV	PD1		
R	001		17	OF 22



SECTION K-K



SECTION AD-AD



DETAIL N
SCALE 5:1

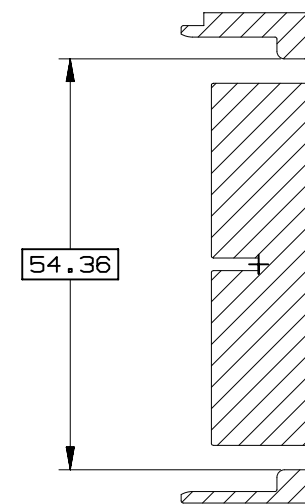
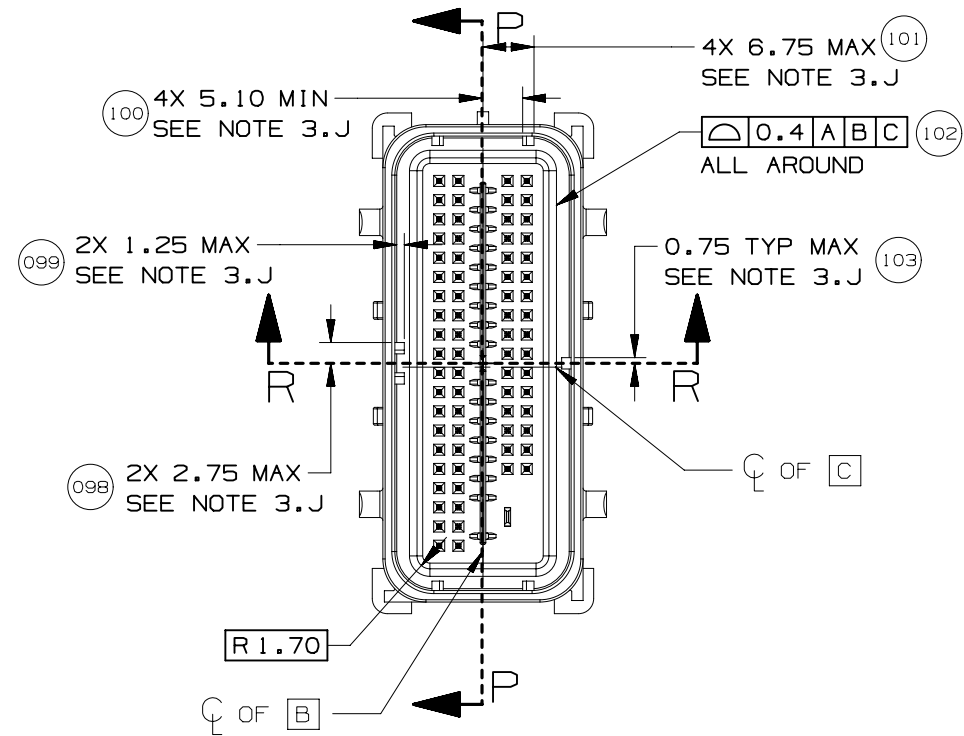


PAGE TITLE
COMPONENT CONNECTOR INTERFACE

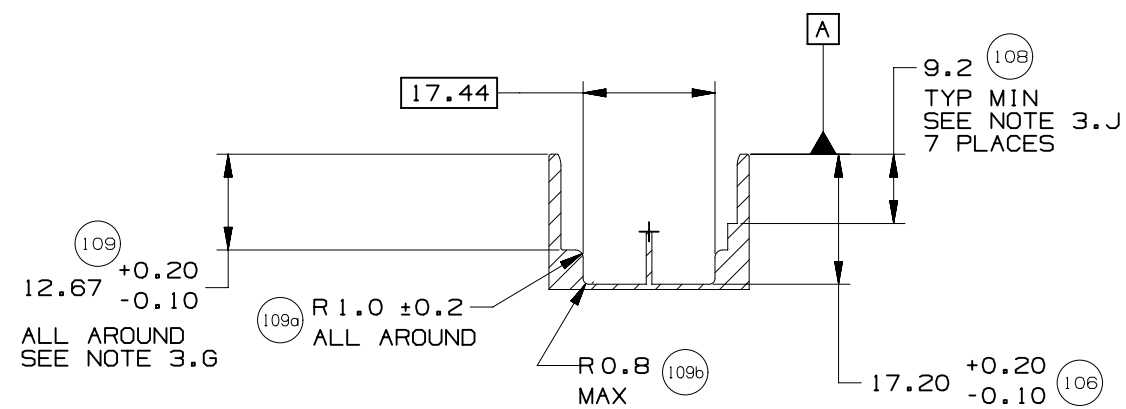
DRAWING NUMBER
12672833

DWG STATUS		
ST	REV	PD1
R	001	

PAGE NUMBER
18 OF 22



SECTION P-P



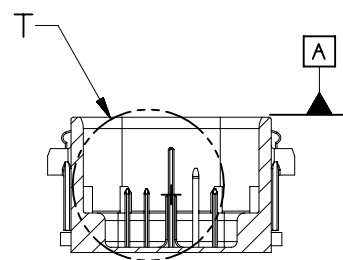
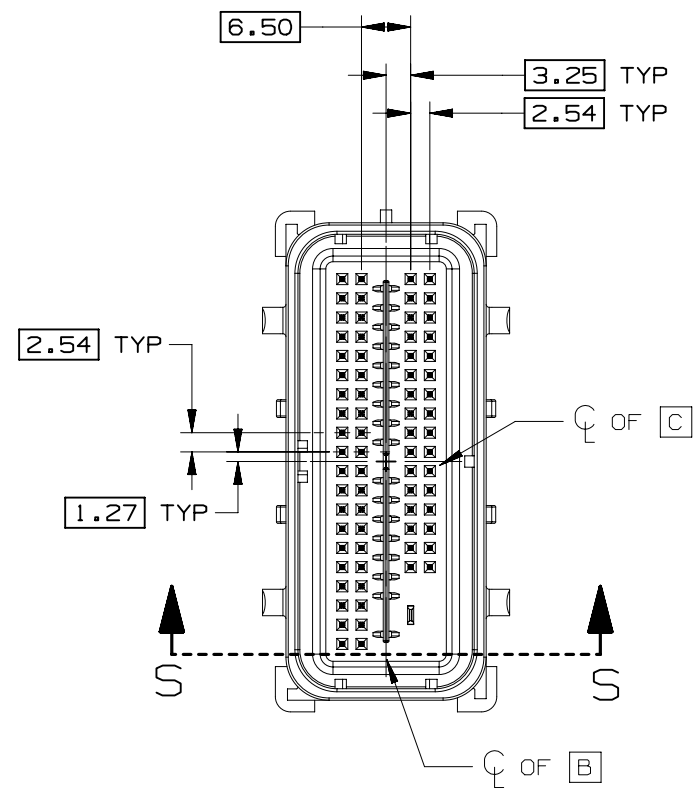
SECTION R-R



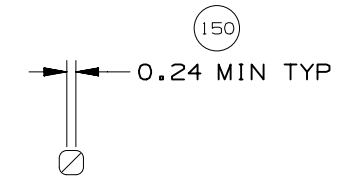
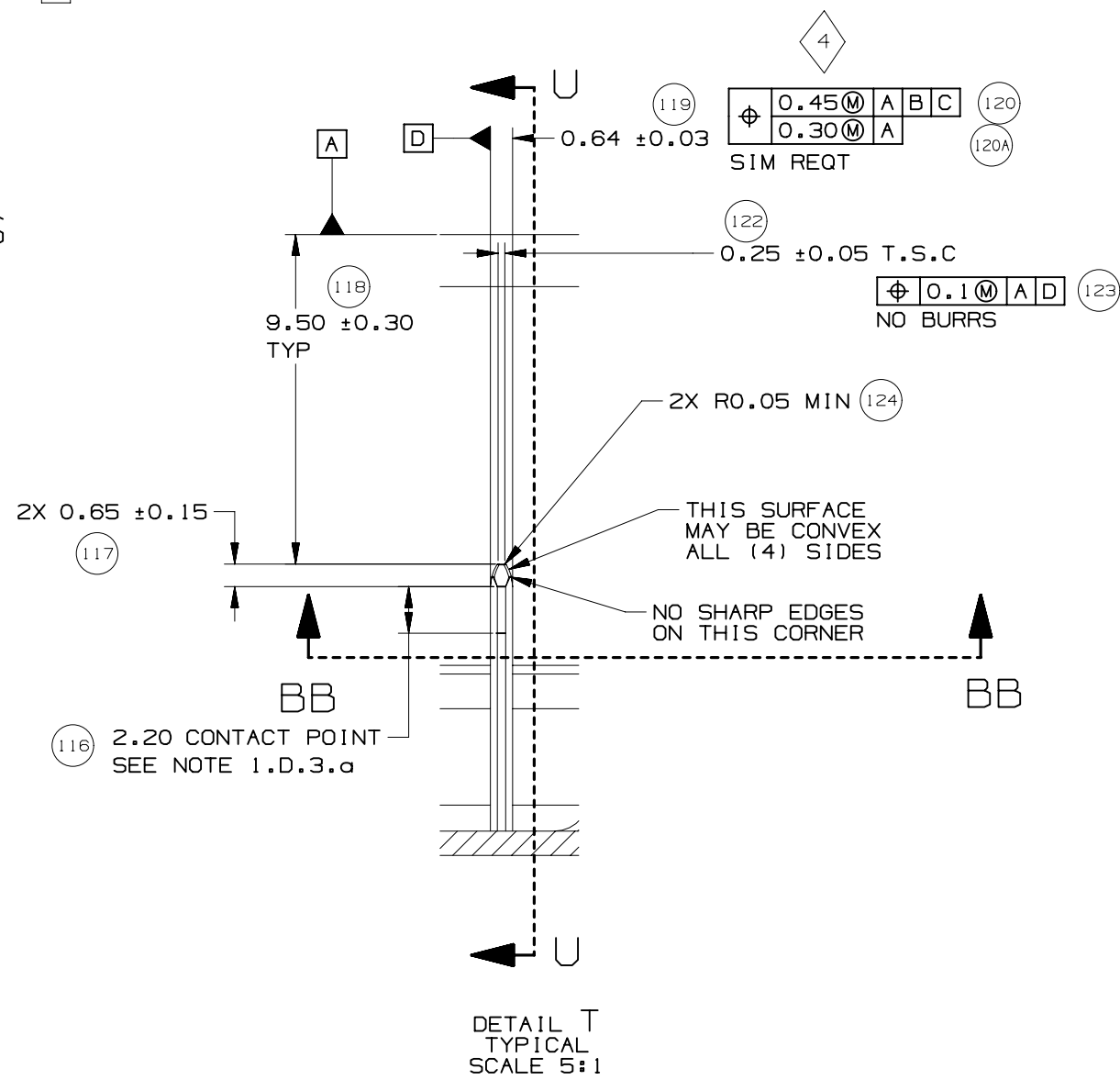
PAGE TITLE
COMPONENT CONNECTOR INTERFACE

DRAWING NUMBER
12672833

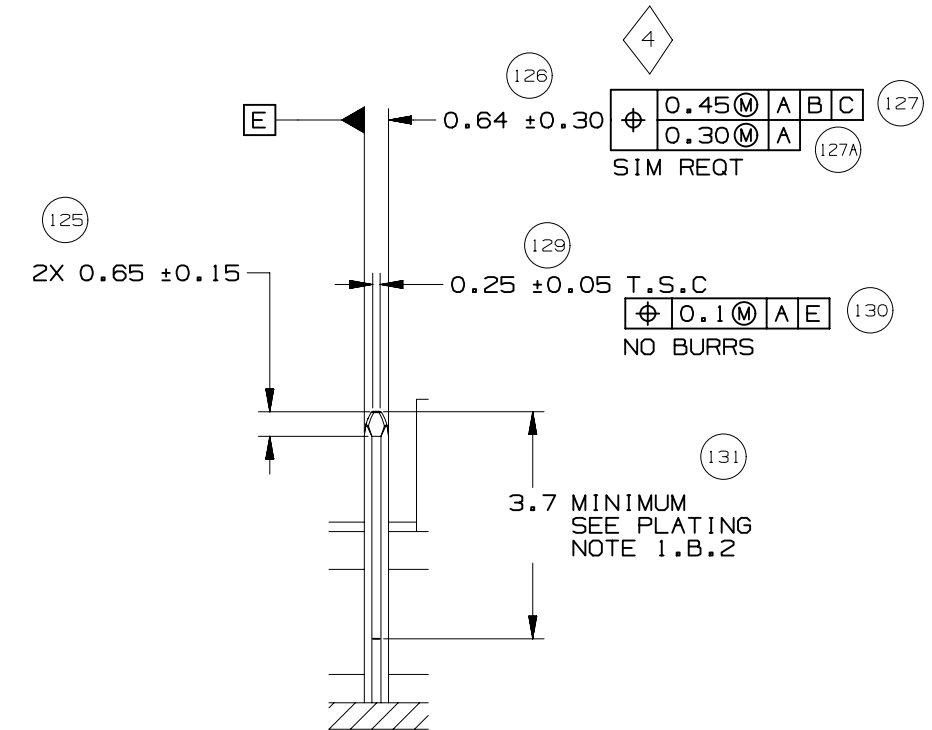
DWG STATUS			PAGE NUMBER	
ST	REV	PD1	19	OF 22
R	001			



SECTION S-S

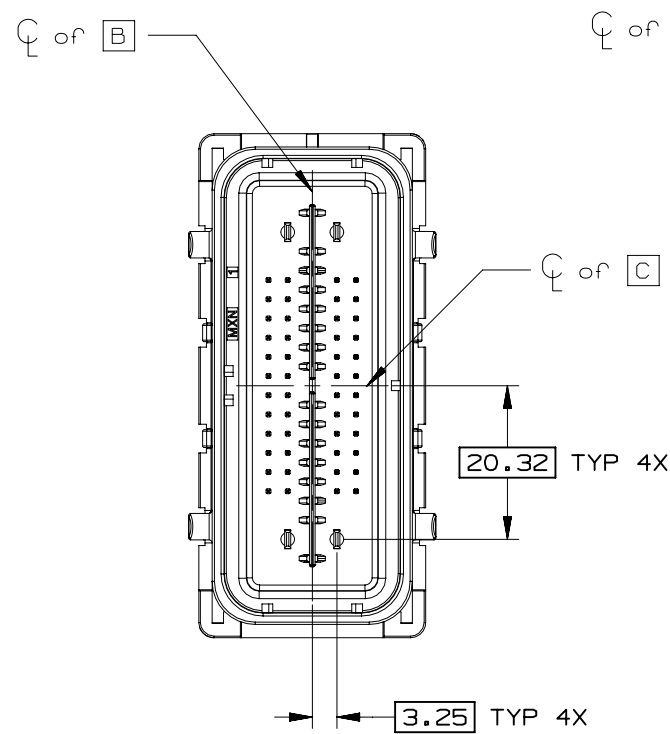


SECTION BB-BB

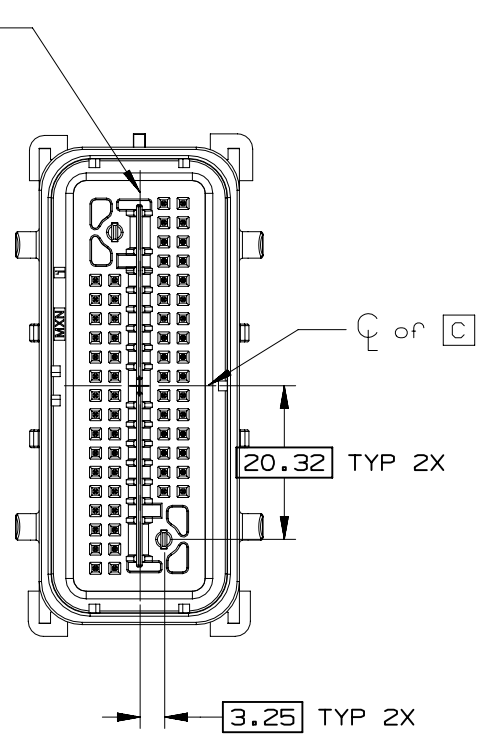


SECTION U-U TYPICAL

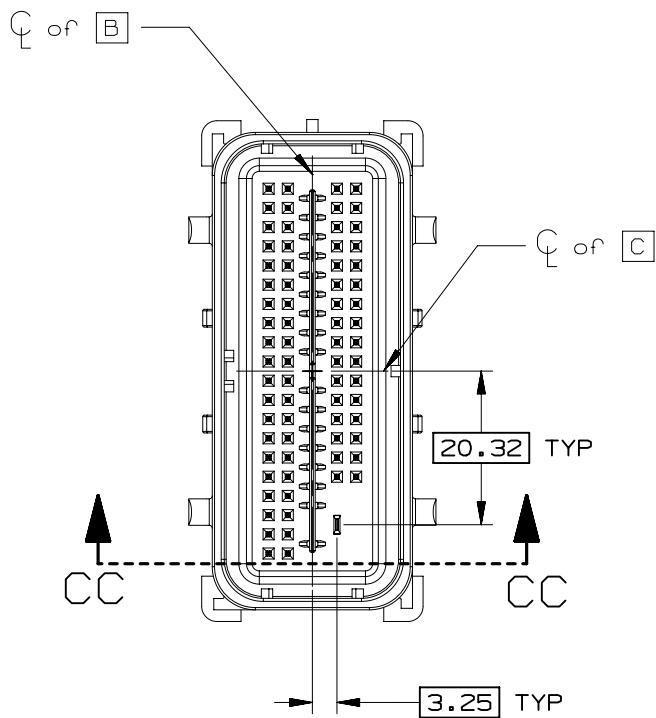




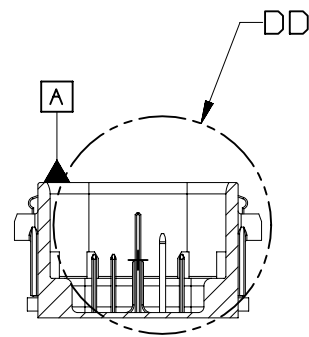
52 CKT COMPONENT
CONNECTOR INTERFACE



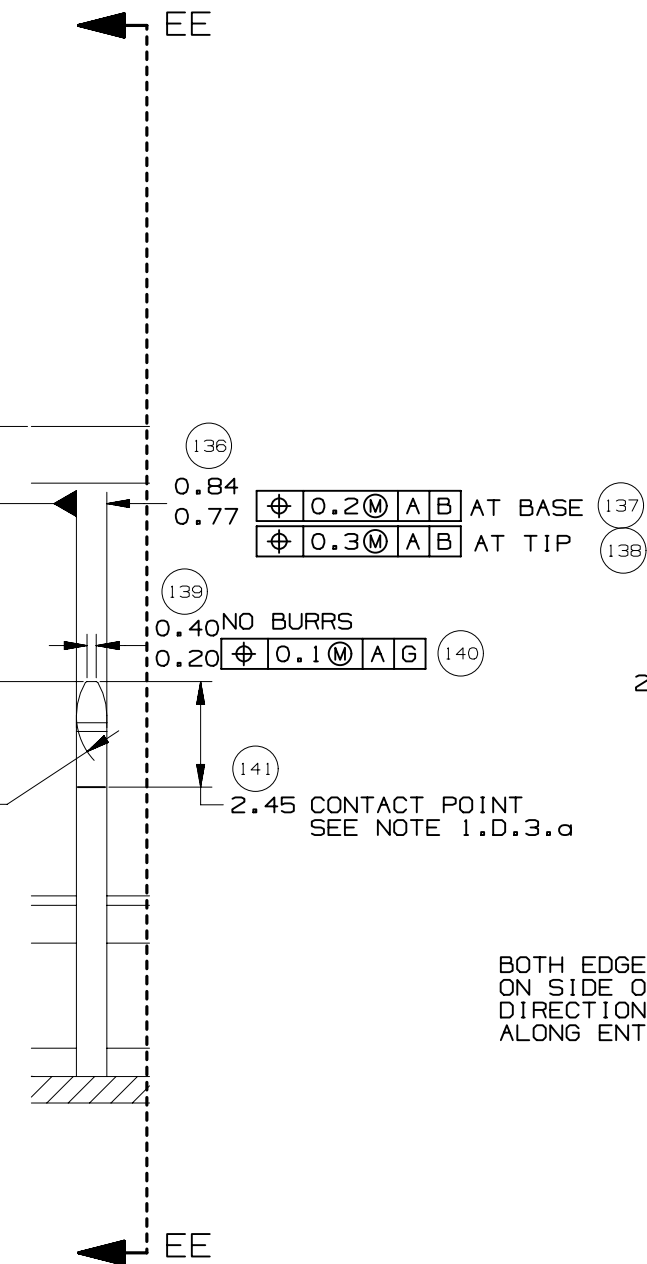
66 CKT COMPONENT
CONNECTOR INTERFACE



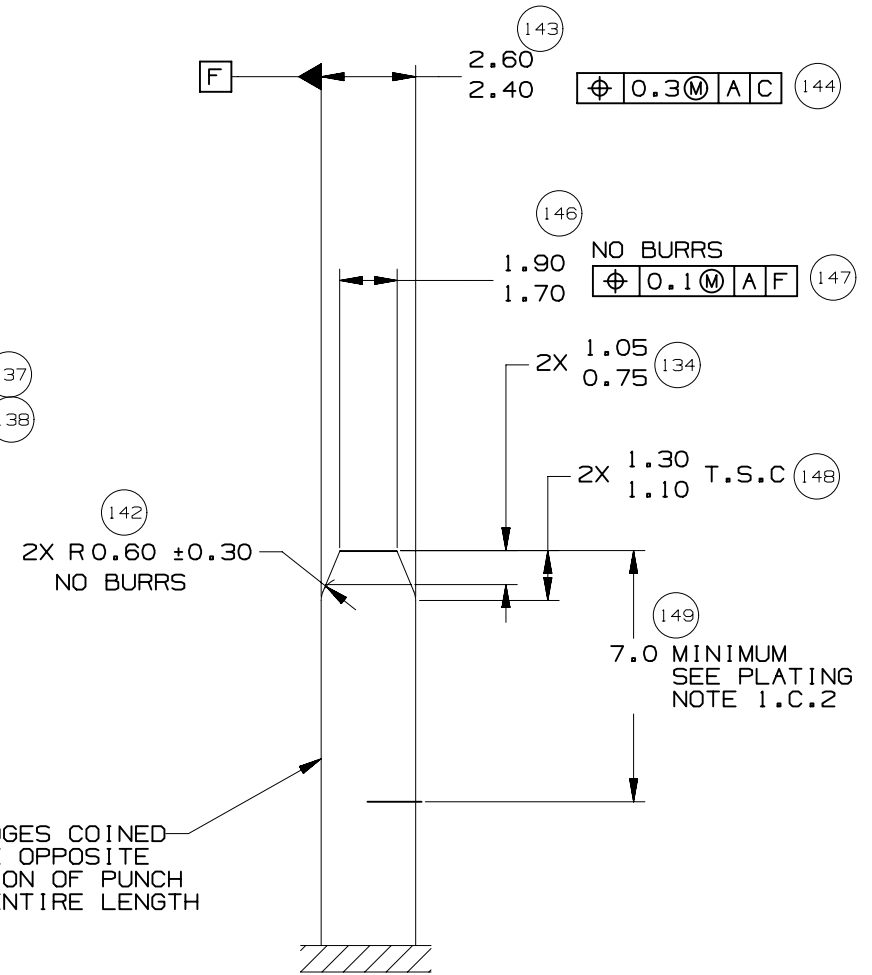
73 CKT COMPONENT
CONNECTOR INTERFACE



SECTION CC-CC



DETAIL DD
TYPICAL
SCALE 5:1



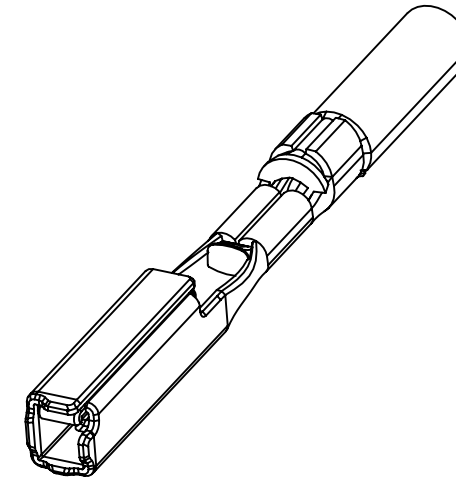
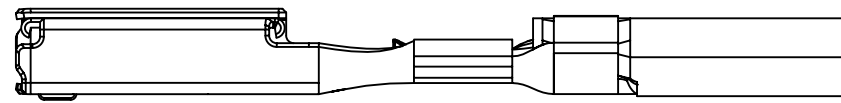
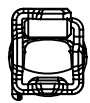
SECTION EE-EE
TYPICAL

BOTH EDGES COINED
ON SIDE OPPOSITE
DIRECTION OF PUNCH
ALONG ENTIRE LENGTH



MOLEX MX64 RECEPTACLE TERMINAL INFORMATION

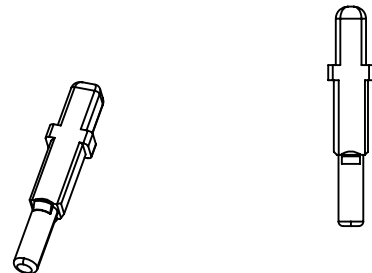
ITEM	MOLEX P/N	GM P/N	WIRE SIZE MM2	TYPE	PLATING	REEL WIND DIRECTION	COMMENTS
1	34736-0025		0.35	ISO	SILVER	LEFT	
2	34736-0026	12672850	0.35	ISO	SILVER	RIGHT	
3	34736-0027		0.5 / 0.75	ISO	SILVER	LEFT	
4	34736-0028	12672851	0.5 / 0.75	ISO	SILVER	RIGHT	



CAVITY PLUGS

ITEM	MFG	MFG P/N	GM P/N RD	SIZE	COLOR	MFG DRAWING	PROD SPEC	APP SPEC	COMMENTS
1	MOLEX	34586-0001	12674820	0.64	NATURAL	SD-34586-001	PS-34566-0000	AS-34566-001	
2	YAZAKI	7158-3114-90	12674821	2.8	BLUE	7158-3114-90	YPES-11-04-062	YPES-15-299	

ITEM 1



ITEM 2



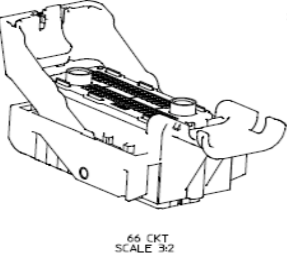
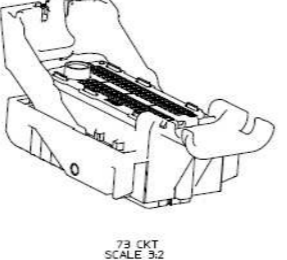
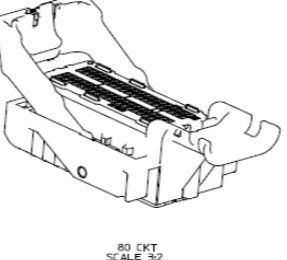
PAGE TITLE
ADDITIONAL COMPONENTS REQUIRED

DRAWING NUMBER
12672833

DWG STATUS		
ST	REV	PDI
R	001	

PAGE NUMBER
22 OF 22

MX123 52/66/73/80-WAY RECEPTACLE ASSY SEALED PIN OUT SHEET

UNCHECKED cavity number(s) are OPEN																						
72	71	70	69	68	67	66	65	64	63	62	61	60	59	58	57	56	55	54	53			
✓	✓	✓	✓	✓	✓	✓	✓	✓	✓	✓	✓	✓	✓	✓	✓	✓	✓	✓	✓	✓	✓	
52	51	50	49	48	47	46	45	44	43	42	41	40	39	38	37	36	35	34	33			
✓	✓	✓	✓	✓	✓	✓	✓	✓	✓	✓	✓	✓	✓	✓	✓	✓	✓	✓	✓	✓	✓	
			32	31	30	29	28	27	26	25	24	23	22	21	20	19	18	17				
			✓	✓	✓	✓	✓	✓	✓	✓	✓	✓	✓	✓	✓	✓	✓	✓	✓	✓	✓	
73																						
✓	✓	✓	✓	✓	✓	✓	✓	✓	✓	✓	✓	✓	✓	✓	✓	✓	✓	✓	✓	✓	✓	

FOR ADDITIONAL INFORMATION SEE SD-34566-001

STATUS	GM PART #	HRNS CONN ASSY				TPA	GROMMET CAP																						
		MATERIAL/PART	WIRE DRESS OPTION	KEY OPTION	COLOR OPTION	NUMBERS INDICATE CAVITIES OPEN FOR CIRCUITS																							
		NUMBER		▽ Fp	▽ Fp	▽ Fp																							
SALEABLE	12672860	34566-0103	0	A	BLACK																								
SALEABLE	12672862	34566-0203	0	B	ST GRY	72	71	70	69	68	67	66	65	64	63	62	61	60	59	58	57	56	55	54	53				
SALEABLE	12672864	34566-0303	0	C	BLUE	52	51	50	49	48	47	46	45	44	43	42	41	40	39	38	37	36	35	34	33				
TOOL DES. REL.	12615660	34566-0403	0	D	BROWN	73				32	31	30	29	28	27	26	25	24	23	22	21	20	19	18	17				
TOOL DES. REL.	12615661	34566-0503	0	E	GREEN	73				16	15	14	13	12	11	10	9	8	7	6	5	4	3	2	1				
SALEABLE	12672866	34566-0603	0	F	NATURAL																								
SALEABLE	12672872	34566-0703	0	G	BLUE																								
SALEABLE	12672870	34566-0803	0	H	ST GRY	80	79	78	77	76	75	74	73	72	71	70	69	68	67	66	65	64	63	62	61				
TOOL DES. REL.	12672868	34566-0903	0	J	BLACK	60	61	62	63	64	65	66	67	68	69	70	71	72	73	74	75	76	77	78	79				
TOOL DES. REL.	TBD	34566-1003	0	K	BROWN	40	39	38	37	36	35	34	33	32	31	30	29	28	27	26	25	24	23	22	21				
TOOL DES. REL.	TBD	34566-1103	0	L	GREEN	20	19	18	17	16	15	14	13	12	11	10	9	8	7	6	5	4	3	2	1				
TOOL DES. REL.	TBD	34566-1203	0	M	NATURAL																								
SALEABLE	12672861	34566-1303	9	A	BLACK																								
SALEABLE	12672863	34566-1403	9	B	ST GRY	72	71	70	69	68	67	66	65	64	63	62	61	60	59	58	57	56	55	54	53				
SALEABLE	12672865	34566-1503	9	C	BLUE	52	51	50	49	48	47	46	45	44	43	42	41	40	39	38	37	36	35	34	33				
TOOL DES. REL.	12615663	34566-1603	9	D	BROWN	73				32	31	30	29	28	27	26	25	24	23	22	21	20	19	18	17				
TOOL DES. REL.	12615664	34566-1703	9	E	GREEN	73				16	15	14	13	12	11	10	9	8	7	6	5	4	3	2	1				
SALEABLE	12672867	34566-1803	9	F	NATURAL																								
SALEABLE	12672873	34566-1903	9	G	BLUE																								
SALEABLE	12672871	34566-2003	9	H	ST GRY	80	79	78	77	76	75	74	73	72	71	70	69	68	67	66	65	64	63	62	61				
TOOL DES. REL.	12672869	34566-2103	9	J	BLACK	60	61	62	63	64	65	66	67	68	69	70	71	72	73	74	75	76	77	78	79				
TOOL DES. REL.	TBD	34566-2203	9	K	BROWN	40	39	38	37	36	35	34	33	32	31	30	29	28	27	26	25	24	23	22	21				
TOOL DES. REL.	TBD	34566-2303	9	L	GREEN	20	19	18	17	16	15	14	13	12	11	10	9	8	7	6	5	4	3	2	1				
TOOL DES. REL.	TBD	34566-2403	9	M	NATURAL																								
SALEABLE	12672856	34822-0013	0	A	BLACK	64	63	62	61	60	59	58	57	56	55	54	53	52	51	50	49	66							
SALEABLE	12672858	34822-0033	0	C	BLUE	65				32	31	30	29	28	27	26	25	24	23	22	21	20	19	18	17				
						16	15	14	13	12	11	10	9	8	7	6	5	4	3	2	1								
SALEABLE	12672857	34822-0023	9	A	BLACK	64	63	62	61	60	59	58	57	56	55	54	53	52	51	50	49	66							
						48	47	46	45	44	43	42	41	40	39	38	37	36	35	34	33								
SALEABLE	12672859	34822-0043	9	C	BLUE	65				32	31	30	29	28	27	26	25	24	23	22	21	20	19	18	17				
						16	15	14	13	12	11	10	9	8	7	6	5	4	3	2	1								

MX123 52/66/73/80-WAY RECEPTACLE ASSY SEALED PIN OUT SHEET

STATUS	GM PART #	HRNS CONN ASSY			TPA	GROMMET CAP																																																																																			
		MATERIAL/PART	WIRE DRESS OPTION	KEY OPTION ▽ Fp	COLOR OPTION ▽ Fp	NUMBERS INDICATE CAVITIES OPEN FOR CIRCUITS ▽ Fp																																																																																			
		NUMBER																																																																																							
TOOL DES. REL.	12672852	160094-0001	0	A	BLACK	<table border="1"> <tr><td>52</td><td>14</td><td>13</td><td>12</td><td>11</td><td>10</td><td>9</td><td>8</td><td>7</td><td>6</td><td>5</td><td>4</td><td>3</td><td colspan="4">2</td></tr> <tr><td></td><td>26</td><td>25</td><td>24</td><td>23</td><td>22</td><td>21</td><td>20</td><td>19</td><td>18</td><td>17</td><td>16</td><td>15</td><td colspan="4"></td></tr> <tr><td>51</td><td>38</td><td>37</td><td>36</td><td>35</td><td>34</td><td>33</td><td>32</td><td>31</td><td>30</td><td>29</td><td>28</td><td>27</td><td colspan="4">1</td></tr> <tr><td></td><td>50</td><td>49</td><td>48</td><td>47</td><td>46</td><td>45</td><td>44</td><td>43</td><td>42</td><td>41</td><td>40</td><td>39</td><td colspan="4"></td></tr> </table>																52	14	13	12	11	10	9	8	7	6	5	4	3	2					26	25	24	23	22	21	20	19	18	17	16	15					51	38	37	36	35	34	33	32	31	30	29	28	27	1					50	49	48	47	46	45	44	43	42	41	40	39				
52	14	13	12	11	10																	9	8	7	6	5	4	3	2																																																												
	26	25	24	23	22																	21	20	19	18	17	16	15																																																													
51	38	37	36	35	34																	33	32	31	30	29	28	27	1																																																												
	50	49	48	47	46																	45	44	43	42	41	40	39																																																													
TOOL DES. REL.	N/A	160094-0002	0	B	ST GRAY																																																																																				
TOOL DES. REL.	12672854	160094-0003	0	C	BLUE																																																																																				
TOOL DES. REL.	N/A	160094-0004	0	D	BROWN																																																																																				
TOOL DES. REL.	N/A	160094-0005	0	E	GREEN																																																																																				
TOOL DES. REL.	N/A	160094-0006	0	F	NATURAL																																																																																				
TOOL DES. REL.	12672853	160094-0013	9	A	BLACK	<table border="1"> <tr><td>52</td><td>14</td><td>13</td><td>12</td><td>11</td><td>10</td><td>9</td><td>8</td><td>7</td><td>6</td><td>5</td><td>4</td><td>3</td><td colspan="4">2</td></tr> <tr><td></td><td>26</td><td>25</td><td>24</td><td>23</td><td>22</td><td>21</td><td>20</td><td>19</td><td>18</td><td>17</td><td>16</td><td>15</td><td colspan="4"></td></tr> <tr><td>51</td><td>38</td><td>37</td><td>36</td><td>35</td><td>34</td><td>33</td><td>32</td><td>31</td><td>30</td><td>29</td><td>28</td><td>27</td><td colspan="4">1</td></tr> <tr><td></td><td>50</td><td>49</td><td>48</td><td>47</td><td>46</td><td>45</td><td>44</td><td>43</td><td>42</td><td>41</td><td>40</td><td>39</td><td colspan="4"></td></tr> </table>																52	14	13	12	11	10	9	8	7	6	5	4	3	2					26	25	24	23	22	21	20	19	18	17	16	15					51	38	37	36	35	34	33	32	31	30	29	28	27	1					50	49	48	47	46	45	44	43	42	41	40	39				
52	14	13	12	11	10																	9	8	7	6	5	4	3	2																																																												
	26	25	24	23	22																	21	20	19	18	17	16	15																																																													
51	38	37	36	35	34																	33	32	31	30	29	28	27	1																																																												
	50	49	48	47	46																	45	44	43	42	41	40	39																																																													
TOOL DES. REL.	N/A	160094-0014	9	B	ST GRAY																																																																																				
TOOL DES. REL.	12672855	160094-0015	9	C	BLUE																																																																																				
TOOL DES. REL.	N/A	160094-0016	9	D	BROWN																																																																																				
TOOL DES. REL.	N/A	160094-0017	9	E	GREEN																																																																																				
TOOL DES. REL.	N/A	160094-0018	9	F	NATURAL																																																																																				
NA	NA	NA	NA	NA	NA																																																																																				
						73																																																																																			
SALEABLE	NOT APPLICABLE	34566-2503	0	A	BLACK	72	71		69	68	67	66		64	63	62		59			56			53																																																																	
									50			48		46		44	43	42		39		36	35	33																																																																	
						73				32		30	29		27			9	8		5	4	3	2	1																																																																
											67	66	65					59			57		55	53																																																																	
SALEABLE	NOT APPLICABLE	34566-2603	0	B	ST GRAY				49	48	47			44				39		37		35	33																																																																		
						73						29	28					23		21																																																																					
																		7																																																																							
SALEABLE	NOT APPLICABLE	34566-2703	0	B	ST GRAY				49	48	47			44				39		37		35	33																																																																		
						73						29	28					23		21																																																																					
																		7																																																																							
SALEABLE	TBD	34566-2803	0	H	ST GRAY																																																																																				
SALEABLE	NOT APPLICABLE	34566-2903	0	A	BLACK	72	71	70	69	68	67	66		64	63	62	61		59			55	54	53																																																																	
						52	51		49	48				44	43	42	41		39			35	34	33																																																																	
						73				32	31		29		27		25		23			19	18	17																																																																	
											16		13	12	11		9	8	7	6	5	4	3	2	1																																																																
SALEABLE	NOT APPLICABLE	34566-3003	0	A	BLACK	72	71	70	69	68	67	66		64	63	62		60	59	58	57	56	55	54	53																																																																
						52	51	50	49	48	47	46		44	43	42	41	40	39	38	37	36	35	34	33																																																																
						73				32	31	30	29	28	27		25	24	23	22	21	20	19	18	17																																																																
											16	15	14	13	12	11		9	8	7	6	5	4	3	2	1																																																															
SALEABLE	NOT APPLICABLE	34566-3103	0	B	ST GRAY				49	48		46				62		59		57		55	53																																																																		
						73						29			26		23		21			18																																																																			
											15					9	8	7			4	3																																																																			
SALEABLE	NOT APPLICABLE	34566-3203	0	B	ST GRAY			50	49	48		46					60	59	58	57	56	55		53																																																																	
						73						29						39	38	37		35	34	33																																																																	
											16	15	14					23	22	21			18																																																																		
																		7	6	5	4	3																																																																			
SALEABLE	NOT APPLICABLE	34566-3303	0	B	ST GRAY			50	49	48		46						59	58	57	56	55		53																																																																	
						73						29						39	38	37		35	34	33																																																																	
																		23	22	21			18																																																																		
											16	15	14					7	6	5	4	3																																																																			
SALEABLE	NOT APPLICABLE	34566-3403				SEE 34566-3003																																																																																			
SALEABLE	NOT APPLICABLE	34566-3503	0	A	BLACK	72	71		69	68	67	66		64	63	62		60	59																																																																						
						52			49	48		46		44	43	42		40	39				35	33																																																																	
						73				32			29		27			24	23					17																																																																	
											14	13	12	11		9	8	7	6	5	4	3	2	1																																																																	



MX123 52/66/73/80-WAY RECEPTACLE ASSY SEALED PIN OUT SHEET

STATUS	GM PART #	HRNS CONN ASSY			TPA	GROMMET CAP																						
		MATERIAL/PART	WIRE DRESS OPTION	KEY OPTION Fp		COLOR OPTION Fp	NUMBERS INDICATE CAVITIES OPEN FOR CIRCUITS																					
		NUMBER					Fp																					
SALEABLE	NOT APPLICABLE	34566-3603	0	B	ST GRY					68				64					59		57		55		53			
								49	48		46							39		37				35				33
						73				32			29							23		21						18
SALEABLE	NOT APPLICABLE	34566-3703	0	A	BLACK					68	67	66	65						59				55		53			
								49	48	47			44					39					35				33	
						73							29	28						23								
SALEABLE	NOT APPLICABLE	34566-3803	0	A	BLACK	72	71		69	68	67	66		64	63	62				59				56		53		
								50		48		46		44	43	42			39				36	35				33
						73				32			30	29			27			23				20				
SALEABLE	NOT APPLICABLE	34566-3903	0	B	ST GRY									65						59		57		55		53		
								49	48		46		44					39		37			35					33
						73							29	28					24	23		21						
SALEABLE	NOT APPLICABLE	34566-4003	0	B	ST GRY						67	66		64	63				59		57		55		53			
								50	49	48				43				39		37			35					33
						73				32			29			27			24	23		21						
SALEABLE	NOT APPLICABLE	34566-4103	0	A	BLACK	72	71		69	68	67	66		64	63	62		60	59					35		33		
						52			49	48		46	45	44	43	42		40	39									
						73				32			29			27	26		24	23								
SALEABLE	NOT APPLICABLE	34566-4203	0	B	ST GRY									64						59		57		55		53		
								50	49	48		46						39		37			35					33
						73				32			29					24	23		21							
SALEABLE	NOT APPLICABLE	34566-4303	0	A	BLACK			70	69	68	67		65	64	63		61		59	58	57	56						
								50	49	48	47					41			38	37	36				34	33		
						73				32	31	30	29	28	27			24	23				20	19	18			
SALEABLE	NOT APPLICABLE	34566-4403	0	A	BLACK	72	71	70	69	68	67	66	65	64	63		61		59	58	57	56						
								50	49	48	47						41			38	37	36			34	33		
						73				32	31	30	29	28	27			24	23			6		4				
SALEABLE	NOT APPLICABLE	34566-4503	0	H	ST GRY		79	78	77	76	75	74	73	72	71	70	69	68		66	65	64	63			61		
						60	59	58	57	56				53			50							44	43			41
						40	39	38	37		35	34	33	32			30	29			27	26			24	23	22	21
SALEABLE	NOT APPLICABLE	34566-4603	0	H	ST GRY		79	78	77	76	75	74	73	72	71	70	69	68		66	65	64	63			61		
						60	59	58	57	56				53			50							44	43			41
						40	39	38	37		35	34	33	32			30	29			27	26					22	21
SALEABLE	NOT APPLICABLE	34566-4703	0	B	ST GRY						67	66	65	64						59	58	57		55		53		
								49	48	47				44					39	38	37			35				33
						73							29							23	22	21						
SALEABLE	NOT APPLICABLE	34566-4803	0	A	BLACK	72	71		69	68	67	66		64	63	62	61		59							53		
										48					44		42	41		39						35		33
						73				32			29			27		25		23								
SALEABLE	NOT APPLICABLE	34566-4903	0	A	BLACK			70	69	68		66	65	64	63	62	61		59	58	57	56	55		33			
						52	51	50	49					44	43		41			38	37	36	35	34			33	
						73				32	31	30	29	28	27			24	23					20	19	18	17	
SALEABLE	NOT APPLICABLE	34566-5003	0	H	ST GRY		79	78	77	76	75	74	73	72	71	70	69	68		66	65	64	63			61		
						60	59	58	57	56				53	52		50							44	43			41
						40	39	38	37		35	34	33	32			30	29			27	26					22	21

MX123 52/66/73/80-WAY RECEPTACLE ASSY SEALED PIN OUT SHEET

STATUS	GM PART #	HRNS CONN ASSY			TPA	GROMMET CAP																																		
		MATERIAL/PART	WIRE DRESS OPTION	KEY OPTION △ Fp	COLOR OPTION △ Fp	NUMBERS INDICATE CAVITIES OPEN FOR CIRCUITS																																		
		NUMBER				<table style="margin-left: auto; margin-right: auto;"> <tr> <td colspan="20" style="text-align: center;"> <div style="display: inline-block; border: 1px solid black; padding: 2px;"> Fp </div> </td> </tr> </table>																				<div style="display: inline-block; border: 1px solid black; padding: 2px;"> Fp </div>														
<div style="display: inline-block; border: 1px solid black; padding: 2px;"> Fp </div>																																								
SALEABLE	NOT APPLICABLE	34566-6603	0	H	ST GR			79	78	77	76	75	74	73	72	71	70	69	68		66	65	64	63		61														
						60	59	58	57	56			53	52		50						27	26				22	21												
						40	39	38	37		35	34	33	32		30	29					8		6	5		3	2												
						20	19	18	17	16				13	12																									
SALEABLE	NOT APPLICABLE	34566-6703	0	H	ST GR			79	78	77	76	75	74	73	72	71	70	69	68		66	65	64	63		61														
						60	59	58	57	56			53			50									44	43		41												
						40	39	38	37		35	34	33	32		30	29											22	21											
						20	19	18	17	16				13	12																									
SALEABLE	NOT APPLICABLE	34566-6803	0	B	ST GR									65						59		57		55		53														
									49	48		46		44								39		37		35		33												
																29	28								23		21													
																									7															
SALEABLE	NOT APPLICABLE	34566-6903	0	B	ST GR									64						59		57		55		53														
									49	48		46										39		37		35		33												
																29									23		21		18											
																									7															
SALEABLE	NOT APPLICABLE	34566-7003	0	B	ST GR						67	66							59		57	56	55		53															
								50	49	48	47								39		37	36	35				18	17												
																29								23		21														
																									7															
SALEABLE	NOT APPLICABLE	34566-7103	0	A	BLACK	72	71	70	69	68	67	66		64	63	62		60	59				55	54	53															
						52			49	48				44	43	42		40	39						35	34	33													
										32				29	28	27				24	23					19	18	17												
										16				13	12	11			9	8	7	6	5	4	3	2	1													
SALEABLE	NOT APPLICABLE	34566-7203	0	B	ST GR	72	71	70	69	68	67	66	65	64	63	62		60	59					55	54	53														
						52			49	48				44	43	42		40	39						35	34	33													
										32				29	28	27				24	23					20	19	18	17											
										16				13	12	11			9	8	7	6	5	4	3	2	1													
SALEABLE	NOT APPLICABLE	34566-7303	0	B	ST GR				69	68		66							59				55		53															
									49	48		46		44							39		37		35		33													
														29	28									23		21		18	17											
																12	11	10						7																
SALEABLE	NOT APPLICABLE	34566-7403	0	B	ST GR			50	49	48		46							59		57		55		53															
														29							39		37		35		33													
																29								23		21														
																15								7	6	5	4	3												
SALEABLE	NOT APPLICABLE	34566-7503	0	A	BLACK	72	71	70	69	68	67	66		64	63	62		60	59	58	57	56	55	54	53															
						52	51	50	49	48	47	46		44	43	42		40	39	38	37	36	35	34	33															
										32	31	30	29	28	27				24	23	22	21	20	19	18	17														
										16	15	14	13	12	11			9	8	7	6	5	4	3	2	1														
SALEABLE	NOT APPLICABLE	34566-7603	0	B	ST GR				69	68		66							59		57		55		53															
									49	48		46		44							39		37		35		33													
														29	28									23		21		18	17											
																12	11	10						7																
SALEABLE	NOT APPLICABLE	34566-7703	0	A	BLACK	72	71	70	69	68	67	66		64	63	62		60	59					55	54	53														
						52			49	48				44	43	42		40	39						35	34	33													
										32				29	28	27				24	23					19	18	17												
										16				13	12	11			9	8	7	6	5	4	3	2	1													
SALEABLE	NOT APPLICABLE	34566-7803	0	A	BLACK	72	71	70		68		66		64	63	62	61	60	59					55	54	53														
						52			49	48		46		44	43	42		40	39						35	34	33													
										32				29	28	27				24	23					19	18	17												
										16		14	13	12	11			9	8	7	6					3	2	1												
SALEABLE	NOT APPLICABLE	34566-7903	0	B	ST GR									64				61		59		57		55		53														
																		42						39		35		33												
																								23			20	19												
																15											4	3	2	1										
SALEABLE	NOT APPLICABLE	34566-8003	0	A	BLACK				69	68			65	64	63		61	60	59	58		56																		
						52		50	49	48	47							41			38	37	36		34	33														
										32	31	30	29	28	27					24	23					20	19	18	17											
										16				13	12	11		10	9										1											

MX123 52/66/73/80-WAY RECEPTACLE ASSY SEALED PIN OUT SHEET

STATUS	GM PART #	HRNS CONN ASSY			TPA	GROMMET CAP																								
		MATERIAL/PART	WIRE DRESS OPTION	KEY OPTION Fp		COLOR OPTION Fp	NUMBERS INDICATE CAVITIES OPEN FOR CIRCUITS																							
		NUMBER					Fp																							
SALEABLE	NOT APPLICABLE	34566-8103	0	H	ST GRAY			78							72	71	70	69	68		66	65	64	63		61				
						60	59	58	57	56			53	52		50		29		27	26				24			22	21	
						40			37		35	34	33	32		30								8		6	5		3	2
SALEABLE	NOT APPLICABLE	34566-8203	0	A	BLACK			70			67	66									58		56	55	54					
										47			44	43	42	41		39						37	36			34		
						73					31	30			27		25	24							21	20	19	18		
SALEABLE	NOT APPLICABLE	34566-8303	0	A	BLACK	72	71		69	68	67	66		64	63	62			59	58	57	56			54	53				
						52	51	50	49	48	47	46		44	43	42				39	38	37	36	35	34	33				
						73					32	31	30	29		27			24	23	22	21	20	19						
SALEABLE	NOT APPLICABLE	34566-8403	0	B	ST GRAY								65	64							59		57		55	53				
								50	49	48		46								39		37				35		33		
						73					32			29					24	23		21								
SALEABLE	NOT APPLICABLE	34566-8503	0	B	ST GRAY																									
								50	49	48		46																		
						73					32			29					24	23		21								
SALEABLE	NOT APPLICABLE	34566-8603	0	A	BLACK	72	71	70	69	68	67	66	65	64	63	62			60	59					55	54	53			
						52			49	48				44	43	42							39	38	37		35	34	33	
						73					32			29																
SALEABLE	NOT APPLICABLE	34566-8703	0	B	ST GRAY																									
								50	49	48	47			44																
						73					32			29					23	21										
SALEABLE	NOT APPLICABLE	34566-8803	0	B	ST GRAY					68	67	66	65						59	58	57				54	53				
							51	50	49	48		46	45		43	42		40	39	38	37							33		
						73					32	31	30					26		24	23	22		20						
SALEABLE	NOT APPLICABLE	34566-8903	0	H	ST GRAY			78									71	70	69	68	67	66	65	64	63		61			
								58	57	56			53	52		51		50		29		27	26				44	43		41
						40			37		35	34	33	32		30													22	21
SALEABLE	NOT APPLICABLE	34566-9003	0	B	ST GRAY					69	68		66									59		57		55	53			
								49	48		46		44															35	33	
						73					32			29	28															
SALEABLE	NOT APPLICABLE	34566-9103	0	A	BLACK					68			65			63		61		59	58			56			53			
						52	51	50			47							41									36	35	34	33
						73					32	31	30	29	28	27		25	24	23	22	21	20	19	18	17				
SALEABLE	NOT APPLICABLE	34566-9203	0	A	BLACK	72	71	70	69	68	67	66		64	63	62			60	59					55	54	53			
						52			49	48				44	43	42			40	39	38						35	34	33	
						73					32			30	29	28	27			24	23							19	18	17
SALEABLE	NOT APPLICABLE	34566-9303	0	A	BLACK																									
								50	49	48		46	45		43	42														
						73					32	31	30	29		27			24	23	22	21	20	19						
SALEABLE	NOT APPLICABLE	34566-9403	0	B	ST GRAY					68	67	66	65												54	53				
								51	50	49	48		46	45		43	42	41	40	39	38	37					35		33	
						73					32	31	30					26		24	23	22		20						
SALEABLE	NOT APPLICABLE	34566-9503	0	A	BLACK					72	71	70	69	68			65	64	63			61		59	58	57	56			
						52	51		49		47																		34	33
						73					32	31	30	29	28	27			24	23								20	19	18

MX123 52/66/73/80-WAY RECEPTACLE ASSY SEALED PIN OUT SHEET

STATUS	GM PART #	HRNS CONN ASSY			TPA	GROMMET CAP																						
		MATERIAL/PART	WIRE DRESS OPTION	KEY OPTION Fp	COLOR OPTION Fp	NUMBERS INDICATE CAVITIES OPEN FOR CIRCUITS																						
		NUMBER				Fp																						
SALEABLE	NOT APPLICABLE	34566-9603	0	A	BLACK	52	71	70	69	68		66	65	64	63		61		59	58	57	56						
								50	49		47							41			38	37	36	35	34	33		
						73			32	31	30	29	28	27				24	23					20	19	18	17	
SALEABLE	NOT APPLICABLE	34566-9703	0	A	BLACK	72	71	70	69	68			65	64	63		61		59		57	56						
						52	51	50	49		47						41			38	37	36			34	33		
						73			32	31	30	29	28	27				24	23					20	19	18		1
SALEABLE	NOT APPLICABLE	34566-9803	0	A	BLACK	72	71	70	69	68			65	64	63		61		59		57	56						
						52	51	50	49		47						41			38	37	36			34	33		
						73			32	31	30	29	28	27				24	23					20	19	18		1
SALEABLE	NOT APPLICABLE	34566-9903	0	A	BLACK		71		69	68			65	64	63		61		59	58	57	56						
						52		50	49		47						41			38	37	36			34	33		
						73			32	31	30	29	28	27				24	23					20	19	18	17	1
SALEABLE	NOT APPLICABLE	34566-1013	0	A	BLACK		71		69	68			65	64	63		61		59	58	57	56						
						52		50	49		47						41			38	37	36			34	33		
						73			32	31	30	29	28	27				24	23					20	19	18	17	1
SALEABLE	NOT APPLICABLE	34566-1023	0	A	BLACK			70		67	66	65							58	57		55	54					
								50	49		47			44	43	42	41		39		37		35					
						73			32		30			27		25	24				21	20	19	18	17			
SALEABLE	NOT APPLICABLE	34566-1033	0	A	BLACK	72		70		67	66	65						58	57		55	54						
								50	49		47			44	43	42	41		39		37		35					
						73			32		30			27	26	25	24				21	20	19	18	17			
SALEABLE	NOT APPLICABLE	34566-1043	0	B	ST GRAY		71	70		68		66	65					59	58	57			54	53				
							51	50	49	48		46	45		43		41	40	39	38	37	36	35					
						73			32	31	30						24	23	22		20							
SALEABLE	NOT APPLICABLE	34566-1053	0	H	ST GRAY		79	78	77	76	75	74	73	72	71	70	69	68		66	65	64	63			61		
						60	59	58	57	56			53	52		50							44	43			41	
						40	39	38	37		35	34	33	32		30	29		27	26							22	21
SALEABLE	NOT APPLICABLE	34566-1063	0	B	ST GRAY								65				60	59		57	56	55		53				
									49	48	47			44			40	39		37	36	35					33	
						73						29	28					24	23		21							2
SALEABLE	NOT APPLICABLE	34566-1073	0	A	BLACK	72	71	70	69	68	67	66	65	64	63		61		59	58	57	56			54			
								50	49	48	47						42	41		38	37	36			34	33		
						73			32	31	30	29	28	27	26		24	23					20	19	18			
SALEABLE	NOT APPLICABLE	34566-1083	0	B	ST GRAY					68	67	66	65	64				59	58	57			55	54	53			
							51	50	49	48		46	45		43	42	41	40	39	38	37		35				33	
						73			32	31	30				26		24	23	22		20							
SALEABLE	NOT APPLICABLE	34566-1093	0	A	BLACK			70		68	67	66						58		56	55	54						
									49		47			44	43	42	41		39		37	36			34			
						73				31	30			27		25	24				21	20	19	18				
SALEABLE	NOT APPLICABLE	34566-1123	0	H	ST GRAY			78					72	71	70	69	68	67	66	65	64	63			61			
								58	57	56			53	52	51	50							44	43			41	
						40			37		35	34	33	32		30	29		27	26							22	21
SALEABLE	NOT APPLICABLE	34566-1133	0	A	BLACK			70		68	67	66				61		58	57		55	54						
									49		47		45	44	43	42	41		39		37			34				
						73			32		30			27		25	24				21	20	19	18				1

MX123 52/66/73/80-WAY RECEPTACLE ASSY SEALED PIN OUT SHEET

STATUS	GM PART #	HRNS CONN ASSY			TPA	GROMMET CAP																							
		MATERIAL/PART	WIRE DRESS OPTION	KEY OPTION Fp	COLOR OPTION Fp	NUMBERS INDICATE CAVITIES OPEN FOR CIRCUITS																							
		NUMBER				Fp																							
SALEABLE	NOT APPLICABLE	34566-1143	0	A	BLACK	52		50		68			65		63		61		59	58		56			53				
										47																			
						73			32	31	30	29	28	27		25	24	23	22	21	20	19	18	17				1	
SALEABLE	NOT APPLICABLE	34566-1153	0	A	BLACK			70				67	66	65						58	57		55						
									49					44	43	42	41		39		37								
						73			32		30				27		25	24	23		21	20	19	18				1	
SALEABLE	NOT APPLICABLE	34566-1163	0	H	ST GRAY			78							72	71	70	69	68		66	65	64	63		61			
						60	59	58	57	56			53	52		50										44	43		41
						40				37		35	34		32		30	29		27	26								22
SALEABLE	NOT APPLICABLE	34566-1173	0	A	BLACK	20	19	18	17	16			13	12				8		6	5			3	2				
						72	71		69	68			65	64	63	62	61	60	59	58		56		54					
						52			50	49	48	47		45			42	41		38	37	36		34	33				
SALEABLE	NOT APPLICABLE	34566-1183	0	B	ST GRAY	73			32	31	30	29	28	27	26		24	23											
									49	48	47			44		42			39		37		35						
SALEABLE	NOT APPLICABLE	34566-1193	0	A	BLACK							66	65	64		62			59		57		55		53				
									49	48	47			44		42			39		37		35						
						73							29	28					23		21								17
SALEABLE	NOT APPLICABLE	34566-1213	0	A	BLACK	72	71		69	68	67	66		64	63	62		60	59							54	53		
						52			49	48		46		44	43	42			39									34	33
						73			32			29			27				23										
SALEABLE	NOT APPLICABLE	34566-1223	0	B	ST GRAY	72	71		69	68	67	66		64	63	62		59								54	53		
						52			49	48		46		44	43	42			39									34	33
						73			32			29			27				23										
SALEABLE	NOT APPLICABLE	34566-1233	0	B	ST GRAY							67	66	65		63	62			59		57		55		53			
									48					43	42			39		37		35							
						73							29		27	26			23		21								17
SALEABLE	NOT APPLICABLE	34566-1243	0	B	ST GRAY							65			62			59		57		55		53					
									48		46			42			39		37		35								
						73							29		26			23		21									17
SALEABLE	NOT APPLICABLE	34566-1253	9	B	ST GRAY													59		57		55		53					
									49	48		46					60	59	57		55		53						
						73												60	59	57		55		53					
SALEABLE	NOT APPLICABLE	34566-1263	9	A	BLACK	NUMBERS IN BOLD MUST USE SAE WIRE MEETING SAE J1128, WIRE SIZE (NO.20) OR (NO.18 MAX. O.D. OF 2.06 MM) PER G.M. DRAWING NUMBER 12582682.																							
						72	71		69	68	67	66		64	63	62			59				56					53	
								50		48		46		44	43	42			39				36	35					33
SALEABLE	NOT APPLICABLE	34566-1273	0	A	BLACK	73			32		30	29		27		24	23		20					17					
								70	69	68			65	64	63		61		59	58	57	56							
SALEABLE	NOT APPLICABLE	34566-1283	0	A	BLACK	52		50	49	48	47						41		38	37	36		34	33					
						73			32	31	30	29	28	27				24	23		20	19	18						

MX123 52/66/73/80-WAY RECEPTACLE ASSY SEALED PIN OUT SHEET

STATUS	GM PART #	HRNS CONN ASSY			TPA	GROMMET CAP																					
		MATERIAL/PART	WIRE DRESS OPTION	KEY OPTION Fp	COLOR OPTION Fp	NUMBERS INDICATE CAVITIES OPEN FOR CIRCUITS																					
		NUMBER				Fp																					
SALEABLE	NOT APPLICABLE	34566-1293	0	A	BLACK	52		50		68			65		63		61		59	58		56			34	33	
						73				32	31	30	29	28	27			24	23					20	19	18	17
						73				16				13	12	11	10	9									
SALEABLE	NOT APPLICABLE	34566-1313	0	H	ST GRAY	80		78						72	71	70	69	68		66	65	64	63		61		
								58	57	56	55	54	53									46		44	43	42	
						40			37		35				32		30	29		27	26						
SALEABLE	NOT APPLICABLE	34566-1323	0	A	BLACK	72	71	70	69	68	67	66	65	64	63	62		60	59	58	57	56	55	54	53		
						52	51	50	49	48	47	46	45	44	43	42	41	40	39	38	37	36	35	34	33		
						73				32	31	30	29	28	27			25	24	23	22	21	20	19	18	17	
SALEABLE	NOT APPLICABLE	34566-1333	0	A	BLACK			70	69	68			65	64				59	58		56						
						52		50	49		47					41				38	37	36			34		
						73				32	31	30	29	28	27					23				20	19	18	17
SALEABLE	NOT APPLICABLE	34566-1343	0	A	BLACK				69				65	64	63				59	58	57	56					
								50	49	48	47						41			38	37	36			34		
						73				32	31	30	29	28	27					23				20	19	18	17
SALEABLE	NOT APPLICABLE	34566-1353	0	H	ST GRAY		79	78	77	76	75	74	73	72	71	70	69	68		66	65	64	63		61		
						60	59	58	57	56			53				50							44	43		41
						40	39	38	37		35	34			32		30	29		27	26						22
SALEABLE	NOT APPLICABLE	34566-1363	0	A	BLACK	72	71		69	68	67	66		64	63	62			59							53	
										48		46		44	43	42			39								33
						73				32			29		27			24	23								
SALEABLE	NOT APPLICABLE	34566-1373	0	B	ST GRAY							66	65			62		59		57		55		53			
										48		46			42			39		37		35				33	
						73							29			26			23		21						17
SALEABLE	NOT APPLICABLE	34566-1383	0	B	ST GRAY				49	48	47	46						59	58	57		55		53			
																		39	38	37		35				33	
						73							29					23	22	21							17
SALEABLE	NOT APPLICABLE	34566-1393	0	A	BLACK			70			67	66				61			58	57		55	54				
										47		45	44	43	42	41		39		37					34		
						73				32		30			27		25	24			21	20	19	18			1
SALEABLE	NOT APPLICABLE	34566-1423	0	B	ST GRAY					68	67	66	65			61	60	59	58	57			54	53			
							51	50	49	48	47	46	45		43	42	41	40	39	38	37		35	34	33		
						73				32	31	30				26		24	23	22	21	20					
SALEABLE	NOT APPLICABLE	34566-1433	0	B	ST GRAY							66		64				59		57		55		53			
									49	48		46						39		37		35				33	
						73				32			29					23		21					18	17	
SALEABLE	NOT APPLICABLE	34566-1443	0	B	ST GRAY				69	68		66						59		57		55		53			
									49	48		46						39		37		35				33	
						73							29					23		21							17
SALEABLE	NOT APPLICABLE	34566-1453	0	B	ST GRAY				49	48	47			66	65	64		62		59		57		55	53		
													44		42			39		37		35				33	
						73							29	28		26			23		21						17
SALEABLE	NOT APPLICABLE	34566-1463	0	A	BLACK				69	68			65	64	63	62	61	60	59	58		56			34	33	
						52		50	49	48	47		45				41			38	37	36					
						73				32	31	30	29	28	27			24	23					20	19	18	17

MX123 52/66/73/80-WAY RECEPTACLE ASSY SEALED PIN OUT SHEET

STATUS	GM PART #	HRNS CONN ASSY			TPA	GROMMET CAP																					
		MATERIAL/PART	WIRE DRESS OPTION	KEY OPTION Fp	COLOR OPTION Fp	NUMBERS INDICATE CAVITIES OPEN FOR CIRCUITS																					
		NUMBER				Fp																					
SALEABLE	NOT APPLICABLE	34566-1473	0	A	BLACK	72	71		69	68	67	66		64	63	62			59					54	53		
						52			49	48		46		44	43	42			39							34	33
						73				32			29		27			24	23								
SALEABLE	NOT APPLICABLE	34566-1483	0	A	BLACK	72	71		69	68			65	64	63		61		59	58		56					
						52		50	49		47					41			38	37	36				34	33	
						73				32	31	30	29	28	27			24	23					20	19	18	17
SALEABLE	NOT APPLICABLE	34566-1493	0	B	ST GRAY				68								59	58	57		55						
									49	48		46						39	38	37		35				33	
						73							29					23	22	21						18	17
SALEABLE	NOT APPLICABLE	34566-1513	0	B	ST GRAY								65				59		57		55						
									49	48		46					39		37		35					33	
						73							29					23		21							17
SALEABLE	NOT APPLICABLE	34566-1523	0	A	BLACK			70	69	68			65	64			59	58		56		54					
						52		50	49		47					42	41		38	37	36			34			
						73				32	31	30	29	28	27	26			23				20	19	18	17	
SALEABLE	NOT APPLICABLE	34566-1533	0	A	BLACK																						
						52	51	50	49		47						41			38	37	36			34	33	
						73				32	31	30	29	28	27			24	23						3	2	1
SALEABLE	NOT APPLICABLE	34566-1543	0	B	ST GRAY				69	68		66					59		57		55						
									49	48		46					39		37		35					33	
						73							29					23		21							
SALEABLE	12582677	34566-1553	0	A	BLACK																						
						73																					
TOOL DESIGN SALEABLE	NOT APPLICABLE	34566-1563	9	A	BLACK																						
73																											
TOOL DESIGN SALEABLE	NOT APPLICABLE	34566-1573	9	H	ST GRAY																						
SALEABLE	NOT APPLICABLE	34566-1583	0	A	BLACK			70			67	66	65				61		58	57		55	54				
									49		47		45	44	43	42	41		39		37			34			
						73				32		30			27		25	24			21	20	19	18	17		
SALEABLE	NOT APPLICABLE	34566-1593	0	B	ST GRAY					67		65				61	60	59	58	57		54	53				
							51	50	49	48	47	46	45		43	42		40	39		37			34	33		
						73				32	31	30				26		24	23	22	21	20					
SALEABLE	NOT APPLICABLE	34566-1613	0	H	ST GRAY		79	78	77	76	75	74	73	72	71	70	69	68		66	65	64	63		61		
						60	59	58	57	56			53			50							44	43		41	
						40	39	38	37		35	34	33	32		30	29		27	26			24	23	22	21	
SALEABLE	NOT APPLICABLE	34566-1623	0	B	ST GRAY							66	65			62		59		57		55	53				
										48	47				42		39		37		35						
						73							29			26		23		21							17
SALEABLE	NOT APPLICABLE	34566-1633	0	B	ST GRAY				69	68		66					59		57		55	53					
								50		48	47						39		37		35					33	
						73							29			12	11	10			7	6	5	4	3		

MX123 52/66/73/80-WAY RECEPTACLE ASSY SEALED PIN OUT SHEET

STATUS	GM PART #	HRNS CONN ASSY			TPA	GROMMET CAP																						
		MATERIAL/PART	WIRE DRESS OPTION	KEY OPTION Fp	COLOR OPTION Fp	NUMBERS INDICATE CAVITIES OPEN FOR CIRCUITS																						
		NUMBER				Fp																						
SALEABLE	NOT APPLICABLE	34566-1643	0	B	ST GRY				69	68		66							59		57		55		53			
								50		48		46							39		37		35		33			
						73						29						23		21							17	
SALEABLE	NOT APPLICABLE	34566-1653	0	B	ST GRY							66						59		57		55		53				
								50		48		46						39		37		35		33				
						73						29						23		21							17	
SALEABLE	NOT APPLICABLE	34566-1663	0	B	ST GRY							66						59		57		55		53				
								50		48		46						39		37		35		33				
						73						29						23		21							17	
SALEABLE	NOT APPLICABLE	34566-1673	0	A	BLACK	72	71	70	69	68	67	66	65	64	63	62		60	59					55	54	53		
						52			49	48			45	44	43	42	41	40	39							35	34	33
						73						29				27		25	24	23							19	18
SALEABLE	NOT APPLICABLE	34566-1683	0	B	ST GRY							67	66			63			59	58	57	56	55		53			
								50	49	48					43				39	38	37	36	35		33			
						73						29				27			23	22	21							
SALEABLE	NOT APPLICABLE	34566-1693	0	B	ST GRY							66		64				59		57		55		53				
								49	48		46							39		37		35		33				
						73						29						23		21							17	
SALEABLE	NOT APPLICABLE	34566-1713	0	B	ST GRY		71	70		68		66	65	64	63		60	59	58	57	56	55	54	53				
							51	50	49	48		46	45		43		41	40	39	38	37	36	35		33			
						73						32	31	30				24	23	22		20	19					
SALEABLE	NOT APPLICABLE	34566-1723	0	B	ST GRY		71	70		68		66	65				60	59	58	57			54	53				
							51	50	49	48		46	45		43		41	40	39	38	37	36	35		33			
						73						32	31	30				24	23	22		20						
SALEABLE	NOT APPLICABLE	34566-1733	0	A	BLACK			70		68	67	66	65					58	57		55							
								49		47			44	43	42	41		39		37		35						
						73						32		30			27		25	24		21	20	19	18	17		
SALEABLE	NOT APPLICABLE	34566-1743	0	A	BLACK			70		67	66	65					58	57		55								
								49		47			44	43	42	41		39		37		35						
						73						32		30			27		25	24		21	20	19	18	17		
SALEABLE	NOT APPLICABLE	34566-1753	0	A	BLACK			70		67	66	65					58	57		55								
								49		47			44	43	42	41		39		37		35						
						73						32				27		25	24		21	20	19	18	17			
SALEABLE	NOT APPLICABLE	34566-1763	0	B	ST GRY					67		65				61	60	59	58	57			54	53				
							51	50	49	48	47	46	45		43		40	39		37		35			34	33		
						73						32	31	30				26	25	24	23	22	21	20				
SALEABLE	NOT APPLICABLE	34566-1773	0	C	BLUE	72		70				67	66			63	62			59		57			53			
						52	51					46		44		42		40	39							34	33	
						73								30			27	26	25			22	21	20				
SALEABLE	NOT APPLICABLE	34566-1783	0	C	BLUE					67	66				63	62			59		57			53				
						52	51	70				46		44		42		40	39							34	33	
						73								30			26	25			22	21	20					
SALEABLE	NOT APPLICABLE	34566-1793	0	A	BLACK				69							63	62	61		58	57	56	55	54	53			
						52	51		49				44	43	42	41				37	36	35	34	33				
						73						32			29	28	27	26								19	18	

MX123 52/66/73/80-WAY RECEPTACLE ASSY SEALED PIN OUT SHEET

STATUS	GM PART #	HRNS CONN ASSY			TPA	GROMMET CAP																				
		MATERIAL/PART	WIRE DRESS OPTION	KEY OPTION Fp	COLOR OPTION Fp	NUMBERS INDICATE CAVITIES OPEN FOR CIRCUITS																				
		NUMBER				Fp																				
SALEABLE	NOT APPLICABLE	34566-1813	0	B	ST GRAY	72	71	70		68	67	66				62	61	60	59	58	57	56	55	54	53	
						52	51	50		48	47	46				42	41	40	39	38	37	36	35	34	33	
						73				32	31	30	29	28	27	26	25	24	23							
SALEABLE	NOT APPLICABLE	34566-1823	0	A	BLACK	72	71	70	69	68		66	65	64			61		59	58		56		54	53	
						52		50	49		47					42	41			38	37	36		34	33	
						73				32	31	30	29	28	27	26		24	23	22	21	20	19	18	17	
SALEABLE	NOT APPLICABLE	34566-1833	0	A	BLACK					68		65		63		61		59	58		56					
						52		50			47					41			38	37	36		34	33		
						73				32	31	30	29	28	27		25	24	23			20	19	18	17	
SALEABLE	NOT APPLICABLE	34566-1843	0	A	BLACK					68		65		63		61		59	58		56					
						52		50			47					41			38	37	36		34	33		
						73				32	31	30	29	28	27		25	24	23			20	19	18	17	
SALEABLE	NOT APPLICABLE	34566-1853	0	A	BLACK			70	69	68	67		65		63		61	60			57	56	55	54	53	
						52		50	49	48	47			44	43		41	40			37	36	35	34	33	
						73						30	29	28			25	24			21	20	19	18	17	
SALEABLE	NOT APPLICABLE	34566-1863	0	B	ST GRAY					68	67		66	65	64	63										
												46	45		43											
						73				32		30	29	28	27											
SALEABLE	NOT APPLICABLE	34566-1873	0	C	BLUE	72		70			67	66			63	62			59		57					
						52	51					46		44		42		40	39						34	33
						73				32		30			27	26	25			22	21	20				
SALEABLE	NOT APPLICABLE	34566-1883	0	A	BLACK			70		68	67	66	65						58	57		55				
									49		47			44	43	42	41	40	39		37		35			
						73				32		30			27		25	24			21	20	19	18	17	
SALEABLE	NOT APPLICABLE	34566-1893	0	C	BLUE			70				66			63			59		57						
						52	51					46		44		42		40	39						34	33
						73				32		30			27	26	25			22	21	20				
SALEABLE	NOT APPLICABLE	34566-1913	0	B	ST GRAY	72		70		68		66					60	59					55	54	53	
						52		50		48		46					40	39						35	34	33
						73				32	31	30	29	28	27	26	25	24								
SALEABLE	NOT APPLICABLE	34566-1923	0	A	BLACK				69						63				58		56	55	54	53		
						52	51		49					44	43	42	41					36	35	34	33	
						73				32				28		26							19	18		
SALEABLE	NOT APPLICABLE	34566-1933	0	A	BLACK			70			67	66	65					58	57		55					
									49		47			44	43	42	41	40	39		37		35			
						73				32		30			27		25	24			21	20	19	18	17	
SALEABLE	NOT APPLICABLE	34566-1943	0	A	BLACK			70			67	66	65					58	57		55					
							51		49		47			44	43	42	41	40	39		37		35			
						73				32		30			27		25	24			21	20	19	18	17	
SALEABLE	NOT APPLICABLE	34566-1953	0	C	BLUE			70				66			63			59		57						
						52	51			48	47	46		44		42		40	39						34	33
						73						30				26	25			22	21	20				
SALEABLE	NOT APPLICABLE	34566-1963	0	C	BLUE			70				66			63			59		57						
						52	51					46		44		42		40	39						34	33
						73						30				26	25			22	21	20				

MX123 52/66/73/80-WAY RECEPTACLE ASSY SEALED PIN OUT SHEET

STATUS	GM PART #	HRNS CONN ASSY			TPA	GROMMET CAP																						
		MATERIAL/PART	WIRE DRESS OPTION	KEY OPTION Fp	COLOR OPTION Fp	NUMBERS INDICATE CAVITIES OPEN FOR CIRCUITS																						
		NUMBER				Fp																						
SALEABLE	NOT APPLICABLE	34566-1973	0	A	BLACK	52	51		69								63						56	55	54	53		
									49						44	43	42	41							36	35	34	33
						73				32					28		26			23					21		19	18
SALEABLE	NOT APPLICABLE	34566-1983	0	B	ST GRY																							
						73																						
SALEABLE	NOT APPLICABLE	34566-1993	0	C	BLUE																							
						73																						
SALEABLE	NOT APPLICABLE	34566-2013	0	A	BLACK		71	70					65					60	59	58	57				54	53		
							51	50	49	48		46	45		43		41	40	39		37	36	35					33
						73				32	31	30						24	23	22		20						
SALEABLE	NOT APPLICABLE	34566-2023	0	A	BLACK			70		68	67	66	65							58	57			55				
									49		47			44	43	42	41		39		37		35					
						73				32		30				27		25	24			21	20	19	18	17		
SALEABLE	NOT APPLICABLE	34566-2033	0	A	BLACK		71	70					65	64				60	59	58	57			55	54	53		
							51	50	49	48		46	45		43		41	40	39		37	36	35					33
						73				32	31	30						24	23	22		20						
SALEABLE	NOT APPLICABLE	34566-2043	0	A	BLACK			70			67	66	65						58	57			55					
									49		47			44	43	42	41		39		37		35					
						73				32		30				27		25	24			21	20	19	18	17		
SALEABLE	NOT APPLICABLE	34566-2053	0	B	ST GRY			70		68	67	66	65						58	57			55					
									49		47			44	43	42	41		39		37		35					
						73				32		30				27		25	24	23		21	20	19	18			
SALEABLE	NOT APPLICABLE	34566-2063	0	H	ST GRY			78						72	71	70	69	68		66	65	64	63		61			
								58	57	56			53	52		50						44	43				41	
						40			37		35	34			32		30	29		27	26						22	21
SALEABLE	NOT APPLICABLE	34566-2073	0	H	ST GRY			78						72	71	70	69	68		66	65	64	63		61			
								58	57	56			53	52		50						44	43				41	
						40			37		35	34			32		30	29		27	26						22	21
SALEABLE	NOT APPLICABLE	34566-2083	0	H	ST GRY			78						72	71	70	69	68	67	66	65	64	63		61			
								58	57	56			53	52	51	50						44	43				41	
						40			37		35	34			32		30	29		27	26						22	21
SALEABLE	NOT APPLICABLE	34566-2093	0	A	BLACK					68			65		63		61		59	58		56						
								50			47					41			38	37	36		34	33				
						73				32	31	30	29	28	27		25	24	23			20	19	18	17			
SALEABLE	NOT APPLICABLE	34566-2113	0	H	ST GRY		79	78	77	76	75	74	73	72	71	70	69	68		66	65	64	63		61			
							60	59	58	57	56	55		53	52		50					44	43	42	41			
						40	39	38	37		35	34	33	32		30	29		27	26							22	21
SALEABLE	NOT APPLICABLE	34566-2123	0	H	ST GRY			79	78	77	76	75	74	73	72	71	70	69	68		66	65	64	63		61		
								59	58	57	56	55		53	52		50					44	43	42	41			
						40	39	38	37		35	34	33	32		30	29		27	26							22	21
SALEABLE	NOT APPLICABLE	34566-2133	0	B	ST GRY		71	70					65	64				60	59	58	57		55	54	53			
							51	50	49	48		46	45		43		41	40	39		37	36	35					33
						73				32	31	30						24	23	22		20						

MX123 52/66/73/80-WAY RECEPTACLE ASSY SEALED PIN OUT SHEET

STATUS	GM PART #	HRNS CONN ASSY			TPA	GROMMET CAP																																
		MATERIAL/PART	WIRE DRESS OPTION	KEY OPTION △ Fp		COLOR OPTION △ Fp	NUMBERS INDICATE CAVITIES OPEN FOR CIRCUITS																															
		NUMBER					△ Fp																															
SALEABLE	NOT APPLICABLE	34566-2143	0	B	ST GRY	71	70								65						60	59	58	57						54	53							
							51	50	49	48		46	45			43		41	40	39				24	23	22		20							33			
						73				32	31	30																										
											16	15				13	12	11	10	9	8	7	6	5	4													
SALEABLE	NOT APPLICABLE	34566-2153	0	A	BLACK			70		68	67	66	65									58	57								55							
									49		47				44	43	42	41							39		37											
						73				32		30				27		25	24	23						21	20	19	18									
															13												6	5								3	1	
SALEABLE	NOT APPLICABLE	34566-2163	0	A	BLACK			70			67	66								61			58							55	54							
									49		47		45	44	43	42	41								39		37							34				
						73				32						27				24								21	20	19	18	17						
															15		13										6	5								3	1	
SALEABLE	NOT APPLICABLE	34566-2173	0	A	BLACK			70			67	66	65						61			58								55	54							
									49		47		45	44	43	42	41								39		37							34				
						73				32		30				27				25	24							21	20	19	18	17						
															15		13										6	5								3	1	
SALEABLE	NOT APPLICABLE	34566-2183	0	A	BLACK			70			67	66									58	57								55	54							
									49		47			44	43	42	41								39		37											
						73				32						27				24								21	20	19	18	17						
															15		13										6	5								3	1	
SALEABLE	NOT APPLICABLE	34566-2193	0	A	BLACK			70			67	66	65								58	57								55	54							
									49		47			44	43	42	41								39		37											
						73				32		30				27				25	24							21	20	19	18	17						
															15		13										6	5								3	1	
SALEABLE	NOT APPLICABLE	34566-2213	9	H	ST GRY		79	78	77	76	75	74	73	72	71	70	69	68					66	65	64	63							61					
						60	59	58	57	56				53					50														44	43	41			
						40	39	38	37		35	34	33	32					30	29						27	26					24	23	22	21			
						20	19	18	17						14	13	12	11	10	9	8						6	5							3	2		
SALEABLE	NOT APPLICABLE	34566-2223	0	A	BLACK	72	71	70	69	68	67	66		64	63	62							60	59							55	54	53					
						52			49	48		46		44	43	42									40	39								35	34	33		
						73				32						29		27									24	23										
															16		14	13	12	11	10	9	8	7	6	5	4	3	2	1								
SALEABLE	NOT APPLICABLE	34566-2233	0	A	BLACK					69													58							56	54							
						52	51	50	49						44	43	42	41															36	35	34	33		
						73				32						28																						
															16																							
SALEABLE	NOT APPLICABLE	34566-2243	0	H	ST GRY		79	78	77	76	75	74	73	72	71	70	69	68					66	65	64	63							61					
						60	59	58	57	56				53	52				50														44	43	41			
						40	39	38	37		35	34	33	32					30	29						27	26						24	23	22	21		
						20	19	18	17						14	13	12	11	10	9	8						6	5								3	2	
SALEABLE	NOT APPLICABLE	34566-2253	0	A	BLACK	72	71	70	69	68	67	66		64	63	62							60	59							56	54	53					
						52			50	49		47							42	41						38	37	36						34	33			
						73				32	31	30	29	28	27	26											24	23	22	21	20	19	18	17				
															16																							
SALEABLE	NOT APPLICABLE	34566-2263	0	A	BLACK					69														58							56	55	54	53				
						52	51	50	49						44	43	42	41																36	35	34	33	
						73				32						28																						
															16		14																					
SALEABLE	NOT APPLICABLE	34566-2273	0	A	BLACK					69														58	57	56	55	54	53									
						52	51	50	49						44	43	42	41																				
						73				32						29	28	27	26																			
															16		14	13	12	11	10																	
SALEABLE	NOT APPLICABLE	34566-2283	0	B	ST GRY					49																												
											48		46	45	44	43																						
						73				32		30	29	28	27																							
															16																							
SALEABLE	NOT APPLICABLE	34566-2293	0	C	BLUE	72			70														59		57								53					
						52	51																												34	33		
						73																																
															15	14																						




MX123 52/66/73/80-WAY RECEPTACLE ASSY SEALED PIN OUT SHEET

STATUS	GM PART #	HRNS CONN ASSY			TPA	GROMMET CAP																							
		MATERIAL/PART	WIRE DRESS OPTION	KEY OPTION △ Fp	COLOR OPTION △ Fp	NUMBERS INDICATE CAVITIES OPEN FOR CIRCUITS △ Fp																							
		NUMBER																											
SALEABLE	NOT APPLICABLE	34566-2473	0	A	BLACK				70		68	67	66	65							58	57		55					
									49							44	43	42	41				39			37			35
						73				32			30					27			25	24				21	20	19	18
SALEABLE	NOT APPLICABLE	34566-2483	0	A	BLACK				69									63	62	61				58	57	56	55	54	53
						52	51		49						44	43	42	41						37	36	35	34	33	
						73				32			29	28	27	26							23					19	18
SALEABLE	NOT APPLICABLE	34566-2493 SAME AS P/N 34566-3863	0	B	ST GRV	72	71	70		68	67	66						62	61	60	59	58	57	56	55	54	53		
						52	51	50		48	47	46					42	41	40	39	38	37	36	35	34	33			
						73				32	31	30	29	28	27	26	25	24											
SALEABLE	NOT APPLICABLE	34566-2513	0	C	BLUE	72		70		68	67	66				63	62			59			57				53		
						52	51			48	47	46		44			42			40	39							34	33
						73				32		30				27	26	25					22	21	20				
SALEABLE	NOT APPLICABLE	34566-2523	0	A	BLACK	72	71	70	69	68	67	66	65	64	63	62		60	59						55	54	53		
						52			49	48			45	44	43	42	41	40	39								35	34	33
						73				32			29	28	27			25	24	23								19	18
SALEABLE	NOT APPLICABLE	34566-2533	0	B	ST GRV						67	66	65			63				59	58	57	56	55	54	53			
								50	49	48		46	45		43					39	38	37	36	35	34	33			
						73				16	15	14	13						8	7	6	5	4	3					
SALEABLE	NOT APPLICABLE	34566-2543	0	C	BLUE	72		70				66			63			59			57					53			
						52	51					46		44			42			40	39						34	33	
						73				32		30				27	26	25					22	21					
SALEABLE	NOT APPLICABLE	34566-2553	9	B	ST GRV	72	71	70		68	67	66					62	61	60	59	58	57	56	55	54	53			
						52	51	50		48	47	46					42	41	40	39	38	37	36	35	34	33			
						73				32	31	30	29	28	27	26	25	24	23										
SALEABLE	NOT APPLICABLE	34566-2563	9	A	BLACK				69							63	62	61			58	57	56	55	54	53			
						52	51	50	49					44	43	42	41					37	36	35	34	33			
						73				32			29	28	27	26											19	18	
SALEABLE	NOT APPLICABLE	34566-2573	9	C	BLUE	72		70			67	66				63	62			59			57			53			
						52	51					46		44			42			40	39						34	33	
						73				32		30				27	26	25					22	21	20				
SALEABLE	NOT APPLICABLE	34566-2583	0	A	BLACK				69							63				58	57	56	55	54	53				
						52	51	50	49					44	43	42	41					39			36	35	34	33	
						73				32			28		26												19	18	
SALEABLE	NOT APPLICABLE	34566-2593	0	C	BLUE	72		70				66			63	62			59			57				53			
						52	51					46		44			42			40	39						34	33	
						73				32		30				27	26	25					22	21					
SALEABLE	NOT APPLICABLE	34566-2613	9	C	BLUE	72		70			67	66				63	62			59			57			53			
						52	51					46		44			42			40	39						34	33	
						73				32		30				27	26	25					22	21	20				
SALEABLE	NOT APPLICABLE	34566-2623	0	A	BLACK		71		69	68	67		65	64	63		61		59			57	56						
								50	49		47						41			38	37	36				34	33		
						73				32	31	30	29	28	27			24	23							20	19	18	
SALEABLE	NOT APPLICABLE	34566-2633	0	A	BLACK		71		69	68	67		65	64			61		59			57	56						
								50	49		47						41			38	37	36					33		
						73				32	31	30	29	28	27			24	23							20	19	18	

MX123 52/66/73/80-WAY RECEPTACLE ASSY SEALED PIN OUT SHEET

Table with columns: STATUS, GM PART #, HRNS CONN ASSY (MATERIAL/PART NUMBER, WIRE DRESS OPTION, KEY OPTION Fp), TPA, GROMMET CAP (COLOR OPTION Fp), and NUMBERS INDICATE CAVITIES OPEN FOR CIRCUITS. Rows include part numbers like 34566-2643, 34566-2653, 34566-2663, etc., with corresponding pin configurations.

MX123 52/66/73/80-WAY RECEPTACLE ASSY SEALED PIN OUT SHEET

STATUS	GM PART #	HRNS CONN ASSY			TPA	GROMMET CAP																							
		MATERIAL/PART	WIRE DRESS OPTION	KEY OPTION	COLOR OPTION	NUMBERS INDICATE CAVITIES OPEN FOR CIRCUITS																							
		NUMBER																											
SALEABLE	NOT APPLICABLE	34566-2813	9	B	ST GR	72	71	70	69	68	67	66	65	64		62	61	60	59	58	57	56	55	54					
						52	51	50	49	48		46		44				40				37	36						
						73						32	31	30	29	28	27		25	24			21	20		18			
SALEABLE	NOT APPLICABLE	34566-2823	0	A	BLACK						67	66																	
											47						41												
						73						32	31	30	29		27		25			22	21		19	18	17		
SALEABLE	NOT APPLICABLE	34566-2833	0	B	ST GR	72	71	70	69	68	67	66	65			61	60				57	56	55	54					
						52	51	50	49	48		46		44				40				37	36						
						73						32	31	30	29	28	27			24			21	20	19	18	17		
SALEABLE	NOT APPLICABLE	34566-2843	0	A	BLACK						67	66																	
											47						41												
						73						32	31	30	29		27		25			22	21		19	18	17		
SALEABLE	NOT APPLICABLE	34566-2853	0	B	ST GR	72	71	70	69	68	67	66	65	64	63		61	60				57	56	55	54				
						52	51	50	49	48		46		44				40				37	36						
						73						32	31	30	29	28	27			24			21	20	19	18	17		
SALEABLE	NOT APPLICABLE	34566-2863	0	A	BLACK						67	66																	
											47						41												
						73						32	31	30	29		27		25			22	21		19	18	17		
SALEABLE	NOT APPLICABLE	34566-2873	0	B	ST GR	72	71	70	69	68	67	66							59	58	57	56	55		53				
						52	51	50	49	48	47									39	38	37	36	35		33			
						73						15					11	10		8		6	5	4	3				
SALEABLE	NOT APPLICABLE	34566-2883	0	A	BLACK			70	69						63	62	61			58	57	56	55	54	53				
						52	51		49				44	43	42	41						37	36			34			
						73						32			29	28	27	26							19	18			
SALEABLE	NOT APPLICABLE	34566-2893	0	A	BLACK				69		67	66		65		63			60			57	56		53				
									49		47	46		44	43			40				37	36	35			33		
						73						31	30	29	28				24			21	20					17	
SALEABLE	NOT APPLICABLE	34566-2913	0	B	ST GR					68	67			64						58									
												46	45									38							
						73						32		30	29	28	27				22							17	
SALEABLE	NOT APPLICABLE	34566-2923	0	B	ST GR						67			64															
												46	45																
						73						32		30	29	28	27											17	
SALEABLE	NOT APPLICABLE	34566-2933	0	A	BLACK	72			69		67			65		63			60			57	56		53				
									49		47			44	43			40				37	36	35			33		
						73						16	15	14				11	10				5	4	3	2	1		
SALEABLE	NOT APPLICABLE	34566-2943	0	B	ST GR					68	67			64	63				59		57								
												46	45			43				39		37							
						73						32		30	29	28	27						21						
SALEABLE	NOT APPLICABLE	34566-2953	0	B	ST GR					68	67			64	63				59										
												46	45			43				39							34		
						73						32		30	29	28	27												
SALEABLE	NOT APPLICABLE	34566-2963	0	H	ST GR		79							74	73	72	71		69	68	67			64		62	61		
							59											54	53	52		49	48	47				42	41
									38							33						29		27			25		

MX123 52/66/73/80-WAY RECEPTACLE ASSY SEALED PIN OUT SHEET

STATUS	GM PART #	HRNS CONN ASSY			TPA	GROMMET CAP																							
		MATERIAL/PART	WIRE DRESS OPTION	KEY OPTION Fp		COLOR OPTION Fp	NUMBERS INDICATE CAVITIES OPEN FOR CIRCUITS																						
		NUMBER																											
SALEABLE	NOT APPLICABLE	34566-2973	0	G	BLUE	80		78	77		75	74	73	72		70	69		67		65	64	63	62					
						60		58	57		55	54		52	51	50	49		47		45								
						40		38	37					33	32	31				27	26	25	24						
						20		18	17									10	9	8		6	5			3	2	1	
SALEABLE	NOT APPLICABLE	34566-9913	0	A	BLACK	72	71			68	67	66	65	64					59										
								50		48	47	46	45					40	39	38									
						73						31	30					25	24		22	21	20				17		
												14							9	7	6	5	4				2	1	
SALEABLE	NOT APPLICABLE	34566-9923	0	A	BLACK	72	71				67	66				62	61	60			57			55	54				
							51			48		46	45	44	43	42			39						35		33		
						73												26	25	24									
												15	14							8	7	6	5	4	3	2			
SALEABLE	NOT APPLICABLE	34566-9933	0	B	ST GRAY				69				65	64	63														
									49				45	44	43														
						73															22	21	20	19	18	17			
																12	11				6	5	4	3	2	1			
SALEABLE	NOT APPLICABLE	34566-9943	0	C	BLUE		71		69				65	64			61	60											
								50	49				45		43		41				37	36	35						
						73						31		29	28				24	23					19	18	17		
												16		13	12	11				8	7					3	2	1	
SALEABLE	NOT APPLICABLE	34566-9953	0	A	BLACK					67						62		60				57			55				
							51			48		46	45	44	43				39						35				
						73													25										
												15	14							7	6	5	4	3	2				
SALEABLE	NOT APPLICABLE	34566-9963	0	B	ST GRAY					68	67			64	63						58				55				
												46	45		43							38				35			
						73						32		30	29	28	27					22				19		17	
												15		13				10										1	
SALEABLE	NOT APPLICABLE	34566-9973	0	B	ST GRAY					68	67			64	63							58							
												46	45		43							38							
						73						32		30	29	28	27					22						17	
												15		13				10											
SALEABLE	NOT APPLICABLE	34566-2983	9	A	BLACK			70	69						63	62	61				58	57	56	55	54	53			
						52	51		49				44	43	42	41							37	36			34		
						73						32		29	28	27	26									19	18	17	
												16	15		13	12	11	10									3	2	1
SALEABLE	NOT APPLICABLE	34566-2993	9	B	ST GRAY	72	71	70		68	67	66				62	61	60	59	58	57	56	55	54	53				
						52	51	50		48	47	46				42	41	40	39	38	37	36	35	34	33				
						73						32	31	30	29	28	27	26	25	24									
												16	15	14	13			10	9	8									
SALEABLE	NOT APPLICABLE	34566-3013	9	C	BLUE	72	71	70	69	68	67	66			63	62			59			57	56	55		53			
						52	51					46		44		42		40	39	38							34	33	
						73						32		30				26	25			22	21				19	18	
												15	14					10	9			6	5	4	3				
SALEABLE	NOT APPLICABLE	34566-3023	0	G	BLUE		79			76					71					68					61				
										56				53							48				44	43	42	41	
										36	35	34						30	29	28							23	22	21
										16	15	14	13	12	11						7					4			
SALEABLE	NOT APPLICABLE	34566-3033	0	H	ST GRAY	80		78	77	76	75					70					66	65		63					
						60		58	57	56	55					51	50					46	45	44	43				
						40	39		37	36	35	34			32	31	30			28			26			24	23	22	
						20	19	18	17	16				13	12								6	5	4	3	2	1	
SALEABLE	NOT APPLICABLE	34566-3043	0	C	BLUE	72	71	70		68		66			63	62			59			57				53			
						52	51			48	47	46		44		42		40	39								34	33	
						73						32		30				27	26	25			22	21	20				
												15	14	13				10	9			6	5	4					
SALEABLE	NOT APPLICABLE	34566-3053	0	C	BLUE	72		70		68		66			63	62			59			57				53			
						52	51			48	47	46		44		42		40	39	38							34	33	
						73						32		30				27	26	25			22	21	20				
												15	14	13				10	9			6	5	4					

STATUS	GM PART #	HRNS CONN ASSY			TPA	GROMMET CAP																																									
		MATERIAL/PART	WIRE DRESS OPTION	KEY OPTION Fp	COLOR OPTION Fp	NUMBERS INDICATE CAVITIES OPEN FOR CIRCUITS																																									
		NUMBER																																													
SALEABLE	NOT APPLICABLE	34566-3063	0	A	BLACK			71											65	64	63				60							58	57	56	55	54	53										
						52	51																45	44	43	42	41										37	36	35	34	33						
						73				32															28			26												19	18						
SALEABLE	NOT APPLICABLE	34566-3073	0	A	BLACK			71													65	64	63				60									57	56	55	54	53							
						52	51																45	44	43	42	41											37	36	35	34	33					
						73				32																28			26												19	18					
SALEABLE	NOT APPLICABLE	34566-3083	0	A	BLACK			71														65	64	63				60										57	56	55	54	53					
						52	51																45	44	43	42	41													37	36	35	34	33			
						73				32																28			26													19	18				
SALEABLE	NOT APPLICABLE	34566-3093	0	A	BLACK			71														65	64	63				60											57	56	55	54	53				
						52	51																45	44	43	42	41														37	36	35	34	33		
						73				32																28			26														19	18			
SALEABLE	NOT APPLICABLE	34566-3113	0	A	BLACK			71														65	64	63				60												57	56	55	54	53			
						52	51																45	44	43	42	41															37	36	35	34	33	
						73				32																28			26															19	18		
SALEABLE	NOT APPLICABLE	34566-3123	0	B	ST GRY		72			70													66																			55	54	53			
						52			50																																			35	34	33	
						73				32	31	30															28	27		26	25	24															
SALEABLE	NOT APPLICABLE	34566-3133	0	C	BLUE		72			70																																		53			
						52	51																																						34	33	
						73				32																	30			26	25																
SALEABLE	NOT APPLICABLE	34566-3143	0	C	BLUE		72			70																																		53			
						52	51																																						34	33	
						73				32																	30			26	25																
SALEABLE	NOT APPLICABLE	34566-3153	0	A	BLACK					70	69																																	54			
						52	51																																						34	33	
						73				32																	28			26																19	18
SALEABLE	NOT APPLICABLE	34566-3163	0	C	BLUE		72			70																																		53			
						52	51																																						34	33	
						73				32																	30			26	25															19	18
SALEABLE	NOT APPLICABLE	34566-3173	0	A	BLACK					70	69																																	54			
						52	51																																							34	33
						73				32																	28			26																19	18
SALEABLE	NOT APPLICABLE	34566-3183	0	C	BLUE		72			70																																		53			
						52	51																																						34	33	
						73				32																	30			26	25																
SALEABLE	NOT APPLICABLE	34566-3193	0	A	BLACK						69																																	53			
						52	51																																							33	
						73				32																	28			26																	19
SALEABLE	NOT APPLICABLE	34566-3213	0	C	BLUE		72			70																																		53			
						52	51																																							34	33
						73				32																	30			26	25																
SALEABLE	NOT APPLICABLE	34566-3223	0	C	BLUE		72			70																																		53			
						52	51																																							34	33
						73				32																	30			27	26	25															

MX123 52/66/73/80-WAY RECEPTACLE ASSY SEALED PIN OUT SHEET

STATUS	GM PART #	HRNS CONN ASSY			TPA	GROMMET CAP																									
		MATERIAL/PART	WIRE DRESS OPTION	KEY OPTION Fp	COLOR OPTION Fp	NUMBERS INDICATE CAVITIES OPEN FOR CIRCUITS																									
		NUMBER				Fp																									
SALEABLE	NOT APPLICABLE	34566-3233	0	A	BLACK	70	69									63	62	61				58	57	56	55	54	53				
						52	51		49						44	43	42	41										36	35	34	33
						73			32			29	28	27	26															19	18
SALEABLE	NOT APPLICABLE	34566-3243	0	C	BLUE	72		70				66			63	62				59		57						53			
						52	51				46		44		42		40	39										34	33		
						73			32		30				26	25			22	21											
SALEABLE	NOT APPLICABLE	34566-3253	0	A	BLACK	70	69								63						58		56	55	54	53					
						52	51		49					44	43	42	41										36	35	34	33	
						73			32					28		26													19	18	
SALEABLE	NOT APPLICABLE	34566-3263	0	C	BLUE	72		70				66			63	62			59		57	56	55	54	53						
						52	51				46		44		42		40	39										34	33		
						73			32		30				26	25			22	21									19	18	
SALEABLE	NOT APPLICABLE	34566-3273	0	A	BLACK	70	69								63						58		56	55	54	53					
						52	51		49					44	43	42	41										36	35	34	33	
						73			32					28		26													19	18	17
SALEABLE	NOT APPLICABLE	34566-3283	0	C	BLUE	72		70			67	66			63	62			59		57							53			
						52	51				46		44		42		40	39										34	33		
						73				30				26	25			22	21												
SALEABLE	NOT APPLICABLE	34566-3293	0	B	ST GRAY	72	71	70		68	67	66			62	61	60	59	58	57	56	55	54	53							
						52	51	50		48	47				42	41	40	39	38	37	36	35	34	33							
						73			32	31	30	29	28	27	26	25	24	23													
SALEABLE	NOT APPLICABLE	34566-3313	0	C	BLUE	72		70							63	62			59		57							53			
						52	51				46		44		42		40	39										34	33		
						73			32		30				26	25			22	21											
SALEABLE	NOT APPLICABLE	34566-3323	0	B	ST GRAY	68	67	66	65	64	63							58					55								
								49		48	47	46	45	44	43					38											
						73			32		30	29	28	27						22										17	
SALEABLE	NOT APPLICABLE	34566-3333	0	A	BLACK	72	71	70	69	68			65	64	63		61		59	58	57	56			54						
						52	51	50	49		47				42	41			38	37	36			34	33						
						73			32	31	30	29	28	27	26		24	23						20	19	18	17				
SALEABLE	NOT APPLICABLE	34566-3343	0	A	BLACK	72			69	68	67	66	65	64	63						57	56			54						
								49		47			44	43	42		40					37	36	35							
						73				31	30	29	28		26		24						21	20						17	
SALEABLE	NOT APPLICABLE	34566-3353	0	B	ST GRAY	68	67			64							59	58						54							
										46	45								39	38											
						73			32		30	29	28	27						23	22									17	
SALEABLE	NOT APPLICABLE	34566-3363	0	A	BLACK	71		69	68			65	64	63		61		59		57	56			54							
						52		50	49		47				42	41	40	39	38	37	36			34	33						
						73			32	31	30	29	28	27	26		24	23	22				20	19	18					1	
SALEABLE	NOT APPLICABLE	34566-3373	9	C	BLUE	72		70		68	67	66			63	62			59		57	56	55	54	53						
						52	51			48	47	46		44		42		40	39	38								34	33		
						73			32		30				26	25			22	21								19	18		
SALEABLE	NOT APPLICABLE	34566-3383	0	A	BLACK	70	69	68	67	66	65	64	63		61		59	58	57	56			54								
						52		50	49	48	47				42	41			38	37	36			34	33						
						73			32	31	30	29	28	27	26		24	23						20	19	18				1	

MX123 52/66/73/80-WAY RECEPTACLE ASSY SEALED PIN OUT SHEET

STATUS	GM PART #	HRNS CONN ASSY			TPA	GROMMET CAP																							
		MATERIAL/PART	WIRE DRESS OPTION	KEY OPTION Fp	COLOR OPTION Fp	NUMBERS INDICATE CAVITIES OPEN FOR CIRCUITS																							
		NUMBER				Fp																							
SALEABLE	NOT APPLICABLE	34566-3393	0	C	BLUE	72		70		68	67	66			63	62			59		57					53			
						52	51			48	47	46		44			42		40	39								34	33
						73						32		30				26	25			22	21						
SALEABLE	NOT APPLICABLE	34566-3413	0	A	BLACK	72		70			67	66	65				61			58	57			55	54				
								50	49		47		45	44	43	42	41		39			37			35				
						73						32		30			27	26	25	24			21	20	19	18	17		
SALEABLE	NOT APPLICABLE	34566-3423	9	C	BLUE				69							63				58		56	55	54	53				
						52	51		49					44	43	42	41								36	35	34	33	
						73						32				28		26								19	18	17	
SALEABLE	NOT APPLICABLE	34566-3433	9	C	BLUE																								
						52	51							44	43	42	41												
						73						32				28		26								19	18	17	
SALEABLE	NOT APPLICABLE	34566-3443	0	A	BLACK		71		69				65	64	63			60			57	56	55	54	53				
						52	51		49				45	44	43	42	41					37	36	35	34	33			
						73						32		30		28		26			23					19	18		
SALEABLE	NOT APPLICABLE	34566-3453	0	A	BLACK																								
						73																			20				
																			61										
SALEABLE	NOT APPLICABLE	34566-3463	9	H	ST GRAY																								
						73																						1	
																													61
SALEABLE	NOT APPLICABLE	34566-3473	9	B	ST GRAY																								
						73						32	31	30	29	28	27		25	24			21	20		18	17		
						20														9			5						1
SALEABLE	NOT APPLICABLE	34566-3483	0	B	ST GRAY	72	71	70	69	68	67	66	65	64		62	61	60	59	58	57	56	55	54					
						52	51	50	49			46		44					40		38	37	36						
						73						32	31	30	29	28	27		25	24			21	20		18	17		
SALEABLE	NOT APPLICABLE	34566-3493	0	A	BLACK																								
						73						32		30			27	26	25	24			21	20	19	18	17		
						72		70			67	66	65					61			58	57			55	54			
SALEABLE	NOT APPLICABLE	34566-3513	0	A	BLACK				70	69																			
						52	51		49					44	43	42	41												
						73						32		29	28	27	26									19	18		
SALEABLE	NOT APPLICABLE	34566-3523	0	A	BLACK																								
						73						32		30			28		26						21	20	19	18	
						72		70										63	62							56	55	54	
SALEABLE	NOT APPLICABLE	34566-3533	9	A	BLACK				69																				
						52	51		49					44	43	42	41												
						73						32				28		26								19	18	17	
SALEABLE	NOT APPLICABLE	34566-3543	9	A	BLACK																								
						73						32		30			26	25			22	21							
						72	71	70	69	68	67	66	65					63	62	61		59	58	57	56	55	54	53	
SALEABLE	NOT APPLICABLE	34566-3553	9	C	BLUE																								
						52	51	50	49	48		46	45	44	43	42	41	40	39	38			36	35	34	33			
						73						32		30	29	28	27	26	25			22		20	19	18	17		

MX123 52/66/73/80-WAY RECEPTACLE ASSY SEALED PIN OUT SHEET

STATUS	GM PART #	HRNS CONN ASSY			TPA	GROMMET CAP																					
		MATERIAL/PART	WIRE DRESS OPTION	KEY OPTION Fp	COLOR OPTION Fp	NUMBERS INDICATE CAVITIES OPEN FOR CIRCUITS																					
		NUMBER																									
SALEABLE	NOT APPLICABLE	34566-3563	9	C	BLUE	72		70		68	67	66		63	62		59		57				53				
						52	51			48	47	46		44		42		40	39	38				34	33		
						73				32		30			27	26	25			22	21						
SALEABLE	NOT APPLICABLE	34566-3573	9	C	BLUE			70	69	68				63	62	61			58	57	56	55	54	53			
						52	51	50	49	48	47			44	43	42	41			37	36			34			
						73				32				29	28	27	26								19	18	
SALEABLE	NOT APPLICABLE	34566-3583	9	A	BLACK			70	69					63	62	61			58	57	56	55	54	53			
						52	51	50	49					44	43	42	41			37	36			34			
						73				32				29	28	27	26								19	18	
SALEABLE	NOT APPLICABLE	34566-3593	0	A	BLACK		71		69				64	63		60		58	57	56	55	54	53				
						52	51		49				45	44	43	42	41			37	36	35	34	33			
						73				32		30			28		26								19	18	
SALEABLE	NOT APPLICABLE	34566-3613	0	B	ST GRY					68	67			64	63			59									
												46	45		43												
						73				32		30	29	28	27												
SALEABLE	NOT APPLICABLE	34566-3623	0	A	BLACK	72		70	69					63	62	61	60	59	58	57	56	55	54	53			
						52	51		49				44	43	42	41			37	36				34			
						73				32				29	28	27	26								19	18	
SALEABLE	NOT APPLICABLE	34566-3633	0	C	BLUE	72		70		68	67	66		63	62		59		57					53			
						52	51			48	47	46		44			40	39	38	37	36			34	33		
						73				32		30				26	25	24	23	22	21						
SALEABLE	NOT APPLICABLE	34566-3643	0	B	ST GRY		71	70		68	67	66		64	63			59							53		
						52	51	50		48	47	46						39							34	33	
						73				32	31	30	29	28	27	26	25	24								17	
SALEABLE	NOT APPLICABLE	34566-3653	0	B	ST GRY		71	70	69	68		66	65	64	63			59							53		
						52	51	50	49	48	47	46	45	44	43			39							34	33	
						73				32		30	29	28	27	26	25	24								17	
SALEABLE	NOT APPLICABLE	34566-3663	0	A	BLACK			70	69					63	62	61	60	59	58	57	56	55	54	53			
						52	51		49				44	43	42	41			37	36				34			
						73				32				29	28	27	26								19	18	
SALEABLE	NOT APPLICABLE	34566-3673	9	C	BLUE		71	70	69	68	67		65		63	62	61		59	58	57	56	55	54	53		
							51	50	49	48			45	44	43	42	41	40	39	38			36	35	34	33	
						73					31	30	29	28	27	26				22		20	19	18	17		
SALEABLE	NOT APPLICABLE	34566-3683	9	H	ST GRY																			61			
														32													
						20							15					9				5					1
SALEABLE	NOT APPLICABLE	34566-3693	0	C	BLUE	72		70		68	67	66		63	62		59		57					53			
						52	51			48	47	46		44		42		40	39	38				34	33		
						73				32		30			27	26	25			22	21						
SALEABLE	NOT APPLICABLE	34566-3713	0	C	BLUE			70		68	67	66		63	62	61		59		57				53			
						52	51			48	47	46		44		42		40	39					34	33		
						73				32		30			27	26	25			22	21						
SALEABLE	NOT APPLICABLE	34566-3723	0	A	BLACK			70	69					63	62	61		58	57	56	55	54	53				
						52	51	50	49					44	43	42	41			37	36			34			
						73				32				29	28	27	26								19	18	

MX123 52/66/73/80-WAY RECEPTACLE ASSY SEALED PIN OUT SHEET

STATUS	GM PART #	HRNS CONN ASSY			TPA	GROMMET CAP																				
		MATERIAL/PART	WIRE DRESS OPTION	KEY OPTION Fp	COLOR OPTION Fp	NUMBERS INDICATE CAVITIES OPEN FOR CIRCUITS																				
		NUMBER				Fp																				
SALEABLE	NOT APPLICABLE	34566-3733	0	B	ST GRAY	72	71	70		68	67	66				62	61	60	59	58	57	56	55	54	53	
						52	51	50		48	47	46				42	41	40	39	38	37	36	35	34	33	
						73				32	31	30	29	28	27	26	25	24	23							
SALEABLE	NOT APPLICABLE	34566-3743	0	C	BLUE	72		70		68		66			63	62			59		57			53		
						52	51			48	47	46		44		42		40	39	38					34	33
						73				32		30			27	26	25			22	21					
SALEABLE	NOT APPLICABLE	34566-3753	0	C	BLUE	72		70		68		66			63	62			59		57			53		
						52	51			48	47	46		44		42		40	39						34	33
						73				32		30			27	26	25			22	21					
SALEABLE	NOT APPLICABLE	34566-3763	0	C	BLUE	72		70		68		66			63	62			59		57	56	55	54	53	
						52	51			48	47	46		44		42		40	39						34	33
						73				32		30			27	26	25			22	21					
SALEABLE	NOT APPLICABLE	34566-3773	0	A	BLACK			70	69						63				58		56	55	54	53		
						52	51	50	49					44	43	42	41		39					36		34
						73				32					28		26								19	18
SALEABLE	NOT APPLICABLE	34566-3783	0	A	BLACK			70	69						63				58		56	55	54	53		
						52	51	50	49					44	43	42	41		39					36		34
						73				32					28		26								19	18
SALEABLE	NOT APPLICABLE	34566-3793	0	A	BLACK		71	70						64	63			60		58	57	56	55	54	53	
						52	51		49				45	44	43	42	41				37	36			34	
						73				32		30			28		26		23		21				19	18
SALEABLE	NOT APPLICABLE	34566-3813	0	C	BLUE	72		70		68		66			63	62			59		57			53		
						52	51			48	47	46		44		42		40	39	38	37	36			34	33
						73				32		30			26	25	24			22	21	20				
SALEABLE	NOT APPLICABLE	34566-3823	0	A	BLACK			70	69						63		61			58	57	56	55	54	53	
						52	51		49					44	43		41				37	36			34	
						73				32					27	26									19	18
SALEABLE	NOT APPLICABLE	34566-3833	0	A	BLACK			70	69						63	62	61			57	56	55	54	53		
						52	51		49					44	43	42	41				37	36			34	
						73				32			29	28	27	26			23						19	18
SALEABLE	NOT APPLICABLE	34566-3843	0	A	BLACK	72	71	70	69	68	67	66			64	63	62		60	59			55	54	53	
						52			49	48				44	43	42	41	40	39					35	34	33
						73				32			29	28	27		25	24	23						19	18
SALEABLE	NOT APPLICABLE	34566-3853	0	A	BLACK	72	71	70	69	68	67	66	65	64	63	62		60	59			55	54	53		
						52			49	48			45	44	43	42	41	40	39					35	34	33
						73				32			29	28	27		25	24	23						19	18
SALEABLE	NOT APPLICABLE	34566-3863	0	B	ST GRAY	72	71	70		68	67	66				62	61	60	59	58	57	56	55	54	53	
						52	51	50		48	47	46				42	41	40	39	38	37	36	35	34	33	
						73				32	31	30	29	28	27	26	25	24								
SALEABLE	NOT APPLICABLE	34566-3873	0	B	ST GRAY										63				59	58	57	56	55			
								50	49	48		46	45		43					39	38	37	36	35	34	
						73							29		27					23	22	21				18
SALEABLE	NOT APPLICABLE	34566-3883	0	B	ST GRAY						67	66						59	58	57	56	55		53		
								50	49	48			45						39	38	37	36	35	34	33	
						73							29						23	22	21				18	

MX123 52/66/73/80-WAY RECEPTACLE ASSY SEALED PIN OUT SHEET

STATUS	GM PART #	HRNS CONN ASSY			TPA	GROMMET CAP																								
		MATERIAL/PART	WIRE DRESS OPTION	KEY OPTION Fp	COLOR OPTION Fp	NUMBERS INDICATE CAVITIES OPEN FOR CIRCUITS																								
		NUMBER				Fp																								
SALEABLE	NOT APPLICABLE	34566-4063	0	B	ST GRY					68	67			64					59	58					54					
SALEABLE	NOT APPLICABLE	34566-4073	0	A	BLACK	72			70					66			63	62			59		57	56	55		53			
						52	51					46		44		42		40	39			37	36			34	33			
SALEABLE	NOT APPLICABLE	34566-4083	0	C	BLUE	72			70					68				63	62			59	58	57			53			
						52	51					48	47			44		42		40	39	38	37	36			34	33		
SALEABLE	NOT APPLICABLE	34566-4093	0	A	BLACK		71	70	69					67			64	63			60			57	56	55	54	53		
						52	51		49				47		45	44	43	42	41							37	36		34	
SALEABLE	NOT APPLICABLE	34566-4113	0	B	ST GRY									68	67			64									58			
SALEABLE	NOT APPLICABLE	34566-4123	9	A	BLACK	72				69				67	66	65		63			60			57	56		53			
									49				47	46		44	43	42		40						37	36	35	33	
SALEABLE	NOT APPLICABLE	34566-4133	9	B	ST GRY									68	67			64					59	58			54			
SALEABLE	NOT APPLICABLE	34566-4143	0	B	ST GRY									68	67			64					59	58			54			
SALEABLE	NOT APPLICABLE	34566-4153	0	B	ST GRY	72			70					68						60	59					55	54	53		
						52			50				48		46		44				40	39					35	34	33	
SALEABLE	NOT APPLICABLE	34566-4163	0	B	ST GRY	72			70					68						60	59					55	54	53		
						52			50				48		46						40	39					35	34	33	
SALEABLE	NOT APPLICABLE	34566-4173	0	A	BLACK	72	71	70	69							64	63			60	59	58			56	55	54	53		
						52	51		49				47		45	44	43	42	41							38	36		34	
SALEABLE	NOT APPLICABLE	34566-4183	0	C	BLUE	72			70					68				63	62			59	58	57			53			
						52	51					48	47	46		44		42		40	39							34	33	
SALEABLE	NOT APPLICABLE	34566-4193	0	C	BLUE		71		69							65	64			61	60			58		56	55	54		
									49						45		43		41							38	37	36	35	
SALEABLE	NOT APPLICABLE	34566-4213	0	A	BLACK	72	71							68	67	66	65	64			60	59	58							
									50				48	47	46	45						40	39	38				35		
SALEABLE	NOT APPLICABLE	34566-4223	0	A	BLACK	72	71							68	67	66	65	64			60	59								
									50				48	47	46	45						40	39	38				35	33	

MX123 52/66/73/80-WAY RECEPTACLE ASSY SEALED PIN OUT SHEET

STATUS	GM PART #	HRNS CONN ASSY			TPA	GROMMET CAP																							
		MATERIAL/PART	WIRE DRESS OPTION	KEY OPTION Fp	COLOR OPTION Fp	NUMBERS INDICATE CAVITIES OPEN FOR CIRCUITS																							
		NUMBER				Fp																							
SALEABLE	NOT APPLICABLE	34566-4393	0	G	BLUE	60		78	77		75	74		72		70	69		67		65	64	63	62					
						40		58	57		55	54		52	51	50	49		47		45	44							
								38	37					33	32	31				27	26	25	24						
						20		18	17									10	9	8		6	5		3	2	1		
SALEABLE	NOT APPLICABLE	34566-4413	0	B	ST GRAY																								
								50	49	48		46		43				39	38	37	36	35	34	33					
						73						29		27				23	22	21						18			
										16	15	14										7	6	5	4	3			
SALEABLE	NOT APPLICABLE	34566-4423	9	C	BLUE	72		70		68	67	66			63	62			59		57				53				
						52	51			48	47	46		44		42		40	39	38	37	36			34	33			
						73								32		30			27	26	25	24		22	21				
										15	14							10	9	8		6	5	4			2		
SALEABLE	NOT APPLICABLE	34566-4433	9	A	BLACK			70	69						63	62	61	60			58	57	56	55	54	53			
						52	51	50	49					44	43	42	41	40				37	36			34	33		
						73								32			29	28	27	26							19	18	
										16	15	14	13	12	11	10												3	
SALEABLE	NOT APPLICABLE	34566-4443	9	A	BLACK						67	66																	
										48	47						41												
						73								32	31	30	29		27	26	25			22	21		19	18	17
										16	15	14	13																1
SALEABLE	NOT APPLICABLE	34566-4453	0	A	BLACK	72	71	70	69						63	62	61	60	59	58	57	56	55	54	53				
						52	51	50	49	48		46	45	44	43	42		40	39	38	37	36	35	34	33				
						73										28				24	23					20			
																12	11											2	1
SALEABLE	NOT APPLICABLE	34566-4463	9	B	ST GRAY																								
										48	47		45		43	42			39						35	34	33		
						73												11									19		
																													1
SALEABLE	NOT APPLICABLE	34566-4473	0	B	ST GRAY								64	63	62			59	58						53				
												47		45		43	42			39						35	34	33	
						73													26	25		23	22						
																													3
SALEABLE	NOT APPLICABLE	34566-4483	9	C	BLUE	72		70		68	67	66			63	62			59	58	57	56	55		53				
						52	51		49	48	47	46		44			40	39	38	37	36			34	33				
						73										30			27	26	25	24	23	22	21	20	19	18	17
												15	14	13				10	9	8	7	6	5	4	3	2	1		
SALEABLE	NOT APPLICABLE	34566-4493	9	A	BLACK	72	71	70	69						64	63	62	61	60	59	58	57	56	55	54	53			
						52	51	50	49	48	47		45	44	43	42	41	40	39			37	36			34			
						73								32		30	29	28	27	26		24	23		21		19	18	17
										16	15	14	13	12	11	10												3	2
SALEABLE	NOT APPLICABLE	34566-4513	9	B	ST GRAY	72	71	70		68	67	66						62	61	60	59	58	57	56	55	54	53		
						52	51	50		48	47	46					42	41	40	39	38	37	36	35	34	33			
						73								32	31	30	29	28	27	26	25	24	23				19	18	17
										16	15	14	13					10		8	7							3	2
SALEABLE	NOT APPLICABLE	34566-4523	0	G	BLUE			78	77		75	74		72		70	69		67		65	64	63	62					
						60		58	57		55	54		52	51	50	49		47		45	44							
						40		38	37									31				27	26	25	24				
						20		18	17										10	9	8		6	5		3	2	1	
SALEABLE	NOT APPLICABLE	34566-4533	0	A	BLACK	72			69		67		65		63			60			57	56				53			
									49		47			44	43			40			37	36	35				33		
						73										31	30	29	28			24			21	20			17
										16	15	14	13				11	10						5	4	3	2	1	
SALEABLE	NOT APPLICABLE	34566-4543	0	B	ST GRAY					68	67									58	57			55		53			
												46	45		64	63													
						73								32		30	29	28	27								19		17
																		12		10									
SALEABLE	NOT APPLICABLE	34566-4553	0	B	ST GRAY					68	67									58	57					53			
												46	45		64	63													
						73								32		30	29	28	27										
																			12		10								

MX123 52/66/73/80-WAY RECEPTACLE ASSY SEALED PIN OUT SHEET

STATUS	GM PART #	HRNS CONN ASSY			TPA	GROMMET CAP																						
		MATERIAL/PART	WIRE DRESS OPTION	KEY OPTION Fp	COLOR OPTION Fp	NUMBERS INDICATE CAVITIES OPEN FOR CIRCUITS																						
		NUMBER				Fp																						
SALEABLE	NOT APPLICABLE	34566-4733	0	A	BLACK	72	71	70	69					64	63			60	59	58		56	55	54	53			
						52	51		49		47		45	44	43	42	41							36		34		
						73				32		30		28		26							21		19	18		
SALEABLE	NOT APPLICABLE	34566-4743	9	A	BLACK	72	71	70	69		67		65	64	63	62	61	60	59	58	57	56	55	54	53			
						52	51	50	49	48	47		45	44	43	42	41	40	39			37	36		34			
						73				32		30	29	28	27	26		24	23				21		19	18	17	
SALEABLE	NOT APPLICABLE	34566-4753	0	B	ST GRAY					68	67			64						58								
												46	45									38						
						73				32		30	29	28	27								22				17	
SALEABLE	NOT APPLICABLE	34566-4763	0	B	ST GRAY					68	67			64														
												46	45															
						73				32		30	29	28	27												17	
SALEABLE	NOT APPLICABLE	34566-4773	0	B	ST GRAY					68	67			64					59	58				54				
												46	45								39	38						
						73				32		30	29	28	27							23	22				17	
SALEABLE	NOT APPLICABLE	34566-4783	0	B	ST GRAY					68	67			64	63								55					
												46	45			43								38		35		
						73				32		30	29	28	27									22		19	17	
SALEABLE	NOT APPLICABLE	34566-4793	0	B	ST GRAY					68	67			64	63													
												46	45			43												
						73				32		30	29	28	27												17	
SALEABLE	NOT APPLICABLE	34566-4813	9	B	ST GRAY					68	67			64					59	58				54				
												46	45								39	38						
						73				32		30	29	28	27							23	22				17	
SALEABLE	NOT APPLICABLE	34566-4823	0	C	BLUE					68	67	66	65	64						59	58	57		55	54	53		
							51	50	49	48		46	45		43	42	41	40	39	38	37				35		33	
						73				32	31	30					26		24	23	22				20			
SALEABLE	NOT APPLICABLE	34566-4833	0	C	BLUE				70	68	67	66			63	62					59		57			53		
						52	51			48	47	46		44		42		40	39					37	36		34	33
						73				32		30			27	26	25	24					22	21				
SALEABLE	NOT APPLICABLE	34566-4843	0	C	BLUE				70	68	67	66			63	62					59		57			53		
						52	51			48	47	46		44		42		40	39	38	37	36				34	33	
						73				32		30			27	26	25	24					22	21				
SALEABLE	NOT APPLICABLE	34566-4853	0	C	BLUE				70	68		66			63	62					59		57	56	55	53		
						52	51			48	47	46		44		42		40	39					37	36		34	33
						73				32		30			27	26	25	24					22	21			19	18
SALEABLE	NOT APPLICABLE	34566-4863	0	C	BLUE				70	68		66			63	62					59		57			53		
						52	51			48	47	46		44		42		40	39	38	37	36				34	33	
						73				32		30			27	26	25	24					22	21				
SALEABLE	NOT APPLICABLE	34566-4873	0	C	BLUE				70	68		66			63	62					59		57			53		
						52	51			48	47	46		44		42		40	39					37	36		34	33
						73				32		30			27	26	25	24					22	21				
SALEABLE	NOT APPLICABLE	34566-4883	9	A	BLACK				69				67		65		63				60		57	56		53		
									49		47	46		44	43								37	36	35		33	
						73				32		30	29	28									24		21	20		17
						16	15	14	13											5	4	3	2	1				

MX123 52/66/73/80-WAY RECEPTACLE ASSY SEALED PIN OUT SHEET

STATUS	GM PART #	HRNS CONN ASSY			TPA	GROMMET CAP																						
		MATERIAL/PART	WIRE DRESS OPTION	KEY OPTION ▽ Fp		COLOR OPTION ▽ Fp	NUMBERS INDICATE CAVITIES OPEN FOR CIRCUITS ▽ Fp																					
		NUMBER																										
SALEABLE	NOT APPLICABLE	34566-5063	9	H	ST GRAY	80	79	78	77	76	75	74	73	72	71	70	69	68	67	66	65	64	63	62	61			
						60	59	58	57	56	55	54	53	52	51	50	49	48	47	46	45	44	43	42	41	40		
						40	39	38	37		35	34	33	32		30	29		27	26		24	23	22	21			
						20	19	18	17			14	13	12	11	10	9	8		6	5			3	2			
SALEABLE	NOT APPLICABLE	34566-5073	9	A	BLACK	72	71	70	69	68	67	66	65	64	63	62	61	60	59	58	57	56	55	54	53			
						52	51	50	49	48	47	46	45	44	43	42	41	40	39	38	37	36		34	33			
						73				32	31	30	29	28	27	26		24	23	22	21	20	19	18				
										16			13	12	11	10	9	8									1	
SALEABLE	NOT APPLICABLE	34566-5083	9	A	BLACK			70	69						63	62	61	60		58	57	56	55	54	53			
						52	51		49				44	43	42	41			38	37					34			
						73				32			29	28	27	26			23						19	18		
										16	15		13	12	11	10		8							3			
SALEABLE	NOT APPLICABLE	34566-5093	0	B	ST GRAY	72	71	70	69	68	67	66	65	64	63	62	61	60	59	58	57	56	55	54	53			
						52	51	50	49	48	47	46	45	44	43	42	41	40	39	38	37	36	35	34	33			
						73							29		27				23	22	21						18	
										16	15	14	13					8	7	6	5	4	3					
SALEABLE	NOT APPLICABLE	34566-5113	0	A	BLACK	72	71	70	69	68	67	66		64	63	62		60	59				55	54	53			
						52			49	48				44	43	42	41	40	39					35	34	33		
						73				32			29		27		25	24	23						19	18	17	
										16			13	12	11	10	9	8	7	6	5	4	3	2	1			
SALEABLE	NOT APPLICABLE	34566-5123	9	C	BLUE	72		70		68	67	66			63	62		59		57				53				
						52	51			48	47	46	45	44			40	39	38	37	36				34	33		
						73				32		30			27	26	25	24		22	21	20						
											15	14				10	9	8		6	5	4				2		
SALEABLE	NOT APPLICABLE	34566-5133	9	B	ST GRAY	72	71	70		68	67	66				62	61	60	59	58	57	56	55	54	53			
						52	51	50		48	47	46				42	41	40	39	38	37	36	35	34	33			
						73				32	31	30	29	28	27	26	25	24	23									
										16	15	14	13					9	8									
SALEABLE	NOT APPLICABLE	34566-5143	0	C	BLUE	72		70		68	67	66			63	62		59		57				53				
						52	51			48	47	46		44		42		40	39		37	36			34	33		
						73				32		30				26	25	24		22	21	20						
											15	14				10	9	8		6	5	4				2		
SALEABLE	NOT APPLICABLE	34566-5153	0	A	BLACK			70	69						63	62	61	60		58	57	56	55	54	53			
						52	51		49		47			44	43	42	41			37	36	35	34	33				
						73				32			29	28	27	26	25								19	18		
										16	15		13	12	11	10									3			
SALEABLE	NOT APPLICABLE	34566-5163	9	A	BLACK	72			69		67		65		63			60			57	56			53			
									49		47			44	43			40			37	36	35			33		
						73					31	30	29	28				24			21	20					17	
										16	15	14				11	10				5	4	3	2	1			
SALEABLE	NOT APPLICABLE	34566-5173	9	B	ST GRAY					68	67			64	63			59		57								
												46	45		43			39		37								
						73				32		30	29	28	27					21								
																10				6	5	4	3					
SALEABLE	NOT APPLICABLE	34566-5183	0	B	ST GRAY					68	67			64				59	58					54				
												46	45	44				39	38									
						73				32		30	29	28	27				23	22							17	
														12		10		8										1
SALEABLE	NOT APPLICABLE	34566-5193	0	A	BLACK			70	69						63	62	61	60		58	57	56	55	54	53			
						52	51		49				44	43	42	41				37	36			34				
						73				32			29	28	27	26									19	18	17	
										16	15		13	12	11	10									3	2	1	
SALEABLE	NOT APPLICABLE	34566-5213	0	A	BLACK	72	71	70	69	68	67	66	65	64	63	62	61	60	59				55	54	53			
						52			49	48				44	43	42	41	40	39					35	34	33		
						73				32			29		27		25	24	23					19	18	17		
										16			13	12	11		9	8	7	6	5	4	3	2	1			
SALEABLE	NOT APPLICABLE	34566-5223	0	C	BLUE	72		70			67	66			63	62			59		57				53			
						52	51			48		46		44		42		40	39						34	33		
						73				32		30			27	26	25		22	21								
											15	14				10	9			6	5	4						




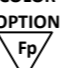

MX123 52/66/73/80-WAY RECEPTACLE ASSY SEALED PIN OUT SHEET

STATUS	GM PART #	HRNS CONN ASSY			TPA	GROMMET CAP																																																																																																											
		MATERIAL/PART	WIRE DRESS OPTION	KEY OPTION Fp	COLOR OPTION Fp	NUMBERS INDICATE CAVITIES OPEN FOR CIRCUITS																																																																																																											
		NUMBER				<table border="1"> <tr> <td>72</td><td></td><td></td><td>70</td><td></td><td>68</td><td>67</td><td>66</td><td></td><td></td><td>63</td><td>62</td><td></td><td></td><td>59</td><td></td><td>57</td><td>56</td><td>55</td><td></td><td>53</td> </tr> <tr> <td>52</td><td>51</td><td></td><td></td><td></td><td>48</td><td>47</td><td>46</td><td></td><td>44</td><td></td><td>42</td><td></td><td>40</td><td>39</td><td>38</td><td></td><td>22</td><td>21</td><td></td><td>19</td><td>18</td> </tr> <tr> <td colspan="4">73</td><td></td><td></td><td></td><td>32</td><td></td><td>30</td><td></td><td></td><td></td><td>26</td><td>25</td><td></td><td></td><td>6</td><td>5</td><td>4</td><td>3</td><td></td> </tr> <tr> <td colspan="4">73</td><td></td><td></td><td></td><td></td><td>15</td><td>14</td><td></td><td></td><td></td><td>10</td><td>9</td><td></td><td></td><td></td><td></td><td></td><td></td><td></td> </tr> </table>																			72			70		68	67	66			63	62			59		57	56	55		53	52	51				48	47	46		44		42		40	39	38		22	21		19	18	73							32		30				26	25			6	5	4	3		73								15	14				10	9									
72			70		68	67	66			63	62			59		57	56	55		53																																																																																													
52	51				48	47	46		44		42		40	39	38		22	21		19	18																																																																																												
73							32		30				26	25			6	5	4	3																																																																																													
73								15	14				10	9																																																																																																			
SALEABLE	NOT APPLICABLE	34566-5233	0	C	BLUE	<table border="1"> <tr> <td>72</td><td></td><td></td><td>70</td><td></td><td>68</td><td>67</td><td>66</td><td></td><td></td><td>63</td><td>62</td><td></td><td></td><td>59</td><td></td><td>57</td><td>56</td><td>55</td><td></td><td>53</td> </tr> <tr> <td>52</td><td>51</td><td></td><td></td><td></td><td>48</td><td>47</td><td>46</td><td></td><td>44</td><td></td><td>42</td><td></td><td>40</td><td>39</td><td>38</td><td></td><td>22</td><td>21</td><td></td><td>19</td><td>18</td> </tr> <tr> <td colspan="4">73</td><td></td><td></td><td></td><td>32</td><td></td><td>30</td><td></td><td></td><td></td><td>26</td><td>25</td><td></td><td></td><td>6</td><td>5</td><td>4</td><td>3</td><td></td> </tr> <tr> <td colspan="4">73</td><td></td><td></td><td></td><td></td><td>15</td><td>14</td><td></td><td></td><td></td><td>10</td><td>9</td><td></td><td></td><td></td><td></td><td></td><td></td><td></td> </tr> </table>																			72			70		68	67	66			63	62			59		57	56	55		53	52	51				48	47	46		44		42		40	39	38		22	21		19	18	73							32		30				26	25			6	5	4	3		73								15	14				10	9									
72			70		68	67	66			63	62			59		57	56	55		53																																																																																													
52	51				48	47	46		44		42		40	39	38		22	21		19	18																																																																																												
73							32		30				26	25			6	5	4	3																																																																																													
73								15	14				10	9																																																																																																			
SALEABLE	NOT APPLICABLE	34566-5243	0	C	BLUE	<table border="1"> <tr> <td>72</td><td>71</td><td>70</td><td>69</td><td>68</td><td>67</td><td>66</td><td>65</td><td></td><td></td><td>63</td><td>62</td><td>61</td><td></td><td>59</td><td>58</td><td>57</td><td>56</td><td>55</td><td>54</td><td>53</td> </tr> <tr> <td></td><td>51</td><td>50</td><td>49</td><td>48</td><td></td><td>46</td><td>45</td><td>44</td><td>43</td><td>42</td><td>41</td><td>40</td><td>39</td><td>38</td><td></td><td>36</td><td>35</td><td>34</td><td>33</td><td></td> </tr> <tr> <td colspan="4">73</td><td></td><td></td><td></td><td>31</td><td>30</td><td>29</td><td>28</td><td>27</td><td>26</td><td>25</td><td></td><td></td><td>22</td><td>21</td><td>20</td><td>19</td><td>18</td><td>17</td> </tr> <tr> <td colspan="4">73</td><td></td><td></td><td></td><td>16</td><td>15</td><td>14</td><td></td><td></td><td></td><td>9</td><td></td><td>7</td><td>6</td><td>5</td><td>4</td><td>3</td><td>2</td><td>1</td> </tr> </table>																			72	71	70	69	68	67	66	65			63	62	61		59	58	57	56	55	54	53		51	50	49	48		46	45	44	43	42	41	40	39	38		36	35	34	33		73							31	30	29	28	27	26	25			22	21	20	19	18	17	73							16	15	14				9		7	6	5	4	3	2	1			
72	71	70	69	68	67	66	65			63	62	61		59	58	57	56	55	54	53																																																																																													
	51	50	49	48		46	45	44	43	42	41	40	39	38		36	35	34	33																																																																																														
73							31	30	29	28	27	26	25			22	21	20	19	18	17																																																																																												
73							16	15	14				9		7	6	5	4	3	2	1																																																																																												
SALEABLE	NOT APPLICABLE	34566-5253	0	B	ST GRAY	<table border="1"> <tr> <td></td><td></td><td></td><td></td><td></td><td>67</td><td>66</td><td></td><td></td><td></td><td>63</td><td></td><td></td><td></td><td>59</td><td>58</td><td>57</td><td>56</td><td>55</td><td></td><td>53</td> </tr> <tr> <td></td><td></td><td>50</td><td>49</td><td>48</td><td></td><td>46</td><td>45</td><td></td><td>43</td><td></td><td></td><td></td><td>39</td><td>38</td><td>37</td><td>36</td><td>35</td><td>34</td><td>33</td><td></td> </tr> <tr> <td colspan="4">73</td><td></td><td></td><td></td><td></td><td></td><td>29</td><td>27</td><td></td><td></td><td></td><td>23</td><td>22</td><td>21</td><td></td><td></td><td></td><td>18</td><td></td> </tr> <tr> <td colspan="4">73</td><td></td><td></td><td></td><td>16</td><td>15</td><td>14</td><td>13</td><td></td><td></td><td></td><td>8</td><td>7</td><td>6</td><td>5</td><td>4</td><td>3</td><td></td><td></td> </tr> </table>																								67	66				63				59	58	57	56	55		53			50	49	48		46	45		43				39	38	37	36	35	34	33		73									29	27				23	22	21				18		73							16	15	14	13				8	7	6	5	4	3					
					67	66				63				59	58	57	56	55		53																																																																																													
		50	49	48		46	45		43				39	38	37	36	35	34	33																																																																																														
73									29	27				23	22	21				18																																																																																													
73							16	15	14	13				8	7	6	5	4	3																																																																																														
SALEABLE	NOT APPLICABLE	34566-5263	0	B	ST GRAY	<table border="1"> <tr> <td>72</td><td>71</td><td>70</td><td></td><td>68</td><td>67</td><td>66</td><td></td><td></td><td></td><td>62</td><td>61</td><td>60</td><td>59</td><td>58</td><td>57</td><td>56</td><td>55</td><td>54</td><td>53</td><td></td> </tr> <tr> <td>52</td><td>51</td><td>50</td><td></td><td>48</td><td>47</td><td>46</td><td></td><td></td><td></td><td>42</td><td>41</td><td>40</td><td>39</td><td>38</td><td>37</td><td>36</td><td>35</td><td>34</td><td>33</td><td></td> </tr> <tr> <td colspan="4">73</td><td></td><td></td><td></td><td>32</td><td>31</td><td>30</td><td>29</td><td>28</td><td>27</td><td></td><td>25</td><td>24</td><td></td><td></td><td></td><td></td><td></td><td>17</td> </tr> <tr> <td colspan="4">73</td><td></td><td></td><td></td><td>16</td><td>15</td><td>14</td><td>13</td><td></td><td></td><td>10</td><td></td><td>8</td><td></td><td></td><td></td><td></td><td>2</td><td>1</td> </tr> </table>																			72	71	70		68	67	66				62	61	60	59	58	57	56	55	54	53		52	51	50		48	47	46				42	41	40	39	38	37	36	35	34	33		73							32	31	30	29	28	27		25	24						17	73							16	15	14	13			10		8					2	1			
72	71	70		68	67	66				62	61	60	59	58	57	56	55	54	53																																																																																														
52	51	50		48	47	46				42	41	40	39	38	37	36	35	34	33																																																																																														
73							32	31	30	29	28	27		25	24						17																																																																																												
73							16	15	14	13			10		8					2	1																																																																																												
SALEABLE	NOT APPLICABLE	34566-5273	0	A	BLACK	<table border="1"> <tr> <td></td><td></td><td>70</td><td>69</td><td></td><td></td><td></td><td></td><td></td><td></td><td>63</td><td>62</td><td>61</td><td>60</td><td></td><td>58</td><td>57</td><td>56</td><td>55</td><td>54</td><td>53</td> </tr> <tr> <td>52</td><td>51</td><td></td><td>49</td><td></td><td></td><td></td><td></td><td>44</td><td>43</td><td>42</td><td>41</td><td></td><td></td><td></td><td>37</td><td>36</td><td></td><td></td><td>34</td><td></td> </tr> <tr> <td colspan="4">73</td><td></td><td></td><td></td><td>32</td><td></td><td></td><td>29</td><td>28</td><td>27</td><td>26</td><td></td><td></td><td>23</td><td></td><td></td><td></td><td>19</td><td>18</td> </tr> <tr> <td colspan="4">73</td><td></td><td></td><td></td><td>16</td><td>15</td><td>14</td><td>13</td><td>12</td><td>11</td><td>10</td><td>9</td><td>8</td><td></td><td></td><td></td><td></td><td>3</td><td></td> </tr> </table>																					70	69							63	62	61	60		58	57	56	55	54	53	52	51		49					44	43	42	41				37	36			34		73							32			29	28	27	26			23				19	18	73							16	15	14	13	12	11	10	9	8					3				
		70	69							63	62	61	60		58	57	56	55	54	53																																																																																													
52	51		49					44	43	42	41				37	36			34																																																																																														
73							32			29	28	27	26			23				19	18																																																																																												
73							16	15	14	13	12	11	10	9	8					3																																																																																													
SALEABLE	NOT APPLICABLE	34566-5283	0	C	BLUE	<table border="1"> <tr> <td>72</td><td></td><td>70</td><td></td><td>68</td><td>67</td><td>66</td><td></td><td></td><td></td><td>63</td><td>62</td><td></td><td></td><td>59</td><td></td><td>57</td><td>56</td><td>55</td><td>54</td><td>53</td> </tr> <tr> <td>52</td><td>51</td><td></td><td></td><td>48</td><td>47</td><td>46</td><td></td><td>44</td><td></td><td>42</td><td></td><td>40</td><td>39</td><td></td><td></td><td></td><td></td><td></td><td>34</td><td>33</td> </tr> <tr> <td colspan="4">73</td><td></td><td></td><td></td><td>32</td><td></td><td>30</td><td></td><td></td><td>26</td><td>25</td><td></td><td></td><td>22</td><td>21</td><td></td><td>19</td><td>18</td> </tr> <tr> <td colspan="4">73</td><td></td><td></td><td></td><td></td><td>15</td><td>14</td><td></td><td></td><td>10</td><td>9</td><td></td><td></td><td>6</td><td>5</td><td>4</td><td>3</td><td></td><td></td> </tr> </table>																			72		70		68	67	66				63	62			59		57	56	55	54	53	52	51			48	47	46		44		42		40	39						34	33	73							32		30			26	25			22	21		19	18	73								15	14			10	9			6	5	4	3						
72		70		68	67	66				63	62			59		57	56	55	54	53																																																																																													
52	51			48	47	46		44		42		40	39						34	33																																																																																													
73							32		30			26	25			22	21		19	18																																																																																													
73								15	14			10	9			6	5	4	3																																																																																														
SALEABLE	NOT APPLICABLE	34566-5293	0	A	BLACK	<table border="1"> <tr> <td></td><td></td><td>70</td><td>69</td><td></td><td></td><td></td><td></td><td></td><td></td><td>63</td><td>62</td><td>61</td><td>60</td><td></td><td>58</td><td>57</td><td>56</td><td>55</td><td>54</td><td>53</td> </tr> <tr> <td>52</td><td>51</td><td></td><td>49</td><td></td><td></td><td></td><td></td><td>44</td><td>43</td><td>42</td><td>41</td><td>40</td><td></td><td></td><td>37</td><td>36</td><td></td><td></td><td>34</td><td></td> </tr> <tr> <td colspan="4">73</td><td></td><td></td><td></td><td>32</td><td></td><td></td><td>29</td><td>28</td><td>27</td><td>26</td><td></td><td></td><td></td><td></td><td></td><td>19</td><td>18</td><td>17</td> </tr> <tr> <td colspan="4">73</td><td></td><td></td><td></td><td>16</td><td>15</td><td></td><td>13</td><td>12</td><td>11</td><td>10</td><td></td><td></td><td></td><td></td><td></td><td>3</td><td>2</td><td>1</td> </tr> </table>																					70	69							63	62	61	60		58	57	56	55	54	53	52	51		49					44	43	42	41	40			37	36			34		73							32			29	28	27	26						19	18	17	73							16	15		13	12	11	10						3	2	1			
		70	69							63	62	61	60		58	57	56	55	54	53																																																																																													
52	51		49					44	43	42	41	40			37	36			34																																																																																														
73							32			29	28	27	26						19	18	17																																																																																												
73							16	15		13	12	11	10						3	2	1																																																																																												
SALEABLE	NOT APPLICABLE	34566-5313	0	C	BLUE	<table border="1"> <tr> <td>72</td><td></td><td>70</td><td></td><td>68</td><td>67</td><td>66</td><td></td><td></td><td></td><td>63</td><td>62</td><td></td><td></td><td>59</td><td></td><td>57</td><td>56</td><td>55</td><td></td><td>53</td> </tr> <tr> <td>52</td><td>51</td><td></td><td></td><td>48</td><td>47</td><td>46</td><td></td><td>44</td><td></td><td>42</td><td></td><td>40</td><td>39</td><td>38</td><td>37</td><td>36</td><td></td><td></td><td>34</td><td>33</td> </tr> <tr> <td colspan="4">73</td><td></td><td></td><td></td><td>32</td><td></td><td>30</td><td></td><td></td><td>27</td><td>26</td><td>25</td><td>24</td><td></td><td>22</td><td>21</td><td></td><td>19</td><td>18</td> </tr> <tr> <td colspan="4">73</td><td></td><td></td><td></td><td></td><td>15</td><td>14</td><td></td><td></td><td>10</td><td>9</td><td>8</td><td></td><td>6</td><td>5</td><td>4</td><td>3</td><td>2</td><td></td> </tr> </table>																			72		70		68	67	66				63	62			59		57	56	55		53	52	51			48	47	46		44		42		40	39	38	37	36			34	33	73							32		30			27	26	25	24		22	21		19	18	73								15	14			10	9	8		6	5	4	3	2				
72		70		68	67	66				63	62			59		57	56	55		53																																																																																													
52	51			48	47	46		44		42		40	39	38	37	36			34	33																																																																																													
73							32		30			27	26	25	24		22	21		19	18																																																																																												
73								15	14			10	9	8		6	5	4	3	2																																																																																													
SALEABLE	NOT APPLICABLE	34566-5323	0	G	BLUE	<table border="1"> <tr> <td>80</td><td></td><td>78</td><td>77</td><td></td><td>75</td><td>74</td><td>73</td><td>72</td><td></td><td>70</td><td>69</td><td></td><td>67</td><td></td><td>65</td><td>64</td><td>63</td><td>62</td><td></td><td></td> </tr> <tr> <td>60</td><td></td><td>58</td><td>57</td><td></td><td>55</td><td>54</td><td></td><td>52</td><td>51</td><td>50</td><td>49</td><td></td><td>47</td><td></td><td>45</td><td></td><td></td><td></td><td></td><td></td><td></td> </tr> <tr> <td>40</td><td></td><td>38</td><td>37</td><td></td><td></td><td></td><td></td><td>33</td><td>32</td><td>31</td><td></td><td></td><td>27</td><td>26</td><td>25</td><td>24</td><td></td><td></td><td></td><td></td><td></td> </tr> <tr> <td>20</td><td></td><td>18</td><td>17</td><td></td><td></td><td></td><td></td><td></td><td></td><td></td><td></td><td>10</td><td>9</td><td>8</td><td></td><td>6</td><td>5</td><td>4</td><td>3</td><td>2</td><td>1</td> </tr> </table>																			80		78	77		75	74	73	72		70	69		67		65	64	63	62			60		58	57		55	54		52	51	50	49		47		45							40		38	37					33	32	31			27	26	25	24						20		18	17									10	9	8		6	5	4	3	2	1		
80		78	77		75	74	73	72		70	69		67		65	64	63	62																																																																																															
60		58	57		55	54		52	51	50	49		47		45																																																																																																		
40		38	37					33	32	31			27	26	25	24																																																																																																	
20		18	17									10	9	8		6	5	4	3	2	1																																																																																												
SALEABLE	NOT APPLICABLE	34566-5333	0	A	BLACK	<table border="1"> <tr> <td>72</td><td>71</td><td>70</td><td></td><td>68</td><td>67</td><td>66</td><td>65</td><td>64</td><td>63</td><td>62</td><td></td><td>60</td><td>59</td><td></td><td></td><td></td><td></td><td></td><td></td><td>53</td> </tr> <tr> <td></td><td>51</td><td></td><td>49</td><td>48</td><td>47</td><td>46</td><td>45</td><td>44</td><td>43</td><td></td><td>41</td><td>40</td><td></td><td></td><td></td><td></td><td></td><td></td><td></td><td></td><td></td> </tr> <tr> <td colspan="4">73</td><td></td><td></td><td></td><td></td><td>30</td><td>29</td><td>28</td><td></td><td>26</td><td>25</td><td>24</td><td></td><td></td><td></td><td></td><td>20</td><td></td><td></td><td>17</td> </tr> <tr> <td colspan="4">73</td><td></td><td></td><td></td><td></td><td></td><td></td><td>12</td><td>11</td><td></td><td></td><td></td><td></td><td></td><td></td><td></td><td></td><td></td><td></td><td></td> </tr> </table>																			72	71	70		68	67	66	65	64	63	62		60	59							53		51		49	48	47	46	45	44	43		41	40										73								30	29	28		26	25	24					20			17	73										12	11											
72	71	70		68	67	66	65	64	63	62		60	59							53																																																																																													
	51		49	48	47	46	45	44	43		41	40																																																																																																					
73								30	29	28		26	25	24					20			17																																																																																											
73										12	11																																																																																																						
SALEABLE	NOT APPLICABLE	34566-5343	0	B	ST GRAY	<table border="1"> <tr> <td></td><td></td><td></td><td></td><td>68</td><td>67</td><td></td><td></td><td>64</td><td></td><td></td><td></td><td></td><td>59</td><td>58</td><td></td><td></td><td></td><td></td><td></td><td>54</td> </tr> <tr> <td></td><td></td><td></td><td></td><td></td><td></td><td>46</td><td>45</td><td></td><td></td><td></td><td></td><td></td><td>39</td><td>38</td><td></td><td></td><td></td><td></td><td></td><td></td><td></td> </tr> <tr> <td colspan="4">73</td><td></td><td></td><td></td><td>32</td><td></td><td>30</td><td>29</td><td>28</td><td>27</td><td></td><td></td><td></td><td>23</td><td>22</td><td></td><td></td><td></td><td>17</td> </tr> <tr> <td colspan="4">73</td><td></td><td></td><td></td><td></td><td></td><td></td><td>12</td><td></td><td>10</td><td></td><td>8</td><td></td><td>6</td><td></td><td></td><td></td><td></td><td></td><td>1</td> </tr> </table>																							68	67			64					59	58						54							46	45						39	38								73							32		30	29	28	27				23	22				17	73										12		10		8		6						1	
				68	67			64					59	58						54																																																																																													
						46	45						39	38																																																																																																			
73							32		30	29	28	27				23	22				17																																																																																												
73										12		10		8		6						1																																																																																											
SALEABLE	NOT APPLICABLE	34566-5353	9	B	ST GRAY	<table border="1"> <tr> <td></td><td></td><td></td><td></td><td>68</td><td>67</td><td></td><td></td><td>64</td><td>63</td><td></td><td></td><td></td><td>59</td><td>58</td><td></td><td></td><td></td><td></td><td>55</td><td>54</td> </tr> <tr> <td></td><td></td><td></td><td></td><td></td><td></td><td>46</td><td>45</td><td>44</td><td>43</td><td></td><td></td><td></td><td>39</td><td>38</td><td></td><td></td><td></td><td></td><td>35</td><td>34</td> </tr> <tr> <td colspan="4">73</td><td></td><td></td><td></td><td>32</td><td></td><td>30</td><td>29</td><td>28</td><td>27</td><td></td><td></td><td></td><td>23</td><td>22</td><td></td><td></td><td>19</td><td>17</td> </tr> <tr> <td colspan="4">73</td><td></td><td></td><td></td><td></td><td>15</td><td></td><td>13</td><td>12</td><td></td><td>10</td><td></td><td></td><td>6</td><td></td><td></td><td></td><td></td><td>1</td> </tr> </table>																							68	67			64	63				59	58					55	54							46	45	44	43				39	38					35	34	73							32		30	29	28	27				23	22			19	17	73								15		13	12		10			6					1			
				68	67			64	63				59	58					55	54																																																																																													
						46	45	44	43				39	38					35	34																																																																																													
73							32		30	29	28	27				23	22			19	17																																																																																												
73								15		13	12		10			6					1																																																																																												
SALEABLE	NOT APPLICABLE	34566-5363	0	C	BLUE	<table border="1"> <tr> <td>72</td><td></td><td>70</td><td></td><td>68</td><td></td><td>66</td><td></td><td></td><td></td><td>63</td><td>62</td><td></td><td></td><td>59</td><td></td><td>57</td><td></td><td></td><td></td><td>53</td> </tr> <tr> <td>52</td><td>51</td><td></td><td></td><td>48</td><td>47</td><td>46</td><td></td><td>44</td><td></td><td>42</td><td></td><td>40</td><td>39</td><td>38</td><td></td><td></td><td></td><td></td><td>34</td><td>33</td> </tr> <tr> <td colspan="4">73</td><td></td><td></td><td></td><td>32</td><td></td><td>30</td><td></td><td></td><td>26</td><td>25</td><td></td><td></td><td>22</td><td>21</td><td></td><td></td><td></td><td></td> </tr> <tr> <td colspan="4">73</td><td></td><td></td><td></td><td></td><td>15</td><td>14</td><td></td><td></td><td>10</td><td>9</td><td></td><td></td><td>6</td><td>5</td><td>4</td><td></td><td></td><td></td><td></td> </tr> </table>																			72		70		68		66				63	62			59		57				53	52	51			48	47	46		44		42		40	39	38					34	33	73							32		30			26	25			22	21					73								15	14			10	9			6	5	4						
72		70		68		66				63	62			59		57				53																																																																																													
52	51			48	47	46		44		42		40	39	38					34	33																																																																																													
73							32		30			26	25			22	21																																																																																																
73								15	14			10	9			6	5	4																																																																																															
SALEABLE	NOT APPLICABLE	34566-5373	0	C	BLUE	<table border="1"> <tr> <td>72</td><td></td><td>70</td><td></td><td>68</td><td></td><td>66</td><td></td><td></td><td></td><td>63</td><td>62</td><td></td><td></td><td>59</td><td></td><td>57</td><td></td><td></td><td></td><td>53</td> </tr> <tr> <td>52</td><td>51</td><td></td><td></td><td>48</td><td>47</td><td>46</td><td></td><td>44</td><td></td><td>42</td><td></td><td>40</td><td>39</td><td></td><td></td><td></td><td></td><td></td><td>34</td><td>33</td> </tr> <tr> <td colspan="4">73</td><td></td><td></td><td></td><td>32</td><td></td><td>30</td><td></td><td></td><td>26</td><td>25</td><td></td><td></td><td>22</td><td>21</td><td></td><td></td><td></td><td></td> </tr> <tr> <td colspan="4">73</td><td></td><td></td><td></td><td></td><td>15</td><td>14</td><td></td><td></td><td>10</td><td>9</td><td></td><td></td><td>6</td><td></td><td></td><td></td><td></td><td></td><td></td> </tr> </table>																			72		70		68		66				63	62			59		57				53	52	51			48	47	46		44		42		40	39						34	33	73							32		30			26	25			22	21					73								15	14			10	9			6								
72		70		68		66				63	62			59		57				53																																																																																													
52	51			48	47	46		44		42		40	39						34	33																																																																																													
73							32		30			26	25			22	21																																																																																																
73								15	14			10	9			6																																																																																																	
SALEABLE	NOT APPLICABLE	34566-5383	0	C	BLUE	<table border="1"> <tr> <td>72</td><td></td><td>70</td><td></td><td>68</td><td></td><td>66</td><td></td><td></td><td></td><td>63</td><td>62</td><td></td><td></td><td>59</td><td></td><td>57</td><td></td><td></td><td></td><td>53</td> </tr> <tr> <td>52</td><td>51</td><td></td><td></td><td>48</td><td>47</td><td>46</td><td></td><td>44</td><td></td><td>42</td><td></td><td>40</td><td>39</td><td></td><td>37</td><td>36</td><td></td><td></td><td>34</td><td>33</td> </tr> <tr> <td colspan="4">73</td><td></td><td></td><td></td><td>32</td><td></td><td>30</td><td></td><td></td><td>26</td><td>25</td><td>24</td><td></td><td>22</td><td>21</td><td></td><td></td><td></td><td></td> </tr> <tr> <td colspan="4">73</td><td></td><td></td><td></td><td></td><td>15</td><td>14</td><td></td><td></td><td>10</td><td>9</td><td>8</td><td></td><td>6</td><td>5</td><td>4</td><td></td><td></td><td>2</td><td></td> </tr> </table>																			72		70		68		66				63	62			59		57				53	52	51			48	47	46		44		42		40	39		37	36			34	33	73							32		30			26	25	24		22	21					73								15	14			10	9	8		6	5	4			2			
72		70		68		66				63	62			59		57				53																																																																																													
52	51			48	47	46		44		42		40	39		37	36			34	33																																																																																													
73							32		30			26	25	24		22	21																																																																																																
73								15	14			10	9	8		6	5	4			2																																																																																												

MX123 52/66/73/80-WAY RECEPTACLE ASSY SEALED PIN OUT SHEET

STATUS	GM PART #	HRNS CONN ASSY			TPA	GROMMET CAP																					
		MATERIAL/PART	WIRE DRESS OPTION	KEY OPTION		COLOR OPTION	NUMBERS INDICATE CAVITIES OPEN FOR CIRCUITS																				
		NUMBER		Fp			Fp																				
SALEABLE	NOT APPLICABLE	34566-5393	0	A	BLACK	70	69									63					56	55	54	53			
						52	51		49					44	43	42	41						36		34		
						73					32			28		26			23			21			19	18	
SALEABLE	NOT APPLICABLE	34566-5413	0	A	BLACK	70	69								63					56	55	54	53				
						52	51		49					44	43	42	41						36		34		
						73					32			28		26			23			21			19	18	
SALEABLE	NOT APPLICABLE	34566-5423	0	A	BLACK	70	69								63					56	55	54	53				
						52	51		49					44	43	42	41						36		34		
						73					32			28		26			23			21			19	18	
SALEABLE	NOT APPLICABLE	34566-5433	9	B	ST GRAY	68	67								64				59	58			54				
												46	45							39	38						
						73					32		30	29	28	27			23	22							17
SALEABLE	NOT APPLICABLE	34566-5443	9	B	ST GRAY	68	67								64				59	58			54				
												46	45							39	38						
						73					32		30	29	28	27			23	22							17
SALEABLE	NOT APPLICABLE	34566-5453	0	B	ST GRAY	68	67								64				59	58			54				
												46	45							39	38						
						73					32		30	29	28	27			23	22							17
SALEABLE	NOT APPLICABLE	34566-5463	0	A	BLACK	72		70							63												
						52			49								41										
						73					16	15	14		12		10			6							
SALEABLE	NOT APPLICABLE	34566-5473	0	A	BLACK	72	71	70							63				60	59			56		53		
						52	51			68	67	66	65	64	63	62		60	59								
						73					16	15	14		12	11	10			6						20	19
SALEABLE	NOT APPLICABLE	34566-5483	0	B	ST GRAY	72		70							63				60	59			55	54	53		
						52		50		48		46		64	63			40	39						35	34	33
						73					32	31	30	29	28	27	26	25	24							20	
SALEABLE	NOT APPLICABLE	34566-5493	0	A	BLACK	72		70	69						63				60	59	58	57	56	55	54	53	
						52	51		49					44	43	42	41	40					37	36		34	
						73					16	15	14		12		10									19	18
SALEABLE	NOT APPLICABLE	34566-5513	9	B	ST GRAY	68	67								63				58				55				
												46	45			43				38					35		
						73					32		30	29	28	27			22							19	
SALEABLE	NOT APPLICABLE	34566-5523	9	A	BLACK	72			69						63				60			57	56		53		
									49					44	43	42		40				37	36	35			33
						73					16	15	14	13		11	10					5	4	3	2	1	
SALEABLE	NOT APPLICABLE	34566-5533	9	B	ST GRAY	68	67								64				59	58					54		
												46	45							39	38						
						73					32		30	29	28	27			23	22							
SALEABLE	NOT APPLICABLE	34566-5543	9	A	BLACK	68	67								64				59	58					54		
												46	45							39	38						
						73					32		30	29	28	27			23	22							
SALEABLE	NOT APPLICABLE	34566-5553	9	B	ST GRAY	68	67								64				59	58					54		
												46	45							39	38						
						73					32		30	29	28	27			23	22							

MX123 52/66/73/80-WAY RECEPTACLE ASSY SEALED PIN OUT SHEET

STATUS	GM PART #	HRNS CONN ASSY			TPA	GROMMET CAP																									
		MATERIAL/PART	WIRE DRESS OPTION	KEY OPTION 		COLOR OPTION 	NUMBERS INDICATE CAVITIES OPEN FOR CIRCUITS 																								
		NUMBER																													
SALEABLE	NOT APPLICABLE	34566-5563	0	A	BLACK	72	71	70	69					64	63			60	59	58	57	56	55	54	53						
						52	51		49	48	47		45	44	43	42	41							37	36			19	18	17	
						73				32		30		28		26													3	2	1
										16	15			12		10															
SALEABLE	NOT APPLICABLE	34566-5573	0	C	BLUE	72		70		68		66		63	62			59	58	57	56	55			53						
						52	51		49	48	47	46		44		42		40	39	38	37	36					34	33			
						73				32		30				26	25	24	23	22	21	20	19	18	17						
										15	14	13				10	9	8	7	6	5	4									
SALEABLE	NOT APPLICABLE	34566-5583	0	B	ST GR Y	72		70		68		66		64	63			60	59							55	54	53			
						52		50		48		46						40	39								35	34	33		
						73				32	31	30	29	28	27	26	25	24	23			20									
										16						10		8	7		5	4						2	1		
SALEABLE	NOT APPLICABLE	34566-5593	0	C	BLUE	72		70		68		66		63	62			59	58	57					55	54	53				
						52	51			48	47	46		44		42		40	39									34	33		
						73				32		30				26	25		23	22	21										
											15	14				10	9		7	6	5	4									
SALEABLE	NOT APPLICABLE	34566-5613	0	C	BLUE	72		70		68		66		63	62			59	58	57						55	54	53			
						52	51			48	47			44		42		40	39									34	33		
						73				32		30			27	26	25	24	23	22	21	20									
											15	14	13					8	7	6	5	4						2	1		
SALEABLE	NOT APPLICABLE	34566-5623	0	C	BLUE	72		70		68		66		63	62			59	58	57						55	54	53			
						52	51			48	47			44		42		40	39									34	33		
						73				32		30			27	26	25	24	23	22	21	20									
											15	14	13					8	7	6	5	4						2	1		
SALEABLE	NOT APPLICABLE	34566-5633	0	B	ST GR Y	72									62	61															
						52				48		46		44	43		41	40										20	19	18	
						73						30																			
										16	15	14																	4		
SALEABLE	NOT APPLICABLE	34566-5643	0	B	ST GR Y	72									62	61															
						52				48		46		44	43		41	40										20	19	18	
						73						30																			
										16	15	14																	4		
SALEABLE	NOT APPLICABLE	34566-5653	0	A	BLACK	72	71	70	69	68		66	65	64	63		61	60			57	56			54	53					
						52	51	50	49	48		46	45	44	43		41	40			39	38	37	36			34	33			
						73				32	31	30	29	28				26	25			23	22	21							
											15	14	13	12				9		7	6	5							2		
SALEABLE	NOT APPLICABLE	34566-5663	0	C	BLUE				69		67	66	64		62		60			57					55	54					
						52	51	50		48		46	45	44		42											35	34	33		
						73				32	31			28	27	26													19	18	
										16	15	14																			
SALEABLE	NOT APPLICABLE	34566-5673	0	C	BLUE				69		67	66	64		62		60			57					55	54					
						52	51	50	49	48		46	45	44		42											35	34	33		
						73				32	31			28	27	25													18		
										16	15	14	13	12	11	10	9														
SALEABLE	NOT APPLICABLE	34566-5683	0	B	ST GR Y	72									62	61															
						52				48		46		44	43		41	40									20	19	18		
						73						30																			
										16		14																	4		
SALEABLE	NOT APPLICABLE	34566-5693	0	A	BLACK	72	71	70	69	68		66	65	64	63		61	60			57	56			54	53					
						52	51	50	49	48		46	45	44	43		41	40			39	38	37	36			34	33			
						73				32	31	30	29	28				26	25			23	22	21	20						
											15	14	13	12				9		7	6	5	4						2		
SALEABLE	NOT APPLICABLE	34566-5713	0	C	BLUE				69		67	66	64		62		60			57					55	54					
						52	51	50		48		46	45	44		42											35	34	33		
						73				32	31			28	27	26													19	18	17
										16	15	14	13	12	11	10	9	8	7												
SALEABLE	NOT APPLICABLE	34566-5723	0	C	BLUE				69		67	66	64		62		60			57					55	54					
						52	51	50	49	48		46	45	44		42											35	34	33		
						73						31		28	27	25													18		
										16	15	14	13	12	11	10	9	8	7												

MX123 52/66/73/80-WAY RECEPTACLE ASSY SEALED PIN OUT SHEET

STATUS	GM PART #	HRNS CONN ASSY			TPA	GROMMET CAP																							
		MATERIAL/PART	WIRE DRESS OPTION	KEY OPTION Fp	COLOR OPTION Fp	NUMBERS INDICATE CAVITIES OPEN FOR CIRCUITS																							
		NUMBER				Fp																							
SALEABLE	NOT APPLICABLE	34566-5733	0	A	BLACK	52	71	70	69						64	63			60	59	58	57	56	55	54	53			
									49					45	44	43	42	41									36		
						73				32		30			28		26											19	18
SALEABLE	NOT APPLICABLE	34566-5743	0	A	BLACK	52	71	70	69						64	63			60	59		57	56	55	54	53			
									49					45	44	43	42	41									36		
						73				32		30			28		26											19	18
SALEABLE	NOT APPLICABLE	34566-5753	0	A	BLACK	52	71	70	69						64	63			60	59		57	56	55	54	53			
									49					45	44	43	42	41									36		
						73				32		30			28		26											19	18
SALEABLE	NOT APPLICABLE	34566-5763	0	C	BLUE	72		70		68		66			63	62			59	58	57					53			
						52	51			48	47	46		44		42		40	39								36		34
						73				32		30			27	26	25	24										22	21
SALEABLE	NOT APPLICABLE	34566-5773	0	C	BLUE	72		70		68		66			63	62			59	58	57					53			
						52	51			48	47			44		42		40	39								36		34
						73				32		30			27	26	25	24										22	21
SALEABLE	NOT APPLICABLE	34566-5783	0	C	BLUE	72		70		68		66			63	62			59	58	57					53			
						52	51			48	47			44		42		40	39								36		34
						73				32		30			27	26	25	24										22	21
SALEABLE	NOT APPLICABLE	34566-5793 SAME AS P/N 34566-4013	0	B	ST GRN	72		70		68		66					60	59							55	54	53		
						52		50		48		46					40	39									35	34	33
						73				32	31	30	29	28	27	26	25	24											
SALEABLE	NOT APPLICABLE	34566-5813	0	B	ST GRN	72		70		68		66					60	59							55	54	53		
						52		50		48		46					40	39									35	34	33
						73				32	31	30	29	28	27	26	25	24	23										19
SALEABLE	NOT APPLICABLE	34566-5823	0	A	BLACK	72		70							63														
						52			49						43		41												
						73					31	30		28	27	26												20	19
SALEABLE	NOT APPLICABLE	34566-5833	0	A	BLACK	72		70							63														
						52			49						43		41												
						73					31	30		28	27	26												20	19
SALEABLE	NOT APPLICABLE	34566-5843	0	H	ST GRN		79																						
							59		57																				
								38																					
SALEABLE	NOT APPLICABLE	34566-5853	0	H	ST GRN			38																					
								18																					
							79		57																				
SALEABLE	NOT APPLICABLE	34566-5863	0	C	BLUE	72		70				66			63	62			59		57	56	55			53			
						52	51					46		44		42		40	39								36		34
						73				32		30				26	25											19	18
SALEABLE	NOT APPLICABLE	34566-5873	0	B	ST GRN																								
						73				16	15	14																4	
SALEABLE	NOT APPLICABLE	34566-5883	0	B	ST GRN	72										62	61												
						52						48	47	46		44	43		41	40									
						73						30																	20

MX123 52/66/73/80-WAY RECEPTACLE ASSY SEALED PIN OUT SHEET

STATUS	GM PART #	HRNS CONN ASSY			TPA	GROMMET CAP																																
		MATERIAL/PART	WIRE DRESS OPTION	KEY OPTION Fp	COLOR OPTION Fp	NUMBERS INDICATE CAVITIES OPEN FOR CIRCUITS																																
		NUMBER				Fp																																
SALEABLE	NOT APPLICABLE	34566-5893	0	C	BLUE				69		67	66				62		60			57		55	54														
						52	51	50		48		46	45	44		42										37		35	34	33								
						73				32				28	27	26														19	18							
SALEABLE	NOT APPLICABLE	34566-5913	0	C	BLUE				69		67	66				61	60			57																		
						52	51	50	49	48		46	45	44			41												37		34	33						
						73				32				28	27	25																18						
SALEABLE	NOT APPLICABLE	34566-5933	0	C	BLUE	72			70		68		66			63	62			59		57	56	55														
						52	51			48	47	46		44		42		40	39													34	33					
						73				32		30				26	25		23	22	21																	
SALEABLE	NOT APPLICABLE	34566-5943	0	C	BLUE				69		67	66				61	60			57																		
						52	51		49	48	47	46		44		42		40	39													34	33					
						73				32		30				27	26	25			22	21	20															
SALEABLE	NOT APPLICABLE	34566-5953	0	A	BLACK		71	70	69					65	64	63	62	61	60			58	57	56	55	54	53											
						52	51		49	48	47		45	44	43	42	41																34	33				
						73				32			30	29	28	27	26			24														19	18			
SALEABLE	NOT APPLICABLE	34566-5963	0	B	ST GRAY	72	71	70			68	67	66			62	61	60	59	58	57	56	55	54	53													
						52	51	50		48	47	46				42	41	40	39	38	37	36	35	34	33													
						73				32	31	30	29	28	27	26	25	24																18				
SALEABLE	NOT APPLICABLE	34566-5973	0	C	BLUE				69		67	66				61	60			57																		
						52	51			48	47	46		44		42		40	39													34	33					
						73				32		30				27	26	25			22	21											19	18				
SALEABLE	NOT APPLICABLE	34566-5983	0	C	BLUE				69		67	66		64		62		60			57																	
						52	51	50		48		46	45	44		42																37		35	34	33		
						73				32				28	27	26																		19	18			
SALEABLE	NOT APPLICABLE	34566-5993	0	A	BLACK		71	70	69					67	66	65			63	62	61	60			58	57	56	55	54	53								
						52	51	50	49		47		45	44	43	42	41	40	39															37	36	35	34	33
						73				32	31	30	29	28	27	26	25	24	23			21	20	19	18	17												
SALEABLE	NOT APPLICABLE	34566-6013	0	B	ST GRAY				69		67		65				61	60	59	58	57																	
							51	50	49	48	47	46	45		43			40	39															34	33			
						73				32	31	30	29			26		24	23	22	21	20												18				
SALEABLE	NOT APPLICABLE	34566-6023	0	A	BLACK	72	71	70	69		68	67					60	59	58	57	56											54	53					
						52	51	50	49	48	47		45	44	43			40	39	38	37	36	35	34	33													
						73				32	31	30	29	28				24	23	22	21	20	19											17				
SALEABLE	NOT APPLICABLE	34566-6033	0	A	BLACK				70	69						63	62	61			58	57	56	55	54	53												
						52	51		49				44	43	42	41																		37	36	35	34	
						73				32			29	28	27	26					8				5										3			
SALEABLE	NOT APPLICABLE	34566-6043	0	B	ST GRAY						68	67	66	65	64						58																	
												46	45																									
						73				32		30	29	28	27																				19		17	
SALEABLE	NOT APPLICABLE	34566-6053	0	B	ST GRAY						68	67	66	65	64						58																	
						72				48	47	46			43		41	40																				
						73						30																							20	19	18	
SALEABLE	NOT APPLICABLE	34566-6063	0	C	BLUE				69		67	66		64		62		60			57																	
						52	51	50		48		46	45	44		42																	37		35	34	33	
						73				32				28	27	26																			19	18	17	

STATUS	GM PART #	HRNS CONN ASSY			TPA	GROMMET CAP																			
		MATERIAL/PART	WIRE DRESS OPTION	KEY OPTION Fp		COLOR OPTION Fp	NUMBERS INDICATE CAVITIES OPEN FOR CIRCUITS																		
		NUMBER					Fp																		
SALEABLE	NOT APPLICABLE	34566-6073	0	C	BLUE	52	51	50	69	48	67	66	45	64	61	60	57	54	34	33					
						73				32		28	27	25						18	17				
						72		70		68	67	66		63	62		59	57							
SALEABLE	NOT APPLICABLE	34566-6083	0	C	BLUE	52	51			48	47	46		44	42		40	39	37	36	34	33			
						73				32		30		26	25		22	21							
						72		70		68	67	66		63	62		59	57							
SALEABLE	NOT APPLICABLE	34566-6093	0	B	ST GRAY	52						46		43		41	40								
						73								27					20	19	18				
						72		70		67				63	62	61	60	59							
SALEABLE	NOT APPLICABLE	34566-6113	0	A	BLACK	72	71	70	69	68		66	65	64	63	62	61	60	58	57	56	55	54	53	
						52	51	50	49	48		46	45	44	43	42	41	40	39	38	37	36		34	33
						73				32	31	30	29	28	27	26	25		23	22	21	20	19	18	
SALEABLE	NOT APPLICABLE	34566-6123	0	C	BLUE	52	51	50	69	48		46	45	44		42				37		34	33		
						73								28	27	26									
						72		70		68	67			63	62		59	57							
SALEABLE	NOT APPLICABLE	34566-6133	9	C	BLUE	52	51			48	47			44	42		40	39	38	37	36		34	33	
						73				32		30		26	25	24		22	21						
						72		70		68	67			63	62		59	57							
SALEABLE	NOT APPLICABLE	34566-6173	9	B	ST GRAY					48	47				41										
						73				32	31	30	29		27	26	25	24		22	21		19	18	17
						72		70		68	67			63	62		59	57							
SALEABLE	NOT APPLICABLE	34566-6183	9	A	BLACK					48	47				41										
						73				32	31	30	29		27	26	25	24		22	21		19	18	17
						72	71	70	69	68	67	66	65	64		62	61	60	59	58	57	56	55	54	
SALEABLE	NOT APPLICABLE	34566-6193	9	B	ST GRAY	52	51	50	49	48		46	45	44		42	41	40		38	37	36			
						73				32	31	30	29	28	27	26	25	24		22	21	20		18	17
						72		70		68	67	66		63	62		59	57							
SALEABLE	NOT APPLICABLE	34566-6213	9	A	BLACK					48	47				41										
						73				32	31	30	29		27	26	25	24		22	21		19	18	17
						72		70		68	67	66		63	62		59	57							
SALEABLE	NOT APPLICABLE	34566-6223	9	C	BLUE	52	51			48	47	46		44			40	39				34	33		
						73				32		30		27	26	25		22	21	20					
						72		70		68	67	66		63	62		59	57							
SALEABLE	NOT APPLICABLE	34566-6233	9	B	ST GRAY	52		50		48		46		44		40	39				35	34	33		
						73				32	31	30	29	28	27	26	25	24		22	21		19	18	17
						72		70		68	67	66		63	62		59	57							
SALEABLE	NOT APPLICABLE	34566-6243	9	A	BLACK		71	70	69				45	44	43	42	41		39		37	36			
						52	51	50	49	48		46	45	44	43	42	41	40	39	38	37	36		34	
						73				32		30		28		26								19	18
SALEABLE	NOT APPLICABLE	34566-6253	9	C	BLUE	72		70		68	67	66			63	62		59		57				53	
						52	51		49	48	47	46		44			40	39		37	36		34	33	
						73				32		30		27	26	25	24		22	21	20				
SALEABLE	NOT APPLICABLE	34566-6263	9	B	ST GRAY	72	71	70		68	67	66			62	61	60	59	58	57	56	55	54	53	
						52	51	50		48	47	46			42	41	40	39	38	37	36	35	34	33	
						73				32	31	30	29	28	27	26	25	24							18

MX123 52/66/73/80-WAY RECEPTACLE ASSY SEALED PIN OUT SHEET

STATUS	GM PART #	HRNS CONN ASSY			TPA	GROMMET CAP																					
		MATERIAL/PART	WIRE DRESS OPTION	KEY OPTION Fp		COLOR OPTION Fp	NUMBERS INDICATE CAVITIES OPEN FOR CIRCUITS																				
		NUMBER					Fp																				
SALEABLE	NOT APPLICABLE	34566-6273	9	B	ST GRAY	71	70	69	65	64	63	62	61	60	58	57	56	55	54	53							
						52	51	50	49	48	47	45	44	43	42	41	40	39	37	36	19	18					
						73			32	30	29	28	27	26	24							3					
SALEABLE	NOT APPLICABLE	34566-6283	9	C	BLUE	72	71	70	68	67	66	63	62	59	57												
						52	51		48	47	46	44			40	39					34	33					
						73			32	30			27	26	25		22	21									
SALEABLE	NOT APPLICABLE	34566-6293	9	B	ST GRAY	72	71	70	68	67	66	62	61	60	59	58	57	56	55	54	53						
						52	51	50	48	47	46			42	41	40	39	38	37	36	35	34	33				
						73			32	31	30	29	28	27	26	25	24							17			
SALEABLE	NOT APPLICABLE	34566-6313	9	B	ST GRAY	71	70	69				63	62	61	60	58	57	56	55	54	53						
						52	51	50	49			44	43	42	41	39	37	36				19	18				
						73			32		29	28	27	26								3					
SALEABLE	NOT APPLICABLE	34566-6323	9	B	ST GRAY	71	70	69				64	63		60	59	58	57	56	55	54	53					
						52	51	50	49			45	44	43	42	41	39	37	36				34				
						73			32		30	28		26									19	18			
SALEABLE	NOT APPLICABLE	34566-6333	9	C	BLUE	72	71	70	68	67	66	63	62	59	57	56	55	54	53								
						52	51		48	47	46	44			40	39						34	33				
						73			32	30		27	26	25		22	21		19	18							
SALEABLE	NOT APPLICABLE	34566-6343	9	A	BLACK	71	70	69				63	62	61	60	58	57	56	55	54	53						
						52	51	50	49			44	43	42	41	40	39	37	36				34				
						73			32		29	28	27	26									19	18	17		
SALEABLE	NOT APPLICABLE	34566-6353	9	C	BLUE	72	71	70	68	67	66	63	62	59	58	57	56	55	54	53							
						52	51		48	47	46	44			40	39							34	33			
						73			32	30		27	26	25		23	22	21	20						17		
SALEABLE	NOT APPLICABLE	34566-6363	9	B	ST GRAY	72	71	70	68	67	66			60	59						55	54	53				
						52	51	50	48	47	46			40	39								35	34	33		
						73			32	31	30	29	28	27	26	25	24	23						19	18	17	
SALEABLE	NOT APPLICABLE	34566-6373	9	A	BLACK	71	70	69				64	63		60	59	58	57	56	55	54	53					
						52	51	50	49		47	45	44	43	42	41	40	39	37	36				34			
						73			32		30	28		26			23		21					19	18	17	
SALEABLE	NOT APPLICABLE	34566-6383	9	A	BLACK	72	71	70	68	67	66	65	64	63	61	60	57	56	55	54	53						
						52	51	50	49	48	46	45	44	43	42	41	40	39	38	37	36				34	33	
						73			32	31	30	29	28				23	22	21								2
SALEABLE	NOT APPLICABLE	34566-6393	9	C	BLUE	71	70	69		67	66	65	64		62	61	60	58	57		55	54					
						52	51	50	49	48	47	46	45	44		42	41		38	37			35	34	33		
						73			32		28	27	26	25											19	18	17
SALEABLE	NOT APPLICABLE	34566-6413	9	B	ST GRAY	72	71	70	68	67			63	62	61	60	59					55					
						52	51		48	47	46	44	43		41	40		38	37	36	35						
						73			32		30		27								20	19	18	17			1
SALEABLE	NOT APPLICABLE	34566-6423	9	C	BLUE	72	71	70	69	67	66	65	64										54				
						52	51	50	49	48	46	45	44				39	38									34
						73			32	31	30	29	28		26	25		23	22	21							
SALEABLE	NOT APPLICABLE	34566-6433	9	A	BLACK	72	71	70		67			63		60	59	58	57	56	55							
						52	51		48	47	46		43	42		40	39	38	37	36	35						
						73						28	27														18

MX123 52/66/73/80-WAY RECEPTACLE ASSY SEALED PIN OUT SHEET

STATUS	GM PART #	HRNS CONN ASSY			TPA	GROMMET CAP																						
		MATERIAL/PART	WIRE DRESS OPTION	KEY OPTION Fp	COLOR OPTION Fp	NUMBERS INDICATE CAVITIES OPEN FOR CIRCUITS																						
		NUMBER				Fp																						
SALEABLE	NOT APPLICABLE	34566-6443	9	B	ST GRAY	72	71	70	69	68	67	66	65	64	63		61	60			57	56	55					
						52	51	50	49	48	47	46	45	44	43		26	25	24	23	22	21	20	19	18	17		
						73				32	31	30	29	28		11		9	8	7	6	5	4	3	2	1		
SALEABLE	NOT APPLICABLE	34566-6453	0	C	BLUE		71	70	69		67		65	64		62	61	60			57			54				
						52	51	50	49	48	47	46	45	44		42	41				37				34	33		
						73				32				28	27	26	25										18	17
SALEABLE	NOT APPLICABLE	34566-6463	0	B	ST GRAY	72				68	67					62	61							55				
						52				48	47	46			43													
						73						30													20	19	18	
SALEABLE	NOT APPLICABLE	34566-6473	9	C	BLUE			70	69		67	66		64		62		60			57		55	54				
						52	51	50		48		46	45	44		42						37			35	34	33	
						73				32				28	27	26											19	18
SALEABLE	NOT APPLICABLE	34566-6483	9	A	BLACK	72	71	70	69	68		66	65	64	63		61	60			57	56		54	53			
						52	51	50	49	48		46	45	44	43			40	39	38	37	36			34	33		
						73				32	31	30	29	28			26	25		23	22	21	20					
SALEABLE	NOT APPLICABLE	34566-6493	9	B	ST GRAY	72			70							62	61							55				
						52				48	47	46			43			41	40									
						73						30													20	19	18	
SALEABLE	NOT APPLICABLE	34566-6513	0	B	ST GRAY	72				68	67					62	61						55	54				
						52						46			43			40										
						73				16	15	14								8						4	3	2
SALEABLE	NOT APPLICABLE	34566-6523	0	B	ST GRAY					68	67			64					59	58								
												46	45						39	38								
						73				32		30	29	28	27				23	22								
SALEABLE	NOT APPLICABLE	34566-6533	9	B	ST GRAY					68	67			64														
												46	45															
						73				32		30	29	28	27													
SALEABLE	NOT APPLICABLE	34566-6543	9	A	BLACK	72	71	70	69	68		66	65	64	63		61	60			57	56		54	53			
						52	51	50	49	48		46	45	44	43			40	39	38	37	36			34	33		
						73				32	31	30	29	28			26	25		23	22	21	20					
SALEABLE	NOT APPLICABLE	34566-6553	9	A	BLACK	72	71	70	69		67		64	63			60	59	58	57	56	55	54	53				
						52	51	50	49		47		45	44	43	42	41	40	39		37	36			34			
						73				32		30		28		26										19	18	17
SALEABLE	NOT APPLICABLE	34566-6563	9	C	BLUE	72			70		68		66		63	62			59	58	57					53		
						52	51			48	47	46		44				40	39									34
						73				32		30			27	26	25		23	22	21	20						
SALEABLE	NOT APPLICABLE	34566-6573	9	A	BLACK					68	67			64	63			60	59	58	57	56	55	54	53			
												47		45	44	43	42	41	40	39		37	36					
						73				32		30		28		26				23		21				19	18	
SALEABLE	NOT APPLICABLE	34566-6583	9	A	BLACK				70	69					63	62	61	60		58	57	56	55	54	53			
						52	51	50	49					44	43	42	41	40	39		37	36						
						73				32			29	28	27	26											19	18
SALEABLE	NOT APPLICABLE	34566-6593	0	C	BLUE				69		67			64		62		60			57		55	54				
						52	51	50		48		46	45	44		42						37			35	34	33	
						73				32				28	27	26										20	19	18

MX123 52/66/73/80-WAY RECEPTACLE ASSY SEALED PIN OUT SHEET

STATUS	GM PART #	HRNS CONN ASSY			TPA	GROMMET CAP																					
		MATERIAL/PART	WIRE DRESS OPTION	KEY OPTION		COLOR	NUMBERS INDICATE CAVITIES OPEN FOR CIRCUITS																				
		NUMBER		Fp	Fp	Fp																					
SALEABLE	NOT APPLICABLE	34566-6613	0	A	BLACK	72	71	70	69			66		64	63		61	60			57	56		54	53		
						52	51	50	49			46	45	44	43		26	25		23	22	21			34	33	
						73				32	31	30	29	28			9		7	6	5					2	1
SALEABLE	NOT APPLICABLE	34566-6623	9	B	ST GRAY					68	67		64					59	58			54					
											46	45					39	38									
						73				32		30	29	28	27				23	22							17
SALEABLE	NOT APPLICABLE	34566-6633	9	C	BLUE				69		67	66		64		62		60			57			54			
						52	51	50		48		46	45	44		42						37			34	33	
						73								28	27	26											
SALEABLE	NOT APPLICABLE	34566-6643	9	C	BLUE		71			68	67		65	64	63		61	60		58	57			54			
						52	51	50		48			45		43		41			38	37				34	33	
						73								28	27		25										18
SALEABLE	NOT APPLICABLE	34566-6653	9	B	ST GRAY	72				68						62	61	60	59					55			
						52				48	47	46		44	43		41	40		38	37	36	35				
						73						30										20	19	18			
SALEABLE	NOT APPLICABLE	34566-6663	9	A	BLACK					68		66	65	64	63		60			57	56			54			
						52	51	50	49	48		46	45	44	43	42		40	39	38	37	36			34		
						73				32	31	30	29	28		26	25		23	22	21	20					
SALEABLE	NOT APPLICABLE	34566-6673	9	B	ST GRAY	72	71	70	69	68	67	66	65	64	63		61	60	59		57	56	55				
						52	51	50	49	48	47	46	45	44	43		41	40	39	38	37	36	35	34	33		
						73				32	31	30	29	28		26		24	23	22	21	20	19	18	17		
SALEABLE	NOT APPLICABLE	34566-6683	9	A	BLACK			70			67				63		60	59	58	57							
						52				48	47	46			43	42		40	39	38	37						
						73				32	31	30	29	28	27					22	21						2
SALEABLE	NOT APPLICABLE	34566-6693	9	C	BLUE	72	71	70	69		67	66	65	64							56			54			
						52	51	50	49		47	46	45	44				39	38						34		
						73						31	30	29	28		26	25	24	23	22	21					17
SALEABLE	TBD	34822-0063	9	A	BLACK		63	62	61	60	59					54	53		51		49	66					
							47								38	37		35		33							
						65									28			25		22	21	20	19	18	17		
SALEABLE	NOT APPLICABLE	34566-6713	9	A	BLACK	72	71	70	69	68		66	65	64	63		61	60		57	56			54	53		
						52	51	50	49	48		46	45	44	43	42	41	40	39	38	37	36			34	33	
						73				32	31	30	29	28		26	25		23	22	21						2
SALEABLE	NOT APPLICABLE	34566-6723	0	H	ST GRAY		79						74	73				67		65	64	63	62	61			
							59							53	52						25		44	43	42	41	
								38						33						27							
SALEABLE	NOT APPLICABLE	34566-6733	0	G	BLUE			78	77		75	74		72		70				64	63						
						60		58	57		55	54		52	51	50	49		47		45						
						40	39	38	37				33	32	31				27	26							
SALEABLE	NOT APPLICABLE	34566-6743	9	C	BLUE		71		69	68	67		65	64	63		61	60		57				34	33		
						52	51	50		48		46	45		43		41			37							
						73								28	27		25										
SALEABLE	NOT APPLICABLE	34566-6753	9	A	BLACK	72	71	70	69	68		66	65	64		61	60		57	56			54	53			
						52	51	50	49	48		46	45	44	43	42		40	39	38	37	36			34	33	
						73						31	30	29	28					23	22	21	20				
						15	14	13	12					7	6	5	4				2						

MX123 52/66/73/80-WAY RECEPTACLE ASSY SEALED PIN OUT SHEET


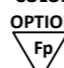

STATUS	GM PART #	HRNS CONN ASSY			TPA	GROMMET CAP																								
		MATERIAL/PART	WIRE DRESS OPTION	KEY OPTION Fp		COLOR OPTION Fp	NUMBERS INDICATE CAVITIES OPEN FOR CIRCUITS																							
		NUMBER					Fp																							
SALEABLE	NOT APPLICABLE	34566-6763	9	B	ST GRN	72				68						62	61					55								
						52		50	49				46	45		43								22	21	20	19	18		
						73							16		14					8			6	5	4					
SALEABLE	NOT APPLICABLE	34566-6773	0	C	BLUE	72			70	68					63	62				59	58	57			53					
						52	51		49	48	47	46		44		42			40	39							34	33		
						73						32	31	30				26	25			22	21			19	18	17		
SALEABLE	NOT APPLICABLE	34566-6783	0	B	ST GRN	72			70	68										60	59				55	54	53			
						52		50		48		46			43			40	39								35	34	33	
						73						32	31	30	29	28	27	26	25	24	23									17
SALEABLE	NOT APPLICABLE	34566-6793	0	B	ST GRN	72			70	68				64	63					60	59				55	54	53			
						52		50		48		46			43			40	39								35	34	33	
						73						32	31	30	29	28	27	26	25	24	23					20				17
SALEABLE	NOT APPLICABLE	34566-6813	9	A	BLACK		71	70	69	68	67			65	64	63	62	61	60		58	57	56	55	54	53				
						52	51	50	49	48	47			45	44	43	42	41	40	39			37	36			34			
						73						32		30	29	28	27	26	25	24					21				18	
SALEABLE	NOT APPLICABLE	34566-6823	9	C	BLUE	72			70	68	67					63	62				59		57			53				
						52	51		49	48	47	46		44				41	40	39					37	36	35	34	33	
						73						32		30			27	26	25	24			22	21	20					
SALEABLE	NOT APPLICABLE	34566-6833	0	A	BLACK			70	69							63			60	59	58	57	56	55	54	53				
						52	51		49	48	47			44	43	42	41	40						37	36			34	33	
						73						32				28		26									19	18		
SALEABLE	NOT APPLICABLE	34566-6843	0	A	BLACK	72	71	70	69	68				66	65	64	63							57	56		54	53		
						52	51	50	49	48				46	45	44	43			40	39	38	37	36			34	33		
						73						32	31	30	29	28		26	25			23	22	21	20				17	
SALEABLE	NOT APPLICABLE	34566-6853	0	C	BLUE				69		67	66					62	61	60					57	56		54	53		
						52	51	50	49	48			46	45	44			42	41						37			35	34	33
						73						32				28	27	26	25									19	18	17
SALEABLE	NOT APPLICABLE	34566-6863	0	A	BLACK	72	71	70	69	68				66	65	64	63								57	56		54	53	
						52	51	50	49	48				46	45	44	43	42		40	39	38	37	36			34	33		
						73						32	31	30	29	28		26	25			23	22	21	20				17	
SALEABLE	NOT APPLICABLE	34566-6873	9	B	ST GRN	72				68	67					63	62	61	60	59					55	54	53			
						52				48	47	46		44	43		41	40					38	37	36	35				
						73							30			27											20	19	18	17
SALEABLE	NOT APPLICABLE	34566-6883	9	A	BLACK	72			70		67						63			60	59	58	57	56	55					
						52	51			48	47	46			43	42		40	39			38	37	36	35					
						73										28	27								22	21			18	17
SALEABLE	NOT APPLICABLE	34566-6893	0	B	ST GRN	72	71	70	69	68	67	66	65	64	63	62	61	60	59											
						52	51	50	49	48	47	46	45	44	43			41	40	39	38	37	36	35	34	33				
						73						32	31	30	29	28		26		24	23	22	21	20	19	18	17			
SALEABLE	NOT APPLICABLE	34566-6913	9	A	BLACK				69	68	67	66	65	64	63															
						52	51	50	49	48	47	46	45	44	43	42		40	39	38	37	36	35	34						
						73						32	31	30	29	28	27	26	25			23	22	21	20			18	17	
SALEABLE	NOT APPLICABLE	34566-6923	9	C	BLUE	72	71	70	69		67	66	65	64				61	60											
						52	51	50	49	48	47	46	45	44				41		39	38	37					34	33		
						73						32	31	30	29	28	27	26	25	24	23	22	21					18	17	

MX123 52/66/73/80-WAY RECEPTACLE ASSY SEALED PIN OUT SHEET

STATUS	GM PART #	HRNS CONN ASSY			TPA	GROMMET CAP																							
		MATERIAL/PART	WIRE DRESS OPTION	KEY OPTION Fp	COLOR OPTION Fp	NUMBERS INDICATE CAVITIES OPEN FOR CIRCUITS																							
		NUMBER				Fp																							
SALEABLE	NOT APPLICABLE	34566-6933	9	B	ST GRAY	72				68	67				63	62	61	60	59				55		53				
						52				48	47	46		44	43		41	40				38	37	36	35				
						73						30			27							22	21	20	19	18	17		
SALEABLE	NOT APPLICABLE	34566-6943	9	A	BLACK	72	71	70	69	68		66	65	64	63		61	60				57	56		54	53			
						52	51	50	49	48		46	45	44	43	42	41	40	39	38	37	36				34	33		
						73				32	31	30	29	28							23	22	21						
SALEABLE	NOT APPLICABLE	34566-6953	0	A	BLACK	72	71	70	69			66	65	64	63		61	60				57	56		54	53			
						52	51	50	49			46	45	44	43			40	39	38	37	36				34	33		
						73				32	31	30	29	28			26	25		23	22	21	20					2	1
SALEABLE	NOT APPLICABLE	34566-6963	0	B	ST GRAY	72		70		68	67					62	61							55					
						52				48	47	46			43			40								20	19	18	
						73						30														8		4	2
SALEABLE	NOT APPLICABLE	34566-6973	0	C	BLUE		71	70	69			67		65	64		62	61	60				57		55	54			
						52	51	50	49	48	47	46	45	44		42	41								37		35	34	33
						73				32				28	27	26	25											19	18
SALEABLE	NOT APPLICABLE	34566-6983	0	C	BLUE		71		69			67		65	64		62	61	60				57		55	54			
						52	51	50		48	47	46	45	44		42									37		35	34	33
						73								28	27	26												18	
SALEABLE	NOT APPLICABLE	34566-6993	0	G	BLUE			78	77	76									67	66	65								
						40	39	38	37	36	35	34	33	32				29	28						25			21	
						20	19	18	17	16	15	14	13	12														3	1
SALEABLE	NOT APPLICABLE	34566-7013	9	A	BLACK		71	70	69					64	63	62	61	60	59	58	57	56	55	54	53				
						52	51	50	49				45	44	43	42	41		39		37	36				34			
						73				32			29	28	27	26											19	18	
SALEABLE	NOT APPLICABLE	34566-7023	0	A	BLACK	72	71	70	69	68		66	65	64		61	60					57	56		54	53			
						52	51	50	49	48		46	45	44	43			40	39	38	37	36				34	33		
						73						31	30	29	28			26	25		23	22	21	20					
SALEABLE	NOT APPLICABLE	34566-7033	0	A	BLACK			70	69					65		63	62	61	60			58	57	56	55	54	53		
						52	51		49					44	43	42	41								37	36		34	
						73				32			29	28	27	26									21		19	18	
SALEABLE	NOT APPLICABLE	34566-7043	0	B	ST GRAY	72				68	67				63	62	61	60	59					55					
						52						46			43		41	40											
						73									27												20	19	18
SALEABLE	NOT APPLICABLE	34566-7053	0	C	BLUE		71		69			67		65	64		62	61	60				57		54				
						52	51	50	49	48	47	46	45	44		42	41								37		34	33	
						73				16	15	14	13	12	11	10	9	8	7										
SALEABLE	NOT APPLICABLE	34566-7063	0	C	BLUE	72		70		68	67	66			63	62			59			57				53			
						52	51			48	47	46		44				40	39								34	33	
						73				32		30				26	25				22	21							
SALEABLE	NOT APPLICABLE	34566-7073	9	F	NATURAL				69	68											58	57				33			
						73						30															19	18	17
																											3	2	1
SALEABLE	NOT APPLICABLE	34566-7083	9	B	ST GRAY																								
						73				16	15	14	13	12	11	10		8	7							3	2	1	

MX123 52/66/73/80-WAY RECEPTACLE ASSY SEALED PIN OUT SHEET

STATUS	GM PART #	HRNS CONN ASSY			TPA	GROMMET CAP																													
		MATERIAL/PART	WIRE DRESS OPTION	KEY OPTION	COLOR	NUMBERS INDICATE CAVITIES OPEN FOR CIRCUITS																													
		NUMBER		△ Fp	△ Fp	△ Fp																													
SALEABLE	NOT APPLICABLE	34566-7093	9	B	ST GRAY	72	71	70	69	68	67	66	65	64	63				59										53						
						52	51	50	49	48	47	46	45	44	43					39											34	33			
						73				32	31	30	29	28	27	26	25	24	23														17		
SALEABLE	NOT APPLICABLE	34566-7113	9	G	BLUE	80	79	78		76					71			67																	
						60	59	58	57			54			51	50	49	48	47												44		41		
						40	39		37					33	32		30	29	28	27			25	24											
SALEABLE	NOT APPLICABLE	34566-7123	9	G	BLUE	20	19	18							12	11		9	8			5							3	2					
						80	79	78							71					67															
						60	59	58	57			54			51	50	49	48	47														44		41
SALEABLE	NOT APPLICABLE	34566-7123	9	G	BLUE	40	39							33	32		30	29	28	27			25	24											
						20	19	18						12	11		9	8																	
SALEABLE	NOT APPLICABLE	34566-7133	9	B	ST GRAY																														
						73																													
SALEABLE	NOT APPLICABLE	34566-7143	0	A	BLACK			70	69						63			60	59	58	57	56	55	54	53										
						52	51		49	48	47			44	43	42	41																		
						73				32																									
SALEABLE	NOT APPLICABLE	34566-7153	0	C	BLUE			70							63	62			59	58	57														
						52	51		49	48	47	46		44					42			40	39												
						73				32		30																							
SALEABLE	NOT APPLICABLE	34566-7163	0	A	BLACK			70	69	68	67																								
						52		50	49	48	47			45	44	43																			
						73				16	15																								
SALEABLE	NOT APPLICABLE	34566-7173	0	B	ST GRAY					68	67	66	65	64	63																				
						73				32		30	29	28	27																				
SALEABLE	NOT APPLICABLE	34566-7183	0	B	ST GRAY	72	71	70	69	68	67	66	65	64	63	62	61	60	59	58	57	56	55	54	53										
						52	51	50	49	48	47	46		44	43	42	41	40	39	38	37	36	35	34	33										
						73				32	31	30	29	28	27	26	25	24	23	22	21	20	19	18	17										
SALEABLE	NOT APPLICABLE	34566-7193	0	A	BLACK			70	69						63	62	61	60																	
						52	51		49					44	43	42	41																		
						73				32																									
SALEABLE	NOT APPLICABLE	34566-7213	0	A	BLACK			70	69						63																				
						52	51		49					44	43	42	41																		
						73				32																									
SALEABLE	NOT APPLICABLE	34566-7223	0	C	BLUE	72		70		68		66			63	62			59		57														
						52	51			48	47	46		44					42			40	39												
						73				32		30																							
SALEABLE	NOT APPLICABLE	34566-7233	9	A	BLACK																														
						52	51							46	45			43																	
						73				32		30	29																						
SALEABLE	NOT APPLICABLE	34566-7243	9	A	BLACK																														
						52	51			48		46	45					43																	
						73				32		30	29																						
SALEABLE	TBD	34822-0073	0	A	BLACK		63	62	61	60	59																								
							47																												
						65																													

STATUS	GM PART #	HRNS CONN ASSY			TPA	GROMMET CAP																									
		MATERIAL/PART	WIRE DRESS OPTION	KEY OPTION 		COLOR OPTION 	NUMBERS INDICATE CAVITIES OPEN FOR CIRCUITS																								
		NUMBER																													
SALEABLE	TBD	34822-0083	9	A	BLACK		63	62	61	60	59					54	53		51		49	66									
							47										39	38	37		35		33			20	19	18	17		
						65											28				25			22	21			3	2	1	
SALEABLE	NOT APPLICABLE	34566-7253	0	B	ST GRY	72										62	61														
						52						48	47	46		44	43		41	40											
						73																				20	19	18			
SALEABLE	NOT APPLICABLE	34566-7263	0	C	BLUE					69		67	66		64		62		60				57			54					
						52	51	50			48		46	45	44		42							37			34	33			
						73											28	27	26									18			
SALEABLE	NOT APPLICABLE	34566-7273	0	C	BLUE					69		67	66		64		62		60				57			54					
						52	51	50			48		46	45	44		42							37			34	33			
						73																						19	18	17	
SALEABLE	NOT APPLICABLE	34566-7283	0	C	BLUE					69		67	66		64		62		60				57			54					
						52	51	50			48		46	45	44		42							37			34	33			
						73																						19	18	17	
SALEABLE	NOT APPLICABLE	34566-7293	9	A	BLACK					69		67	66		64		62		60				57			54					
						52	51	50			48		46	45	44		42							37			34	33			
						73																						17			
SALEABLE	NOT APPLICABLE	34566-7313	0	B	ST GRY	72										62	61								55						
						52						48	47	46			43														
						73																				22	21	20	19	18	
SALEABLE	NOT APPLICABLE	34566-7333	9	B	ST GRY	72	71	70	69	68	67	66	65	64	63	62	61	60	59					57	56	55		53			
						52	51	50	49	48	47	46	45	44	43										39	38	37	36	35	34	33
						73																				22	21	20	19	18	17
SALEABLE	NOT APPLICABLE	34566-7343	9	B	ST GRY					68	67				64	63							59	58		55	54				
												46	45	44	43										39	38		35			
						73																				23	22		19	17	
SALEABLE	NOT APPLICABLE	34566-7353	9	C	BLUE					69		67	66		64		62		60				57			54					
						52	51	50			48	47	46	45	44		42							37			35	34	33		
						73																						19	18	17	
SALEABLE	NOT APPLICABLE	34566-7363	0	B	ST GRY	72			70																	55					
						52						46		44	43																
						73																						20	19	18	17
SALEABLE	NOT APPLICABLE	34566-7373	0	A	BLACK	72	71	70	69	68		66	65	64												54	53				
						52	51	50	49	48		46	45	44	43	42		40	39	38	37	36					34	33			
						73																						2			
SALEABLE	NOT APPLICABLE	34566-7383	0	C	BLUE		71	70				67	66	65	64											54					
						52	51	50	49	48	47		45	44										37			34	33			
						73																						17			
SALEABLE	NOT APPLICABLE	34566-7393	0	B	ST GRY	72																			55						
						52						48	47	46		44	43														
						73																						20	19	18	
SALEABLE	NOT APPLICABLE	34566-7413	0	A	BLACK	72	71	70	69	68		66	65	64	63											54	53				
							51	50	49	48		46	45	44	43	42		40	39	38	37	36					34	33			
						73																						2			

MX123 52/66/73/80-WAY RECEPTACLE ASSY SEALED PIN OUT SHEET

STATUS	GM PART #	HRNS CONN ASSY			TPA	GROMMET CAP																				
		MATERIAL/PART	WIRE DRESS OPTION	KEY OPTION Fp	COLOR OPTION Fp	NUMBERS INDICATE CAVITIES OPEN FOR CIRCUITS																				
		NUMBER				Fp																				
SALEABLE	NOT APPLICABLE	34566-7423	0	C	BLUE	52	51	70	69	48	67	46	45	64	61	60	57	54	34	33						
						73				32			28	27	25			37			18	17				
										16	15	14	13	12	11	10	9	8	7							
SALEABLE	NOT APPLICABLE	34566-7433	0	B	ST GRAY	72				68					62	61	60	59			55					
						52				48	47	46		44	43		41	40		38	37	36	35			
						73							30							20	19	18	17			1
SALEABLE	NOT APPLICABLE	34566-7443	0	A	BLACK	72	71	70	69	68		66	65	64	63		60			57	56		54			
						52	51	50	49	48		46	45	44	43	42		40	39	38	37	36		34		
						73						31	30	29	28		26	25		23	22	21	20			
SALEABLE	NOT APPLICABLE	34566-7453	0	C	BLUE		71	70			67	66	65	64		61	60		58	57		54				
						52	51	50	49	48	47		45	44		41			38	37				34	33	
						73							28	27		25										18
SALEABLE	NOT APPLICABLE	34566-7463	0	B	ST GRAY					68					62	61					55					
						52				48	47	46		43			40									
						73							30						22	21	20	19	18			
SALEABLE	NOT APPLICABLE	34566-7473	0	B	ST GRAY					68	67				63	62	61				55					
						52				48	47	46		43			40									
						73							30		27				22	21	20	19	18			
SALEABLE	NOT APPLICABLE	34566-7483	0	B	ST GRAY					68					62	61					55					
						52				48	47	46		43			40									
						73							30						22	21	20	19	18	17		
SALEABLE	NOT APPLICABLE	34566-7493	0	C	BLUE				69		67			64		62		60		57		55	54			
						52	51	50		48	47	46	45	44		42					37		35	34	33	
						73							28	27	26								19	18	17	
SALEABLE	NOT APPLICABLE	34566-7513	9	A	BLACK	72	71	70	69	68		66	65	64	63		61	60		57	56		54	53		
						52	51	50	49	48		46	45	44	43		40	39	38	37	36		34	33		
						73						32	31	30	29	28				23	22	21	20			
SALEABLE	NOT APPLICABLE	34566-7523	0	A	BLACK									64		62	61		59	58	57	56	55	54		
						52	51			48	47	46	45		43		41	40			37					33
						73							32		30	29		27	26	25	24			20		
SALEABLE	NOT APPLICABLE	34566-7533	0	G	BLUE	80	79	78							71	70			67							
						60	59	58	57			54			51	50	49	48	47		45	44		42	41	
						40	39		37	36		34	33	32		30	29	28	27		25	24	23	22	21	
SALEABLE	NOT APPLICABLE	34566-7563 SAME AS P/N 34566-1993	0	C	BLUE	20	19	18					13	12	11		9	8		5		3	2	1		
						73																				
SALEABLE	NOT APPLICABLE	34566-7543 SAME AS P/N 34566-1553	0	A	BLACK																					
SALEABLE	NOT APPLICABLE	34566-7553 SAME AS P/N 34566-1983	0	B	ST GRAY																					
SALEABLE	NOT APPLICABLE	34566-7563 SAME AS P/N 34566-1993	0	C	BLUE																					
SALEABLE	NOT APPLICABLE	34566-7573	0	B	ST GRAY	72		70		68					62	61					55					
						52				48	47	46		43			40									
						73							30						22	21	20	19	18	17		

MX123 52/66/73/80-WAY RECEPTACLE ASSY SEALED PIN OUT SHEET

STATUS	GM PART #	HRNS CONN ASSY			TPA	GROMMET CAP																				
		MATERIAL/PART	WIRE DRESS OPTION	KEY OPTION Fp		COLOR OPTION Fp	NUMBERS INDICATE CAVITIES OPEN FOR CIRCUITS																			
		NUMBER					Fp																			
SALEABLE	NOT APPLICABLE	34566-7683	9	B	ST GRY	72	71	70	69	68	67	66	65	64	63	62	61	60	59		57	56	55			
						52	51	50	49	48	47	46	45	44	43		26	25	24	23	22	21	20	19	18	17
						73				32	31	30	29	28		11		9	8	7	6	5	4	3	2	1
SALEABLE	NOT APPLICABLE	34566-7693	9	A	BLACK	72							64		62	61				57	56	55	54			
						52	51					46	45		43			40			37		35	34		
						73				32	31	30	29		27		25					20				
SALEABLE	NOT APPLICABLE	34566-7713	9	A	BLACK	72							64		62	61				58	57	56	55	54		
						52	51			48		46	45		43		41	40			37		35	34		
						73				32		30	29		27		25				20					
SALEABLE	NOT APPLICABLE	34566-7723	9	A	BLACK	72							64		62	61				57	56	55	54	53		
						52	51			48		46	45		43		41	40			37		35	34		
						73				32		30	29		27		25				20					
SALEABLE	NOT APPLICABLE	34566-7733	9	A	BLACK	72							64		62	61				57	56	55	54	53		
						52	51			48		46	45		43		41	40			37		35	34		
						73				32		30	29		27		25				20					
SALEABLE	NOT APPLICABLE	34566-7743	0	C	BLUE	72		70		68	67	66		64	63	62	61	60	59		57				53	
						52	51		49	48	47	46		44		41	40	39		37	36	35	34	33		
						73				32		30			27	26	25	24		22	21	20				
SALEABLE	NOT APPLICABLE	34566-7753	0	A	BLACK		71	70	69	68	67		64	63	62	61	60	59	58	57	56	55	54	53		
						52	51	50	49			45	44	43	42	41		39	38	37	36		34			
						73				32	31		29	28	27	26	25					19	18			
SALEABLE	NOT APPLICABLE	34566-7763	0	F	NATURAL																					
						73																				
SALEABLE	NOT APPLICABLE	34566-7773	0	B	ST GRY	72		70			67			63	62	61	60	59								
						52					46			43		41	40									
						73				16		14			11					6		4				
SALEABLE	TBD	34822-0153	9	A	BLACK		63	62	61	60	59					54	53		51		49	66				
							47								38	37		35		33						
						65								28			25			22	21	20	19	18	17	
SALEABLE	NOT APPLICABLE	34566-7783	0	A	BLACK	72	71	70	69	68		66	65	64	63			60	59		57	56		54		
						52	51	50	49	48		46	45	44	43	42	41	40	39	38	37	36		34		
						73				32	31	30	29	28		26	25		23	22	21					2
SALEABLE	NOT APPLICABLE	34566-7793	0	A	BLACK	72		70			67	66	65		63			60	59	58	57	56	55			
						52	51		49	48	47	46	45		43	42		40	39	38	37	36	35			
						73								28	27			23	22	21					18	17
SALEABLE	NOT APPLICABLE	34566-7813	0	A	BLACK			70	69	68	67				63	62	61	60	59	58	57	56	55	54	53	
						52	51	50	49					44	43	42	41	40	39	38	37	36		34		
						73				32			29	28	27	26	25				21		19	18		
SALEABLE	NOT APPLICABLE	34566-7823	0	B	ST GRY					68	67				63	62	61	60	59							
						52				48	47	46		44	43		41	40		38	37	36	35			
						73				16		14			11			8				4				
SALEABLE	NOT APPLICABLE	34566-7833	0	B	ST GRY	72	71	70	69	68	67	66	65	64	63		61	60	59		57	56	55			
						52	51	50	49	48	47	46	45	44	43		41	40	39	38	37	36	35	34	33	
						73				32	31	30	29	28		26	25	24	23	22	21	20	19	18	17	

MX123 52/66/73/80-WAY RECEPTACLE ASSY SEALED PIN OUT SHEET

STATUS	GM PART #	HRNS CONN ASSY			TPA	GROMMET CAP																
		MATERIAL/PART	WIRE DRESS OPTION	KEY OPTION Fp	COLOR OPTION Fp	NUMBERS INDICATE CAVITIES OPEN FOR CIRCUITS																
		NUMBER				Fp																
SALEABLE	NOT APPLICABLE	34566-7843	9	C	BLUE	52	71	50	49	48	67	65	64	62	61	60	58	57	54	33		
						73	16	15	14	13	12	11	10	9	38	37	34	33				
						72	71	70	69	68	67	66	64	39	38	37	36	35	34	33		
SALEABLE	NOT APPLICABLE	34566-7853	9	C	BLUE	52	51	50	49	47	46	44	39	38	37	36	35	34	33			
						73	16	15	14	13	12	11	10	9	8	7	6	5	17			
						72	71	70	69	68	67	66	64	63	62	59	57	55	54	53		
SALEABLE	NOT APPLICABLE	34566-7863	9	C	BLUE	52	51	70	69	68	67	66	44	40	39	37	36	35	34	33		
						73	32	30	27	26	25	24	22	21	20	19	18	17				
						72	71	70	69	68	67	66	65	64	63	62	59	57	55	54	53	
SALEABLE	NOT APPLICABLE	34566-7873	9	A	BLACK	52	71	50	69	31	29	28	23	19	18	17	1					
						73	16	15	14	13	12	11	3	1								
						72	71	70	69	68	67	66	65	64	63	62	59	57	55	54	53	
SALEABLE	NOT APPLICABLE	34566-7883	9	A	BLACK	52	51	50	49	48	47	46	45	44	43	42	40	38	35	33		
						73	32	31	30	29	28	25	24	23	22	21	20	19	17			
						72	71	70	69	68	67	66	65	64	63	62	59	57	55	54	53	
SALEABLE	NOT APPLICABLE	34566-7893	9	A	BLACK	52	51	50	49	48	46	45	44	43	42	40	39	38	37	36	34	33
						73	32	31	30	29	28	23	22	21	20	19	18	17				
						72	71	70	69	68	67	66	65	64	63	62	59	57	55	54	53	
SALEABLE	TBD	34822-0163	0	A	BLACK	64	63	51	49	38	37	35	33	20	19	18	17					
						65	15	14	13	8	7	4	3	2	1							
						80	79	78	75	71	70	67	61	60	59	57	56	54	53			
SALEABLE	NOT APPLICABLE	34566-7913	9	G	BLUE	60	59	58	57	54	51	50	49	48	47	45	44	42	41			
						40	39	37	36	34	33	32	30	29	28	27	25	24	23	22	21	
						20	19	18	13	12	11	9	8	5	3	2	1					
SALEABLE	NOT APPLICABLE	34566-7923	0	C	BLUE	52	71	70	67	66	64	61	60	57	54	53						
						73	32	28	27	25	37	34	33									
						72	71	70	69	68	67	66	64	63	61	60	57	56	54	53		
SALEABLE	NOT APPLICABLE	34566-7933	0	A	BLACK	52	51	50	49	48	46	45	44	43	40	39	38	37	36	34	33	
						73	32	31	30	29	28	23	22	21	20	19	18	17				
						72	71	70	69	68	67	66	65	64	63	61	60	57	56	54	53	
SALEABLE	NOT APPLICABLE	34566-7943	0	B	ST GRY	52	71	70	67	66	64	61	60	59	55							
						73	31	30	22	21	20	19	18	17								
						72	71	70	69	68	67	66	64	63	61	60	59	57	56	54	53	
SALEABLE	NOT APPLICABLE	34566-7953	0	B	ST GRY	52	51	50	49	48	47	46	43	41	40	38	37	36	35			
						73	16	15	14	6	4	2										
						72	71	70	69	68	67	66	64	63	61	60	59	57	56	54	53	
SALEABLE	NOT APPLICABLE	34566-7963	9	A	BLACK	52	51	50	49	48	46	45	44	43	42	40	39	38	37	36	34	33
						73	32	31	30	29	28	26	25	23	22	21	20	19	18	17		
						72	71	70	69	68	67	66	64	63	61	60	59	57	56	54	53	
SALEABLE	NOT APPLICABLE	34566-7973	9	B	ST GRY	52	71	50	49	48	47	46	45	43	41	40	38	37	36	35	34	
						73	16	15	14	6	4	1										
						72	71	70	69	68	67	66	64	63	61	60	59	57	56	54	53	
SALEABLE	NOT APPLICABLE	34566-7983	9	B	ST GRY	52	71	50	49	48	47	46	45	43	41	40	38	37	36	35	34	33
						73	16	15	14	6	4	1										
						72	71	70	69	68	67	66	64	63	61	60	59	57	56	54	53	

MX123 52/66/73/80-WAY RECEPTACLE ASSY SEALED PIN OUT SHEET

STATUS	GM PART #	HRNS CONN ASSY			TPA	GROMMET CAP																				
		MATERIAL/PART	WIRE DRESS OPTION	KEY OPTION Fp	COLOR OPTION Fp	NUMBERS INDICATE CAVITIES OPEN FOR CIRCUITS Fp																				
		NUMBER																								
SALEABLE	NOT APPLICABLE	34566-7993	9	C	BLUE	70	69	67	66	64		61	60		57				54							
						52	51	48	47	46	45	44		41		37				34	33					
						73		32			28	27		25							18	17				
SALEABLE	NOT APPLICABLE	34566-8013	9	C	BLUE	71		67		65	64		61	60	59		57			54						
						52	51	50		48	47	45	44		41		39		37			34	33			
						73		32			28	27		25		23					18					
SALEABLE	TBD	34822-0173	9	A	BLACK	64				58	57	56	55	54		52		50								
						48		46	45	44	43	42	41	40			36		34					66		
						65		32	31	30	29		27	26		24	23									
SALEABLE	NOT APPLICABLE	34566-8023	9	C	BLUE	72			69	68			63	62		59		56	55		53					
											46			43	42		40	39		36	35					
						73			31	30	29			26		24	23	22	21	20	19					
SALEABLE	NOT APPLICABLE	34566-8033	9	B	ST GRAY	71	70	69		67	66	65	64	63				58	57	56		54				
						51	50	49				45			42			39					34	33		
						73		32	31		29	28	27	26	25	24	23						3	2		
SALEABLE	NOT APPLICABLE	34566-8043	9	A	BLACK					67					62	61		59	58		55	53				
											47				42						35	33				
						73							27	26	25	24				20	19	18	17			
SALEABLE	NOT APPLICABLE	34566-8053	9	A	BLACK	72				68	67	66					59									
											46					40		38		35	33					
						73			31					25	23	22	21	20	19	17						
SALEABLE	NOT APPLICABLE	34566-8063	9	C	BLUE	71		69				65	64		61	60		58		56	55	54				
							50					45		43	42			38		35						
						73			31		29	28				23			19	18	17					
SALEABLE	NOT APPLICABLE	34566-8073	9	B	ST GRAY			69				65	64	63												
								49				45	44	43												
						73						12	11		9		7	6	5	4						
SALEABLE	NOT APPLICABLE	34566-8083	9	B	ST GRAY									62		59	58					54	53			
														42		39										
						73								27												
SALEABLE	NOT APPLICABLE	34566-8093	9	A	BLACK	71		69	68		66	65	64		62	61					54	53				
							50	49				45	44			41							34	33		
						73		32	31	30	29			26	25	24	23			20	19					
SALEABLE	NOT APPLICABLE	34566-8113	9	C	BLUE				68					63	62	61	60	59	58	57		55	53			
														43	42	41	40		37	36	35		33			
						73		32						27		24				20	19	18				
SALEABLE	NOT APPLICABLE	34566-8123	0	G	BLUE	80	79					73	72		70	69	68	67	66	65	64		62	61		
							59					53	52						46		44		42	41		
									36	35	34									25	24	23	22	21		
SALEABLE	NOT APPLICABLE	34566-8133	0	G	BLUE	80	79	78	77		75		72	71	70	69	68		66							
						60	59	58	57	56	55		53		51	50	49	48	47	46	45	44				
						40	39		37	36	35	34		32	31	30	29	28		26		24	23	22	21	
SALEABLE	NOT APPLICABLE	34566-8143	0	G	BLUE		19	18	17					11							4	3		1		
						80	79	78	77	76	75	74	73	72		70	69	68	67	66	65	64	63	62	61	
						60	59	58	57	56	55	54	53	52	51	50		48	47	46	45	44	43	42	41	
SALEABLE	NOT APPLICABLE	34566-8143	0	G	BLUE	40	39	38	37	36	35	34	33	32	31	30	29	28	27	26	25	24	23	22	21	

MX123 52/66/73/80-WAY RECEPTACLE ASSY SEALED PIN OUT SHEET

STATUS	GM PART #	HRNS CONN ASSY			TPA	GROMMET CAP																					
		MATERIAL/PART	WIRE DRESS OPTION	KEY OPTION Fp	COLOR OPTION Fp	NUMBERS INDICATE CAVITIES OPEN FOR CIRCUITS																					
		NUMBER				Fp																					
SALEABLE	NOT APPLICABLE	34566-8153	0	C	BLUE	72	71	70	69	68	67	66	65	64	63	62	61	60	59	58	57	56	55	34	33		
						52	51	50																			
						73								28	27												18
SALEABLE	NOT APPLICABLE	34566-8163	9	B	ST GRY					68	67			64	63			59	58			55	54				
						73																					
SALEABLE	NOT APPLICABLE	34566-8173	0	B	ST GRY	72		70		68	67				63	62	61	60	59								
						52																					
						73																					
SALEABLE	NOT APPLICABLE	34566-8183	9	H	ST GRY																						
						73																					
SALEABLE	NOT APPLICABLE	34566-8193	0	G	BLUE		79	78	77	76	75	74			71				67		65		63				
						60	59	58	57	56	55	54		52													
						73																					
SALEABLE	NOT APPLICABLE	34566-8213	0	H	ST GRY																						
						73																					
SALEABLE	NOT APPLICABLE	34566-8223	9	A	BLACK	72									62	61		59		57		55					
						52	51																				
						73																					
SALEABLE	NOT APPLICABLE	34566-8233	9	G	BLUE				77	76	75	74	73	72		70	69	68		66	65	64	63	62	61		
						73																					
SALEABLE	NOT APPLICABLE	34566-8243	9	G	BLUE				77	76	75	74	73	72		70	69	68		66	65	64	63	62	61		
						73																					
SALEABLE	NOT APPLICABLE	34566-8253	9	G	BLUE				77	76	75	74	73	72		70	69	68		66	65	64	63	62	61		
						73																					
SALEABLE	NOT APPLICABLE	34566-8263	9	G	BLUE				77	76	75	74	73	72		70	69	68		66	65	64	63	62	61		
						73																					
SALEABLE	NOT APPLICABLE	34566-8273	9	G	BLUE	80	79	78							71				67								
						60	59	58	57				54														
						73																					
SALEABLE	NOT APPLICABLE	34566-8283	9	G	BLUE				77	76	75	74	73	72		70	69	68		66	65	64	63	62	61		
						73																					
SALEABLE	NOT APPLICABLE	34566-8293	9	A	BLACK	71	70	69	68	67	66	65			63			60	59	58							
						73																					
SALEABLE	NOT APPLICABLE	34566-8313	9	A	BLACK		71	70	69		67	66	65		63			60	59	58							
						73																					

MX123 52/66/73/80-WAY RECEPTACLE ASSY SEALED PIN OUT SHEET

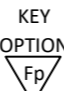

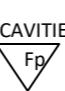
STATUS	GM PART #	HRNS CONN ASSY			TPA	GROMMET CAP																								
		MATERIAL/PART	WIRE DRESS OPTION	KEY OPTION Fp	COLOR OPTION Fp	NUMBERS INDICATE CAVITIES OPEN FOR CIRCUITS Fp																								
		NUMBER																												
SALEABLE	NOT APPLICABLE	34566-8323	9	A	BLACK	71	70	69	68	67	66	65		63		60								53						
						50	49		47			44		42		39	38		36							33				
						73				31		14		12		8	7	6	5				19	18	17					
SALEABLE	NOT APPLICABLE	34566-8333	9	A	BLACK	71	70	69	68	67	66	65		63		60								53						
						50	49	48	47			44		42	41		39	38		36						33				
						73				31		14		12		8	7	6	5				19	18	17					
SALEABLE	NOT APPLICABLE	34566-8343	9	A	BLACK	71	70	69	68	67	66	65		63		60								53						
						50	49		47			44		42		39	38		36	35	34	33								
						73				31		14		12		8	7	6	5				19	18	17					
SALEABLE	NOT APPLICABLE	34566-8353	9	A	BLACK	72							64		62	61							57	56	55	54	53			
						52	51					46	45		43		41	40							37					
						73				32		30	29		27		25									20				
SALEABLE	NOT APPLICABLE	34566-8363	9	A	BLACK	72							64		62	61							57	56	55	54	53			
						52	51					46	45		43		41	40							37					
						73				32		30	29		27		25									20				
SALEABLE	NOT APPLICABLE	34566-8373	9	A	BLACK	72							64		62	61							57	56	55	54	53			
						52	51					46	45		43		41	40							37					
						73				32		30	29		27		25									20				
SALEABLE	NOT APPLICABLE	34566-8383	9	A	BLACK	72							64		62	61							57	56	55	54	53			
						52	51					46	45		43		41	40							37					
						73				32		30	29		27		25									20				
SALEABLE	NOT APPLICABLE	34566-8393	0	A	BLACK	72		70						63	62									56	55	54	53			
						52	51		49	48					43											36	35	34	33	
						73				31	30	29	28	27			24	23	22	21	20	19	18	17						
SALEABLE	NOT APPLICABLE	34566-8413	0	A	BLACK	72		70						63	62									56	55	54	53			
						52	51		49	48					43											36	35	34	33	
						73				31	30	29	28	27			24	23	22	21	20	19	18	17						
SALEABLE	NOT APPLICABLE	34566-8423	0	C	BLUE				69					64		62	61	60						54						
						52	51	50	49	48		46	45	44		42	41								37			34	33	
						73								28	27	26	25													
SALEABLE	NOT APPLICABLE	34566-8433	0	H	ST GRAY		79	78	77																	61				
						20												9								5			1	
SALEABLE	NOT APPLICABLE	34566-8443	0	C	BLUE		71	70								61	60	59	58	57						54				
						52	51	50		48	47		45	44		41		39	38	37							34	33		
						73				32				28	27		25		23									18	17	
SALEABLE	NOT APPLICABLE	34566-8453	0	A	BLACK	72	71	70	69	68		66	65	64	63		60							57	56		54			
						52	51	50	49	48		46	45	44	43	42		40	39	38	37	36					34			
						73				32	31	30	29	28						23	22	21	20							
SALEABLE	NOT APPLICABLE	34566-8463	0	B	ST GRAY			70		68						62	61	60	59					55						
						52				48	47	46		44	43		41	40							38	37	36	35		
						73						30														22	21	20	19	18
SALEABLE	NOT APPLICABLE	34566-8473	0	C	BLUE		71	70								62	61	60						58	57		54			
						52	51	50	49	48	47		45	44		42	41								38	37		35	34	33
						73				32				28	27	26	25										19	18	17	

MX123 52/66/73/80-WAY RECEPTACLE ASSY SEALED PIN OUT SHEET

STATUS	GM PART #	HRNS CONN ASSY			TPA	GROMMET CAP																					
		MATERIAL/PART	WIRE DRESS OPTION	KEY OPTION Fp	COLOR OPTION Fp	NUMBERS INDICATE CAVITIES OPEN FOR CIRCUITS																					
		NUMBER				Fp																					
SALEABLE	NOT APPLICABLE	34566-8483	0	A	BLACK	72	71	70	69	68		66	65	64	63		61	60			57	56		54	53		
						52	51	50	49	48		46	45	44	43	42			40	39	38	37	36		34	33	
						73				32	31	30	29	28						23	22	21	20				2
SALEABLE	NOT APPLICABLE	34566-8493	0	B	ST GRAY	72		70		68	67					62	61	60	59				55				
						52				48	47	46		44	43			40									33
						73						30								22	21	20	19	18	17		
SALEABLE	NOT APPLICABLE	34566-8513	9	A	BLACK	72	71	70	69	68		66	65	64	63		61	60			57	56		54	53		
						52	51	50	49	48		46	45	44	43			40	39	38	37	36		34	33		
						73				32	31	30	29	28					24	23	22						
SALEABLE	NOT APPLICABLE	34566-8523	9	B	ST GRAY	72		70		68						62	61						55				
						52				48	47	46			43			40									
						73						30								22	21	20	19	18	17		
SALEABLE	NOT APPLICABLE	34566-8533	9	C	BLUE			70		67	66	65	64			61	60			57			54				
						52	51	50	49	48	47		45	44			41				37			34	33		
						73				32				28	27		25									18	17
SALEABLE	NOT APPLICABLE	34566-8543	9	C	BLUE		71		69		67	66	65	64			61	60			57		54				
						52	51	50	49	48	47	46	45	44							37			34	33		
						73				32				28	27												
SALEABLE	NOT APPLICABLE	34566-8553	0	B	ST GRAY					67	66	65	64			61	60			57			54				
						52	51	50	49	48	47		45	44			41							34	33		
						73				32				28	27												
SALEABLE	NOT APPLICABLE	34566-8563	0	A	BLACK					67						61	60			57			54				
						52	51			48	47	46			43	42		40	39	38	37	36	35				
						73								28						22	21				18	17	
SALEABLE	NOT APPLICABLE	34566-8573	0	B	ST GRAY	72	71	70	69	68	67	66	65	64	63		61	60	59		57	56	55				
						52	51	50	49	48	47	46	45	44	43		41	40	39	38	37	36	35			33	
						73				32	31	30	29	28				26		24	23	22	21	20	19		
SALEABLE	NOT APPLICABLE	34566-8583	0	C	BLUE	72	71	70	69		67	66	65	64			60				56			54			
						52	51	50	49		47	46	45	44			40	39	38					34			
						73					31	30		28		26	25	24	23	22	21					17	
SALEABLE	NOT APPLICABLE	34566-8593	0	B	ST GRAY					68						62	61	60	59			55					
						52				48	47	46			43		41	40		38	37	36	35				
						73						30								22	21	20	19	18			
SALEABLE	TBD	34822-0183	0	A	BLACK	64	63	62	61	60	59					54	53		51		49	66					
																38	37		35		33	66					
						65					15	14	13						8	7			4	3	2	1	
SALEABLE	TBD	34822-0193	0	A	BLACK	64	63								54	53		51		49	66						
															38	37		35		33	66						
						65								28				24	23		21	20	19	18	17		
SALEABLE	TBD	34822-0203	0	A	BLACK					60	59					54	53		51		49	66					
															38	37		35		33	66						
						65					31			28				24	23	22	21	20	19	18	17		
SALEABLE	TBD	34822-0213	0	A	BLACK	64	63	62	61	60	59					54	53		51		49	66					
															38	37		35		33	66						
						65					31							24	23	22	21	20	19	18	17		



MX123 52/66/73/80-WAY RECEPTACLE ASSY SEALED PIN OUT SHEET

STATUS	GM PART #	HRNS CONN ASSY			TPA	GROMMET CAP																							
		MATERIAL/PART	WIRE DRESS OPTION	KEY OPTION 	COLOR OPTION 	NUMBERS INDICATE CAVITIES OPEN FOR CIRCUITS 																							
		NUMBER																											
SALEABLE	NOT APPLICABLE	34566-8613	0	C	BLUE	52	71	70			67	66	65	64			61	60	59	58	57			54					
										48	47			45	44			41	40	39	38	37				34	33		
						73								32				28	27			25		23				18	17
SALEABLE	NOT APPLICABLE	34566-8623	9	C	BLUE					68			65		63	62	61		59	58	57	56	55		53				
										48			45		43	42	41						37	36	35	34	33		
						73						32	31													20	19	18	
SALEABLE	NOT APPLICABLE	34566-8633	0	B	ST GRAY	72										62	61												
						52				48	47	46			43			40											
						73								32		30									22	21	20	19	18
SALEABLE	NOT APPLICABLE	34566-8643	0	C	BLUE		71	70			67	66		64			61	60			57				54				
						52	51	50	49	48			45	44			41				37						34	33	
						73								32			28	27			25								18
SALEABLE	NOT APPLICABLE	34566-8653	9	C	BLUE		71			69		67	66	65	64	63		61	60			57							
						52	51	50		48	47	46	45		43		41						37					34	33
						73											28	27			25								
SALEABLE	NOT APPLICABLE	34566-8663	0	B	ST GRAY	72	71	70	69						64	63		61	60			58	57	56	55				
						52	51	50	49						43									38	37	36			33
						73								32		30	29	28		26	25	24	23	22	21	20			
SALEABLE	NOT APPLICABLE	34822-0223	0	A	BLACK	64	63	62	61	60	59					54	53		51		49			66					
																38	37			35		33							
						65									31			28				24	23	22	21	20	19	18	17
SALEABLE	NOT APPLICABLE	34566-8673	0	F	NATURAL	72			70		68	67	66			63	62			59		57				53			
						52	51		49	48	47	46		44			41	40	39				37	36	35	34	33		
						73								32		30			27	26	25	24		22	21	20			
SALEABLE	NOT APPLICABLE	34566-8683	0	B	ST GRAY	72			70		68	67	66			63	62			59		57				53			
						52	51		49	48	47	46		44			41	40	39				37	36	35	34	33		
						73								32		30			27	26	25	24		22	21	20			
SALEABLE	NOT APPLICABLE	34566-8693	0	A	BLACK					68	67	66			63	62			59		57				53				
						52	51		49	48	47	46		44			41	40	39				37	36	35	34	33		
						73								32		30			27	26	25	24		22	21	20			
SALEABLE	NOT APPLICABLE	34566-8713	9	B	ST GRAY										64	63			61	60			58	57	56	55			
						52	51	50	49						43									38	37	36			33
						73								32		30	29	28		26	25	24	23	22	21	20			
SALEABLE	NOT APPLICABLE	34566-8723	0	C	BLUE		71	70				66		64			61	60			57				54				
						52	51	50	49	48			45	44			41						37					34	33
						73								32			28	27			25								
SALEABLE	NOT APPLICABLE	34566-8733	0	A	BLACK	72	71	70	69	68		66	65	64	63			60			57	56				54			
						52	51	50	49	48		46	45	44	43	42			40	39	38	37	36					34	
						73								32	31	30	29	28					23	22	21	20			
SALEABLE	NOT APPLICABLE	34566-8743	0	C	BLUE						67	66		64											54				
						52	51	50	49			47	46	45	44								39	38					
						73										30	29	28	27	26	25	24	23	22	21				
SALEABLE	NOT APPLICABLE	34566-8753	0	B	ST GRAY	72	71	70	69	68	67	66	65	64	63			61	60			58	57	56	55	54	53		
						52	51	50	49	48	47	46	45	44	43				40					37	36	35	34	33	
						73								32		30	29	28		26	25	24			21		19		

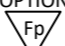
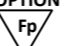
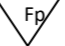
MX123 52/66/73/80-WAY RECEPTACLE ASSY SEALED PIN OUT SHEET

STATUS	GM PART #	HRNS CONN ASSY			TPA	GROMMET CAP																					
		MATERIAL/PART	WIRE DRESS OPTION	KEY OPTION Fp	COLOR OPTION Fp	NUMBERS INDICATE CAVITIES OPEN FOR CIRCUITS																					
		NUMBER																									
SALEABLE	NOT APPLICABLE	34566-8763	0	A	BLACK	72	71	70				67	66					59	58	57	56	55	54	53			
						52	51	50				47	46						39		37	36	35		33		
						73				32	31	30	29	28	27	26					21			18	17		
										16	15	14	13	12	11	10		8	7				3	2	1		
SALEABLE	12672857	34822-0243	9	A	BLACK	64	63	62	61	60	59					54	53		51		49	66					
							47									38	37		35		33						
						65								28			25	24		22	21	20	19	18	17		
										15	14	13	12					8	7			4	3	2	1		
SALEABLE	NOT APPLICABLE	34822-0253	0	A	BLACK		63	62	61	60	59					54	53		51		49	66					
																38	37		35		33						
						65								28			24	23	22	21	20	19	18	17			
										31				28								4	3	2	1		
										15	14	13						8	7								
SALEABLE	NOT APPLICABLE	34822-0263	9	C	BLUE	64	63	62		60	59			57	56	55	54	53	52	51	50	49	66				
						48	47	46	45							39		37	36	35	34	33					
						65				32		30	29	28	27	26	25	24	23	22	21		19	18	17		
										16	15	14	13	12	11	10	9	8	7	6			3	2	1		
SALEABLE	NOT APPLICABLE	34822-0273	9	A	BLACK	64	63										54	53		51		49	66				
							47										38	37		35		33					
						65								28							22		20	19	18	17	
											15	14	13	12					8	7			4	3	2	1	
SALEABLE	NOT APPLICABLE	34822-0283	0	A	BLACK				61	60	59		58		56	55					51		49	66			
													42														
						65				32															17		
										16									8						2		
SALEABLE	NOT APPLICABLE	34822-0293	0	A	BLACK	64	63										54	53		51		49	66				
							47										38	37		35		33					
						65								28						22		20	19	18	17		
										15	14	13	12					8	7				4	3	2	1	
SALEABLE	NOT APPLICABLE	34566-8773	9	B	ST GRY	72		70		68							62	61	60	59				55			
						52				48	47	46				43			40								
						73						30								22	21	20	19	18	17		
										16	15	14							8		6		4		2		
SALEABLE	NOT APPLICABLE	34566-8783	9	A	BLACK	72	71	70	69	68		66	65	64	63		61	60			57	56		54	53		
						52	51	50	49	48		46	45	44	43		40	39	38	37	36		34	33			
						73				32	31	30	29	28						23	22	21					
										15	14	13	12						7	6	5			2			
SALEABLE	NOT APPLICABLE	34566-8793	9	C	BLUE		71	70			67	66	65				61	60			57		54				
						52	51	50	49	48	47		45	44			41				37		34	33			
						73				32				28	27		25						18	17			
										16	15	14	13	12	11	10	9	8	7								
SALEABLE	NOT APPLICABLE	34566-8813	9	B	ST GRY	72	71	70	69	68	67		65	64	63		61	60	59		57	56	55	54	53		
						52	51	50	49	48	47	46	45	44	43	42		40	39			36	35	34	33		
						73				32	31	30	29	28	27	26	25	24	23	22	21						
										16	15	14	13	12	11	10	9	8	7	6		4	3	2			
SALEABLE	NOT APPLICABLE	34566-8823	9	C	BLUE	72	71	70	69		67	66		64				60					54				
						52	51	50	49		47	46		44				40	39								
						73						30	29	28	27	26	25	24	23	22	21			17			
										16	15	14	13	12	11	10	9	8	7	6	5						
SALEABLE	NOT APPLICABLE	34566-8833	9	C	BLUE	72		70		68	67	66			63	62			59		57			54	53		
						52	51		49	48	47	46		44			41	40	39		37	36	35	34	33		
						73				32		30			27	26	25	24		22	21	20		17			
										15	14	13			10	9	8	7	6	5	4			2	1		
SALEABLE	NOT APPLICABLE	34566-8843	0	C	BLUE	72	71	70	69		67	66		64									54				
						52	51	50	49		47	46		44			41		39	38							
						73						30	29	28	27	26	25	24	23	22	21			17			
										16	15	14	13	12	11	10	9	8	7	6	5						
SALEABLE	NOT APPLICABLE	34566-8853	0	B	ST GRY	72				68	67				63	62	61	60	59				55				
						52				48	47	46		44	43		41	40			38	37	36	35			
						73						30			27						22	21	20	19	18		
										16		14			11				8		6		4		1		

MX123 52/66/73/80-WAY RECEPTACLE ASSY SEALED PIN OUT SHEET

STATUS	GM PART #	HRNS CONN ASSY			TPA	GROMMET CAP																																																																																																																																																																																																																																																																																																																																																																																																																																																																																																																																																																																																																																																																																																																																																																																																																																																																																																																																																																																																																																																																																																																																																																																																																																																																																																																																																																																																											
		MATERIAL/PART	WIRE DRESS OPTION	KEY OPTION Fp	COLOR OPTION Fp	NUMBERS INDICATE CAVITIES OPEN FOR CIRCUITS																																																																																																																																																																																																																																																																																																																																																																																																																																																																																																																																																																																																																																																																																																																																																																																																																																																																																																																																																																																																																																																																																																																																																																																																																																																																																																																																																																																																											
		NUMBER				Fp																																																																																																																																																																																																																																																																																																																																																																																																																																																																																																																																																																																																																																																																																																																																																																																																																																																																																																																																																																																																																																																																																																																																																																																																																																																																																																																																																																																																											
SALEABLE	NOT APPLICABLE	34566-8863	0	B	ST GR	72	71	70	69					64	63		61			58	57	56	55								52	51	50	49						43					26	25	24	23	22	21	20								33	73				32			30	29	28				26	25	24	23	22	21	20										SALEABLE	NOT APPLICABLE	34566-8873	0	B	ST GR	72	71	70	69					64	63		61			58	57	56	55									52	51	50	49						43					26	25	24	23	22	21	20								33	73				32	31	30	29	28				26	25	24	23	22	21	20											SALEABLE	NOT APPLICABLE	34566-8883	0	B	ST GR	72	71	70	69	68	67	66	65	64	63			61	60	59	58	57	56	55									52	51	50	49	48	47	46	45	44	43			41	40	39	38	37	36	35	34	33									73				32	31	30	29	28	27	26	25	24	23	22	21	20	19	18	17											SALEABLE	NOT APPLICABLE	34566-8893	0	A	BLACK	72			70				67	66	65			63			60	59	58	57	56	55						52	51		49			48	47	46	45			43	42			40	39	38	37	36	35								73									28	27							23	22	21							18	17		SALEABLE	NOT APPLICABLE	34566-8913	0	A	BLACK	72	71	70	69	68			66	65	64	63			60			57	56									52	51	50	49	48			46	45	44	43	42	41	40	39	38	37	36												73				32	31	30	29	28									23	22	21											SALEABLE	NOT APPLICABLE	34566-8923	0	A	BLACK		71	70	69	68	67			64	63	62	61	60	59	58	57	56	55	54	53								52	51	50	49			46	45	44	43	42	41	40	39	38	37	36													73				32			29	28	27	26	25					21											18			SALEABLE	NOT APPLICABLE	34566-8933	0	C	BLUE	72	71		69	68			66	65			63			59	58			56																							39	38			36											73							31	30	29								24	23	22	21	20									SALEABLE	NOT APPLICABLE	34566-8943	0	B	ST GR	72				68						62	61															52						46			43			40																	73																														SALEABLE	NOT APPLICABLE	34566-8953	9	C	BLUE	72	71	70	69				67	66			64			60												52	51	50	49			47	46		44			40	39	38															73							30	29	28	27	26	25	24	23	22	21														SALEABLE	NOT APPLICABLE	34566-8963	0	B	ST GR	72				48	47	46				62	61	60	59					55								52				48	47	46			43		41	40					38	37	36	35									73							30																							SALEABLE	NOT APPLICABLE	34566-8973	0	A	BLACK	72	71	70	69	68			66	65	64	63			60			57	56									52	51	50	49	48			46	45	44	43	42		40	39	38	37	36												73				32	31	30	29	28									23	22	21											SALEABLE	NOT APPLICABLE	34566-8983	0	C	BLUE		71	70					67	66			64			61	60			57								52	51	50	49	48	47		45	44			41					37													73				32				28	27			25																		SALEABLE	NOT APPLICABLE	34822-0303	0	A	BLACK																										65																												65																														SALEABLE	NOT APPLICABLE	34822-0313	0	A	BLACK			63	62	61	60	59					54	53			49																																								65							31			28						24	23	22	21	20	19	18	17							SALEABLE	NOT APPLICABLE	34566-8993	0	B	ST GR								66				62			58																																									73																										19	18	17	
						52	51	50	49						43					26	25	24	23	22	21	20								33																																																																																																																																																																																																																																																																																																																																																																																																																																																																																																																																																																																																																																																																																																																																																																																																																																																																																																																																																																																																																																																																																																																																																																																																																																																																																																																																																																															
						73				32			30	29	28				26	25	24	23	22	21	20																																																																																																																																																																																																																																																																																																																																																																																																																																																																																																																																																																																																																																																																																																																																																																																																																																																																																																																																																																																																																																																																																																																																																																																																																																																																																																																																																																																								
SALEABLE	NOT APPLICABLE	34566-8873	0	B	ST GR	72	71	70	69					64	63		61			58	57	56	55									52	51	50	49						43					26	25	24	23	22	21	20								33	73				32	31	30	29	28				26	25	24	23	22	21	20											SALEABLE	NOT APPLICABLE	34566-8883	0	B	ST GR	72	71	70	69	68	67	66	65	64	63			61	60	59	58	57	56	55									52	51	50	49	48	47	46	45	44	43			41	40	39	38	37	36	35	34	33									73				32	31	30	29	28	27	26	25	24	23	22	21	20	19	18	17											SALEABLE	NOT APPLICABLE	34566-8893	0	A	BLACK	72			70				67	66	65			63			60	59	58	57	56	55						52	51		49			48	47	46	45			43	42			40	39	38	37	36	35								73									28	27							23	22	21							18	17		SALEABLE	NOT APPLICABLE	34566-8913	0	A	BLACK	72	71	70	69	68			66	65	64	63			60			57	56									52	51	50	49	48			46	45	44	43	42	41	40	39	38	37	36												73				32	31	30	29	28									23	22	21											SALEABLE	NOT APPLICABLE	34566-8923	0	A	BLACK		71	70	69	68	67			64	63	62	61	60	59	58	57	56	55	54	53								52	51	50	49			46	45	44	43	42	41	40	39	38	37	36													73				32			29	28	27	26	25					21											18			SALEABLE	NOT APPLICABLE	34566-8933	0	C	BLUE	72	71		69	68			66	65			63			59	58			56																							39	38			36											73							31	30	29								24	23	22	21	20									SALEABLE	NOT APPLICABLE	34566-8943	0	B	ST GR	72				68						62	61															52						46			43			40																	73																														SALEABLE	NOT APPLICABLE	34566-8953	9	C	BLUE	72	71	70	69				67	66			64			60												52	51	50	49			47	46		44			40	39	38															73							30	29	28	27	26	25	24	23	22	21														SALEABLE	NOT APPLICABLE	34566-8963	0	B	ST GR	72				48	47	46				62	61	60	59					55								52				48	47	46			43		41	40					38	37	36	35									73							30																							SALEABLE	NOT APPLICABLE	34566-8973	0	A	BLACK	72	71	70	69	68			66	65	64	63			60			57	56									52	51	50	49	48			46	45	44	43	42		40	39	38	37	36												73				32	31	30	29	28									23	22	21											SALEABLE	NOT APPLICABLE	34566-8983	0	C	BLUE		71	70					67	66			64			61	60			57								52	51	50	49	48	47		45	44			41					37													73				32				28	27			25																		SALEABLE	NOT APPLICABLE	34822-0303	0	A	BLACK																										65																												65																														SALEABLE	NOT APPLICABLE	34822-0313	0	A	BLACK			63	62	61	60	59					54	53			49																																								65							31			28						24	23	22	21	20	19	18	17							SALEABLE	NOT APPLICABLE	34566-8993	0	B	ST GR								66				62			58																																									73																										19	18	17																																																																																										
						52	51	50	49						43					26	25	24	23	22	21	20								33																																																																																																																																																																																																																																																																																																																																																																																																																																																																																																																																																																																																																																																																																																																																																																																																																																																																																																																																																																																																																																																																																																																																																																																																																																																																																																																																																																															
						73				32	31	30	29	28				26	25	24	23	22	21	20																																																																																																																																																																																																																																																																																																																																																																																																																																																																																																																																																																																																																																																																																																																																																																																																																																																																																																																																																																																																																																																																																																																																																																																																																																																																																																																																																																																									
SALEABLE	NOT APPLICABLE	34566-8883	0	B	ST GR	72	71	70	69	68	67	66	65	64	63			61	60	59	58	57	56	55									52	51	50	49	48	47	46	45	44	43			41	40	39	38	37	36	35	34	33									73				32	31	30	29	28	27	26	25	24	23	22	21	20	19	18	17											SALEABLE	NOT APPLICABLE	34566-8893	0	A	BLACK	72			70				67	66	65			63			60	59	58	57	56	55						52	51		49			48	47	46	45			43	42			40	39	38	37	36	35								73									28	27							23	22	21							18	17		SALEABLE	NOT APPLICABLE	34566-8913	0	A	BLACK	72	71	70	69	68			66	65	64	63			60			57	56									52	51	50	49	48			46	45	44	43	42	41	40	39	38	37	36												73				32	31	30	29	28									23	22	21											SALEABLE	NOT APPLICABLE	34566-8923	0	A	BLACK		71	70	69	68	67			64	63	62	61	60	59	58	57	56	55	54	53								52	51	50	49			46	45	44	43	42	41	40	39	38	37	36													73				32			29	28	27	26	25					21											18			SALEABLE	NOT APPLICABLE	34566-8933	0	C	BLUE	72	71		69	68			66	65			63			59	58			56																							39	38			36											73							31	30	29								24	23	22	21	20									SALEABLE	NOT APPLICABLE	34566-8943	0	B	ST GR	72				68						62	61															52						46			43			40																	73																														SALEABLE	NOT APPLICABLE	34566-8953	9	C	BLUE	72	71	70	69				67	66			64			60												52	51	50	49			47	46		44			40	39	38															73							30	29	28	27	26	25	24	23	22	21														SALEABLE	NOT APPLICABLE	34566-8963	0	B	ST GR	72				48	47	46				62	61	60	59					55								52				48	47	46			43		41	40					38	37	36	35									73							30																							SALEABLE	NOT APPLICABLE	34566-8973	0	A	BLACK	72	71	70	69	68			66	65	64	63			60			57	56									52	51	50	49	48			46	45	44	43	42		40	39	38	37	36												73				32	31	30	29	28									23	22	21											SALEABLE	NOT APPLICABLE	34566-8983	0	C	BLUE		71	70					67	66			64			61	60			57								52	51	50	49	48	47		45	44			41					37													73				32				28	27			25																		SALEABLE	NOT APPLICABLE	34822-0303	0	A	BLACK																										65																												65																														SALEABLE	NOT APPLICABLE	34822-0313	0	A	BLACK			63	62	61	60	59					54	53			49																																								65							31			28						24	23	22	21	20	19	18	17							SALEABLE	NOT APPLICABLE	34566-8993	0	B	ST GR								66				62			58																																									73																										19	18	17																																																																																																																																																																																				
						52	51	50	49	48	47	46	45	44	43			41	40	39	38	37	36	35	34	33																																																																																																																																																																																																																																																																																																																																																																																																																																																																																																																																																																																																																																																																																																																																																																																																																																																																																																																																																																																																																																																																																																																																																																																																																																																																																																																																																																																							
						73				32	31	30	29	28	27	26	25	24	23	22	21	20	19	18	17																																																																																																																																																																																																																																																																																																																																																																																																																																																																																																																																																																																																																																																																																																																																																																																																																																																																																																																																																																																																																																																																																																																																																																																																																																																																																																																																																																																								
SALEABLE	NOT APPLICABLE	34566-8893	0	A	BLACK	72			70				67	66	65			63			60	59	58	57	56	55						52	51		49			48	47	46	45			43	42			40	39	38	37	36	35								73									28	27							23	22	21							18	17		SALEABLE	NOT APPLICABLE	34566-8913	0	A	BLACK	72	71	70	69	68			66	65	64	63			60			57	56									52	51	50	49	48			46	45	44	43	42	41	40	39	38	37	36												73				32	31	30	29	28									23	22	21											SALEABLE	NOT APPLICABLE	34566-8923	0	A	BLACK		71	70	69	68	67			64	63	62	61	60	59	58	57	56	55	54	53								52	51	50	49			46	45	44	43	42	41	40	39	38	37	36													73				32			29	28	27	26	25					21											18			SALEABLE	NOT APPLICABLE	34566-8933	0	C	BLUE	72	71		69	68			66	65			63			59	58			56																							39	38			36											73							31	30	29								24	23	22	21	20									SALEABLE	NOT APPLICABLE	34566-8943	0	B	ST GR	72				68						62	61															52						46			43			40																	73																														SALEABLE	NOT APPLICABLE	34566-8953	9	C	BLUE	72	71	70	69				67	66			64			60												52	51	50	49			47	46		44			40	39	38															73							30	29	28	27	26	25	24	23	22	21														SALEABLE	NOT APPLICABLE	34566-8963	0	B	ST GR	72				48	47	46				62	61	60	59					55								52				48	47	46			43		41	40					38	37	36	35									73							30																							SALEABLE	NOT APPLICABLE	34566-8973	0	A	BLACK	72	71	70	69	68			66	65	64	63			60			57	56									52	51	50	49	48			46	45	44	43	42		40	39	38	37	36												73				32	31	30	29	28									23	22	21											SALEABLE	NOT APPLICABLE	34566-8983	0	C	BLUE		71	70					67	66			64			61	60			57								52	51	50	49	48	47		45	44			41					37													73				32				28	27			25																		SALEABLE	NOT APPLICABLE	34822-0303	0	A	BLACK																										65																												65																														SALEABLE	NOT APPLICABLE	34822-0313	0	A	BLACK			63	62	61	60	59					54	53			49																																								65							31			28						24	23	22	21	20	19	18	17							SALEABLE	NOT APPLICABLE	34566-8993	0	B	ST GR								66				62			58																																									73																										19	18	17																																																																																																																																																																																																																																																																																
						52	51		49			48	47	46	45			43	42			40	39	38	37	36	35																																																																																																																																																																																																																																																																																																																																																																																																																																																																																																																																																																																																																																																																																																																																																																																																																																																																																																																																																																																																																																																																																																																																																																																																																																																																																																																																																																																						
						73									28	27							23	22	21							18	17																																																																																																																																																																																																																																																																																																																																																																																																																																																																																																																																																																																																																																																																																																																																																																																																																																																																																																																																																																																																																																																																																																																																																																																																																																																																																																																																																																																
SALEABLE	NOT APPLICABLE	34566-8913	0	A	BLACK	72	71	70	69	68			66	65	64	63			60			57	56									52	51	50	49	48			46	45	44	43	42	41	40	39	38	37	36												73				32	31	30	29	28									23	22	21											SALEABLE	NOT APPLICABLE	34566-8923	0	A	BLACK		71	70	69	68	67			64	63	62	61	60	59	58	57	56	55	54	53								52	51	50	49			46	45	44	43	42	41	40	39	38	37	36													73				32			29	28	27	26	25					21											18			SALEABLE	NOT APPLICABLE	34566-8933	0	C	BLUE	72	71		69	68			66	65			63			59	58			56																							39	38			36											73							31	30	29								24	23	22	21	20									SALEABLE	NOT APPLICABLE	34566-8943	0	B	ST GR	72				68						62	61															52						46			43			40																	73																														SALEABLE	NOT APPLICABLE	34566-8953	9	C	BLUE	72	71	70	69				67	66			64			60												52	51	50	49			47	46		44			40	39	38															73							30	29	28	27	26	25	24	23	22	21														SALEABLE	NOT APPLICABLE	34566-8963	0	B	ST GR	72				48	47	46				62	61	60	59					55								52				48	47	46			43		41	40					38	37	36	35									73							30																							SALEABLE	NOT APPLICABLE	34566-8973	0	A	BLACK	72	71	70	69	68			66	65	64	63			60			57	56									52	51	50	49	48			46	45	44	43	42		40	39	38	37	36												73				32	31	30	29	28									23	22	21											SALEABLE	NOT APPLICABLE	34566-8983	0	C	BLUE		71	70					67	66			64			61	60			57								52	51	50	49	48	47		45	44			41					37													73				32				28	27			25																		SALEABLE	NOT APPLICABLE	34822-0303	0	A	BLACK																										65																												65																														SALEABLE	NOT APPLICABLE	34822-0313	0	A	BLACK			63	62	61	60	59					54	53			49																																								65							31			28						24	23	22	21	20	19	18	17							SALEABLE	NOT APPLICABLE	34566-8993	0	B	ST GR								66				62			58																																									73																										19	18	17																																																																																																																																																																																																																																																																																																																																																																										
						52	51	50	49	48			46	45	44	43	42	41	40	39	38	37	36																																																																																																																																																																																																																																																																																																																																																																																																																																																																																																																																																																																																																																																																																																																																																																																																																																																																																																																																																																																																																																																																																																																																																																																																																																																																																																																																																																																										
						73				32	31	30	29	28									23	22	21																																																																																																																																																																																																																																																																																																																																																																																																																																																																																																																																																																																																																																																																																																																																																																																																																																																																																																																																																																																																																																																																																																																																																																																																																																																																																																																																																																																								
SALEABLE	NOT APPLICABLE	34566-8923	0	A	BLACK		71	70	69	68	67			64	63	62	61	60	59	58	57	56	55	54	53								52	51	50	49			46	45	44	43	42	41	40	39	38	37	36													73				32			29	28	27	26	25					21											18			SALEABLE	NOT APPLICABLE	34566-8933	0	C	BLUE	72	71		69	68			66	65			63			59	58			56																							39	38			36											73							31	30	29								24	23	22	21	20									SALEABLE	NOT APPLICABLE	34566-8943	0	B	ST GR	72				68						62	61															52						46			43			40																	73																														SALEABLE	NOT APPLICABLE	34566-8953	9	C	BLUE	72	71	70	69				67	66			64			60												52	51	50	49			47	46		44			40	39	38															73							30	29	28	27	26	25	24	23	22	21														SALEABLE	NOT APPLICABLE	34566-8963	0	B	ST GR	72				48	47	46				62	61	60	59					55								52				48	47	46			43		41	40					38	37	36	35									73							30																							SALEABLE	NOT APPLICABLE	34566-8973	0	A	BLACK	72	71	70	69	68			66	65	64	63			60			57	56									52	51	50	49	48			46	45	44	43	42		40	39	38	37	36												73				32	31	30	29	28									23	22	21											SALEABLE	NOT APPLICABLE	34566-8983	0	C	BLUE		71	70					67	66			64			61	60			57								52	51	50	49	48	47		45	44			41					37													73				32				28	27			25																		SALEABLE	NOT APPLICABLE	34822-0303	0	A	BLACK																										65																												65																														SALEABLE	NOT APPLICABLE	34822-0313	0	A	BLACK			63	62	61	60	59					54	53			49																																								65							31			28						24	23	22	21	20	19	18	17							SALEABLE	NOT APPLICABLE	34566-8993	0	B	ST GR								66				62			58																																									73																										19	18	17																																																																																																																																																																																																																																																																																																																																																																																																																																																																					
						52	51	50	49			46	45	44	43	42	41	40	39	38	37	36																																																																																																																																																																																																																																																																																																																																																																																																																																																																																																																																																																																																																																																																																																																																																																																																																																																																																																																																																																																																																																																																																																																																																																																																																																																																																																																																																																																											
						73				32			29	28	27	26	25					21											18																																																																																																																																																																																																																																																																																																																																																																																																																																																																																																																																																																																																																																																																																																																																																																																																																																																																																																																																																																																																																																																																																																																																																																																																																																																																																																																																																																																
SALEABLE	NOT APPLICABLE	34566-8933	0	C	BLUE	72	71		69	68			66	65			63			59	58			56																							39	38			36											73							31	30	29								24	23	22	21	20									SALEABLE	NOT APPLICABLE	34566-8943	0	B	ST GR	72				68						62	61															52						46			43			40																	73																														SALEABLE	NOT APPLICABLE	34566-8953	9	C	BLUE	72	71	70	69				67	66			64			60												52	51	50	49			47	46		44			40	39	38															73							30	29	28	27	26	25	24	23	22	21														SALEABLE	NOT APPLICABLE	34566-8963	0	B	ST GR	72				48	47	46				62	61	60	59					55								52				48	47	46			43		41	40					38	37	36	35									73							30																							SALEABLE	NOT APPLICABLE	34566-8973	0	A	BLACK	72	71	70	69	68			66	65	64	63			60			57	56									52	51	50	49	48			46	45	44	43	42		40	39	38	37	36												73				32	31	30	29	28									23	22	21											SALEABLE	NOT APPLICABLE	34566-8983	0	C	BLUE		71	70					67	66			64			61	60			57								52	51	50	49	48	47		45	44			41					37													73				32				28	27			25																		SALEABLE	NOT APPLICABLE	34822-0303	0	A	BLACK																										65																												65																														SALEABLE	NOT APPLICABLE	34822-0313	0	A	BLACK			63	62	61	60	59					54	53			49																																								65							31			28						24	23	22	21	20	19	18	17							SALEABLE	NOT APPLICABLE	34566-8993	0	B	ST GR								66				62			58																																									73																										19	18	17																																																																																																																																																																																																																																																																																																																																																																																																																																																																																																																																																																	
																				39	38			36																																																																																																																																																																																																																																																																																																																																																																																																																																																																																																																																																																																																																																																																																																																																																																																																																																																																																																																																																																																																																																																																																																																																																																																																																																																																																																																																																																																									
						73							31	30	29								24	23	22	21	20																																																																																																																																																																																																																																																																																																																																																																																																																																																																																																																																																																																																																																																																																																																																																																																																																																																																																																																																																																																																																																																																																																																																																																																																																																																																																																																																																																																						
SALEABLE	NOT APPLICABLE	34566-8943	0	B	ST GR	72				68						62	61															52						46			43			40																	73																														SALEABLE	NOT APPLICABLE	34566-8953	9	C	BLUE	72	71	70	69				67	66			64			60												52	51	50	49			47	46		44			40	39	38															73							30	29	28	27	26	25	24	23	22	21														SALEABLE	NOT APPLICABLE	34566-8963	0	B	ST GR	72				48	47	46				62	61	60	59					55								52				48	47	46			43		41	40					38	37	36	35									73							30																							SALEABLE	NOT APPLICABLE	34566-8973	0	A	BLACK	72	71	70	69	68			66	65	64	63			60			57	56									52	51	50	49	48			46	45	44	43	42		40	39	38	37	36												73				32	31	30	29	28									23	22	21											SALEABLE	NOT APPLICABLE	34566-8983	0	C	BLUE		71	70					67	66			64			61	60			57								52	51	50	49	48	47		45	44			41					37													73				32				28	27			25																		SALEABLE	NOT APPLICABLE	34822-0303	0	A	BLACK																										65																												65																														SALEABLE	NOT APPLICABLE	34822-0313	0	A	BLACK			63	62	61	60	59					54	53			49																																								65							31			28						24	23	22	21	20	19	18	17							SALEABLE	NOT APPLICABLE	34566-8993	0	B	ST GR								66				62			58																																									73																										19	18	17																																																																																																																																																																																																																																																																																																																																																																																																																																																																																																																																																																																																																																																													
						52						46			43			40																																																																																																																																																																																																																																																																																																																																																																																																																																																																																																																																																																																																																																																																																																																																																																																																																																																																																																																																																																																																																																																																																																																																																																																																																																																																																																																																																																																															
						73																																																																																																																																																																																																																																																																																																																																																																																																																																																																																																																																																																																																																																																																																																																																																																																																																																																																																																																																																																																																																																																																																																																																																																																																																																																																																																																																																																																																											
SALEABLE	NOT APPLICABLE	34566-8953	9	C	BLUE	72	71	70	69				67	66			64			60												52	51	50	49			47	46		44			40	39	38															73							30	29	28	27	26	25	24	23	22	21														SALEABLE	NOT APPLICABLE	34566-8963	0	B	ST GR	72				48	47	46				62	61	60	59					55								52				48	47	46			43		41	40					38	37	36	35									73							30																							SALEABLE	NOT APPLICABLE	34566-8973	0	A	BLACK	72	71	70	69	68			66	65	64	63			60			57	56									52	51	50	49	48			46	45	44	43	42		40	39	38	37	36												73				32	31	30	29	28									23	22	21											SALEABLE	NOT APPLICABLE	34566-8983	0	C	BLUE		71	70					67	66			64			61	60			57								52	51	50	49	48	47		45	44			41					37													73				32				28	27			25																		SALEABLE	NOT APPLICABLE	34822-0303	0	A	BLACK																										65																												65																														SALEABLE	NOT APPLICABLE	34822-0313	0	A	BLACK			63	62	61	60	59					54	53			49																																								65							31			28						24	23	22	21	20	19	18	17							SALEABLE	NOT APPLICABLE	34566-8993	0	B	ST GR								66				62			58																																									73																										19	18	17																																																																																																																																																																																																																																																																																																																																																																																																																																																																																																																																																																																																																																																																																																																																																								
						52	51	50	49			47	46		44			40	39	38																																																																																																																																																																																																																																																																																																																																																																																																																																																																																																																																																																																																																																																																																																																																																																																																																																																																																																																																																																																																																																																																																																																																																																																																																																																																																																																																																																																													
						73							30	29	28	27	26	25	24	23	22	21																																																																																																																																																																																																																																																																																																																																																																																																																																																																																																																																																																																																																																																																																																																																																																																																																																																																																																																																																																																																																																																																																																																																																																																																																																																																																																																																																																																											
SALEABLE	NOT APPLICABLE	34566-8963	0	B	ST GR	72				48	47	46				62	61	60	59					55								52				48	47	46			43		41	40					38	37	36	35									73							30																							SALEABLE	NOT APPLICABLE	34566-8973	0	A	BLACK	72	71	70	69	68			66	65	64	63			60			57	56									52	51	50	49	48			46	45	44	43	42		40	39	38	37	36												73				32	31	30	29	28									23	22	21											SALEABLE	NOT APPLICABLE	34566-8983	0	C	BLUE		71	70					67	66			64			61	60			57								52	51	50	49	48	47		45	44			41					37													73				32				28	27			25																		SALEABLE	NOT APPLICABLE	34822-0303	0	A	BLACK																										65																												65																														SALEABLE	NOT APPLICABLE	34822-0313	0	A	BLACK			63	62	61	60	59					54	53			49																																								65							31			28						24	23	22	21	20	19	18	17							SALEABLE	NOT APPLICABLE	34566-8993	0	B	ST GR								66				62			58																																									73																										19	18	17																																																																																																																																																																																																																																																																																																																																																																																																																																																																																																																																																																																																																																																																																																																																																																																																																																																			
						52				48	47	46			43		41	40					38	37	36	35																																																																																																																																																																																																																																																																																																																																																																																																																																																																																																																																																																																																																																																																																																																																																																																																																																																																																																																																																																																																																																																																																																																																																																																																																																																																																																																																																																																							
						73							30																																																																																																																																																																																																																																																																																																																																																																																																																																																																																																																																																																																																																																																																																																																																																																																																																																																																																																																																																																																																																																																																																																																																																																																																																																																																																																																																																																																																				
SALEABLE	NOT APPLICABLE	34566-8973	0	A	BLACK	72	71	70	69	68			66	65	64	63			60			57	56									52	51	50	49	48			46	45	44	43	42		40	39	38	37	36												73				32	31	30	29	28									23	22	21											SALEABLE	NOT APPLICABLE	34566-8983	0	C	BLUE		71	70					67	66			64			61	60			57								52	51	50	49	48	47		45	44			41					37													73				32				28	27			25																		SALEABLE	NOT APPLICABLE	34822-0303	0	A	BLACK																										65																												65																														SALEABLE	NOT APPLICABLE	34822-0313	0	A	BLACK			63	62	61	60	59					54	53			49																																								65							31			28						24	23	22	21	20	19	18	17							SALEABLE	NOT APPLICABLE	34566-8993	0	B	ST GR								66				62			58																																									73																										19	18	17																																																																																																																																																																																																																																																																																																																																																																																																																																																																																																																																																																																																																																																																																																																																																																																																																																																																																																																																														
						52	51	50	49	48			46	45	44	43	42		40	39	38	37	36																																																																																																																																																																																																																																																																																																																																																																																																																																																																																																																																																																																																																																																																																																																																																																																																																																																																																																																																																																																																																																																																																																																																																																																																																																																																																																																																																																																										
						73				32	31	30	29	28									23	22	21																																																																																																																																																																																																																																																																																																																																																																																																																																																																																																																																																																																																																																																																																																																																																																																																																																																																																																																																																																																																																																																																																																																																																																																																																																																																																																																																																																																								
SALEABLE	NOT APPLICABLE	34566-8983	0	C	BLUE		71	70					67	66			64			61	60			57								52	51	50	49	48	47		45	44			41					37													73				32				28	27			25																		SALEABLE	NOT APPLICABLE	34822-0303	0	A	BLACK																										65																												65																														SALEABLE	NOT APPLICABLE	34822-0313	0	A	BLACK			63	62	61	60	59					54	53			49																																								65							31			28						24	23	22	21	20	19	18	17							SALEABLE	NOT APPLICABLE	34566-8993	0	B	ST GR								66				62			58																																									73																										19	18	17																																																																																																																																																																																																																																																																																																																																																																																																																																																																																																																																																																																																																																																																																																																																																																																																																																																																																																																																																																																																																																									
						52	51	50	49	48	47		45	44			41					37																																																																																																																																																																																																																																																																																																																																																																																																																																																																																																																																																																																																																																																																																																																																																																																																																																																																																																																																																																																																																																																																																																																																																																																																																																																																																																																																																																																											
						73				32				28	27			25																																																																																																																																																																																																																																																																																																																																																																																																																																																																																																																																																																																																																																																																																																																																																																																																																																																																																																																																																																																																																																																																																																																																																																																																																																																																																																																																																																																															
SALEABLE	NOT APPLICABLE	34822-0303	0	A	BLACK																										65																												65																														SALEABLE	NOT APPLICABLE	34822-0313	0	A	BLACK			63	62	61	60	59					54	53			49																																								65							31			28						24	23	22	21	20	19	18	17							SALEABLE	NOT APPLICABLE	34566-8993	0	B	ST GR								66				62			58																																									73																										19	18	17																																																																																																																																																																																																																																																																																																																																																																																																																																																																																																																																																																																																																																																																																																																																																																																																																																																																																																																																																																																																																																																																																																																																				
						65																																																																																																																																																																																																																																																																																																																																																																																																																																																																																																																																																																																																																																																																																																																																																																																																																																																																																																																																																																																																																																																																																																																																																																																																																																																																																																																																																																																																											
						65																																																																																																																																																																																																																																																																																																																																																																																																																																																																																																																																																																																																																																																																																																																																																																																																																																																																																																																																																																																																																																																																																																																																																																																																																																																																																																																																																																																																											
SALEABLE	NOT APPLICABLE	34822-0313	0	A	BLACK			63	62	61	60	59					54	53			49																																								65							31			28						24	23	22	21	20	19	18	17							SALEABLE	NOT APPLICABLE	34566-8993	0	B	ST GR								66				62			58																																									73																										19	18	17																																																																																																																																																																																																																																																																																																																																																																																																																																																																																																																																																																																																																																																																																																																																																																																																																																																																																																																																																																																																																																																																																																																																																																																																																													
						65							31			28						24	23	22	21	20	19	18	17																																																																																																																																																																																																																																																																																																																																																																																																																																																																																																																																																																																																																																																																																																																																																																																																																																																																																																																																																																																																																																																																																																																																																																																																																																																																																																																																																																																				
SALEABLE	NOT APPLICABLE	34566-8993	0	B	ST GR								66				62			58																																									73																										19	18	17																																																																																																																																																																																																																																																																																																																																																																																																																																																																																																																																																																																																																																																																																																																																																																																																																																																																																																																																																																																																																																																																																																																																																																																																																																																																																																																								
						73																										19	18	17																																																																																																																																																																																																																																																																																																																																																																																																																																																																																																																																																																																																																																																																																																																																																																																																																																																																																																																																																																																																																																																																																																																																																																																																																																																																																																																																																																															

MX123 52/66/73/80-WAY RECEPTACLE ASSY SEALED PIN OUT SHEET

STATUS	GM PART #	HRNS CONN ASSY			TPA	GROMMET CAP																				
		MATERIAL/PART	WIRE DRESS OPTION	KEY OPTION 	COLOR OPTION 	NUMBERS INDICATE CAVITIES OPEN FOR CIRCUITS																				
		NUMBER																								
SALEABLE	NOT APPLICABLE	34566-9143	9	F	NATURAL	72	71	70			67	66	65	64	63	62	61	60	59			56	55	54	53	
						52	51	50	49	48	47	46	45	44			41	40	39				36	35	34	
						73				32	31		29	28	27	26	25	24	23	22	21	20				
SALEABLE	NOT APPLICABLE	34566-9153	9	B	ST GRY						66								58							
															41				38	37						
						73																20	19	18	17	
SALEABLE	NOT APPLICABLE	34566-9163	9	B	ST GRY					68	67	66	65			62		60	59				54	53		
										48	47	46	45	44		42	41	40	39				35	34		
						73					31				27									19	18	17
SALEABLE	NOT APPLICABLE	34566-9173	0	B	ST GRY							65			62				58							
															41				38	37						
						73																5				19
SALEABLE	NOT APPLICABLE	34822-0363	9	C	BLUE				61			58														
										44	43		41	40		38							20			
						65					31															
SALEABLE	NOT APPLICABLE	34822-0373	9	A	BLACK	64	63	62	61	60					55			52	51		49					
						48	47	46	45							38										
						65				32		30	29		27								22	21	20	19
SALEABLE	NOT APPLICABLE	34822-0383	9	A	BLACK	64	63	62	61	60			57				52	51		49						
						48	47	46	45				40													
						65				32		30	29		27								22	21	20	19
SALEABLE	NOT APPLICABLE	34822-0393	0	A	BLACK	64	63	62	61	60			57				52	51		49						
						48	47	46	45						38											
						65				32		30	29		27								22	21	20	19
SALEABLE	NOT APPLICABLE	34822-0403	9	A	BLACK	64	63								54	53		51		49						
														38	37		35		33							
						65					31			28							22			20	19	18
SALEABLE	NOT APPLICABLE	34822-0413	0	A	BLACK																					
															54	53		51		49						
						65								28							22			20	19	18
SALEABLE	NOT APPLICABLE	34822-0423	9	A	BLACK										54	53		50								
										44	43	42	41	40	39		37	36	35	34	33					
						65					31			28			26	25	24	23						
SALEABLE	NOT APPLICABLE	34566-9183	9	B	ST GRY	72	71	70	69	68	67		65	64	63	62	61	60	59		57	56	55	54	53	
						52	51	50	49	48	47	46	45	44	43	42		40	39			36	35	34	33	
						73				32	31	30	29	28	27	26	25	24	23	22	21				19	
SALEABLE	NOT APPLICABLE	34566-9193	9	F	NATURAL				69	68										58	57					
															43	42										
						73						30													19	18
SALEABLE	NOT APPLICABLE	34822-0433	0	A	BLACK	64	63	62		60	59		57	56	55	54	53	52	51	50	49					
						48	47	46	45				42			39		37	36	35	34	33				
						65				32		30	29	28	27	26	25	24	23	22	21			20	19	18
SALEABLE	NOT APPLICABLE	34822-0443	0	A	BLACK	64	63	62		60	59		57	56	55	54	53	52	51	50	49					
						48	47	46	45				42			39		37	36	35	34	33				
						65				32	31	30	29	28	27	26	25	24	23	22	21			20	19	18

MX123 52/66/73/80-WAY RECEPTACLE ASSY SEALED PIN OUT SHEET

STATUS	GM PART #	HRNS CONN ASSY			TPA	GROMMET CAP																						
		MATERIAL/PART	WIRE DRESS OPTION	KEY OPTION Fp	COLOR OPTION Fp	NUMBERS INDICATE CAVITIES OPEN FOR CIRCUITS																						
		NUMBER				Fp																						
SALEABLE	NOT APPLICABLE	34822-0453	0	A	BLACK						59	58	57	56		54	53			50		66						
										44	43	42	41	40	39													
						65																						
SALEABLE	NOT APPLICABLE	34566-9213	0	B	ST GRAY																							
							51	50	49	68	67	66	65	64														
						73																						
SALEABLE	NOT APPLICABLE	34566-9223	9	B	ST GRAY	72																						
						52				48	47	46																
						73																						
SALEABLE	NOT APPLICABLE	34566-9233	9	C	BLUE		71																					
						52	51	50		48	47																	
						73																						
SALEABLE	NOT APPLICABLE	34566-9243	9	B	ST GRAY	72	71	70	69																			
						52	51	50	49																			
						73																						
SALEABLE	NOT APPLICABLE	34566-9253	9	B	ST GRAY	72	71	70	69	68	67																	
						52	51	50	49	48	47	46	45	44	43	42												
						73																						
SALEABLE	NOT APPLICABLE	34566-9263	9	B	ST GRAY	72																						
						52						46																
						73																						
SALEABLE	NOT APPLICABLE	34822-0463	0	A	BLACK	64	63	62																				
						48	47	46	45																			
						65																						
SALEABLE	NOT APPLICABLE	34822-0473	9	C	BLUE	64	63	62																				
						48	47	46	45																			
						65																						
SALEABLE	NOT APPLICABLE	34822-0483	9	A	BLACK	64	63																					
						65																						
SALEABLE	NOT APPLICABLE	34566-9273	9	B	ST GRAY	72	71	70	69	68	67																	
								50	49	48	47	46																
						73																						
SALEABLE	NOT APPLICABLE	34822-0493	0	C	BLUE	64	63	62																				
						48	47	46	45																			
						65																						
SALEABLE	NOT APPLICABLE	34566-9283	9	G	BLUE	80	79	78																				
						60	59	58	57																			
						40	39		37																			
SALEABLE	NOT APPLICABLE	34566-9293	9	G	BLUE																							
						73																						
SALEABLE	NOT APPLICABLE	34566-9313	9	A	BLACK	72																						
						52	51																					
						73																						

MX123 52/66/73/80-WAY RECEPTACLE ASSY SEALED PIN OUT SHEET

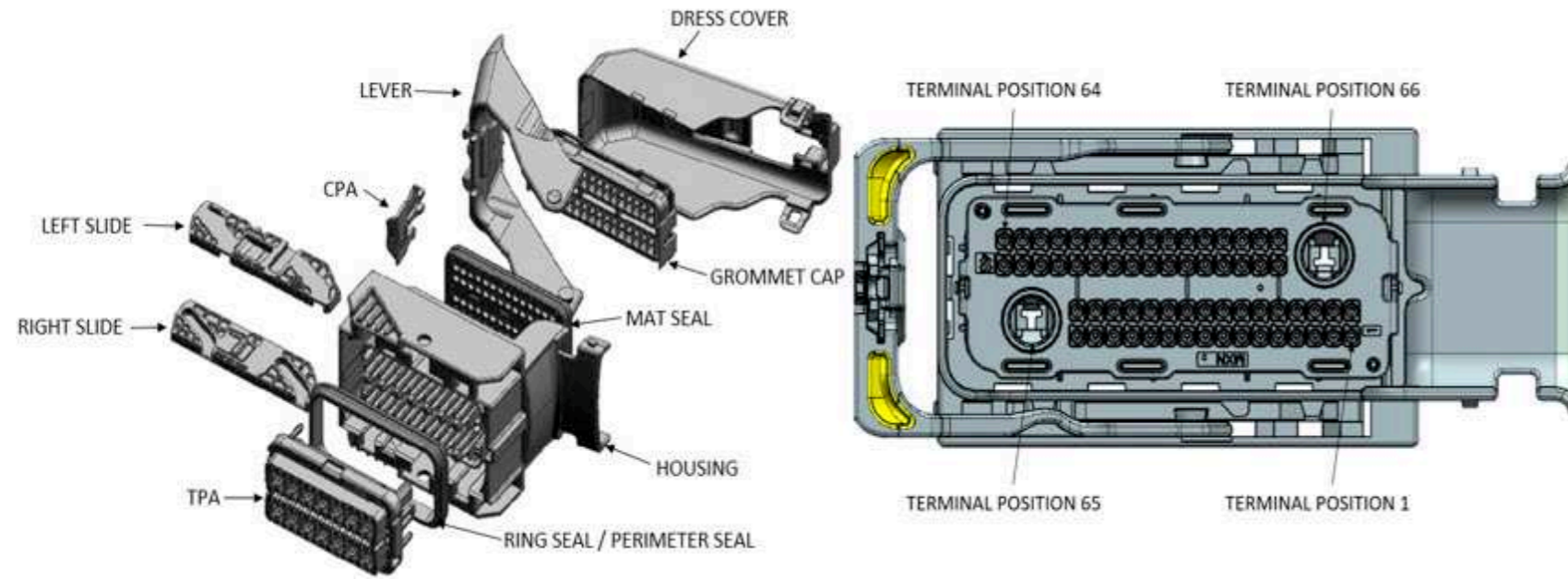
STATUS	GM PART #	HRNS CONN ASSY			TPA	GROMMET CAP																											
		MATERIAL/PART	WIRE DRESS OPTION	KEY OPTION Fp	COLOR OPTION Fp	NUMBERS INDICATE CAVITIES OPEN FOR CIRCUITS																											
		NUMBER				Fp																											
SALEABLE	NOT APPLICABLE	34566-9323	9	A	BLACK	72										64		62	61			59	58	57	56	55	54	53					
						52	51					48		46	45			43		41	40												
						73				32		30	29			27		25											20				
SALEABLE	NOT APPLICABLE	34566-9333	9	A	BLACK	72										64		62	61			59	58	57	56	55	54	53					
						52	51					48		46	45			43		41	40												
						73				32		30	29			27		25												20			
SALEABLE	NOT APPLICABLE	34566-9343	9	C	BLUE	72		70	69	68								63	62					58		56	55		53				
									49								43	42			40						38		36	35			
						73						31	30	29				26		24							22	21	20	19		17	
SALEABLE	NOT APPLICABLE	34822-0503	0	A	BLACK	64			62	61	60	59	58						54	53									66				
						48	47														38	37	36									17	
						65							15		13							9		7						4	3	2	1
SALEABLE	NOT APPLICABLE	34822-0513	9	A	BLACK		63	62	61										54	53									66				
																					38	37											17
						65							31			28						24					22	21	20	19	18	17	
SALEABLE	NOT APPLICABLE	34566-9353	9	A	BLACK	72											64		62	61									53				
						52	51					48		46	45			43		41	40												
						73				32		30	29			27		25												20			
SALEABLE	NOT APPLICABLE	34566-9363	9	A	BLACK	72											64		62	61									53				
						52	51					46	45			43			40														
						73				32		30	29			27		25												20			
SALEABLE	NOT APPLICABLE	34566-9373	9	G	BLUE	80																											
							59		57																								
							39															30											
SALEABLE	NOT APPLICABLE	34566-9383	9	A	BLACK	72	71	70	69	68							64	63	62	61										53			
						52	51	50		48	47	46	45	44	43			41	40	39	38	37											
						73				32		30	29			27	26	25	24											20	19	18	17
SALEABLE	NOT APPLICABLE	34566-9393	0	B	ST GRY	72	71	70	69	68	67																				53		
						52	51	50	49	48	47	46	45	44	43	42			40	39													
						73				32	31	30	29	28	27	26	25	24	23	22	21	20											
SALEABLE	NOT APPLICABLE	34566-9413	9	H	ST GRY																												
SALEABLE	NOT APPLICABLE	34566-9423	0	A	BLACK	72	71	70			67	66													58	57	56	55	54	53			
						52	51	50				47	46															39	37	36	35		33
						73				32	31	30	29	28	27	26																18	17
SALEABLE	NOT APPLICABLE	34566-9433	0	B	ST GRY	72	71	70	69	68	67	66	65	64	63						61	60	59									53	
						52	51	50	49	48	47	46	45	44							40	39											
						73						30	29	28	27	26	25	24												21			
SALEABLE	NOT APPLICABLE	34566-9443	9	B	ST GRY	72	71	70	69	68	67																					53	
								50	49	48	47	46																					
						73				32	31	30	29	28	27	26	25	24	23	22	21												
SALEABLE	NOT APPLICABLE	34566-9453	0	A	BLACK	72	71	70	69		67																				53		
						52	51																										
						73						31	30	29																		19	18

MX123 52/66/73/80-WAY RECEPTACLE ASSY SEALED PIN OUT SHEET

STATUS	GM PART #	HRNS CONN ASSY			TPA	GROMMET CAP																					
		MATERIAL/PART	WIRE DRESS OPTION	KEY OPTION	COLOR OPTION	NUMBERS INDICATE CAVITIES OPEN FOR CIRCUITS																					
		NUMBER		Fp	Fp	Fp																					
SALEABLE	NOT APPLICABLE	34566-9633	9	B	ST GRY	72	71	70	69	68	67		65	64	63		61	60	59		57	56	55	54	53		
						52	51	50	49	48	47	46	45	44	43	42		40	39			36	35	34	33		
						73				32	31	30	29	28	27	26	25	24	23	22	21	20					
SALEABLE	NOT APPLICABLE	34566-9643	9	A	BLACK				69					64	63		61		59								
						52				48				44	43		41		39	38				35	34		
						73							30	29							10					5	
SALEABLE	NOT APPLICABLE	34566-9653	9	G	BLUE	80													66	65							
							59		57																		
							39										30										
SALEABLE	NOT APPLICABLE	34566-9663	0	B	ST GRY	72	71	70	69	68	67	66	65	64	63		61			58	57	56	55	54	53		
						52	51	50	49	48	47	46	45	44			40			37	36	35	34	33			
						73				32		30	29	28		26	25	24		21							2
SALEABLE	NOT APPLICABLE	34822-0533	9	C	BLUE	64	63			60	59		57	56	55		53	52	51	50	49	66					
						48	47	46	45			42			39	38		36	35	34	33						
						65				32		30	29	28	27	26	25	24	23	22		20			18	17	
SALEABLE	NOT APPLICABLE	34822-0543	0	A	BLACK	64	63	62	61	60	59					54	53		51		49	66					
							47								38	37		35		33							
						65							28			25	24		22	21	20	19	18	17			
SALEABLE	NOT APPLICABLE	34822-0553	0	A	BLACK	64	63								54	53		51		49	66						
														38	37		35		33								
						65					31		28			24	23		21	20	19	18	17				
SALEABLE	NOT APPLICABLE	34822-0563	0	C	BLUE	64	63	62		60	59		57	56	55	54	53	52	51	50	49	66					
						48	47	46	45			42			39		37	36	35	34	33						
						65				32		30	29	28	27	26		24	23	22			19	18	17		
SALEABLE	NOT APPLICABLE	34566-9673	0	C	BLUE	72	71	70	69		67	66	65	64				60			56			54			
						52	51	50	49		47	46	45	44				40	39	38					34		
						73					31	30	28			26	25	24	23	22	21	20					
SALEABLE	NOT APPLICABLE	34566-9683	0	B	ST GRY	72	71	70	69	68	67	66	65	64	63		61	60			57	56	55	54			
						52	51	50	49	48	47	46	45	44	43		41	40		38	37	36	35			33	
						73				32	31	30	29	28		26		24	23	22	21	20	19				17
SALEABLE	NOT APPLICABLE	34566-9693	0	A	BLACK	72		70			67					63			60	59	58	57	56	55	53		
						52	51			48	47				43	42		40	39	38	37	36	35			33	
						73								28													18
SALEABLE	NOT APPLICABLE	34566-9713	0	B	ST GRY					68	67	66	65	64						59	58	57		55	54	53	
							51	50	49	48		46	45		43	42		40	39	38	37		35				33
						73				32	31	30				26		24	23	22	20						
SALEABLE	NOT APPLICABLE	34566-9723	0	B	ST GRY																						
						72	71	70	69	68	67	66	65	64	63		61			58	57	56	55				
						52	51	50	49	48	47	46	45		43			40			37	36					
SALEABLE	NOT APPLICABLE	34566-9733	0	A	BLACK																						
						72	71	70			67	66							59							53	
						52	51	50			47	46							39			37				35	33
SALEABLE	NOT APPLICABLE	34822-0573	0	A	BLACK																						
						73							30	29	28	27	26			21							17
						65							13		11	10		8	7					3			1

MX123 52/66/73/80-WAY RECEPTACLE ASSY SEALED PIN OUT SHEET

STATUS	GM PART #	HRNS CONN ASSY			TPA	GROMMET CAP																				
		MATERIAL/PART	WIRE DRESS OPTION	KEY OPTION △ Fp	COLOR OPTION △ Fp	NUMBERS INDICATE CAVITIES OPEN FOR CIRCUITS △ Fp																				
		NUMBER																								
SALEABLE	NOT APPLICABLE	34822-0583	0	A	BLACK					44	59	58	57	56		54	53			50					66	
										31			28		26	25	24	23								
		65				16	15	14	13						9	8		6								
SALEABLE	NOT APPLICABLE	34822-0593	0	A	BLACK	64	63	62		60	59		57	56	55	54	53		51		49				66	
						48	47	46	45			42			39		37		35		33					
		65				32													21			19	18	17		
						16	15																			
SALEABLE	NOT APPLICABLE	34566-9743	0	B	ST GRY	72	71	70	69	68	67		65	64	63		61	60	59		57	56	55	54	53	
								50	49	48	47	46		44	43	42		40	39		36	35	34	33		
		73				32	31	30	29	28	27	26	25	24	23	22	21									
						16	15	14	13	12	11	10	9	8	7	6						3	2			
SALEABLE	NOT APPLICABLE	34566-9753	0	C	BLUE	72	71	70	69		67	66	65	64				60			56		54			
						52	51	50	49		47	46	45	44		42	41	40	39							
		73									31	30	28		26	25	24	23	22	21	20					
						16	15	14	13	12					9	8	7	6	5	4						
SALEABLE	NOT APPLICABLE	34566-9763	0	G	BLUE			78	77	76										67	66	65				
										55									47	45						
		40	39	38	37	36	35	34	33	32						29	28		26	25				22	21	
		20	19	18	17	16	15	14	13	12													3		1	
SALEABLE	NOT APPLICABLE	34566-9773	0	A	BLACK	72	71	70			67	66							59						53	
						52	51	50			47	46							39		37		35		33	
		73										30	29	28	27	26				21				17		
						16						13	12	11	10		8	7				3		1		
SALEABLE	NOT APPLICABLE	34566-9783	0	B	ST GRY	72	71	70	69	68	67		65	64	63	62	61	60	59		57	56	55	54	53	
								50	49	48	47	46		44	43	42		40	39		36	35	34	33		
		73				32	31	30	29	28	27	26	25	24	23	22	21									
						16	15	14	13	12	11	10	9	8	7	6						3	2			
SALEABLE	NOT APPLICABLE	34822-0603	0	C	BLUE	64	63	62		60	59		57	56	55	54	53		51		49				66	
						48	47	46	45			42			39		37		35		33					
		65				32																19	18	17		
						16	15															3	2	1		
SALEABLE	NOT APPLICABLE	34822-0613	0	A	BLACK		63	62	61		59					54	53							66		
																38	37		35		33					
		65								31			28				24		22	21	20	19	18	17		
										15	14	13	12				8	7			4	3	2	1		
SALEABLE	NOT APPLICABLE	34566-9793	9	B	ST GRY	72	71		69	68	67		65	64	63		61			58	57	56	55	54	53	
						52	51	50	49	48	47			44	43		41			38	37	36				
		73											29	28		26	25	24	23	22		20				
						16						14	13	12		10	9	8	7	6	5	4				
SALEABLE	NOT APPLICABLE	34566-9813	9	A	BLACK	72	71	70			67	66	65	64	63	62	61		59					55	54	53
						52	51				47	46	45	44	43	42	41		39		37	36	35	34	33	
		73										30	29				25						18	17		
													13		11			8	7			4	3	1		
SALEABLE	NOT APPLICABLE	34822-0623	0	A	BLACK	64	63	62		60	59		57	56	55	54	53	52	51	50	49				66	
						48	47	46	45			42			39		37	36	35	34	33					
		65				32	31	30	29	28	27	26	25	24	23	22						19	18	17		
						16	15	14	13	12	11	10	9	8	7	6						3	2	1		
SALEABLE	NOT APPLICABLE	34566-9823	0	A	BLACK	72	71	70	69	68	67		65	64	63		61	60	59		57	56	55	54	53	
						52	51	50	49	48	47	46	45	44	43	42		40	39		36	35	34	33		
		73				32	31	30	29	28	27	26	25	24	23	22	21									
						16	15	14	13	12	11	10	9	8	7	6						3	2			
SALEABLE	NOT APPLICABLE	34822-0633	0	A	BLACK		63	62	61		59					54	53				49				66	
																38	37		35		33					
		65				32	31			28							24		22	21	20	19	18	17		
										15	14	13	12				8	7			4	3	2	1		
SALEABLE	NOT APPLICABLE	34822-0643	9	C	BLUE	64	63			60	59		57	56	55		53	52	51	50	49				66	
						48	47	46	45			42			39	38		36	35	34	33					
		65				32				30	29	28	27	26	25	24	23	22		20			18	17		
						16	15	14	13	12	11	10	9	8	7	6						3	2	1		



ABBREVIATION	DESCRIPTION	COLOR	MATERIAL
G-CAP-0-P	GROMMET CAP OPTION 0 PLUGGED	BLACK	SPS/PA, G.F 30%
G-CAP-0-O	GROMMET CAP OPTION 0 ALL OPEN	BLACK	SPS/PA, G.F 30%
G-CAP-9-P	GROMMET CAP OPTION 9 PLUGGED	BLACK	SPS/PA, G.F 30%
G-CAP-9-O	GROMMET CAP OPTION 9 ALL OPEN	BLACK	SPS/PA, G.F 30%
C-HSG-A0	CONNECTOR HOUSING KEY A - WDC OPT 0	BLACK	SPS/PA, G.F 30%
C-HSG-C0	CONNECTOR HOUSING KEY C - WDC OPT 0	BLACK	SPS/PA, G.F 30%
C-HSG-A9	CONNECTOR HOUSING KEY A - WDC OPT 9	BLACK	SPS/PA, G.F 30%
C-HSG-C9	CONNECTOR HOUSING KEY C - WDC OPT 9	BLACK	SPS/PA, G.F 30%
TPA-A0	TERMINAL POSITION ASSURANCE (TPA) OPTION 0	BLACK	SPS/PA, G.F 30%
TPA-C0	TERMINAL POSITION ASSURANCE (TPA) OPTION 0	BLUE	SPS/PA, G.F 30%
TPA-A9	TERMINAL POSITION ASSURANCE (TPA) OPTION 9	BLACK	SPS/PA, G.F 30%
TPA-C9	TERMINAL POSITION ASSURANCE (TPA) OPTION 9	BLUE	SPS/PA, G.F 30%
MAL	MATE ASSIST LEVER	BLACK	SPS/NYLON GF30
RS	SLIDE - RIGHT	BLACK	PBT W/PTFE, G.F. 30%
LS	SLIDE - LEFT	BLACK	PBT W/PTFE, G.F. 30%
CVR BLACK	DRESS COVER BLACK	BLACK	PBT, G.F. 30%
CVR GRAY	DRESS COVER GRAY	GRAY	PBT, G.F. 30%
CVR BLUE	DRESS COVER BLUE	BLUE	PBT, G.F. 30%
CVR BROWN	DRESS COVER BROWN	BROWN	PBT, G.F. 30%
CVR GREEN	DRESS COVER GREEN	GREEN	PBT, G.F. 30%
CVR NATURAL	DRESS COVER NATURAL	NATURAL	PBT, G.F. 30%
CVR YELLOW	DRESS COVER YELLOW	YELLOW	PBT, G.F. 30%
CPA	CONNECTOR POSITION ASSURANCE (CPA)	RED	PPE/PA 10% GF
MSEAL	MAT SEAL	RUST RED	INHERENTLY LUBRICATED SILICONE RUBBER
RSEAL	RING SEAL	RUST RED	INHERENTLY LUBRICATED SILICONE RUBBER

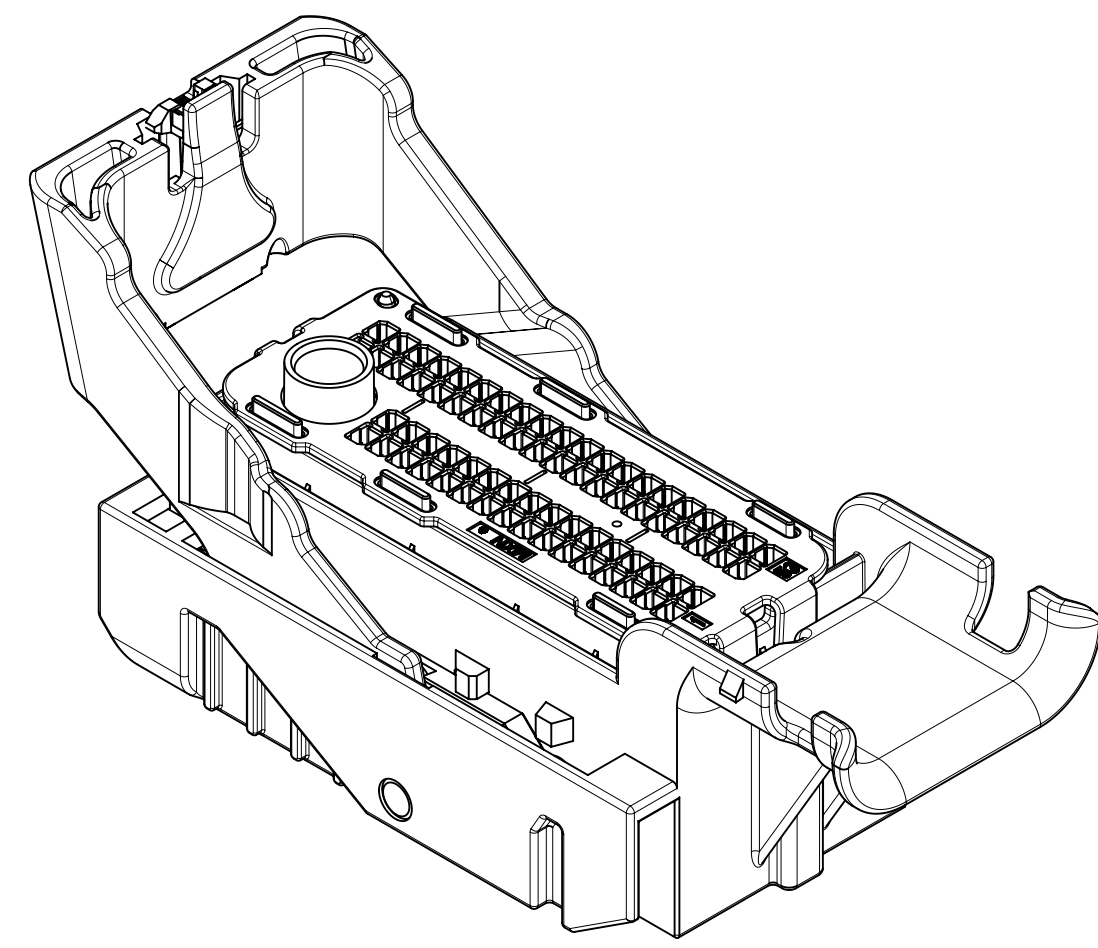
FOR ADDITIONAL INFORMATION SEE SD-34566-001

ASSEMBLY DESCRIPTION	ASSEMBLY PART NUMBER	CONNECTOR HOUSING	GROMMET CAP	TPA	RIGHT SLIDE	LEFT SLIDE	MATE ASSIST LEVER	CPA	MAT SEAL	RING SEAL	BLOCKED TERMINALS																STATUS	COMMENTS	INTEGRAL COMPONENTS				
											CAVITY WITH A NUMBER INDICATES BLOCKED TERMINAL POSITION																		DRESS COVER				
											CAVITY WITHOUT A NUMBER INDICATES OPEN TERMINAL POSITION																						
MX123 CONN ASSY 66 CKT BLK OPT0 KEY A/66	348220013	C-HSG-A0	G-CAP-0-P	TPA-A0	RS	LS	MAL	CPA	MSEAL	RSEAL	-	-	-	-	-	-	-	-	-	-	-	-	-	-	-	-	-	-	SALEABLE		345650003		
MX123 CONN ASSY 66 CKT BLK OPT9 KEY A/66	348220023	C-HSG-A9	G-CAP-9-P	TPA-A9	RS	LS	MAL	CPA	MSEAL	RSEAL	-	-	-	-	-	-	-	-	-	-	-	-	-	-	-	-	-	-	SALEABLE		345650003		
MX123 CONN ASSY 66 CKT BLU OPT0 KEY C/66	348220033	C-HSG-C0	G-CAP-0-P	TPA-C0	RS	LS	MAL	CPA	MSEAL	RSEAL	-	-	-	-	-	-	-	-	-	-	-	-	-	-	-	-	-	-	SALEABLE		345650003		
MX123 CONN ASSY 66 CKT BLU OPT9 KEY C/66	348220043	C-HSG-C9	G-CAP-9-P	TPA-C9	RS	LS	MAL	CPA	MSEAL	RSEAL	-	-	-	-	-	-	-	-	-	-	-	-	-	-	-	-	-	-	SALEABLE		345650003		
MX123 CONN ASSY 66 CKT BLK OPT0 KEY A/32	348220073	C-HSG-A0	G-CAP-0-P	TPA-A0	RS	LS	MAL	CPA	MSEAL	RSEAL	64	-	-	-	-	58	57	56	55	-	-	52	-	50	-	-	-	-	-	SALEABLE		345650003	
											48	-	46	45	44	43	42	41	40	39	-	-	36	-	34	-	-	-	-				
															32	31	30	29	-	27	26	-	24	23	-	-	-	-	-				
															16	-	-	-	12	11	10	9	-	-	6	5	4	-	-	-			
MX123 CONN ASSY 66 CKT BLK OPT9 KEY A/33	348220083	C-HSG-A9	G-CAP-9-P	TPA-A9	RS	LS	MAL	CPA	MSEAL	RSEAL	64	-	-	-	-	58	57	56	55	-	-	52	-	50	-	-	-	-	-	SALEABLE		345650003	
											48	-	46	45	44	43	42	41	40	-	-	36	-	34	-	-	-	-	-				
															32	31	30	29	-	27	26	-	24	23	-	-	-	-	-				
															16	-	-	-	12	11	10	9	-	-	6	5	4	-	-	-			
MX123 CONN ASSY 66 CKT BLK OPT9 KEY A/32	348220093	C-HSG-A9	G-CAP-9-P	TPA-A9	RS	LS	MAL	CPA	MSEAL	RSEAL	64	-	-	-	-	58	57	56	55	-	-	52	-	50	-	-	-	-	-	SALEABLE		345650003	
											48	-	46	45	44	43	42	41	40	39	-	-	36	-	34	-	-	-	-	-			
															32	31	30	29	-	27	26	-	24	23	-	-	-	-	-				
															16	-	-	-	12	11	10	9	-	-	6	5	4	-	-	-			

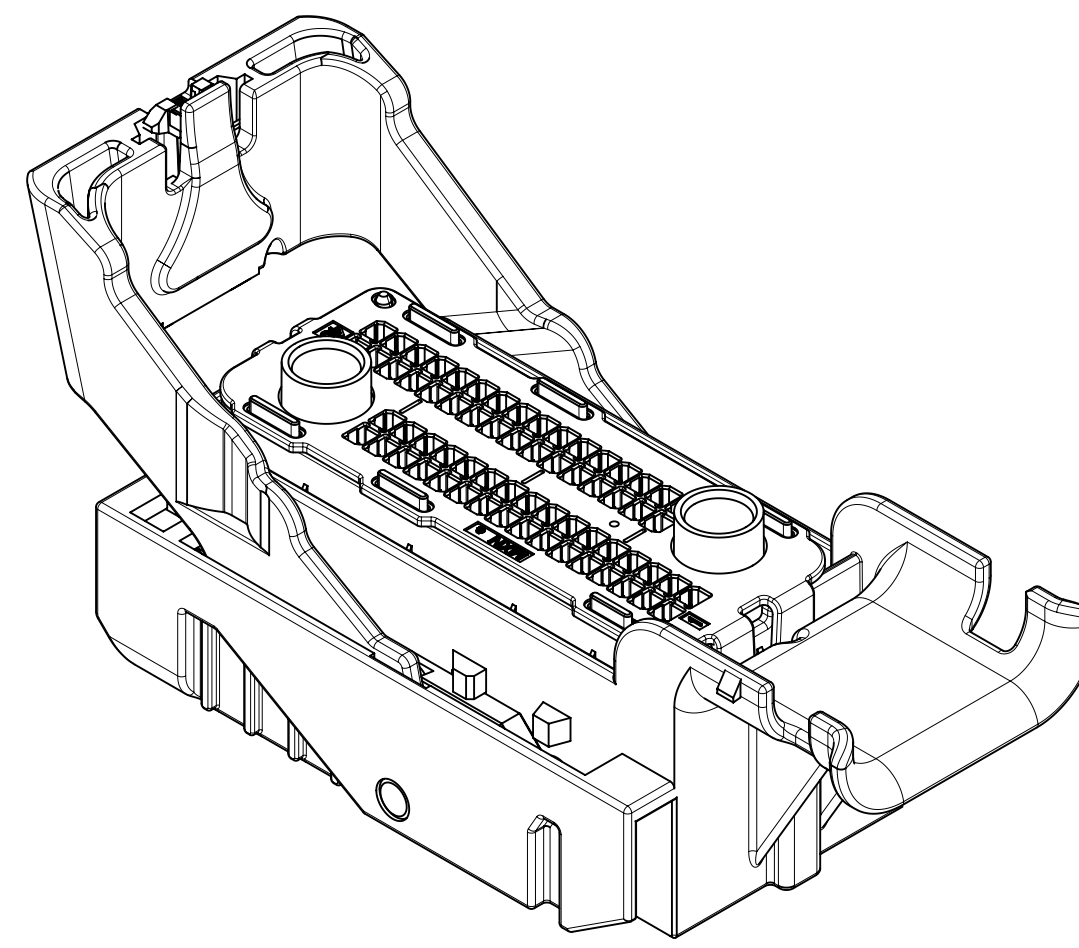
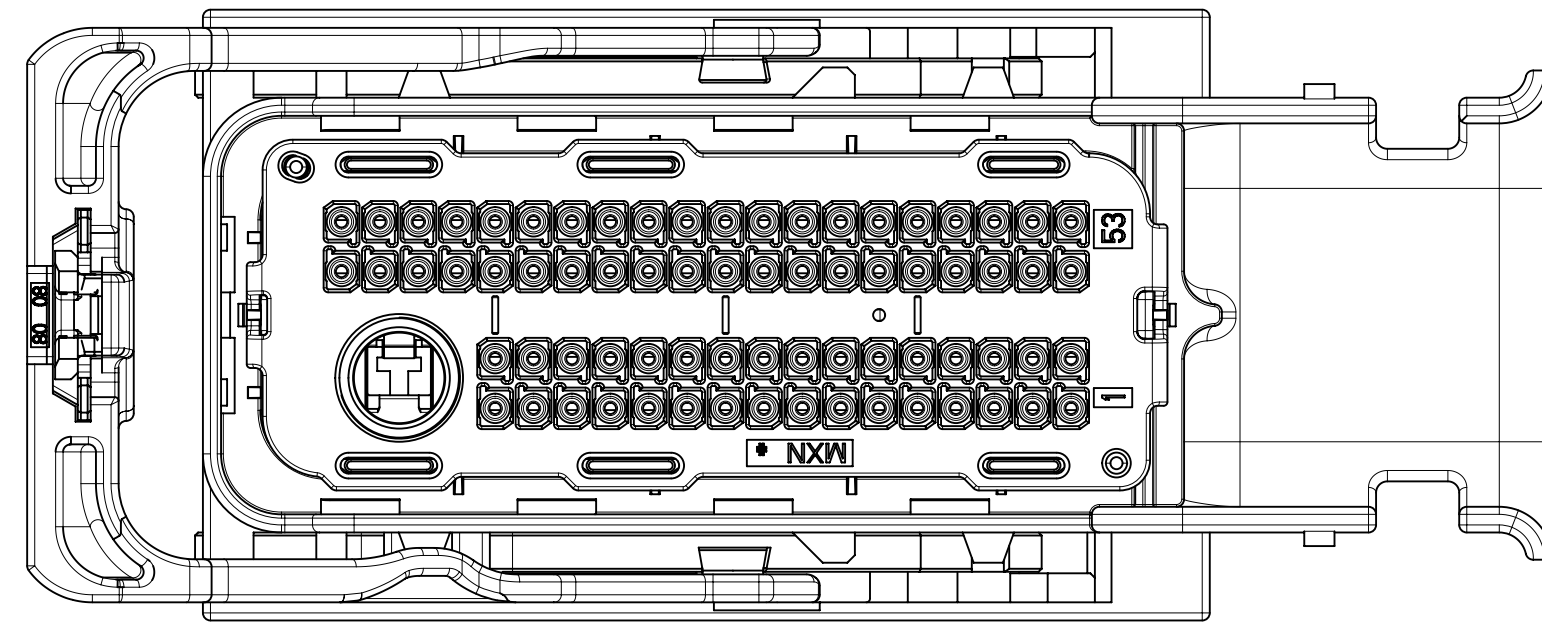
ASSEMBLY DESCRIPTION	ASSEMBLY PART NUMBER	CONNECTOR HOUSING	GROMMET CAP	TPA	RIGHT SLIDE	LEFT SLIDE	MATE ASSIST LEVER	CPA	MAT SEAL	RING SEAL	BLOCKED TERMINALS																STATUS	COMMENTS	INTEGRAL COMPONENTS SOLD SEPARATELY										
											CAVITY WITH A NUMBER INDICATES BLOCKED TERMINAL POSITION CAVITY WITHOUT A NUMBER INDICATES OPEN TERMINAL POSITION																												
											DRESS COVER																												
MX123 CONN ASSY 66 CKT BLK OPT0 KEY A/31	348220103	C-HSG-A0	G-CAP-0-P	TPA-A0	RS	LS	MAL	CPA	MSEAL	RSEAL	64	-	62	61	60	59	-	-	-	-	-	-	52	-	50	-	-	-	-										
											48	-	46	45	44	43	42	-	-	39	-	-	36	-	34	-	-	-	-	-	-	-	-	-	-	-			
											-	-	-	-	32	31	30	29	-	-	-	-	24	23	-	21	20	19	-	-	-	-	-	-	-	-			
MX123 CONN ASSY 66 CKT BLK OPT9 KEY A/15	348220113	C-HSG-A9	G-CAP-9-P	TPA-A9	RS	LS	MAL	CPA	MSEAL	RSEAL	64	63	62	-	-	-	-	57	-	-	54	53	52	-	50	-	-	-	-	-	-	-							
											48	47	46	45	44	43	-	41	40	39	38	37	36	35	34	33	-	-	-	-	-	-	-	-	-	-			
											-	-	-	-	32	31	30	29	28	27	26	25	24	23	22	21	20	19	18	-	-	-	-	-	-	-	-		
MX123 CONN ASSY 66 CKT BLU OPT9 KEY C/25	348220123	C-HSG-C9	G-CAP-9-P	TPA-C9	RS	LS	MAL	CPA	MSEAL	RSEAL	-	-	-	-	-	59	58	57	56	-	-	53	52	51	50	49	-	-	-	-	-	-	-						
											-	-	-	-	44	43	-	41	40	-	38	37	-	-	34	33	-	-	-	-	-	-	-	-	-	-	-		
											-	-	-	-	32	-	30	29	28	-	26	25	24	23	22	21	20	-	18	17	-	-	-	-	-	-	-	-	
MX123 CONN ASSY 66 CKT BLU OPT0 KEY C/25	348220133	C-HSG-C0	G-CAP-0-P	TPA-C0	RS	LS	MAL	CPA	MSEAL	RSEAL	-	-	-	-	-	59	58	57	56	-	-	53	52	51	50	49	-	-	-	-	-	-	-						
											-	-	-	-	44	43	-	41	40	-	38	37	-	-	34	33	-	-	-	-	-	-	-	-	-	-	-	-	
											-	-	-	-	32	-	30	29	28	-	26	25	24	23	22	21	20	-	18	17	-	-	-	-	-	-	-	-	-
MX123 CONN ASSY 66 CKT BLK OPT0 KEY A/17	348220143	C-HSG-A0	G-CAP-0-P	TPA-A0	RS	LS	MAL	CPA	MSEAL	RSEAL	64	63	62	-	-	-	-	57	-	-	54	53	52	-	50	-	-	-	-	-	-	-	-	-					
											48	47	46	45	44	43	-	41	40	39	38	37	36	35	34	33	-	-	-	-	-	-	-	-	-	-	-	-	
											-	-	-	-	32	-	31	30	29	28	27	26	25	24	23	22	21	20	19	18	-	-	-	-	-	-	-	-	-
MX123 CONN ASSY 66 CKT BLK OPT0 KEY A/28	348220163	C-HSG-A0	G-CAP-0-P	TPA-A0	RS	LS	MAL	CPA	MSEAL	RSEAL	-	-	62	61	60	59	58	57	56	55	-	-	52	-	50	-	-	-	-	-	-	-	-	-					
											48	47	46	45	44	43	42	41	40	39	-	-	36	-	34	-	-	-	-	-	-	-	-	-	-	-	-	-	
											-	-	-	-	32	31	30	29	-	27	26	25	24	-	22	-	-	-	-	-	-	-	-	-	-	-	-	-	-
MX123 CONN ASSY 66 CKT BLK OPT9 KEY A/36	348220173	C-HSG-A9	G-CAP-9-P	TPA-A9	RS	LS	MAL	CPA	MSEAL	RSEAL	-	63	62	61	60	59	-	-	-	-	-	53	-	51	-	49	-	-	-	-	-	-	-						
											-	47	-	-	-	-	-	-	-	39	38	37	-	35	-	33	-	-	-	-	-	-	-	-	-	-	-	-	-
											-	-	-	-	32	-	30	29	28	-	25	-	-	22	21	20	19	18	17	-	-	-	-	-	-	-	-	-	-
MX123 CONN ASSY 66 CKT BLK OPT0 KEY A/33	348220183	C-HSG-A0	G-CAP-0-P	TPA-A0	RS	LS	MAL	CPA	MSEAL	RSEAL	-	-	-	-	-	-	58	57	56	55	-	-	52	-	50	-	-	-	-	-	-	-	-	-	-				
											48	47	46	45	44	43	42	41	40	39	-	-	36	-	34	-	-	-	-	-	-	-	-	-	-	-	-	-	-
											-	-	-	-	32	31	30	29	28	27	26	25	-	-	-	-	-	-	-	-	-	-	-	-	-	-	-	-	-
MX123 CONN ASSY 66 CKT BLK OPT0 KEY A/29	348220193	C-HSG-A0	G-CAP-0-P	TPA-A0	RS	LS	MAL	CPA	MSEAL	RSEAL	-	-	62	61	60	59	58	57	56	55	-	-	52	-	50	-	-	-	-	-	-	-	-	-	-				
											48	47	46	45	44	43	42	41	40	39	-	-	36	-	34	-	-	-	-	-	-	-	-	-	-	-	-	-	-
											-	-	-	-	32	31	30	29	-	27	26	25	-	-	22	-	-	-	-	-	-	-	-	-	-	-	-	-	-
MX123 CONN ASSY 66 CKT BLK OPT0 KEY A/34	348220203	C-HSG-A0	G-CAP-0-P	TPA-A0	RS	LS	MAL	CPA	MSEAL	RSEAL	-	-	-	-	-	-	58	57	56	55	-	-	52	-	50	-	-	-	-	-	-	-	-	-	-				
											48	47	46	45	44	43	42	41	40	39	-	-	36	-	34	-	-	-	-	-	-	-	-	-	-	-	-	-	-
											-	-	-	-	32	-	30	29	-	27	26	25	-	-	-	-	-	-	-	-	-	-	-	-	-	-	-	-	-
MX123 CONN ASSY 66 CKT BLK OPT0 KEY A/34	348220213	C-HSG-A0	G-CAP-0-P	TPA-A0	RS	LS	MAL	CPA	MSEAL	RSEAL	-	-	-	-	-	-	58	57	56	55	-	-	52	-	50	-	-	-	-	-	-	-	-	-	-				
											48	47	46	45	44	43	42	41	40	39	-	-	36	-	34	-	-	-	-	-	-	-	-	-	-	-	-	-	-
											-	-	-	-	32	-	30	29	28	27	26	25	-	-	-	-	-	-	-	-	-	-	-	-	-	-	-	-	-
MX123 CONN ASSY 66 CKT BLK OPT0 KEY A/35	348220223	C-HSG-A0	G-CAP-0-P	TPA-A0	RS	LS	MAL	CPA	MSEAL	RSEAL	-	-	-	-	-	-	58	57	56	55	-	-	52	-	50	-	-	-	-	-	-	-	-	-	-				
											48	47	46	45	44	43	42	41	40	39	-	-	36	-	34	-	-	-	-	-	-	-	-	-	-	-	-	-	-
											-	-	-	-	32	-	30	29	-	27	26	25	-	-	-	-	-	-	-	-	-	-	-	-	-	-	-	-	-

MX123 SEALED RCPT ASSY (66 Ckt)
BOM & PIN OUT SHEET

ASSEMBLY DESCRIPTION	ASSEMBLY PART NUMBER	CONNECTOR HOUSING	GROMMET CAP	TPA	RIGHT SLIDE	LEFT SLIDE	MATE ASSIST LEVER	CPA	MAT SEAL	RING SEAL	BLOCKED TERMINALS																		STATUS	COMMENTS	INTEGRAL COMPONENTS SOLD SEPARATELY								
											CAVITY WITH A NUMBER INDICATES BLOCKED TERMINAL POSITION																				DRESS COVER								
											CAVITY WITHOUT A NUMBER INDICATES OPEN TERMINAL POSITION																												
MX123 CONN ASSY 66 CKT BLU OPT9 KEY C/13	348220363	C-HSG-C9	G-CAP-9-P	TPA-C9	RS	LS	MAL	CPA	MSEAL	RSEAL	64	63	62	-	60	59	-	57	56	55	54	53	52	51	50	49							SALEABLE		345650003				
											48	47	46	45	-	-	42	-	-	39	-	37	36	35	34	33													
															32	-	30	29	28	27	26	25	24	23	22	21	-	19	18	17									
															16	15	14	13	12	11	10	9	8	7	6	-	-	3	2	1									
MX123 CONN ASSY 66 CKT BLK OPT9 KEY A/34	348220373	C-HSG-A9	G-CAP-9-P	TPA-A9	RS	LS	MAL	CPA	MSEAL	RSEAL	-																		SALEABLE		345650003								
											-																												
											-																												
											-																												
MX123 CONN ASSY 66 CKT BLK OPT9 KEY A/34	348220383	C-HSG-A9	G-CAP-9-P	TPA-A9	RS	LS	MAL	CPA	MSEAL	RSEAL	-	-	-	-	-	59	58	-	56	55	54	53	-	-	50	-							SALEABLE		345650003				
											-	-	-	-	44	43	42	41	40	39	-	37	36	35	34	33													
															-	31	-	-	28	-	26	25	24	23	-	-	-	-	-	-									
															16	15	14	13	-	-	-	9	8	7	6	-	-	-	-	-									
MX123 CONN ASSY 66 CKT BLK OPT0 KEY A/34	348220393	C-HSG-A0	G-CAP-0-P	TPA-A0	RS	LS	MAL	CPA	MSEAL	RSEAL	-	-	-	-	-	59	58	-	56	55	54	53	-	-	50	-							SALEABLE		345650003				
											-	-	-	-	44	43	42	41	40	39	-	37	36	35	34	33													
															-	31	-	-	28	-	26	25	24	23	-	-	-	-	-	-									
															16	15	14	13	-	-	-	9	8	7	6	-	-	-	-	-									
MX123 CONN ASSY 66 CKT BLK OPT9 KEY A/30	348220403	C-HSG-A9	G-CAP-9-P	TPA-A9	RS	LS	MAL	CPA	MSEAL	RSEAL	-	-	62	61	60	59	58	57	56	55	-	-	52	-	50	-							SALEABLE		345650003				
											48	47	46	45	44	43	42	41	40	39	-	-	36	-	34	-													
															32	-	30	29	-	27	26	25	24	23	-	21	-	-	-	-									
															16	-	-	-	-	-	10	9	-	-	6	5	-	-	-	-									
MX123 CONN ASSY 66 CKT BLK OPT0 KEY A/28	348220413	C-HSG-A0	G-CAP-0-P	TPA-A0	RS	LS	MAL	CPA	MSEAL	RSEAL	-	-	62	61	60	59	58	57	56	55	-	-	52	-	50	-							SALEABLE		345650003				
											48	47	46	45	44	43	42	41	40	39	-	-	36	-	34	-													
															32	31	30	29	-	27	26	25	24	23	-	21	-	-	-	-									
															16	-	-	-	-	11	10	9	-	-	6	5	-	-	-	-									
MX123 CONN ASSY 66 CKT BLK OPT9 KEY A/34	348220423	C-HSG-A9	G-CAP-9-P	TPA-A9	RS	LS	MAL	CPA	MSEAL	RSEAL	64	63	62	61	60	-	-	-	-	55	-	-	52	51	-	49							SALEABLE		345650003				
											48	47	46	45	-	-	-	-	-	-	38	-	-	-	-	-													
															32	-	30	29	-	27	-	-	-	-	22	21	20	19	18	17									
															-	-	-	-	12	11	10	-	-	-	-	5	4	3	2	1									
MX123 CONN ASSY 66 CKT BLK OPT0 KEY A/56	348220433	C-HSG-A0	G-CAP-0-P	TPA-A0	RS	LS	MAL	CPA	MSEAL	RSEAL	-	-	-	61	-	-	58	-	-	-	-	-	-	-	-	-							SALEABLE		345650003				
											-	-	-	-	44	43	-	41	40	-	38	-	-	-	-	-													
															-	31	-	-	-	-	-	-	-	-	-	-	-	-	-										
															-	-	-	-	-	-	-	-	-	-	5	4	-	-	-										
MX123 CONN ASSY 66 CKT BLK OPT0 KEY A/57	348220443	C-HSG-A0	G-CAP-0-P	TPA-A0	RS	LS	MAL	CPA	MSEAL	RSEAL	-	-	-	61	-	-	58	-	-	-	-	-	-	-	-							SALEABLE		345650003					
											-	-	-	-	44	43	-	41	40	-	38	-	-	-	-	-													
															-	-	-	-	-	-	-	-	-	-	-	-	-	-	-										
															-	-	-	-	-	-	-	-	-	-	5	4	-	-	-										
MX123 CONN ASSY 66 CKT BLK OPT0 KEY A/34	348220453	C-HSG-A0	G-CAP-0-P	TPA-A0	RS	LS	MAL	CPA	MSEAL	RSEAL	64	63	62	61	60	-	-	-	-	55	-	-	52	51	-	49							SALEABLE		345650003				
											48	47	46	45	-	-	-	-	-	-	38	-	-	-	-	-													
															32	-	30	29	-	27	-	-	-	-	22	21	20	19	18	17									
															-	-	-	-	12	11	10	-	-	-	-	5	4	3	2	1									
MX123 CONN ASSY 66 CKT BLK OPT0 KEY A/57	348220463	C-HSG-A0	G-CAP-0-P	TPA-A0	RS	LS	MAL	CPA	MSEAL	RSEAL	-	-	-	61	-	-	58	-	-	-	-	-	-	-	-							SALEABLE		345650003					
											-	-	-	-	44	-	-	41	40	-	38	-	-	-	-	-													
															-	31	-	-	-	-	-	-	-	-	-	-	-	-	-										
															-	-	-	-	-	-	-	-	-	-	5	4	-	-	-										
MX123 CONN ASSY 66 CKT BLU OPT9 KEY C/33	348220473	C-HSG-C9	G-CAP-9-P	TPA-C9	RS	LS	MAL	CPA	MSEAL	RSEAL	-	-	-	61	-	-	58	-	-	-	-	52	-	50	-							SALEABLE		345650003					
											-	-	-	-	44	43	-	41	40	-	38	-	36	-	34	-													
															-	31	30	29	28	27	26	25	24	23	22	-	20	-	-	-									
															-	-	14	13	12	11	10	9	8	7	6	5	4	-	-	-									



73 CKT
SCALE 3:2



66 CKT
SCALE 3:2

NOTES: UNLESS OTHERWISE SPECIFIED

1. MATERIAL:

- A. RESIN: SEE COMPONENT DRAWINGS
- B. COLOR: SEE TABLE

2. DESIGN - GENERAL:

A. THIS IS A 100% CAD GENERATED PART. THE CAD MATHEMATICAL DATA IS THE MASTER FOR THIS PART. FOR DIMENSIONAL OR ANY INFORMATION NOT SHOWN ON THIS DRAWING, ANALYZE THE CAD MODEL.

- B. TOLERANCES:
 - a. LINEAR X.X ± 0.30
 - X.XX ± 0.10
 - X.XXX ± 0.10
 - b. ANGULAR X° ± 3.0°

C. CORNERS SHOWN AS SHARP TO BE R 0.2 MAX.
D. FOLLOWING PRODUCTION CODES TO BE PERMANENTLY MARKED & HUMAN READABLE TO A LETTER HEIGHT < 3mm.

LINE #1: MATERIAL #:XXXX-XXXX
LINE #2: DATE CODE: JJY (JULIAN DAY, LAST DIGIT OF YEAR)
LINE #3: INSPECTION MACHINE CODE + SERIAL #: X_XXXX

- E-1. PARTS MUST BE FREE OF DISCOLORATION, SALT RESIDUE AND OTHER IMPERFECTIONS THAT AFFECT FIT OR FUNCTION.
- E-2. SCRATCHES OR DENTS NOT TO EXCEED 0.13mm IN DEPTH.
- F. CHANGES IN DESIGN FROM PART PREVIOUSLY APPROVED REQUIRES PRIOR ENGINEERING APPROVAL. THIS INCLUDES BUT IS NOT LIMITED TO DRAFT, MATERIAL OR PROCESSING.
- G. SHALL CONFORM TO THE FOLLOWING PACKAGING SPECIFICATION : PK-31300-019

3. DESIGN - MANUFACTURING:

- A. DRAFT TO BE WITHIN TOLERANCE.
- B. ALLOWABLE FLASH 0.2 MAX HIGH X 0.13 MAX THICK.
- C. ALLOWABLE PARTING LINE MISMATCH 0.2 MAX.
- D. EJECTOR PINS MARK TO BE FLUSH TO 0.25 MAX DEPRESSED.
- E. ALLOWABLE GATE VESTIGE TO BE FLUSH TO 0.25 MAX PROTRUSION.

4. SYSTEM REQUIREMENTS:

WHEN TESTED TO SAE/USCAR-2 REV: 3, APRIL 2001, AND GMW #3191, AUGUST 22, 2000 (DRAFT).

A. TPA (WITHOUT TERMINALS)

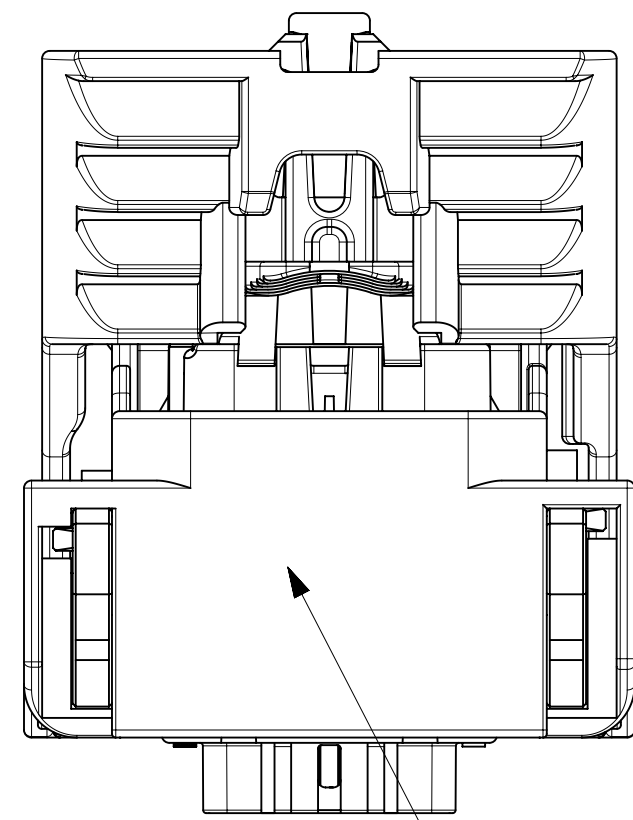
- a. INSERTION FORCE FROM PRE-SET TO LOCK: ≥20N
- b. REMOVAL FORCE FROM PRE-SET: ≥20N

B. CPA

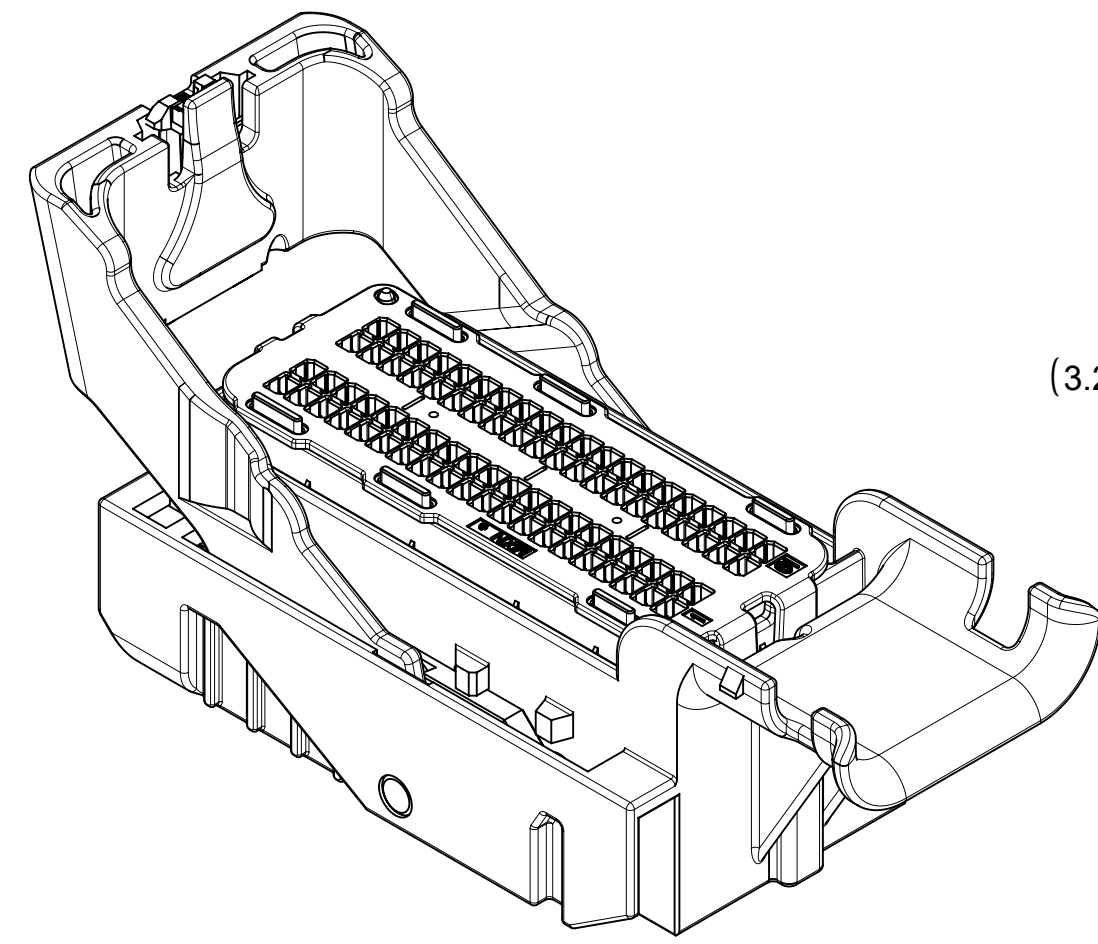
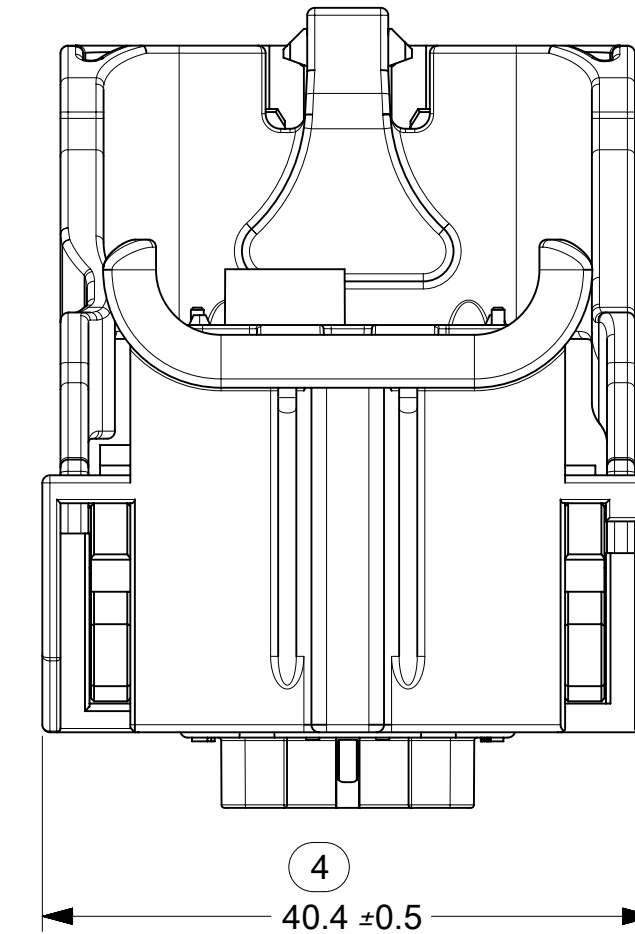
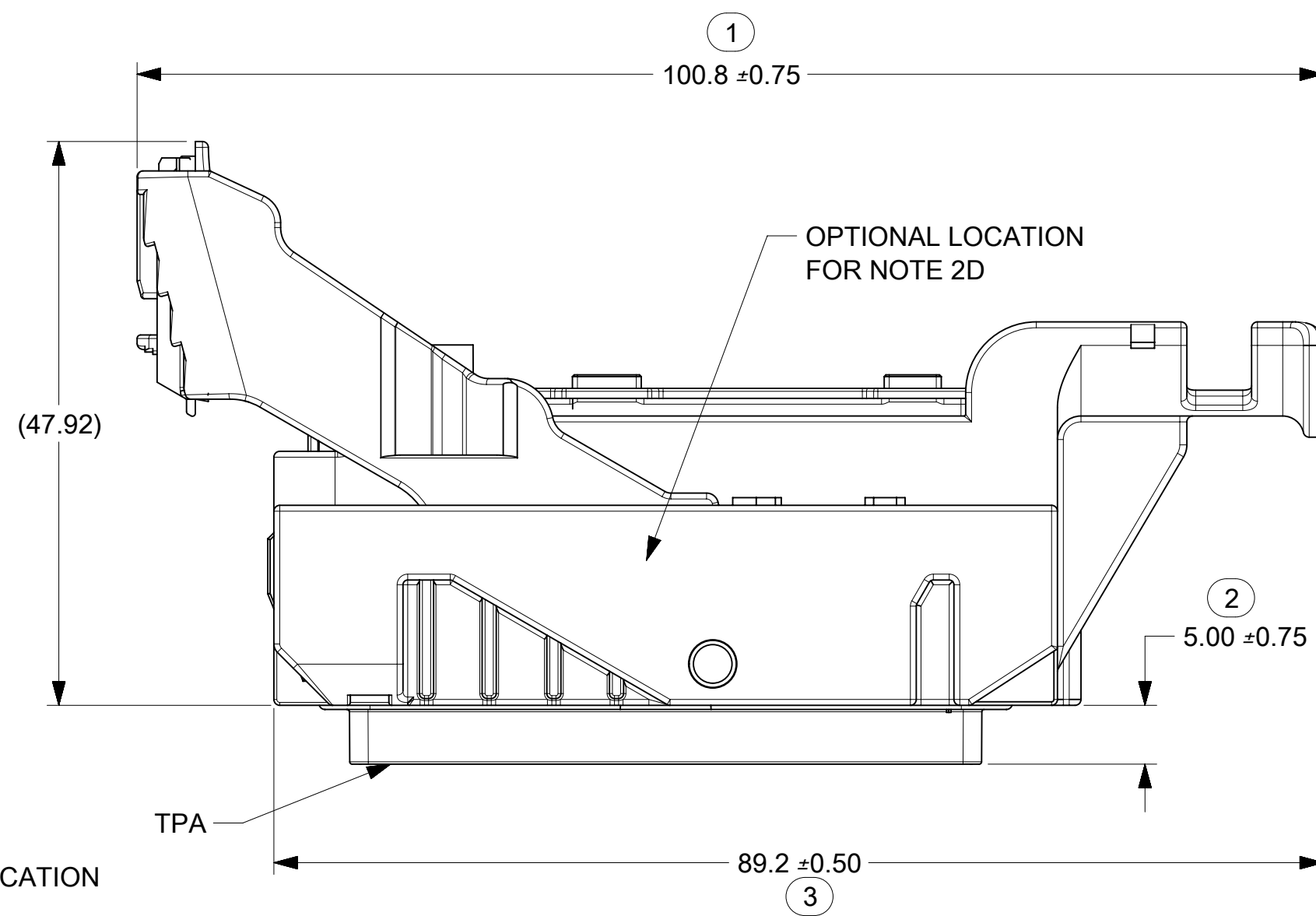
- a. INSERTION FORCE FROM PRE-SET TO LOCK WITH CONNECTOR UN-MATED: ≥60N
- b. REMOVAL FORCE FROM PRE-SET: ≥30N

C. GROMMET CAP

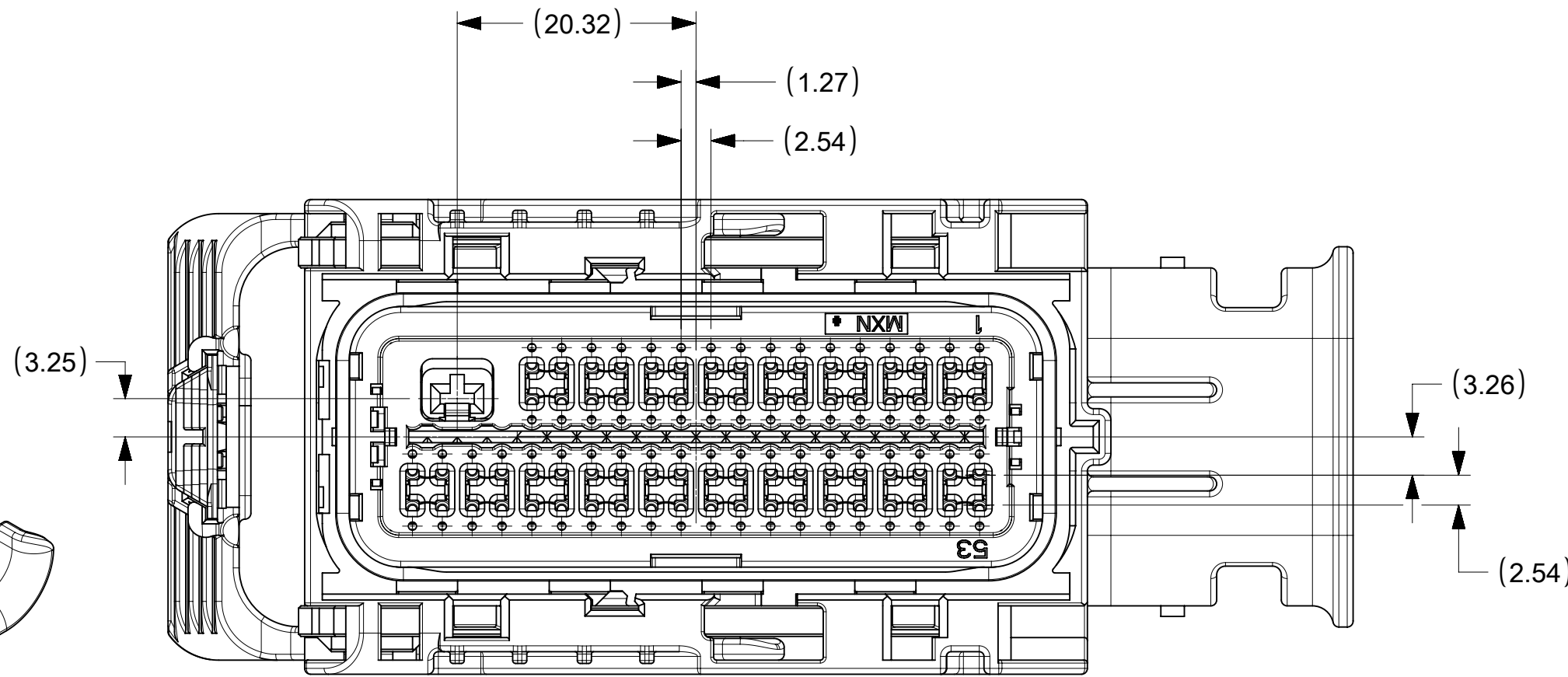
- a. REMOVAL FORCE FROM HOUSING WITH ENGAGED LATCHES: ≥110N
- D. MATE ASSIST LEVER
- a. INADVERTENT ACTUATION FORCE DURING SHIPPING, HANDLING OR PRE-ASSEMBLY: ≥190N



RECOMMENDED LOCATION FOR NOTE 2D



80 CKT
SCALE 3:2



G63	CHANGE DIMENSION 47.92 AND 89.2±0.50 POSITION; CHANGE > TO ≥ IN NOTES 4; TAKE OFF MODEL NUMBERS IN SHEET 2-4
G62	UPDATE ALL VIEWS IN SHEET 1, SHEET 2 AND SHEET 3
G61	BOM MIGRATE TO 345660001-SD.pdf
G60	ADD NEW PIN CONFIGURATION 34822-0253 thru 34822-0293 , 34566-8773 thru 34566-8983, 34576-7663 thru 34576-7723
G59	UPDATED HARNESS ASSY PART# DESCRIPTIONS
G58	ADD NEW PIN CONFIGURATION 34566-8743 34566-8753 34566-8763 34822-0243
G56	TO RESOLVE ISSUES WITH VIEWS ON SHEETS 1, 2, 3 AND 4
G55	ADDED HARNESS CONNECTOR ASSEMBLY PART NUMBERS
G54	ADDED KNOCKOUT PATTERNS
G53	UPDATED DRAWING TO INCLUDE ISO WIRE AND AWG WIRE HRNS CONN ASSEMBLY PART NUMBERS
G52	ADD NEW PIN CONFIGURATION 34566-8613 34566-8623
G51	ADD NEW PIN CONFIGURATION 34566-8563 34566-8573 34566-8583 34566-8593 34822-0183 34822-0193 34822-0203 34822-0213
G50	ADD NEW PIN CONFIGURATION 34566-8543 34566-8553
G49	ADD NEW PIN CONFIGURATION 34566-8443 34566-8453 34566-8463 34566-8473 34566-8483 34566-8493 34566-8513 34566-8523 34566-8533
G48	ADD NEW PIN CONFIGURATION 34566-8393 34566-8413 34566-8423 34566-8433
G47	SHEETS SEQUENCE ARE CORRECTED
G46	ADD NEW PIN CONFIGURATION 34566-8223 34566-8233 34566-8243 34566-8253 34566-8263 34566-8273 34566-8283 34566-8293 34566-8313 34566-8323 34566-8333 34566-8343 34566-8353 34566-8363 34566-8373 34566-8383
G45	NX RE-MASTERING
G44	ADD NEW PIN CONFIGURATION 34566-8173
G43	ADD NEW PIN CONFIGURATION 34566-8163 34566-2493 SAME AS P/N 34566-3863
REV	DESCRIPTION

SYMBOLS		THIS DRAWING CONTAINS INFORMATION THAT IS PROPRIETARY TO MOLEX ELECTRONIC TECHNOLOGIES, LLC AND SHOULD NOT BE USED WITHOUT WRITTEN PERMISSION			
▽ = 0	DIMENSION UNITS	SCALE	CURRENT REV DESC:		
▽ = 0	MM	2:1			
▽ = 0	GENERAL TOLERANCES (UNLESS SPECIFIED)				
▽ = 0	ANGULAR TOL	± °	EC NO: 605052		
▽ = 0	4 PLACES	±	DRWN: HKLIANG	2018/09/27	
▽ = 0	3 PLACES	±	CHK'D: JDENG02	2018/10/10	
▽ = 0	2 PLACES	±	APPR: JDENG02	2018/10/10	
▽ = 0	1 PLACE	±	INITIAL REVISION:		
▽ = 0	0 PLACES	±	DRWN: TYE	2016/05/06	
■ = 0	DRAFT WHERE APPLICABLE MUST REMAIN WITHIN DIMENSIONS	THIRD ANGLE PROJECTION	APPR: SKRAJENDRANA	2016/08/22	
▽ = 0		DRAWING	SERIES		
		D-SIZE	34566		
DOCUMENT STATUS		P1	RELEASE DATE	2018/10/10	03:26:09
DOCUMENT NUMBER		DOC TYPE	DOC PART	REVISION	
SD-34566-001		PSD	000	G63	
MATERIAL NUMBER		CUSTOMER	SHEET NUMBER		
SEE TABLE		GENERAL MARKET	1 OF 8		

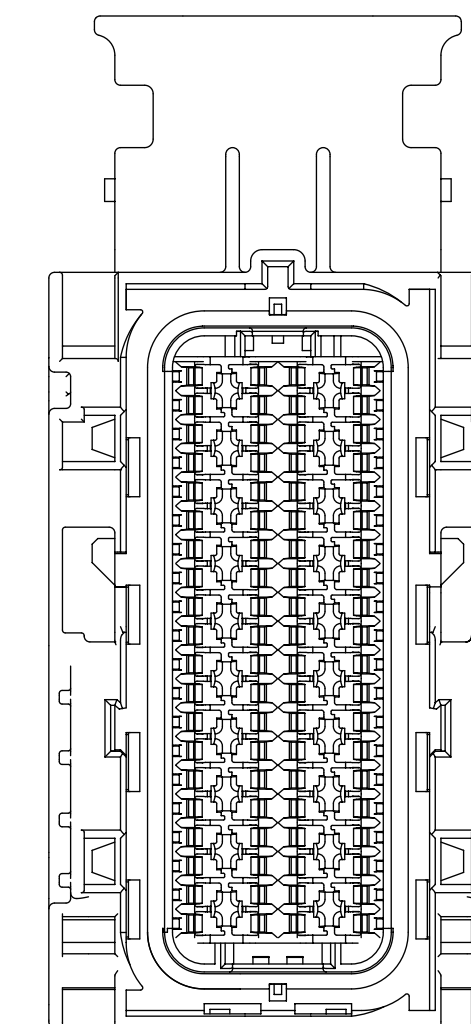
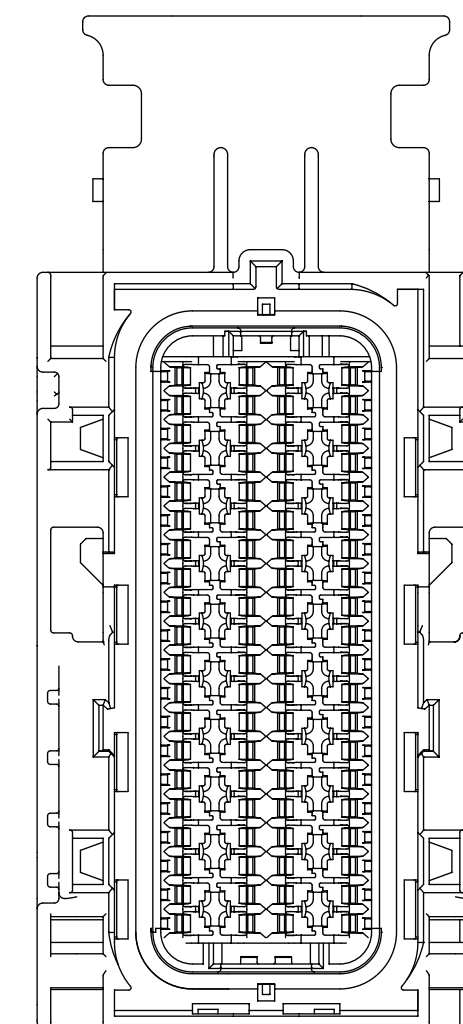
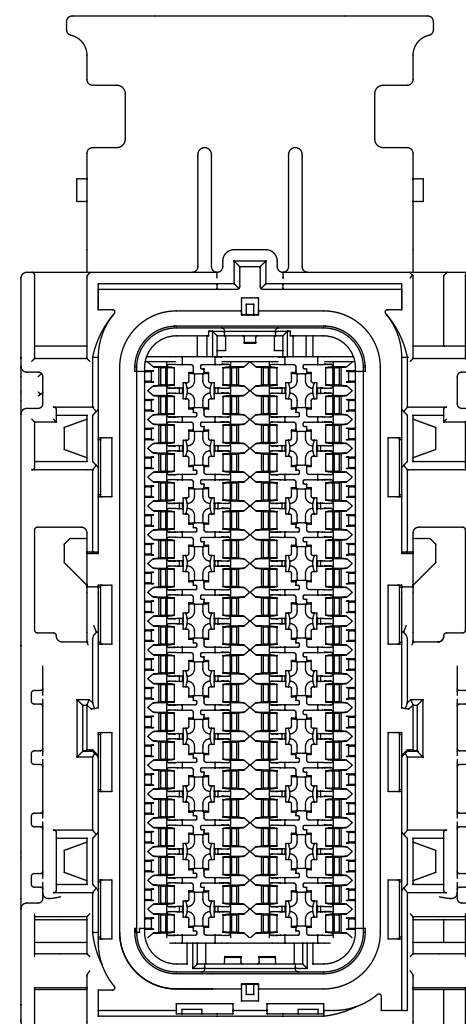
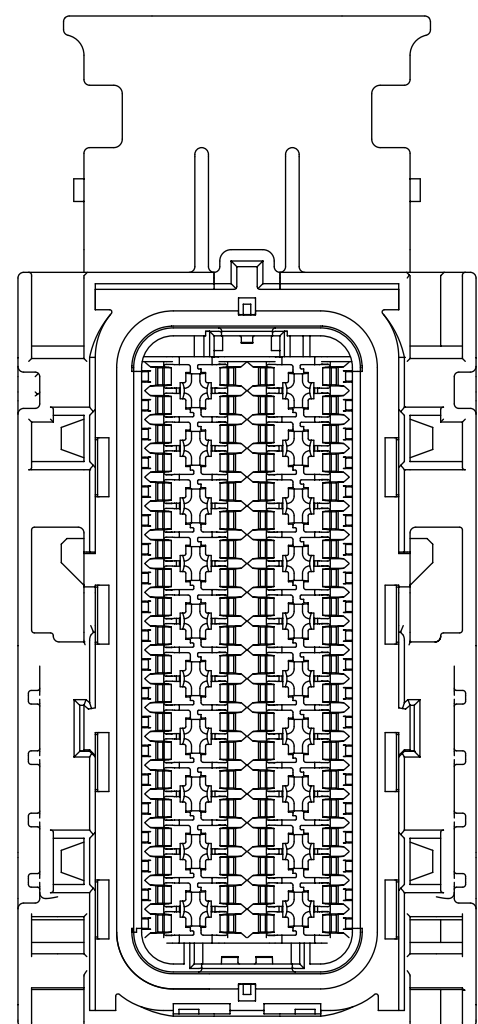
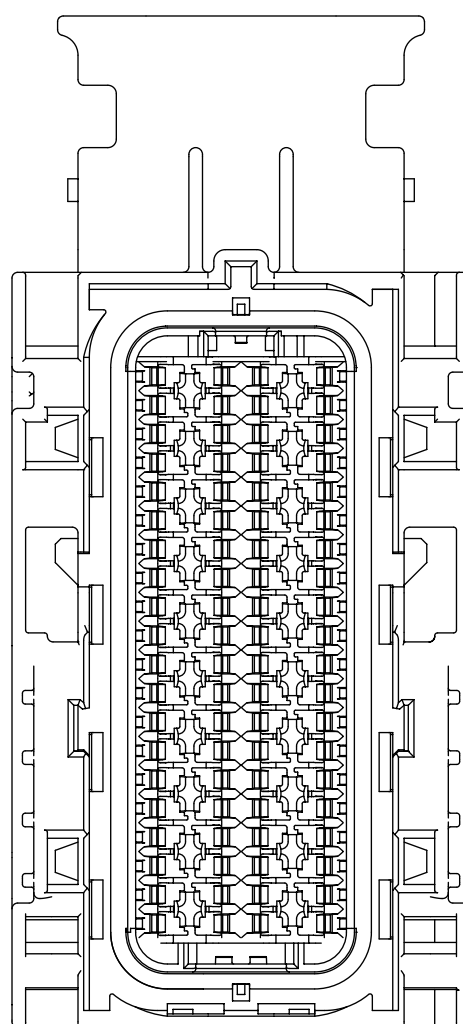
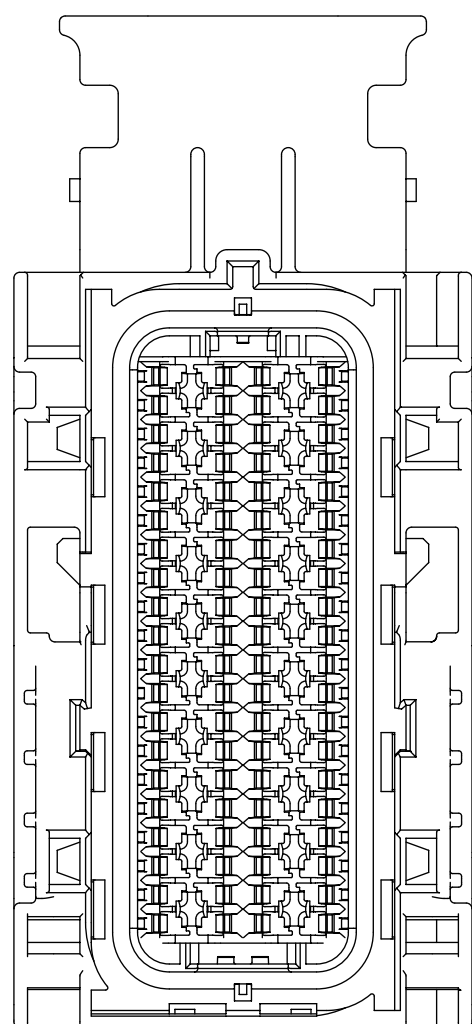
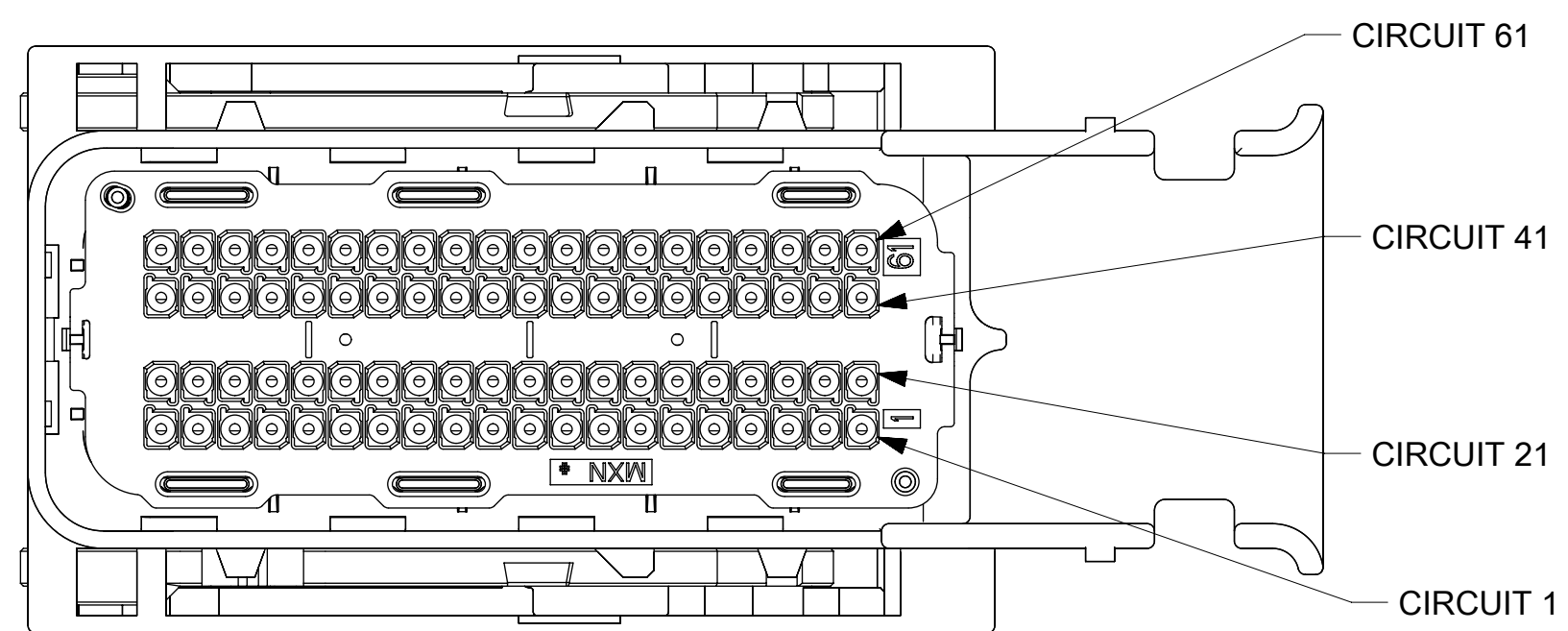


MX123
66/73/80CKT HRNS CONN ASSY

PRODUCT CUSTOMER DRAWING

HOUSING ONLY, SHOWN FOR CLARITY

80 CKT WIRE DRESS OPTION 0



KEY G

KEY H

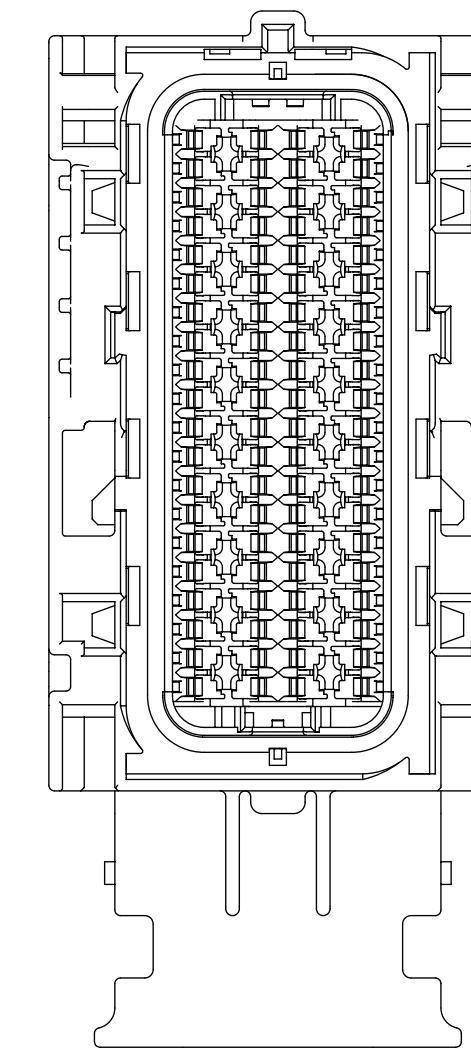
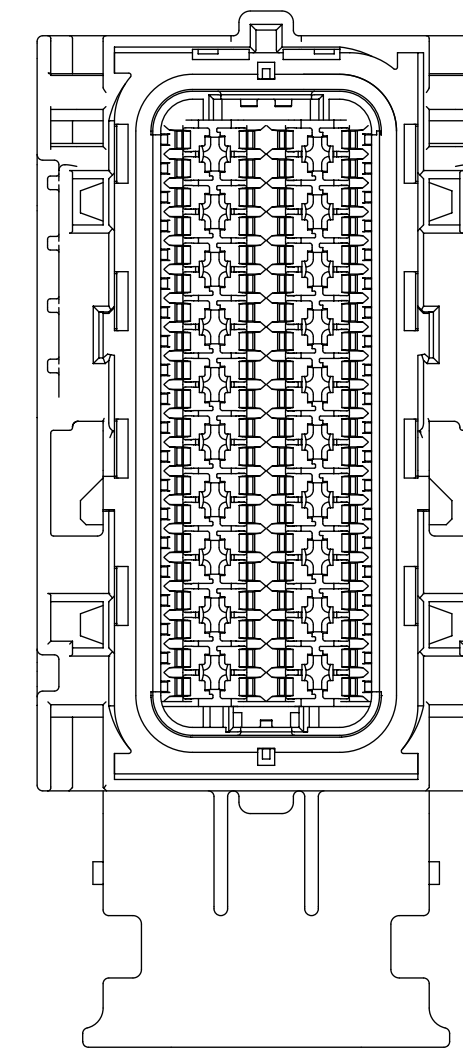
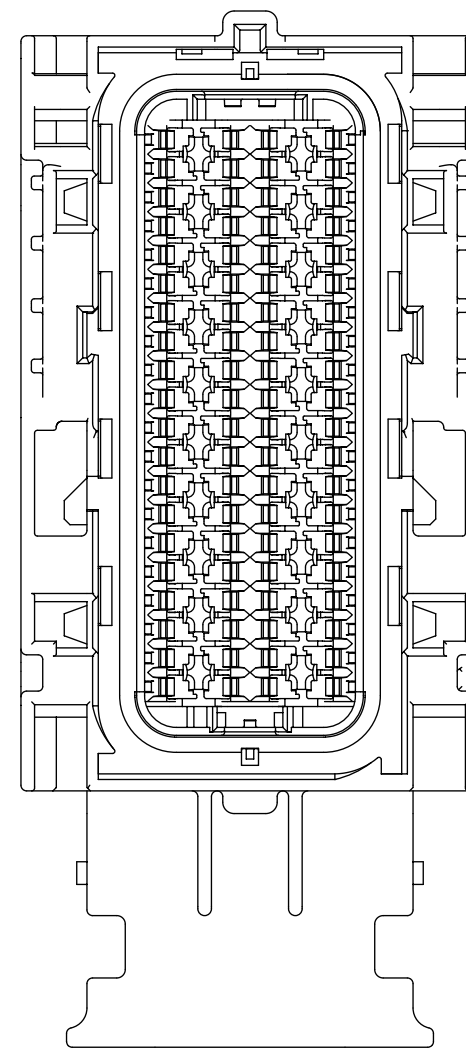
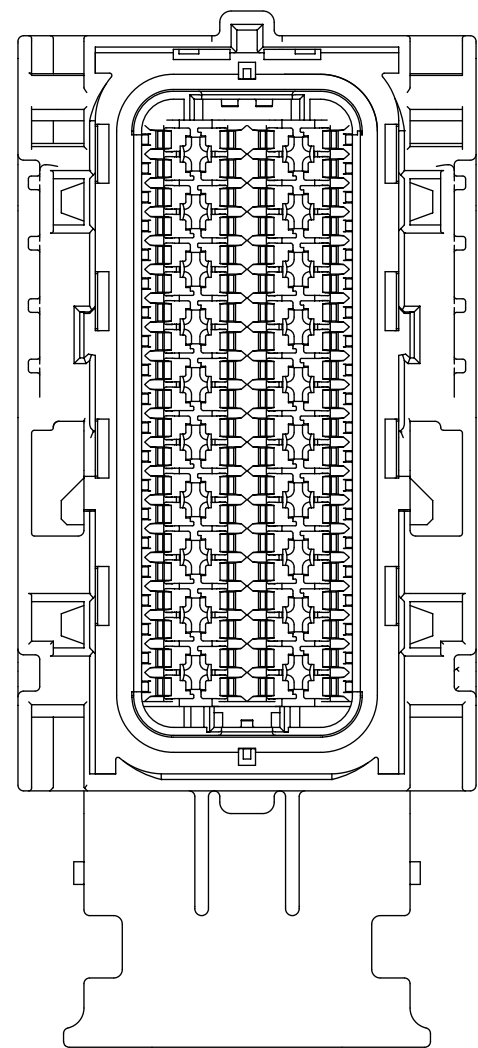
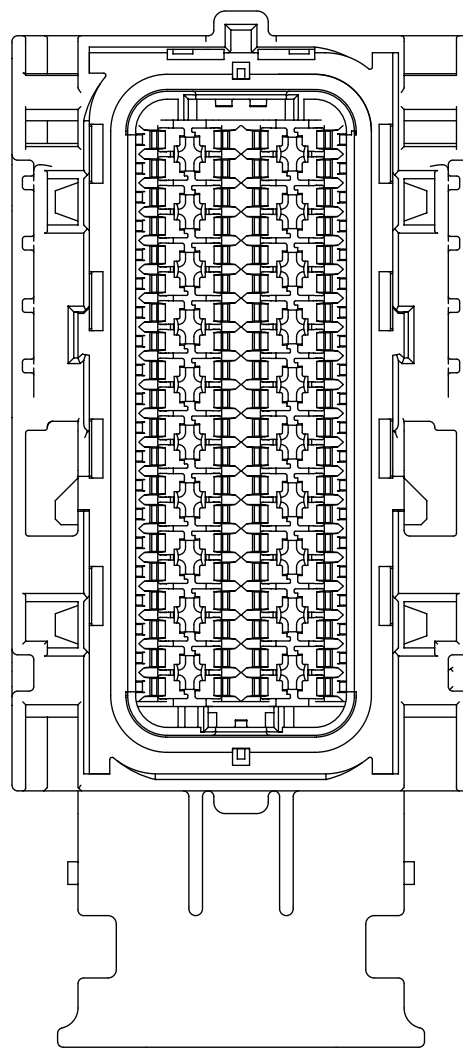
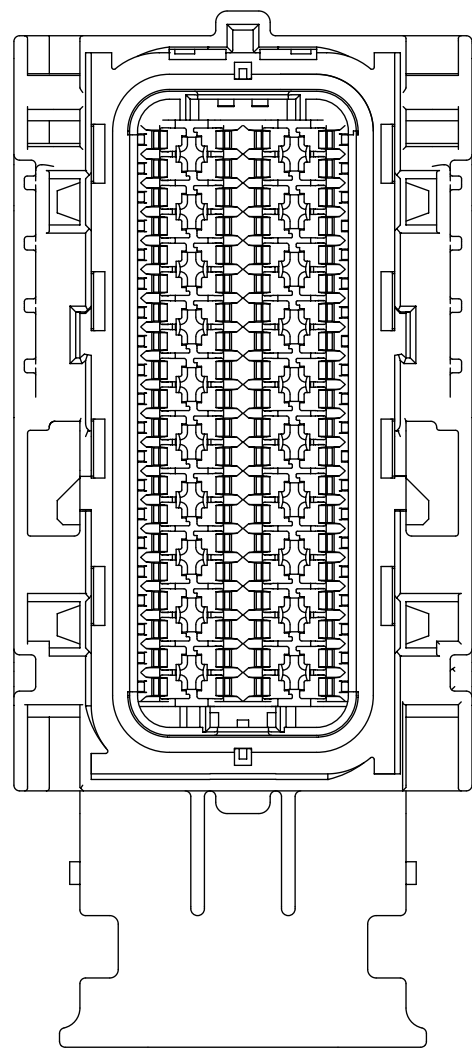
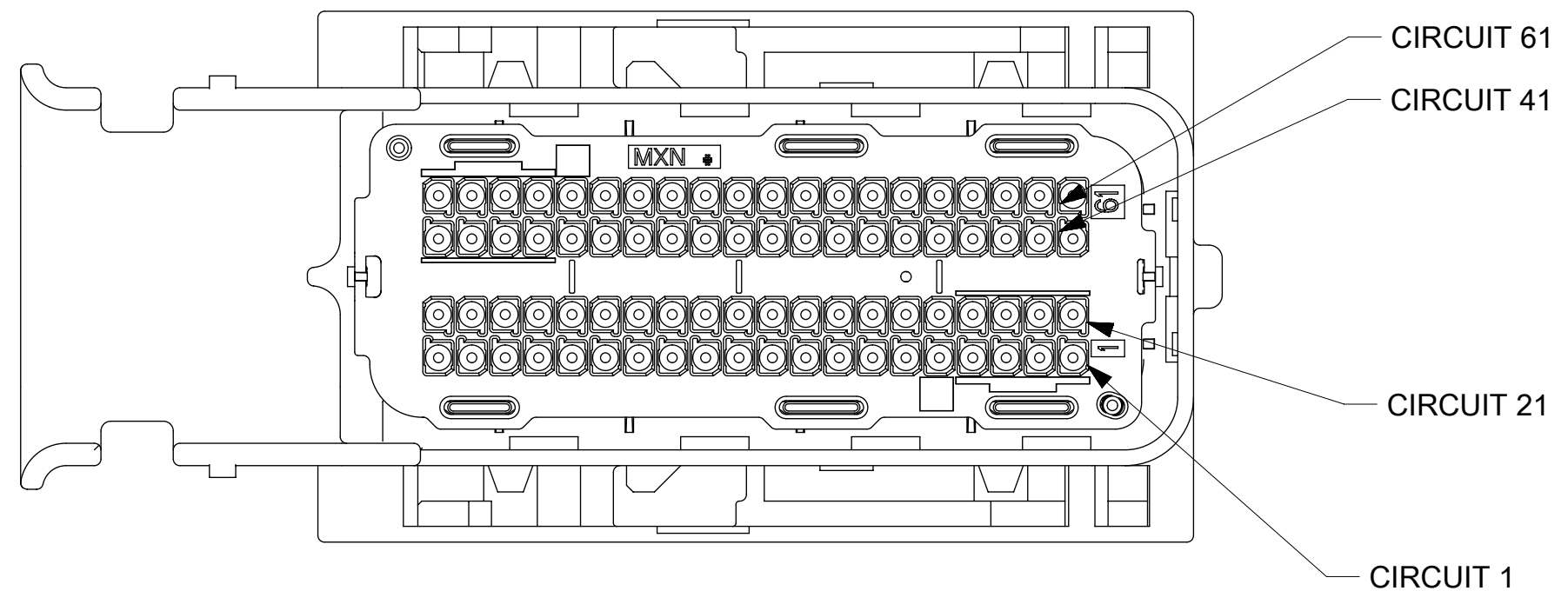
KEY J

KEY K

KEY L

KEY M

WIRE DRESS OPTION 9



KEY G

KEY H

KEY J

KEY K

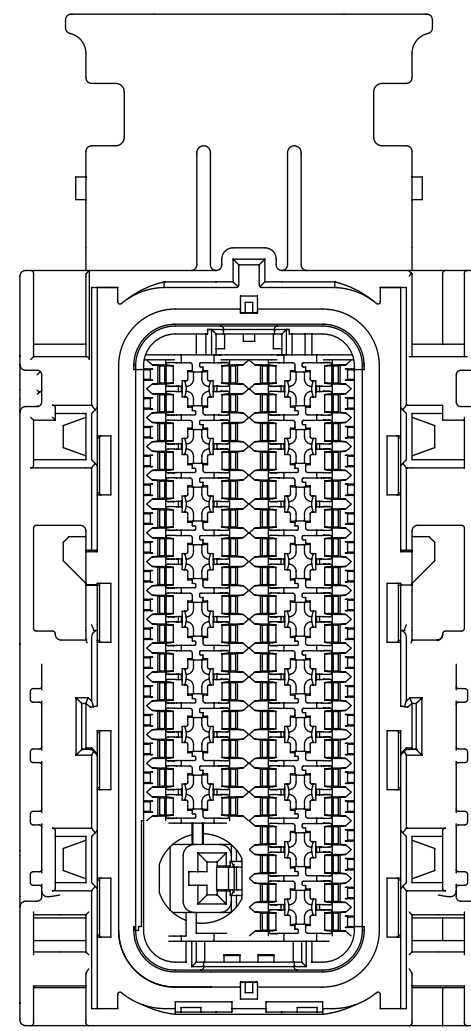
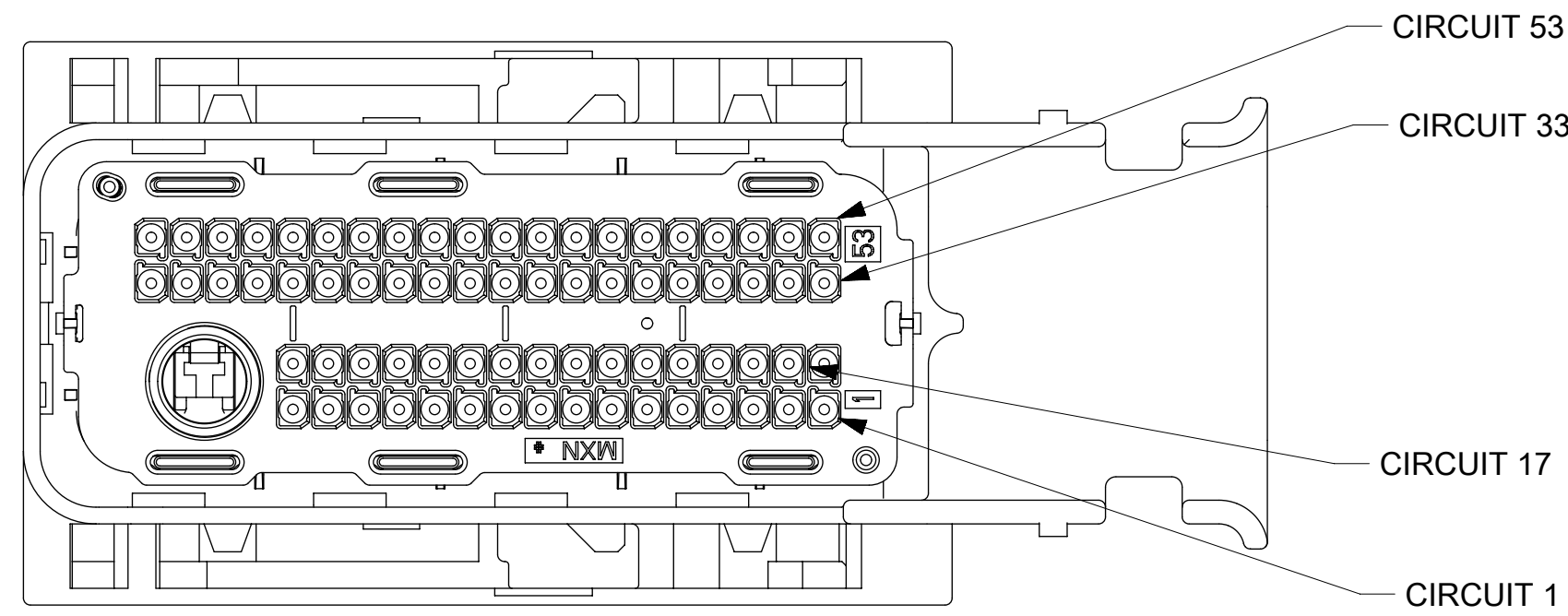
KEY L

KEY M

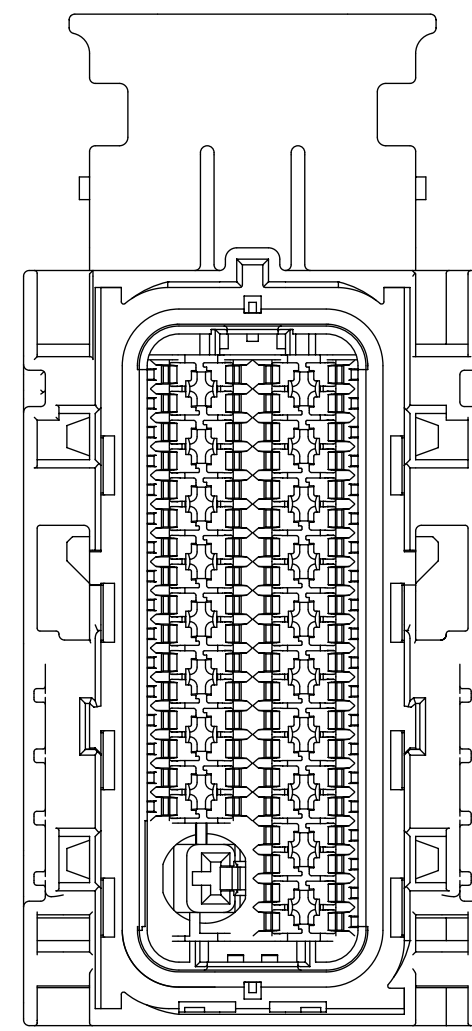
SYMBOLS	THIS DRAWING CONTAINS INFORMATION THAT IS PROPRIETARY TO MOLEX ELECTRONIC TECHNOLOGIES, LLC AND SHOULD NOT BE USED WITHOUT WRITTEN PERMISSION					CURRENT REV DESC:	
	DIMENSION UNITS	SCALE					
▽ = 0	MM					EC NO: 605052	
▽ = 0	GENERAL TOLERANCES (UNLESS SPECIFIED)					DRWN: HKLIANG 2018/09/27	
▽ = 0	ANGULAR TOL	±	°			CHK'D: JDENG02 2018/10/10	
▽ = 0	4 PLACES	±				APPR: JDENG02 2018/10/10	
▽ = 0	3 PLACES	±				INITIAL REVISION:	
▽ = 0	2 PLACES	±				DRWN: TYE 2016/05/06	
▽ = 0	1 PLACE	±				APPR: SKRAJENDRANA 2016/08/22	
▽ = 0	0 PLACES	±					
▣ = 0	DRAFT WHERE APPLICABLE MUST REMAIN WITHIN DIMENSIONS		THIRD ANGLE PROJECTION		DRAWING SERIES		
▽ = 0					D-SIZE	34566	
DOCUMENT STATUS			MATERIAL NUMBER		CUSTOMER		
P1	RELEASE DATE	2018/10/10	SD-34566-001		GENERAL MARKET		
03:26:09			PSD 000 G63		SHEET NUMBER		
						2 OF 8	

73 CKT
WIRE DRESS OPTION 0

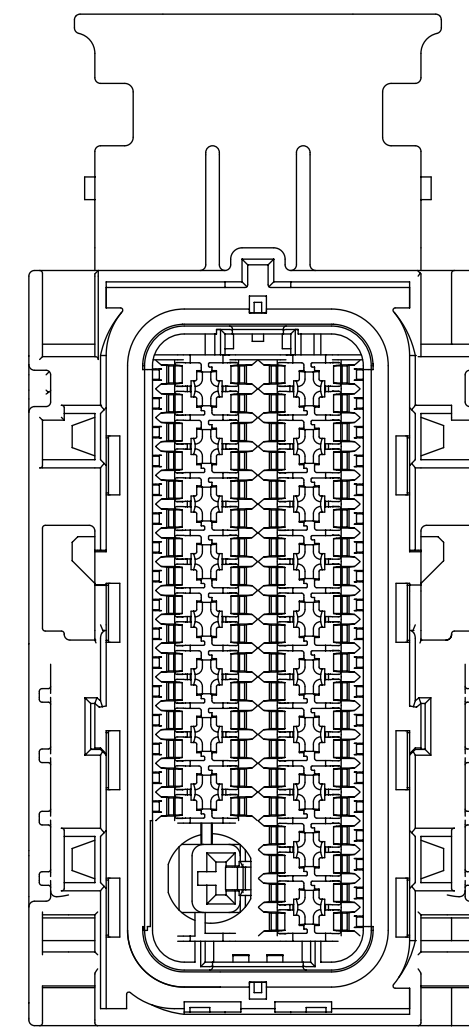
HOUSING ONLY, SHOWN FOR CLARITY



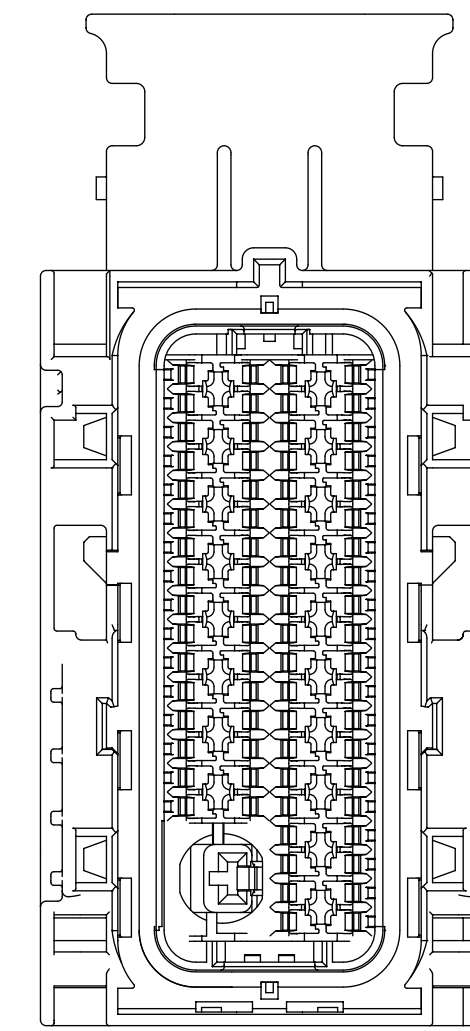
KEY A



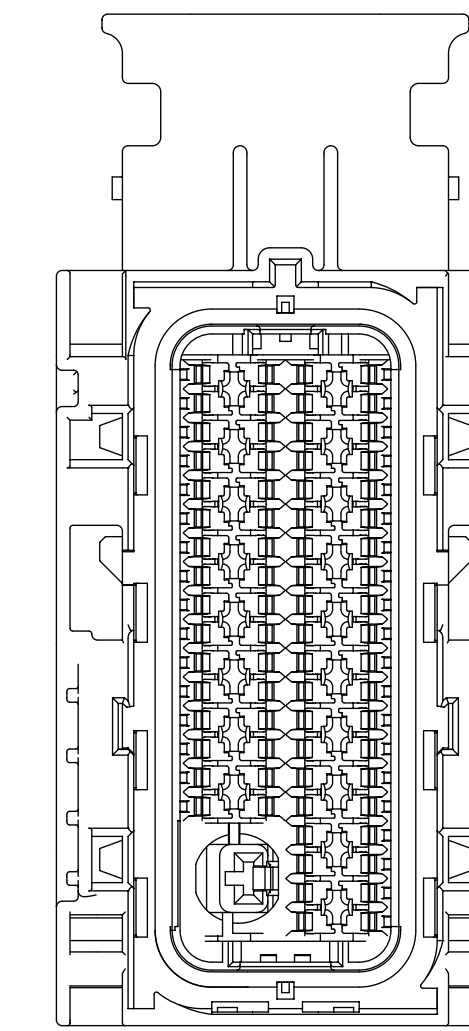
KEY B



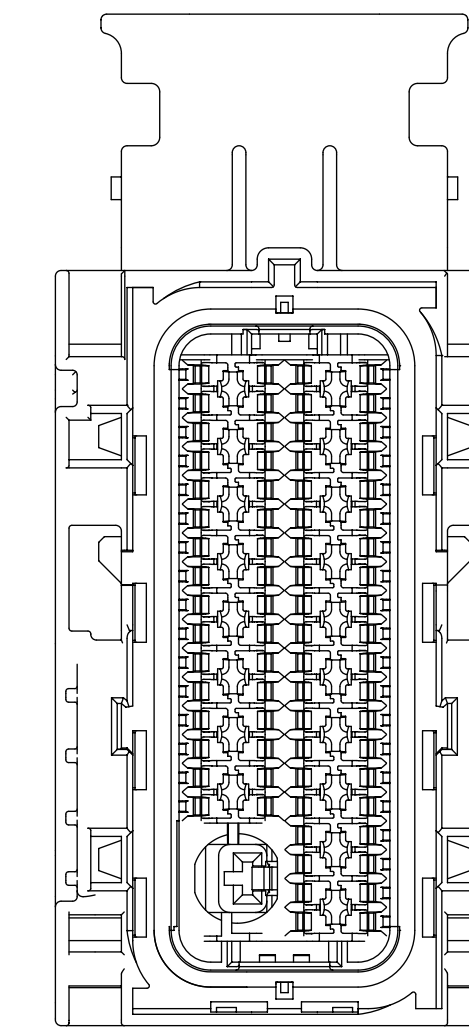
KEY C



KEY D

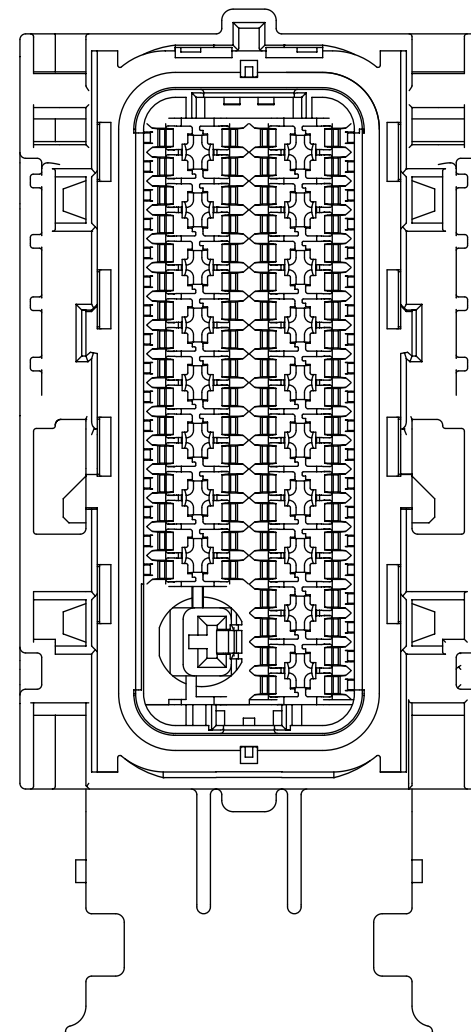
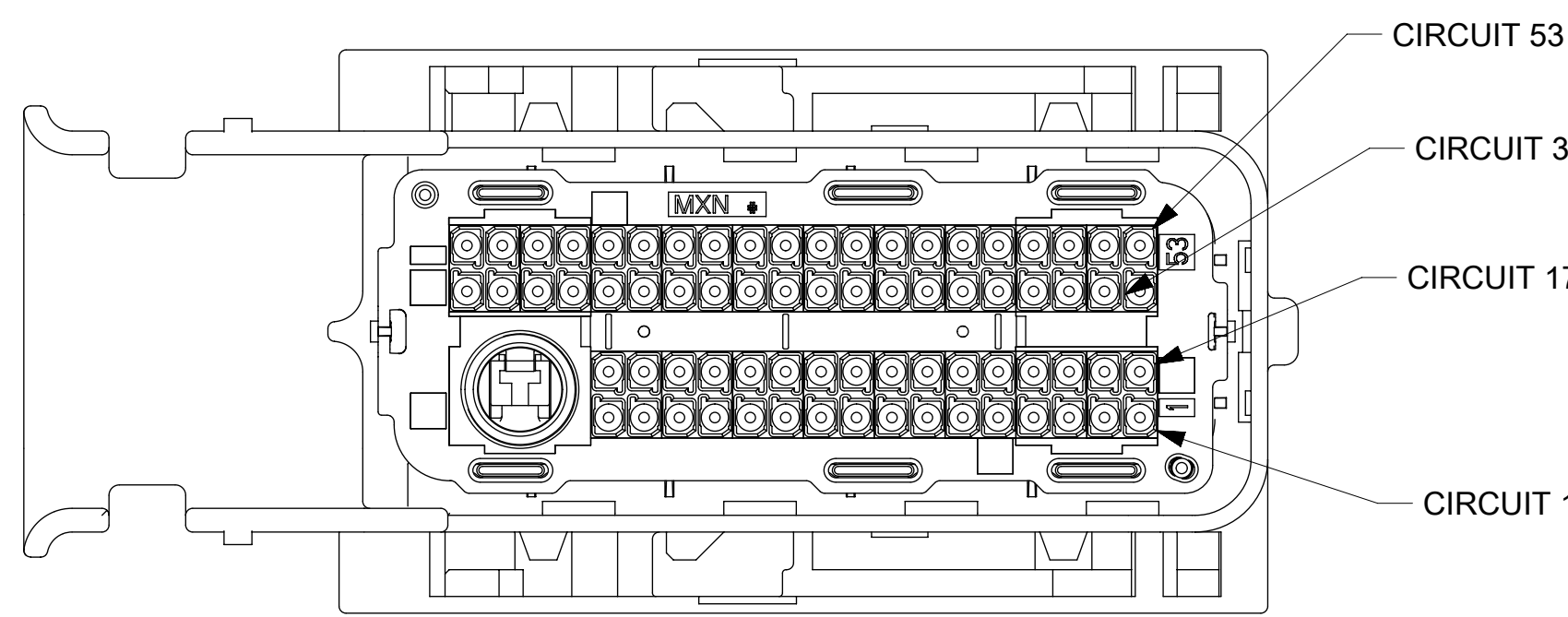


KEY E

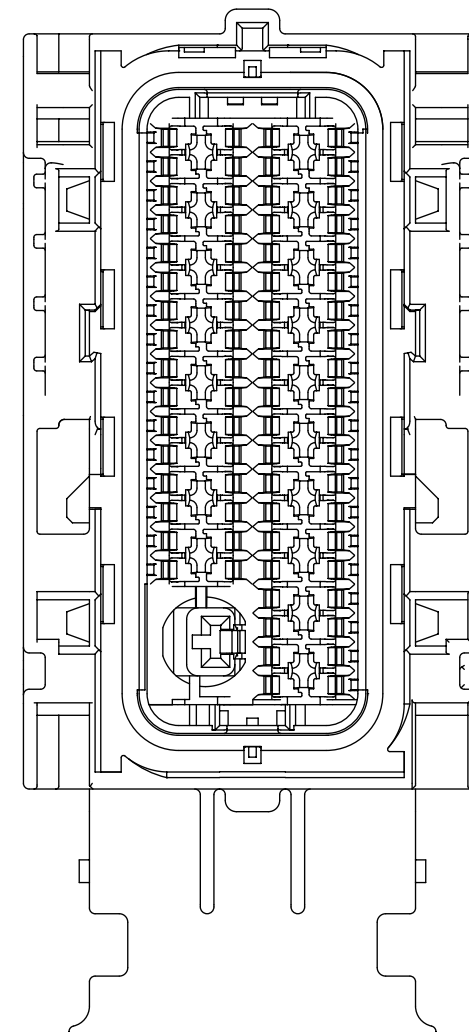


KEY F

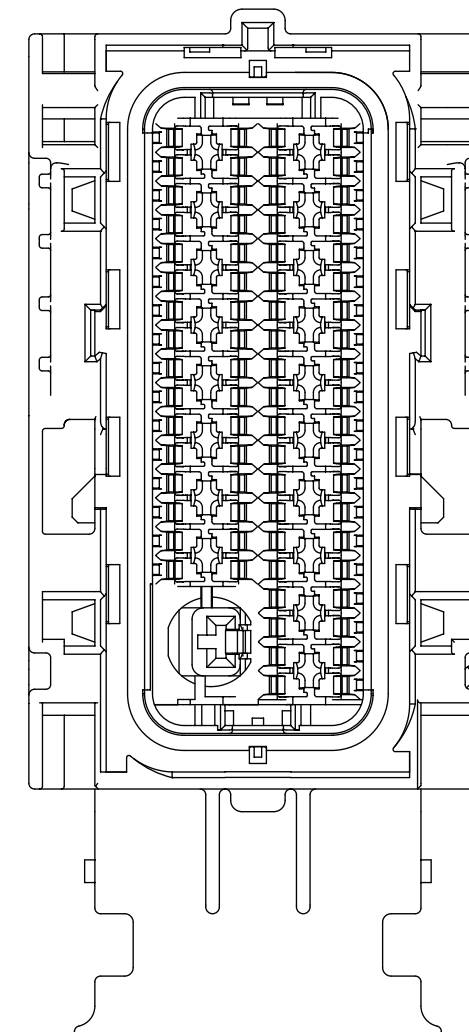
WIRE DRESS OPTION 9



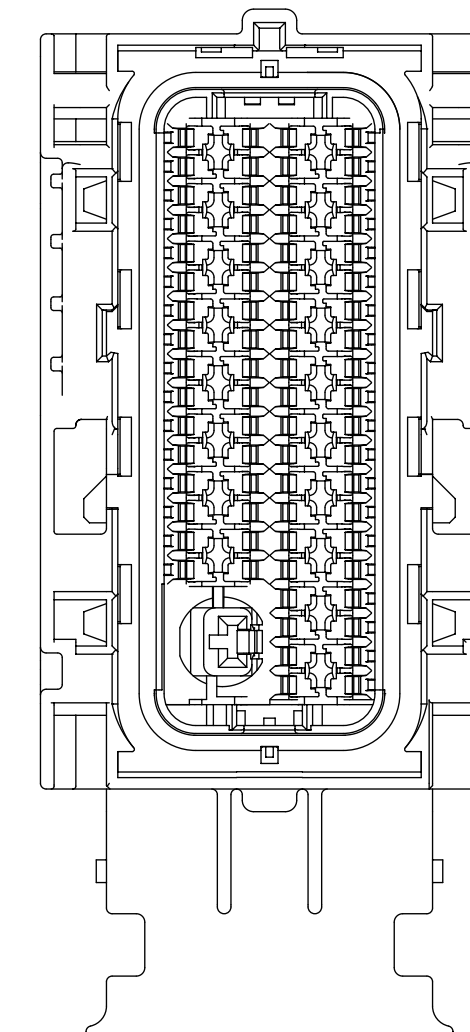
KEY A



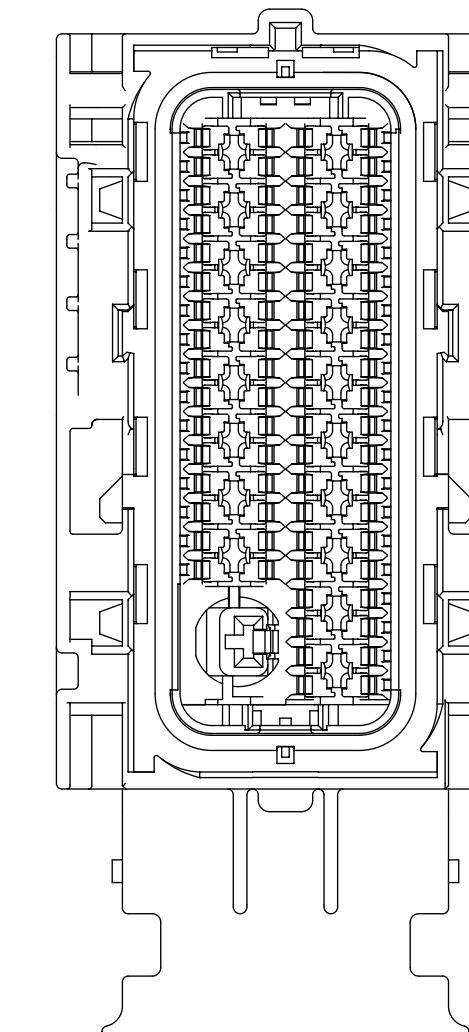
KEY B



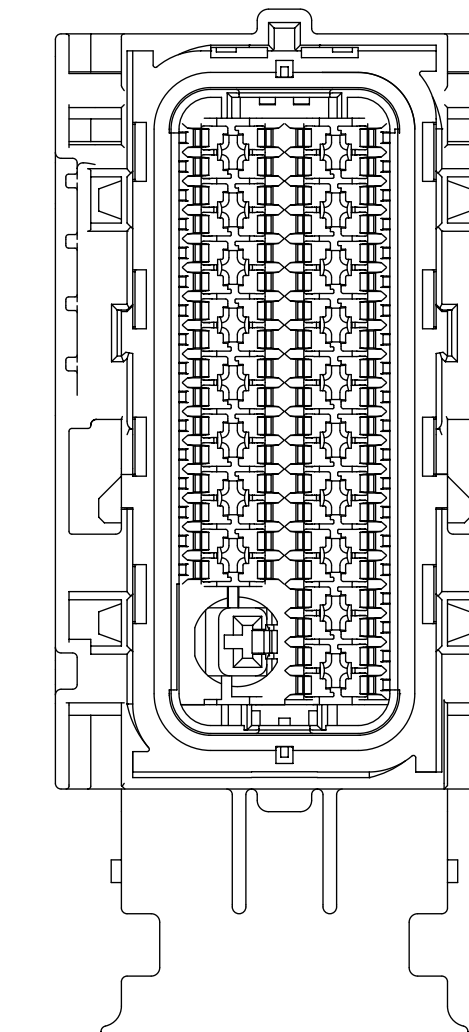
KEY C



KEY D



KEY E



KEY F

SYMBOLS	THIS DRAWING CONTAINS INFORMATION THAT IS PROPRIETARY TO MOLEX ELECTRONIC TECHNOLOGIES, LLC AND SHOULD NOT BE USED WITHOUT WRITTEN PERMISSION		
	DIMENSION UNITS	SCALE	CURRENT REV DESC:
▽ = 0	MM		EC NO: 605052 DRWN: HKLIANG 2018/09/27 CHK'D: JDENG02 2018/10/10 APPR: JDENG02 2018/10/10 INITIAL REVISION: DRWN: TYE 2016/05/06 APPR: SKRAJENDRANA 2016/08/22
▽ = 0	GENERAL TOLERANCES (UNLESS SPECIFIED)		
▽ = 0	ANGULAR TOL	± °	
▽ = 0	4 PLACES	±	
▽ = 0	3 PLACES	±	
▽ = 0	2 PLACES	±	
▽ = 0	1 PLACE	±	
▽ = 0	0 PLACES	±	
■ = 0	DRAFT WHERE APPLICABLE MUST REMAIN WITHIN DIMENSIONS		THIRD ANGLE PROJECTION
▽ = 0			DRAWING SERIES D-SIZE 34566
DOCUMENT STATUS		RELEASE DATE	MATERIAL NUMBER CUSTOMER SEE TABLE GENERAL MARKET
P1	2018/10/10	03:26:09	SHEET NUMBER 3 OF 8

molex

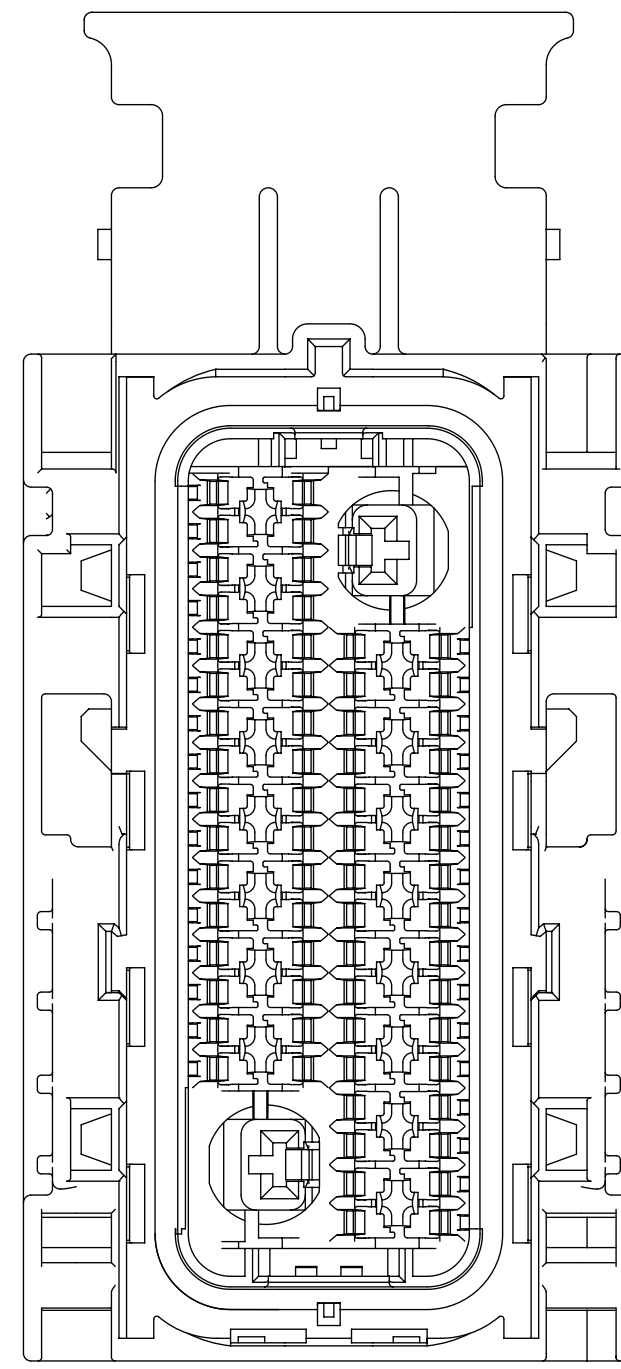
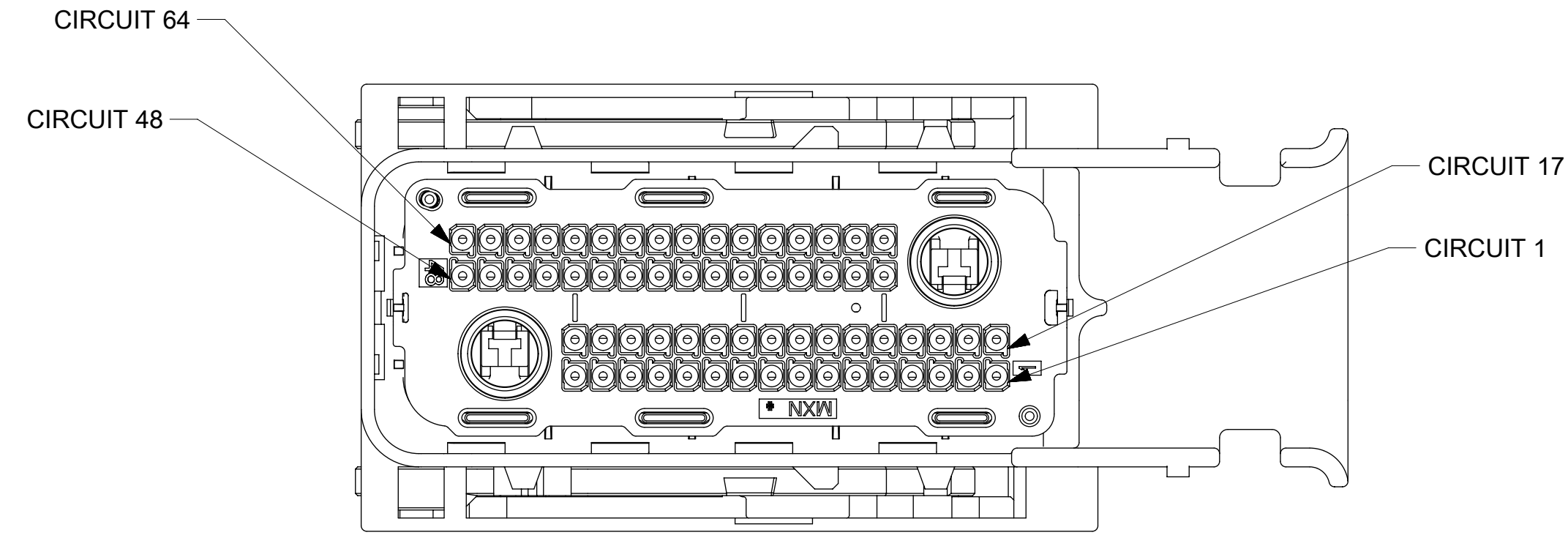
MX123
66/73/80CKT HRNS CONN ASSY

PRODUCT CUSTOMER DRAWING

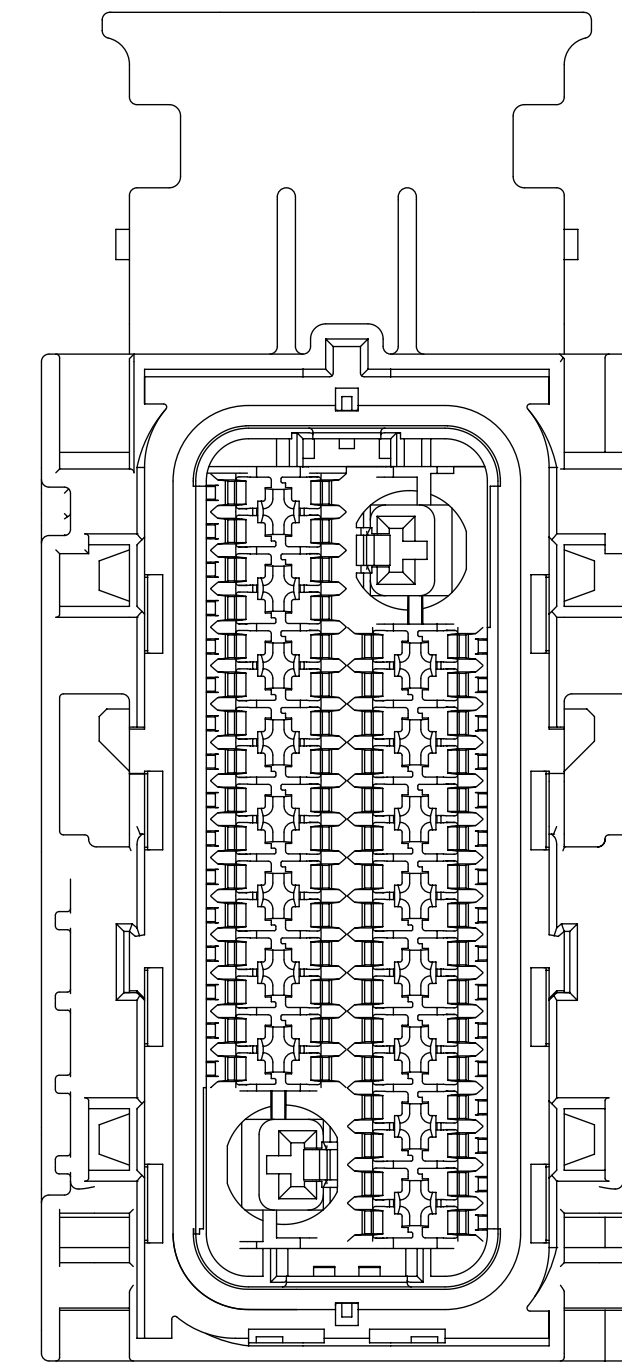
DOCUMENT NUMBER	DOC TYPE	DOC PART	REVISION
SD-34566-001	PSD	000	G63

HOUSING ONLY, SHOWN FOR CLARITY

66 CKT
WIRE DRESS OPTION 0

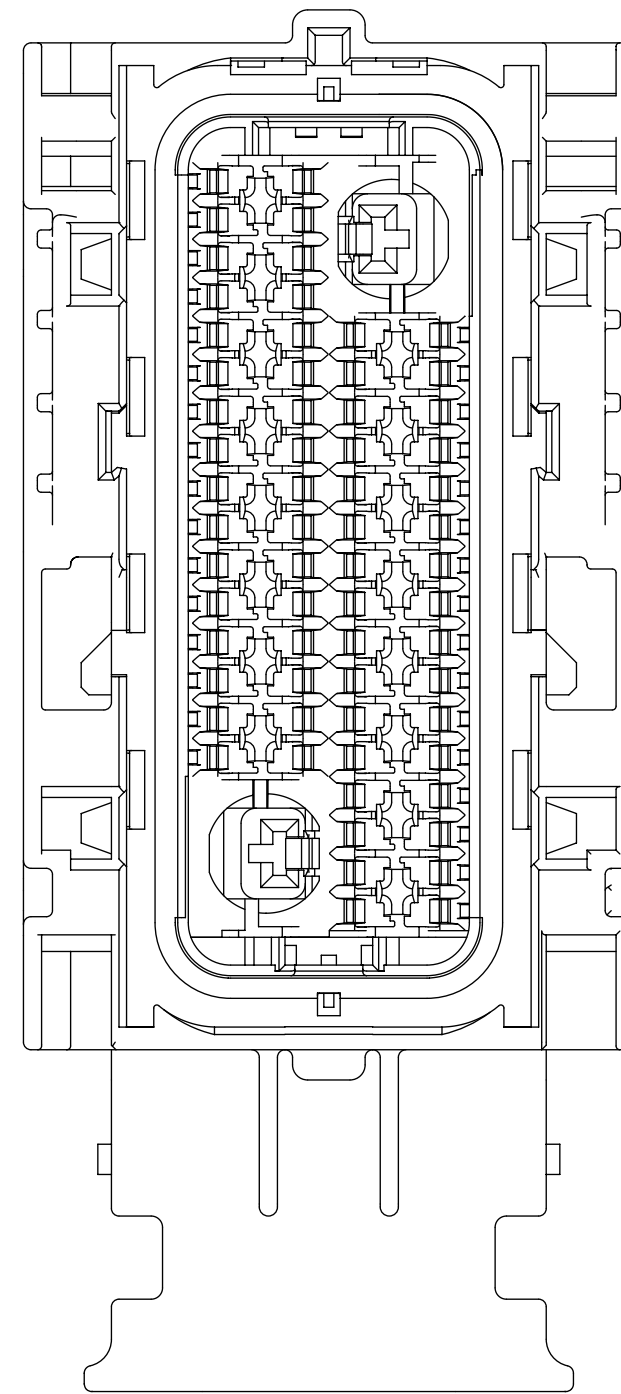
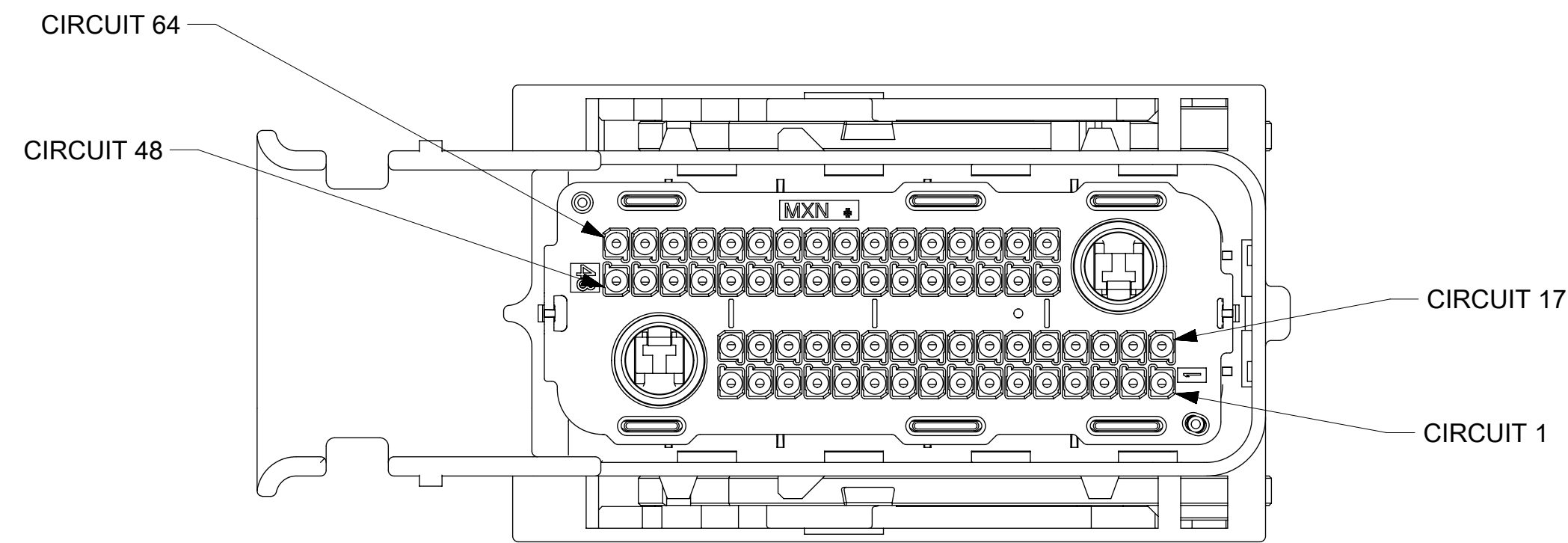


KEY A

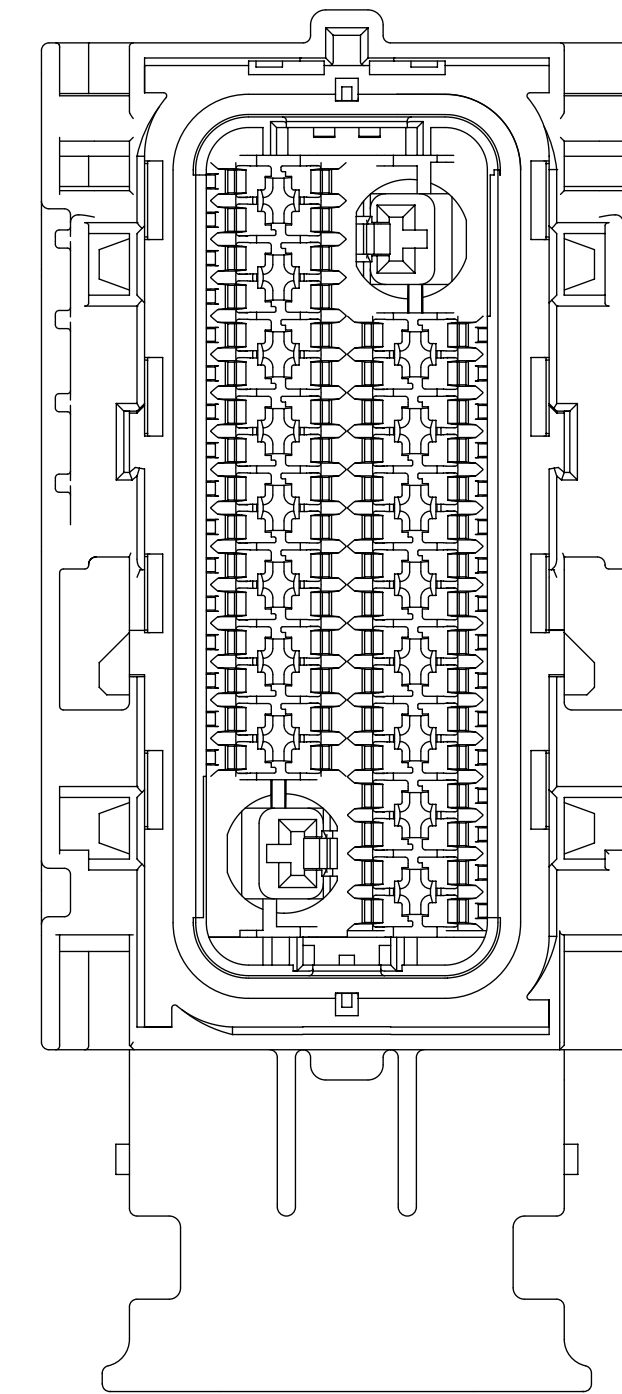


KEY C

WIRE DRESS OPTION 9



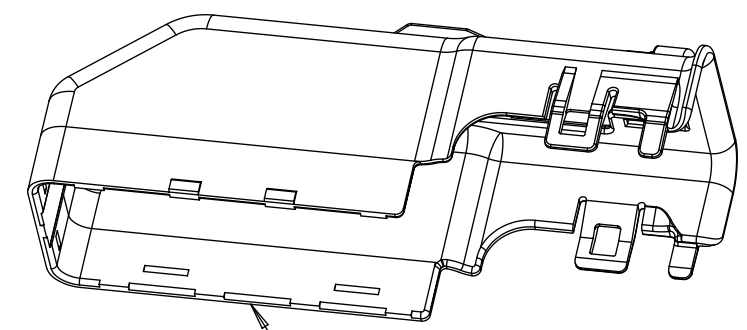
KEY A



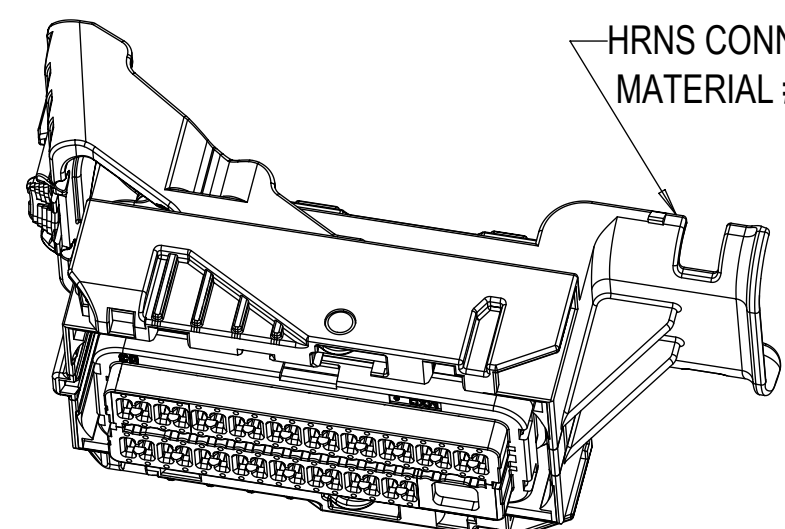
KEY C

SYMBOLS = 0 = 0 = 0 = 0 = 0 = 0 = 0 = 0 = 0 = 0	THIS DRAWING CONTAINS INFORMATION THAT IS PROPRIETARY TO MOLEX ELECTRONIC TECHNOLOGIES, LLC AND SHOULD NOT BE USED WITHOUT WRITTEN PERMISSION		SCALE 2:1		CURRENT REV DESC:			
	DIMENSION UNITS MM		GENERAL TOLERANCES (UNLESS SPECIFIED)		EC NO: 605052 DRWN: HKLIANG 2018/09/27 CHK'D: JDENG02 2018/10/10 APPR: JDENG02 2018/10/10			
	ANGULAR TOL ± °		4 PLACES ±		INITIAL REVISION:		PRODUCT CUSTOMER DRAWING	
	3 PLACES ±		2 PLACES ±		DRWN: TYE 2016/05/06 APPR: SKRAJENDRANA 2016/08/22		DOCUMENT NUMBER	
	2 PLACES ±		1 PLACE ±		DRIVING		DOC TYPE DOC PART REVISION	
	1 PLACE ±		0 PLACES ±		SERIES		SD-34566-001 PSD 000 G63	
	DRAFT WHERE APPLICABLE MUST REMAIN WITHIN DIMENSIONS		THIRD ANGLE PROJECTION		MATERIAL NUMBER		CUSTOMER	
	D-DRAWING		D-SIZE		34566		GENERAL MARKET	
	SHEET NUMBER		4 OF 8		SEE TABLE			

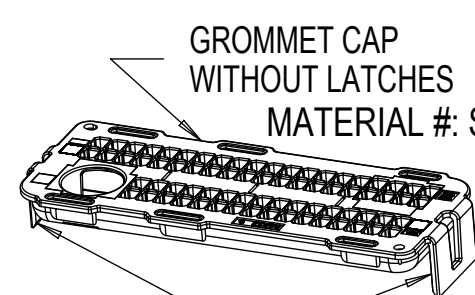
HRNS ASSY COMPONENT LIST



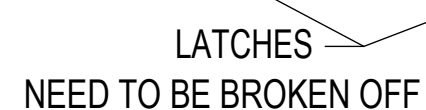
DRESS COVER
MATERIAL #: SEE HRNS ASSY TABLE



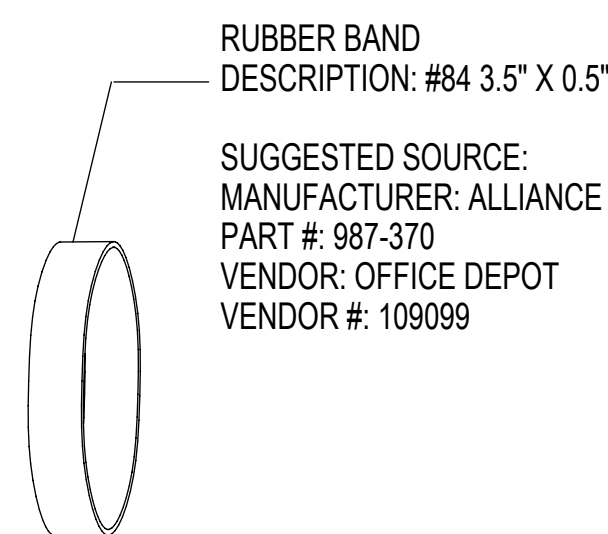
HRNS CONN. ASSY
MATERIAL #: SEE HRNS ASSY TABLE



GROMMET CAP WITHOUT LATCHES
MATERIAL #: SEE HRNS ASSY TABLE

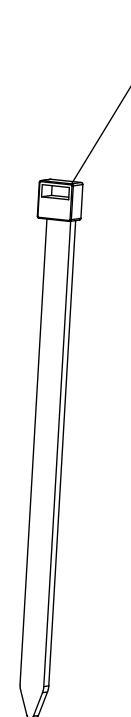


LATCHES
NEED TO BE BROKEN OFF



RUBBER BAND
DESCRIPTION: #84 3.5" X 0.5"

SUGGESTED SOURCE:
MANUFACTURER: ALLIANCE
PART #: 987-370
VENDOR: OFFICE DEPOT
VENDOR #: 109099



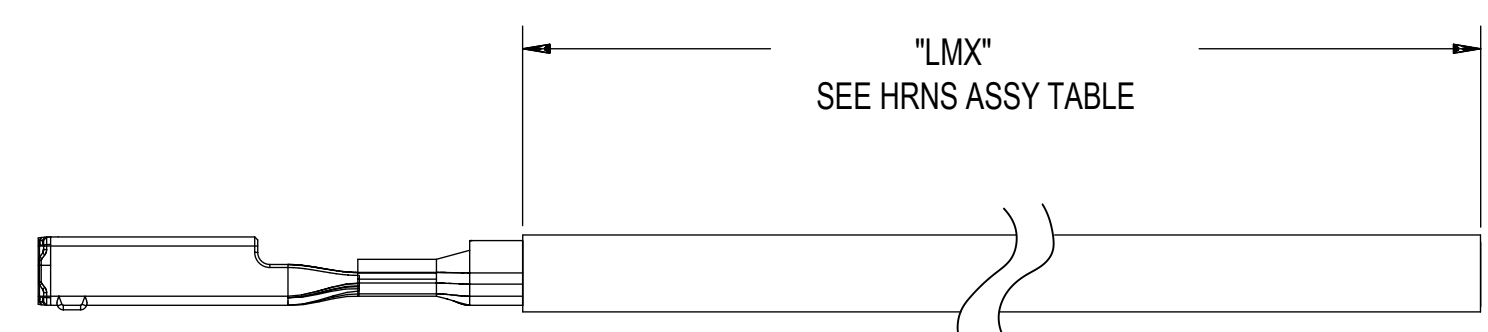
TY-RAP
DESCRIPTION: SIZE TY25 CABLE TIE

SUGGESTED SOURCE:
MANUFACTURER: THOMAS & BETTS
PART #: TY25M
VENDOR: CRESENT ELEC
VENDOR #: 104144

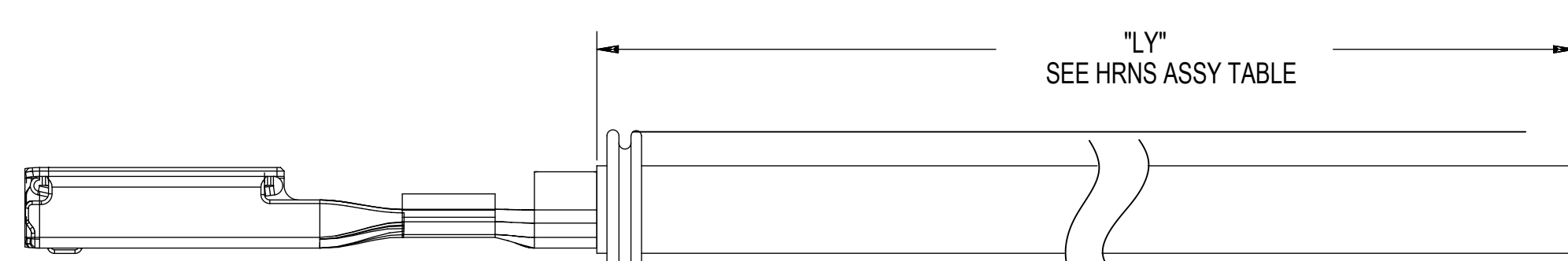
HRNS ASSY



MX64 WIRE ASSY LOOPED
MATERIAL #: SEE HRNS ASSY TABLE



MX64 WIRE ASSY PIGTAIL
MATERIAL #: SEE HRNS ASSY TABLE



2.8mm YESC SEALED FEMALE PIGTAIL ASSY
MATERIAL #: SEE HRNS ASSY TABLE

AWG WIRE HRNS ASSY TABLE

TESTED	HRNS ASSY				HRNS CONN ASSY MATERIAL #	DRESS COVER MATERIAL #	GROMMET CAP MATERIAL #	MX64 WIRE ASSY PER E-33468-001							2.8mm YESC SEALED FEMALE TERMINAL TIN					TY-RAP QTY	RUBBER BAND QTY	
	MATERIAL #	CIRCUIT ID	KEY OPTION	WIRE DRESS OPTION				MATERIAL #	MATERIAL #	MATERIAL #	MATERIAL #	RCPT PLATING	SAE WIRE SIZE #	WIRE TYPE	PIGTAIL OR LOOPED	"LMX" IN METERS 10%	QTY	MATERIAL #	SAE WIRE SIZE #			WIRE TYPE
NO	34070-9234	80	H	0	34566-0803	34565-0003	34571-0301	334670203	Ag	18	TXL	PGTL	3	80	N/A	N/A	N/A	N/A	N/A	N/A	6	0
NO	34070-9934	73	A	0	34566-0103	34565-0003	34571-0101	334670203	Ag	18	TXL	PGTL	3	72	343670005	14	TXL	PGTL	3	1	6	0
NO	34070-9834	73	B	0	34566-0203	34565-0003	34571-0101	334670203	Ag	18	TXL	PGTL	3	72	343670005	14	TXL	PGTL	3	1	6	0
(H30) NO	34330-9214	80	H	0	34566-0803	34565-0003	N/A	334670204	Ag	18	TXL	LPD	1	40	N/A	N/A	N/A	N/A	N/A	N/A	3	1
NO	34330-9914	73	A	0	34566-0103	34565-0003	N/A	334670204	Ag	18	TXL	LPD	1	36	343670005	14	TXL	LPD	3	1	3	1
(H30) NO	34330-9814	73	B	0	34566-0203	34565-0003	N/A	334670204	Ag	18	TXL	LPD	1	36	343670005	14	TXL	LPD	3	1	3	1
NO	34333-9214	80	H	0	34566-0803	34565-0003	34571-0301	334670205	Ag	18	PTFE	PGTL	1	40	N/A	N/A	N/A	N/A	N/A	N/A	3	0
NO	34333-9914	73	A	0	34566-0103	34565-0003	34571-0101	334670205	Ag	18	PTFE	PGTL	1	72	N/A	14	PTFE	PGTL	1	1	3	0
NO	34333-9814	73	B	0	34566-0203	34565-0003	34571-0101	334670205	Ag	18	PTFE	PGTL	1	72	N/A	14	PTFE	PGTL	1	1	3	0
NO	34333-9234	80	H	0	34566-0803	34565-0003	34570-0301	334670206	Ag	18	PTFE	PGTL	3	80	N/A	N/A	N/A	N/A	N/A	N/A	6	0
NO	34333-9934	73	A	0	34566-0103	34565-0003	34571-0101	334670206	Ag	18	PTFE	PGTL	3	72	343670006	14	PTFE	PGTL	3	1	6	0
NO	34333-9834	73	B	0	34566-0203	34565-0003	34571-0101	334670206	Ag	18	PTFE	PGTL	3	72	343670006	14	PTFE	PGTL	3	1	6	0
NO	34070-8734	66	A	0	34822-0013	34565-0003	34822-5011	334670203	Ag	18	TXL	PGTL	3	64	343670005	14	TXL	PGTL	3	2	3	0
NO	34070-8754	66	A	0	34822-0013	34565-0003	34822-5011	334670203	Ag	18	TXL	PGTL	5	64	343670007	14	TXL	PGTL	5	2	10	0
NO	34070-9434	73	F	0	34070-0603	34565-0003	34571-0101	334670203	Ag	18	TXL	PGTL	3	72	343670005	14	TXL	PGTL	3	1	6	0
NO	34070-9434	73	F	9	34070-1803	34565-0003	34571-0501	334670203	Ag	18	TXL	PGTL	3	72	343670005	14	TXL	PGTL	3	1	6	0
NO	34070-8534	66	C	0	34822-0033	34565-0003	34571-5011	334670203	Ag	18	TXL	PGTL	3	64	343670005	14	TXL	PGTL	3	2	3	0
NO	34070-8704	66	A	0	34822-0013	34822-0033	34822-5031	N/A	N/A	N/A	N/A	N/A	N/A	N/A	343670005	14	TXL	PGTL	3	2	N/A	N/A
NO	34070-8504	66	C	0	34822-0033	34822-0033	34822-5031	N/A	N/A	N/A	N/A	N/A	N/A	N/A	343670005	14	TXL	PGTL	3	2	N/A	N/A
NO	34330-8734	66	A	0	34822-0013 (QTY2)	34565-0003	N/A	334670208	Ag	18	TXL	LPD	3	64	343670008	14	TXL	LPD	3	2	3	N/A

PRODUCTION PART # FOR HARNESS ASSEMBLY (WITH WIRES) XXXXX-KKWP

XXXXX- SERIES NUMBER			
SERIES #	CKT SIZE	WIRE TYPE	WIRE DRESS
34070	73/80/66	TXL	PGTL
34330	73/80/66	TXL	LPD
34333	73/80/66	PTFE	PGTL

KK- HARNESS CONNECTOR KEY	
#	73/80 KEY
99	A
98	B
97	C
96	D
95	E
94	F
93	G
92	H
91	J
90	K
89	L
88	M
#	66 KEY
87	A
86	B
85	C

W- MX64 CRIMPED LEAD WIRE LENGTH (m)

P- MX64 RECPT. TERMINAL PLATING

3 - Au

4 - Ag



NOTES: UNLESS OTHERWISE SPECIFIED APPLIES TO "HRNS ASSY" ONLY

- REFER TO: PACKAGING DRAWING # PK-31300-078
- FOR HRNS ASSY WITH WIRE ASSY SEE NEXT PAGE

SYMBOLS DIMENSION UNITS: MM SCALE: 1:1 CURRENT REV DESC: GENERAL TOLERANCES (UNLESS SPECIFIED) ANGULAR TOL: ± ° 4 PLACES ± 3 PLACES ± 2 PLACES ± 1 PLACE ± 0 PLACES ± DRAFT WHERE APPLICABLE MUST REMAIN WITHIN DIMENSIONS THIRD ANGLE PROJECTION DRAWING: D-SIZE SERIES: 34566	THIS DRAWING CONTAINS INFORMATION THAT IS PROPRIETARY TO MOLEX ELECTRONIC TECHNOLOGIES, LLC AND SHOULD NOT BE USED WITHOUT WRITTEN PERMISSION EC NO: 605052 DRWN: HKLIANG 2018/09/27 CHK'D: JDENG02 2018/10/10 APPR: JDENG02 2018/10/10 INITIAL REVISION: DRWN: TYE 2016/05/06 APPR: SKRAJENDRANA 2016/08/22		molex MX123 66/73/80CKT HRNS CONN ASSY PRODUCT CUSTOMER DRAWING	
	DOCUMENT NUMBER: SD-34566-001 DOC TYPE: PSD DOC PART: 000 REVISION: G63		MATERIAL NUMBER: SEE TABLE CUSTOMER: GENERAL MARKET SHEET NUMBER: 5 OF 8	
	DOCUMENT STATUS: P1 RELEASE DATE: 2018/10/10 03:26:09		DRAFT WHERE APPLICABLE MUST REMAIN WITHIN DIMENSIONS THIRD ANGLE PROJECTION DRAWING: D-SIZE SERIES: 34566	

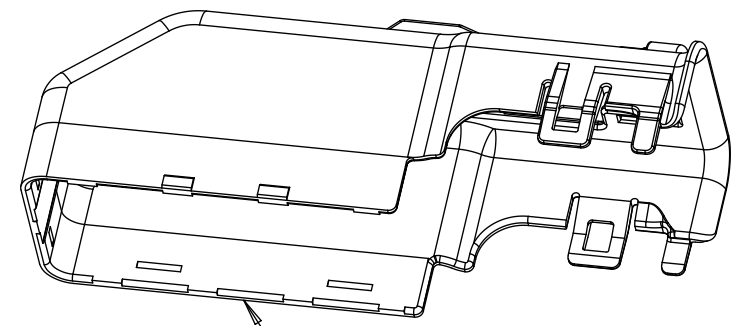
AWG WIRE HRNS ASSY TABLE

TESTED	HRNS ASSY				HRNS CONN ASSY	DRESS COVER	GROMMET CAP	MX64 WIRE ASSY PER E-33468-001						2.8mm YESC SEALED FEMALE TERMINAL TIN						TY-RAP	RUBBER BAND	
	MATERIAL #	CIRCUIT ID	KEY OPTION	WIRE DRESS OPTION				MATERIAL #	MATERIAL #	MATERIAL #	MATERIAL #	RCPT PLATING	SAE WIRE SIZE #	WIRE TYPE	PIGTAIL OR LOOPED	"LMX" IN METERS 10%	QTY	MATERIAL #	SAE WIRE SIZE #			WIRE TYPE
NO	34070-9933	73	A	0	34566-0103	34565-0003	34571-0101	334670103	Au	18	TXL	PGTL	3	72	343670005	14	TXL	PGTL	3	1	6	0
NO	34070-9833	73	B	0	34566-0203	34565-0003	34571-0101	334670103	Au	18	TXL	PGTL	3	72	343670005	14	TXL	PGTL	3	1	6	0
NO	34070-9913	73	A	0	34566-0103	34565-0003	34571-0101	334670102	Au	18	TXL	PGTL	1	72	343670005	14	TXL	PGTL	3	1	3	0
NO	34070-9813	73	B	0	34566-0203	34565-0003	34571-0101	334670102	Au	18	TXL	PGTL	1	72	343670005	14	TXL	PGTL	3	1	3	0
NO	34333-9913	73	A	0	34566-0103	34565-0003	34571-0101	334670105	Au	18	PTFE	PGTL	1	72	N/A	14	PTFE	PGTL	1	1	3	0
NO	34333-9813	73	B	0	34566-0203	34565-0003	34571-0101	334670105	Au	18	PTFE	PGTL	1	72	N/A	14	PTFE	PGTL	1	1	3	0
NO	34333-9933	73	A	0	34566-0103	34565-0003	34571-0101	334670106	Au	18	PTFE	PGTL	3	72	343670006	14	PTFE	PGTL	3	1	6	0
NO	34333-9833	73	B	0	34566-0203	34565-0003	34571-0101	334670106	Au	18	PTFE	PGTL	3	72	343670006	14	PTFE	PGTL	3	1	6	0
NO	34070-9233	80	H	0	34566-0803	34565-0003	34571-0301	334670103	Au	18	TXL	PGTL	3	80	N/A	N/A	N/A	N/A	N/A	N/A	6	0
NO	34070-9213	80	H	0	34566-0803	34565-0003	34571-0301	334670102	Au	18	TXL	PGTL	1	80	N/A	N/A	N/A	N/A	N/A	N/A	3	0
NO	34333-9213	80	H	0	34566-0803	34565-0003	34571-0301	334670105	Au	18	PTFE	PGTL	1	80	N/A	N/A	N/A	N/A	N/A	N/A	3	0
NO	34333-9233	80	H	0	34566-0803	34565-0003	34571-0301	334670106	Au	18	PTFE	PGTL	3	80	N/A	N/A	N/A	N/A	N/A	N/A	6	0
YES	34330-9913	73	A	0	34566-0103	34565-0003	N/A	334670104	Au	18	TXL	LPD	1	36	343670005	14	TXL	LPD	3	1	3	1
YES	34330-9813	73	B	0	34566-0203	34565-0003	N/A	334670104	Au	18	TXL	LPD	1	36	343670005	14	TXL	LPD	3	1	3	1
YES	34330-9213	80	H	0	34566-0803	34565-0003	34571-0301	334670104	Au	18	TXL	LPD	1	40	N/A	N/A	N/A	N/A	N/A	N/A	3	1
NO	34070-9733	73	C	0	34566-0303	34565-0003	34571-0101	334670103	Au	18	TXL	PGTL	3	72	343670005	14	TXL	PGTL	3	1	6	0
NO	34070-9713	73	C	0	34566-0303	34565-0003	34571-0101	334670102	Au	18	TXL	PGTL	1	72	343670005	14	TXL	PGTL	3	1	3	0
NO	34330-9713	73	C	0	34566-0303	34565-0003	34571-0101	334670104	Au	18	TXL	LPD	1	36	343670005	14	TXL	LPD	3	1	3	1
NO	34333-9713	73	C	0	34566-0303	34565-0003	34571-0101	334670105	Au	18	PTFE	PGTL	1	72	N/A	14	PTFE	PGTL	1	1	3	0
NO	34333-9733	73	C	0	34566-0303	34565-0003	34571-0101	334670106	Au	18	PTFE	PGTL	3	72	343670006	14	PTFE	PGTL	3	1	6	0
NO	34070-9333	80	G	0	34566-0703	34565-0003	34571-0301	334670103	Au	18	TXL	PGTL	3	80	N/A	N/A	N/A	N/A	N/A	N/A	6	0
NO	34070-9313	80	G	0	34566-0703	34565-0003	34571-0301	334670102	Au	18	TXL	PGTL	1	80	N/A	N/A	N/A	N/A	N/A	N/A	3	0
NO	34330-9313	80	G	0	34566-0703	34565-0003	34571-0301	334670104	Au	18	TXL	LPD	1	40	N/A	N/A	N/A	N/A	N/A	N/A	3	1
NO	34333-9313	80	G	0	34566-0703	34565-0003	34571-0301	334670105	Au	18	PTFE	PGTL	1	80	N/A	N/A	N/A	N/A	N/A	N/A	3	0
NO	34333-9333	80	G	0	34566-0703	34565-0003	34571-0301	334670106	Au	18	PTFE	PGTL	3	80	N/A	N/A	N/A	N/A	N/A	N/A	6	0
NO	34070-9934	73	A	0	34566-0103	34565-0003	34571-0101	334670203	Ag	18	TXL	PGTL	3	72	343670005	14	TXL	PGTL	3	1	6	0
NO	34070-9834	73	B	0	34566-0203	34565-0003	34571-0101	334670203	Ag	18	TXL	PGTL	3	72	343670005	14	TXL	PGTL	3	1	6	0
NO	34070-9914	73	A	0	34566-0103	34565-0003	34571-0101	334670202	Ag	18	TXL	PGTL	1	72	343670005	14	TXL	PGTL	3	1	3	0
NO	34070-9814	73	B	0	34566-0203	34565-0003	34571-0101	334670202	Ag	18	TXL	PGTL	1	72	343670005	14	TXL	PGTL	3	1	3	0
NO	34070-9234	80	H	0	34566-0803	34565-0003	34571-0301	334670203	Ag	18	TXL	PGTL	3	80	N/A	N/A	N/A	N/A	N/A	N/A	6	0
NO	34070-9214	80	H	0	34566-0803	34565-0003	34571-0301	334670202	Ag	18	TXL	PGTL	1	80	N/A	N/A	N/A	N/A	N/A	N/A	3	0
YES	34330-9914	73	A	0	34566-0103	34565-0003	N/A	334670204	Ag	18	TXL	LPD	1	36	343670005	14	TXL	LPD	3	1	3	1
YES	34330-9814	73	B	0	34566-0203	34565-0003	N/A	334670204	Ag	18	TXL	LPD	1	36	343670005	14	TXL	LPD	3	1	3	1
YES	34330-9214	80	H	0	34566-0803	34565-0003	34571-0301	334670204	Ag	18	TXL	LPD	1	40	N/A	N/A	N/A	N/A	N/A	N/A	3	1
NO	34070-9734	73	C	0	34566-0303	34565-0003	34571-0101	334670203	Ag	18	TXL	PGTL	3	72	343670005	14	TXL	PGTL	3	1	6	0
NO	34070-9714	73	C	0	34566-0303	34565-0003	34571-0101	334670202	Ag	18	TXL	PGTL	1	72	343670005	14	TXL	PGTL	3	1	3	0
NO	34330-9714	73	C	0	34566-0303	34565-0003	N/A	334670204	Ag	18	TXL	LPD	1	36	343670005	14	TXL	LPD	3	1	3	1
NO	34070-9334	80	G	0	34566-0703	34565-0003	34571-0301	334670203	Ag	18	TXL	PGTL	3	80	N/A	N/A	N/A	N/A	N/A	N/A	6	0
NO	34070-9314	80	G	0	34566-0703	34565-0003	34571-0301	334670202	Ag	18	TXL	PGTL	1	80	N/A	N/A	N/A	N/A	N/A	N/A	3	0
NO	34330-9314	80	G	0	34566-0703	34565-0003	N/A	334670204	Ag	18	TXL	LPD	1	40	N/A	N/A	N/A	N/A	N/A	N/A	3	1
NO	34070-9414	73	F	0	34566-0603	34565-0003	34571-0101	334670204	Ag	18	TXL	PGTL	1	72	343670001	14	TXL	PGTL	1	1	3	0
NO	34070-9434	73	F	0	34566-0603	34565-0003	34571-0101	334670204	Ag	18	TXL	PGTL	3	72	343670005	14	TXL	PGTL	3	1	6	0
NO	34333-9734	73	C	0	34566-0303	34565-0003	34571-0101	334670206	Ag	18	PTFE	PGTL	3	72	343670006	14	PTFE	PGTL	3	1	6	0

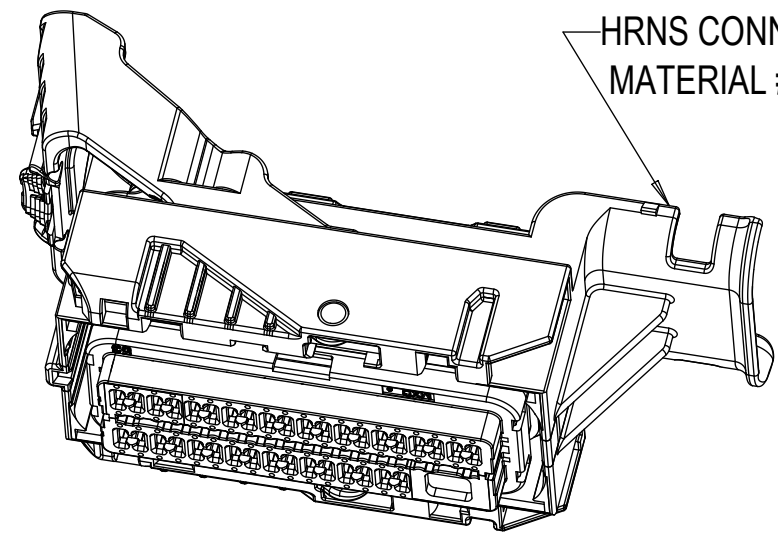
SYMBOLS ▽ = 0 ▽ = 0 ▽ = 0 ▽ = 0 ▽ = 0 ▽ = 0 ▽ = 0 ▽ = 0 ▽ = 0 ▽ = 0 ▽ = 0 ▽ = 0 ▽ = 0	THIS DRAWING CONTAINS INFORMATION THAT IS PROPRIETARY TO MOLEX ELECTRONIC TECHNOLOGIES, LLC AND SHOULD NOT BE USED WITHOUT WRITTEN PERMISSION		CURRENT REV DESC:		 MX123 66/73/80CKT HRNS CONN ASSY PRODUCT CUSTOMER DRAWING	
	DIMENSION UNITS	SCALE	EC NO: 605052			DOCUMENT NUMBER
	MM		DRWN: HKLIANG 2018/09/27			DOC TYPE
	GENERAL TOLERANCES (UNLESS SPECIFIED)		CHK'D: JDENG02 2018/10/10			DOC PART
	ANGULAR TOL ± °		APPR: JDENG02 2018/10/10			REVISION
4 PLACES ±		INITIAL REVISION:				
3 PLACES ±		DRWN: TYE 2016/05/06				
2 PLACES ±		APPR: SKRAJENDRANA 2016/08/22				
1 PLACE ±						
0 PLACES ±						
DRAFT WHERE APPLICABLE MUST REMAIN WITHIN DIMENSIONS		THIRD ANGLE PROJECTION	DRAWING	SERIES	MATERIAL NUMBER	
			D-SIZE	34566	SEE TABLE	
					CUSTOMER	
					GENERAL MARKET	
					SHEET NUMBER	
					6 OF 8	

ISO WIRE HRNS ASSY TABLE

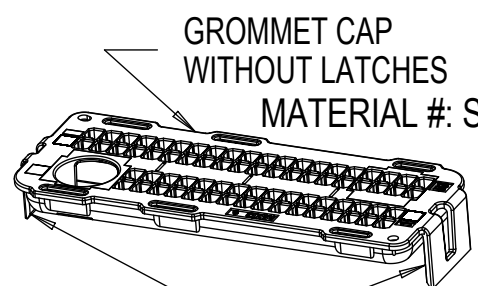
HRNS ASSY COMPONENT LIST



DRESS COVER
MATERIAL #: SEE HRNS ASSY TABLE



HRNS CONN. ASSY
MATERIAL #: SEE HRNS ASSY TABLE



GROMMET CAP WITHOUT LATCHES
MATERIAL #: SEE HRNS ASSY TABLE



LATCHES
NEED TO BE BROKEN OFF

RUBBER BAND
DESCRIPTION: #84 3.5" X 0.5"

SUGGESTED SOURCE:
MANUFACTURER: ALLIANCE
PART #: 987-370
VENDOR: OFFICE DEPOT
VENDOR #: 109099

TY-RAP
DESCRIPTION: SIZE TY25 CABLE TIE

SUGGESTED SOURCE:
MANUFACTURER: THOMAS & BETTS
PART #: TY25M
VENDOR: CRESENT ELEC
VENDOR #: 104144

PRODUCTION PART # FOR HARNESS ASSEMBLY (WITH WIRES) XXXXX-KKLW

XXXXXX- SERIES NUMBER			
SERIES #	CKT SIZE	WIRE TYPE	WIRE DRESS
204778	80/73/66	ISO*	PGTL
204779	80/73/66	ISO*	LPD

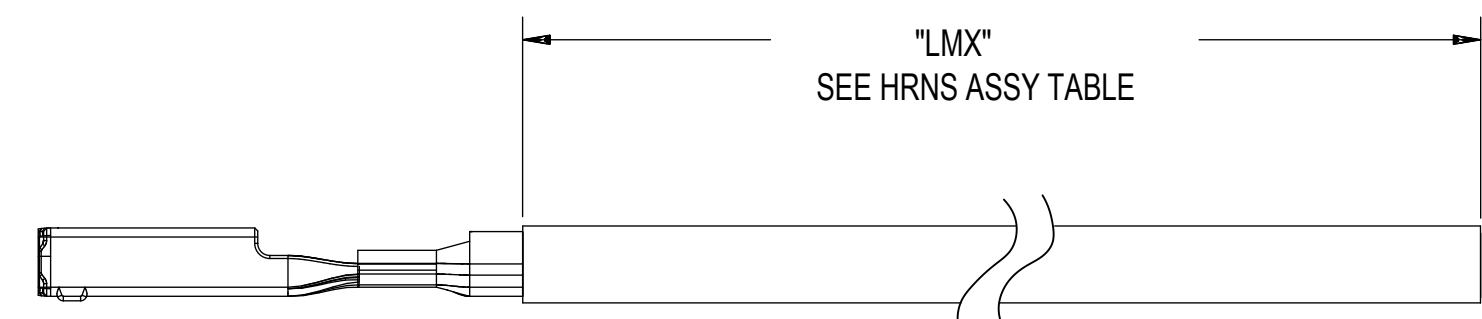
KK- HARNESS CONNECTOR KEY	
#	73/80 KEY
99	A
98	B
97	C
96	D
95	E
94	F
93	G
92	H
91	J
90	K
89	L
88	M
#	66 KEY
87	A
86	B
85	C

L - MX64 CRIMPED LEAD WIRE LENGTH (m)
W - MX64 CRIMPED LEAD WIRE WIDTH (mm²)
1 - 0.35
2 - 0.50
3 - 0.75

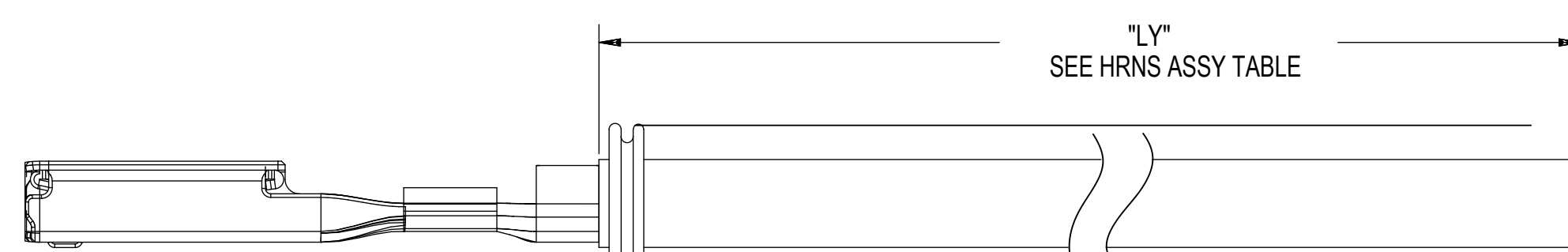
HRNS ASSY



MX64 WIRE ASSY LOOPED
MATERIAL #: SEE HRNS ASSY TABLE



MX64 WIRE ASSY PIGTAIL
MATERIAL #: SEE HRNS ASSY TABLE



2.8mm YESC SEALED FEMALE PIGTAIL ASSY
MATERIAL #: SEE HRNS ASSY TABLE

TESTED	HRNS ASSY				HRNS CONN ASSY	DRESS COVER	GROMMET CAP	MX64 WIRE ASSY PER E-33468-001						2.8mm YESC SEALED FEMALE TERMINAL TIN					TY-RAP	RUBBER BAND		
	MATERIAL #	CIRCUIT ID	KEY OPTION	WIRE DRESS OPTION				MATERIAL #	MATERIAL #	MATERIAL #	MATERIAL #	RCPT PLATING	WIRE SIZE mm²	WIRE TYPE	PIGTAIL OR LOOPED	"LMX" IN METERS 10%	QTY	MATERIAL #			WIRE SIZE #	WIRE TYPE
NO	2047789931	73	A	0	34566-0103	34565-0003	34571-0101	2047801003	Ag	0.35	ISO	PGTL	3	72	2047811003	2	ISO	PGTL	3	1	6	0
NO	2047789831	73	B	0	34566-0203	34565-0003	34571-0101	2047801003	Ag	0.35	ISO	PGTL	3	72	2047811003	2	ISO	PGTL	3	1	6	0
NO	2047789731	73	C	0	34566-0303	34565-0003	34571-0101	2047801003	Ag	0.35	ISO	PGTL	3	72	2047811003	2	ISO	PGTL	3	1	6	0
NO	2047789431	73	F	0	34566-0603	34565-0003	34571-0101	2047801003	Ag	0.35	ISO	PGTL	3	72	2047811003	2	ISO	PGTL	3	1	6	0
NO	2047789932	73	A	0	34566-0103	34565-0003	34571-0101	2047802003	Ag	0.50	ISO	PGTL	3	72	2047811003	2	ISO	PGTL	3	1	6	0
NO	2047789832	73	B	0	34566-0203	34565-0003	34571-0101	2047802003	Ag	0.50	ISO	PGTL	3	72	2047811003	2	ISO	PGTL	3	1	6	0
NO	2047789732	73	C	0	34566-0303	34565-0003	34571-0101	2047802003	Ag	0.50	ISO	PGTL	3	72	2047811003	2	ISO	PGTL	3	1	6	0
NO	2047789432	73	F	0	34566-0603	34565-0003	34571-0101	2047802003	Ag	0.50	ISO	PGTL	3	72	2047811003	2	ISO	PGTL	3	1	6	0
NO	2047789933	73	A	0	34566-0103	34565-0003	34571-0101	2047803003	Ag	0.75	ISO	PGTL	3	72	2047811003	2	ISO	PGTL	3	1	6	0
NO	2047789833	73	B	0	34566-0203	34565-0003	34571-0101	2047803003	Ag	0.75	ISO	PGTL	3	72	2047811003	2	ISO	PGTL	3	1	6	0
NO	2047789733	73	C	0	34566-0303	34565-0003	34571-0101	2047803003	Ag	0.75	ISO	PGTL	3	72	2047811003	2	ISO	PGTL	3	1	6	0
NO	2047789433	73	F	0	34566-0603	34565-0003	34571-0101	2047803003	Ag	0.75	ISO	PGTL	3	72	2047811003	2	ISO	PGTL	3	1	6	0
NO	2047799911	73	A	0	34566-0103	34565-0003	34571-0101	2047801101	Ag	0.35	ISO	LPD	1	72	2047811101	2	ISO	LPD	1	1	3	0
NO	2047799811	73	B	0	34566-0203	34565-0003	34571-0101	2047801101	Ag	0.35	ISO	LPD	1	72	2047811101	2	ISO	LPD	1	1	3	0
NO	2047799711	73	C	0	34566-0303	34565-0003	34571-0101	2047801101	Ag	0.35	ISO	LPD	1	72	2047811101	2	ISO	LPD	1	1	3	0
NO	2047799411	73	F	0	34566-0603	34565-0003	34571-0101	2047801101	Ag	0.35	ISO	LPD	1	72	2047811101	2	ISO	LPD	1	1	3	0
NO	2047799912	73	A	0	34566-0103	34565-0003	34571-0101	2047802101	Ag	0.50	ISO	LPD	1	72	2047811101	2	ISO	LPD	1	1	3	0
NO	2047799812	73	B	0	34566-0203	34565-0033	34571-0101	2047802101	Ag	0.50	ISO	LPD	1	72	2047811101	2	ISO	LPD	1	1	3	0
NO	2047799712	73	C	0	34566-0303	34565-0033	34571-0101	2047802101	Ag	0.50	ISO	LPD	1	72	2047811101	2	ISO	LPD	1	1	3	0
NO	2047799412	73	F	0	34566-0603	34565-0003	34571-0101	2047802101	Ag	0.50	ISO	LPD	1	72	2047811101	2	ISO	LPD	1	1	3	0
NO	2047799913	73	A	0	34566-0103	34565-0003	34571-0101	2047803101	Ag	0.75	ISO	LPD	1	72	2047811101	2	ISO	LPD	1	1	3	0
NO	2047799813	73	B	0	34566-0203	34565-0003	34571-0101	2047803101	Ag	0.75	ISO	LPD	1	72	2047811101	2	ISO	LPD	1	1	3	0
NO	2047799713	73	C	0	34566-0303	34565-0003	34571-0101	2047803101	Ag	0.75	ISO	LPD	1	72	2047811101	2	ISO	LPD	1	1	3	0
NO	2047799413	73	F	0	34566-0603	34565-0003	34571-0101	2047803101	Ag	0.75	ISO	LPD	1	72	2047811101	2	ISO	LPD	1	1	3	0
NO	2047789333	80	G	0	34566-0703	34565-0003	34571-0301	2047803003	Ag	0.75	ISO	PGTL	3	80	N/A	N/A	N/A	N/A	N/A	N/A	6	0
NO	2047789233	80	H	0	34566-0803	34565-0003	34571-0301	2047803003	Ag	0.75	ISO	PGTL	3	80	N/A	N/A	N/A	N/A	N/A	N/A	6	0

NOTES: UNLESS OTHERWISE SPECIFIED APPLIES TO "HRNS ASSY" ONLY
1. REFER TO: PACKAGING DRAWING # PK-31300-078
2. FOR HRNS ASSY WITH WIRE ASSY SEE NEXT PAGE

SYMBOLS	THIS DRAWING CONTAINS INFORMATION THAT IS PROPRIETARY TO MOLEX ELECTRONIC TECHNOLOGIES, LLC AND SHOULD NOT BE USED WITHOUT WRITTEN PERMISSION		CURRENT REV DESC:																																				
	▽ = 0	DIMENSION UNITS	SCALE																																				
▽ = 0	MM																																						
▽ = 0	GENERAL TOLERANCES (UNLESS SPECIFIED)																																						
▽ = 0	ANGULAR TOL	±	°																																				
▽ = 0	4 PLACES	±																																					
▽ = 0	3 PLACES	±																																					
▽ = 0	2 PLACES	±																																					
▽ = 0	1 PLACE	±																																					
▽ = 0	0 PLACES	±																																					
□ = 0	DRAFT WHERE APPLICABLE MUST REMAIN WITHIN DIMENSIONS																																						
○ = 0	THIRD ANGLE PROJECTION		DRAWING SERIES																																				
			D-SIZE	34566																																			
<table border="1"> <tr> <td>EC NO:</td> <td>605052</td> <td></td> <td></td> <td></td> </tr> <tr> <td>DRWN:</td> <td>HKLIANG</td> <td>2018/09/27</td> <td></td> <td></td> </tr> <tr> <td>CHK'D:</td> <td>JDENG02</td> <td>2018/10/10</td> <td></td> <td></td> </tr> <tr> <td>APPR:</td> <td>JDENG02</td> <td>2018/10/10</td> <td></td> <td></td> </tr> <tr> <td colspan="5">INITIAL REVISION:</td> </tr> <tr> <td>DRWN:</td> <td>TYE</td> <td>2016/05/06</td> <td></td> <td></td> </tr> <tr> <td>APPR:</td> <td>SKRAJENDRANA</td> <td>2016/08/22</td> <td></td> <td></td> </tr> </table>					EC NO:	605052				DRWN:	HKLIANG	2018/09/27			CHK'D:	JDENG02	2018/10/10			APPR:	JDENG02	2018/10/10			INITIAL REVISION:					DRWN:	TYE	2016/05/06			APPR:	SKRAJENDRANA	2016/08/22		
EC NO:	605052																																						
DRWN:	HKLIANG	2018/09/27																																					
CHK'D:	JDENG02	2018/10/10																																					
APPR:	JDENG02	2018/10/10																																					
INITIAL REVISION:																																							
DRWN:	TYE	2016/05/06																																					
APPR:	SKRAJENDRANA	2016/08/22																																					
MX123 66/73/80CKT HRNS CONN ASSY																																							
PRODUCT CUSTOMER DRAWING																																							
<table border="1"> <tr> <td>DOCUMENT NUMBER</td> <td>DOC TYPE</td> <td>DOC PART</td> <td colspan="2">REVISION</td> </tr> <tr> <td>SD-34566-001</td> <td>PSD</td> <td>000</td> <td colspan="2">G63</td> </tr> <tr> <td>MATERIAL NUMBER</td> <td>CUSTOMER</td> <td colspan="2">SHEET NUMBER</td> <td></td> </tr> <tr> <td>SEE TABLE</td> <td>GENERAL MARKET</td> <td colspan="2">7 OF 8</td> <td></td> </tr> </table>					DOCUMENT NUMBER	DOC TYPE	DOC PART	REVISION		SD-34566-001	PSD	000	G63		MATERIAL NUMBER	CUSTOMER	SHEET NUMBER			SEE TABLE	GENERAL MARKET	7 OF 8																	
DOCUMENT NUMBER	DOC TYPE	DOC PART	REVISION																																				
SD-34566-001	PSD	000	G63																																				
MATERIAL NUMBER	CUSTOMER	SHEET NUMBER																																					
SEE TABLE	GENERAL MARKET	7 OF 8																																					

ISO WIRE HRNS ASSY TABLE

TESTED	HRNS ASSY				HRNS CONN ASSY	DRESS COVER	GROMMET CAP	MX64 WIRE ASSY PER E-33468-001						2.8mm YESC SEALED FEMALE TERMINAL TIN					TY-RAP	RUBBER BAND		
	MATERIAL #	CIRCUIT ID	KEY OPTION	WIRE DRESS OPTION	MATERIAL #	MATERIAL #	MATERIAL #	MATERIAL #	RCPT PLATING	WIRE SIZE # mm ²	WIRE TYPE	PIGTAIL OR LOOPED	"LMX" IN METERS 10%	QTY	MATERIAL #	WIRE SIZE # mm ²	WIRE TYPE	PIGTAIL OR LOOPED			"LMX" IN METERS 10%	QTY
NO	2047789331	80	G	0	34566-0703	34565-0003	34571-0301	2047801003	Ag	0.35	ISO	PGTL	3	80	2047811003	2	ISO	PGTL	3	N/A	6	0
NO	2047789231	80	H	0	34566-0803	34565-0003	34571-0301	2047801003	Ag	0.35	ISO	PGTL	3	80	2047811003	2	ISO	PGTL	3	N/A	6	0
NO	2047789332	80	G	0	34566-0703	34565-0003	34571-0301	2047802003	Ag	0.50	ISO	PGTL	3	80	2047811003	2	ISO	PGTL	3	N/A	6	0
NO	2047789232	80	H	0	34566-0803	34565-0003	34571-0301	2047802003	Ag	0.50	ISO	PGTL	3	80	2047811003	2	ISO	PGTL	3	N/A	6	0
NO	2047789333	80	G	0	34566-0703	34565-0003	34571-0301	2047803003	Ag	0.75	ISO	PGTL	3	80	2047811003	2	ISO	PGTL	3	N/A	6	0
NO	2047789233	80	H	0	34566-0803	34565-0003	34571-0301	2047803003	Ag	0.75	ISO	PGTL	3	80	2047811003	2	ISO	PGTL	3	N/A	6	0
NO	2047799311	80	G	0	34566-0703	34565-0003	N/A	2047801101	Ag	0.35	ISO	LPD	1	80	2047811101	2	ISO	LPD	1	N/A	3	0
NO	2047799211	80	H	0	34566-0803	34565-0003	N/A	2047801101	Ag	0.35	ISO	LPD	1	80	2047811101	2	ISO	LPD	1	N/A	3	0
NO	2047799312	80	G	0	34566-0703	34565-0003	N/A	2047802101	Ag	0.50	ISO	LPD	1	80	2047811101	2	ISO	LPD	1	N/A	3	0
NO	2047799212	80	H	0	34566-0803	34565-0003	N/A	2047802101	Ag	0.50	ISO	LPD	1	80	2047811101	2	ISO	LPD	1	N/A	3	0
NO	2047799313	80	G	0	34566-0703	34565-0003	N/A	2047803101	Ag	0.75	ISO	LPD	1	80	2047811101	2	ISO	LPD	1	N/A	3	0
NO	2047799213	80	H	0	34566-0803	34565-0003	N/A	2047803101	Ag	0.75	ISO	LPD	1	80	2047811101	2	ISO	LPD	1	N/A	3	0
NO	2047789931	66	A	0	34822-0013	34565-0003	34822-5011	2047801003	Ag	0.35	ISO	PGTL	3	64	2047811003	2	ISO	PGTL	3	2	6	0
NO	2047789731	66	C	0	34822-0033	34565-0003	34822-5011	2047801003	Ag	0.35	ISO	PGTL	3	64	2047811003	2	ISO	PGTL	3	2	6	0
NO	2047789932	66	A	0	34822-0013	34565-0003	34822-5011	2047802003	Ag	0.50	ISO	PGTL	3	64	2047811003	2	ISO	PGTL	3	2	6	0
NO	2047789732	66	C	0	34822-0033	34565-0003	34822-5011	2047802003	Ag	0.50	ISO	PGTL	3	64	2047811003	2	ISO	PGTL	3	2	6	0
NO	2047789933	66	A	0	34822-0013	34565-0003	34822-5011	2047803003	Ag	0.75	ISO	PGTL	3	64	2047811003	2	ISO	PGTL	3	2	6	0
NO	2047789733	66	C	0	34822-0033	34565-0003	34822-5011	2047803003	Ag	0.75	ISO	PGTL	3	64	2047811003	2	ISO	PGTL	3	2	6	0
NO	2047799911	66	A	0	34822-0013	34565-0003	N/A	2047801101	Ag	0.35	ISO	LPD	1	64	2047811101	2	ISO	LPD	1	2	3	0
NO	2047799711	66	C	0	34822-0033	34565-0003	N/A	2047801101	Ag	0.35	ISO	LPD	1	64	2047811101	2	ISO	LPD	1	2	3	0
NO	2047799912	66	A	0	34822-0013	34565-0003	N/A	2047802101	Ag	0.50	ISO	LPD	1	64	2047811101	2	ISO	LPD	1	2	3	0
NO	2047799712	66	C	0	34822-0033	34565-0003	N/A	2047802101	Ag	0.50	ISO	LPD	1	64	2047811101	2	ISO	LPD	1	2	3	0
NO	2047799913	66	A	0	34822-0013	34565-0003	N/A	2047803101	Ag	0.75	ISO	LPD	1	64	2047811101	2	ISO	LPD	1	2	3	0
NO	2047799713	66	C	0	34822-0033	34565-0003	N/A	2047803101	Ag	0.75	ISO	LPD	1	64	2047811101	2	ISO	LPD	1	2	3	0

SYMBOLS	THIS DRAWING CONTAINS INFORMATION THAT IS PROPRIETARY TO MOLEX ELECTRONIC TECHNOLOGIES, LLC AND SHOULD NOT BE USED WITHOUT WRITTEN PERMISSION		
	DIMENSION UNITS	SCALE	CURRENT REV DESC:
▽ = 0	MM		
▽ = 0	GENERAL TOLERANCES (UNLESS SPECIFIED)		EC NO: 605052 DRWN: HKLIANG 2018/09/27 CHK'D: JDENG02 2018/10/10 APPR: JDENG02 2018/10/10 INITIAL REVISION: DRWN: TYE 2016/05/06 APPR: SKRAJENDRANA 2016/08/22
▽ = 0	ANGULAR TOL	± °	
▽ = 0	4 PLACES	±	
▽ = 0	3 PLACES	±	
▽ = 0	2 PLACES	±	
▽ = 0	1 PLACE	±	
▽ = 0	0 PLACES	±	
■ = 0	DRAFT WHERE APPLICABLE MUST REMAIN WITHIN DIMENSIONS		THIRD ANGLE PROJECTION
▽ = 0			DRAWING D-SIZE SERIES 34566
DOCUMENT STATUS		P1	RELEASE DATE 2018/10/10 03:26:09
DOCUMENT NUMBER		DOC TYPE	DOC PART
SD-34566-001		PSD	000
REVISION		G63	
MATERIAL NUMBER		CUSTOMER	
SEE TABLE		GENERAL MARKET	
SHEET NUMBER		8 OF 8	