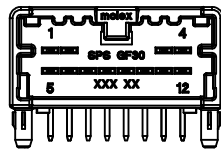
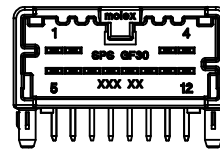


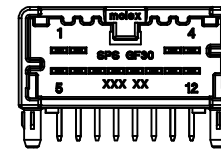
12 CIRCUIT RIGHT ANGLE HEADER
POLARIZATION OPTION A



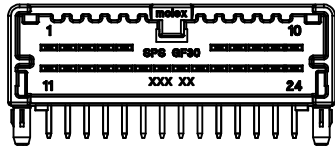
12 CIRCUIT RIGHT ANGLE HEADER
POLARIZATION OPTION B



12 CIRCUIT RIGHT ANGLE HEADER
POLARIZATION OPTION C

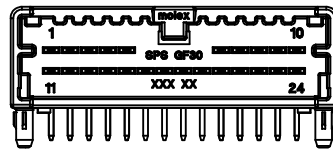


12 CIRCUIT RIGHT ANGLE HEADER
POLARIZATION OPTION D



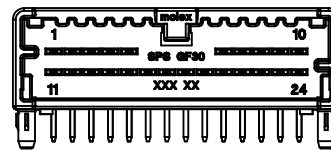
24 CIRCUIT RIGHT ANGLE HEADER
POLARIZATION OPTION A

NOT TOOLED



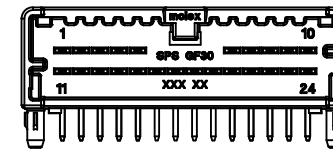
24 CIRCUIT RIGHT ANGLE HEADER
POLARIZATION OPTION B

NOT TOOLED



24 CIRCUIT RIGHT ANGLE HEADER
POLARIZATION OPTION C

NOT TOOLED



24 CIRCUIT RIGHT ANGLE HEADER
POLARIZATION OPTION D

NOT TOOLED

MINISO RIGHT ANGLE HEADER ASSEMBLIES

MATERIAL NUMBER TRAY PACKAGING PK-31301-688	CIRCUIT	POL	COLOR	BLADE PLATING	MATING COMPONENT
34826-0120	12	A	BLACK	TIN OVER NICKEL	34824-0120
34826-0121	12	B	GRAY	TIN OVER NICKEL	34824-0121
34826-0122	12	C	BROWN	TIN OVER NICKEL	34824-0122
34826-0123	12	D	GREEN	TIN OVER NICKEL	34824-0123
34826-0240 - NOT TOOLED	24	A	BLACK	TIN OVER NICKEL	34824-0240 - NOT TOOLED
34826-0241 - NOT TOOLED	24	B	GRAY	TIN OVER NICKEL	34824-0241 - NOT TOOLED
34826-0242 - NOT TOOLED	24	C	BROWN	TIN OVER NICKEL	34824-0242 - NOT TOOLED
34826-0243 - NOT TOOLED	24	D	GREEN	TIN OVER NICKEL	34824-0243 - NOT TOOLED

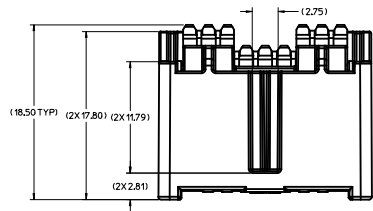
NOTES: VALID UNLESS OTHERWISE SPECIFIED

1. GENERAL:
 - a. APPLICATION SPECIFICATION SEE: AS-34791-020
 - b. PRODUCT SPECIFICATION SEE: PS-34791-020
 - c. PACKAGING SPECIFICATION PER MOLEX DRAWING: PK-31301-688
 - d. SOLDERABILITY PER SMES-152
 - e. PARTS MUST BE IN COMPLIANCE TO MOLEX CHEMICAL SUBSTANCES FOR PRODUCTS AND PACKAGING SPECIFICATION: OHS-699000-300
 - f. DATA MUST BE SUBMITTED UNDER THE MOLEX PART NUMBER TO IMDS (COMPANY ID#13255)
 - g. FLAMMABILITY REQUIREMENT: PER ISO3795 OR GM3191
 - h. VISUAL DEFECTS SHALL MEET COSMETIC STANDARD PS-45499-002 (Class B)
2. DESIGN - MATERIALS:
 - a. SHROUD (PLASTIC HOUSING): SPS 30% GF, 20% REGRIND MAX PER WEIGHT
 - b. BLADES:
 - BASE METAL: C260 BRASS
 - PLATING REQUIREMENTS:
 - TIN OVER NICKEL:
 - UNDERPLATING:
 - OVERALL NICKEL
 - OVERPLATING:
 - OVERALL TIN
3. DESIGN - GEOMETRY:
 - a. THIS IS A 100% CAD GENERATED PART, THE CAD MATHEMATICAL DATA IS THE MASTER FOR THIS PART, FOR DIMENSIONAL OR ANY INFORMATION NOT SHOWN ON THIS DRAWING, ANALYZE THE CAD MODEL.
 - b. GEOMETRIC DIMENSIONS AND TOLERANCES PER ASME Y14.5M - 1994
 - c. GENERAL TOLERANCES: SEE TITLE BLOCK
 - d. EDGES AND UNDIMENSIONED DETAILS PER ISO13715
 - e. CORNERS SHOWN AS SHARP TO BE R.01 MAX
 - f. LETTERING SHALL BE 0.30 MAX RAISED, THIS INCLUDES RECYCLING CODE, PLANT AND CAVITY ID, VENDOR ID, AND CIRCUIT ID.

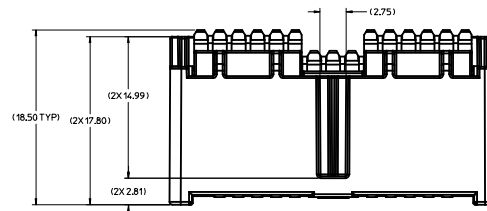
LAST BALLOON ON DRAWING:
⑩
DELETED BALLOONS:

INITIAL RELEASE EC NO. UAU2010-1023 DRAWN BY: TUCUCU 2011/02/24 CHECKED BY: TMACHUGA 2011/02/25 APPROVED BY: SHARCEAU 2011/05/18 REV. DESCRIPTION	QUALITY SYMBOLS	GENERAL TOLERANCES (UNLESS SPECIFIED)	DIMENSION STYLE	SCALE	DESIGN UNITS	THIRD ANGLE PROJECTION
	▽=0	mm INCH	MM ONLY	5:1	METRIC	☉
	▽=0	4 PLACES ± --- ± ---	DRAWN BY DATE	TUCUCU 2011/02/24	MINISO DUAL ROW RIGHT ANGLE ASSEMBLY SALES DRAWING	
	▽=0	3 PLACES ± --- ± ---	CHECKED BY DATE	TMACHUGA 2011/02/25	MOLEX INCORPORATED	
	2 PLACES ± 0.10 ± ---	APPROVED BY DATE	SHARCEAU 2011/05/18	MATERIAL NO.	DOCUMENT NO.	SHEET NO.
	1 PLACE ± 0.20 ± ---	ANGULAR ± 3 °	SEE TABLE	SD-34826-000	1 OF 2	
		DRAFT WHERE APPLICABLE MUST REMAIN WITHIN DIMENSIONS	THIS DRAWING CONTAINS INFORMATION THAT IS PROPRIETARY TO MOLEX INCORPORATED AND SHOULD NOT BE USED WITHOUT WRITTEN PERMISSION			

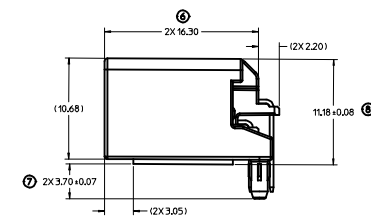
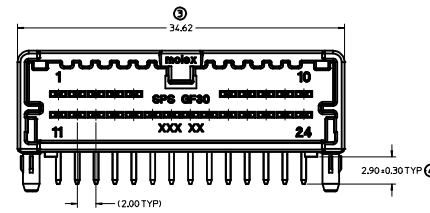
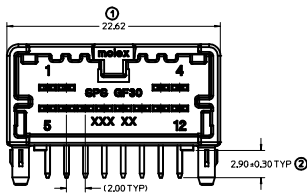
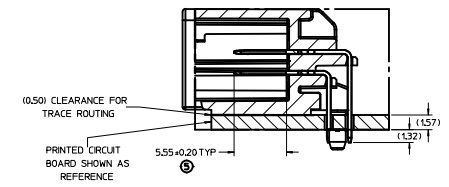
12 CIRCUIT RIGHT ANGLE HEADER



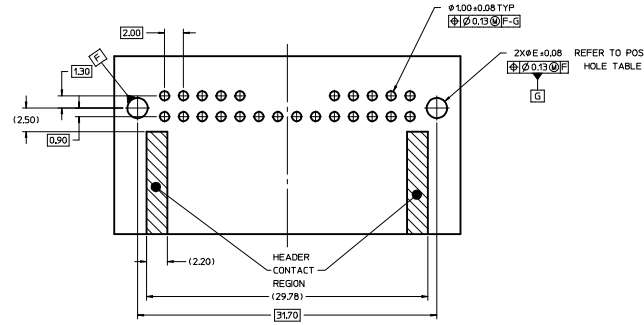
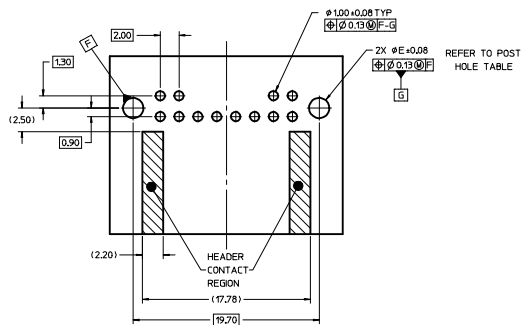
24 CIRCUIT RIGHT ANGLE HEADER



HEADER TO PCB FLUSH MOUNT



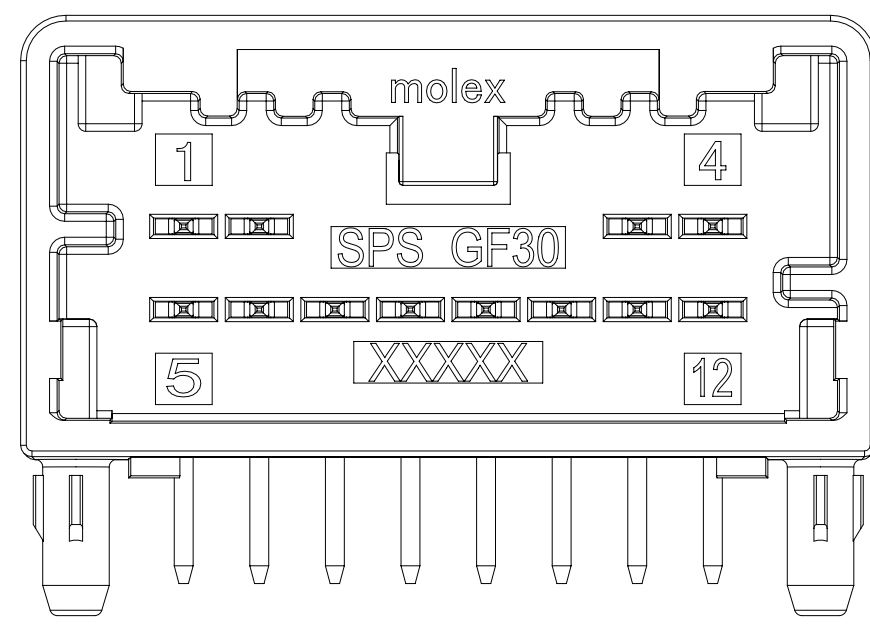
PCB LAYOUT
CONNECTOR MATE SIDE



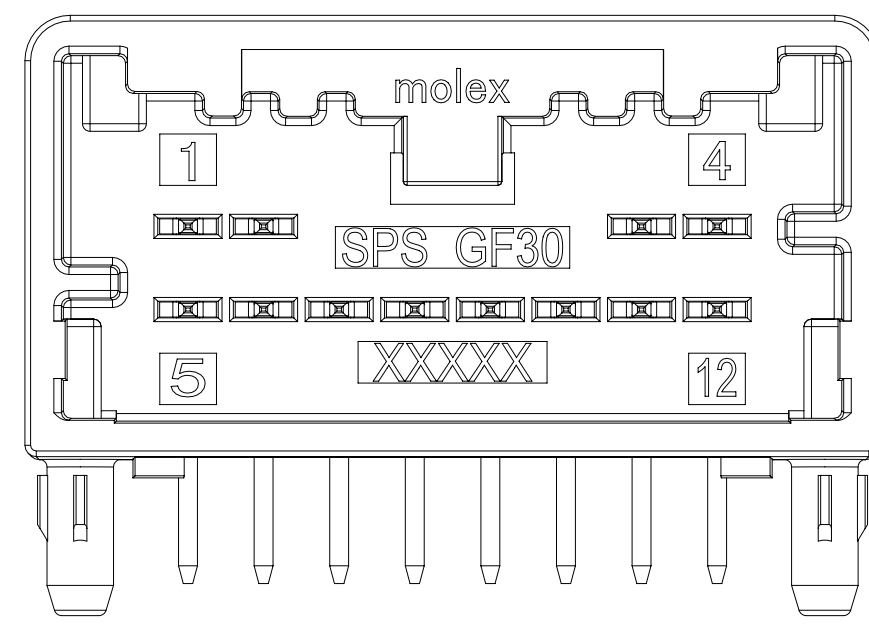
POST HOLE TABLE

	DIM E'
PRESS FIT	2.15
DROP IN	2.55

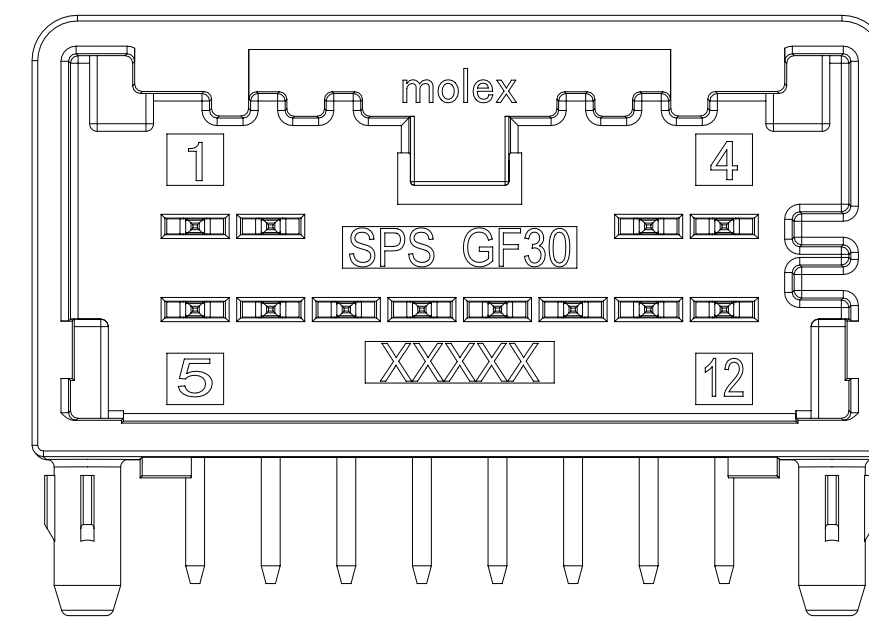
INITIAL RELEASE EC NO. UAD02011-1023 DRAWN/DCU 2011/02/24 CHECKED/TCUCU 2011/02/24 APPR/SMB/CAU 2011/05/18	QUALITY SYMBOLS	GENERAL TOLERANCES (UNLESS SPECIFIED)	DIMENSION STYLE	SCALE	DESIGN UNITS	THIRD ANGLE PROJECTION
	▽=0	mm INCH	MM ONLY	5:1	METRIC	☉
	▽=0	4 PLACES ± --- ± ---	1/CUCU 2011/02/24	TITLE	MINI50 DUAL ROW RIGHT ANGLE ASSEMBLY SALES DRAWING	
	▽=0	3 PLACES ± --- ± ---	CHECKED BY DATE	MOLEX INCORPORATED		
	2 PLACES ± 0.10 ± ---	1 PLACE ± 0.20 ± ---	APPROVED BY DATE	DOCUMENT NO. SD-34826-000		SHEET NO. 2 OF 2
	ANGULAR ± 3°		DRAFT WHERE APPLICABLE MUST REMAIN WITHIN DIMENSIONS SIZE SEE TABLE THIS DRAWING CONTAINS INFORMATION THAT IS PROPRIETARY TO MOLEX INCORPORATED AND SHOULD NOT BE USED WITHOUT WRITTEN PERMISSION			



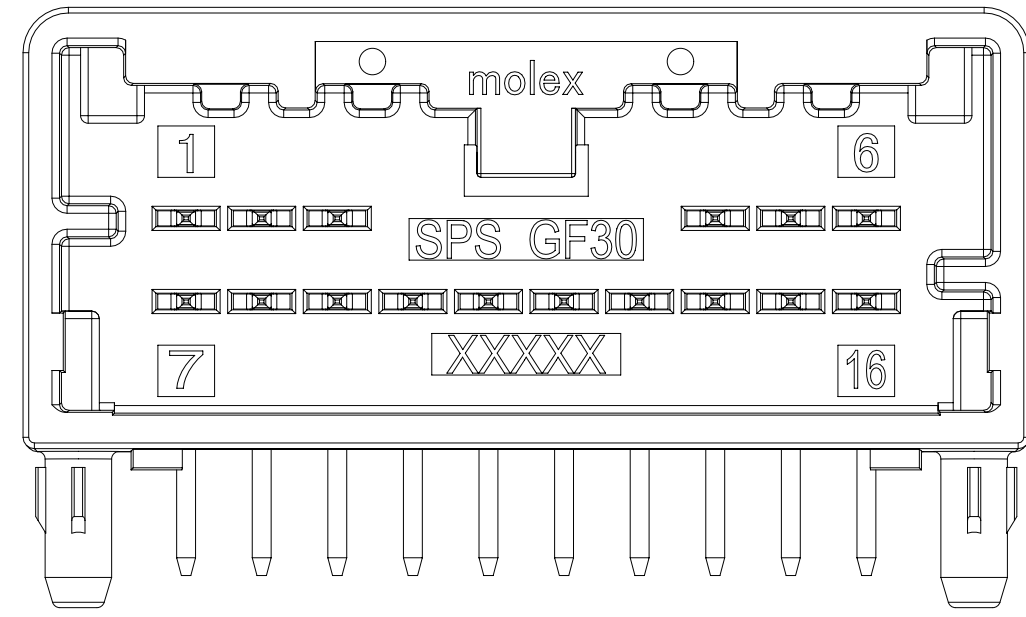
12CKT POLARIZATION A



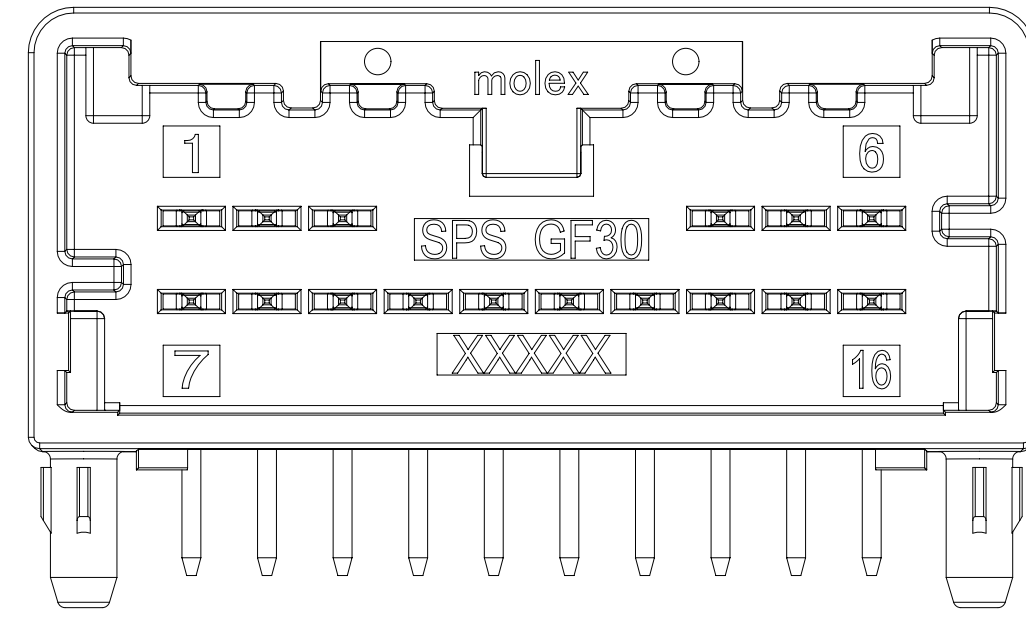
12CKT POLARIZATION B



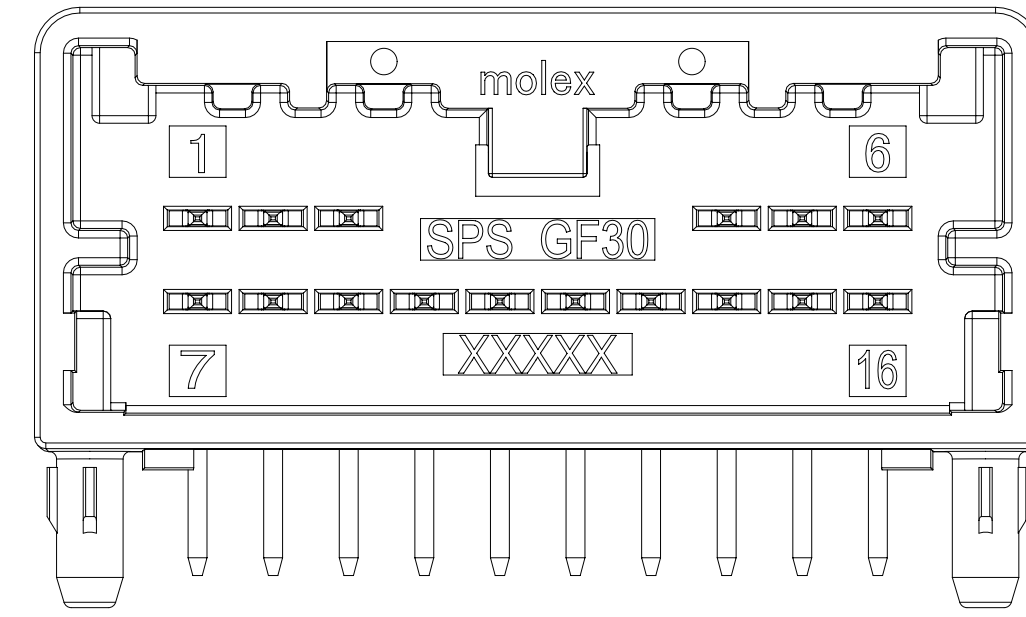
12CKT POLARIZATION C



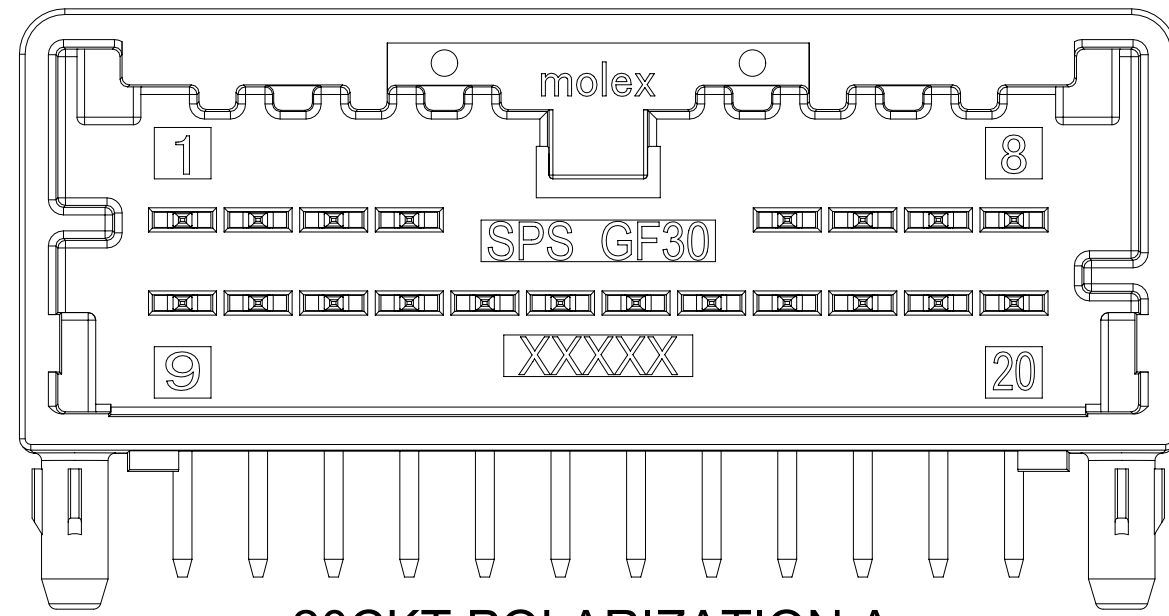
16CKT POLARIZATION A



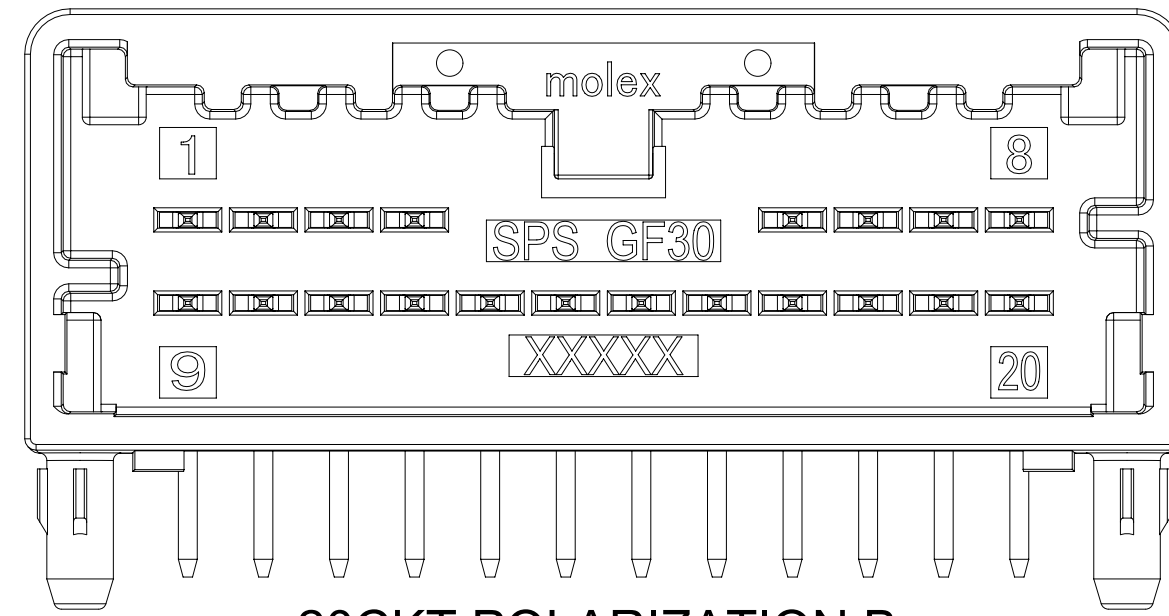
16CKT POLARIZATION B



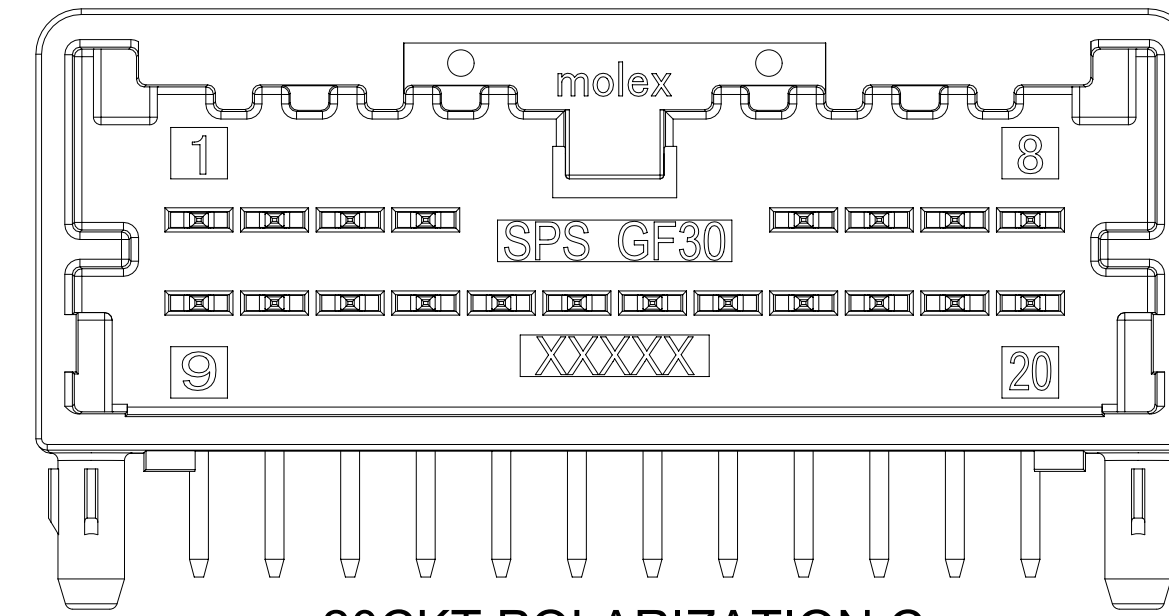
16CKT POLARIZATION C



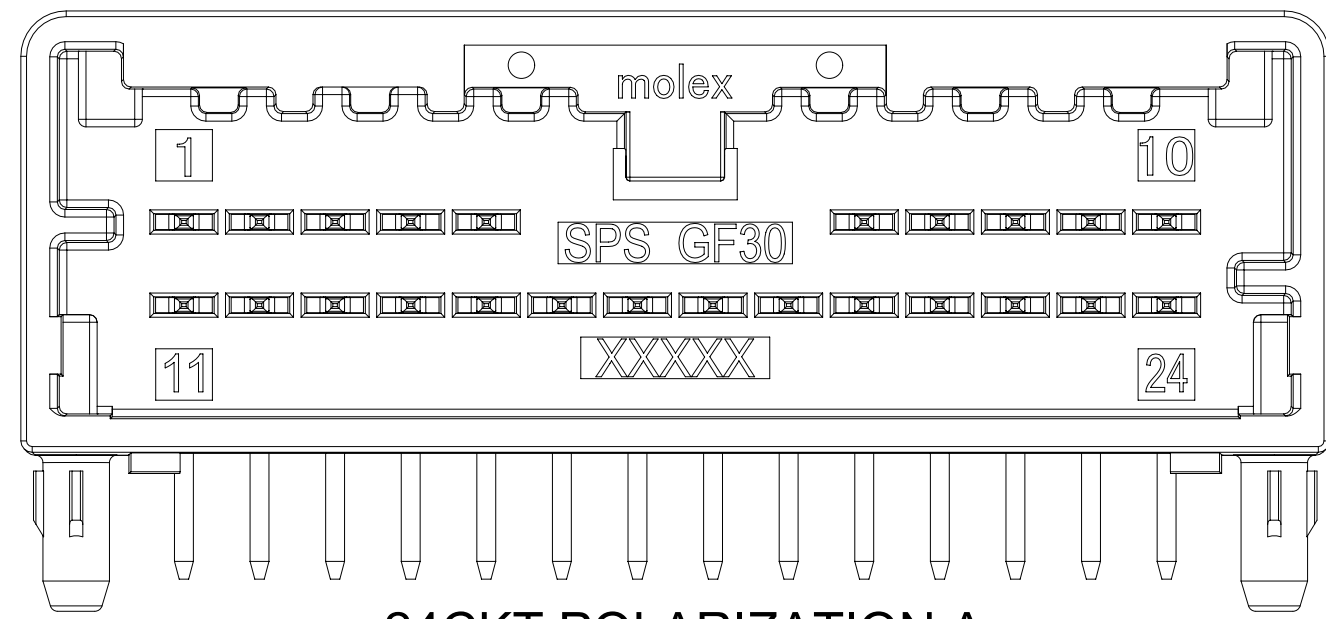
20CKT POLARIZATION A



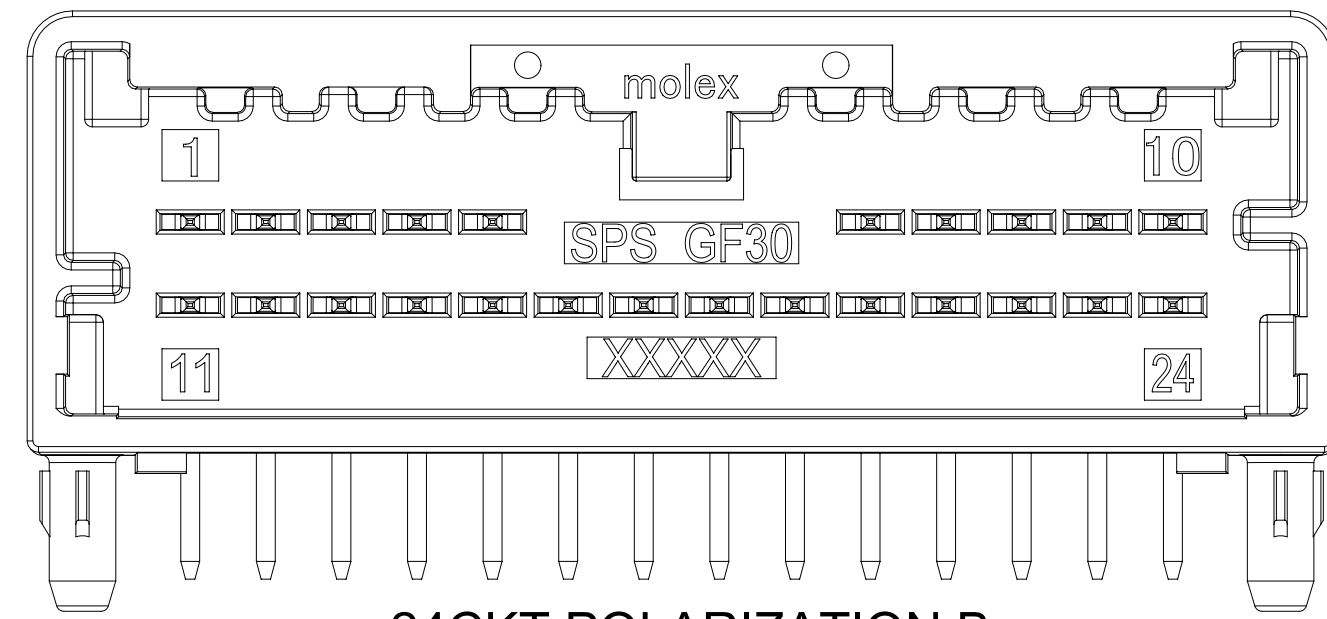
20CKT POLARIZATION B



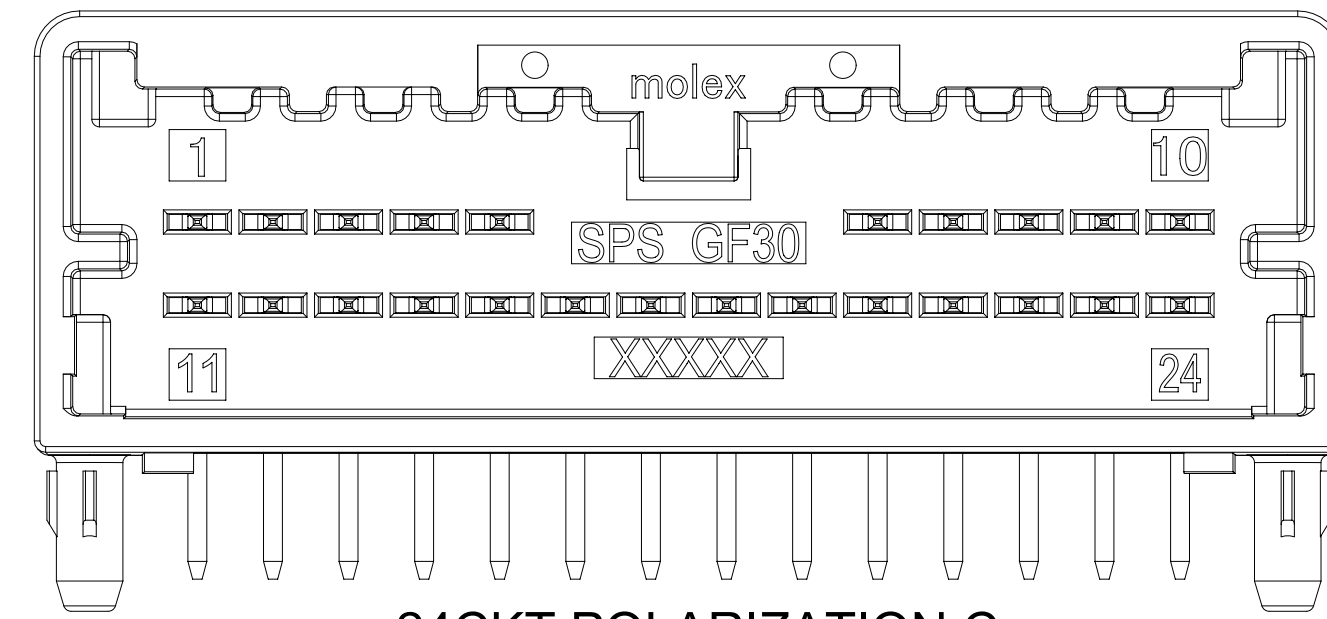
20CKT POLARIZATION C



24CKT POLARIZATION A



24CKT POLARIZATION B



24CKT POLARIZATION C

NOTES: VALID UNLESS OTHERWISE SPECIFIED

1. GENERAL:
 - a. APPLICATION SPECIFICATION SEE: AS-34791-020
 - b. PRODUCT SPECIFICATION SEE: PS-34791-020
 - c. PACKAGING SPECIFICATION PER MOLEX DRAWING: SEE CHART
 - d. SOLDERABILITY PER SMES-152
 - e. PARTS MUST BE IN COMPLIANCE TO MOLEX CHEMICAL SUBSTANCES FOR PRODUCTS AND PACKAGING SPECIFICATION: QEHS-699000-300
 - f. DATA MUST BE SUBMITTED UNDER THE MOLEX PART NUMBER TO IMDS (COMPANY ID#13255)
 - g. FLAMMABILITY REQUIREMENT: PER ISO3795 OR GM3191
 - h. VISUAL DEFECTS SHALL MEET COSMETIC STANDARD PS-45499-002 (Class B)

2. DESIGN - MATERIALS:
 - a. SHROUD (PLASTIC HOUSING): SPS 30% GF, 20% REGRIND MAX PER WEIGHT
 - b. BLADES:
 - BASE METAL: C260 BRASS
 - PLATING REQUIREMENTS:
 - TIN OVER NICKEL:
 - UNDERPLATING:
 - OVERALL NICKEL
 - OVERPLATING:
 - OVERALL TIN

3. DESIGN - GEOMETRY:
 - a. THIS IS A 100% CAD GENERATED PART. THE CAD MATHEMATICAL DATA IS THE MASTER FOR THIS PART. FOR DIMENSIONAL OR ANY INFORMATION NOT SHOWN ON THIS DRAWING, ANALYZE THE CAD MODEL.
 - b. GEOMETRIC DIMENSIONS AND TOLERANCES PER ASME Y14.5M - 2009
 - c. GENERAL TOLERANCES: SEE TITLE BLOCK
 - d. EDGES AND UNDIMENSIONED DETAILS PER ISO13715
 - e. CORNERS SHOWN AS SHARP TO BE R 0.1 MAX
 - f. LETTERING SHALL BE 0.10 MAX RAISED. THIS INCLUDES RECYCLING CODE, PLANT AND CAVITY ID, VENDOR ID, AND CIRCUIT ID.
 - g. USCAR INTERFACE:
 - 12 WAY: 050-U-012-2-ZXX
 - 16 WAY: 050-U-016-2-ZXX
 - 20 WAY: 050-U-020-2-ZXX
 - 24 WAY: 050-U-024-2-ZXX

H1	PAGE 1: ADDED NOTE 3g
H	DRAWING REMASTED PAGE 2: CORRECTED DUPLICATE DIM 19 UPDATED DIM NUMBERING 19 & 20 TO 20 & 21 PAGE 4: ADDED 12CKT GREEN POL A TO P/N TABLE
G5	UPDATED VIEWS TO MATCH CURRENT PRODUCTION. DIMS AND GEOMETRY DID NOT CHANGE
G4	ADDED PART NUMBERS: 34826-016X/816X/916X 34826-020X/820X/920X ADDED DIM D
G3	ADDED NOTE AND PIN TP
G2	UPDATED PBT PART NUMBERS
G1	NX REMASTERING
REV	DESCRIPTION

INSPECTION BALLON NUMBER LOG
PER DRAWING REVISION: H1

LAST BALLON USED: 21

ADDED BALLON NUMBERS: 19,20,21

REMOVED BALLON NUMBERS: 1, 2, 3, 4, 5

THIS DRAWING CONTAINS INFORMATION THAT IS PROPRIETARY TO MOLEX ELECTRONIC TECHNOLOGIES, LLC AND SHOULD NOT BE USED WITHOUT WRITTEN PERMISSION

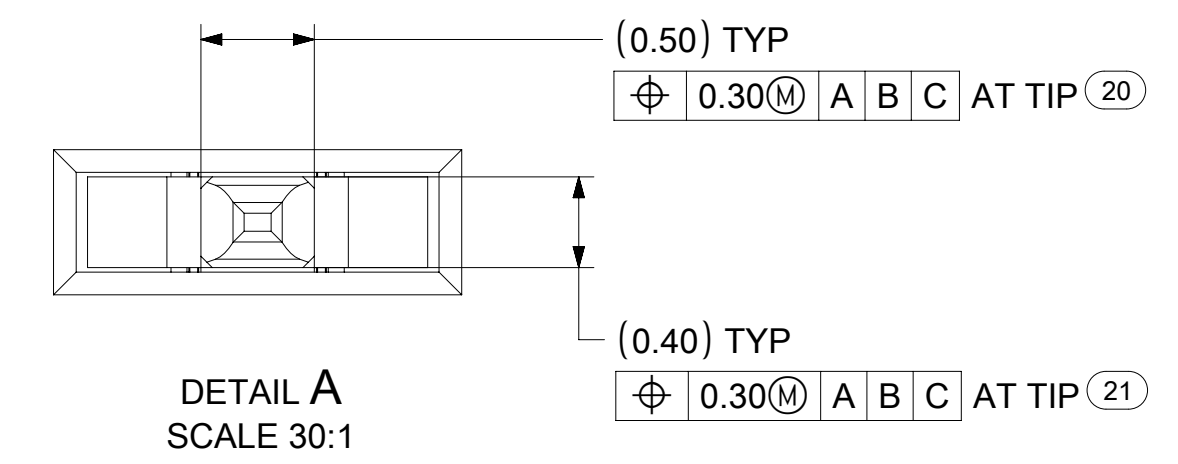
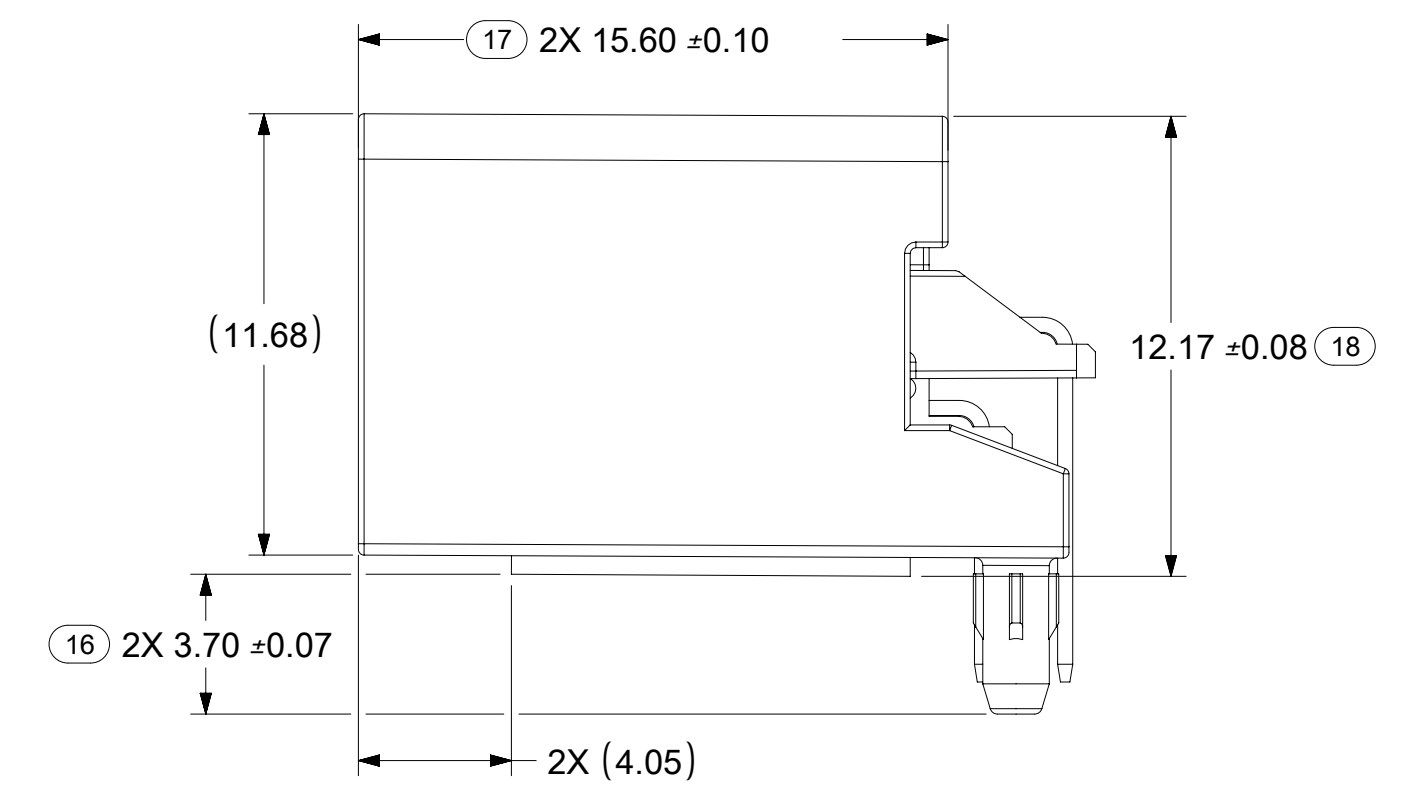
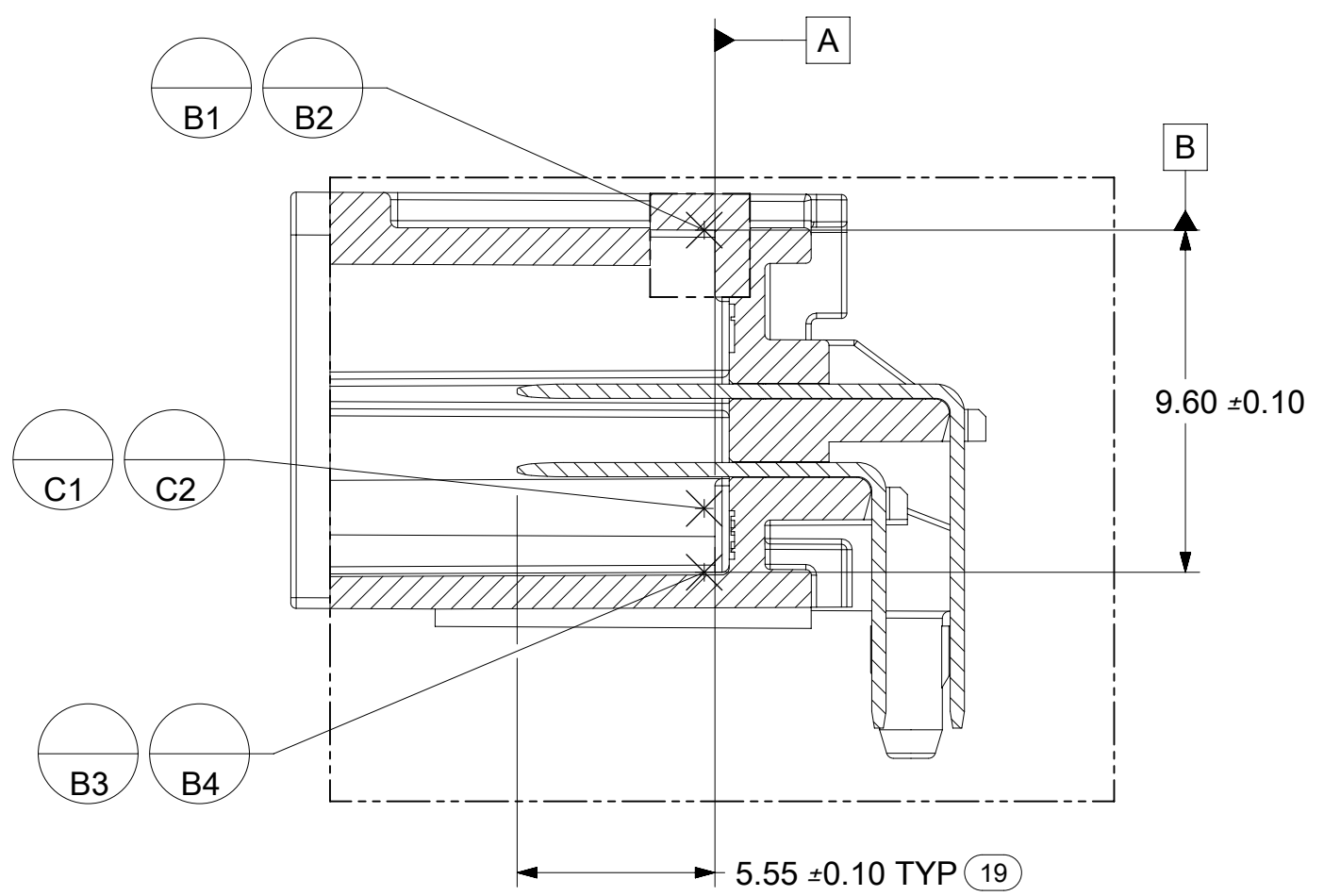
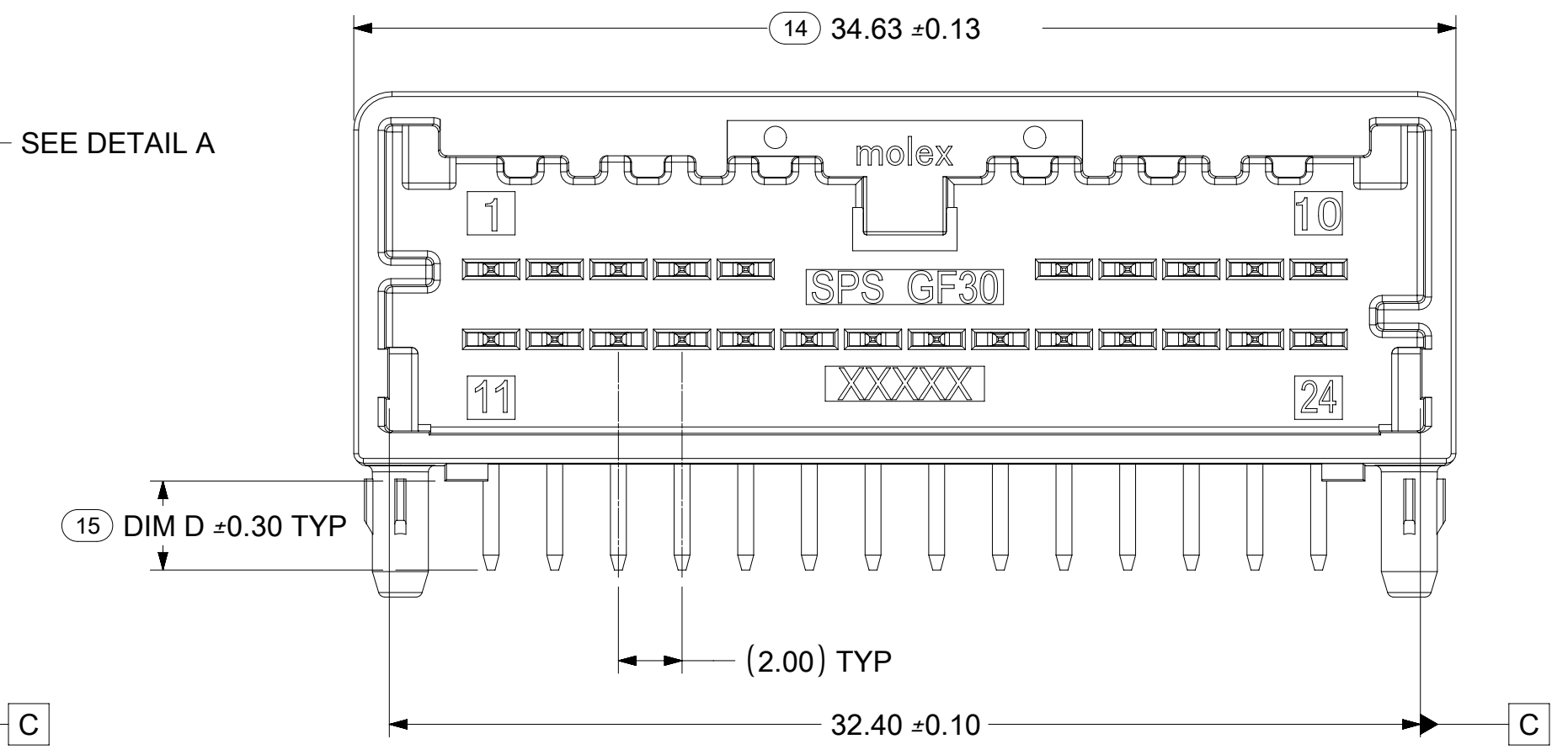
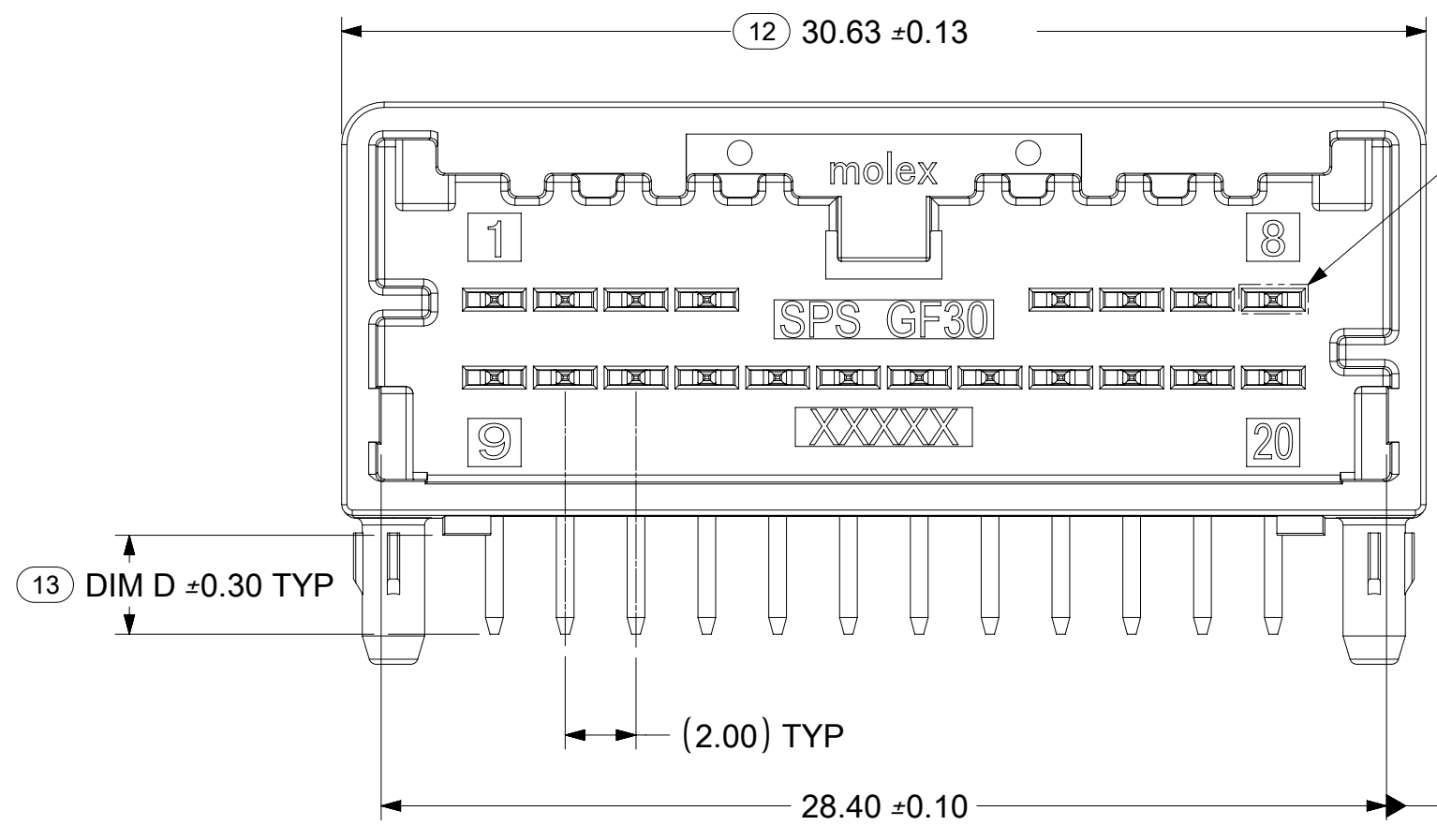
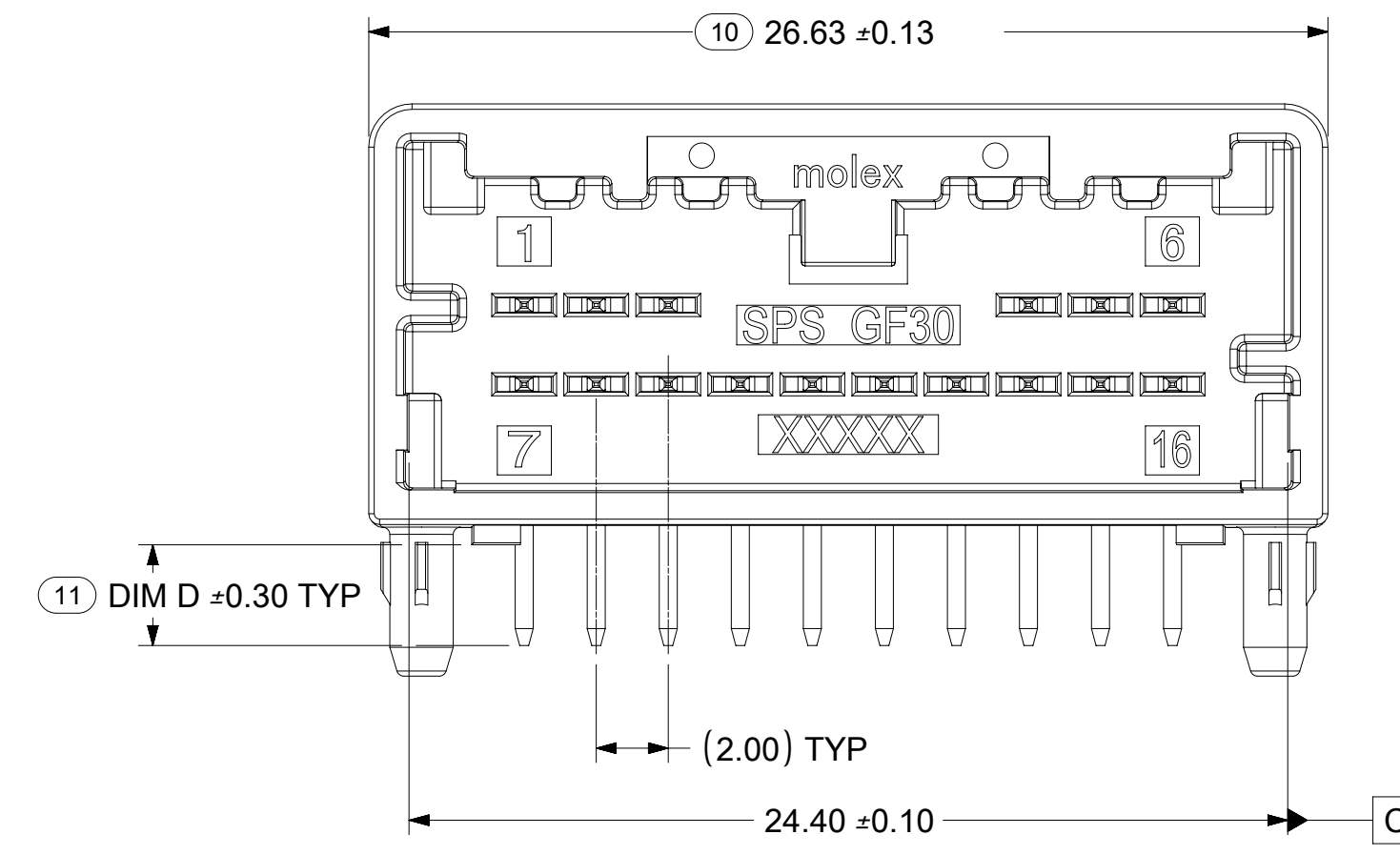
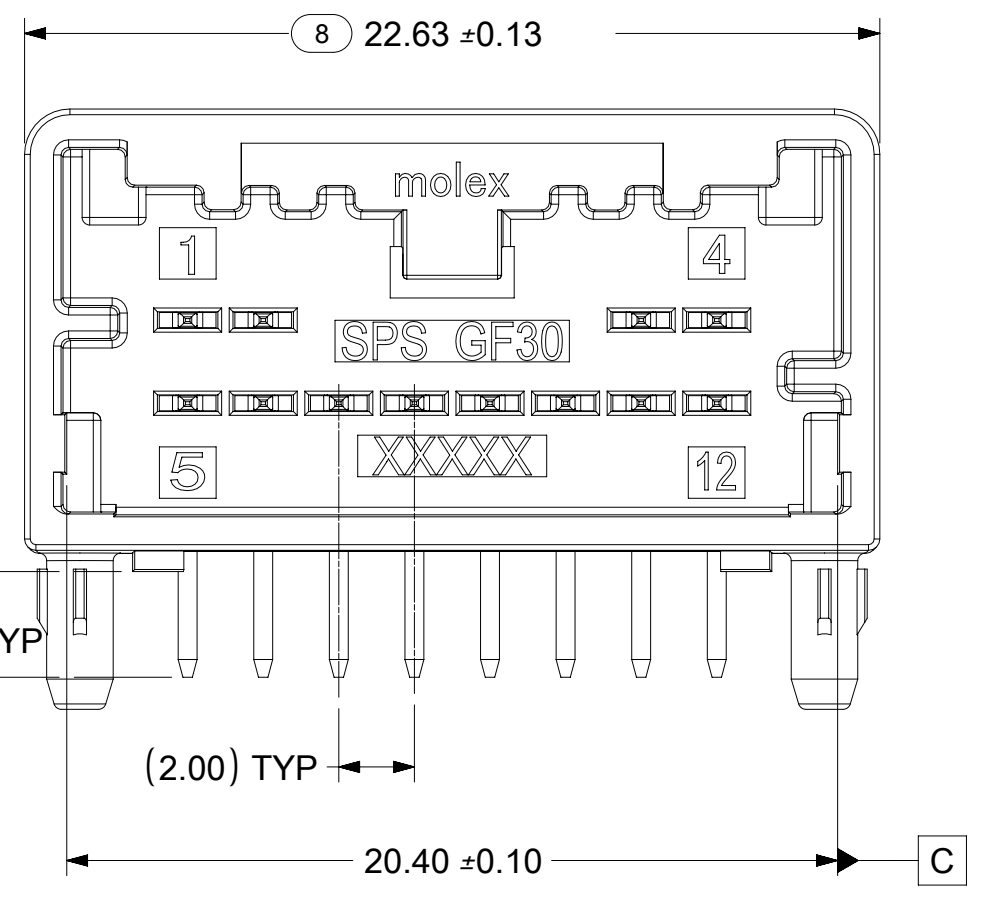
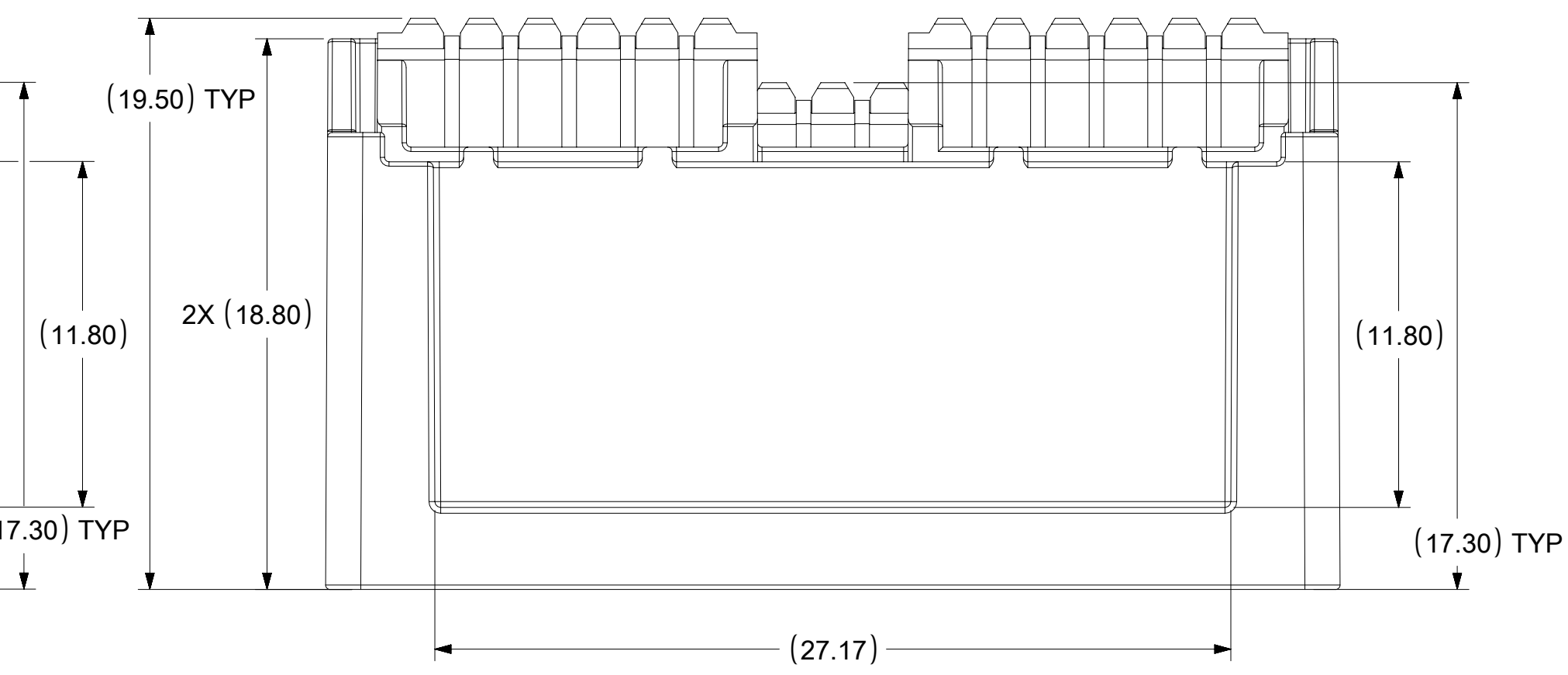
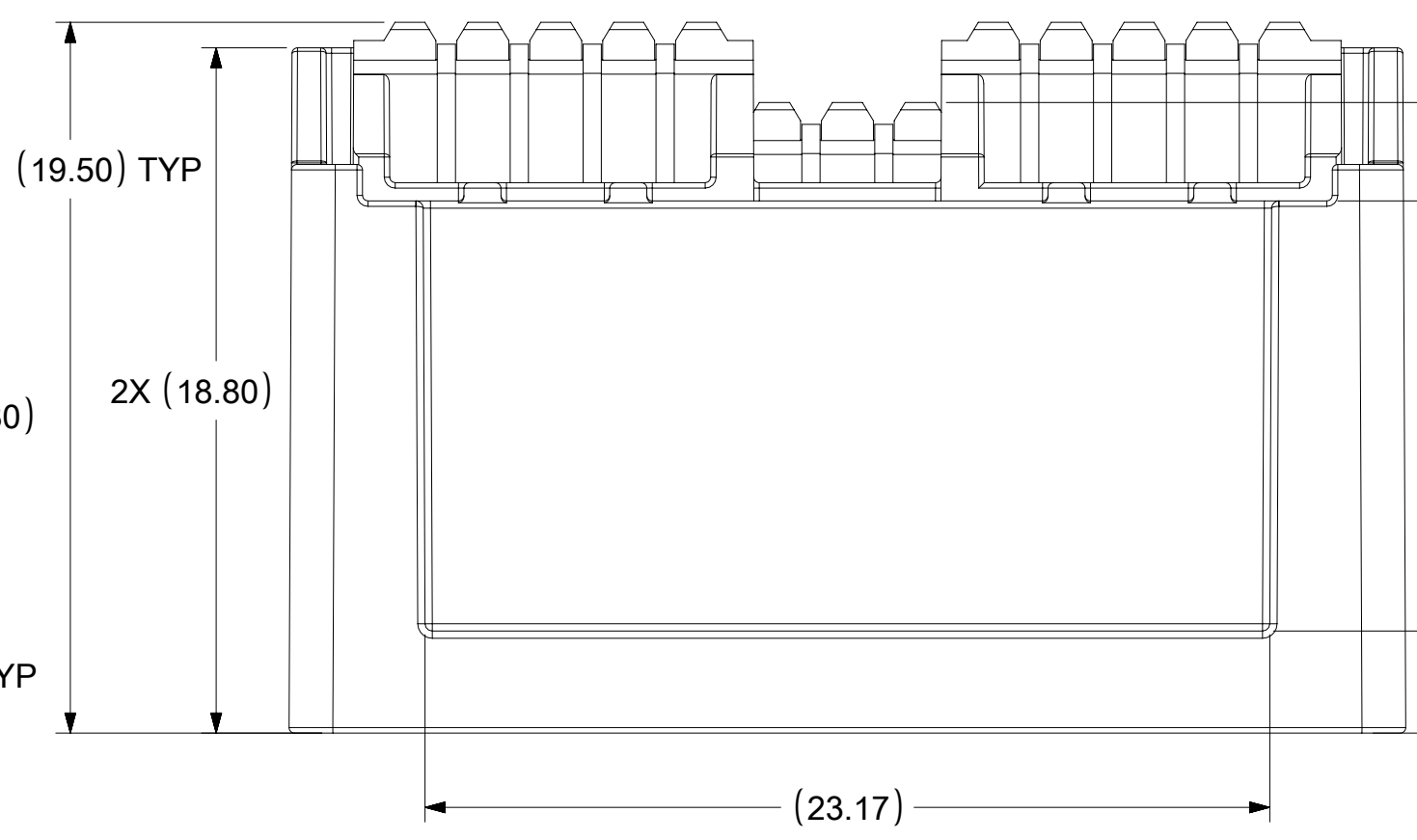
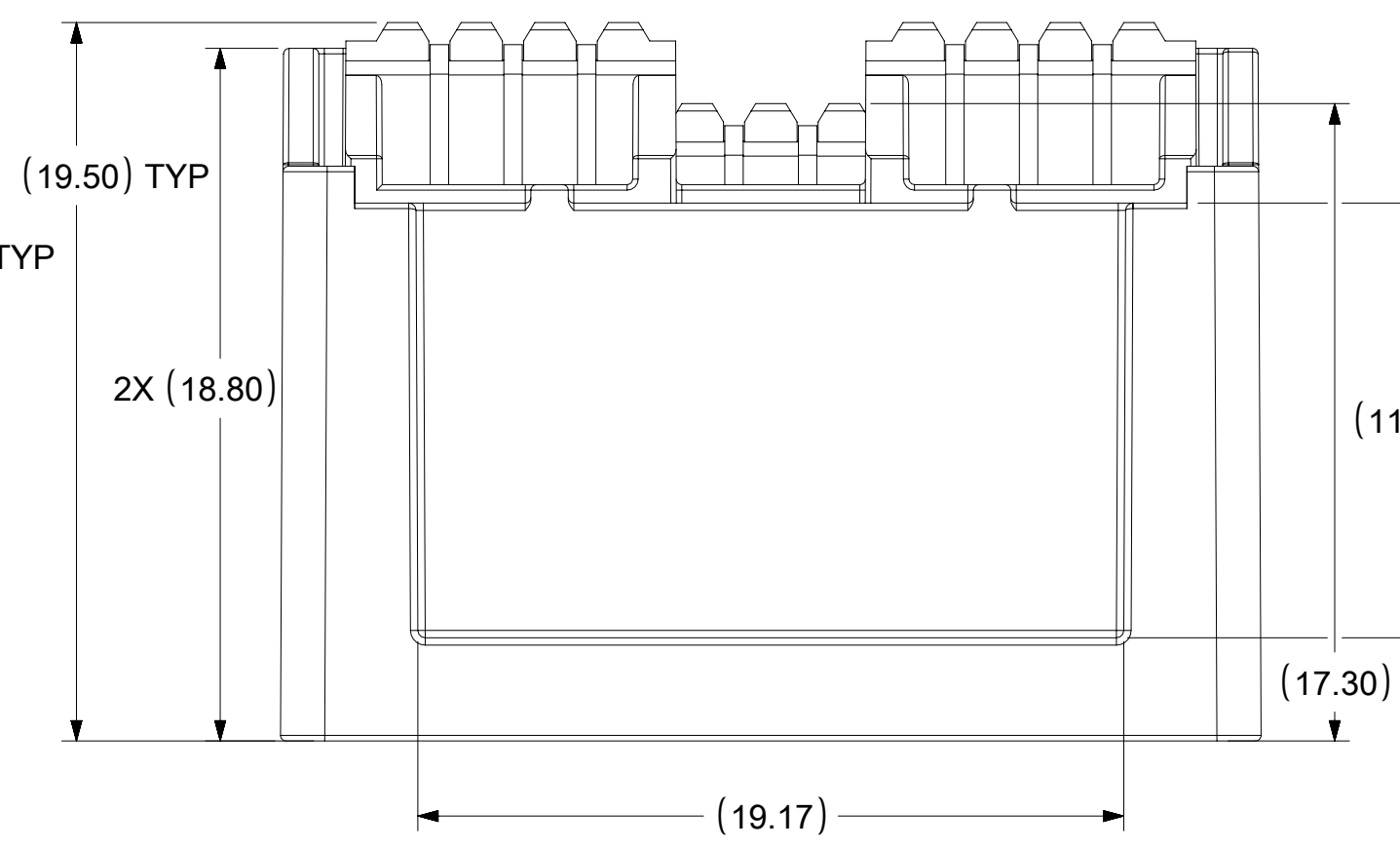
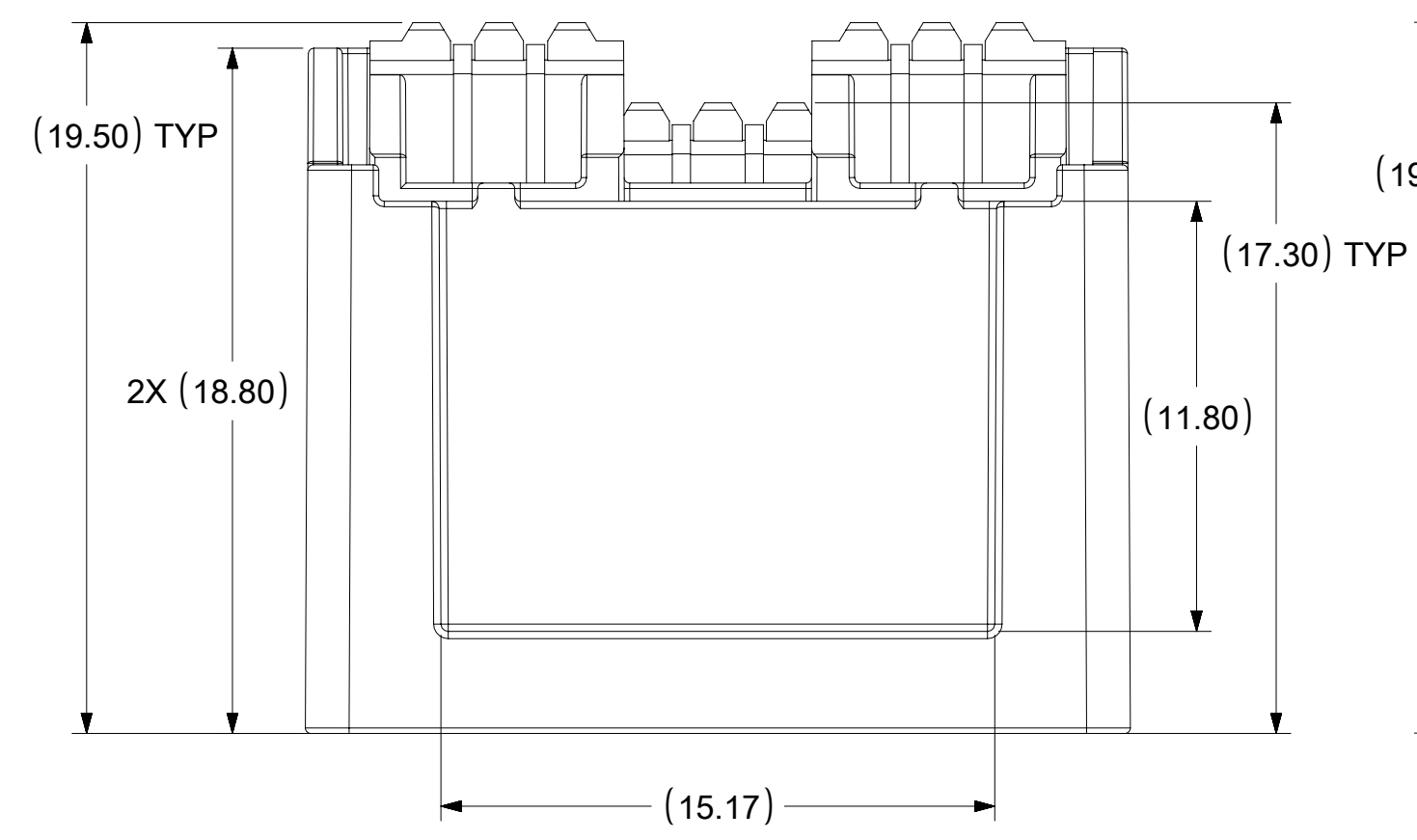
DIMENSION UNITS	SCALE	CURRENT REV DESC:				
mm	5:1					
GENERAL TOLERANCES (UNLESS SPECIFIED)		EC NO: 638407		MINI50 12-24CKT R/A SALES DRAWING PRODUCT CUSTOMER DRAWING		
ANGULAR TOL	± °	DRWN: KHEWITT 2020/05/27				
4 PLACES	±	CHK'D: SRUSS 2020/05/27		DOCUMENT NUMBER: SD-34826-001 DOC TYPE: PSD DOC PART: 001 REVISION: H1		
3 PLACES	±	APPR: JDUNAJ 2020/05/28				
2 PLACES	±	INITIAL REVISION:		MATERIAL NUMBER: 34826 CUSTOMER: GENERAL MARKET SHEET NUMBER: 1 OF 5		
1 PLACE	±	DRWN: TMACHUGA 2011/11/22				
0 PLACES	±	APPR: SMARCEAU 2011/12/12		DRAFT WHERE APPLICABLE MUST REMAIN WITHIN DIMENSIONS		
		THIRD ANGLE PROJECTION	DRAWING			

12 CIRCUIT

16 CIRCUIT

20 CIRCUIT

24 CIRCUIT



THIS DRAWING CONTAINS INFORMATION THAT IS PROPRIETARY TO MOLEX ELECTRONIC TECHNOLOGIES, LLC AND SHOULD NOT BE USED WITHOUT WRITTEN PERMISSION

DIMENSION UNITS	SCALE	CURRENT REV DESC:	
mm	5:1		
GENERAL TOLERANCES (UNLESS SPECIFIED)		EC NO: 638407	
ANGULAR TOL	± °	DRWN: KHEWITT	2020/05/27
4 PLACES	±	CHK'D: SRUSS	2020/05/27
3 PLACES	±	APPR: JDUNAJ	2020/05/28
2 PLACES	±	INITIAL REVISION:	
1 PLACE	±	DRWN: TMACHUGA	2011/11/22
0 PLACES	±	APPR: SMARCEAU	2011/12/12
DRAFT WHERE APPLICABLE MUST REMAIN WITHIN DIMENSIONS	THIRD ANGLE PROJECTION	DRAWING	SERIES
		D-SIZE	34826

molex			
MINI50 12-24CKT R/A SALES DRAWING			
PRODUCT CUSTOMER DRAWING			
DOCUMENT NUMBER	DOC TYPE	DOC PART	REVISION
SD-34826-001	PSD	001	H1
MATERIAL NUMBER	CUSTOMER	SHEET NUMBER	
	GENERAL MARKET	2 OF 5	

DOCUMENT STATUS	P1	RELEASE DATE	2020/05/28	19:13:50
-----------------	----	--------------	------------	----------

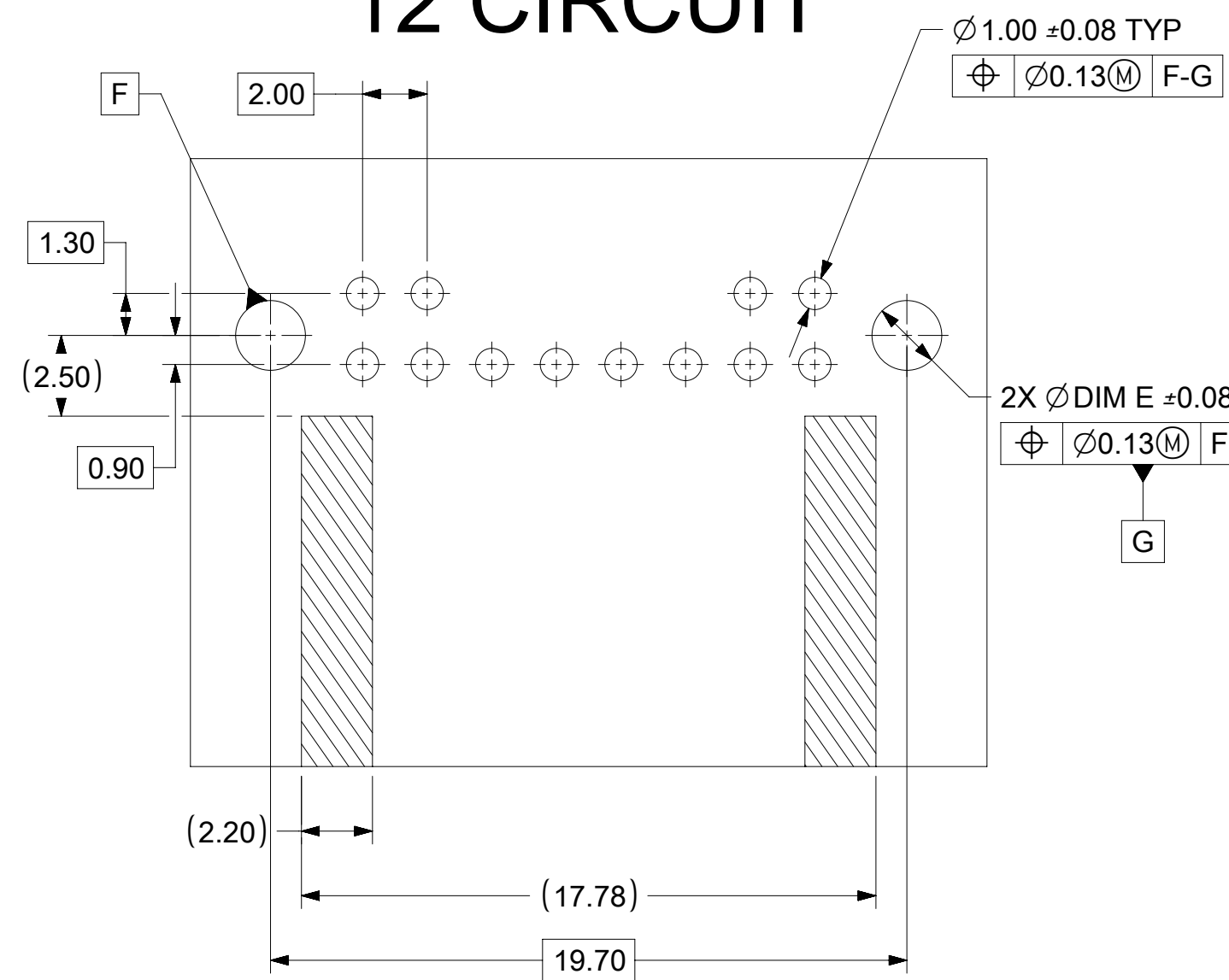
PCB LAYOUT

BOARD SHOWN FOR REFERENCE ONLY

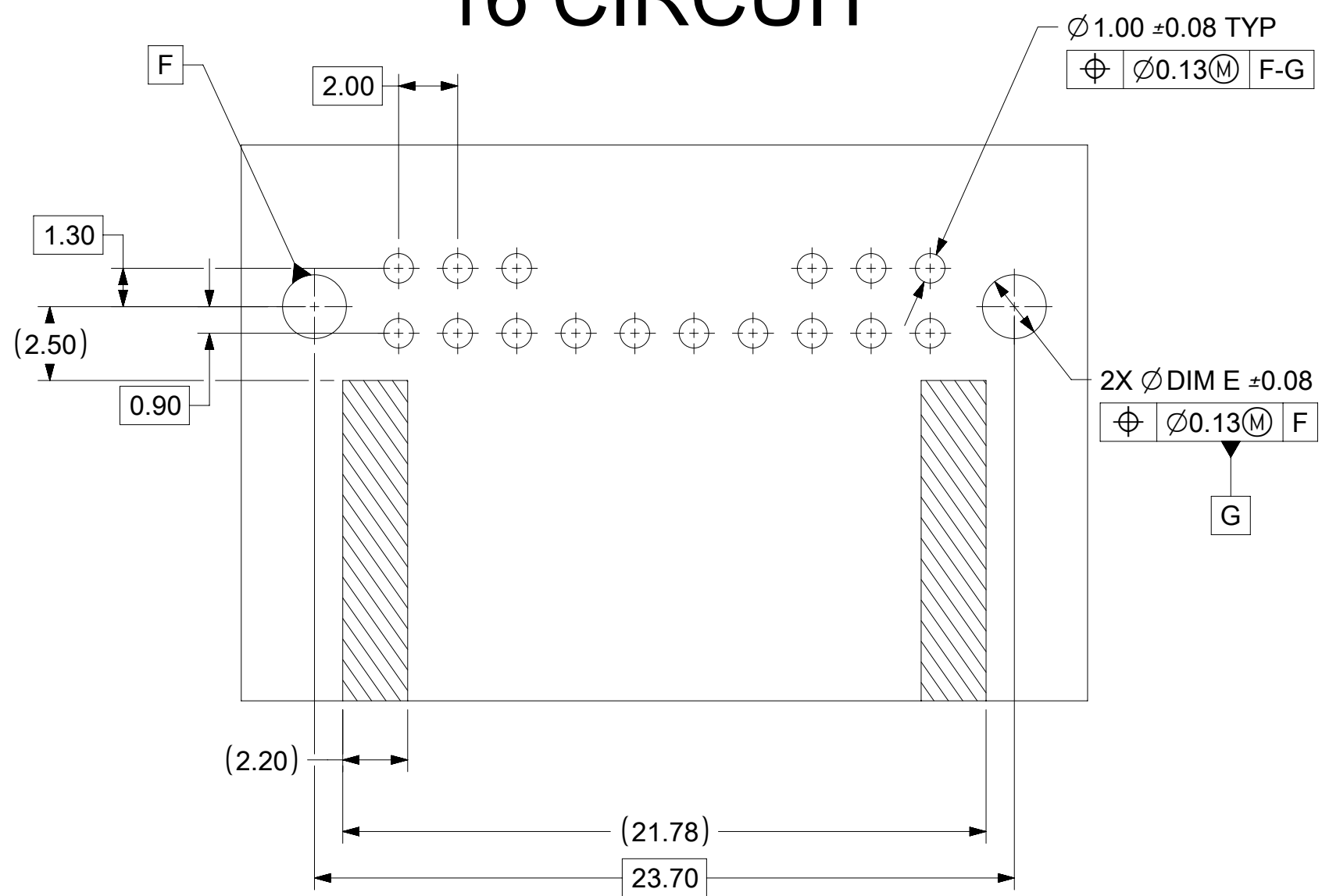
POST HOLE TABLE

	DIM E
PRESS FIT	2.15
DROP IN	2.55

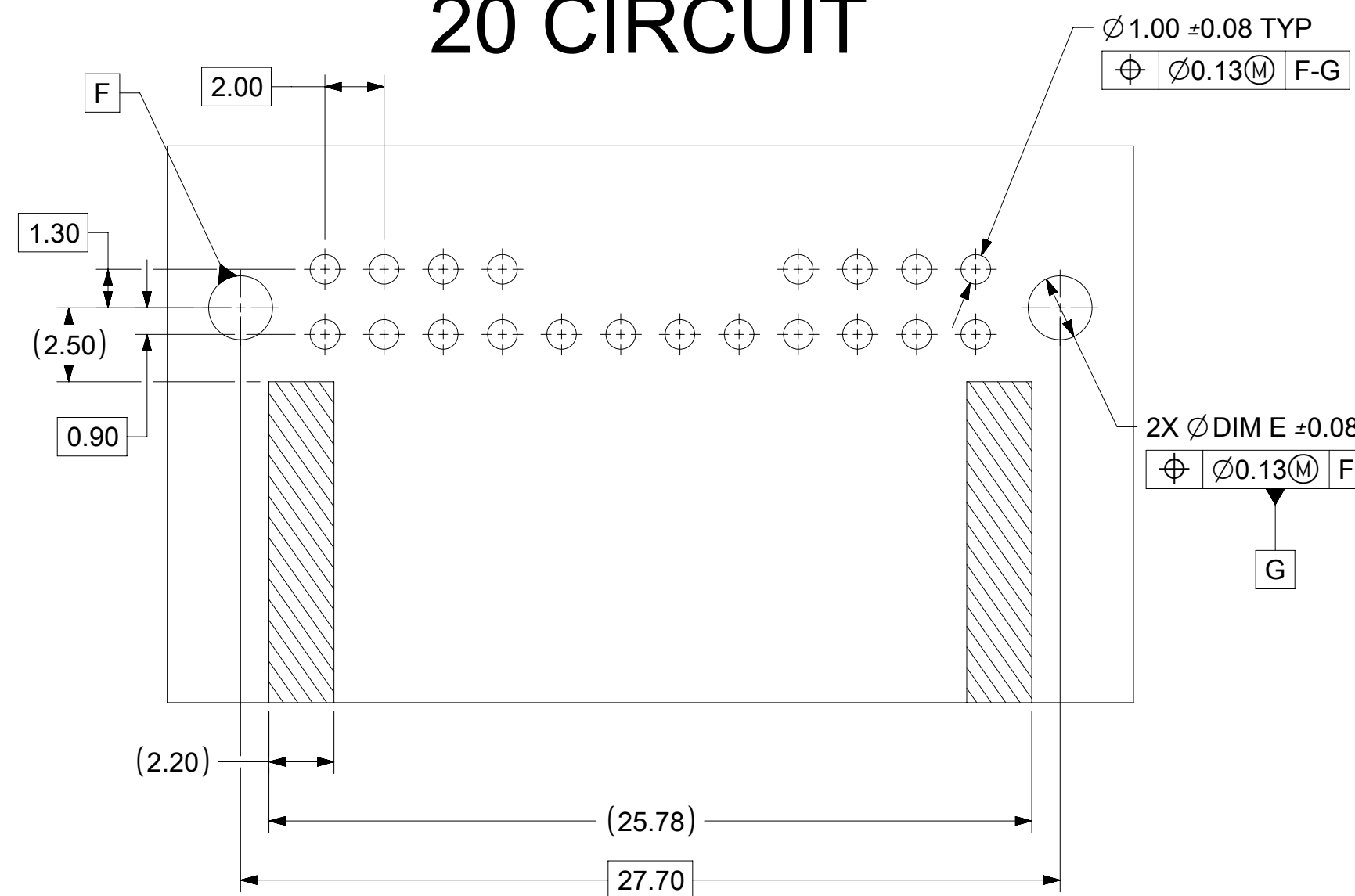
12 CIRCUIT



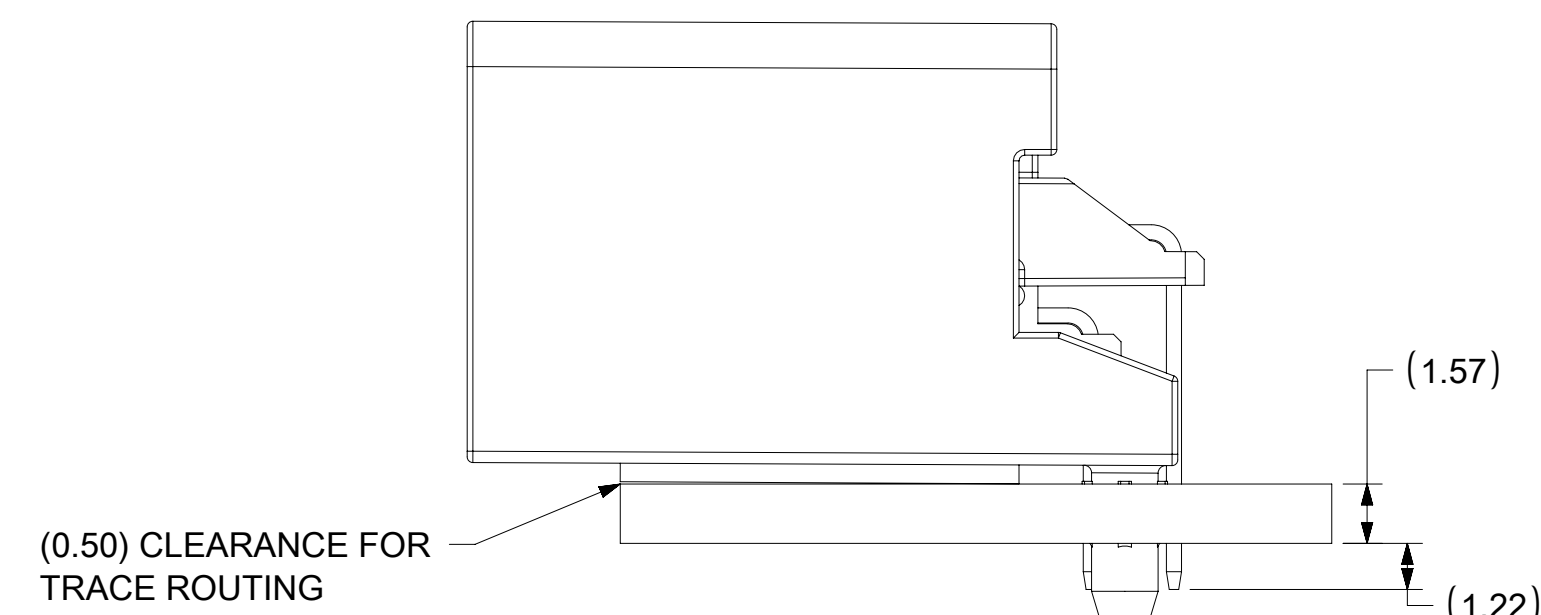
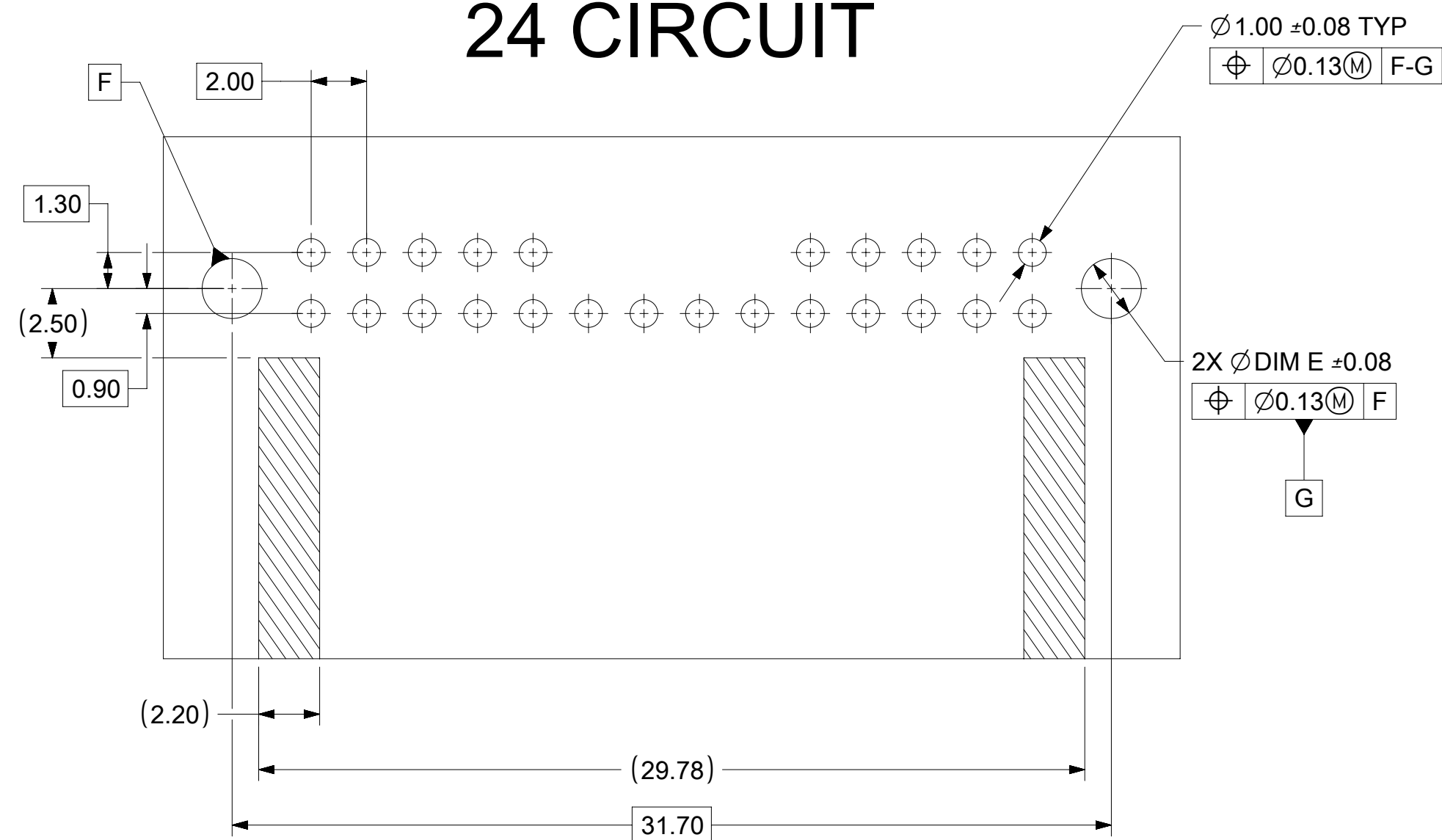
16 CIRCUIT



20 CIRCUIT



24 CIRCUIT


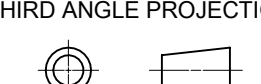


THIS DRAWING CONTAINS INFORMATION THAT IS PROPRIETARY TO MOLEX ELECTRONIC TECHNOLOGIES, LLC AND SHOULD NOT BE USED WITHOUT WRITTEN PERMISSION									
DIMENSION UNITS		SCALE		CURRENT REV DESC:				molex	
mm		5:1							
GENERAL TOLERANCES (UNLESS SPECIFIED)				EC NO: 638407		2020/05/27		MINI50 12-24CKT R/A SALES DRAWING	
ANGULAR TOL ± °				DRWN: KHEWITT		2020/05/27		PRODUCT CUSTOMER DRAWING	
4 PLACES ±				CHK'D: SRUSS		2020/05/28		DOCUMENT NUMBER	
3 PLACES ±				APPR: JDUNAJ		2020/05/28		DOC TYPE	
2 PLACES ±				INITIAL REVISION:				DOC PART	
1 PLACE ±				DRWN: TMACHUGA		2011/11/22		REVISION	
0 PLACES ±				APPR: SMARCEAU		2011/12/12		SD-34826-001	
DRAFT WHERE APPLICABLE MUST REMAIN WITHIN DIMENSIONS		THIRD ANGLE PROJECTION		DRAWING		SERIES		MATERIAL NUMBER	
		D-SIZE		34826		CUSTOMER		GENERAL MARKET	
								SHEET NUMBER	
								3 OF 5	

MINI50 RIGHT ANGLE HEADER ASSEMBLIES

MATERIAL NUMBER TAPE AND REEL PACKAGING PK-47799-0001	MATERIAL NUMBER TUBE PACKAGING PK-31301-688	MATERIAL NUMBER TRAY PACKAGING PK-31301-440	CONFIGURATION	CIRCUIT	POL	COLOR	DIM D	BLADE PLATING	*MATING RECEPTACLE - PBT MATERIAL	
									UN-BRIDGED	BRIDGED
34826-8124	34826-9124	34826-0124	USCAR	12	A	BLACK	2.80	TIN OVER NICKEL	34824-0124	34824-1124
34826-8127	34826-9127	N/A	USCAR	12	A	GREEN		TIN OVER NICKEL	34824-0124	34824-1124
34826-8125	34826-9125	34826-0125	USCAR	12	B	GRAY		TIN OVER NICKEL	34824-0125	34824-1125
34826-8126	34826-9126	34826-0126	USCAR	12	C	DARK GRAY		TIN OVER NICKEL	34824-0126	34824-1126
34826-8160	34826-9160	34826-0160	USCAR	16	A	BLACK		TIN OVER NICKEL	34824-0160	34824-1160
34826-8161	34826-9161	34826-0161	USCAR	16	B	GRAY		TIN OVER NICKEL	34824-0161	34824-1161
34826-8162	34826-9162	34826-0162	USCAR	16	C	DARK GRAY		TIN OVER NICKEL	34824-0162	34824-1162
34826-8164	34826-9164	34826-0164	USCAR	16	A	BLACK	3.30	TIN OVER NICKEL	34824-0160	34824-1160
34826-8165	34826-9165	34826-0165	USCAR	16	B	GRAY		TIN OVER NICKEL	34824-0161	34824-1161
34826-8166	34826-9166	34826-0166	USCAR	16	C	DARK GRAY		TIN OVER NICKEL	34824-0162	34824-1162
34826-8200	34826-9200	34826-0200	USCAR	20	A	BLACK	2.80	TIN OVER NICKEL	34824-0200	34824-1200
34826-8201	34826-9201	34826-0201	USCAR	20	B	GRAY		TIN OVER NICKEL	34824-0201	34824-1201
34826-8202	34826-9202	34826-0202	USCAR	20	C	DARK GRAY		TIN OVER NICKEL	34824-0202	34824-1202
34826-8204	34826-9204	34826-0204	USCAR	20	A	BLACK	3.30	TIN OVER NICKEL	34824-0200	34824-1200
34826-8205	34826-9205	34826-0205	USCAR	20	B	GRAY		TIN OVER NICKEL	34824-0201	34824-1201
34826-8206	34826-9206	34826-0206	USCAR	20	C	DARK GRAY		TIN OVER NICKEL	34824-0202	34824-1202
34826-8240	34826-9240	34826-0240	USCAR	24	A	BLACK	2.80	TIN OVER NICKEL	34824-0240	34824-1240
34826-8241	34826-9241	34826-0241	USCAR	24	B	GRAY		TIN OVER NICKEL	34824-0241	34824-1241
34826-8242	34826-9242	34826-0242	USCAR	24	C	DARK GRAY		TIN OVER NICKEL	34824-0242	34824-1242


***PLEASE NOTE RECEPTACLE MATERIAL DIFFERENCE**

THIS DRAWING CONTAINS INFORMATION THAT IS PROPRIETARY TO MOLEX ELECTRONIC TECHNOLOGIES, LLC AND SHOULD NOT BE USED WITHOUT WRITTEN PERMISSION													
DIMENSION UNITS mm		SCALE 1:1		CURRENT REV DESC:									
GENERAL TOLERANCES (UNLESS SPECIFIED)				 MINI50 12-24CKT R/A SALES DRAWING PRODUCT CUSTOMER DRAWING									
ANGULAR TOL ± °		EC NO: 638407								2020/05/27			
4 PLACES ±		DRWN: KHEWITT								2020/05/27			
3 PLACES ±		CHK'D: SRUSS								2020/05/28			
2 PLACES ±		APPR: JDUNAJ								2020/05/28			
1 PLACE ±		INITIAL REVISION:											
0 PLACES ±		DRWN: TMACHUGA				2011/11/22							
DRAFT WHERE APPLICABLE MUST REMAIN WITHIN DIMENSIONS		THIRD ANGLE PROJECTION 		DRAWING D-SIZE		SERIES 34826		DOCUMENT NUMBER SD-34826-001					
DOCUMENT STATUS P1		RELEASE DATE 2020/05/28 19:13:50		MATERIAL NUMBER GENERAL MARKET		DOC TYPE PSD		DOC PART 001					
SHEET NUMBER 4 OF 5				REVISION H1									

MINI50 RIGHT ANGLE HEADER ASSEMBLIES

MATERIAL NUMBER TAPE AND REEL PACKAGING PK-47799-0001	MATERIAL NUMBER TUBE PACKAGING PK-31301-688	MATERIAL NUMBER TRAY PACKAGING PK-31301-440	CONFIGURATION	CIRCUIT	POL	COLOR	DIM D	BLADE PLATING	*MATING RECEPTACLE - ECOPAXX MATERIAL	
									UN-BRIDGED	BRIDGED
34826-8160	34826-9160	34826-0160	USCAR	16	A	BLACK	2.80	TIN OVER NICKEL	34824-1164	34824-0164
34826-8161	34826-9161	34826-0161	USCAR	16	B	GRAY		TIN OVER NICKEL	34824-1165	34824-0165
34826-8162	34826-9162	34826-0162	USCAR	16	C	DARK GRAY		TIN OVER NICKEL	34824-1166	34824-0166
34826-8164	34826-9164	34826-0164	USCAR	16	A	BLACK	3.30	TIN OVER NICKEL	34824-1164	34824-0164
34826-8165	34826-9165	34826-0165	USCAR	16	B	GRAY		TIN OVER NICKEL	34824-1165	34824-0165
34826-8166	34826-9166	34826-0166	USCAR	16	C	DARK GRAY		TIN OVER NICKEL	34824-1166	34824-0166
34826-8200	34826-9200	34826-0200	USCAR	20	A	BLACK	2.80	TIN OVER NICKEL	34824-1204	34824-0204
34826-8201	34826-9201	34826-0201	USCAR	20	B	GRAY		TIN OVER NICKEL	34824-1205	34824-0205
34826-8202	34826-9202	34826-0202	USCAR	20	C	DARK GRAY		TIN OVER NICKEL	34824-1206	34824-0206
34826-8204	34826-9204	34826-0204	USCAR	20	A	BLACK	3.30	TIN OVER NICKEL	34824-1204	34824-0204
34826-8205	34826-9205	34826-0205	USCAR	20	B	GRAY		TIN OVER NICKEL	34824-1205	34824-0205
34826-8206	34826-9206	34826-0206	USCAR	20	C	DARK GRAY		TIN OVER NICKEL	34824-1206	34824-0206
34826-8240	34826-9240	34826-0240	USCAR	24	A	BLACK	2.80	TIN OVER NICKEL	34824-1244	34824-0244
34826-8241	34826-9241	34826-0241	USCAR	24	B	GRAY		TIN OVER NICKEL	34824-1245	34824-0245
34826-8242	34826-9242	34826-0242	USCAR	24	C	DARK GRAY		TIN OVER NICKEL	34824-1246	34824-0246

***PLEASE NOTE RECEPTACLE MATERIAL DIFFERENCE**

THIS DRAWING CONTAINS INFORMATION THAT IS PROPRIETARY TO MOLEX ELECTRONIC TECHNOLOGIES, LLC AND SHOULD NOT BE USED WITHOUT WRITTEN PERMISSION									
DIMENSION UNITS	SCALE	CURRENT REV DESC:							
mm	1:1	 MINI50 12-24CKT R/A SALES DRAWING PRODUCT CUSTOMER DRAWING							
GENERAL TOLERANCES (UNLESS SPECIFIED)									
ANGULAR TOL	± °								
4 PLACES	±								
3 PLACES	±								
2 PLACES	±								
1 PLACE	±	EC NO: 638407	2020/05/27	DRWN: KHEWITT CHK'D: SRUSS APPR: JDUNAJ					
0 PLACES	±	INITIAL REVISION:	2020/05/28						
DRAFT WHERE APPLICABLE MUST REMAIN WITHIN DIMENSIONS		THIRD ANGLE PROJECTION	DRAWING						
DRWN: TMACHUGA	2011/11/22	SERIES		MATERIAL NUMBER		CUSTOMER		SHEET NUMBER	
APPR: SMARCEAU	2011/12/12	D-SIZE		34826		GENERAL MARKET		5 OF 5	
DOCUMENT STATUS	P1	RELEASE DATE	2020/05/28 19:13:50						