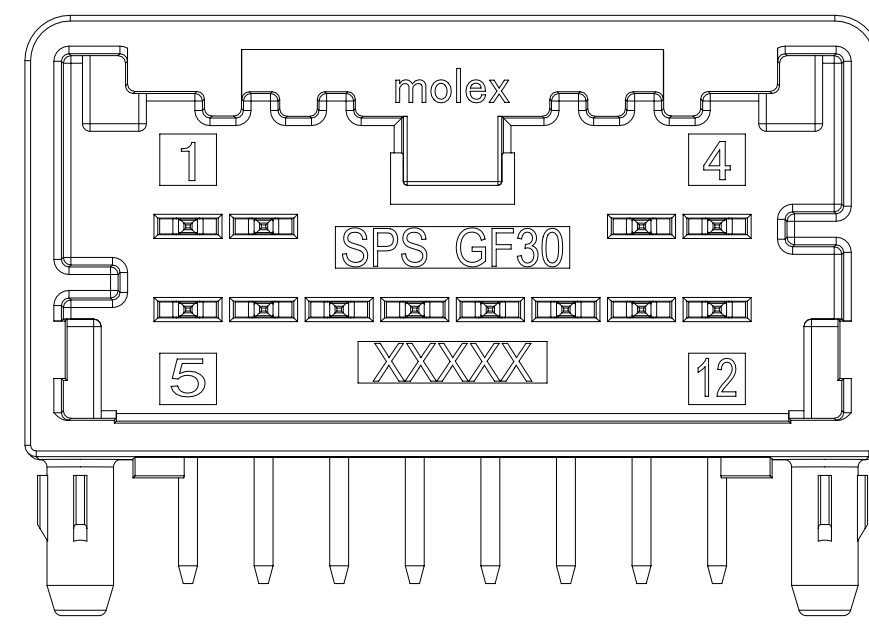
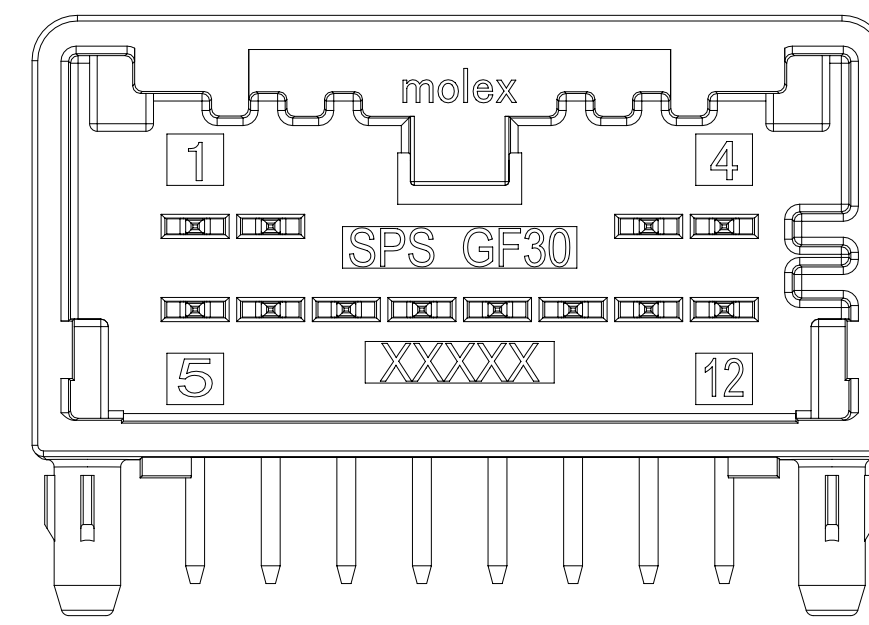


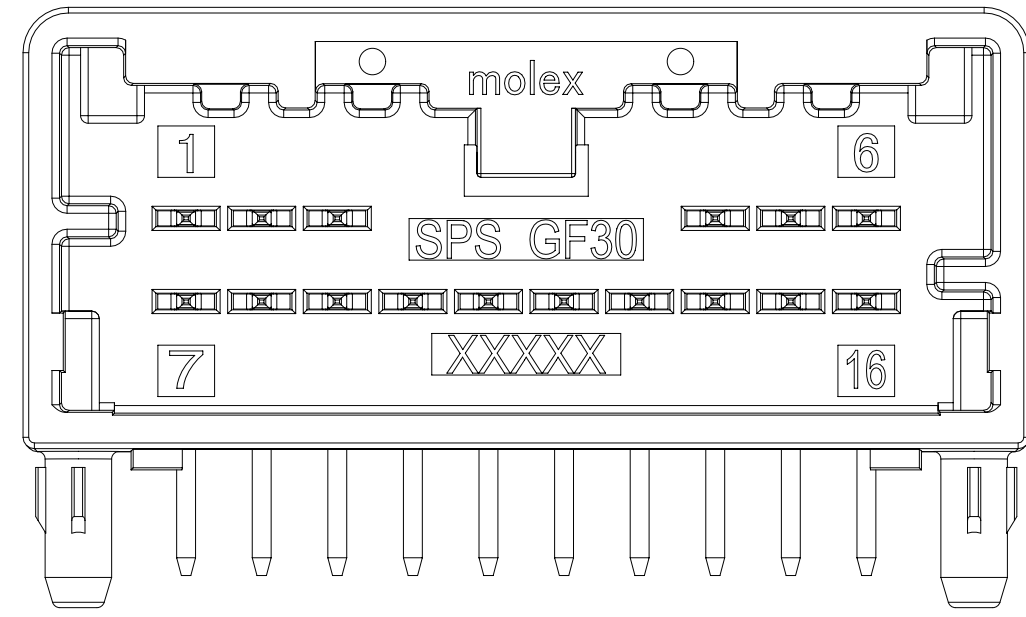
12CKT POLARIZATION A



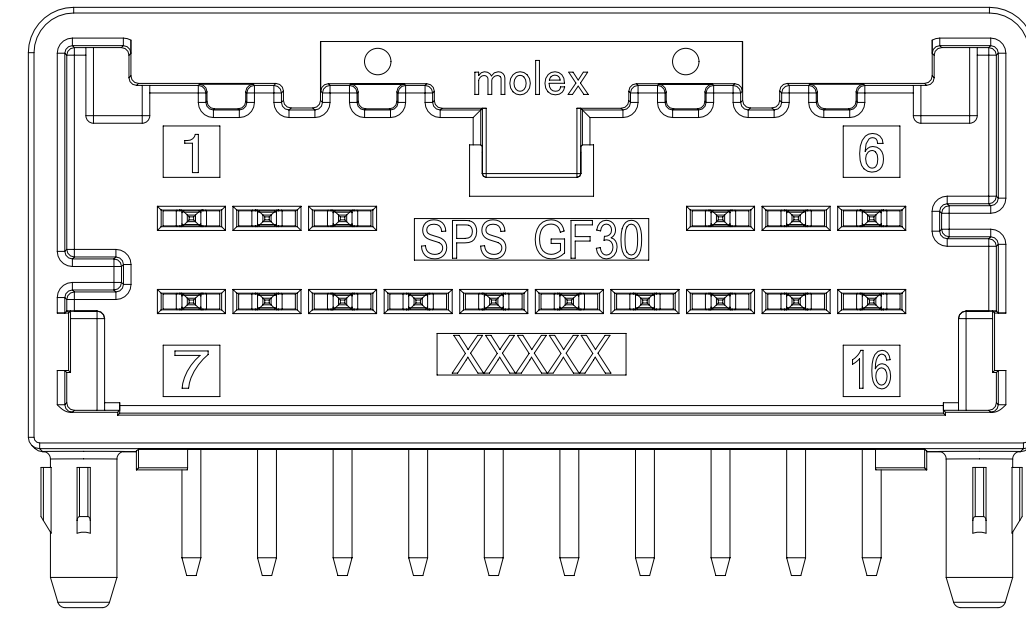
12CKT POLARIZATION B



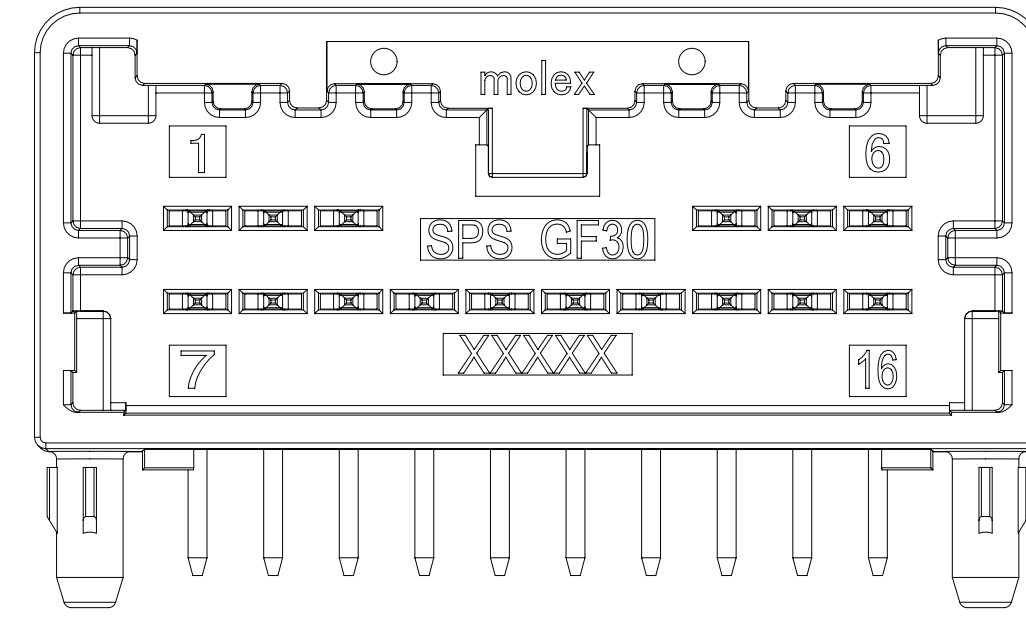
12CKT POLARIZATION C



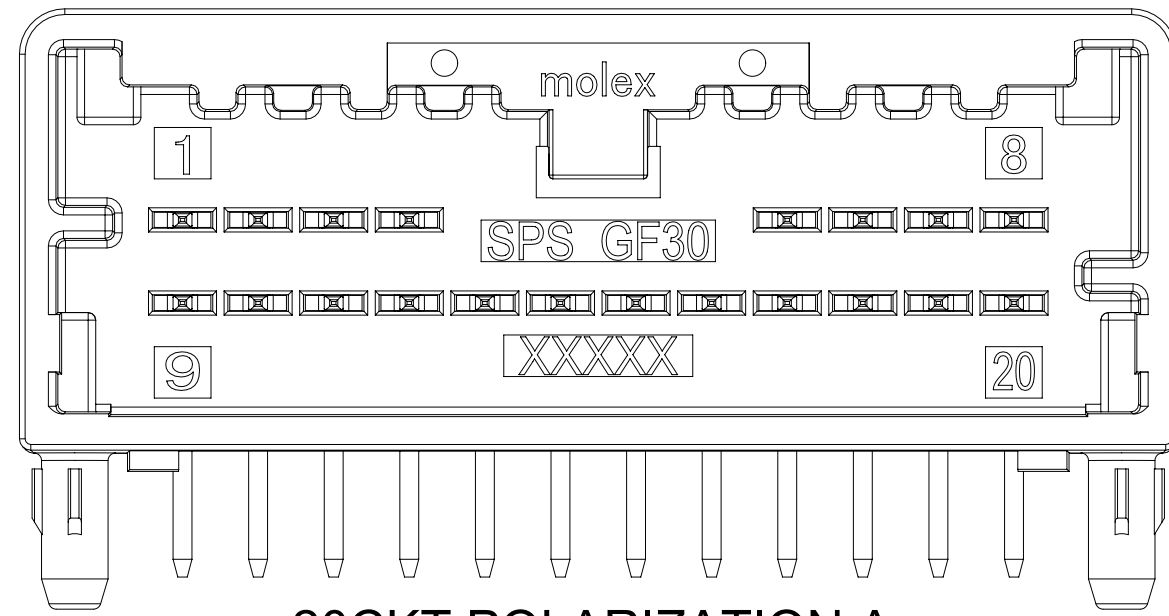
16CKT POLARIZATION A



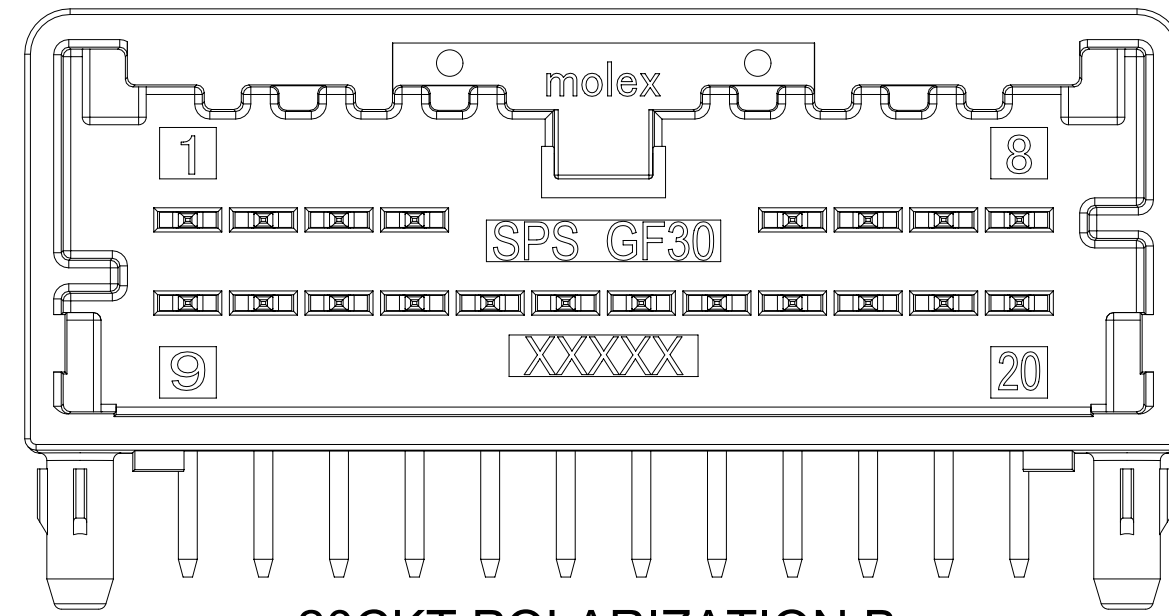
16CKT POLARIZATION B



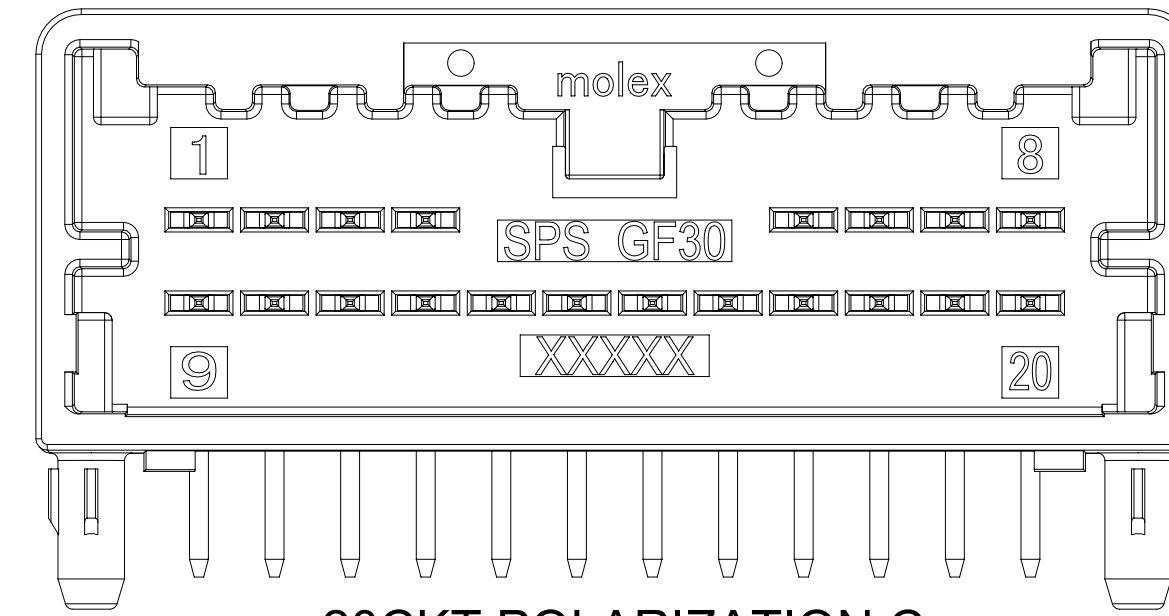
16CKT POLARIZATION C



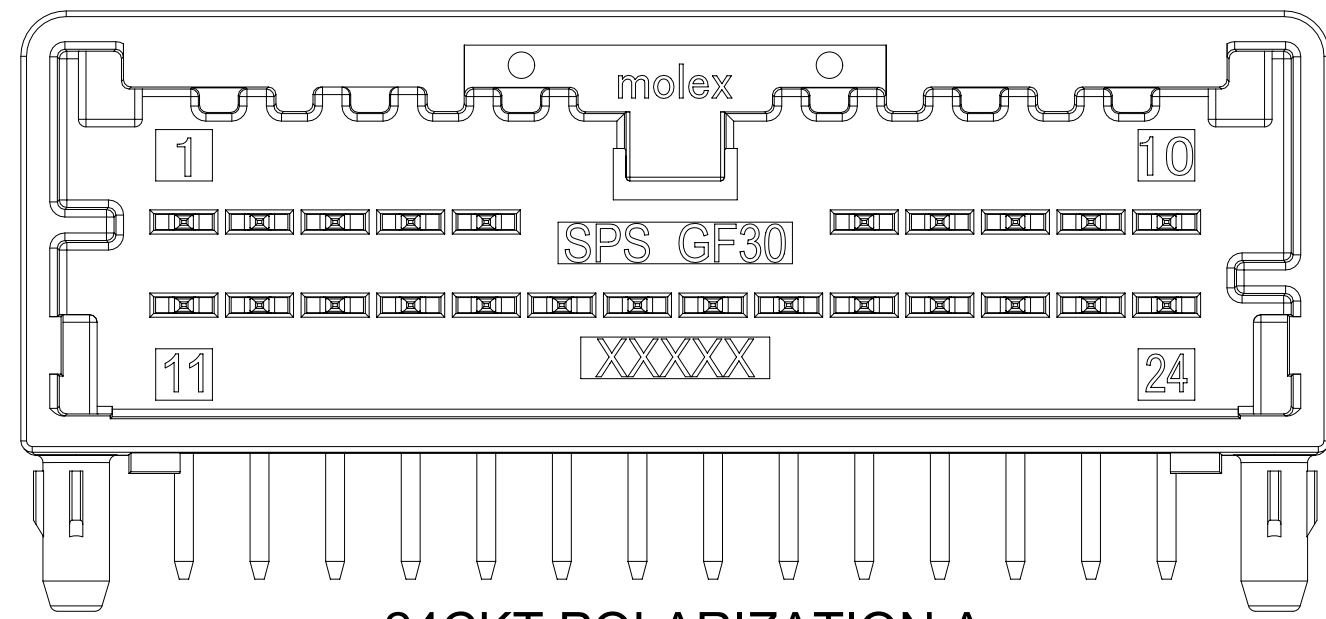
20CKT POLARIZATION A



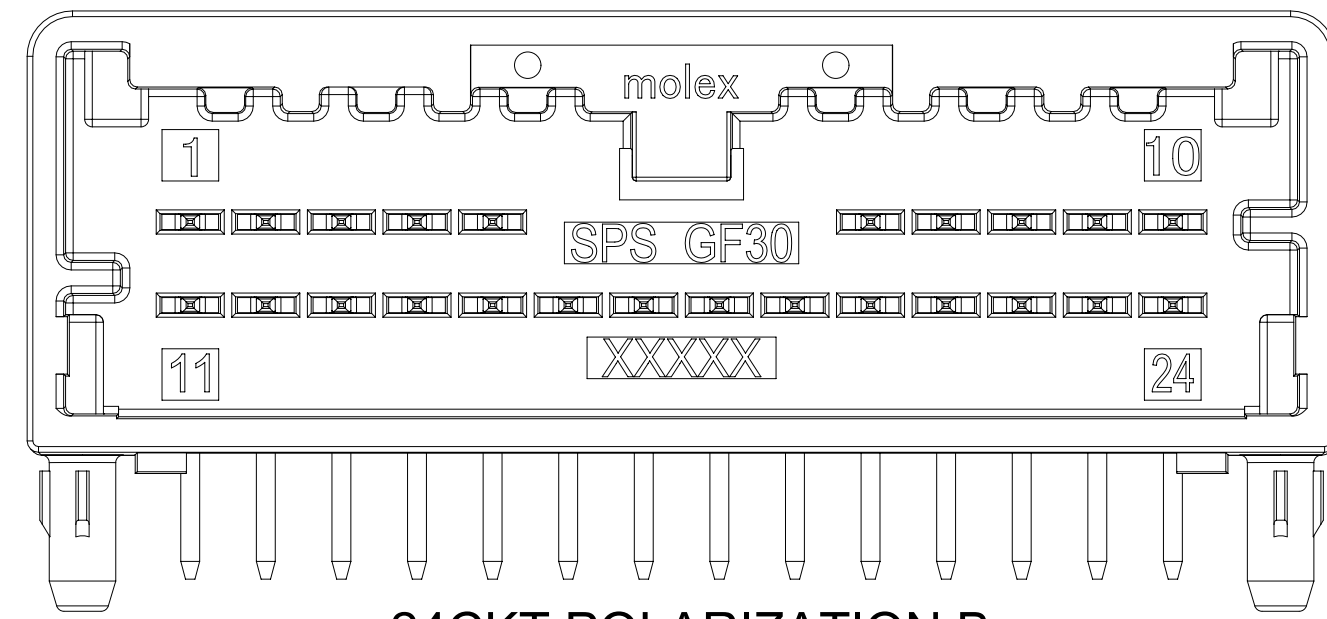
20CKT POLARIZATION B



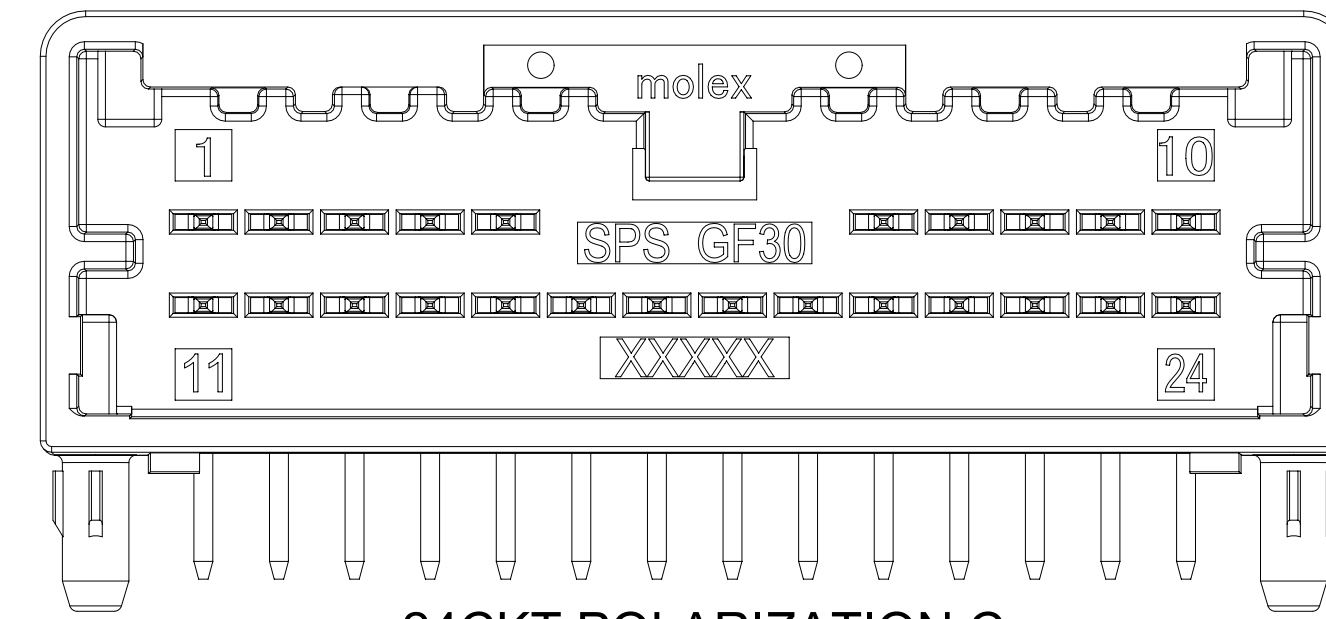
20CKT POLARIZATION C



24CKT POLARIZATION A



24CKT POLARIZATION B



24CKT POLARIZATION C

NOTES: VALID UNLESS OTHERWISE SPECIFIED

1. GENERAL:
  - a. APPLICATION SPECIFICATION SEE: AS-34791-020
  - b. PRODUCT SPECIFICATION SEE: PS-34791-020
  - c. PACKAGING SPECIFICATION PER MOLEX DRAWING: SEE CHART
  - d. SOLDERABILITY PER SMES-152
  - e. PARTS MUST BE IN COMPLIANCE TO MOLEX CHEMICAL SUBSTANCES FOR PRODUCTS AND PACKAGING SPECIFICATION: QEHS-699000-300
  - f. DATA MUST BE SUBMITTED UNDER THE MOLEX PART NUMBER TO IMDS (COMPANY ID#13255)
  - g. FLAMMABILITY REQUIREMENT: PER ISO3795 OR GM3191
  - h. VISUAL DEFECTS SHALL MEET COSMETIC STANDARD PS-45499-002 (Class B)

2. DESIGN - MATERIALS:
  - a. SHROUD (PLASTIC HOUSING): SPS 30% GF, 20% REGRIND MAX PER WEIGHT
  - b. BLADES:
    - BASE METAL: C260 BRASS
    - PLATING REQUIREMENTS:
      - TIN OVER NICKEL:
      - UNDERPLATING:
      - OVERALL NICKEL
      - OVERPLATING:
      - OVERALL TIN

3. DESIGN - GEOMETRY:
  - a. THIS IS A 100% CAD GENERATED PART. THE CAD MATHEMATICAL DATA IS THE MASTER FOR THIS PART. FOR DIMENSIONAL OR ANY INFORMATION NOT SHOWN ON THIS DRAWING, ANALYZE THE CAD MODEL.
  - b. GEOMETRIC DIMENSIONS AND TOLERANCES PER ASME Y14.5M - 2009
  - c. GENERAL TOLERANCES: SEE TITLE BLOCK
  - d. EDGES AND UNDIMENSIONED DETAILS PER ISO13715
  - e. CORNERS SHOWN AS SHARP TO BE R 0.1 MAX
  - f. LETTERING SHALL BE 0.10 MAX RAISED. THIS INCLUDES RECYCLING CODE, PLANT AND CAVITY ID, VENDOR ID, AND CIRCUIT ID.
  - g. USCAR INTERFACE:
    - 12 WAY: 050-U-012-2-ZXX
    - 16 WAY: 050-U-016-2-ZXX
    - 20 WAY: 050-U-020-2-ZXX
    - 24 WAY: 050-U-024-2-ZXX

H1	PAGE 1: ADDED NOTE 3g
H	DRAWING REMASTED PAGE 2: CORRECTED DUPLICATE DIM 19 UPDATED DIM NUMBERING 19 & 20 TO 20 & 21 PAGE 4: ADDED 12CKT GREEN POL A TO P/N TABLE
G5	UPDATED VIEWS TO MATCH CURRENT PRODUCTION. DIMS AND GEOMETRY DID NOT CHANGE
G4	ADDED PART NUMBERS: 34826-016X/816X/916X 34826-020X/820X/920X ADDED DIM D
G3	ADDED NOTE AND PIN TP
G2	UPDATED PBT PART NUMBERS
G1	NX REMASTERING
REV	DESCRIPTION

INSPECTION BALLON NUMBER LOG  
PER DRAWING REVISION: H1

LAST BALLON USED: 21

ADDED BALLON NUMBERS: 19,20,21

REMOVED BALLON NUMBERS: 1, 2, 3, 4, 5

THIS DRAWING CONTAINS INFORMATION THAT IS PROPRIETARY TO MOLEX ELECTRONIC TECHNOLOGIES, LLC AND SHOULD NOT BE USED WITHOUT WRITTEN PERMISSION

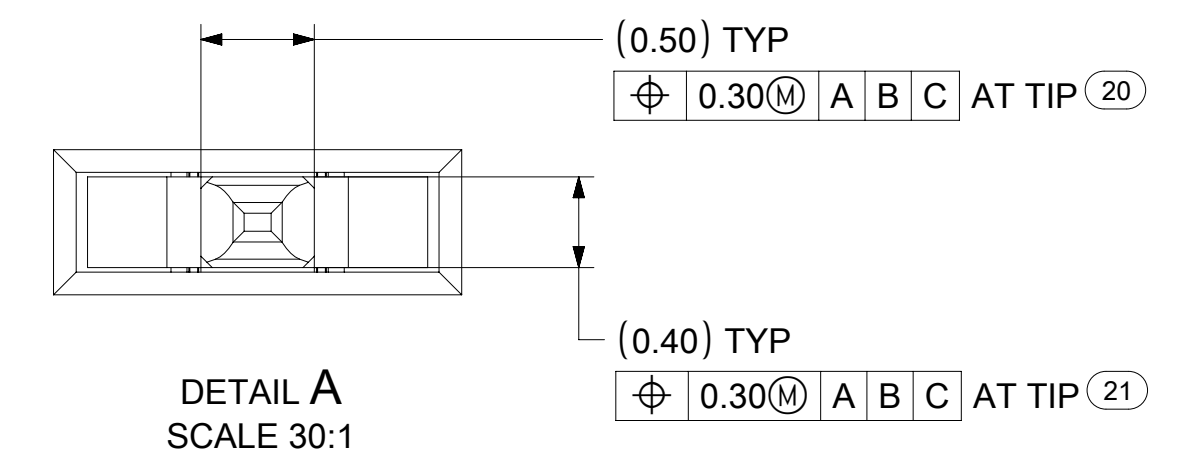
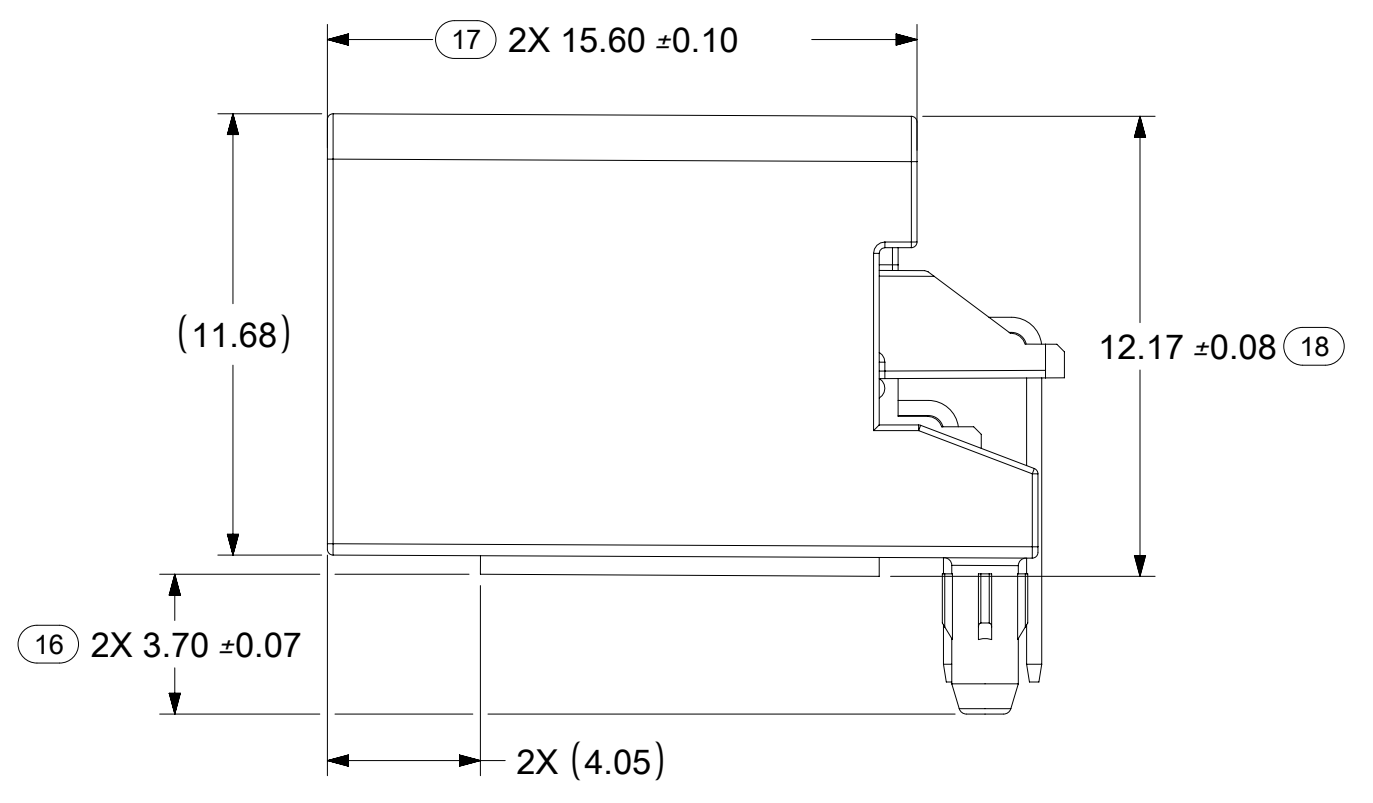
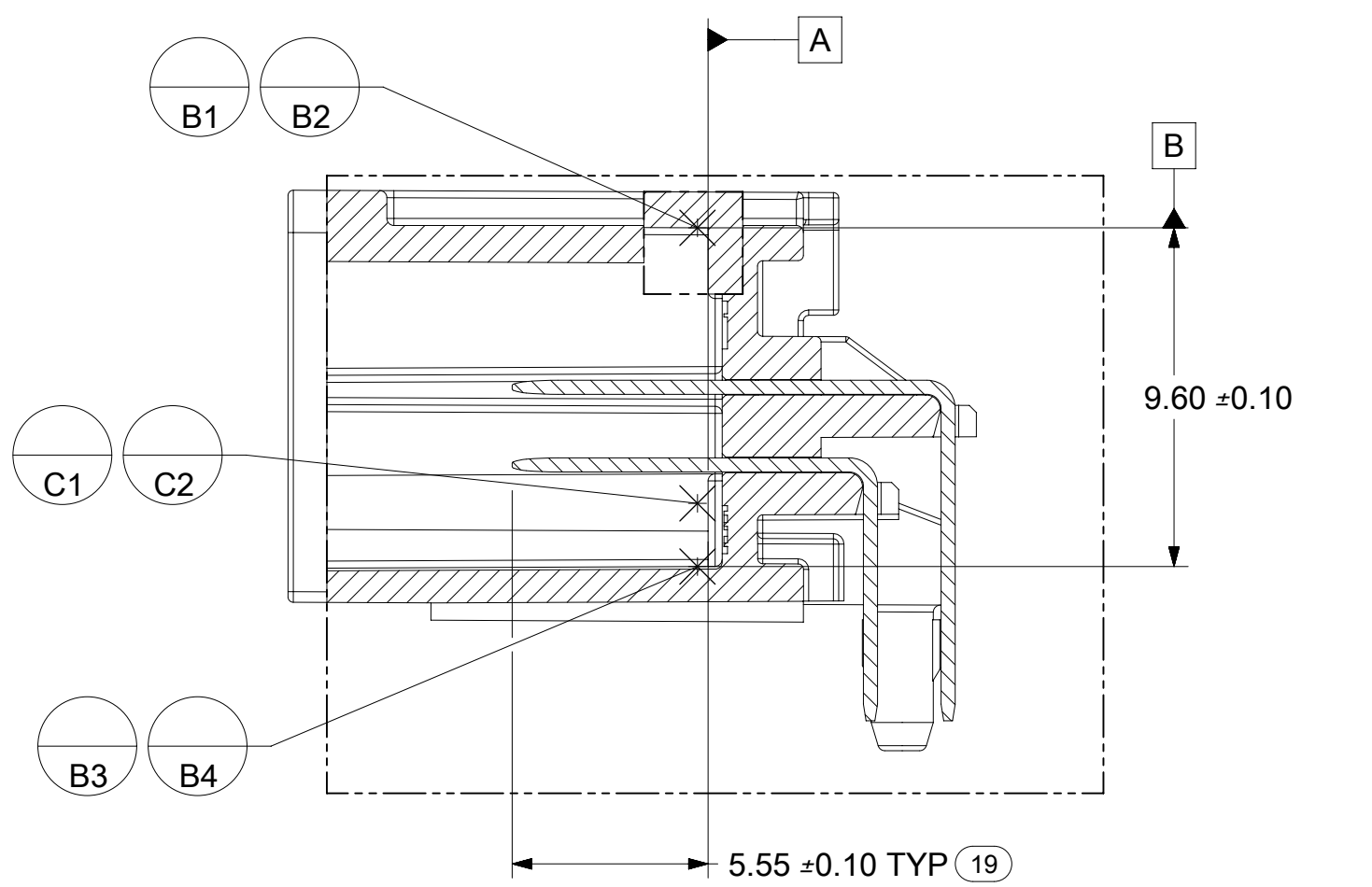
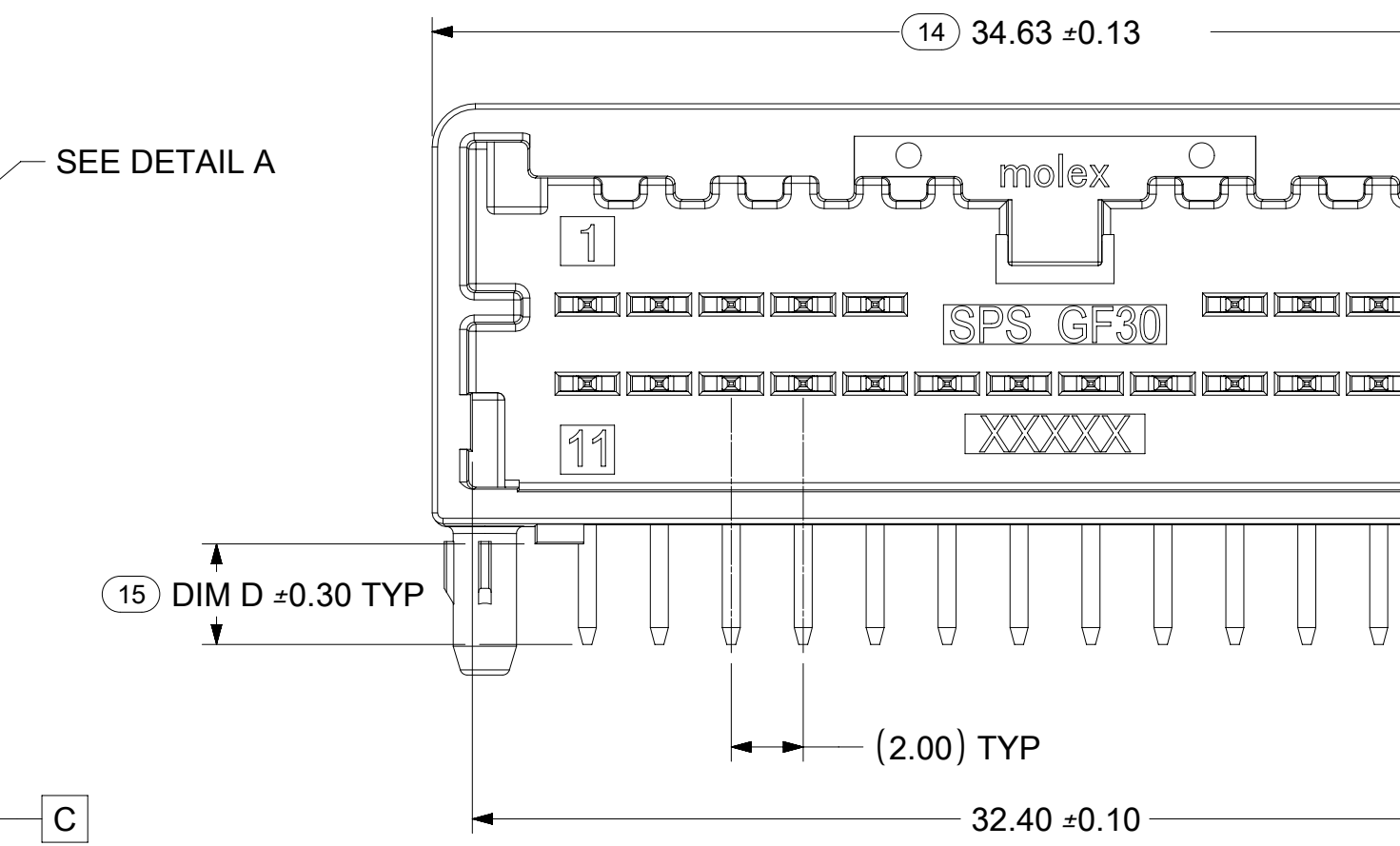
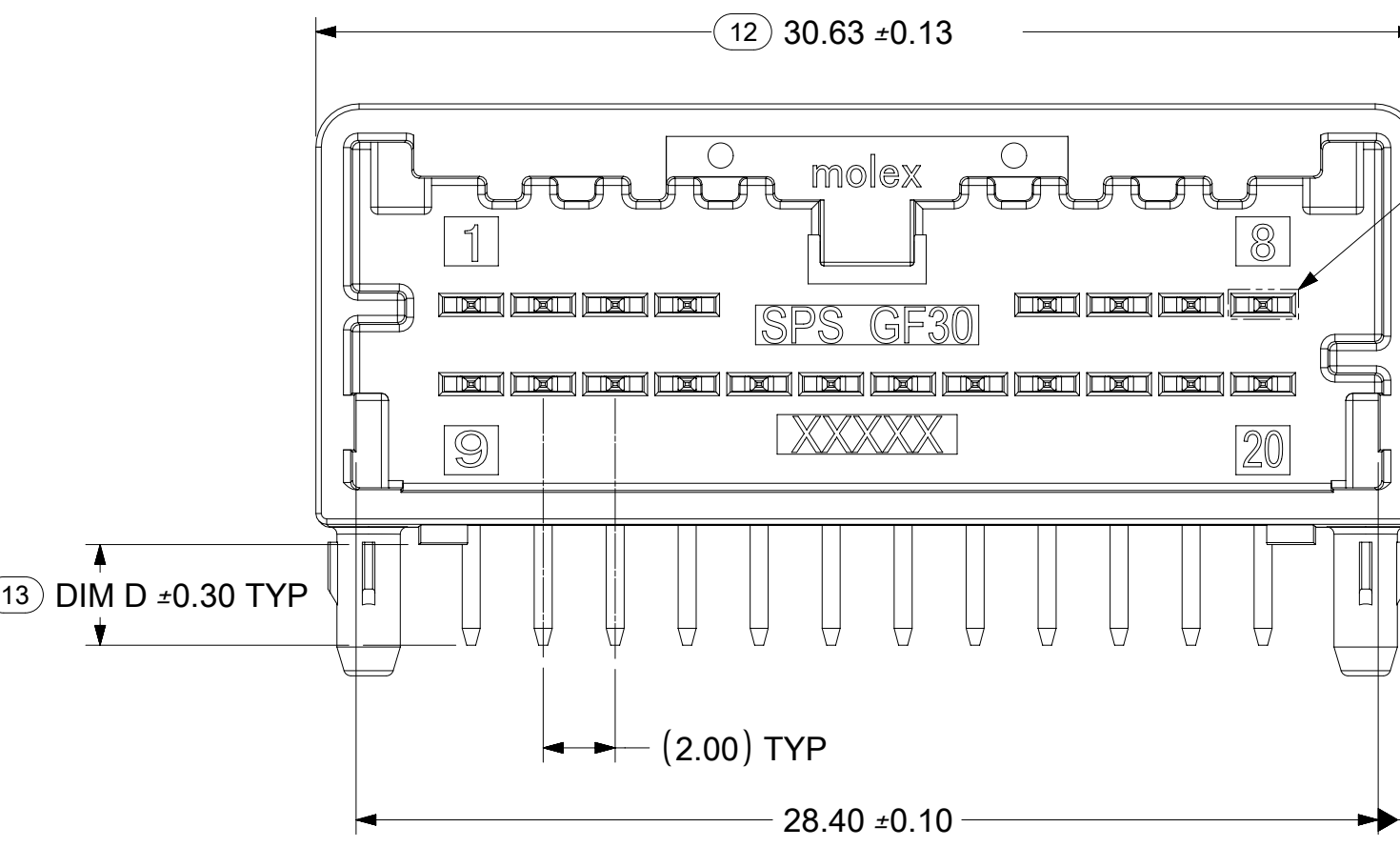
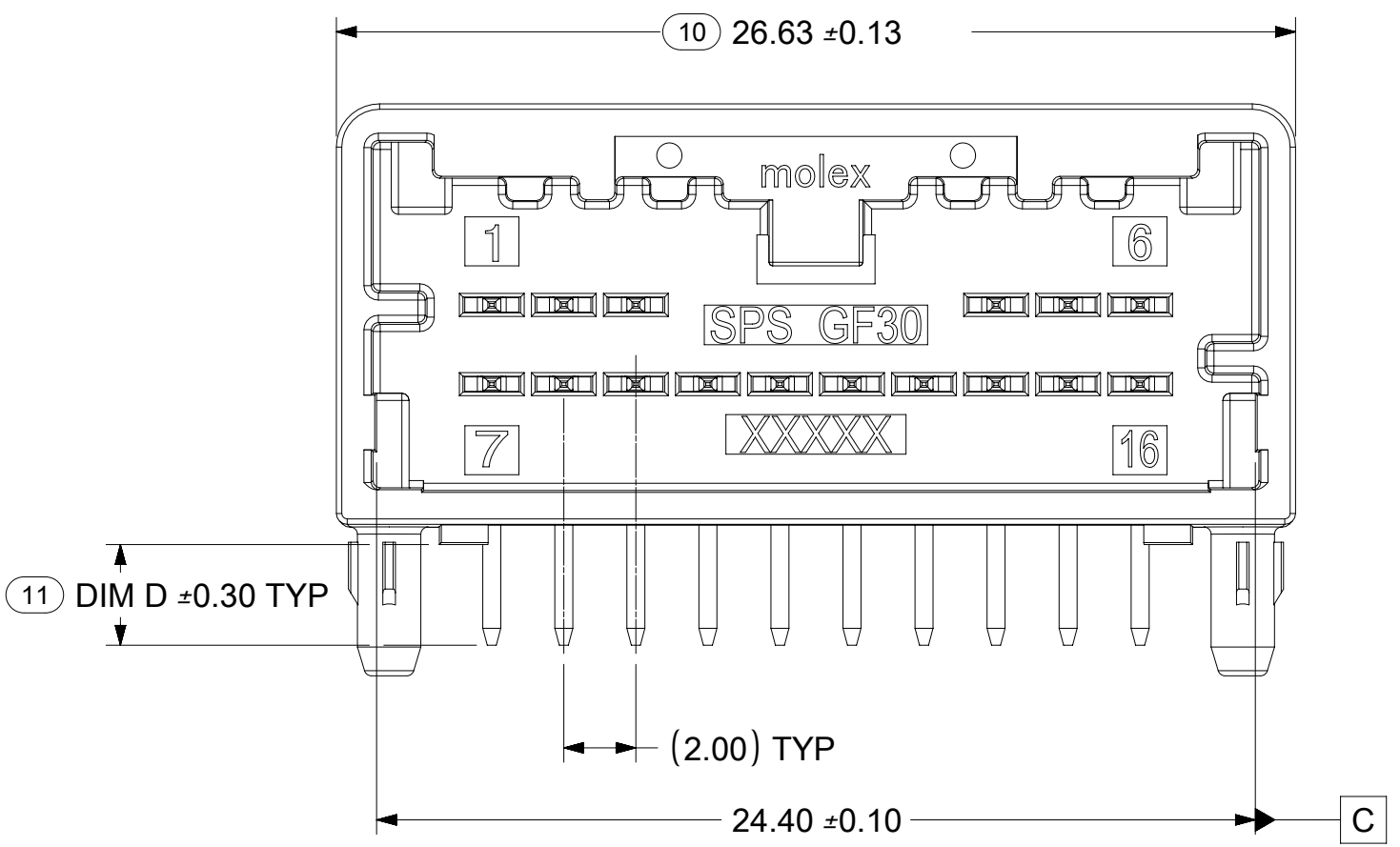
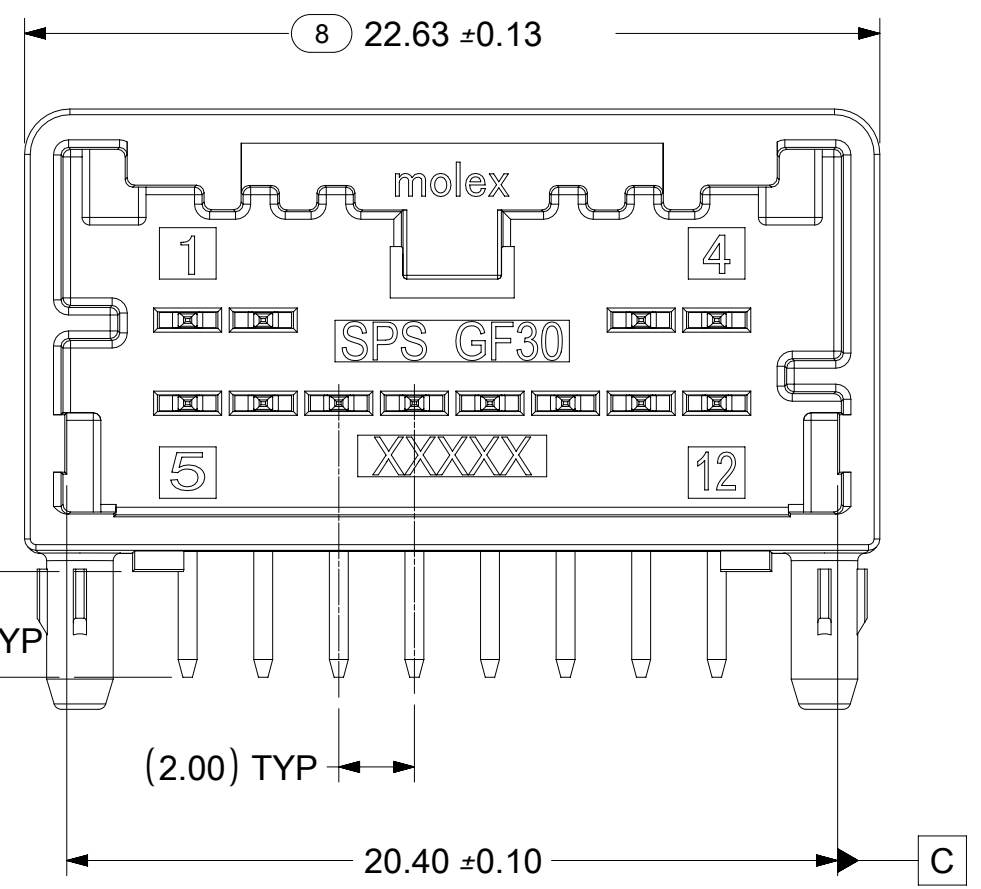
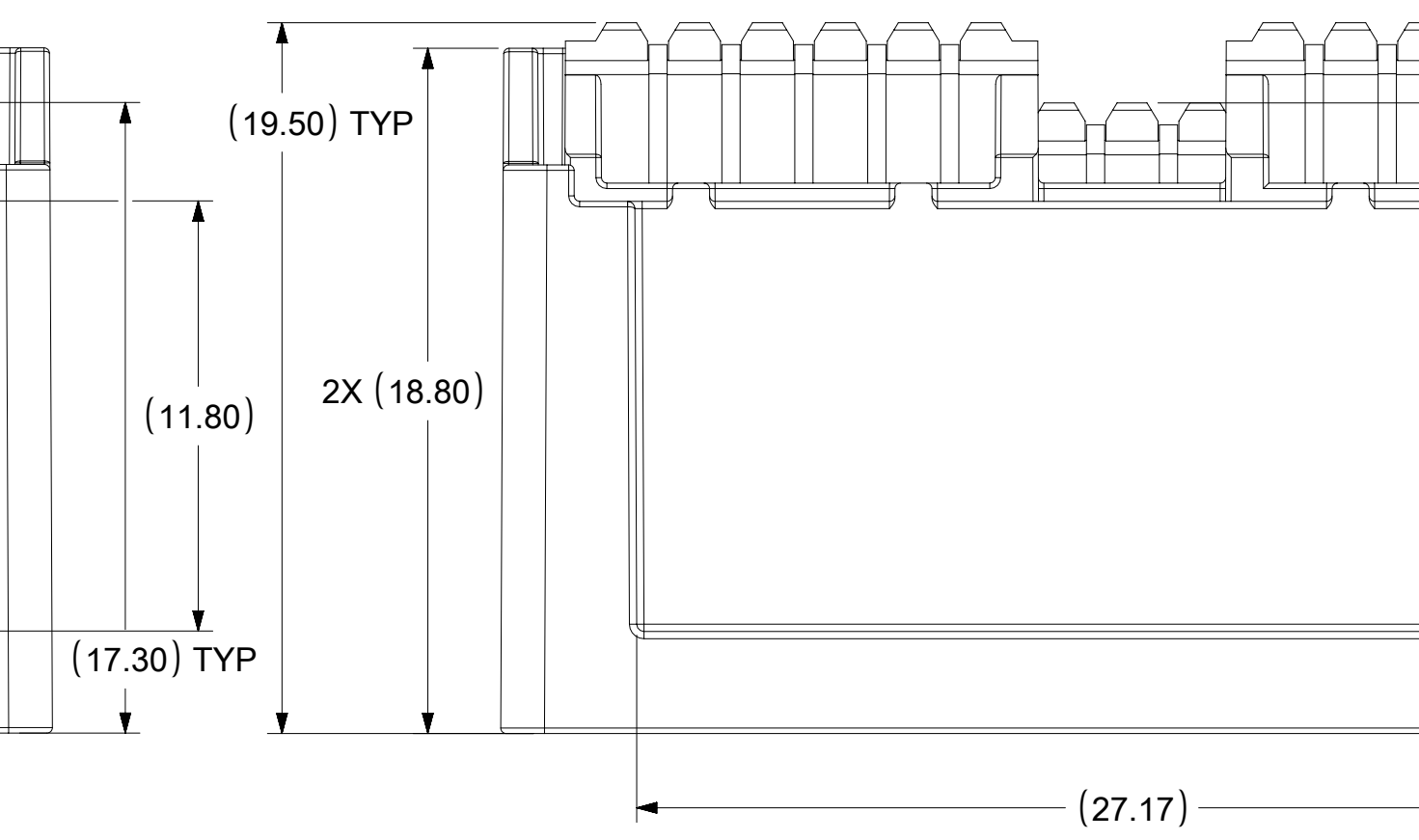
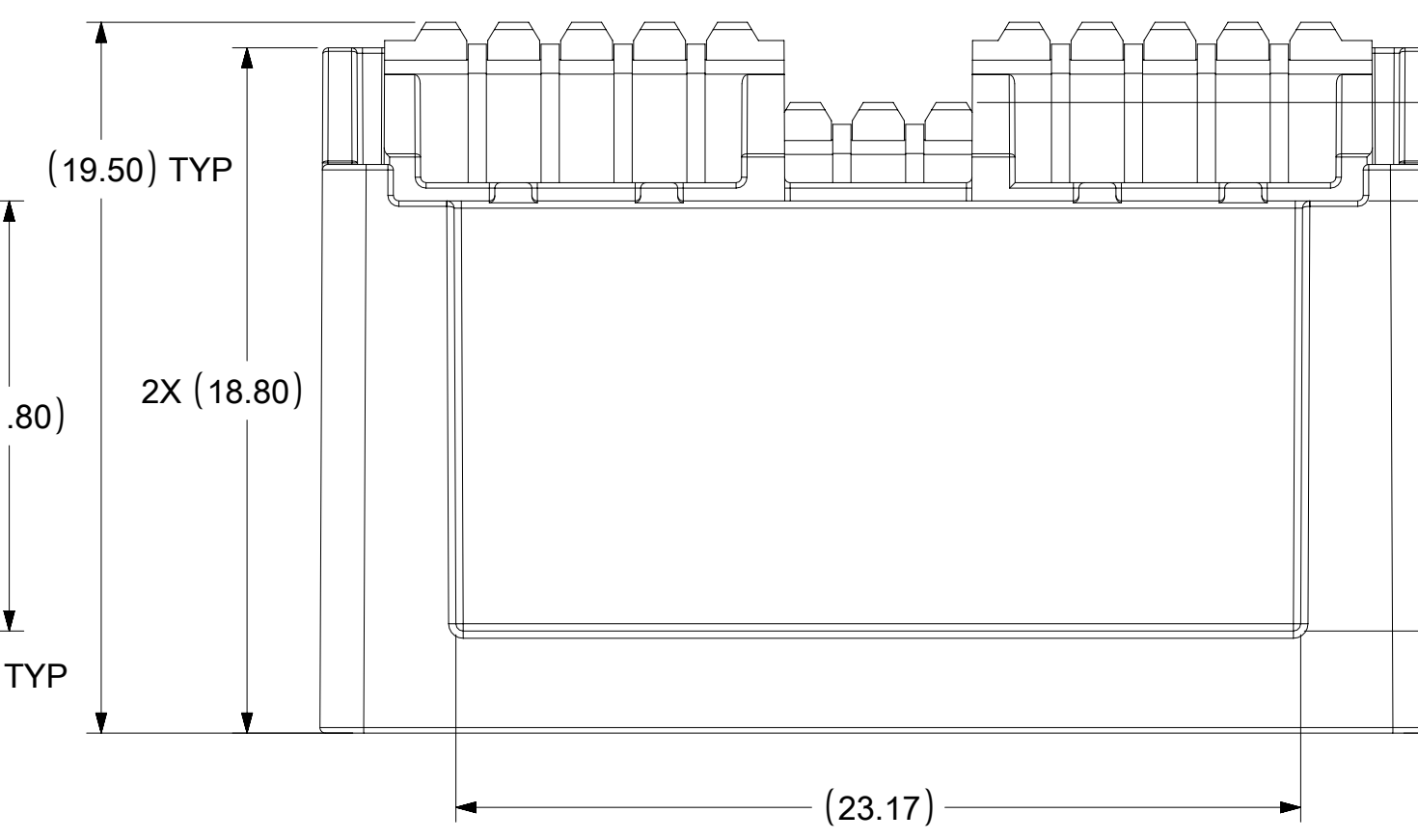
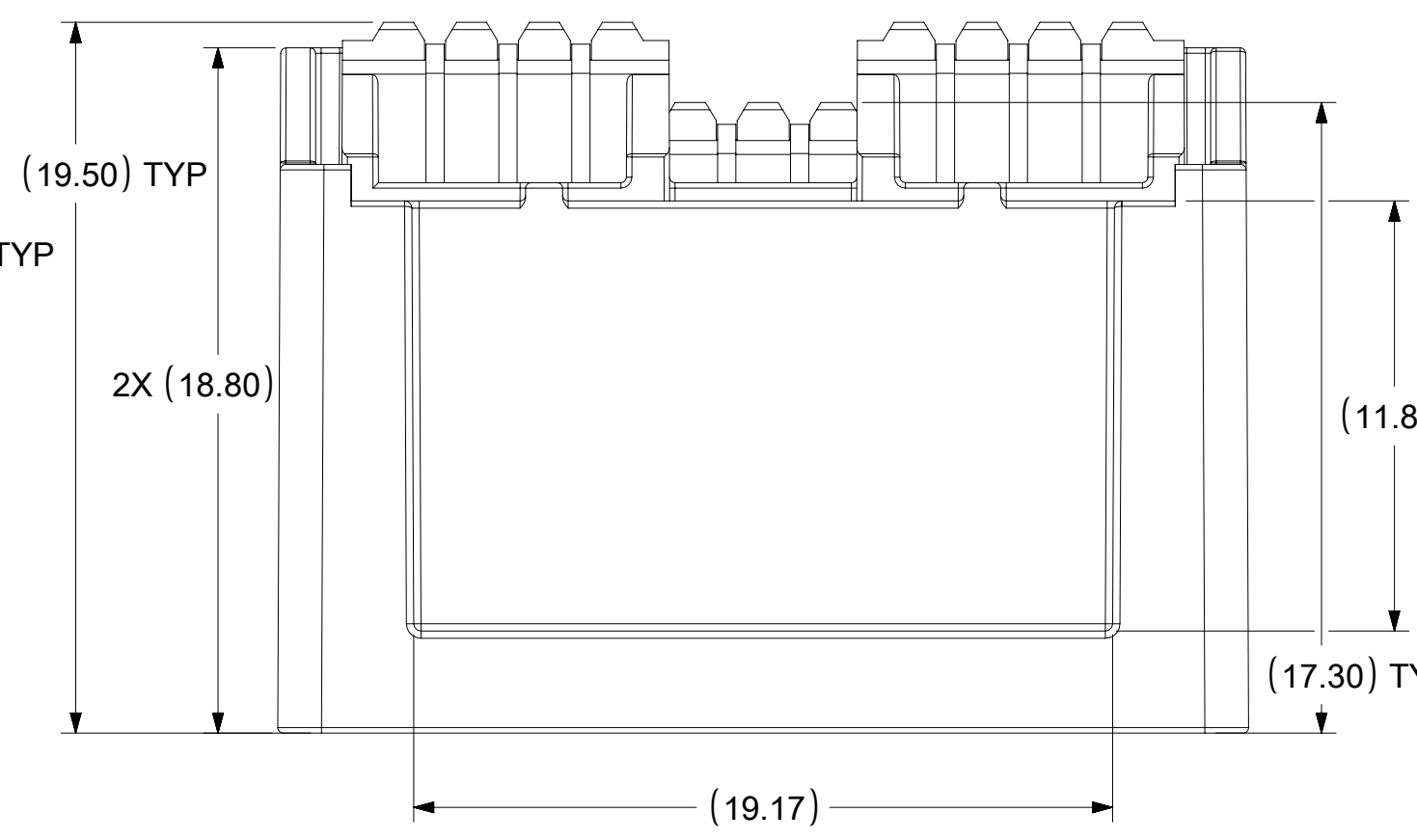
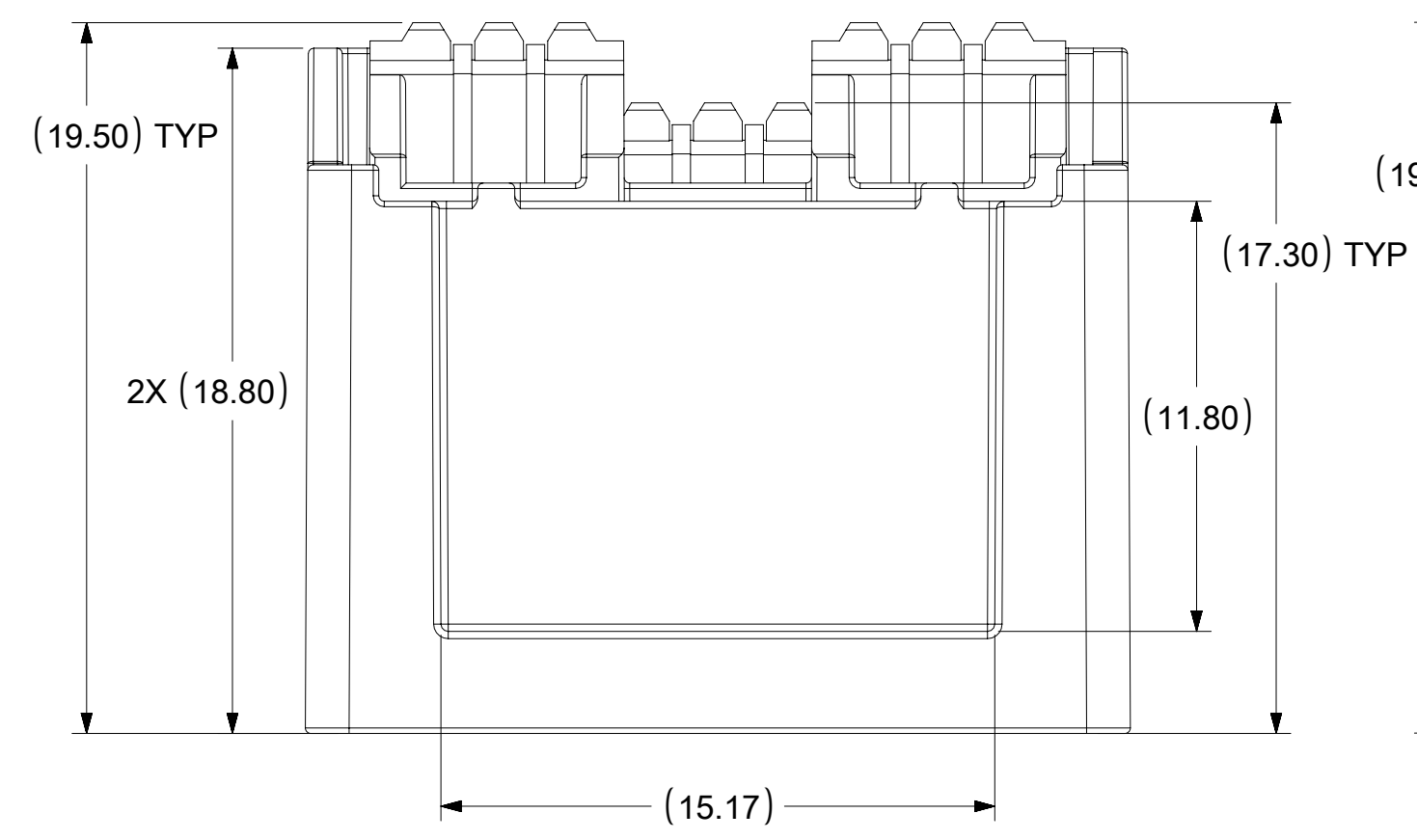
DIMENSION UNITS	SCALE	CURRENT REV DESC:					
mm	5:1						
GENERAL TOLERANCES (UNLESS SPECIFIED)				EC NO: 638407 DRWN: KHEWITT 2020/05/27 CHK'D: SRUSS 2020/05/27 APPR: JDUNAJ 2020/05/28			
ANGULAR TOL	±	°		INITIAL REVISION:			
4 PLACES	±			DRWN: TMACHUGA 2011/11/22			
3 PLACES	±			APPR: SMARCEAU 2011/12/12			
2 PLACES	±			DOCUMENT NUMBER: SD-34826-001 DOC TYPE: PSD DOC PART: 001 REVISION: H1			
1 PLACE	±			MATERIAL NUMBER: 34826 CUSTOMER: GENERAL MARKET SHEET NUMBER: 1 OF 5			
0 PLACES	±			DRAFT WHERE APPLICABLE MUST REMAIN WITHIN DIMENSIONS THIRD ANGLE PROJECTION DRAWING: D-SIZE SERIES: 34826			

12 CIRCUIT

16 CIRCUIT

20 CIRCUIT

24 CIRCUIT



THIS DRAWING CONTAINS INFORMATION THAT IS PROPRIETARY TO MOLEX ELECTRONIC TECHNOLOGIES, LLC AND SHOULD NOT BE USED WITHOUT WRITTEN PERMISSION									
DIMENSION UNITS		SCALE		CURRENT REV DESC:					
mm		5:1							
GENERAL TOLERANCES (UNLESS SPECIFIED)				EC NO: 638407					
ANGULAR TOL ± °				DRWN: KHEWITT 2020/05/27					
4 PLACES ±				CHK'D: SRUSS 2020/05/27					
3 PLACES ±				APPR: JDUNAJ 2020/05/28					
2 PLACES ±				INITIAL REVISION:					
1 PLACE ±				DRWN: TMACHUGA 2011/11/22					
0 PLACES ±				APPR: SMARCEAU 2011/12/12					
DRAFT WHERE APPLICABLE MUST REMAIN WITHIN DIMENSIONS		THIRD ANGLE PROJECTION		DRAWING		SERIES		MATERIAL NUMBER	
				D-SIZE		34826		GENERAL MARKET	
				CUSTOMER		SHEET NUMBER			
				GENERAL MARKET		2 OF 5			

**molex**

MINI50 12-24CKT R/A SALES DRAWING

PRODUCT CUSTOMER DRAWING

DOCUMENT NUMBER	DOC TYPE	DOC PART	REVISION
SD-34826-001	PSD	001	H1

DOCUMENT STATUS	P1	RELEASE DATE	2020/05/28 19:13:50
-----------------	----	--------------	---------------------

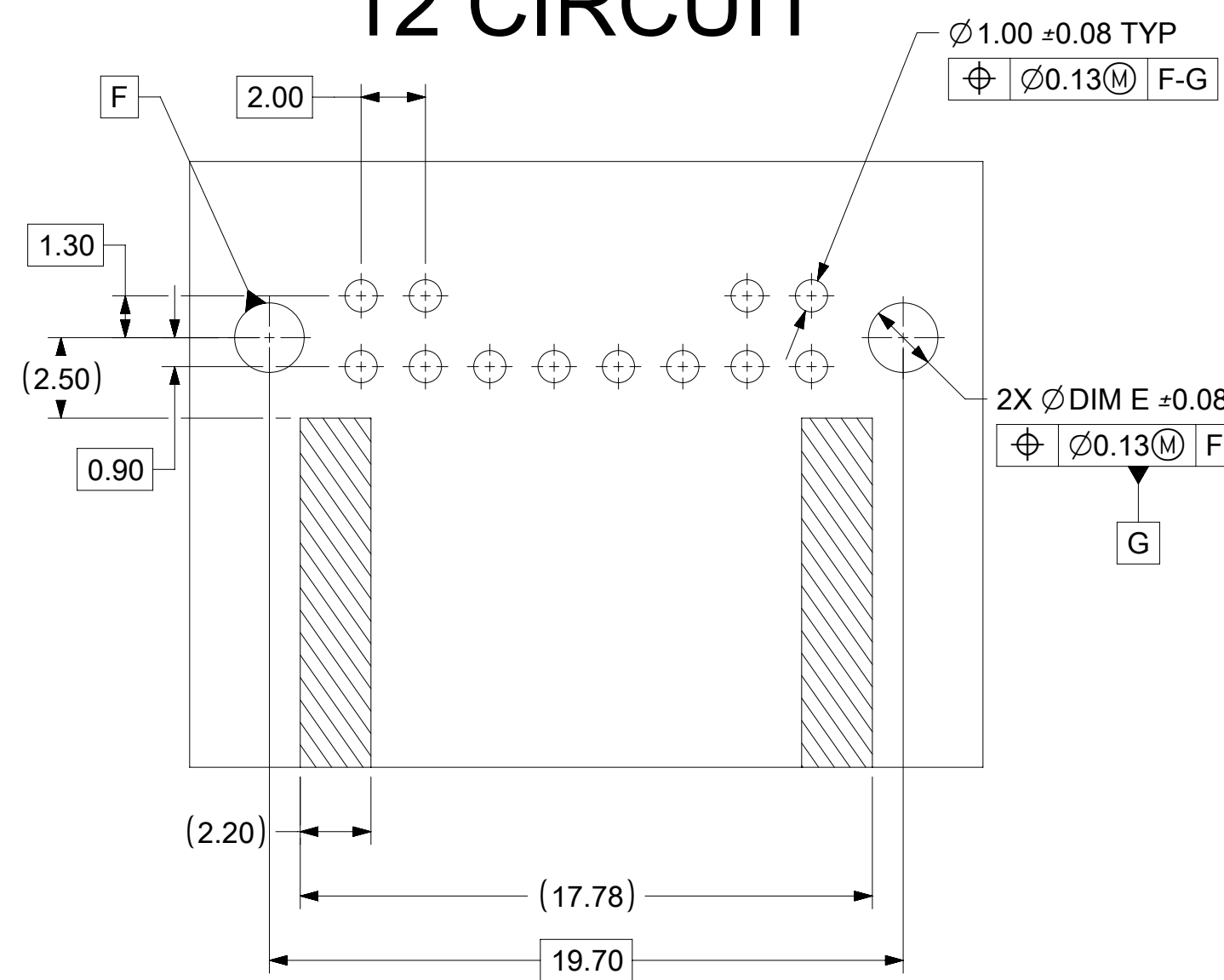
# PCB LAYOUT

BOARD SHOWN FOR REFERENCE ONLY

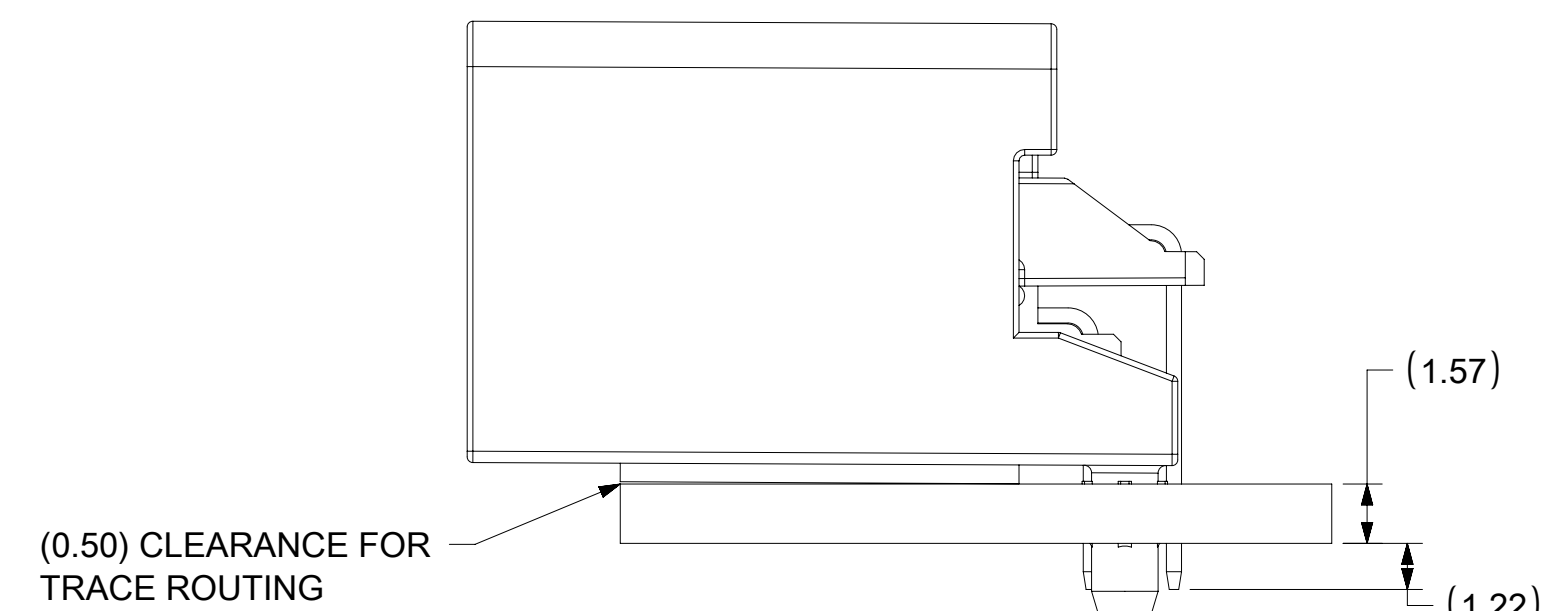
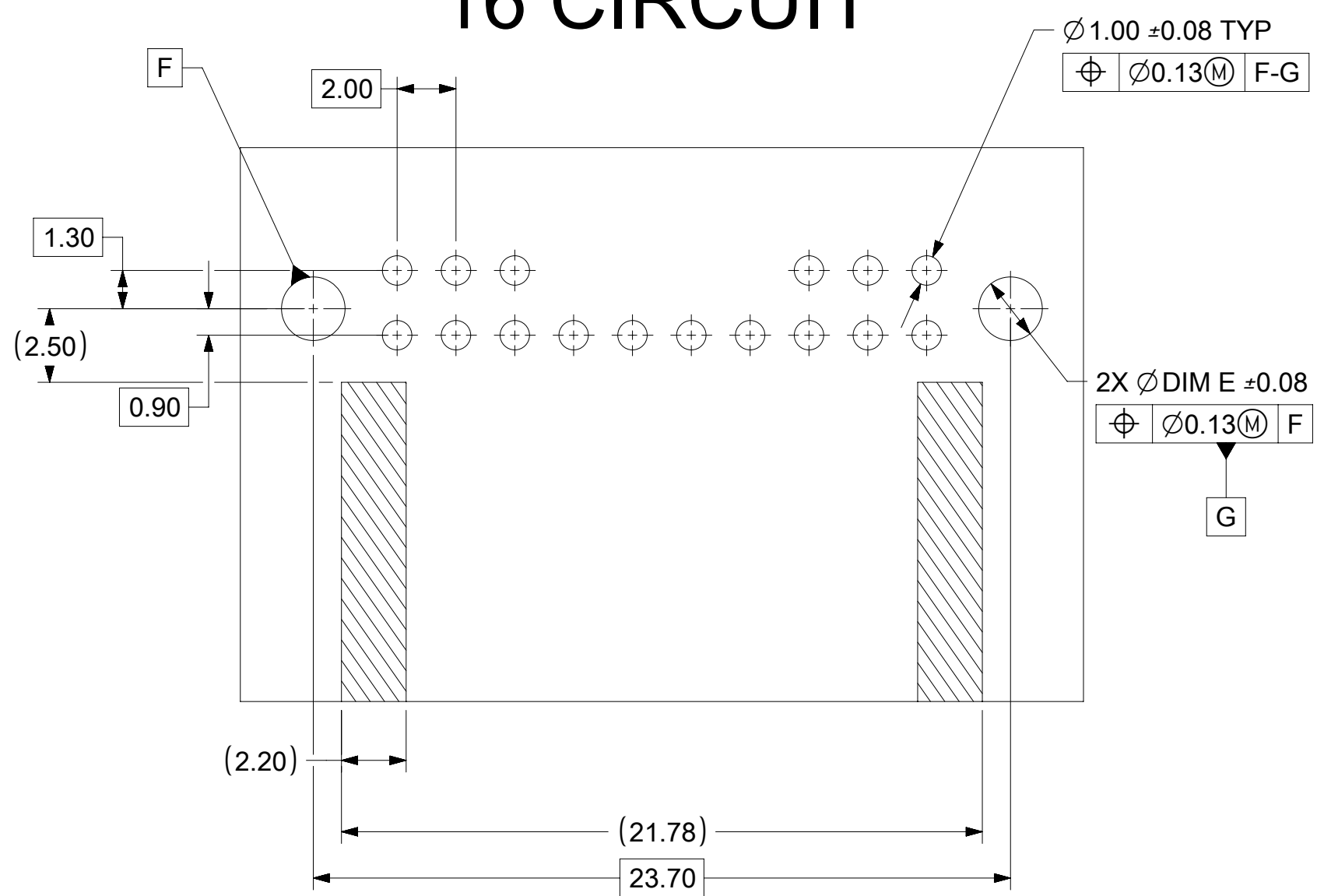
## POST HOLE TABLE

	DIM E
PRESS FIT	2.15
DROP IN	2.55

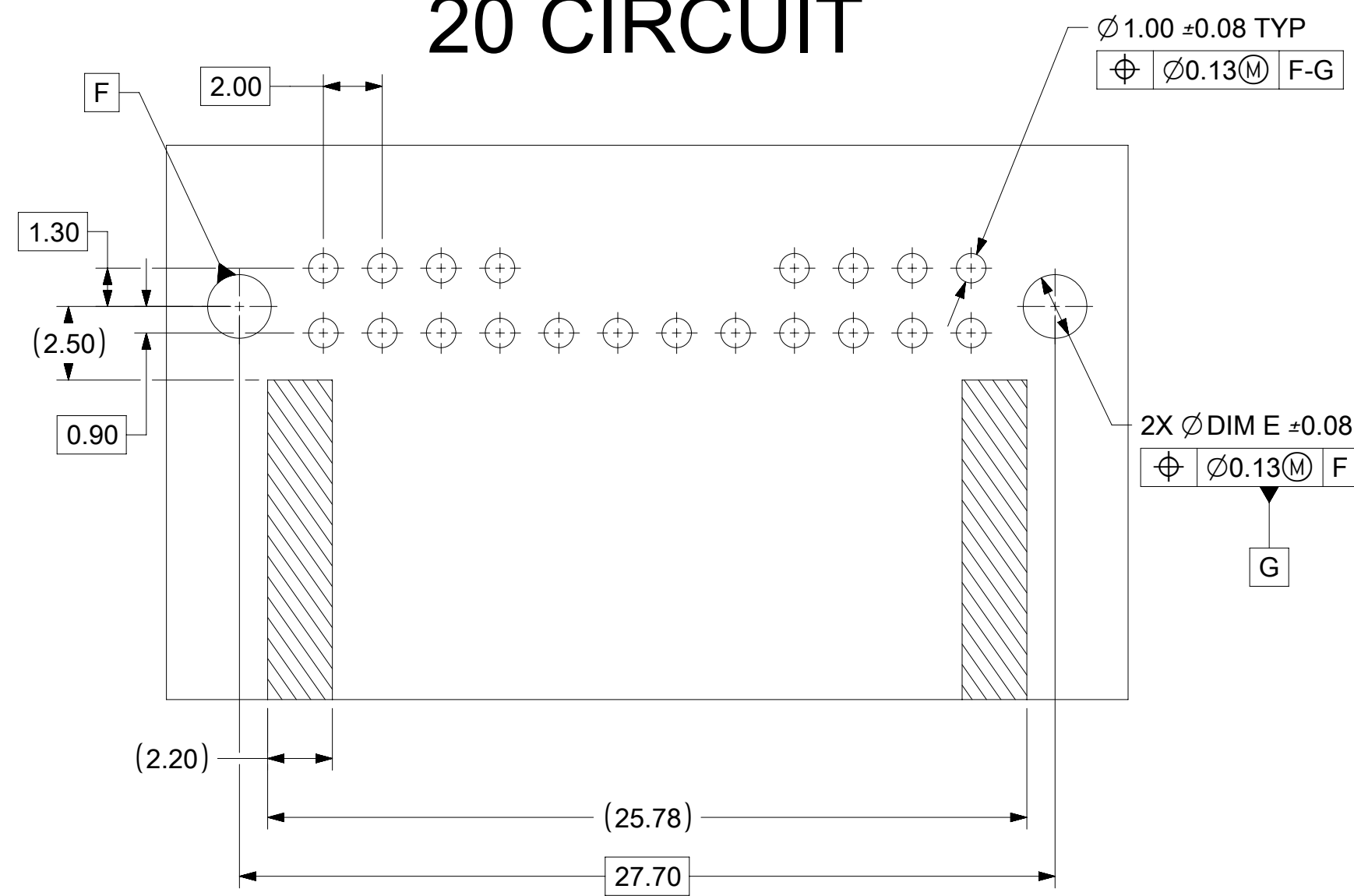
### 12 CIRCUIT



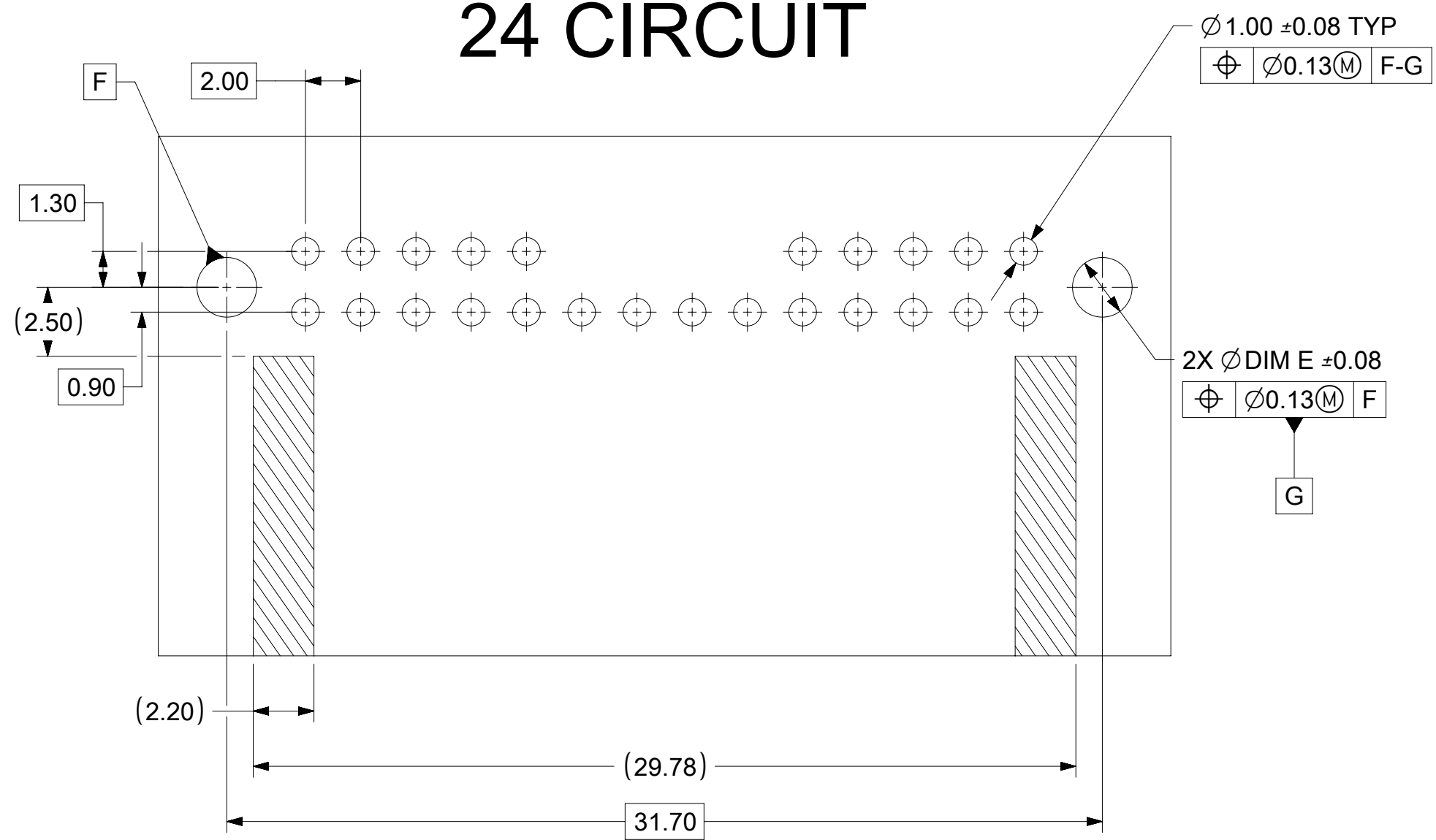
### 16 CIRCUIT



### 20 CIRCUIT



### 24 CIRCUIT



THIS DRAWING CONTAINS INFORMATION THAT IS PROPRIETARY TO MOLEX ELECTRONIC TECHNOLOGIES, LLC AND SHOULD NOT BE USED WITHOUT WRITTEN PERMISSION

DIMENSION UNITS	SCALE	CURRENT REV DESC:		<b>molex</b>		
mm	5:1					
GENERAL TOLERANCES (UNLESS SPECIFIED)		EC NO: 638407		PRODUCT CUSTOMER DRAWING		
ANGULAR TOL	± °	DRWN: KHEWITT	2020/05/27	DOCUMENT NUMBER	DOC TYPE	DOC PART
4 PLACES	±	CHK'D: SRUSS	2020/05/27	SD-34826-001	PSD	001
3 PLACES	±	APPR: JDUNAJ	2020/05/28	REVISION		
2 PLACES	±	INITIAL REVISION:		H1		
1 PLACE	±	DRWN: TMACHUGA	2011/11/22	MATERIAL NUMBER		
0 PLACES	±	APPR: SMARCEAU	2011/12/12	CUSTOMER		
DRAFT WHERE APPLICABLE MUST REMAIN WITHIN DIMENSIONS		THIRD ANGLE PROJECTION	DRAWING	SERIES	SHEET NUMBER	
			D-SIZE	34826	3 OF 5	
				GENERAL MARKET		



# MINI50 RIGHT ANGLE HEADER ASSEMBLIES

MATERIAL NUMBER TAPE AND REEL PACKAGING PK-47799-0001	MATERIAL NUMBER TUBE PACKAGING PK-31301-688	MATERIAL NUMBER TRAY PACKAGING PK-31301-440	CONFIGURATION	CIRCUIT	POL	COLOR	DIM D	BLADE PLATING	*MATING RECEPTACLE - ECOPAXX MATERIAL	
									UN-BRIDGED	BRIDGED
34826-8160	34826-9160	34826-0160	USCAR	16	A	BLACK	2.80	TIN OVER NICKEL	34824-1164	34824-0164
34826-8161	34826-9161	34826-0161	USCAR	16	B	GRAY		TIN OVER NICKEL	34824-1165	34824-0165
34826-8162	34826-9162	34826-0162	USCAR	16	C	DARK GRAY		TIN OVER NICKEL	34824-1166	34824-0166
34826-8164	34826-9164	34826-0164	USCAR	16	A	BLACK	3.30	TIN OVER NICKEL	34824-1164	34824-0164
34826-8165	34826-9165	34826-0165	USCAR	16	B	GRAY		TIN OVER NICKEL	34824-1165	34824-0165
34826-8166	34826-9166	34826-0166	USCAR	16	C	DARK GRAY		TIN OVER NICKEL	34824-1166	34824-0166
34826-8200	34826-9200	34826-0200	USCAR	20	A	BLACK	2.80	TIN OVER NICKEL	34824-1204	34824-0204
34826-8201	34826-9201	34826-0201	USCAR	20	B	GRAY		TIN OVER NICKEL	34824-1205	34824-0205
34826-8202	34826-9202	34826-0202	USCAR	20	C	DARK GRAY		TIN OVER NICKEL	34824-1206	34824-0206
34826-8204	34826-9204	34826-0204	USCAR	20	A	BLACK	3.30	TIN OVER NICKEL	34824-1204	34824-0204
34826-8205	34826-9205	34826-0205	USCAR	20	B	GRAY		TIN OVER NICKEL	34824-1205	34824-0205
34826-8206	34826-9206	34826-0206	USCAR	20	C	DARK GRAY		TIN OVER NICKEL	34824-1206	34824-0206
34826-8240	34826-9240	34826-0240	USCAR	24	A	BLACK	2.80	TIN OVER NICKEL	34824-1244	34824-0244
34826-8241	34826-9241	34826-0241	USCAR	24	B	GRAY		TIN OVER NICKEL	34824-1245	34824-0245
34826-8242	34826-9242	34826-0242	USCAR	24	C	DARK GRAY		TIN OVER NICKEL	34824-1246	34824-0246

**\*PLEASE NOTE RECEPTACLE MATERIAL DIFFERENCE**

THIS DRAWING CONTAINS INFORMATION THAT IS PROPRIETARY TO MOLEX ELECTRONIC TECHNOLOGIES, LLC AND SHOULD NOT BE USED WITHOUT WRITTEN PERMISSION											
DIMENSION UNITS <b>mm</b>		SCALE <b>1:1</b>		CURRENT REV DESC:				<b>molex</b>		MINI50 12-24CKT R/A SALES DRAWING	
GENERAL TOLERANCES (UNLESS SPECIFIED)						EC NO: 638407					
ANGULAR TOL ± °		4 PLACES ±		3 PLACES ±		2 PLACES ±		1 PLACE ±		0 PLACES ±	
DRAFT WHERE APPLICABLE MUST REMAIN WITHIN DIMENSIONS		THIRD ANGLE PROJECTION		DRAWING		SERIES		MATERIAL NUMBER		CUSTOMER	
DOCUMENT STATUS		P1		RELEASE DATE		2020/05/28 19:13:50		D-SIZE		34826	
DRWN: KHEWITT		2020/05/27		CHK'D: SRUSS		2020/05/27		APPR: JDUNAJ		2020/05/28	
INITIAL REVISION:		DRWN: TMACHUGA		2011/11/22		APPR: SMARCEAU		2011/12/12		SD-34826-001	
PSD		001		H1		GENERAL MARKET		5 OF 5			