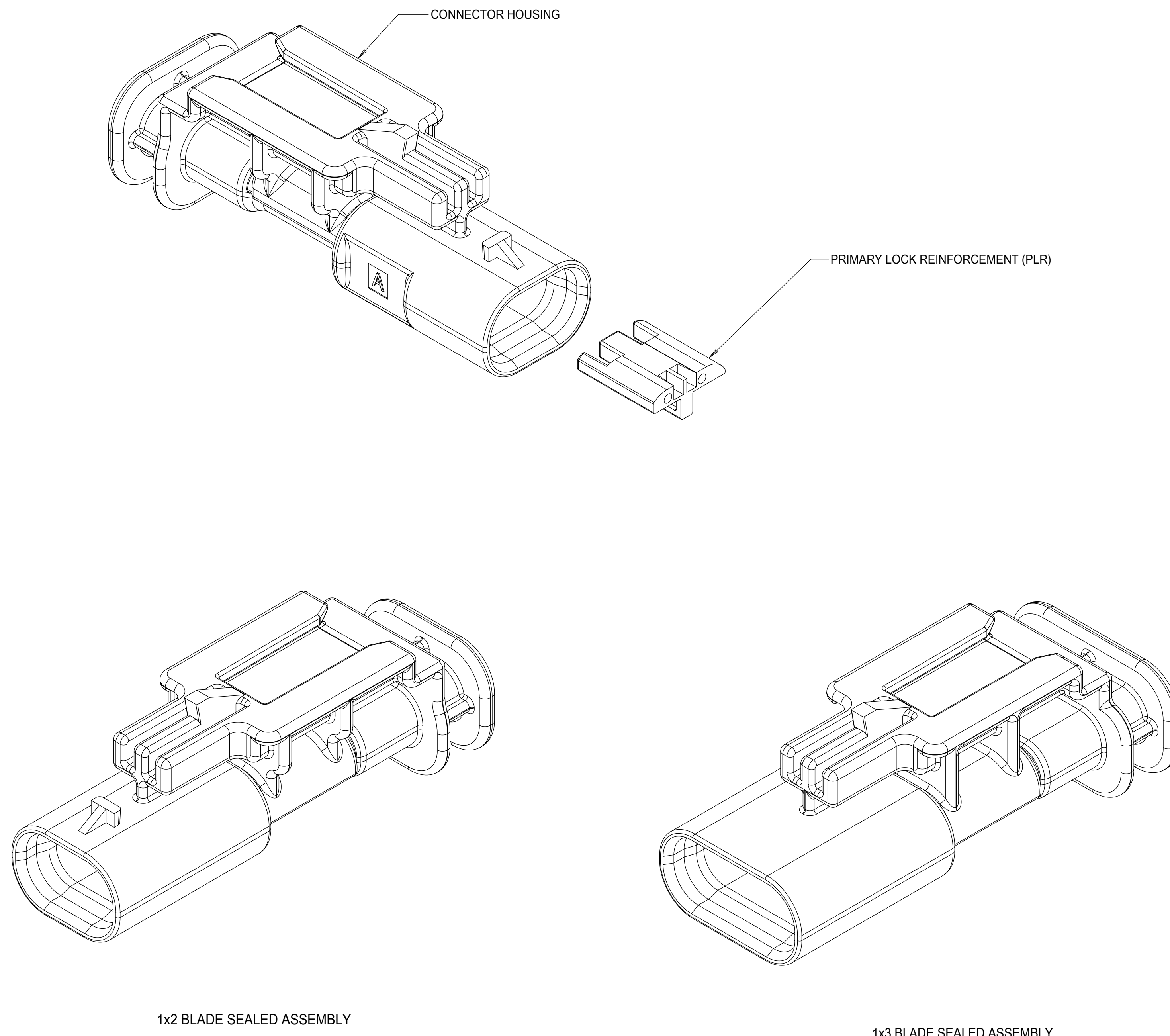


TABLE OF CONTENTS

SHEET NO.	SHEET DESCRIPTION
1	NOTES
2	1x2 BLADE SEALED ASSEMBLY KEYING CONFIGURATIONS
3	1x3 BLADE SEALED ASSEMBLY KEYING CONFIGURATIONS
4	CLIP-SLOT CONFIGURATIONS
5	BLADE SEALED ASSEMBLY
6	CONNECTION SYSTEM PACKAGING
7	WIRE DRESS COVER INTERFACE OPTIONS
8	1x2 BLADE SEALED ASSEMBLY BOM INTERFACE OPTION 1
9	1x2 BLADE SEALED ASSEMBLY BOM INTERFACE OPTION 2
10	1x3 BLADE SEALED ASSEMBLY BOM INTERFACE OPTION 1
11	1x3 BLADE SEALED ASSEMBLY BOM INTERFACE OPTION 2



NOTES: VALID UNLESS OTHERWISE SPECIFIED

1. GENERAL:

- a. APPLICATION SPECIFICATION SEE: AS-34900-0001
CONTAINS: PRODUCT INTRODUCTION, PRODUCT SUMMARY, CONNECTOR ASSEMBLY, PACKAGING INFORMATION, CONNECTOR MATING, SERVICE INSTRUCTIONS, ELECTRICAL CONTINUITY CHECKING, CRIMPING, AND TROUBLESHOOTING.
- b. PRODUCT SPECIFICATION SEE: PS-34900-0001
CONTAINS: PRODUCT INTRODUCTION, PRODUCT SUMMARY, RATINGS (CURRENT, TEMPERATURE, SEALING, AND FLAMMABILITY), AND PRODUCT VALIDATION.
- c. PACKAGING SPECIFICATION PER MOLEX DRAWING: PK-31301-898
- d. PARTS MUST BE IN COMPLIANCE TO MOLEX CHEMICAL SUBSTANCES FOR PRODUCTS AND PACKAGING SPECIFICATION: ES-40000-5016
- e. DATA MUST BE SUBMITTED UNDER THE MOLEX PART NUMBER TO IMDS (COMPANY ID#13255)

2. DESIGN - MATERIALS:

- a. SEE BOM TABLE

3. DESIGN - GEOMETRY:

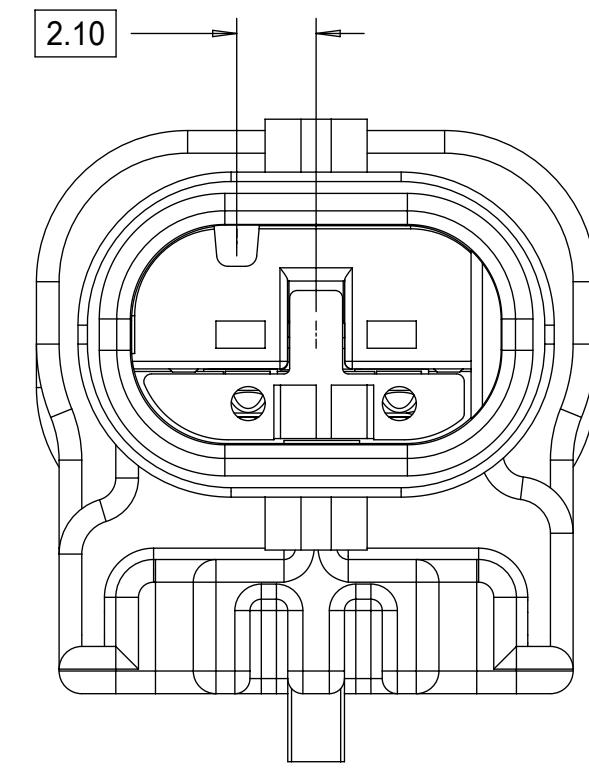
- a. THIS IS A 100% CAD GENERATED PART. THE CAD MATHEMATICAL DATA IS THE MASTER FOR THIS PART. FOR DIMENSIONAL OR ANY INFORMATION NOT SHOWN ON THIS DRAWING, ANALYZE THE CAD MODEL.
- b. GEOMETRIC DIMENSIONS AND TOLERANCES PER ASME Y14.5M - 1994
- c. EDGES AND UNDIMENSIONED DETAILS PER ISO13715
- d. CORNERS SHOWN AS SHARP TO BE R 0.2 MAX.
- e. LETTERING SHALL BE 0.15 MAX RAISED IN 0.25 MAX RECESS PAD. THIS INCLUDES RECYCLING CODE, CAVITY ID, VENDOR IDENTIFICATION,
- f. VISUAL DEFECTS SHALL MEET COSMETIC STANDARD PS-45499-002 (Class B)
- g. LASER MARKING:
 - 1. PART NUMBER
 - 2. DAY OF THE YEAR
 - 3. SHIFT
 - 4. YEAR

INSPECTION NUMBER LOG
LAST NUMBER USED:
ADDED:
REMOVED:

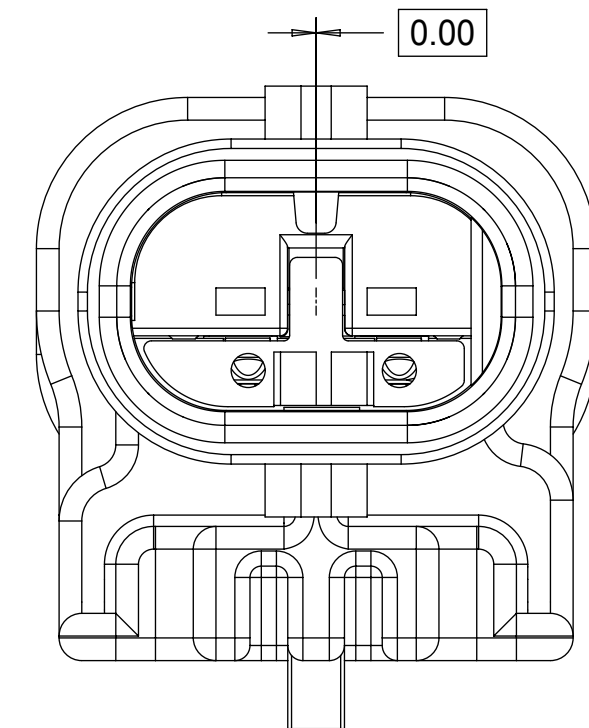
A15	- NX-REMASTERING FROM MODEL MANAGER - 1x2 KEY C MOVED TO SALEABLE - 1X3 WDC INTERFACE 2 PART NUMBERS UPDATED TO MATCH E-DRAWING
A14	CORRECTED CHARTED DIMENSION 3 FOR 1X3 11MM CLIPSLOT
A13	1x3 KEY A&B SALEABLE (NON 40G)
A12	1X2 KEYS A&B W/ WDC SALEABLE
A11	CORRECTED REVISION LOG
A10	1X2,1X3 WIRE DRESS FEATURES OK TO TOOL
A9	1X2,1X3 PART # STATUS UPDATED
A8	1X2 40G CLIP-SLOT OK TO TOOL
A7	1X2,1X3 PART # UPDATED TO "TOOLED BUT NOT VALIDATED"
A6	ADDED 40G CLIP-SLOT PART NUMBERS
A5	BOM CORRECTIONS AND UPDATES
A4	BOM CORRECTIONS AND UPDATES
A3	1x2, 1x3 NON-SIR PART# OK TO TOOL
A2	ADDED 1x3 11mm CLIP-SLOT PART #
A	ADDED BLACK PART# AND MINOR BOM UPDATES
6	ADDED CLIP SLOT CONFIGURATIONS
5	1X3 BOM UPDATED
4	1X3 INLINE ASSY VIEWS ADDED
3	MINOR BOM CORRECTIONS
2	UPDATED PACKAGING DIMENSIONS
1	INITIAL RELEASE
REV	DESCRIPTION

QUALITY SYMBOLS □ = 0 ▽ = 0 ▽ = 0 ▽ = 0 ▽ = 0 ▽ = 0 ▽ = 0 ▽ = 0 ▽ = 0 ▽ = 0 ▽ = 0	THIS DRAWING CONTAINS INFORMATION THAT IS PROPRIETARY TO MOLEX ELECTRONIC TECHNOLOGIES, LLC AND SHOULD NOT BE USED WITHOUT WRITTEN PERMISSION		GENERAL TOLERANCES (UNLESS SPECIFIED) DIMENSION UNITS: MM SCALE: 4:1			
	DRWN BY: SKRAJENDRANA DATE: 2013/11/06	CHKD BY:	PRODUCT CUSTOMER DRAWING			
	APPR BY:	DATE:	SERIES: 34899	MATERIAL NUMBER: SEE BOM		CUSTOMER: GENERAL MARKET
	EC NO: 117908 DRWN: VYARAPPA CHKD: KDEKOSKI REV: APPR:	DATE: 2017/04/11 DATE: 2017/06/22	DOCUMENT NUMBER: SD-34899-2001	DOC TYPE: PSD		DOC PART: 001

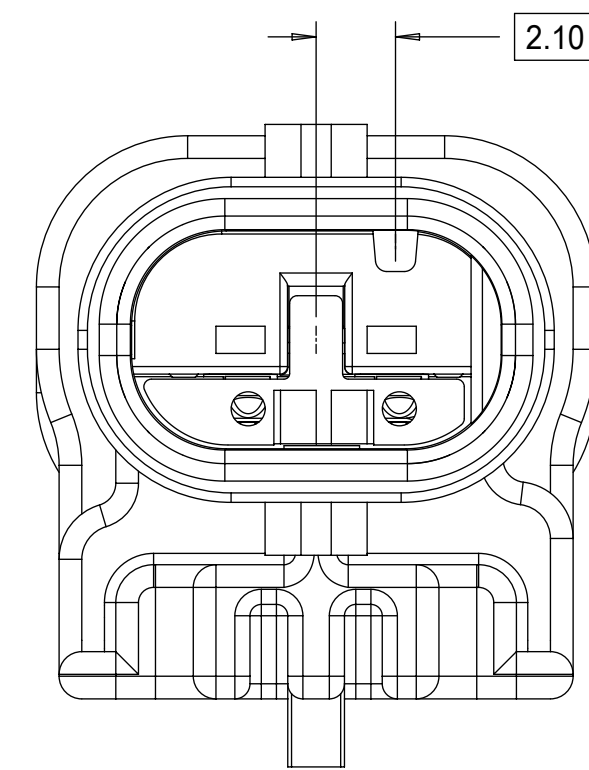
1x2 BLADE SEALED ASSEMBLY KEYING CONFIGURATIONS. FOR PART NUMBERS REFER TO BOM SHEET.



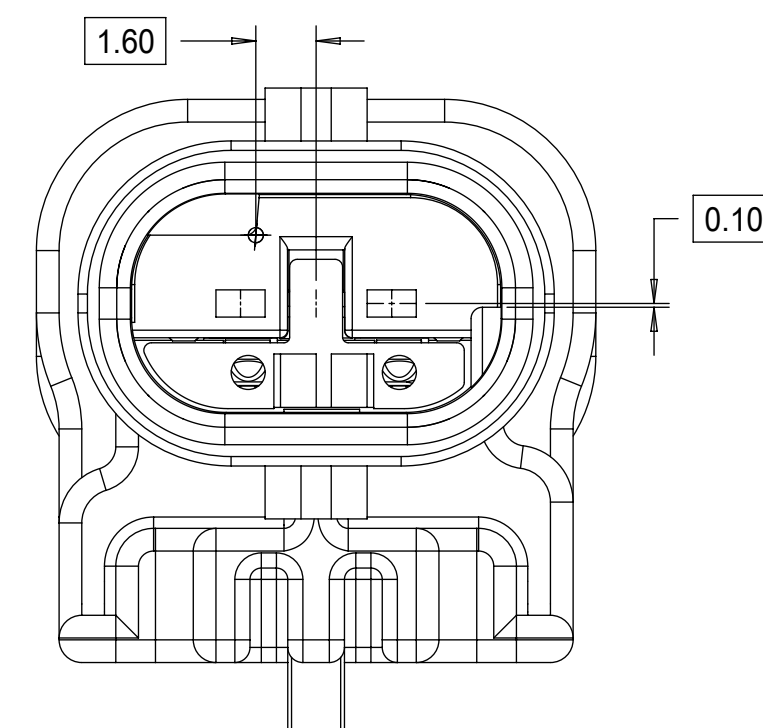
KEYING OPTION A



KEYING OPTION B



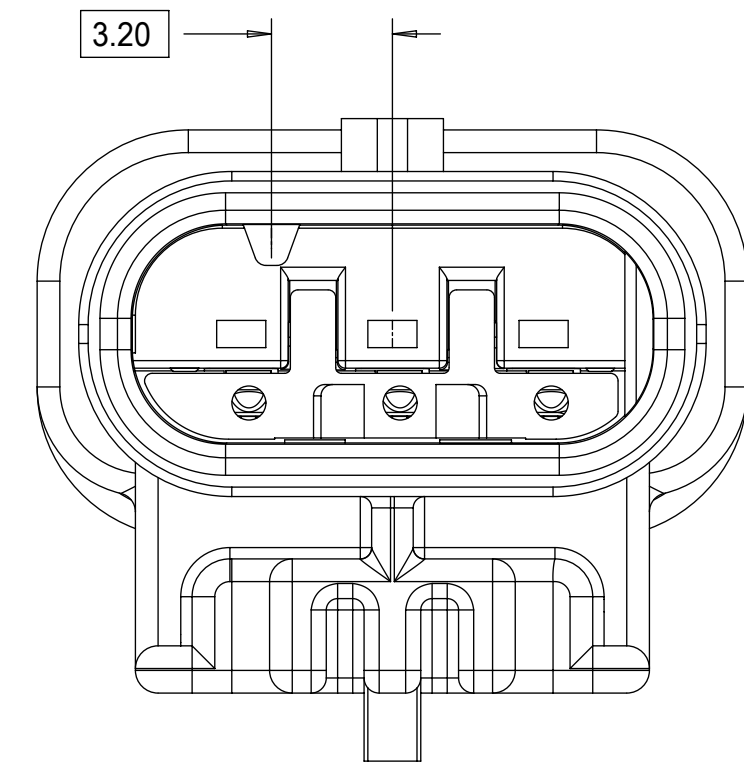
KEYING OPTION C



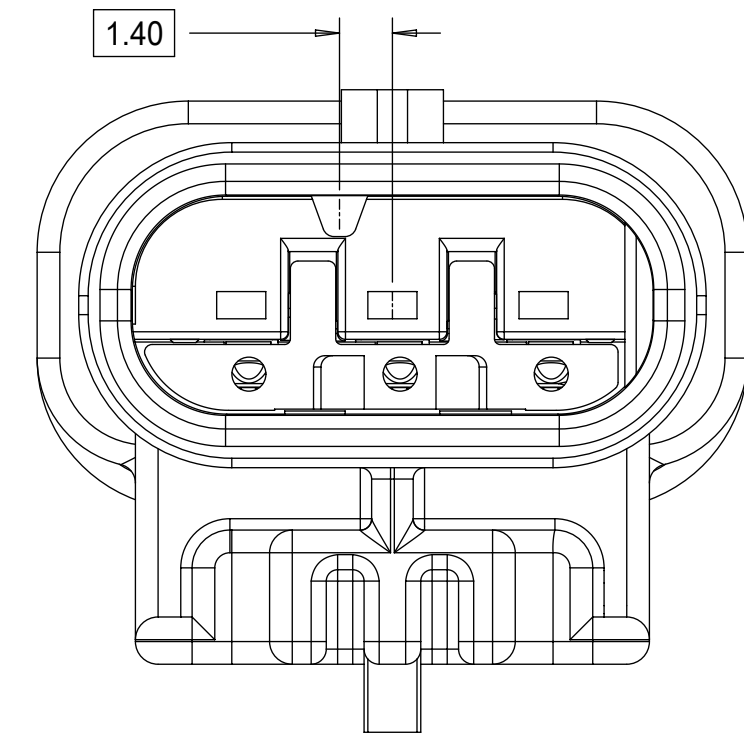
KEYING OPTION E

QUALITY SYMBOLS ▽ = 0 ▽ = 0 ▽ = 0 ▽ = 0 ▽ = 0 ▽ = 0 ▽ = 0 ▽ = 0 ▽ = 0 ▽ = 0		THIS DRAWING CONTAINS INFORMATION THAT IS PROPRIETARY TO MOLEX ELECTRONIC TECHNOLOGIES, LLC AND SHOULD NOT BE USED WITHOUT WRITTEN PERMISSION		GENERAL TOLERANCES (UNLESS SPECIFIED) ANGULAR TOL ± 3.0 ° 4 PLACES ± 3 PLACES ± 2 PLACES ± 0.1 1 PLACE ± 0.2 0 PLACES ± 0.5 DRAFT WHERE APPLICABLE MUST REMAIN WITHIN DIMENSIONS		DIMENSION UNITS: MM SCALE: 5:1 DRWN BY: SKRAJENDRANA DATE: 2013/11/06 CHKD BY: DATE: APPR BY: DATE: DRAWING SIZE: D THIRD ANGLE PROJECTION		molex 1.2MM 1X2, 1X3 BLADE SEALED ASSEMBLY CABLE SEAL PRODUCT CUSTOMER DRAWING		SERIES: 34899 MATERIAL NUMBER: SEE BOM CUSTOMER: GENERAL MARKET	
EC NO: 117908 DRWN: VYARAPPA CHKD: APPR: KDEKOSKI		2017/04/11 2017/06/22		A15		DOCUMENT NUMBER: SD-34899-2001 DOC TYPE: PSD DOC PART: 001 SHEET NUMBER: 2 OF 11		RELEASE STATUS: P1 RELEASE DATE: 22.06.2017 19:25:24		19 18 17 16 15 14 13 12 11 10 9 8 7 6 5 4 3 2 1	

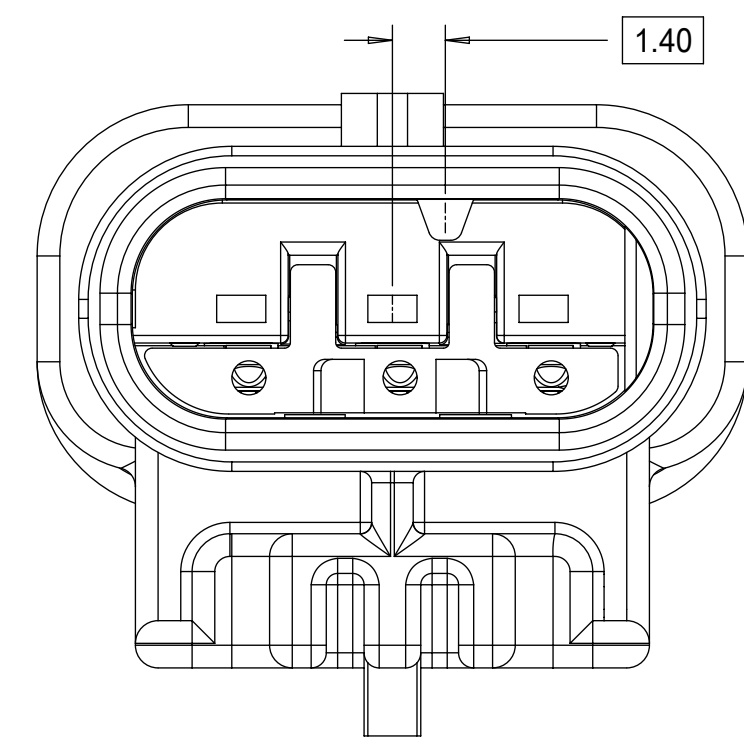
1x3 BLADE SEALED ASSEMBLY KEYING CONFIGURATIONS. FOR PART NUMBERS REFER TO BOM SHEET.



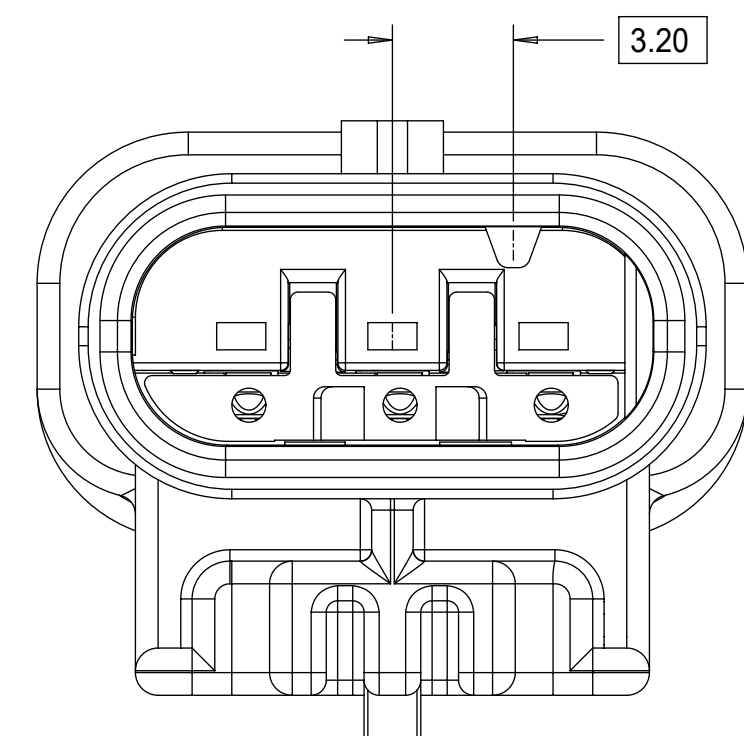
KEYING OPTION A



KEYING OPTION B



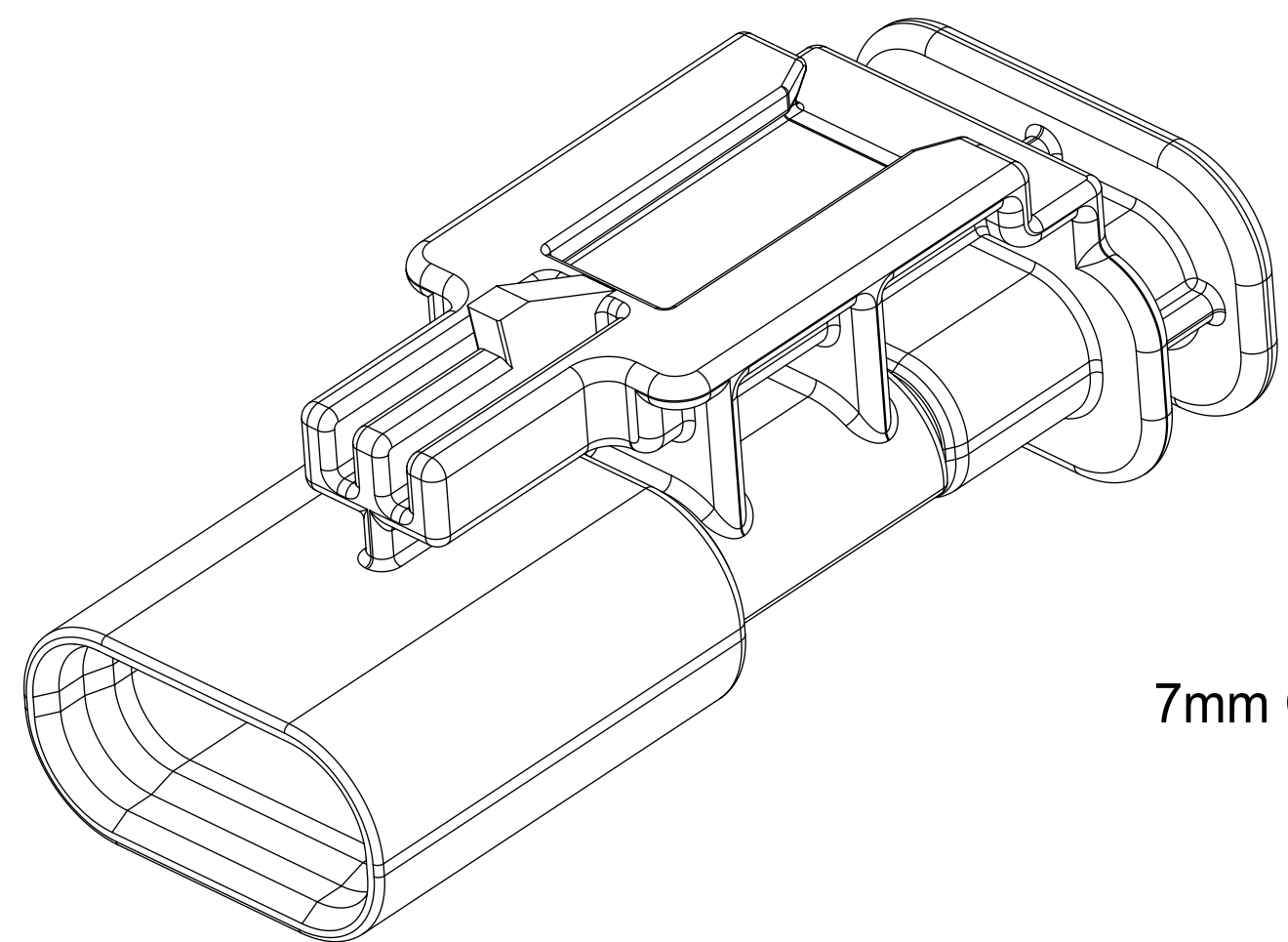
KEYING OPTION C



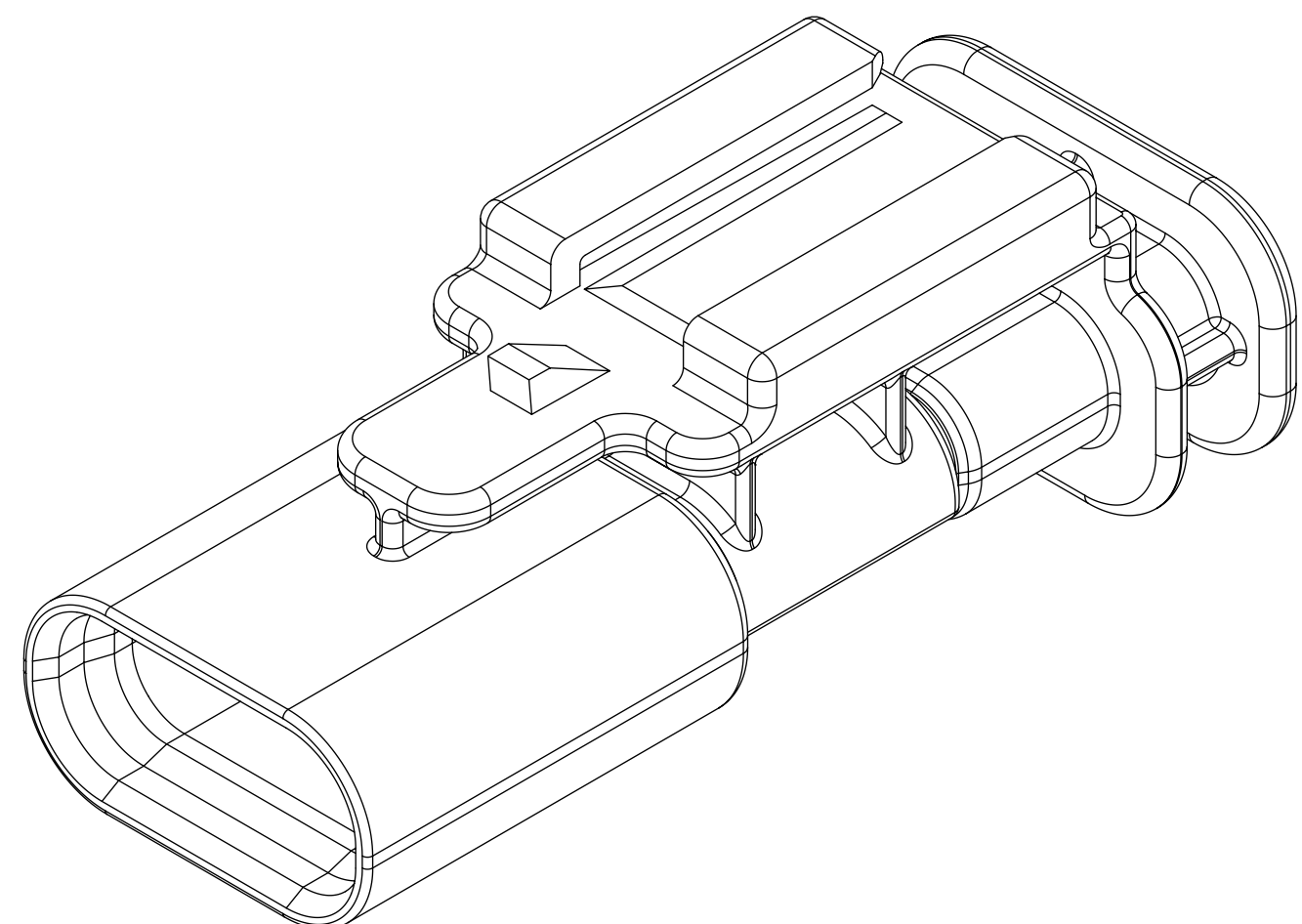
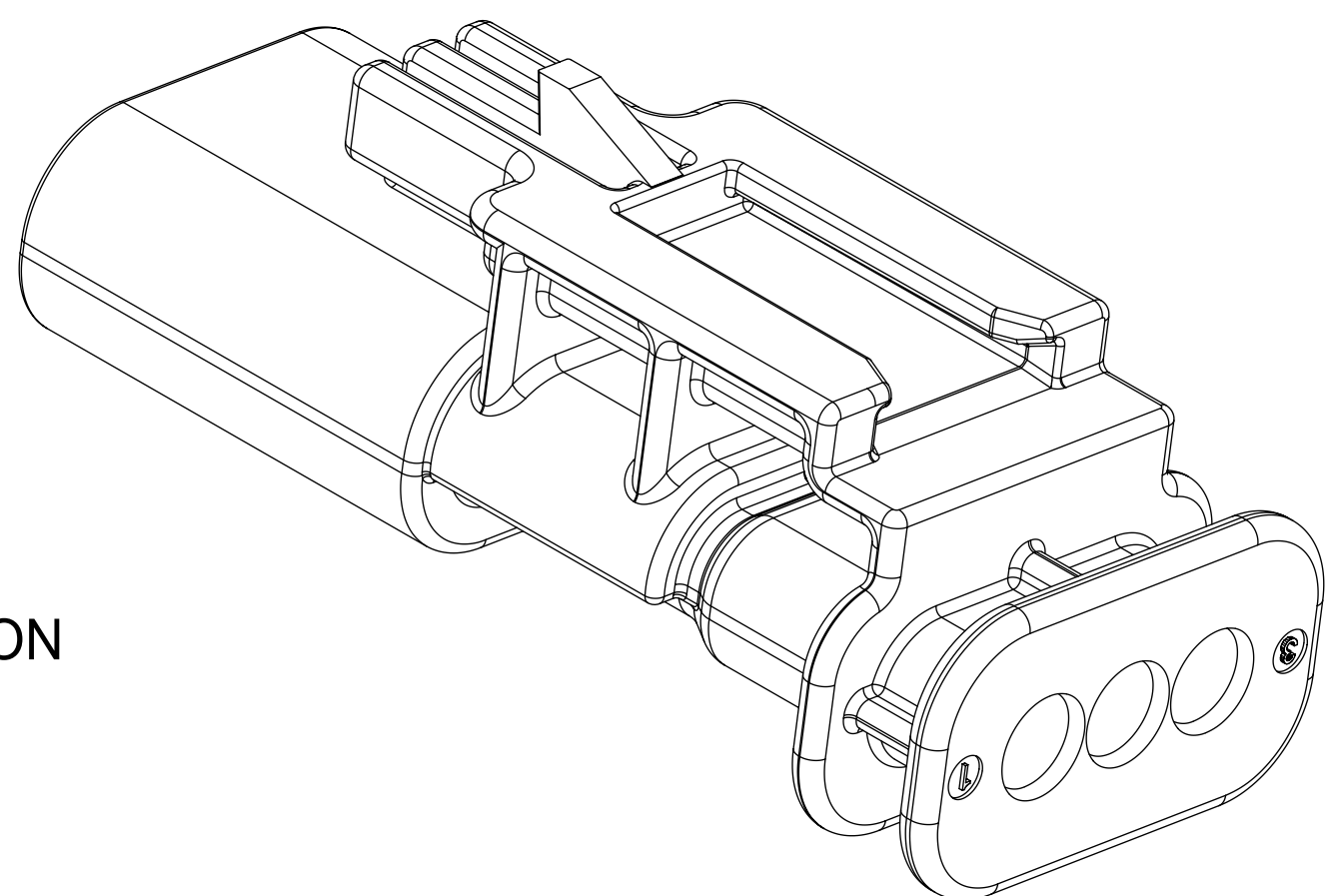
KEYING OPTION D

QUALITY SYMBOLS 	THIS DRAWING CONTAINS INFORMATION THAT IS PROPRIETARY TO MOLEX ELECTRONIC TECHNOLOGIES, LLC AND SHOULD NOT BE USED WITHOUT WRITTEN PERMISSION										
	2017/04/11	2017/06/22	GENERAL TOLERANCES (UNLESS SPECIFIED)		DIMENSION UNITS	SCALE					
					MM	5:1					
	EC NO: 117908 DRWN: VYARAPPA CHK'D: REV APPR: KDEKOSKI	ANGULAR TOL ± 3.0 °		DRWN BY	DATE	SKRAJENDRANA 2013/11/06		1.2MM 1X2, 1X3 BLADE SEALED ASSEMBLY CABLE SEAL PRODUCT CUSTOMER DRAWING			
		4 PLACES ±		CHKD BY	DATE						
		3 PLACES ±		APPR BY	DATE						
		2 PLACES ± 0.1									
	1 PLACE ± 0.2		DRAWING SIZE	THIRD ANGLE PROJECTION	34899		SEE BOM		GENERAL MARKET		
	0 PLACES ± 0.5		DRAFT WHERE APPLICABLE MUST REMAIN WITHIN DIMENSIONS		D				DOCUMENT NUMBER: SD-34899-2001 DOC TYPE: PSD DOC PART: 001 SHEET NUMBER: 3 OF 11		

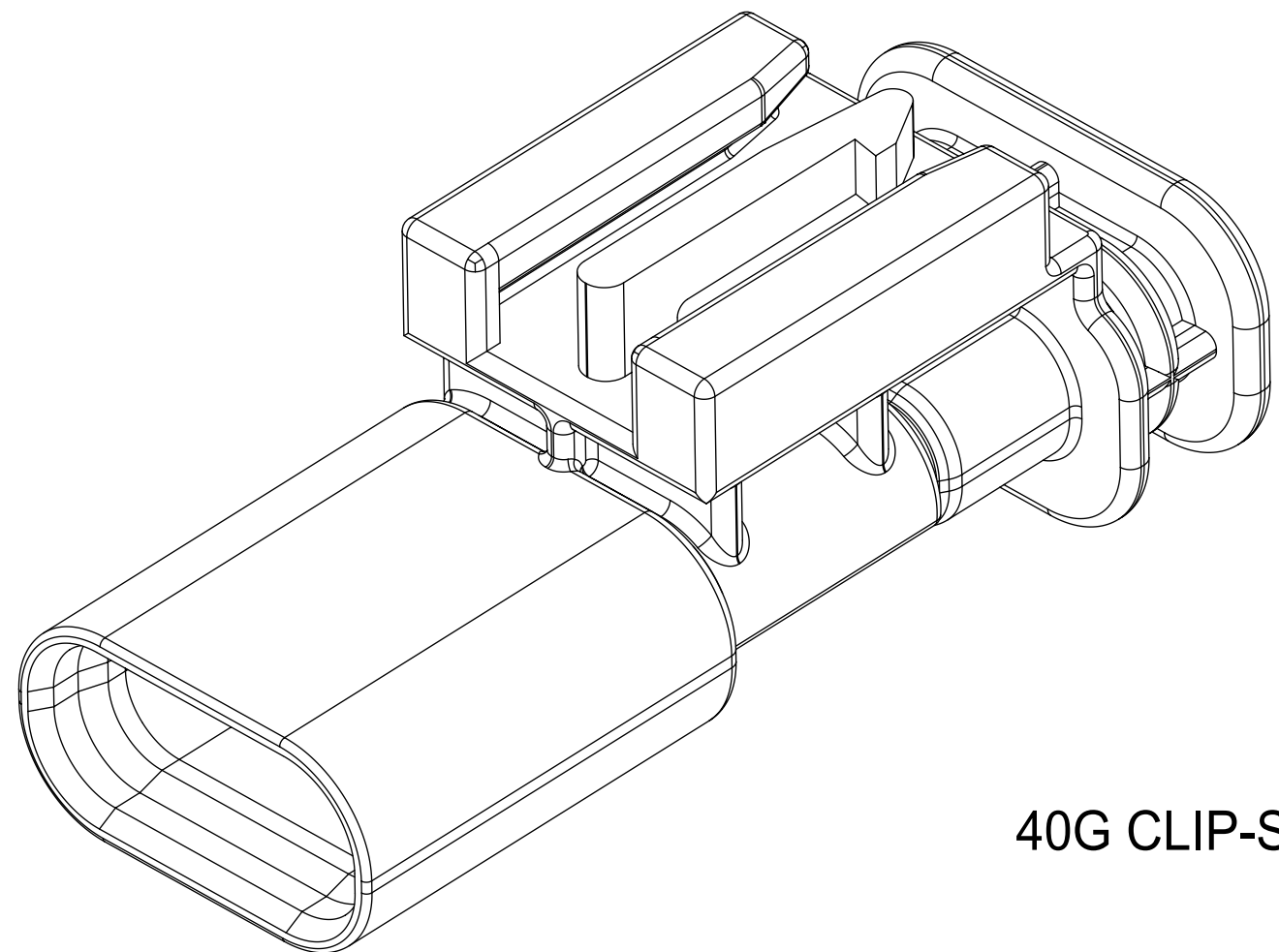
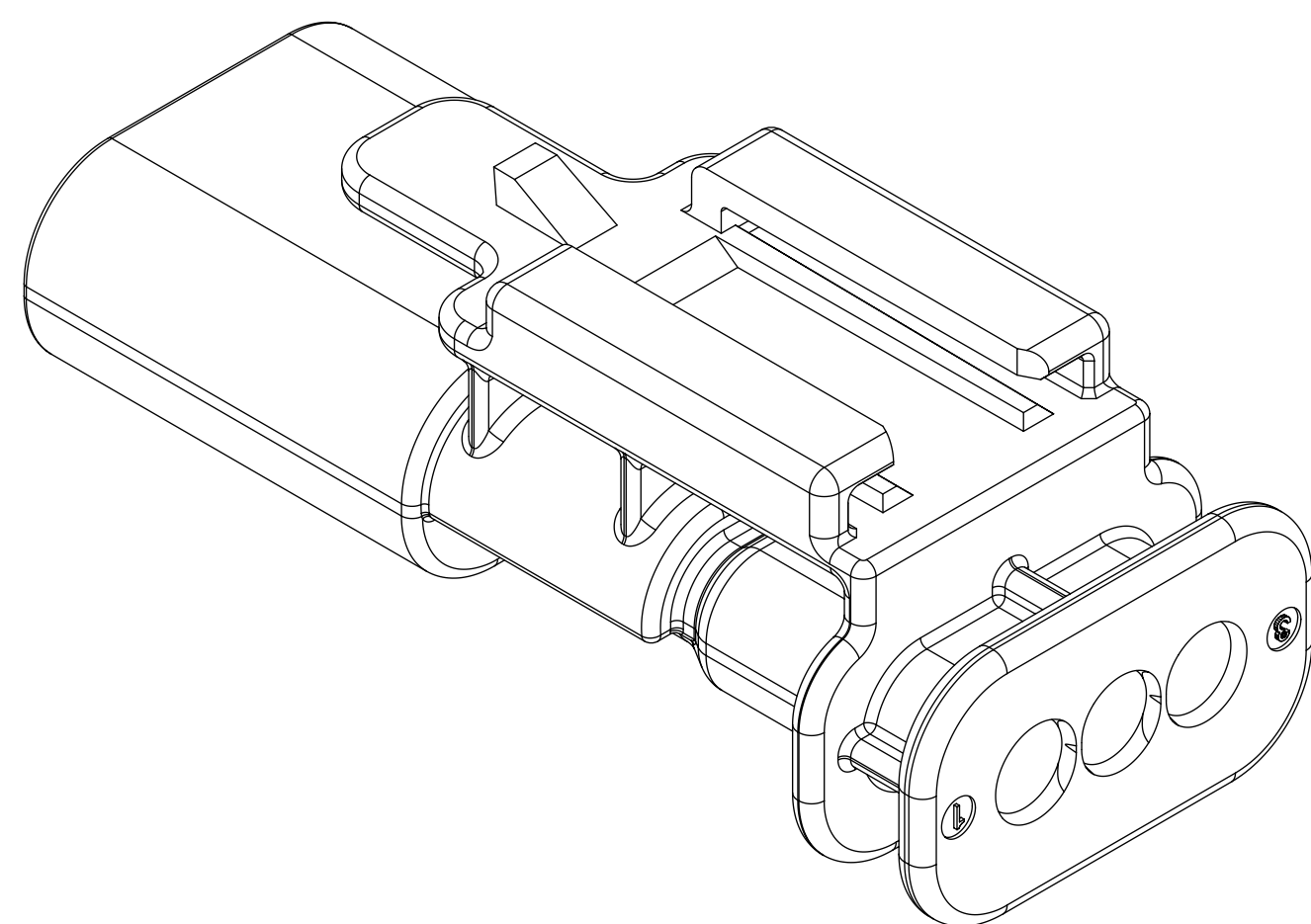
CLIP-SLOT CONFIGURATIONS. FOR PART NUMBERS REFER TO BOM SHEET.



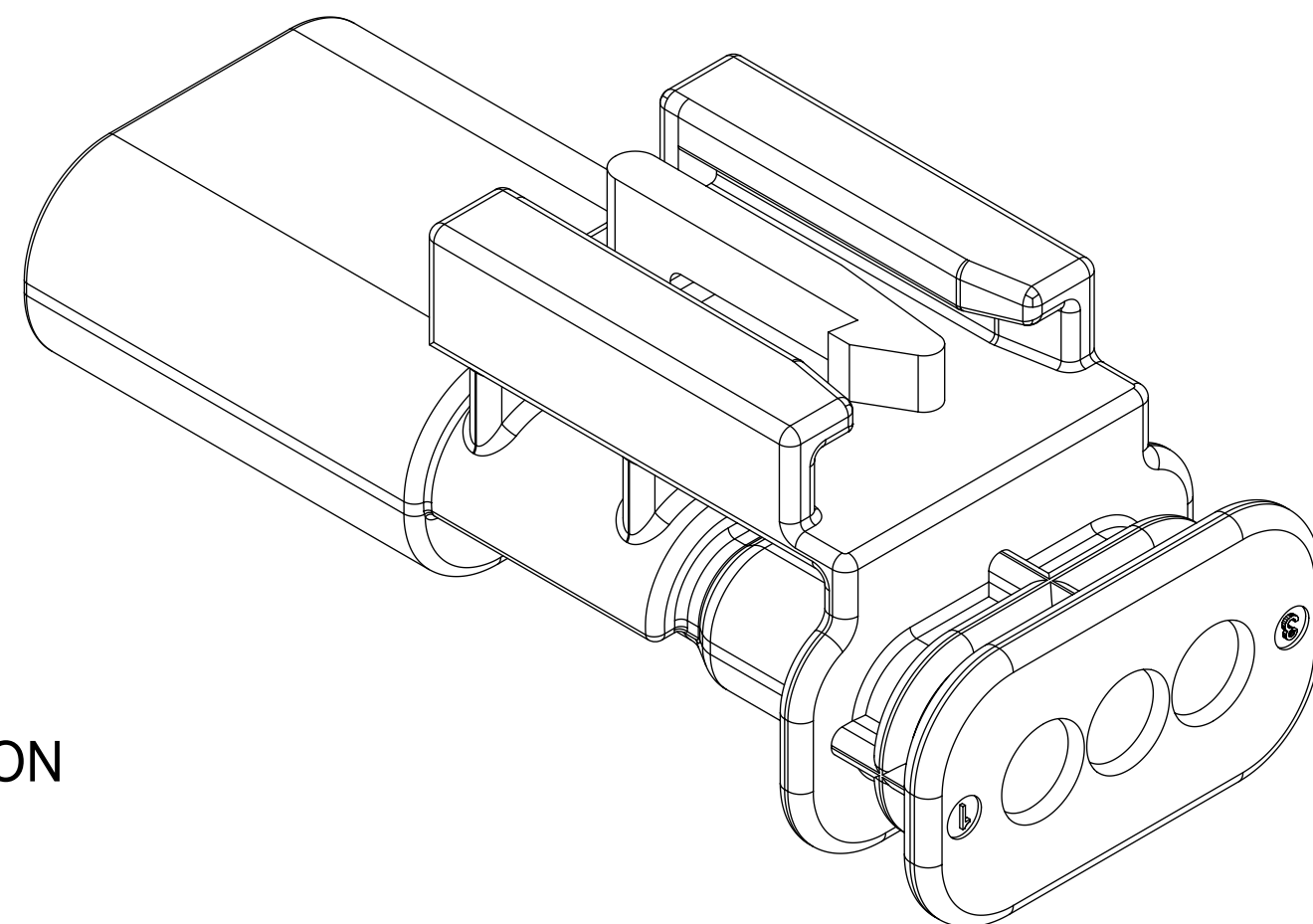
7mm CLIP-SLOT OPTION



11mm CLIP-SLOT OPTION

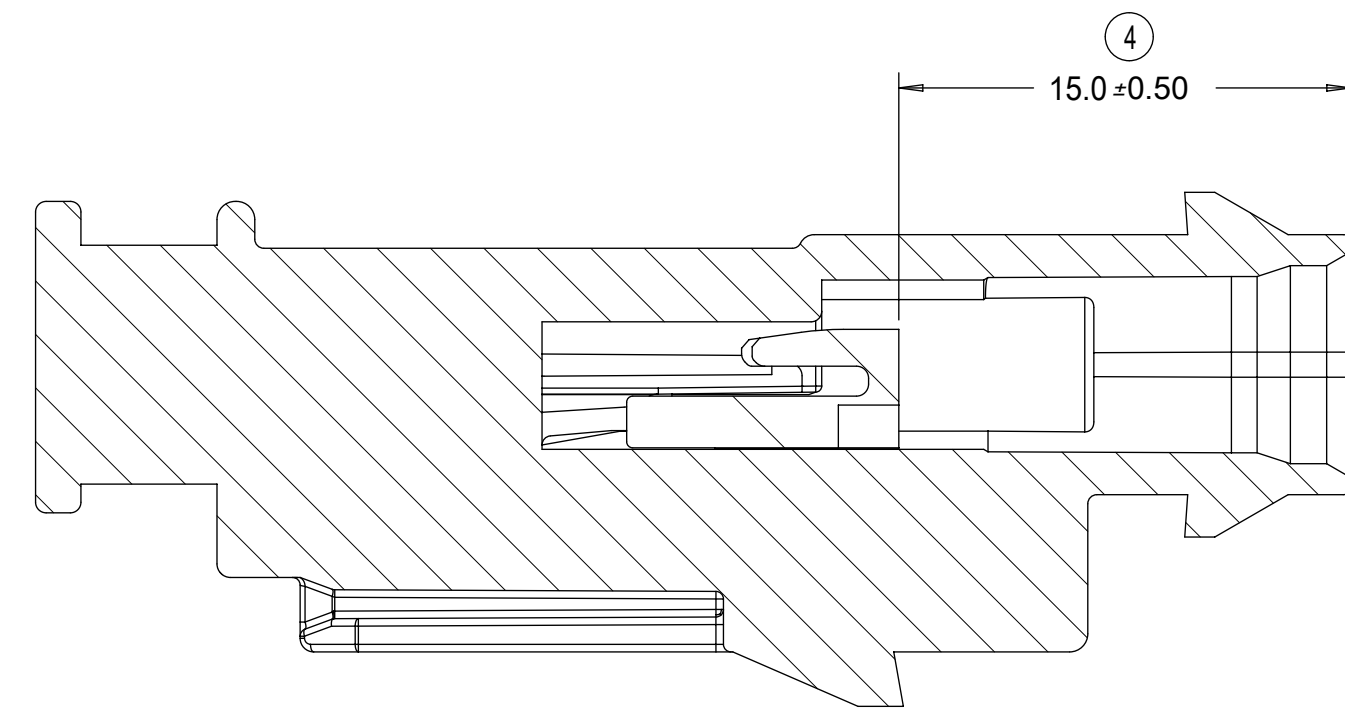
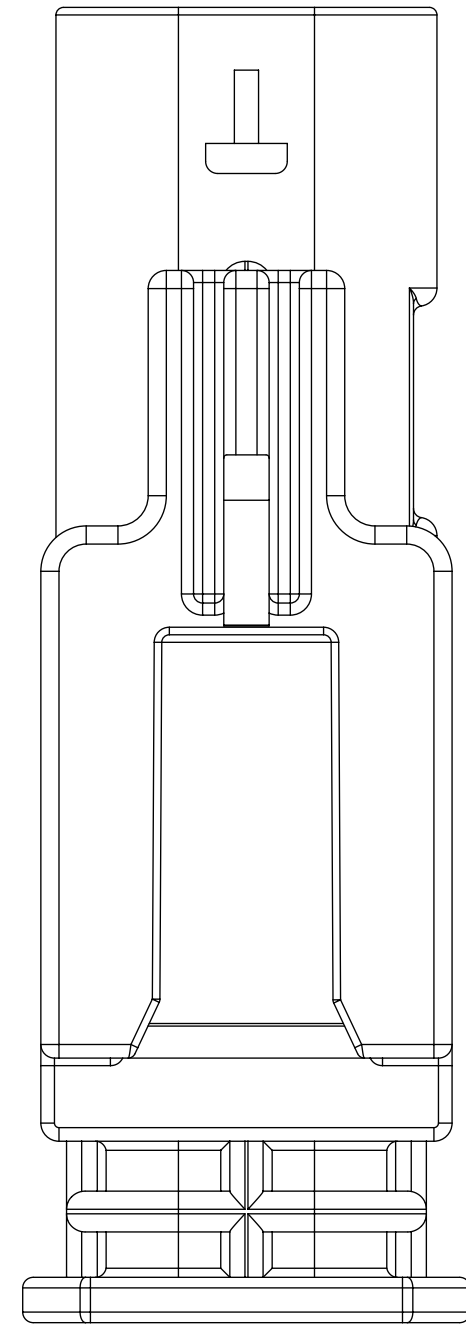
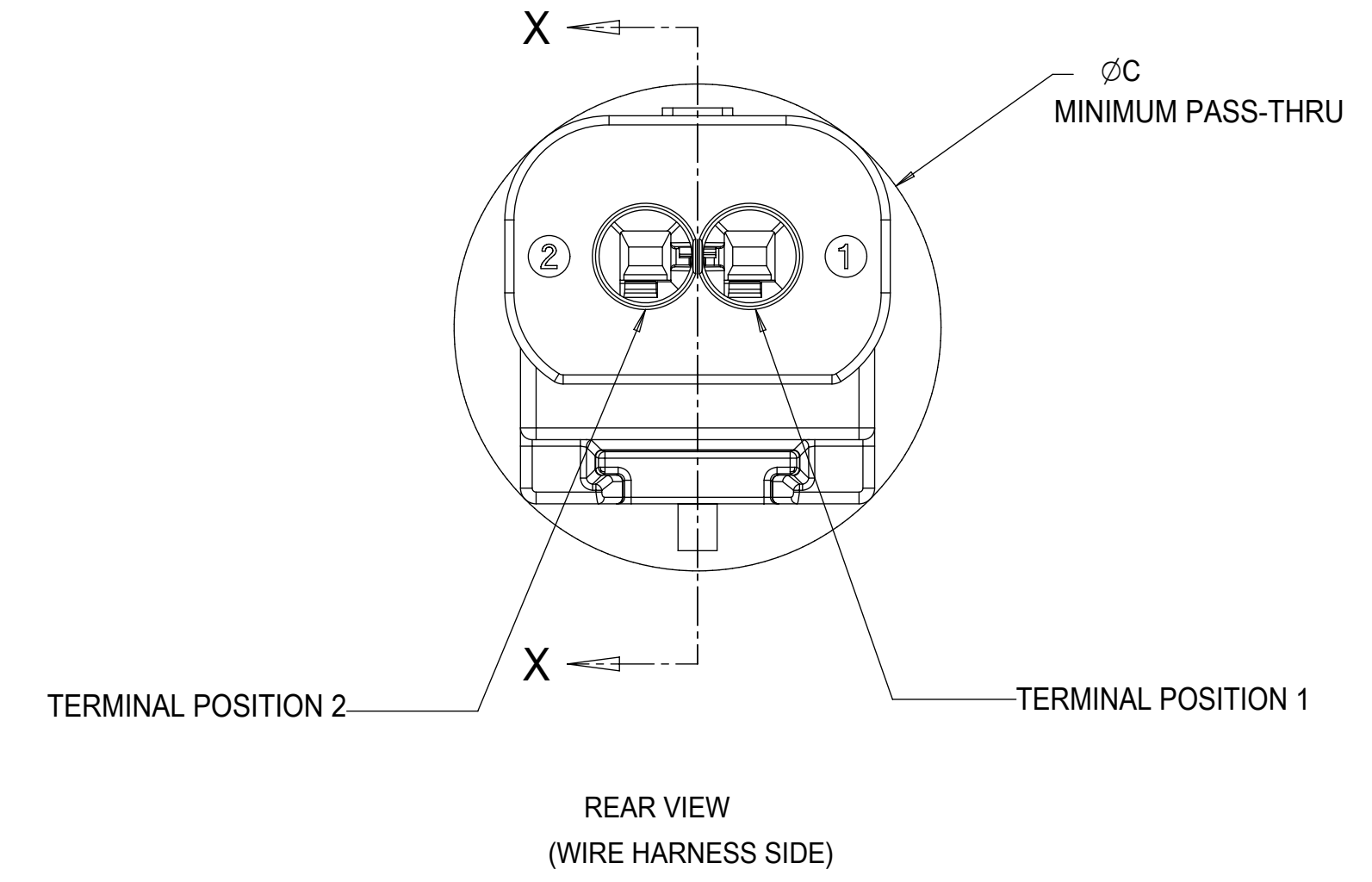
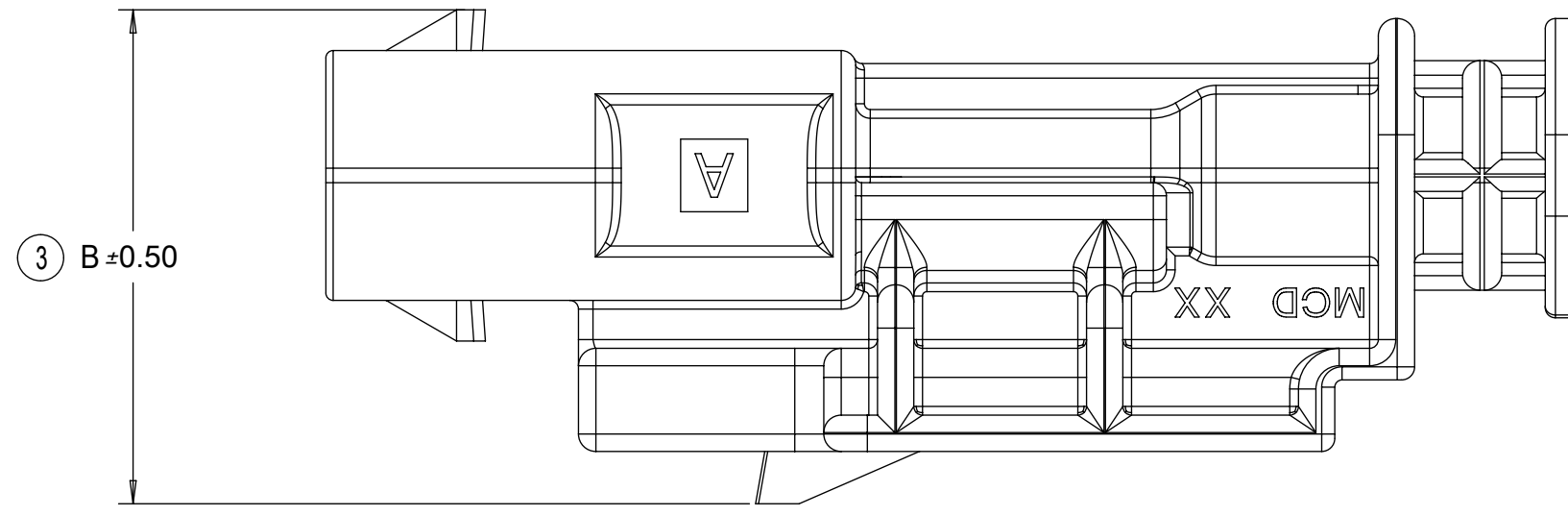
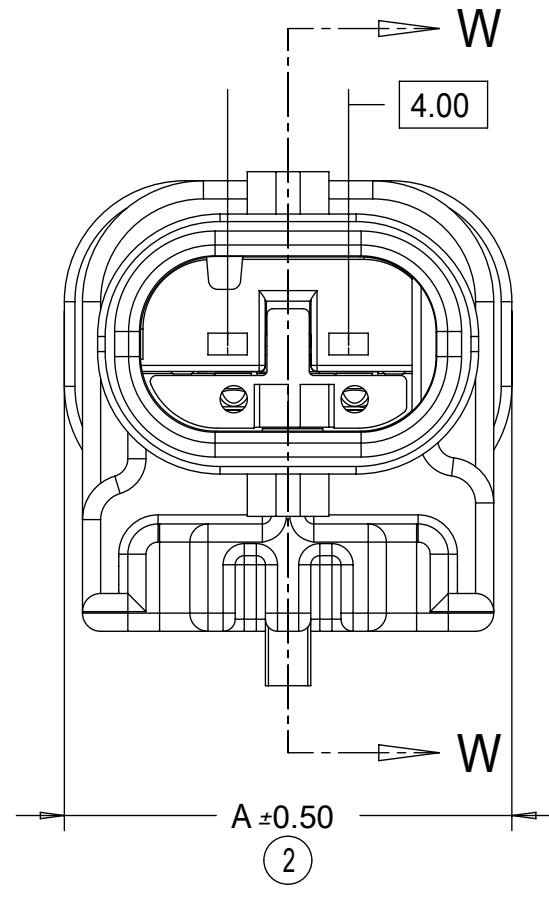
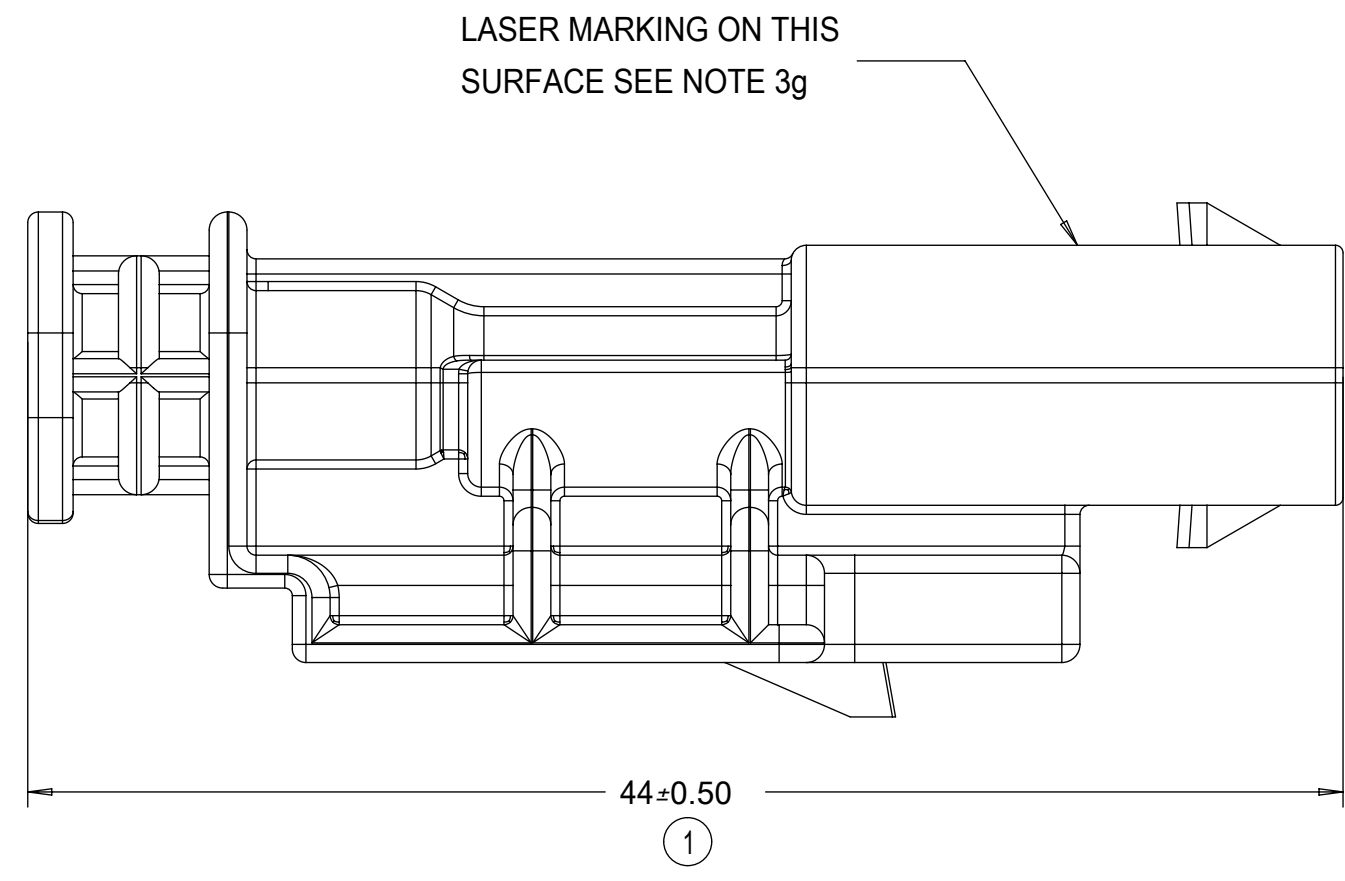


40G CLIP-SLOT OPTION



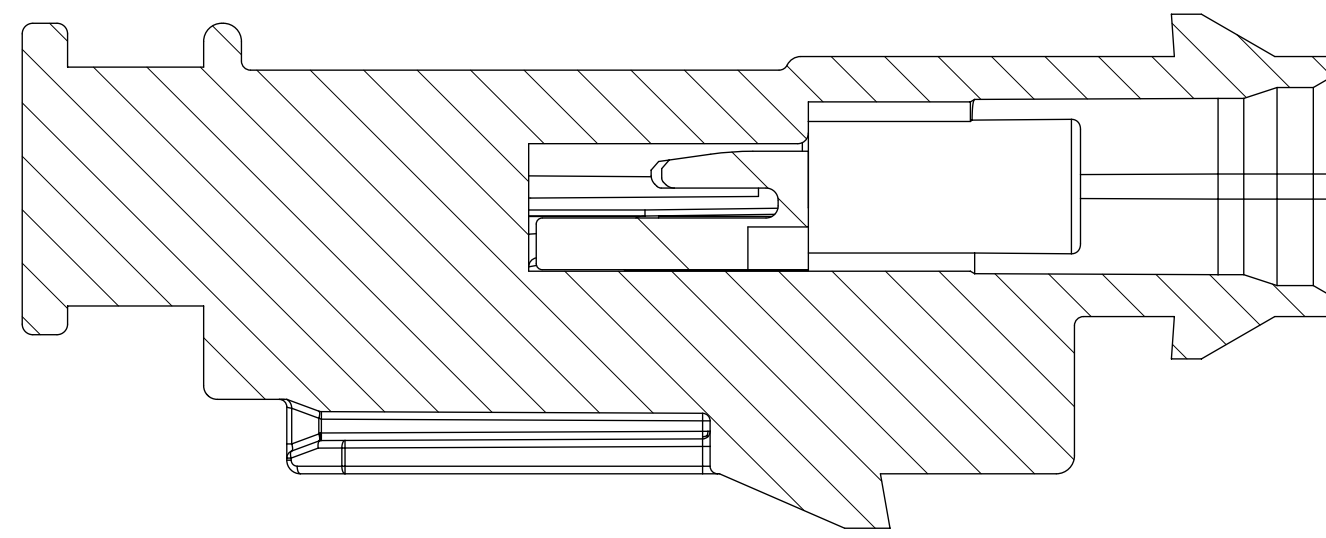
QUALITY SYMBOLS ▽ = 0 ▽ = 0 ▽ = 0 ▽ = 0 ▽ = 0 ▽ = 0 ▽ = 0 ▽ = 0 ▽ = 0		THIS DRAWING CONTAINS INFORMATION THAT IS PROPRIETARY TO MOLEX ELECTRONIC TECHNOLOGIES, LLC AND SHOULD NOT BE USED WITHOUT WRITTEN PERMISSION		DIMENSION UNITS MM		SCALE 4:1			
EC NO: 117908 DRWN: VYARAPPA CHK'D: REV APPR: KDEKOSKI		2017/04/11 2017/06/22		GENERAL TOLERANCES (UNLESS SPECIFIED) ANGULAR TOL ± 3.0 °		DRWN BY SKRAJENDRANA			
4 PLACES ± 3 PLACES ± 2 PLACES ± 0.1 1 PLACE ± 0.2 0 PLACES ± 0.5		DRAFT WHERE APPLICABLE MUST REMAIN WITHIN DIMENSIONS		APPR BY DATE		CHKD BY DATE		PRODUCT CUSTOMER DRAWING	
A15		D		DRAWING SIZE D		THIRD ANGLE PROJECTION		SERIES 34899	
RELEASE STATUS P1		RELEASE DATE 22.06.2017 19:25:24		DOCUMENT NUMBER SD-34899-2001		DOC TYPE PSD		DOC PART 001	
19		18		17		16		15	
14		13		12		11		10	
9		8		7		6		5	
4		3		2		1		4 OF 11	

BLADE SEALED ASSEMBLY



PRIMARY LOCK REINFORCEMENT (PLR) SHOWN
IN THE PRE-STAGED POSITION

SECTION W-W



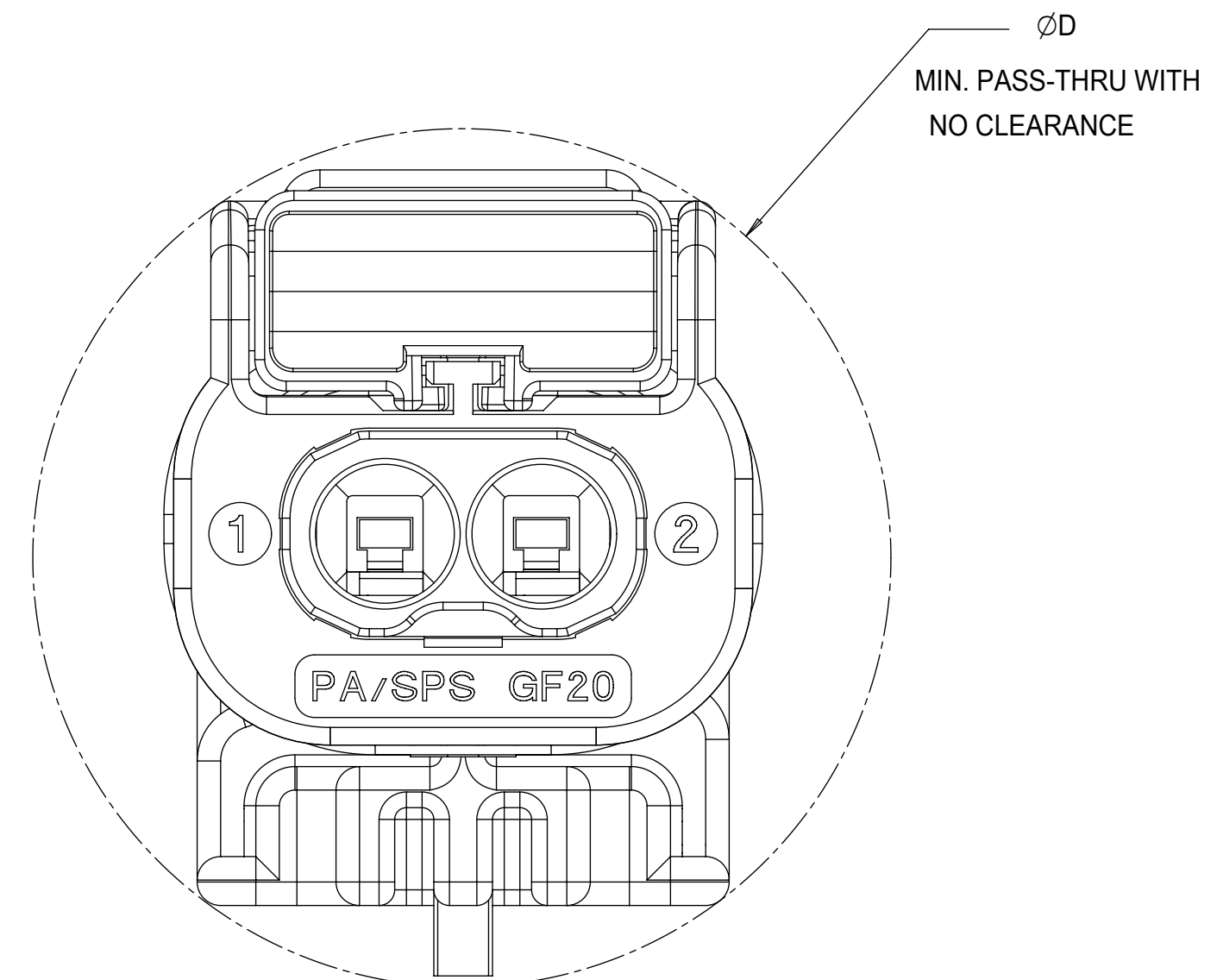
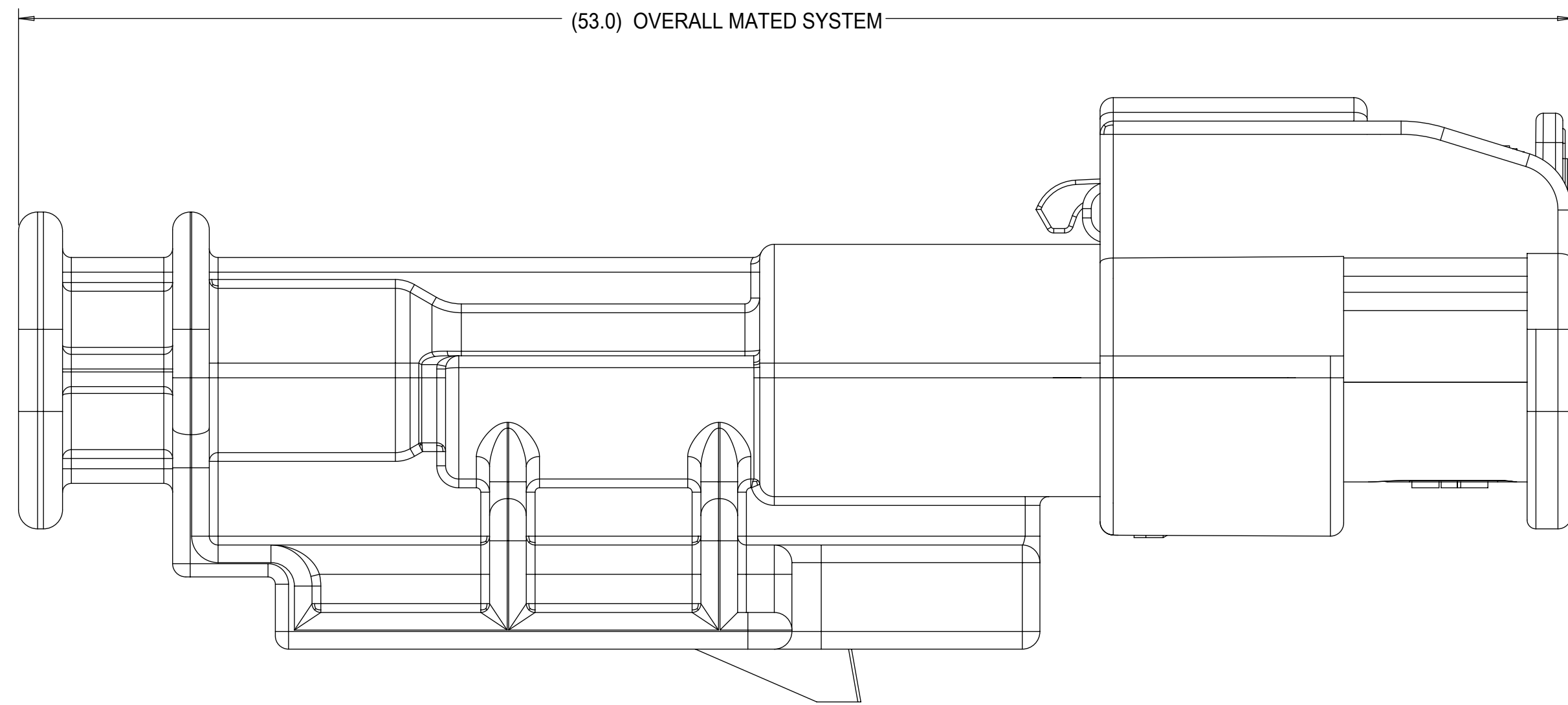
PRIMARY LOCK REINFORCEMENT (PLR) SHOWN
IN THE FINAL-LOCK POSITION

SECTION X-X

1x3 BLADE SEALED ASSEMBLY, 40G CLIP SLOT	19	16.75	21.75
1x3 BLADE SEALED ASSEMBLY, 11mm CLIP SLOT	19	14.6	20.75
1x3 BLADE SEALED ASSEMBLY, 7mm CLIP SLOT	19	17	20.5
1x2 BLADE SEALED ASSEMBLY, 40G CLIP SLOT	15	16.75	20.25
1x2 BLADE SEALED ASSEMBLY, 11mm CLIP SLOT	15	15.5	19
1x2 BLADE SEALED ASSEMBLY, 7mm CLIP SLOT	15	17	18.75
CONFIGURATION	A	B	C
CHARTED DIMENSIONS			

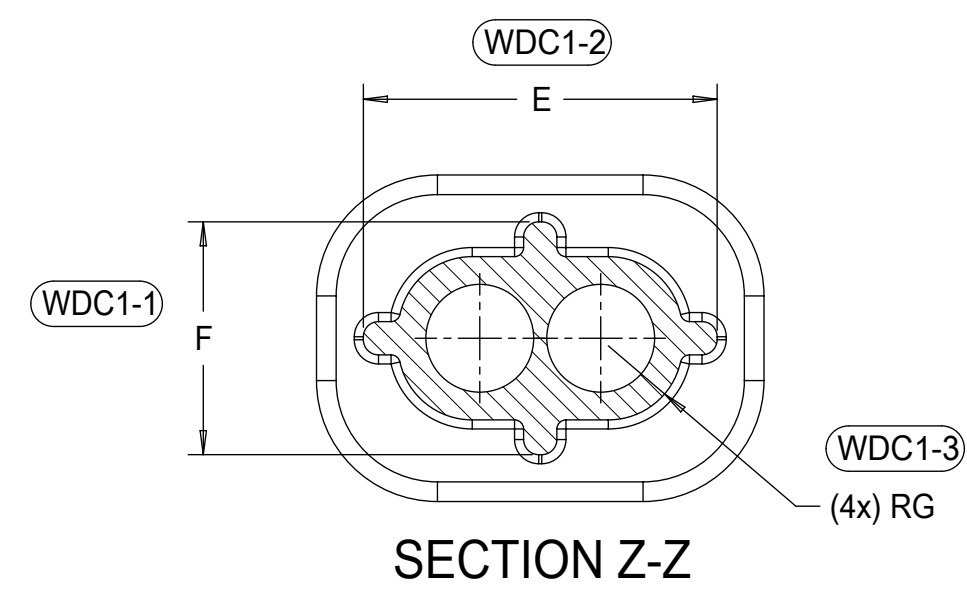
QUALITY SYMBOLS		THIS DRAWING CONTAINS INFORMATION THAT IS PROPRIETARY TO MOLEX ELECTRONIC TECHNOLOGIES, LLC AND SHOULD NOT BE USED WITHOUT WRITTEN PERMISSION	
▽ = 0	2017/04/11	2017/06/22	GENERAL TOLERANCES (UNLESS SPECIFIED)
▽ = 0			DIMENSION UNITS: MM
▽ = 0	EC NO: 117908 DRWN: VYARAPPA CHKD: REV APPR: KDEKOSKI	A15	SCALE: 4:1
▽ = 0			DRWN BY: SKRAJENDRANA
▽ = 0			DATE: 2013/11/06
▽ = 0			CHKD BY:
▽ = 0	APPR BY:	DATE:	PRODUCT CUSTOMER DRAWING
▽ = 0			SERIES: 34899
▽ = 0	DRAFT WHERE APPLICABLE MUST REMAIN WITHIN DIMENSIONS	D	THIRD ANGLE PROJECTION
▽ = 0			DOCUMENT NUMBER: SD-34899-2001
▽ = 0			DOC TYPE: PSD
		DOC PART: 001	
		SHEET NUMBER: 5 OF 11	

CONNECTION SYSTEM PACKAGING



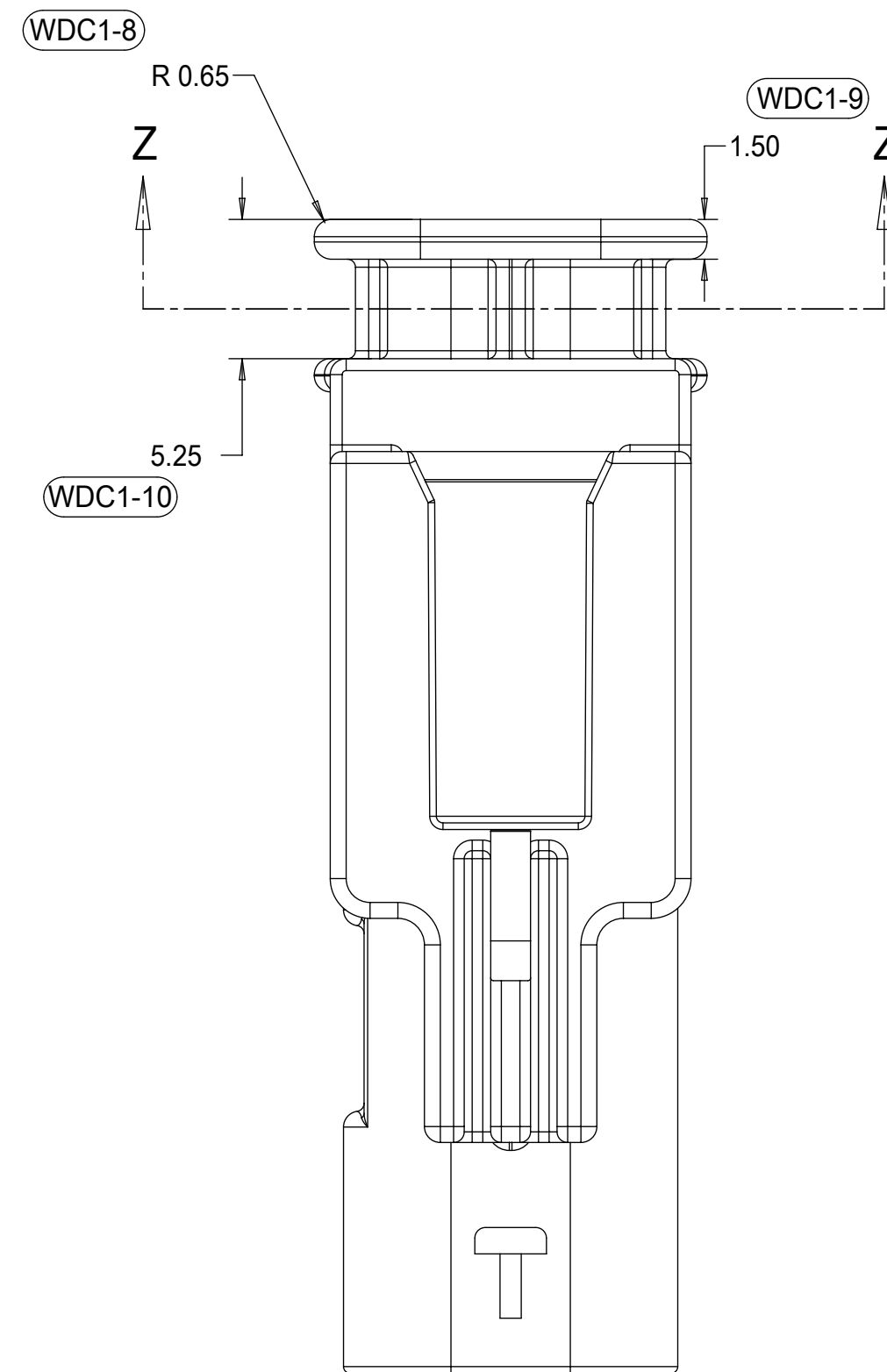
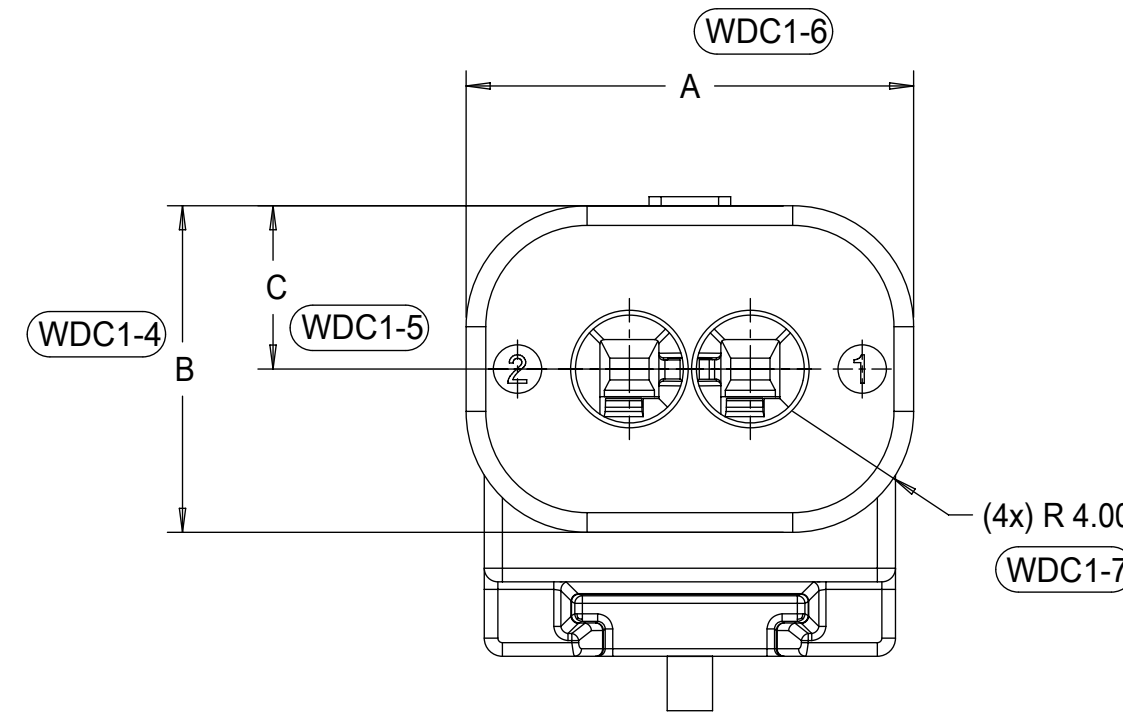
1x3 RECEPTACLE MATED TO 1x3 BLADE, 40 CLIP SLOT	TBD
1x3 RECEPTACLE MATED TO 1x3 BLADE, 11mm CLIP SLOT	24.0
1x3 RECEPTACLE MATED TO 1x3 BLADE, 7mm CLIP SLOT	23.0
1x2 RECEPTACLE MATED TO 1x2 BLADE, 40G CLIP SLOT	23.0
1x2 RECEPTACLE MATED TO 1x2 BLADE, 11mm CLIP SLOT	23.0
1x2 RECEPTACLE MATED TO 1x2 BLADE, 7mm CLIP SLOT	23.0
1.2mm CONNECTION SYSTEM CONFIGURATION	D
CHARTED DIMENSIONS	

QUALITY SYMBOLS □ = 0 ▽ = 0 ▽ = 0 ▽ = 0 ▽ = 0 ▽ = 0 ▽ = 0 ▽ = 0 ▽ = 0 ▽ = 0 ▽ = 0	THIS DRAWING CONTAINS INFORMATION THAT IS PROPRIETARY TO MOLEX ELECTRONIC TECHNOLOGIES, LLC AND SHOULD NOT BE USED WITHOUT WRITTEN PERMISSION		DIMENSION UNITS MM		SCALE 6:1				
	EC NO: 117908 DRWN: VYARAPPA CHK'D: REV APPR: KDEKOSKI	2017/04/11 2017/06/22	GENERAL TOLERANCES (UNLESS SPECIFIED) ANGULAR TOL ± 3.0 ° 4 PLACES ± 3 PLACES ± 2 PLACES ± 0.1 1 PLACE ± 0.2 0 PLACES ± 0.5		DRWN BY SKRAJENDRANA				DATE 2013/11/06
DRAFT WHERE APPLICABLE MUST REMAIN WITHIN DIMENSIONS		DRAWING SIZE D		THIRDO ANGLE PROJECTION		PRODUCT CUSTOMER DRAWING		SERIES: 34899 MATERIAL NUMBER: SEE BOM CUSTOMER: GENERAL MARKET	
RELEASE STATUS: P1 RELEASE DATE: 22.06.2017 19:25:24		DOCUMENT NUMBER: SD-34899-2001		DOC TYPE: PSD		DOC PART: 001			

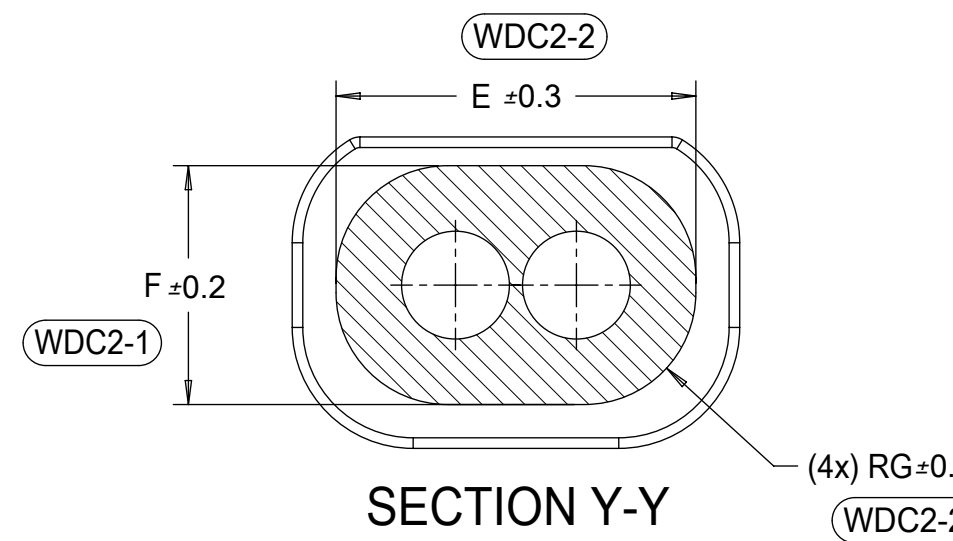


3 CIRCUIT	18.8	10.8	5.4	15.7	7.7	2.45
2 CIRCUIT	14.8	10.8	5.4	11.7	7.7	2.45
CONFIGURATION	A	B	C	E	F	G

CHARTED DIMENSIONS

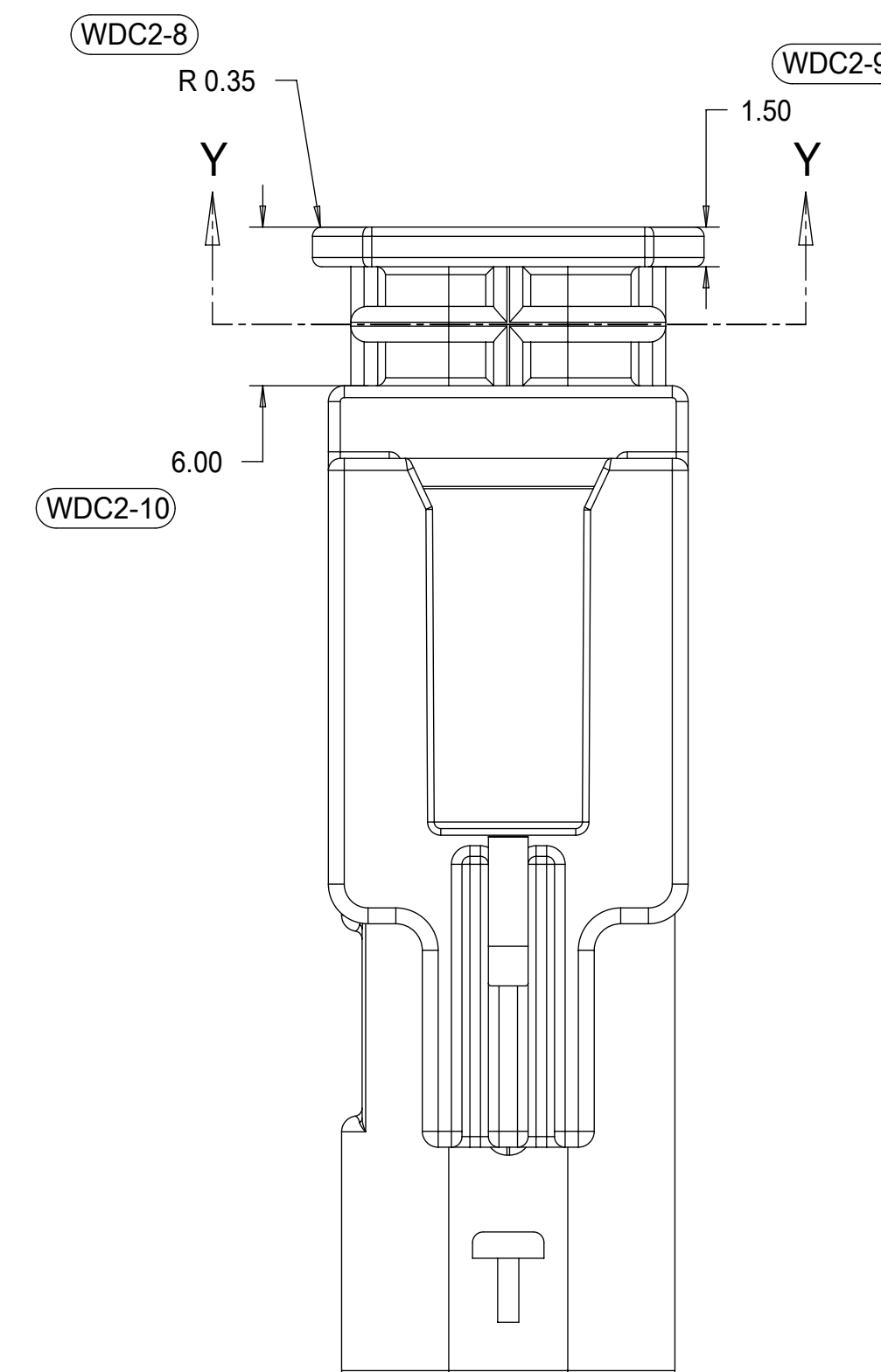
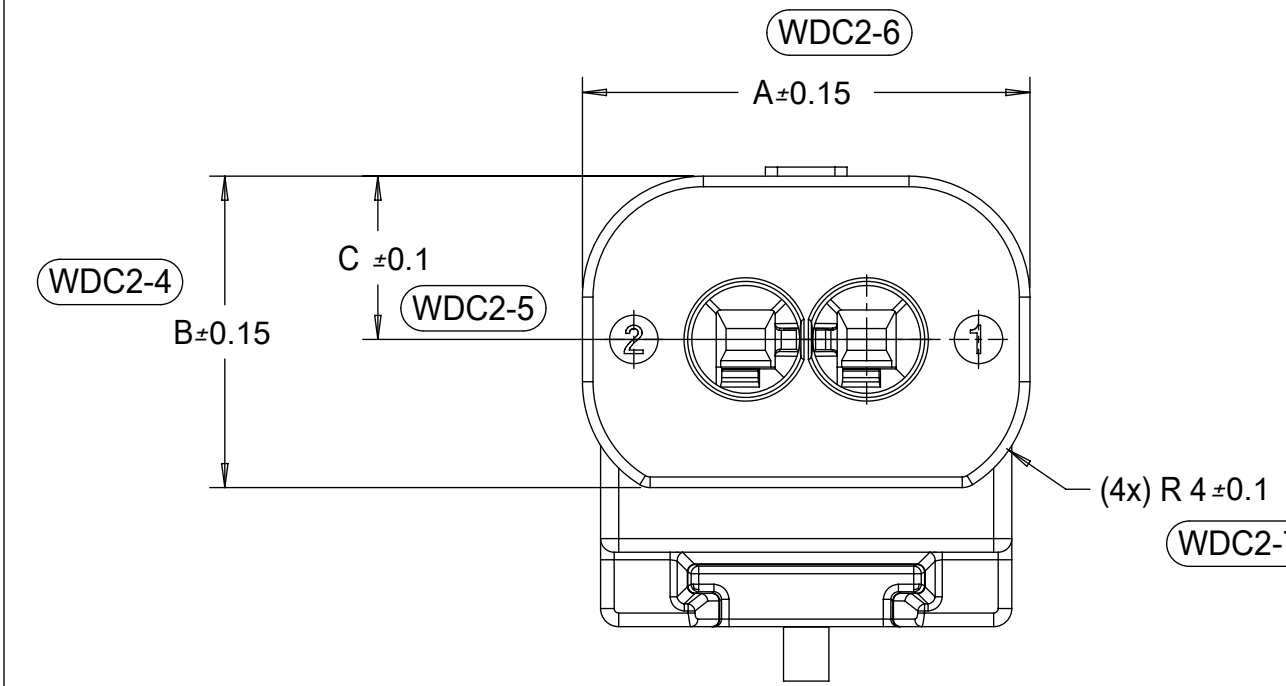


WIRE DRESS COVER
 INTERFACE OPTION 1
 WIRE DRESS COVERS
 NOT AVAILABLE



3 CIRCUIT	18.8	10.8	5.4	15.9	7.9	3.7
2 CIRCUIT	14.8	10.3	5.4	11.9	7.9	3.7
CONFIGURATION	A	B	C	E	F	G

CHARTED DIMENSIONS



WIRE DRESS COVER
 INTERFACE OPTION 2
 BASED ON HIRSCHMANN INTERFACE
 DRAWING 808-012-xxx REV B5

QUALITY SYMBOLS 	THIS DRAWING CONTAINS INFORMATION THAT IS PROPRIETARY TO MOLEX ELECTRONIC TECHNOLOGIES, LLC AND SHOULD NOT BE USED WITHOUT WRITTEN PERMISSION				GENERAL TOLERANCES (UNLESS SPECIFIED) DIMENSION UNITS: MM SCALE: 4:1		 1.2MM 1X2, 1X3 BLADE SEALED ASSEMBLY CABLE SEAL PRODUCT CUSTOMER DRAWING	
	DRWN BY: 2017/04/11 SKRAJENDRANA DATE: 2013/11/06	CHKD BY: 2017/06/22 DATE:		APPR BY:		SERIES: 34899		
	4 PLACES ± 3 PLACES ± 2 PLACES ± 0.1 1 PLACE ± 0.2 0 PLACES ± 0.5		DRAFT WHERE APPLICABLE MUST REMAIN WITHIN DIMENSIONS		DRAWING SIZE: D THIRD ANGLE PROJECTION			MATERIAL NUMBER: SEE TABLE CUSTOMER: GENERAL MARKET
	EC NO: 117908 DRWN: VYARAPPA CHKD: KDEKOSKI REV: APPR:		A15		DOCUMENT NUMBER: SD-34899-2001 DOC TYPE: PSD DOC PART: 001 SHEET NUMBER: 7 OF 11			

1x2 BLADE SEALED ASSEMBLY BOM
 FOR WIRE DRESS COVER INTERFACE 2
 REFER WIRE DRESS COVER INTERFACE SHEET
 FOR DETAILS

KEYING OPTION A, 40G CLIP SLOT, BLACK	34899-2060	2									A	OK TO TOOL	
KEYING OPTION A, 40G CLIP SLOT, YELLOW	34899-2050	2									A	OK TO TOOL	
KEYING OPTION E, 7mm CLIP SLOT, STONE GRAY	34899-2083	2									E	OK TO TOOL	
KEYING OPTION C, 7mm CLIP SLOT, DARK GRAY	34899-2082	2									C	SALEABLE	
KEYING OPTION B, 7mm CLIP SLOT, LIGHT GRAY	34899-2081	2									B	SALEABLE	
KEYING OPTION A, 7mm CLIP SLOT, BLACK	34899-2080	2									A	SALEABLE	
KEYING OPTION E, 7mm CLIP SLOT, YELLOW	34899-2073	2									E	OK TO TOOL	
KEYING OPTION C, 7mm CLIP SLOT, YELLOW	34899-2072	2									C	SALEABLE	
KEYING OPTION B, 7mm CLIP SLOT, YELLOW	34899-2071	2									B	SALEABLE	
KEYING OPTION A, 7mm CLIP SLOT, YELLOW	34899-2070	2									A	SALEABLE	
ASSEMBLY DESCRIPTION	ASSEMBLY PART NUMBER	WIRE DRESS COVER INTERFACE OPTION										PRODUCTION TOOL STATUS	COMMENTS

PLR	NATURAL	SPS/NYLON GF20
1x2 CONNECTOR HOUSING, KEYING OPTION A 40G CLIP SLOT	BLACK	SPS/NYLON GF20
1x2 CONNECTOR HOUSING, KEYING OPTION A 40G CLIP SLOT	YELLOW	SPS/NYLON GF20
1x2 CONNECTOR HOUSING, KEYING OPTION E 7mm CLIP SLOT	STONE GRAY	SPS/NYLON GF20
1x2 CONNECTOR HOUSING, KEYING OPTION C 7mm CLIP SLOT	DARK GRAY	SPS/NYLON GF20
1x2 CONNECTOR HOUSING, KEYING OPTION B 7mm CLIP SLOT	LIGHT GRAY	SPS/NYLON GF20
1x2 CONNECTOR HOUSING, KEYING OPTION A 7mm CLIP SLOT	BLACK	SPS/NYLON GF20
1x2 CONNECTOR HOUSING, KEYING OPTION E 7mm CLIP SLOT	YELLOW	SPS/NYLON GF20
1x2 CONNECTOR HOUSING, KEYING OPTION C 7mm CLIP SLOT	YELLOW	SPS/NYLON GF20
1x2 CONNECTOR HOUSING, KEYING OPTION B 7mm CLIP SLOT	YELLOW	SPS/NYLON GF20
1x2 CONNECTOR HOUSING, KEYING OPTION A 7mm CLIP SLOT	YELLOW	SPS/NYLON GF20
DESCRIPTION	COLOR	MATERIAL

BOM/APPLICABLE COMPONENTS TABLE

ABBREVIATION	COMPONENT
A	CONNECTOR HOUSING KEYING OPTION A
B	CONNECTOR HOUSING KEYING OPTION B
C	CONNECTOR HOUSING KEYING OPTION C
E	CONNECTOR HOUSING KEYING OPTION E

QUALITY SYMBOLS	THIS DRAWING CONTAINS INFORMATION THAT IS PROPRIETARY TO MOLEX ELECTRONIC TECHNOLOGIES, LLC AND SHOULD NOT BE USED WITHOUT WRITTEN PERMISSION		
▽ = 0	EC NO: 117908 DRWN: VYARAPPA CHKD: REV APPR: KDEKOSKI	GENERAL TOLERANCES (UNLESS SPECIFIED)	DIMENSION UNITS SCALE
▽ = 0		ANGULAR TOL ± 3.0 °	MM
▽ = 0		4 PLACES ±	DRWN BY DATE
▽ = 0		3 PLACES ±	SKRAJENDRANA 2013/11/06
▽ = 0		2 PLACES ± 0.1	CHKD BY DATE
▽ = 0		1 PLACE ± 0.2	APPR BY DATE
▽ = 0		0 PLACES ± 0.5	DRAWING SIZE THIRD ANGLE PROJECTION
▽ = 0		DRAFT WHERE APPLICABLE MUST REMAIN WITHIN DIMENSIONS	D
RELEASE STATUS P1	RELEASE DATE 22.06.2017 19:25:24	molex®	
		1.2MM 1X2, 1X3 BLADE SEALED ASSEMBLY CABLE SEAL	
		PRODUCT CUSTOMER DRAWING	
		SERIES 34899	MATERIAL NUMBER SEE BOM
		CUSTOMER GENERAL MARKET	
		DOCUMENT NUMBER SD-34899-2001	DOC TYPE PSD
		DOC PART 001	SHEET NUMBER 9 OF 11

KEYING OPTION A, 40-G CLIP SLOT, BLACK	34899-3060	2																		A	CONCEPT	EM-34899-3050	
KEYING OPTION A, 40-G CLIP SLOT, YELLOW	34899-3050	2																		A	CONCEPT	EM-34899-3050	
KEYING OPTION D, 11mm CLIP SLOT, STONE GRAY	34899-3123	2																		D	OK TO TOOL	EM-34899-3033	
KEYING OPTION C, 11mm CLIP SLOT, DARK GRAY	34899-3122	2																		C	OK TO TOOL	EM-34899-3032	
KEYING OPTION B, 11mm CLIP SLOT, LIGHT GRAY	34899-3121	2																		B	SALEABLE	EM-34899-3031	
KEYING OPTION A, 11mm CLIP SLOT, BLACK	34899-3120	2																		A	SALEABLE	EM-34899-3030	
KEYING OPTION D, 11mm CLIP SLOT, YELLOW	34899-3113	2																		D	OK TO TOOL	EM-34899-3033	
KEYING OPTION C, 11mm CLIP SLOT, YELLOW	34899-3112	2																		C	OK TO TOOL	EM-34899-3032	
KEYING OPTION B, 11mm CLIP SLOT, YELLOW	34899-3111	2																		B	SALEABLE	EM-34899-3031	
KEYING OPTION A, 11mm CLIP SLOT, YELLOW	34899-3110	2																		A	SALEABLE	EM-34899-3030	
KEYING OPTION D, 7mm CLIP SLOT, STONE GRAY	34899-3083	2																		D	OK TO TOOL	EM-34899-3073	
KEYING OPTION C, 7mm CLIP SLOT, DARK GRAY	34899-3082	2																		C	OK TO TOOL	EM-34899-3072	
KEYING OPTION B, 7mm CLIP SLOT, LIGHT GRAY	34899-3081	2																		B	SALEABLE	EM-34899-3071	
KEYING OPTION A, 7mm CLIP SLOT, BLACK	34899-3080	2																		A	SALEABLE	EM-34899-3070	
KEYING OPTION D, 7mm CLIP SLOT, YELLOW	34899-3073	2																		D	OK TO TOOL	EM-34899-3073	
KEYING OPTION C, 7mm CLIP SLOT, YELLOW	34899-3072	2																		C	OK TO TOOL	EM-34899-3072	
KEYING OPTION B, 7mm CLIP SLOT, YELLOW	34899-3071	2																		B	SALEABLE	EM-34899-3071	
KEYING OPTION A, 7mm CLIP SLOT, YELLOW	34899-3070	2																		A	SALEABLE	EM-34899-3070	
ASSEMBLY DESCRIPTION	ASSEMBLY PART NUMBER	WIRE DRESS COVER INTERFACE OPTION																			PRODUCTION TOOL STATUS	COMMENTS	MODEL NUMBER

1x3 BLADE SEALED ASSEMBLY BOM
FOR WIRE DRESS COVER INTERFACE 2
REFER WIRE DRESS COVER INTERFACE SHEET
FOR DETAILS

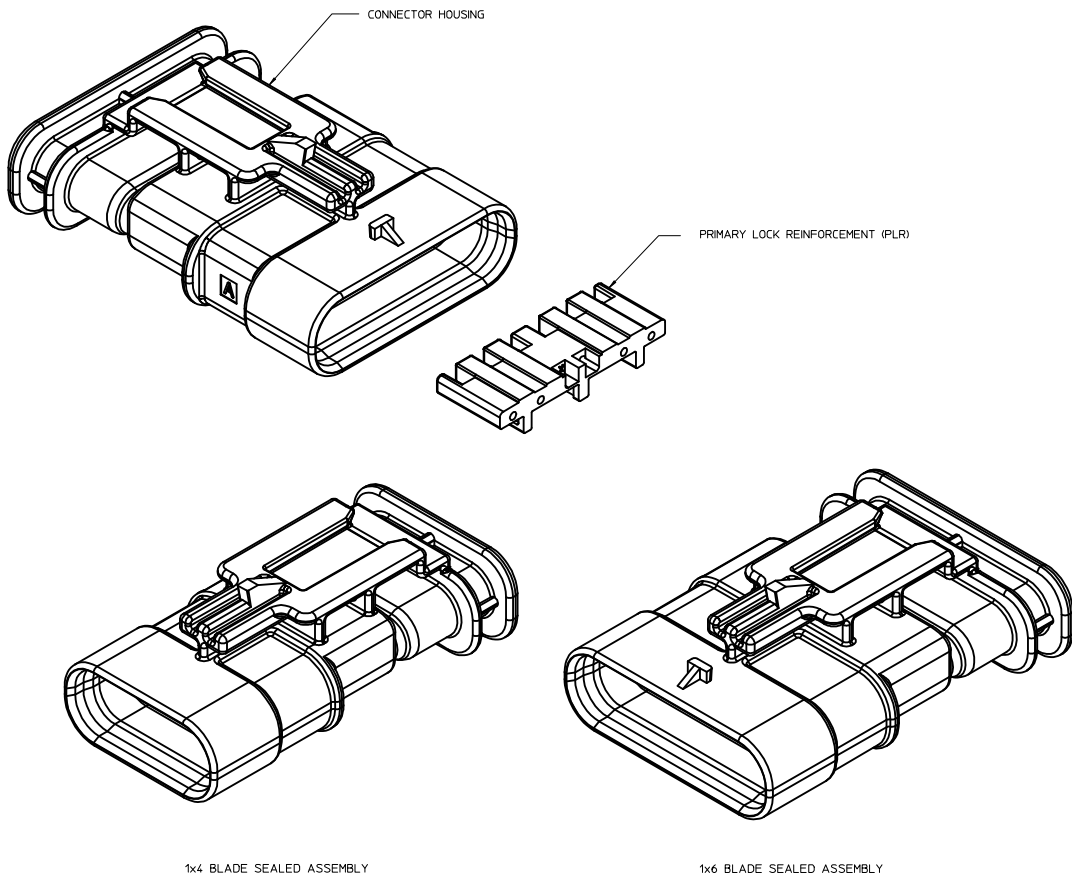
DESCRIPTION	COLOR	MATERIAL
PLR		
1x3 CONNECTOR HOUSING, KEYING OPTION A 40G CLIP SLOT	NATURAL	SPS/NYLON GF20
1x3 CONNECTOR HOUSING, KEYING OPTION A 40G CLIP SLOT	BLACK	SPS/NYLON GF20
1x3 CONNECTOR HOUSING, KEYING OPTION A 40G CLIP SLOT	YELLOW	SPS/NYLON GF20
1x3 CONNECTOR HOUSING, KEYING OPTION D 11mm CLIP SLOT	STONE GRAY	SPS/NYLON GF20
1x3 CONNECTOR HOUSING, KEYING OPTION C 11mm CLIP SLOT	DARK GRAY	SPS/NYLON GF20
1x3 CONNECTOR HOUSING, KEYING OPTION B 11mm CLIP SLOT	LIGHT GRAY	SPS/NYLON GF20
1x3 CONNECTOR HOUSING, KEYING OPTION A 11mm CLIP SLOT	BLACK	SPS/NYLON GF20
1x3 CONNECTOR HOUSING, KEYING OPTION D 11mm CLIP SLOT	YELLOW	SPS/NYLON GF20
1x3 CONNECTOR HOUSING, KEYING OPTION C 11mm CLIP SLOT	YELLOW	SPS/NYLON GF20
1x3 CONNECTOR HOUSING, KEYING OPTION B 11mm CLIP SLOT	YELLOW	SPS/NYLON GF20
1x3 CONNECTOR HOUSING, KEYING OPTION A 11mm CLIP SLOT	YELLOW	SPS/NYLON GF20
1x3 CONNECTOR HOUSING, KEYING OPTION D 7mm CLIP SLOT	STONE GRAY	SPS/NYLON GF20
1x3 CONNECTOR HOUSING, KEYING OPTION C 7mm CLIP SLOT	DARK GRAY	SPS/NYLON GF20
1x3 CONNECTOR HOUSING, KEYING OPTION B 7mm CLIP SLOT	LIGHT GRAY	SPS/NYLON GF20
1x3 CONNECTOR HOUSING, KEYING OPTION A 7mm CLIP SLOT	BLACK	SPS/NYLON GF20
1x3 CONNECTOR HOUSING, KEYING OPTION D 7mm CLIP SLOT	YELLOW	SPS/NYLON GF20
1x3 CONNECTOR HOUSING, KEYING OPTION C 7mm CLIP SLOT	YELLOW	SPS/NYLON GF20
1x3 CONNECTOR HOUSING, KEYING OPTION B 7mm CLIP SLOT	YELLOW	SPS/NYLON GF20
1x3 CONNECTOR HOUSING, KEYING OPTION A 7mm CLIP SLOT	YELLOW	SPS/NYLON GF20
DESCRIPTION	COLOR	MATERIAL
BOM/APPLICABLE COMPONENTS TABLE		

ABBREVIATION	COMPONENT
A	CONNECTOR HOUSING KEYING OPTION A
B	CONNECTOR HOUSING KEYING OPTION B
C	CONNECTOR HOUSING KEYING OPTION C
D	CONNECTOR HOUSING KEYING OPTION D

THIS DRAWING CONTAINS INFORMATION THAT IS PROPRIETARY TO MOLEX ELECTRONIC TECHNOLOGIES, LLC AND SHOULD NOT BE USED WITHOUT WRITTEN PERMISSION					
QUALITY SYMBOLS	2017/04/11	2017/06/22	GENERAL TOLERANCES (UNLESS SPECIFIED)	DIMENSION UNITS	SCALE
	DRWN: VYARAPPA	CHKD: KDEKOSKI	ANGULAR TOL ± 3.0 °	MM	
	EC NO: 117908	REV APPR: KDEKOSKI	4 PLACES ±	DRWN BY	DATE
			3 PLACES ±	SKRAJENDRANA	2013/11/06
			2 PLACES ± 0.1	CHKD BY	DATE
			1 PLACE ± 0.2	APPR BY	DATE
			0 PLACES ± 0.5	DRAWING SIZE	THIRD ANGLE PROJECTION
			DRAFT WHERE APPLICABLE MUST REMAIN WITHIN DIMENSIONS	D	
RELEASE STATUS	P1	RELEASE DATE	22.06.2017	19:25:24	
SERIES			MATERIAL NUMBER		CUSTOMER
34899			SEE BOM		GENERAL MARKET
DOCUMENT NUMBER			DOC TYPE	DOC PART	SHEET NUMBER
SD-34899-2001			PSD	001	11 OF 11

TABLE OF CONTENTS

SHEET NO.	SHEET DESCRIPTION
1	NOTES
2	1x4 BLADE SEALED ASSEMBLY KEYING CONFIGURATIONS
3	1x6 BLADE SEALED ASSEMBLY KEYING CONFIGURATIONS
4	CLIP SLOT CONFIGURATIONS
5	BLADE SEALED ASSEMBLY
6	CONNECTION SYSTEM PACKAGING
7	WIRE DRESS COVER INTERFACE OPTIONS
8	1x4 BLADE SEALED ASSEMBLY BOM INTERFACE OPTION 1
9	1x4 BLADE SEALED ASSEMBLY BOM INTERFACE OPTION 2
10	1x6 BLADE SEALED ASSEMBLY BOM INTERFACE OPTION 1
11	1x6 BLADE SEALED ASSEMBLY BOM INTERFACE OPTION 2



NOTES: VALID UNLESS OTHERWISE SPECIFIED

1. GENERAL:
 a. APPLICATION SPECIFICATION SEE: AS-34900-0001
 CONTAINS: PRODUCT INTRODUCTION, PRODUCT SUMMARY, CONNECTOR ASSEMBLY, PACKAGING INFORMATION, CONNECTOR MATING, SERVICE INSTRUCTIONS, ELECTRICAL CONTINUITY CHECKING, CRIMPING, AND TROUBLESHOOTING.
 b. PRODUCT SPECIFICATION SEE: PS-34900-0001
 CONTAINS: PRODUCT INTRODUCTION, PRODUCT SUMMARY, RATINGS (CURRENT, TEMPERATURE, SEALING, AND FLAMMABILITY), AND PRODUCT VALIDATION.
 c. PACKAGING SPECIFICATION PER MOLEX DRAWING: PK-31301-898
 d. PARTS MUST BE IN COMPLIANCE TO MOLEX CHEMICAL SUBSTANCES FOR PRODUCTS AND PACKAGING SPECIFICATION: QEHS-699000-301
 e. DATA MUST BE SUBMITTED UNDER THE MOLEX PART NUMBER TO IMDS (COMPANY ID#13255)

2. DESIGN - MATERIALS:
 a. SEE BOM TABLE

3. DESIGN - GEOMETRY:
 a. THIS IS A 100% CAD GENERATED PART. THE CAD MATHEMATICAL DATA IS THE MASTER FOR THIS PART. FOR DIMENSIONAL OR ANY INFORMATION NOT SHOWN ON THIS DRAWING, ANALYZE THE CAD MODEL.
 b. GEOMETRIC DIMENSIONS AND TOLERANCES PER ASME Y14.5M - 1994
 c. EDGES AND UNDIMENSIONED DETAILS PER ISO13715
 d. CORNERS SHOWN AS SHARP TO BE R 0.2 MAX.
 e. LETTERING SHALL BE 0.15 MAX RAISED IN 0.25 MAX RECESS PAD. THIS INCLUDES RECYCLING CODE, CAVITY ID, VENDOR IDENTIFICATION, AND CUSTOMER MATERIAL NUMBER.
 f. VISUAL DEFECTS SHALL MEET COSMETIC STANDARD PS-45499-002 (Class B)

g. LASER MARKING:
 1. PART NUMBER
 2. DAY OF THE YEAR
 3. SHIFT
 4. YEAR

B15	UPDATED BALLOONS 2-1 & 2-2 ON SHEET 7
B14	UPDATED PARTS TO SALEABLE
B13	RELEASED PRIMARY KEYS NON-SIR SALEABLE
B12	UPDATED PLR LOCK UP GEOMETRY
B11	UPDATED WDC INTERFACE PART# TO TOOLED BUT NOT VALIDATED
B10	UPDATED TOLERANCES WDC FEATURES
B9	1X4, 1X6 PART # WIRE DRESS COVER INTERFACE FEATURES OK TO TOOL
B8	1X4 40G CLIP-SLOT OK TO TOOL
B7	1X4 PART # UPDATED TO 'TOOLED BUT NOT VALIDATED'
B6	ADDED 40G CLIP-SLOT PART NUMBERS
B5	BOM CORRECTIONS AND UPDATES
B4	BOM CORRECTIONS AND UPDATES
B3	1x4, 1x6 NON-SIR PART# OK TO TOOL
B2	1x6 11mm CLIP SLOT PART # OK TO TOOL
B1	1x6 11mm CLIP SLOT PART NUMBERS ADDED
B	ADDED 1x4 INFORMATION
A	OK TO TOOL
REV	DESCRIPTION

INSPECTION BALLOON NUMBER LOG

PER DRAWING REVISION: B12

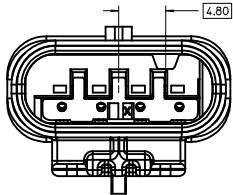
LAST BALLOON NUMBER USED: WDC2-10

ADDED BALLOON NUMBERS: WDC2-1 - WDC2-10

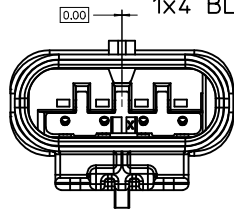
REMOVED BALLOON NUMBERS:

ENTER DESCRIPTION EEC NO: UAU2016-1803 DRAWN: KOWALSKI CHKD: APPR: KOWALSKI DATE: 2016/06/01 2016/06/15 B15	QUALITY SYMBOLS	GENERAL TOLERANCES (UNLESS SPECIFIED):	DIMENSION STYLE	SCALE	DESIGN UNITS	THIRD ANGLE PROJECTION	TITLE	DOCUMENT NO.	SHEET NO.
	▽=0	4 PLACES ±--- mm ±--- INCH	MM ONLY	4:1	METRIC	☉	12MM 1X4, 1X6 BLADE SEALED ASSEMBLY CABLE SEAL	SD-34899-6001	1 OF 11
	▽=0	3 PLACES ±--- mm ±--- INCH							
	▽=0	2 PLACES ±0.10 mm ±--- INCH							
		1 PLACE ±0.20 mm ±--- INCH							
		0 PLACE ±0.50 mm ±--- INCH							
		ANGULAR ± 3 °							
		DRAFT WHERE APPLICABLE MUST REMAIN WITHIN DIMENSIONS							
			MATERIAL NO.	SIZE					
			SEE BOM	D					

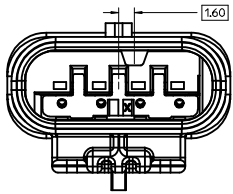
1x4 BLADE SEALED ASSEMBLY KEYING CONFIGURATIONS. FOR PART NUMBERS REFER TO BOM SHEET.



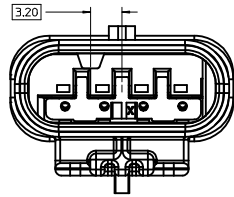
KEYING OPTION A



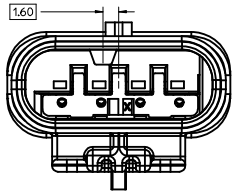
KEYING OPTION F



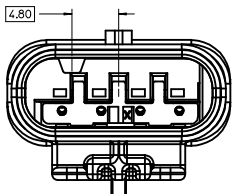
KEYING OPTION B



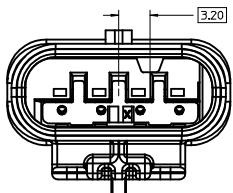
KEYING OPTION G



KEYING OPTION C



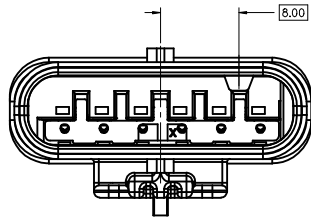
KEYING OPTION D



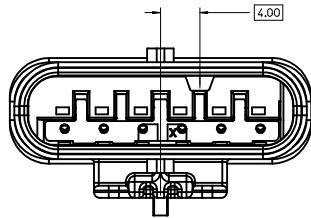
KEYING OPTION E

ENTER DESCRIPTION EC NO: UAU2016-1803 DRAWN: KOWALSKI 2016/06/07 CHKD: CHYD APPR: KOJEKSKI 2016/06/15 REVISIONS 1 2 3 4 5 6 7 8 9 10 11 12 13 14 15 16 17 18 19 20	QUALITY SYMBOLS	GENERAL TOLERANCES (UNLESS SPECIFIED)	DIMENSION STYLE	SCALE	DESIGN UNITS	THIRD ANGLE PROJECTION	
	$\nabla=0$ $\nabla=0$ $\nabla=0$	mm INCH 4 PLACES ± --- ± --- 3 PLACES ± --- ± --- 2 PLACES ± 0.10 ± --- 1 PLACE ± 0.20 ± --- 0 PLACE ± 0.50 ±	MM ONLY	4:1	METRIC	DRAWN BY: MYANSLAMBROU DATE: 2012/07/13 CHECKED BY: VKOSHY DATE: 2012/07/19 APPROVED BY: VKOSHY DATE: 2012/07/24	TITLE: 12MM 1X4, 1X6 BLADE SEALED ASSEMBLY CABLE SEAL MATERIAL NO: SEE BOM DOCUMENT NO: SD-34899-6001
	ANGULAR ± 3 ° DRAFT WHERE APPLICABLE MUST REMAIN WITHIN DIMENSIONS	SIZE D THIS DRAWING CONTAINS INFORMATION THAT IS PROPRIETARY TO MOLEX INCORPORATED AND SHOULD NOT BE USED WITHOUT WRITTEN PERMISSION	SHEET NO. 2 OF 11				
	moxlex						

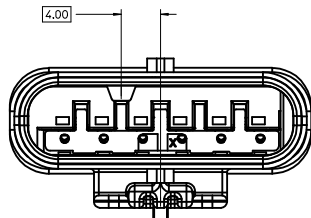
1x6 BLADE SEALED ASSEMBLY KEYING CONFIGURATIONS. FOR PART NUMBERS REFER TO BOM SHEET.



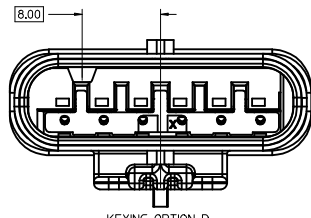
KEYING OPTION A



KEYING OPTION B



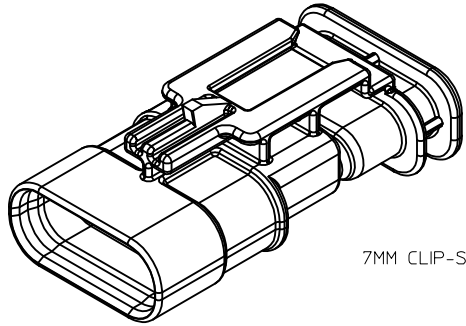
KEYING OPTION C



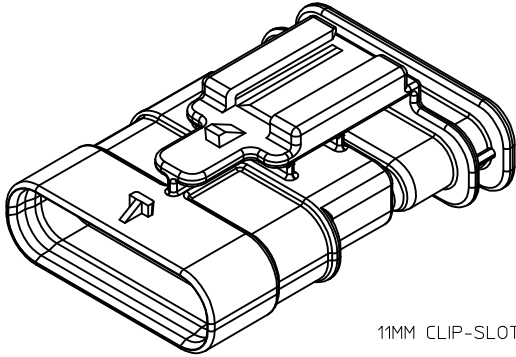
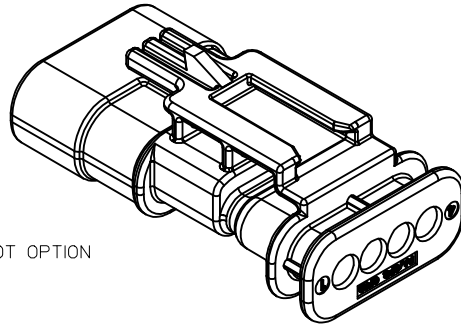
KEYING OPTION D

ENTER DESCRIPTION EC NO: UAU2016-1803 DRAWN: KOKOMALSKY 2016/06/07 CHKD: CHYD APPR: KOKOSKI 2016/06/15 REV: DESCRIPTION	QUALITY SYMBOLS ▽=0 ▽=0 ▽=0		GENERAL TOLERANCES (UNLESS SPECIFIED) mm INCH 4 PLACES ± --- ± --- 3 PLACES ± --- ± --- 2 PLACES ± 0.10 ± --- 1 PLACE ± 0.20 ± --- 0 PLACE ± 0.50 ±		DIMENSION STYLE MM ONLY		SCALE 4:1	DESIGN UNITS METRIC	THIRD ANGLE PROJECTION
	DRAFT WHERE APPLICABLE MUST REMAIN WITHIN DIMENSIONS		ANGULAR ± 3 °		MATERIAL NO. SEE BOM		DOCUMENT NO. SD-34899-6001		SHEET NO. 3 OF 11
	DRAWN BY MYANSLAMBROU 2012/07/13		CHECKED BY VKOSHY 2012/07/19		APPROVED BY VKOSHY 2012/07/24		TITLE 12MM 1X4, 1X6 BLADE SEALED ASSEMBLY CABLE SEAL		molex
	SIZE D		THIS DRAWING CONTAINS INFORMATION THAT IS PROPRIETARY TO MOLEX INCORPORATED AND SHOULD NOT BE USED WITHOUT WRITTEN PERMISSION						

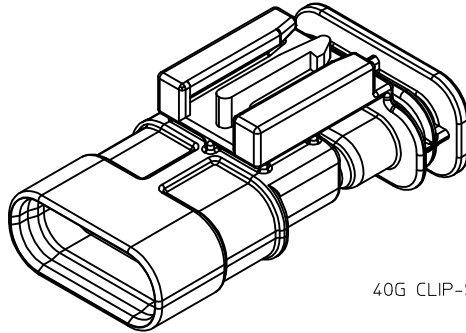
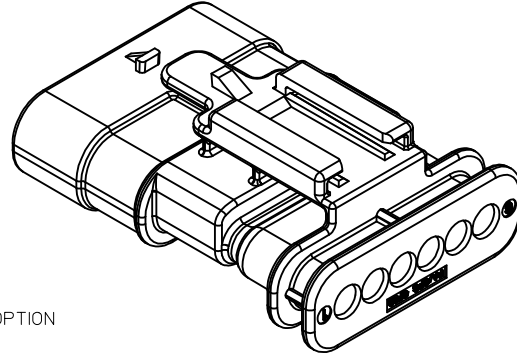
CLIP-SLOT CONFIGURATIONS. FOR PART NUMBERS REFER TO BOM SHEET.



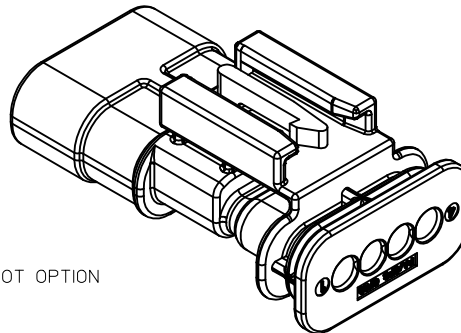
7MM CLIP-SLOT OPTION



11MM CLIP-SLOT OPTION

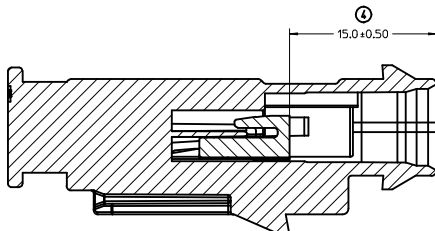
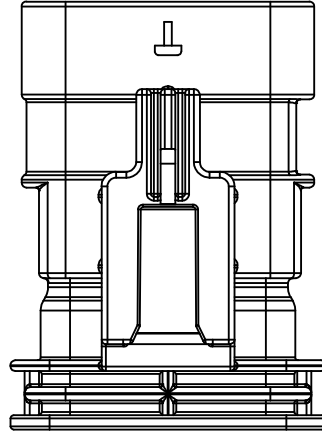
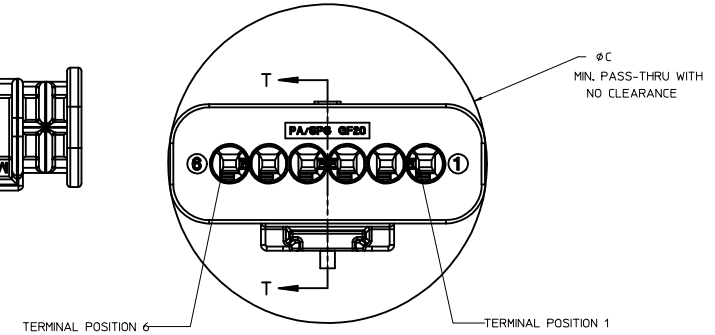
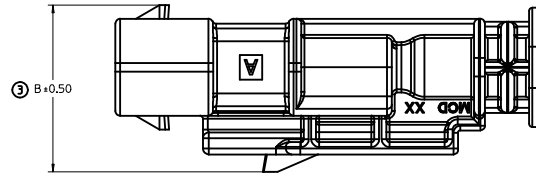
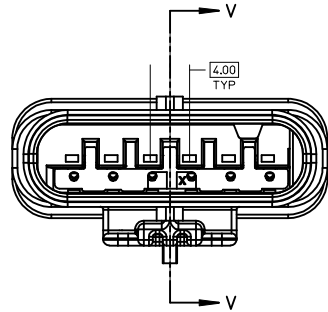
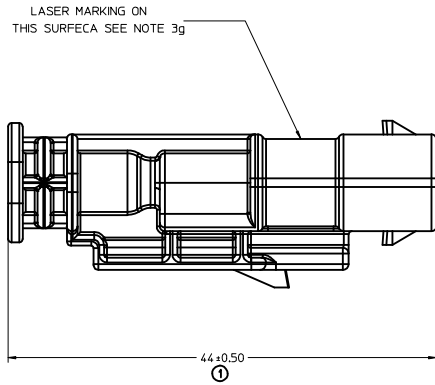


40G CLIP-SLOT OPTION

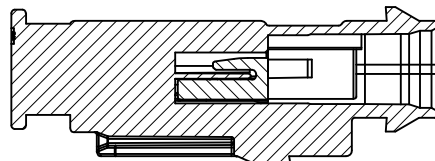


ENTER DESCRIPTION EC NO: UAU2016-1803 DRAWN/KOMALSKY 2016/06/01 CHKD: APPR:KIEKOSKI 2016/06/15 REV:	QUALITY SYMBOLS	GENERAL TOLERANCES (UNLESS SPECIFIED)		DIMENSION STYLE	SCALE	DESIGN UNITS	THIRD ANGLE PROJECTION
	▽=0	mm	INCH	MM ONLY	4:1	METRIC	☉
	▽=0	4 PLACES ± ---	± ---	DRAWN BY MYANSLAMBROU 2012/07/13		DATE	
	▽=0	3 PLACES ± ---	± ---	CHECKED BY VKOSHY 2012/07/19		DATE	
	ANGULAR ± 3 °	DRAFT WHERE APPLICABLE MUST REMAIN WITHIN DIMENSIONS		APPROVED BY VKOSHY 2012/07/24		DATE	
				MATERIAL NO. SEE BOM		DOCUMENT NO. SD-34899-6001	
				SIZE D		SHEET NO. 4 OF 11	
				THIS DRAWING CONTAINS INFORMATION THAT IS PROPRIETARY TO MOLEX INCORPORATED AND SHOULD NOT BE USED WITHOUT WRITTEN PERMISSION			

BLADE SEALED ASSEMBLY



SECTION V-V



SECTION T-T

PRIMARY LOCK REINFORCEMENT (PLR) SHOWN IN THE PRE-STAGED POSITION

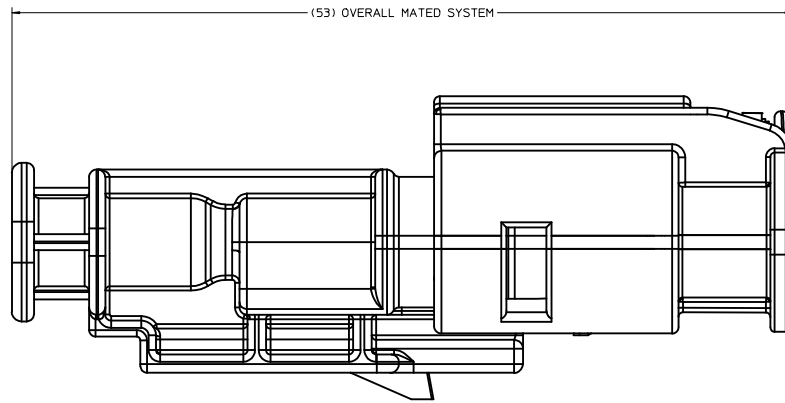
PRIMARY LOCK REINFORCEMENT (PLR) SHOWN IN THE FINAL-LOCK POSITION

1x6 BLADE SEALED ASSEMBLY, 40G CLIP SLOT	17.5	32.75
1x6 BLADE SEALED ASSEMBLY, 11mm CLIP SLOT	16	32.75
1x6 BLADE SEALED ASSEMBLY, 7mm CLIP SLOT	17.25	32.75
1x4 BLADE SEALED ASSEMBLY, 40G CLIP SLOT	17.5	25.25
1x4 BLADE SEALED ASSEMBLY, 11mm CLIP SLOT	16	24.75
1x4 BLADE SEALED ASSEMBLY, 7mm CLIP SLOT	17.25	24.75
CONFIGURATION	B	C

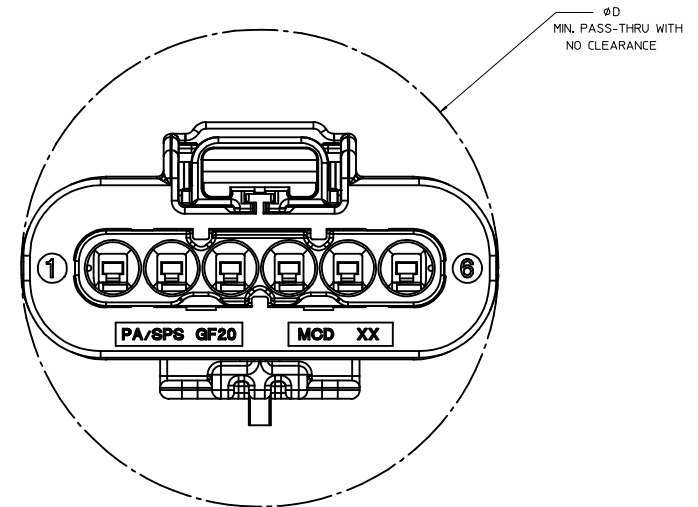
CHARTED DIMENSIONS

ENTER DESCRIPTION EC NO. UAU2016-1803 DRAWN: KOKALSKY 2016/06/01 CHKD: APPR: KOKOSKI 2016/06/15	QUALITY SYMBOLS	GENERAL TOLERANCES (UNLESS SPECIFIED)	DIMENSION STYLE	SCALE	DESIGN UNITS	THIRD ANGLE PROJECTION
	∇=0 ∇=0 ∇=0	mm INCH 4 PLACES ± --- ± --- 3 PLACES ± --- ± --- 2 PLACES ± 0.10 ± --- 1 PLACE ± 0.20 ± --- 0 PLACE ± 0.50 ±	MM ONLY	4:1	METRIC	
	DRAFT WHERE APPLICABLE MUST REMAIN WITHIN DIMENSIONS	ANGULAR ± 3 °	DRAWN BY DATE MYANSLAMBROU 2012/07/13 CHECKED BY DATE VKOSHY 2012/07/19 APPROVED BY DATE VKOSHY 2012/07/24	MATERIAL NO. SEE BOM	DOCUMENT NO. SD-34899-6001	SHEET NO. 5 OF 11
	TITLE 12MM 1X4, 1X6 BLADE SEALED ASSEMBLY CABLE SEAL 					

CONNECTION SYSTEM PACKAGING



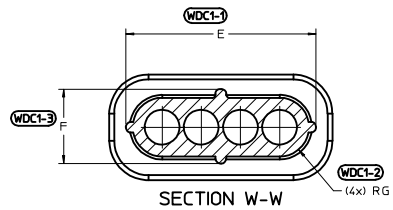
MODEL USED 'AM-120-S-006-1-Z01'



1x6 RECEPTACLE MATED TO 1x6 BLADE, 40 CLIP SLOT	TBD
1x6 RECEPTACLE MATED TO 1x6 BLADE, 11mm CLIP SLOT	33.5
1x6 RECEPTACLE MATED TO 1x6 BLADE, 7mm CLIP SLOT	33.5
1x4 RECEPTACLE MATED TO 1x4 BLADE, 40G CLIP SLOT	25.50
1x4 RECEPTACLE MATED TO 1x4 BLADE, 11mm CLIP SLOT	25.50
1x4 RECEPTACLE MATED TO 1x4 BLADE, 7mm CLIP SLOT	25.50
1.2mm CONNECTION SYSTEM CONFIGURATION	D

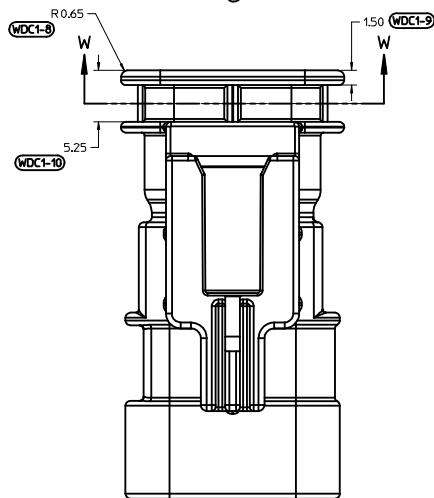
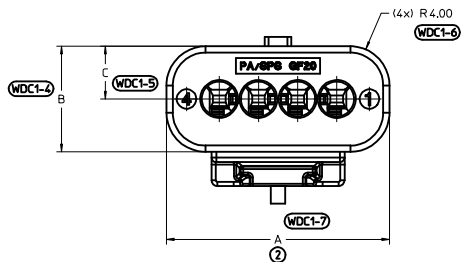
CHARTED DIMENSIONS

ENTER DESCRIPTION EC NO: UAU2016-1803 DRAWN BY: DRW/KOMALSKY 2016/06/01 CHKD: CHYD APPR: KOEKOGLI 2016/06/15 REV: DESCRIPTION	QUALITY SYMBOLS	GENERAL TOLERANCES (UNLESS SPECIFIED)	DIMENSION STYLE	SCALE	DESIGN UNITS	THIRD ANGLE PROJECTION
	▽=0	mm INCH	MM ONLY	6:1	METRIC	☉
	▽=0	4 PLACES ± --- ± ---	DRAWN BY: MYANSLAMBROU 2012/07/13	DATE	TITLE	12MM 1X4, 1X6 BLADE SEALED ASSEMBLY CABLE SEAL
	▽=0	3 PLACES ± 0.10 ± ---	CHECKED BY: VKOSHY 2012/07/19	DATE	APPROVED BY: VKOSHY 2012/07/24	DATE
		ANGULAR ± 3 °	MATERIAL NO. SEE BOM	DOCUMENT NO. SD-34899-6001	SHEET NO. 6 OF 11	
		DRAFT WHERE APPLICABLE MUST REMAIN WITHIN DIMENSIONS	SIZE D	THIS DRAWING CONTAINS INFORMATION THAT IS PROPRIETARY TO MOLEX INCORPORATED AND SHOULD NOT BE USED WITHOUT WRITTEN PERMISSION		

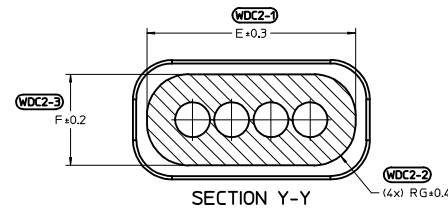


6 CIRCUIT	30.8	10.8	5.4	27.4	7.6	3.0
4 CIRCUIT	22.8	10.8	5.4	19.4	7.6	3.0
CONFIGURATION	A	B	C	E	F	G

CHARTED DIMENSIONS

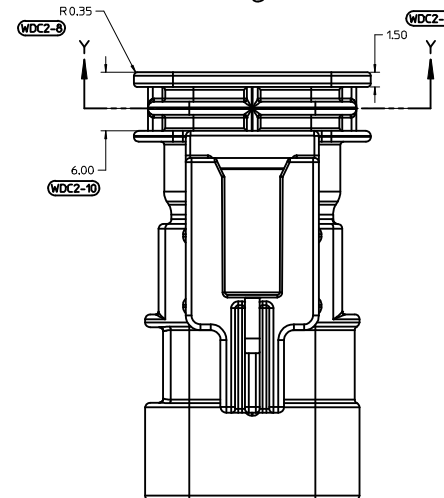
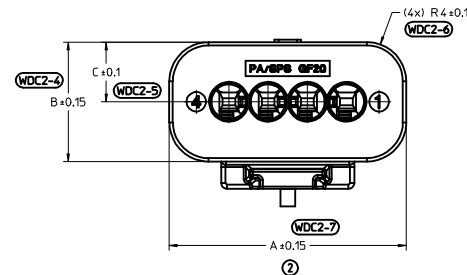


WIRE DRESS COVER
INTERFACE OPTION 1
WIRE DRESS COVERS
NOT AVAILABLE



6 CIRCUIT	32.2	12.2	6.1	29.3	9.3	4.2
4 CIRCUIT	24.2	12.2	6.1	21.3	9.3	4.2
CONFIGURATION	A	B	C	E	F	G

CHARTED DIMENSIONS



WIRE DRESS COVER
INTERFACE OPTION 2
BASED ON HIRSCHMANN INTERFACE
DRAWING 808-012-xxx REV B5

ENTER DESCRIPTION EC NO. UAU2016-1803 DRAWN BY KOWALSKI 2016/06/01 CHKD: APPR: KOKOSKI 2016/06/15	QUALITY SYMBOLS ∇=0 ∇=0 ∇=0	GENERAL TOLERANCES (UNLESS SPECIFIED)		DIMENSION STYLE MM ONLY	SCALE 4:1	DESIGN UNITS METRIC	THIRD ANGLE PROJECTION
		4 PLACES ± --- ± --- 3 PLACES ± --- ± --- 2 PLACES ± 0.10 ± --- 1 PLACE ± 0.20 ± --- 0 PLACE ± 0.50 ±	mm INCH	DRAWN BY DATE MYANSLAMBROU 2012/07/13	TITLE 12MM 1X4, 1X6 BLADE SEALED ASSEMBLY CABLE SEAL		
		ANGULAR ± 3 ° DRAFT WHERE APPLICABLE MUST REMAIN WITHIN DIMENSIONS		APPROVED BY DATE VKOSHY 2012/07/19	MATERIAL NO. SEE TABLE	DOCUMENT NO. SD-34899-6001	SHEET NO. 7 OF 11
		SIZE D		APPROVED BY DATE VKOSHY 2012/07/24			

